

NIMS GUIDE TO THE A34 ENCOUNTER

Original: October 2002

Revised: October 2021

Table of Contents

	Pages
Introduction	3
Galileo A34 trajectory graphic	4
NIMS Encounter Sequence	5-24
NIMS Downlink Sequence	25-41
Jupiter System Encounter Geometry	42
113 Almathea Encounter Trajectory.....	46-47
Io views, orthographic projection	48-58
Jupiter Groundtrack at Closest Approach	60
Io views Before and After Closest Approach ...	61-85

Introduction

This Guide shows preliminary planning of operations for the Near Infrared Mapping Spectrometer (NIMS) for the A34 Orbit, named after the Galileo encounter of 5 November 2002 with 113 Almathea. Galileo flew within 250 km of 113 Almathea.

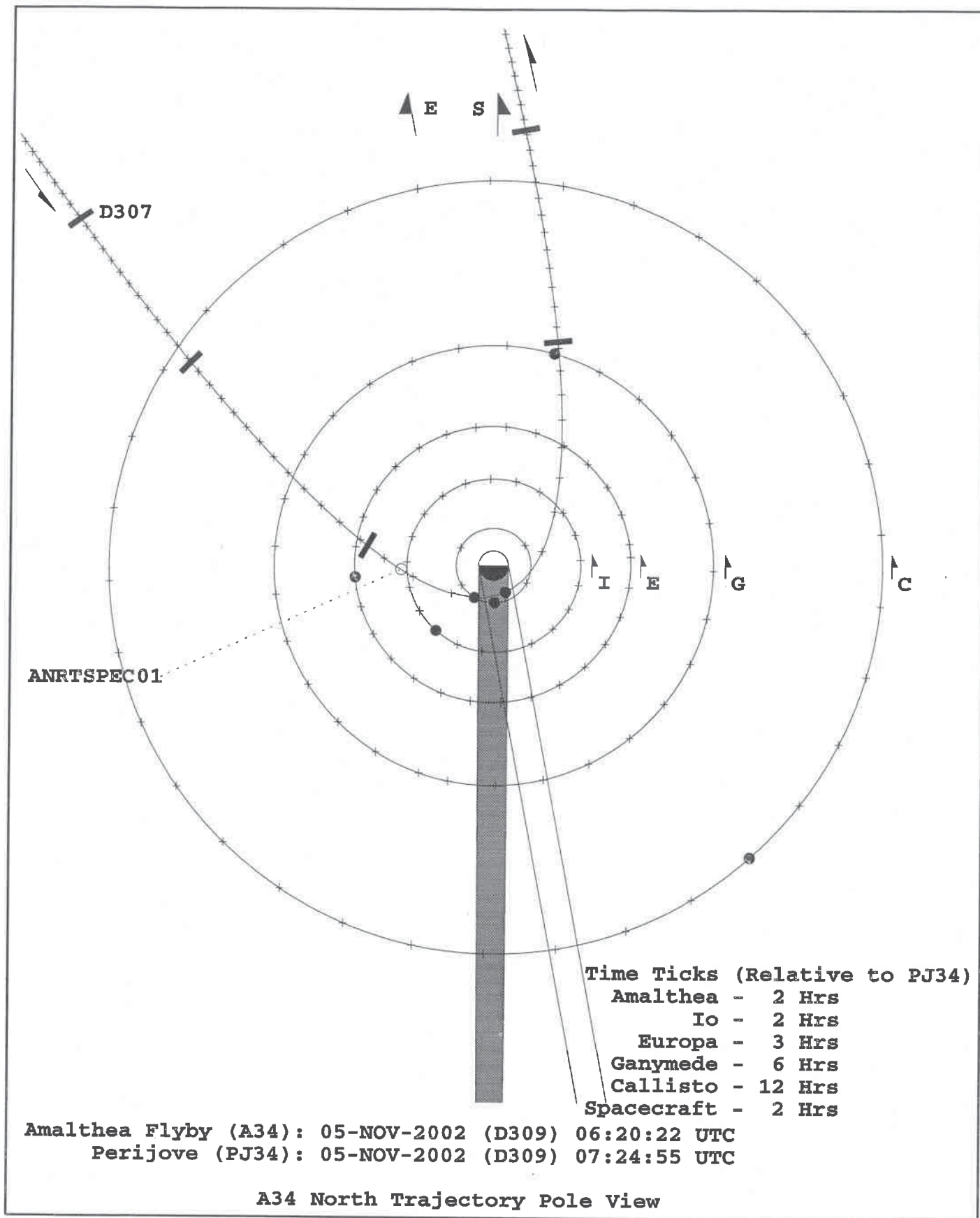
The Guide is incomplete as more detailed observation planning ended when the decision not to return any imaging data from the Encounter was made. This Guide nevertheless serves as an important historical record from the final days of the Galileo mission.

To our knowledge, no accessible postscript files exist of this document. This Guide file was created from the sole remaining paper copy of the A34 Encounter Guide, and, as such, includes pencil and pen annotations on some pages and on some figures. As the pages were scanned, the PDF of the Guide is not searchable.

For more information on the NIMS instrument, please refer to the NIMS instrument paper: R.W. Carlson, P.R. Weissman, W.D. Smythe, J.C. Mahoney and the NIMS Science and Engineering Teams, "Near-infrared Mapping Spectrometer Experiment on Galileo", Space Science Reviews, Vol 60, pp 457-502, 1992.

Ashley Gerard Davies and Frank Leader
Jet Propulsion Laboratory
October 2021

NIMS A34 OBSERVATIONS



Line	YR	DOY	SCET - GMT	Sequence:	A34AHG	Command	Parameters	Description	GCM	GO	GS	RIM	MF I
Begin: 02-306/10:00:00 Finish: 02-313/10:00:00													
Created: 10/17/02													
1	2	306	10:00:00.000		PSID	40HRPR	Initial Condition	RCT Heater OFF (primary relay)	200	4	0	6,800,483:86:7	
2	2	306	10:00:00.000		20A3FD	40T1PR	Initial Condition	PCT Heater 1 OFF (primary relay)	200	4	0	6,800,483:86:7	
3	2	306	10:00:00.000		20A3FE	40T2R	Initial Condition	PCT Heater 2 OFF	200	4	0	6,800,483:86:7	
4	2	306	10:00:00.000		20A3FF	37F1PR	Initial Condition	Radiator Flash Heater OFF (primary relay)	200	4	0	6,800,483:86:7	
5	2	306	10:00:00.000		20A3FA	37C2PR	Initial Condition	Optics Heater 2 OFF (primary relay)	200	4	0	6,800,483:86:7	
6	2	306	10:00:00.000		20A3EZ	37F2PR	Initial Condition	Shield Flash Heater OFF (primary relay)	200	4	0	6,800,483:86:7	
7	2	306	10:00:00.000		20A3FB	37A	Initial Condition	NIMS Power ON	200	4	0	6,800,483:86:7	
8	2	306	10:00:00.000		20A3EW	37HR	Initial Condition	Replacement Heaters OFF	200	4	0	6,800,483:86:7	
9	2	306	10:00:00.000		20A3EX	37C1PR	Initial Condition	Optics Heater 1 OFF (primary relay)	200	4	0	6,800,483:86:7	
10	2	306	10:00:00.200		20A3EY	DMS:	: READY	RDY, TRACK 4, REV, TIC 5551.47 +/-	200	4	0	6,800,483:86:7	
11	2	306	10:01:00.866		20OA6A	6HICON			200	4	0	6,800,484:87:0	
12	2	306	10:01:42.866		488AA6A	6TMSED	NORM,AL4	Sci, Eng, and D/L Chan	200	4	0	6,800,485:59:0	
13	2	306	10:02:03.533		432JA431A6A	6RCDSL	DDSNCG,PLSDSL,EP	Record Deselect (DDS o	200	4	0	6,800,485:90:0	
14	2	306	10:02:04.200		432JA6B	6RTSL2	NIMNCG,AACSEL,RT	AACS SELECT	200	4	0	6,800,486:00:0	
15	2	306	10:02:04.200		432JA6A	6RTSL1		R/T Select of DDS and	200	4	0	6,800,486:00:0	
16	2	306	11:00:00.200		488AA6D	6TMSED	NORM,AH4	Sci, Eng, and D/L Chan	200	4	0	6,800,543:27:0	
17	2	306	15:02:04.133		20RO6B	6RTSL1		R/T Select of DDS and	200	4	0	6,800,782:64:0	
18	2	306	15:22:21.466		488AA6E	6TMSED	FILL,AH4	Sci, Eng, and D/L Chan	200	4	0	6,800,802:70:0	
19	2	306	15:30:14.800		488AB6A	6TMSED	FILL,AH1	Sci, Eng, and D/L Chan	200	4	0	6,800,810:52:0	
20	2	306	15:57:44.800		488AB6B	6TMSED	NORM,AH1	Sci, Eng, and D/L Chan	200	4	0	6,800,837:70:0	
21	2	306	16:06:30.800		488AB6C	6TMSED	NORM,AH4	Sci, Eng, and D/L Chan	200	4	0	6,800,846:40:0	
22	2	306	16:21:26.800		488AB6D	6TMSED	NORM,AH5	Sci, Eng, and D/L Chan	200	4	0	6,800,861:19:0	
23	2	306	16:53:24.800		488AB6E	6TMSED	FILL,AH5	Sci, Eng, and D/L Chan	200	4	0	6,800,892:75:0	
24	2	306	17:22:30.800		488AC6A	6TMSED	NORM,AH5	Sci, Eng, and D/L Chan	200	4	0	6,800,921:55:0	
25	2	306	20:00:00.133		488AC6B	6TMSED	NORM,AL5	Sci, Eng, and D/L Chan	200	4	0	6,801,077:33:0	
26	2	306	20:19:48.133		488AC6C	6TMSED	FILL,AL5	Sci, Eng, and D/L Chan	200	4	0	6,801,096:86:0	
27	2	306	20:24:38.800		488AC6D	6TMSED	FILL,AL2	Sci, Eng, and D/L Chan	200	4	0	6,801,101:67:0	
28	2	307	00:01:46.133		488AD6A	6TMSED	NORM,AL2	Sci, Eng, and D/L Chan	200	4	0	6,801,316:43:0	
29	2	307	00:06:30.800		488AD6B	6TMSED	NORM,AL3	Sci, Eng, and D/L Chan	200	4	0	6,801,321:15:0	
30	2	307	00:29:36.133			DMS:	: *US-RUNUP	P7, TRACK *1, *FWD, TIC 5551.47 +/-	200	4	0	6,801,344:00:0	
31	2	307	00:29:36.133			DMS:	: *SLEW-TIC	P7, TRACK *2, REV, TIC 5551.47 +/-	200	4	0	6,801,344:00:0	
32	2	307	00:29:36.133		465KA6A	6DMST		DMS Slew to TIC	200	4	0	6,801,344:00:0	
33	2	307	00:29:37.533			DMS:	: *US_AT_SP	P7, TRACK 1, FWD, TIC *5551.59 +/-	200	4	0	6,801,344:02:1	
34	2	307	00:29:42.800			DMS:	: *US_RD	P7, TRACK 1, FWD, TIC *5552.82 +/-	200	4	0	6,801,344:10:0	
35	2	307	00:29:44.000			DMS:	: *RUNUP	P7, TRACK *2, *REV, TIC *5552.88 +/-	200	4	0	6,801,344:11:8	
36	2	307	00:29:45.400			DMS:	: *AT_SPD	P7, TRACK 2, REV, TIC *5552.76 +/-	200	4	0	6,801,344:13:9	
37	2	307	00:38:44.933			DMS:	: *RUNDOWN	P7, TRACK 2, REV, TIC *5426.06 +/-	200	4	0	6,801,353:04:2	
38	2	307	00:38:46.133			DMS:	: *READY	RDY, TRACK 2, REV, TIC *5426.00 +/-	200	4	0	6,801,353:06:0	
39	2	307	00:42:46.800		488AD6C	6TMSED	NORM,AL4	Sci, Eng, and D/L Chan	200	4	0	6,801,357:03:0	
40	2	307	01:00:00.133		480DA6A	6MROH	12,20ED,0,A2	read from LLM1A12,20ED,0,A2	200	4	0	6,801,374:06:0	
41	2	307	01:06:40.133		480DA6B	6MROH	12,20ED,0,A2	read from LLM1A12,20ED,0,A2	200	4	0	6,801,380:60:0	
42	2	307	01:20:36.133		488AD6D	6TMSED	FILL,AL4	Sci, Eng, and D/L Chan	200	4	0	6,801,394:40:0	
43	2	307	01:54:15.466		488AD6E	6TMSED	NORM,AL4	Sci, Eng, and D/L Chan	200	4	0	6,801,427:66:0	
44	2	307	03:02:04.133		20RP6B	6RTSL1		R/T Select of DDS and	200	4	0	6,801,494:72:0	
45	2	307	03:37:27.466		488AE6A	6TMSED	FILL,AL4	Sci, Eng, and D/L Chan	200	4	0	6,801,529:72:0	

Line	YR	DOY	SCET - GMT	PSID	Command Parameters	Description	GCM	GO	GS	RIM	MF I
46	2	307	03:44:06.800	488AE6B	6TMSED FILL,AL3	Sci, Eng, and D/L Chan	200	4	0	6,801,536:34:0	
47	2	307	06:46:44.800		DMS: : READY	RDY, TRACK *4, REV, TIC 5426.00 +/-	200	4	0	6,801,717:00:0	
48	2	307	06:46:44.800	465KB6A	6DMSC RDY,4	DMS Control Tape stop	200	4	0	6,801,717:00:0	
49	2	307	06:49:46.800	411JA6A	6DMSC R7,0	DMS Control Tape runup 7.68kps	200	4	0	6,801,720:00:0	
50	2	307	06:49:46.800		DMS: : *US-RUNUP	P7, TRACK *1, *FWD, TIC 5426.00 +/-	200	4	0	6,801,720:02:1	
51	2	307	06:49:48.200		DMS: : *US_AT_SP	P7, TRACK 1, FWD, TIC *5426.12 +/-	200	4	0	6,801,720:10:0	
52	2	307	06:49:53.466		DMS: : *US_RD	P7, TRACK 1, FWD, TIC *5427.35 +/-	200	4	0	6,801,720:11:8	
53	2	307	06:49:54.666		DMS: : *RUNUP	R7, TRACK *4, *REV, TIC *5427.41 +/-	200	4	0	6,801,720:13:9	
54	2	307	06:49:56.066		DMS: : *RECORD	R7, TRACK 4, REV, TIC *5427.29 +/-	200	4	0	6,801,720:13:9	
55	2	307	06:49:56.066		DMS: : *AT_SPD	R7, TRACK 4, REV, TIC 5427.29 +/-	200	4	0	6,801,720:13:9	
56	2	307	06:49:56.800	411JA6B	6TMREC BDT	7.68 KBPS BUFFER DUMP TO TAPE Record Mode	200	4	0	6,801,722:15:0	
57	2	307	06:51:58.133	411JA6C	6TMREC NRC	NO RECORD Record Mode Change	200	4	0	6,801,722:15:0	
58	2	307	06:52:00.800	175TY176A6A	6TMREC LPW	7.68 KBPS LOW RATE SCI PWS RECORD Record	200	4	0	6,801,722:19:0	
59	2	307	06:52:01.466	175TY422A6A	6DMSC R7,0	DMS Control Tape runup 7.68kps	200	4	0	6,801,722:20:0	
60	2	307	06:52:08.133		DMS: : *RUNDOWN	R7, TRACK 4, REV, TIC *5396.34 +/-	200	4	0	6,801,722:30:0	
61	2	307	06:52:08.133	175TY422A6B	6DMSC RDY,0	DMS Control Tape stop	200	4	0	6,801,722:30:0	
62	2	307	06:52:09.333		DMS: : *READY	RDY, TRACK 4, REV, TIC *5396.28 +/-	200	4	0	6,801,722:31:8	
63	2	307	07:10:00.133	480DB6A	6MROH 12,20ED,0,A2	read from LLM1A12,20ED,0,A2	200	4	0	6,801,740:00:0	
64	2	307	07:16:40.133	480DB6B	6MROH 12,20ED,0,A2	read from LLM1A12,20ED,0,A2	200	4	0	6,801,746:54:0	
65	2	307	07:37:46.800	488AE6C	6TMSED NORM,AL3	Sci, Eng, and D/L Chan	200	4	0	6,801,767:43:0	
66	2	307	07:57:58.800	488AE6D	6TMSED NORM,AL4	Sci, Eng, and D/L Chan	200	4	0	6,801,787:41:0	
67	2	307	08:00:00.133	488AE6E	6TMSED NORM,AH4	Sci, Eng, and D/L Chan	200	4	0	6,801,789:41:0	
68	2	307	09:00:34.133	488AF6A	6TMSED FILL,AH4	Sci, Eng, and D/L Chan	200	4	0	6,801,849:32:0	
69	2	307	09:34:13.466	488AF6B	6TMSED NORM,AH4	Sci, Eng, and D/L Chan	200	4	0	6,801,882:58:0	
70	2	307	10:39:06.800		DMS: : *US-RUNUP	P7, TRACK *1, *FWD, TIC 5396.28 +/-	200	4	0	6,801,946:74:0	
71	2	307	10:39:06.800	175BB422A6A	6DMSC R7,0	DMS Control Tape runup 7.68kps	200	4	0	6,801,946:74:0	
72	2	307	10:39:08.200		DMS: : *US_AT_SP	P7, TRACK 1, FWD, TIC *5396.40 +/-	200	4	0	6,801,946:76:1	
73	2	307	10:39:13.466		DMS: : *US_RD	P7, TRACK 1, FWD, TIC *5397.64 +/-	200	4	0	6,801,946:84:0	
74	2	307	10:39:14.666		DMS: : *RUNUP	R7, TRACK *4, *REV, TIC *5397.70 +/-	200	4	0	6,801,946:85:8	
75	2	307	10:39:15.466	282NA431A6A	6RCSEL DDSNCG,PLSSEL,EP	Record Select (DDS onl)	200	4	0	6,801,946:87:0	
76	2	307	10:39:15.466	175BB176A6A	6TMREC LPW	7.68 KBPS LOW RATE SCI PWS RECORD Record	200	4	0	6,801,946:87:0	
77	2	307	10:39:16.066		DMS: : *AT_SPD	R7, TRACK 4, REV, TIC 5397.58 +/-	200	4	0	6,801,946:87:9	
78	2	307	10:39:16.066		DMS: : *RECORD	R7, TRACK 4, REV, TIC *5397.58 +/-	200	4	0	6,801,946:87:9	
79	2	307	11:24:50.133	431OL6A	6RCSEL DDSNCG,PLSNCG,EP	Record Select (DDS onl)	200	4	0	6,801,947:00:0	
80	2	307	11:24:50.133	432CL431A6A	6RCDSL DDSNCG,PLSNCG,EP	Record Deselect (DDS o	200	4	0	6,801,992:03:0	
81	2	307	11:24:50.800	432CL6A	6RTSL1	R/T Select of DDS and	200	4	0	6,801,992:04:0	
82	2	307	11:25:00.133	175BB422A6B	6DMSC RDY,0	DMS Control Tape stop	200	4	0	6,801,992:18:0	
83	2	307	11:25:00.133		DMS: : *RUNDOWN	R7, TRACK 4, REV, TIC *4754.43 +/-	200	4	0	6,801,992:18:0	
84	2	307	11:25:01.333		DMS: : *READY	RDY, TRACK 4, REV, TIC *4754.38 +/-	200	4	0	6,801,992:19:8	
85	2	307	11:30:00.133	480DC6A	6MROH 12,20ED,0,A10	read from LLM1A12,20ED,0,A1	200	4	0	6,801,997:13:0	
86	2	307	11:31:20.133	480DC6B	6MROH 12,20ED,0,A10	read from LLM1A12,20ED,0,A1	200	4	0	6,801,998:42:0	
87	2	307	15:02:04.133	20RQ6B	6RTSL1	R/T Select of DDS and	200	4	0	6,802,206:80:0	
88	2	307	15:27:16.800	175BC422A6A	6DMSC R7,0	DMS Control Tape runup 7.68kps	200	4	0	6,802,231:74:0	
89	2	307	15:27:16.800		DMS: : *US-RUNUP	P7, TRACK *1, *FWD, TIC 4754.38 +/-	200	4	0	6,802,231:74:0	
90	2	307	15:27:18.200		DMS: : *US_AT_SP	P7, TRACK 1, FWD, TIC *4754.49 +/-	200	4	0	6,802,231:76:1	
91	2	307	15:27:23.466		DMS: : *US_RD	P7, TRACK 1, FWD, TIC *4755.73 +/-	200	4	0	6,802,231:84:0	
92	2	307	15:27:24.666		DMS: : *RUNUP	R7, TRACK *4, *REV, TIC *4755.79 +/-	200	4	0	6,802,231:85:8	

Line	YR	DOY	SCET - GMT	PSID	Command	Parameters	Description	GCM	GO	GS	RIM	MF I
93	2	307	15:27:25.466	175BC176A6A	6TMREC	LPW	7.68 KBPS LOW RATE SCI PWS RECORD	200	4	0	6,802,231:87:0	
94	2	307	15:27:26.066		DMS:	: *RECORD	Record	200	4	0	6,802,231:87:9	
95	2	307	15:27:26.066		DMS:	: *AT_SPD	R7, TRACK 4, REV, TIC *4755.67 +/-	200	4	0	6,802,231:87:9	
96	2	307	15:27:28.133	4310A6A	6RCSEL	DDSNCG,PLSNCG,EP	Record Select (DDS onl)	200	4	0	6,802,232:00:0	
97	2	307	15:30:14.800	488AG6A	6TMSED	NORM,AH3	Sci, Eng, and D/L Chan	200	4	0	6,802,234:68:0	
98	2	307	16:02:14.800	488AG6B	6TMSED	NORM,AH4	Sci, Eng, and D/L Chan	200	4	0	6,802,266:36:0	
99	2	307	16:13:00.133	4320A431A6A	6RCDSL	DDSNCG,PLSNCG,EP	Record Deselect (DDS o	200	4	0	6,802,277:03:0	
100	2	307	16:13:00.800	4320A6A	6RTSL1		R/T Select of DDS and	200	4	0	6,802,277:04:0	
101	2	307	16:13:10.133		DMS:	: *RUNDOWN	R7, TRACK 4, REV, TIC *4112.53 +/-	200	4	0	6,802,277:18:0	
102	2	307	16:13:10.133	175BC422A6B	6DMSC	RDY,0	DMS Control Tape stop	200	4	0	6,802,277:18:0	
103	2	307	16:13:11.333		DMS:	: *READY	RDY, TRACK 4, REV, TIC *4112.47 +/-	200	4	0	6,802,277:19:8	
104	2	307	16:30:00.133	480DD6A	6MROH	12,20ED,0,A10	read from LLM1A12,20ED,0,A1	200	4	0	6,802,293:77:0	
105	2	307	16:31:20.133	480DD6B	6MROH	12,20ED,0,A10	read from LLM1A12,20ED,0,A1	200	4	0	6,802,295:15:0	
106	2	307	17:05:33.466	488AG6C	6TMSED	FILL,AH4	Sci, Eng, and D/L Chan	200	4	0	6,802,329:01:0	
107	2	307	17:49:12.133	488AG6D	6TMSED	NORM,AH4	Sci, Eng, and D/L Chan	200	4	0	6,802,372:16:0	
108	2	307	19:00:00.133	488AG6E	6TMSED	NORM,AL4	Sci, Eng, and D/L Chan	200	4	0	6,802,442:18:0	
109	2	307	19:22:30.800	488AH6A	6TMSED	FILL,AL4	Sci, Eng, and D/L Chan	200	4	0	6,802,464:42:0	
110	2	307	19:29:10.800	488AH6B	6TMSED	FILL,AL3	Sci, Eng, and D/L Chan	200	4	0	6,802,471:05:0	
111	2	307	20:38:42.133		DMS:	: *US-RUNUP	P7, TRACK *1, *FWD, TIC 4112.47 +/-	200	4	0	6,802,539:74:0	
112	2	307	20:38:42.133	175BD422A6A	6DMSC	R7,0	DMS Control Tape runup 7.68kps	200	4	0	6,802,539:74:0	
113	2	307	20:38:43.533		DMS:	: *US_AT_SP	P7, TRACK 1, FWD, TIC *4112.59 +/-	200	4	0	6,802,539:76:1	
114	2	307	20:38:48.800		DMS:	: *US_RD	P7, TRACK 1, FWD, TIC *4113.82 +/-	200	4	0	6,802,539:84:0	
115	2	307	20:38:50.000		DMS:	: *RUNUP	P7, TRACK *4, *REV, TIC *4113.88 +/-	200	4	0	6,802,539:85:8	
116	2	307	20:38:50.800	175BD176A6A	6TMREC	LPW	7.68 KBPS LOW RATE SCI PWS RECORD	200	4	0	6,802,539:87:0	
117	2	307	20:38:51.400		DMS:	: *AT_SPD	R7, TRACK 4, REV, TIC 4113.76 +/-	200	4	0	6,802,539:87:9	
118	2	307	20:38:51.400		DMS:	: *RECORD	R7, TRACK 4, REV, TIC *4113.76 +/-	200	4	0	6,802,539:87:9	
119	2	307	20:38:53.466	4310B6A	6RCSEL	DDSNCG,PLSNCG,EP	Record Select (DDS onl)	200	4	0	6,802,540:00:0	
120	2	307	21:02:04.133	20RR6B	6RTSL1		R/T Select of DDS and	200	4	0	6,802,562:84:0	
121	2	307	21:24:25.466	432BO431A6A	6RCDSL	DDSNCG,PLSNCG,EP	Record Deselect (DDS o	200	4	0	6,802,585:03:0	
122	2	307	21:24:26.133	432BO6A	6RTSL1		R/T Select of DDS and	200	4	0	6,802,585:04:0	
123	2	307	21:24:35.466	175BD422A6B	6DMSC	RDY,0	DMS Control Tape stop	200	4	0	6,802,585:18:0	
124	2	307	21:24:35.466		DMS:	: *RUNDOWN	R7, TRACK 4, REV, TIC *3470.62 +/-	200	4	0	6,802,585:18:0	
125	2	307	21:24:36.666		DMS:	: *READY	RDY, TRACK 4, REV, TIC *3470.56 +/-	200	4	0	6,802,585:19:8	
126	2	307	21:30:00.133	480DE6A	6MROH	12,20ED,0,A2	read from LLM1A12,20ED,0,A2	200	4	0	6,802,590:50:0	
127	2	307	21:36:40.066	480DE6B	6MROH	12,20ED,0,A2	read from LLM1A12,20ED,0,A2	200	4	0	6,802,597:13:0	
128	2	308	00:22:50.733	488AH6C	6TMSED	NORM,AL3	Sci, Eng, and D/L Chan	200	4	0	6,802,761:45:0	
129	2	308	00:42:46.733	488AH6D	6TMSED	NORM,AL4	Sci, Eng, and D/L Chan	200	4	0	6,802,781:19:0	
130	2	308	01:28:53.400	175BE422A6A	6DMSC	R7,0	DMS Control Tape runup 7.68kps	200	4	0	6,802,826:74:0	
131	2	308	01:28:53.400		DMS:	: *US-RUNUP	P7, TRACK *1, *FWD, TIC 3470.56 +/-	200	4	0	6,802,826:74:0	
132	2	308	01:28:54.800		DMS:	: *US_AT_SP	P7, TRACK 1, FWD, TIC *3470.68 +/-	200	4	0	6,802,826:76:1	
133	2	308	01:29:00.066		DMS:	: *US_RD	P7, TRACK 1, FWD, TIC *3471.92 +/-	200	4	0	6,802,826:84:0	
134	2	308	01:29:01.266		DMS:	: *RUNUP	P7, TRACK *4, *REV, TIC *3471.98 +/-	200	4	0	6,802,826:85:8	
135	2	308	01:29:02.066	175BE176A6A	6TMREC	LPW	7.68 KBPS LOW RATE SCI PWS RECORD	200	4	0	6,802,826:87:0	
136	2	308	01:29:02.666		DMS:	: *AT_SPD	R7, TRACK 4, REV, TIC 3471.86 +/-	200	4	0	6,802,826:87:9	
137	2	308	01:29:02.666		DMS:	: *RECORD	R7, TRACK 4, REV, TIC *3471.86 +/-	200	4	0	6,802,826:87:9	
138	2	308	01:29:04.733	4310C6A	6RCSEL	DDSNCG,PLSNCG,EP	Record Select (DDS onl)	200	4	0	6,802,827:00:0	
139	2	308	01:45:31.400	488AI6A	6TMSED	FILL,AL4	Sci, Eng, and D/L Chan	200	4	0	6,802,843:24:0	

Line	YR	DOY	SCET - GMT	PSID	Command Parameters	Description	GCM	GO	GS	RIM	MF I
140	2	308	02:14:36.733	432CO431A6A	6RCDSL	DDSNCG,PLSNCG,EP	200	4	0	6,802,872:03:0	
141	2	308	02:14:37.400	432CO6A	6RTSL1		200	4	0	6,802,872:04:0	
142	2	308	02:14:46.733		DMS: : *RUNDOWN	R7, TRACK 4, REV, TIC *2828.72 +/-	200	4	0	6,802,872:18:0	
143	2	308	02:14:46.733	175BE422A6B	6DMSC	RDY,0	200	4	0	6,802,872:18:0	
144	2	308	02:14:47.933		DMS: : *READY	RDY, TRACK 4, REV, TIC *2828.66 +/-	200	4	0	6,802,872:19:8	
145	2	308	02:19:10.733	488AI6B	6TMSED	NORMAL4	200	4	0	6,802,876:50:0	
146	2	308	02:30:00.066	480DF6A	6MROH	12,20ED,0,A2	200	4	0	6,802,887:23:0	
147	2	308	02:36:40.066	480DF6B	6MROH	12,20ED,0,A2	200	4	0	6,802,893:77:0	
148	2	308	03:02:04.066	20RS6B	6RTSL1		200	4	0	6,802,918:88:0	
149	2	308	03:17:40.066	488AI6C	61MSED	FILL,AL4	200	4	0	6,802,934:36:0	
150	2	308	03:24:54.733	488AI6D	61MSED	FILL,AL3	200	4	0	6,802,941:51:0	
151	2	308	06:41:19.400		DMS: : *US-RUNUP	P7, TRACK *1, *FWD, TIC 2828.66 +/-	200	4	0	6,803,135:74:0	
152	2	308	06:41:19.400	175BF422A6A	6DMSC	R7,0	200	4	0	6,803,135:74:0	
153	2	308	06:41:20.800		DMS: : *US_AT_SP	DMS Control Tape runup 7.68kps	200	4	0	6,803,135:74:0	
154	2	308	06:41:26.066		DMS: : *US_RD	P7, TRACK 1, FWD, TIC *2828.78 +/-	200	4	0	6,803,135:84:0	
155	2	308	06:41:27.266		DMS: : *RUNUP	P7, TRACK *4, *REV, TIC *2830.07 +/-	200	4	0	6,803,135:85:8	
156	2	308	06:41:28.066	175BF176A6A	6TMREC	LPW	200	4	0	6,803,135:87:0	
157	2	308	06:41:28.666		DMS: : *AT_SPD	7.68 KBPS LOW RATE SCI PWS RECORD Record	200	4	0	6,803,135:87:9	
158	2	308	06:41:28.666		DMS: : *RECORD	R7, TRACK 4, REV, TIC *2829.95 +/-	200	4	0	6,803,135:87:9	
159	2	308	06:41:30.733	431OD6A	6RCSEL	DDSNCG,PLSNCG,EP	200	4	0	6,803,136:00:0	
160	2	308	07:27:02.733	432OD431A6A	6RCDSL	DDSNCG,PLSNCG,EP	200	4	0	6,803,181:03:0	
161	2	308	07:27:03.400	432OD6A	6RTSL1		200	4	0	6,803,181:04:0	
162	2	308	07:27:12.733		DMS: : *RUNDOWN	R7, TRACK 4, REV, TIC *2186.81 +/-	200	4	0	6,803,181:18:0	
163	2	308	07:27:12.733	175BF422A6B	6DMSC	RDY,0	200	4	0	6,803,181:18:0	
164	2	308	07:27:13.933		DMS: : *READY	DMS Control Tape stop	200	4	0	6,803,181:19:8	
165	2	308	07:37:51.400	488AI6E	6TMSED	NORM,AL3	200	4	0	6,803,191:66:0	
166	2	308	07:45:00.066	488AJ6A	6TMSED	NORM,AH3	200	4	0	6,803,198:72:0	
167	2	308	07:57:58.733	488AJ6B	6TMSED	NORM,AH4	200	4	0	6,803,211:57:0	
168	2	308	08:00:00.066	480DG6A	6MROH	12,20ED,0,A10	200	4	0	6,803,213:57:0	
169	2	308	08:01:20.066	480DG6B	6MROH	12,20ED,0,A10	200	4	0	6,803,214:86:0	
170	2	308	09:00:29.400	488AJ6C	6TMSED	FILL,AH4	200	4	0	6,803,273:41:0	
171	2	308	09:02:04.066	20RT6B	6RTSL1		200	4	0	6,803,275:01:0	
172	2	308	09:34:08.733	488AJ6D	6TMSED	NORM,AH4	200	4	0	6,803,306:67:0	
173	2	308	12:02:04.066	20RU6B	6RTSL1		200	4	0	6,803,453:03:0	
174	2	308	13:45:00.066	20TO4A	7SAFE	STOP	200	4	0	6,803,554:76:0	
175	2	308	13:45:50.066	20TO4B	7SLEW	DIS,POS,0,0	200	4	0	6,803,555:60:0	
176	2	308	13:45:56.066	20TO4E	7STAR	1,1204,218.9611,	200	4	0	6,803,555:69:0	
177	2	308	13:45:58.066	20TO4F	7STAR	2,9000,2.664,14.	200	4	0	6,803,555:72:0	
178	2	308	13:46:00.066	20TO4G	7STAR	3,1204,218.9611,	200	4	0	6,803,555:75:0	
179	2	308	13:46:02.066	20TO4H	7STAR	4,9000,2.664,14.	200	4	0	6,803,555:78:0	
180	2	308	13:46:04.066	20TO4I	7STAR	5,1204,218.9611,	200	4	0	6,803,555:81:0	
181	2	308	13:46:06.066	20TO4J	7STAR	6,9000,2.664,14.	200	4	0	6,803,555:84:0	
182	2	308	13:50:02.733	432OX431A6A	6RCDSL	DDSNCG,PLSNCG,EP	200	4	0	6,803,559:75:0	
183	2	308	13:50:03.400	432OX6A	6RTSL1		200	4	0	6,803,559:76:0	
184	2	308	14:00:00.066	488AK6A	6TMSED	NORM,AL4	200	4	0	6,803,569:61:0	
185	2	308	14:47:31.400	488AK6B	6TMSED	FILL,AL4	200	4	0	6,803,616:61:0	
186	2	308	14:53:58.733	488AK6C	6TMSED	FILL,AL3	200	4	0	6,803,623:05:0	

Line	YR	DOY	SCET - GMT	PSID	Command Parameters	Description	GCM	GO	GS	RIM	MFI
187	2	308	15:00:00.066	481UA4A	7VECT	Inert vect update UTC	200	4	0	6,803,629:01:0	
188	2	308	15:02:04.066	20RV6B	6RTSL1	R/T Select of DDS and	200	4	0	6,803,631:05:0	
189	2	308	15:32:53.400	488AK6D	6TMSED	Sci, Eng, and D/L Chan	200	4	0	6,803,661:49:0	
190	2	308	16:06:30.733	488AK6E	6TMSED	Sci, Eng, and D/L Chan	200	4	0	6,803,694:72:0	
191	2	308	16:15:28.066	488AL6A	6TMSED	Sci, Eng, and D/L Chan	200	4	0	6,803,703:59:0	
192	2	308	16:49:07.400	488AL6B	6TMSED	Sci, Eng, and D/L Chan	200	4	0	6,803,736:85:0	
193	2	308	16:55:28.066	488AL6C	6TMSED	Sci, Eng, and D/L Chan	200	4	0	6,803,743:19:0	
194	2	308	17:15:38.066	432OT431A6A	6RCDSL	Record Deselect (DDS o	200	4	0	6,803,763:14:0	
195	2	308	17:15:38.733	432OT6A	6RTSL1	R/T Select of DDS and	200	4	0	6,803,763:15:0	
196	2	308	17:29:07.400	488AL6D	6TMSED	Sci, Eng, and D/L Chan	200	4	0	6,803,776:45:0	
197	2	308	18:02:04.066	20RW6B	6RTSL1	R/T Select of DDS and	200	4	0	6,803,809:07:0	
198	2	308	18:15:00.066	480SA6A	6MROH	read from LLM2A44,23E8,0,A2	200	4	0	6,803,821:79:0	
199	2	308	18:21:40.066	480SA6B	6MROH	read from LLM2B45,23E8,0,B2	200	4	0	6,803,828:42:0	
200	2	308	19:47:21.400	488AL6E	6TMSED	Sci, Eng, and D/L Chan	200	4	0	6,803,913:19:0	
201	2	308	19:54:46.733	488AM6A	6TMSED	Sci, Eng, and D/L Chan	200	4	0	6,803,920:50:0	
202	2	308	21:02:04.066	20FX6B	6RTSL1	R/T Select of DDS and	200	4	0	6,803,987:09:0	
203	2	308	21:48:17.400	175BI422A6A	6DMSC	DMS Control Tape runup 7.68kps	200	4	0	6,804,032:74:0	
204	2	308	21:48:17.400		DMS: : *US-RUNUP	P7, TRACK *1, *FWD, TIC 2186.75 +/-	200	4	0	6,804,032:74:0	
205	2	308	21:48:18.800		DMS: : *US_AT_SP	P7, TRACK 1, FWD, TIC *2186.87 +/-	200	4	0	6,804,032:76:1	
206	2	308	21:48:24.066		DMS: : *US_RD	P7, TRACK 1, FWD, TIC *2188.10 +/-	200	4	0	6,804,032:84:0	
207	2	308	21:48:25.266		DMS: : *RUNUP	P7, TRACK *4, *REV, TIC *2188.16 +/-	200	4	0	6,804,032:85:8	
208	2	308	21:48:26.066	175BI176A6A	6TMREC	7.68 KBPS LOW RATE SCI PWS RECORD Record	200	4	0	6,804,032:87:0	
209	2	308	21:48:26.666		DMS: : *AT_SPD	R7, TRACK 4, REV, TIC 2188.04 +/-	200	4	0	6,804,032:87:9	
210	2	308	21:48:26.666		DMS: : *RECORD	R7, TRACK 4, REV, TIC *2188.04 +/-	200	4	0	6,804,032:87:9	
211	2	308	21:48:28.733	431OK6A	6RCSEL	Record Select (DDS onl	200	4	0	6,804,033:00:0	
212	2	308	22:34:00.733	432CK431A6A	6RCDSL	Record Deselect (DDS o	200	4	0	6,804,078:03:0	
213	2	308	22:34:01.400	432CK6A	6RTSL1	R/T Select of DDS and	200	4	0	6,804,078:04:0	
214	2	308	22:34:10.733		DMS: : *RUNDOWN	R7, TRACK 4, REV, TIC *1544.90 +/-	200	4	0	6,804,078:18:0	
215	2	308	22:34:10.733	175BI422A6B	6DMSC	DMS Control Tape stop	200	4	0	6,804,078:18:0	
216	2	308	22:34:11.933		DMS: : *READY	RDY, TRACK 4, REV, TIC *1544.84 +/-	200	4	0	6,804,078:19:8	
217	2	308	23:02:04.066	20RY6B	6RTSL1	R/T Select of DDS and	200	4	0	6,804,105:71:0	
218	2	308	23:56:54.733	488AM6B	6TMSED	Sci, Eng, and D/L Chan	200	4	0	6,804,160:02:0	
219	2	309	00:00:00.066	480SB6A	6MROH	read from LLM2A44,23E8,0,A2	200	4	0	6,804,163:07:0	
220	2	309	00:02:14.733	488AM6C	6TMSED	Sci, Eng, and D/L Chan	200	4	0	6,804,165:27:0	
221	2	309	00:06:40.066	480SB6B	6MROH	read from LLM2B45,23E8,0,B2	200	4	0	6,804,169:61:0	
222	2	309	01:02:04.066	20RZ6B	6RTSL1	R/T Select of DDS and	200	4	0	6,804,224:42:0	
223	2	309	01:05:27.400		DMS: : *US-RUNUP	P7, TRACK *1, *FWD, TIC 1544.84 +/-	200	4	0	6,804,227:74:0	
224	2	309	01:05:27.400	175BG422A6A	6DMSC	DMS Control Tape runup 7.68kps	200	4	0	6,804,227:74:0	
225	2	309	01:05:28.800		DMS: : *US_AT_SP	P7, TRACK 1, FWD, TIC *1544.96 +/-	200	4	0	6,804,227:76:1	
226	2	309	01:05:34.066		DMS: : *US_RD	P7, TRACK 1, FWD, TIC *1546.20 +/-	200	4	0	6,804,227:84:0	
227	2	309	01:05:35.266		DMS: : *RUNUP	P7, TRACK *4, *REV, TIC *1546.26 +/-	200	4	0	6,804,227:85:8	
228	2	309	01:05:36.066	175BG176A6A	6TMREC	7.68 KBPS LOW RATE SCI PWS RECORD Record	200	4	0	6,804,227:87:0	
229	2	309	01:05:36.666		DMS: : *RECORD	R7, TRACK 4, REV, TIC *1546.14 +/-	200	4	0	6,804,227:87:9	
230	2	309	01:05:36.666		DMS: : *AT_SPD	R7, TRACK 4, REV, TIC 1546.14 +/-	200	4	0	6,804,227:87:9	
231	2	309	01:05:38.733	431OE6A	6RCSEL	Record Select (DDS onl	200	4	0	6,804,228:00:0	
232	2	309	01:13:22.733	488AM6D	6TMSED	Sci, Eng, and D/L Chan	200	4	0	6,804,235:59:0	
233	2	309	01:50:26.733	488AM6E	6TMSED	Sci, Eng, and D/L Chan	200	4	0	6,804,272:28:0	

Line	YR	DOY	SCET - GMT	PSID	Command	Parameters	Description	GCM	GO	GS	RIM	MF I
234	2	309	02:24:34.733	34ANRTSPEC01-		-----START-----		200	4	0	:	:
235	2	309	02:24:53.400	20DC5A	37PL		Program Load (halts microprocessor & unwri		4	0	6,804,306:34:0	
236	2	309	02:24:56.733	20DC5B	37MRL		Memory Realocate (software operates from R		4	0	6,804,306:39:0	
237	2	309	02:25:06.733	20DC6A	6MCPY	NIMS	NIMS,1000,LLM1A,7300,77F7		4	0	6,804,306:54:0	
238	2	309	02:25:16.733	20DC6B	6MCPY	NIMS	NIMS,1598,LLM1A,77F8,781D		4	0	6,804,306:69:0	
239	2	309	02:25:35.400	20DC5C	37IRT		Instrument Reset (goes into POR state)		4	0	6,804,307:06:0	
240	2	309	02:26:36.066	20DC5D	37MN		Memory Normal (software operates from ROM)	260	4	0	6,804,308:06:0	
241	2	309	02:27:36.733	20DC4A	37IST	1,0,0,OFF,0,0,0	Chopper ON, Sync, 63Hz (Ref)	260	4	0	6,804,309:06:0	
242	2	309	02:28:37.400	20DC4B	37IST	1,2,0,OFF,0,0,0	Chopper ON, Sync, Chopper (Ref)	2R0	4	0	6,804,310:06:0	
243	2	309	02:29:38.066	20DC4C	37IST	0,2,0,OFF,0,1,1	Gain State 4	4R0	4	0	6,804,311:06:0	
244	2	309	02:30:38.733	20DC4D	37MB	1B,1B,0,0,0,0	Selects mirror (spatial) edit table	4R0	4	0	6,804,312:06:0	
245	2	309	02:31:39.400	20DC4E	37IOP	3,0	Long Map, Grating Start Position =00	4R3	4	0	6,804,313:06:0	
246	2	309	02:32:40.066	20DC4F	37ETB	04,C4,35,FF,FF	Loads wavelength edit table	4R3	4	0	6,804,314:06:0	
247	2	309	02:34:57.400	432XU6A	6RTSL2	NIMSEL,AACNCG,RT	NIMS R/T SELECT	4R3	4	0	6,804,316:30:0	
248	2	309	02:36:40.733	175BG422A6B	6DMSC	RDY,0	DMS Control Tape stop	4R3	4	0	6,804,318:03:0	
249	2	309	02:36:40.733		DMS:	: *RUNDOWN	R7, TRACK 4, REV, TIC * 265.50 +/-	4R3	4	0	6,804,318:03:0	
250	2	309	02:36:41.933		DMS:	: *READY	RDY, TRACK 4, REV, TIC * 265.44 +/-	4R3	4	0	6,804,318:04:8	
251	2	309	02:38:06.066	465KC6A	6DMSC	RDY,1	DMS Control Tape stop	4R3	4	0	6,804,319:40:0	
252	2	309	02:38:06.066		DMS:	: READY	RDY, TRACK *1, *FWD, TIC 265.44 +/-	4R3	4	0	6,804,319:40:0	
253	2	309	02:39:40.733	411JC6A	6DMSC	R7,0	DMS Control Tape runup 7.68kps	4R3	4	0	6,804,321:00:0	
254	2	309	02:39:40.733		DMS:	: *E4-DELAY	RDY, TRACK 1, FWD, TIC 265.44 +/-	4R3	4	0	6,804,321:00:0	
255	2	309	02:39:47.400		DMS:	: *RUNUP	R7, TRACK 1, FWD, TIC 265.44 +/-	4R3	4	0	6,804,321:10:0	
256	2	309	02:39:48.800		DMS:	: *RECORD	R7, TRACK 1, FWD, TIC * 265.56 +/-	4R3	4	0	6,804,321:12:1	
257	2	309	02:39:48.800		DMS:	: *AT_SPD	R7, TRACK 1, FWD, TIC 265.56 +/-	4R3	4	0	6,804,321:12:1	
258	2	309	02:39:50.733	411JC6B	6TMREC	BDT	7.68 KBPS BUFFER DUMP TO TAPE Record Mode	4R3	4	0	6,804,321:15:0	
259	2	309	02:39:59.400	432XV6A	6RTDS2	NIMDSL,AACNCG,RT	NIMS R/T DESELECT	4R3	4	0	6,804,321:28:0	
260	2	309	02:41:52.066	411JC6C	6TMREC	NRC	NO RECORD Record Mode Change	4R3	4	0	6,804,323:15:0	
261	2	309	02:41:52.733		DMS:	: *RUNDOWN	R7, TRACK 1, FWD, TIC * 294.60 +/-	4R3	4	0	6,804,323:16:0	
262	2	309	02:41:52.733	411JC6D	6DMSC	RDY,0	DMS Control Tape stop	4R3	4	0	6,804,323:16:0	
263	2	309	02:41:53.933		DMS:	: *READY	RDY, TRACK 1, FWD, TIC * 294.66 +/-	4R3	4	0	6,804,323:17:8	
264	2	309	02:44:33.400	175TA422A6A	6DMSC	R7,1	DMS Control Tape runup 7.68kbp	4R3	4	0	6,804,325:75:0	
265	2	309	02:44:33.400		DMS:	: *E4-DELAY	RDY, TRACK 1, FWD, TIC 294.66 +/-	4R3	4	0	6,804,325:75:0	
266	2	309	02:44:40.066		DMS:	: *RUNUP	R7, TRACK 1, FWD, TIC 294.66 +/-	4R3	4	0	6,804,325:85:0	
267	2	309	02:44:41.400	175TA176A6A	6TMREC	LPW	7.68 KBPS LOW RATE SCI PWS RECORD Record	4R3	4	0	6,804,325:87:0	
268	2	309	02:44:41.466		DMS:	: *RECORD	R7, TRACK 1, FWD, TIC * 294.78 +/-	4R3	4	0	6,804,325:87:1	
269	2	309	02:44:41.466		DMS:	: *AT_SPD	R7, TRACK 1, FWD, TIC 294.78 +/-	4R3	4	0	6,804,325:87:1	
270	2	309	02:44:44.066	431MA6A	6RCSEL	DDSEL,PLSNCG,EP	Record Select (DDS onl	4R3	4	0	6,804,326:00:0	
271	2	309	02:53:45.400	127XF4A	37IOP	0,0	Safe, Grating Start Position =00	4R0	4	0	6,804,334:84:0	
272	2	309	02:53:45.400	127XF	NIMSTAB	GS	%%,%%,%% GROUP START TAB	4R0	4	0	6,804,334:84:0	
273	2	309	02:53:46.066	127XF4B	37ETB	04,C4,02,00,00	Loads wavelength edit table	4R0	4	0	6,804,334:85:0	
274	2	309	02:53:54.066	127XF11A	NIMSTAB	GE	%%,%%,%% GROUP END TAB	4R0	4	0	6,804,335:06:0	
275	2	309	02:56:47.400	125XF4A	37MB	0,0,0,0,0,0	Selects mirror (spatial) edit table	4R0	4	0	6,804,337:84:0	
276	2	309	02:56:47.400	125XF	NIMSINIT	GS	##### GROUP START INIT	4R0	4	0	6,804,337:84:0	
277	2	309	02:57:14.733	428JA6A	6RCCLR			4R0	4	0	6,804,338:34:0	
278	2	309	02:57:15.400	428JA6B	6RCSET			4R0	4	0	6,804,338:35:0	
279	2	309	02:57:48.066	125XF4B	37IST	1,0,0,OFF,0,0,0	Chopper ON, Sync, 63Hz (Ref)	460	4	0	6,804,338:84:0	
280	2	309	02:58:48.733	34ANRTSPEC01-		-----STOP-----		460	4	0	:	:

Line	YR	DOY	SCET - GMT	PSID	Command	Parameters	Description	GCM	GO	GS	RIM	MF I
281	2	309	02:58:48.733	125XF4C	371ST	1,1,0,OFF,0,0,0	Chopper OFF, N/A, 63Hz (Ref)	400	4	0	6,804,339:84:0	
282	2	309	02:58:48.733	125XF11A	NIMSINIT	GE	##### GROUP END INIT	400	4	0	6,804,339:84:0	
283	2	309	03:02:04.066	20RA6B	6RTSL1		R/T Select of DDS and	400	4	0	6,804,343:13:0	
284	2	309	03:20:02.733		DMS:	: *RUNDOWN	R7, TRACK 1, FWD, TIC * 791.96 +/-	400	4	0	6,804,360:84:0	
285	2	309	03:20:02.733	175NA422A6A	6DMSC	R115,1	DMS Control	400	4	0	6,804,360:84:0	
286	2	309	03:20:03.933		DMS:	: *RUNUP	R115, TRACK 1, FWD, TIC * 792.02 +/-	400	4	0	6,804,360:85:8	
287	2	309	03:20:07.933		DMS:	: *RECORD	R115, TRACK 1, FWD, TIC * 798.32 +/-	400	4	0	6,804,361:00:8	
288	2	309	03:20:07.933		DMS:	: *AT_SPD	R115, TRACK 1, FWD, TIC 798.32 +/-	400	4	0	6,804,361:00:8	
289	2	309	03:20:08.066	175NA176A6A	6TMREC	HPW	115.2 KBPS PWS RECORD Record Mode Change	400	4	0	6,804,361:01:0	
290	2	309	03:20:30.066	428JB6A	6RCCLR			400	4	0	6,804,361:34:0	
291	2	309	03:20:30.733	428JB6B	6RCSET			400	4	0	6,804,361:35:0	
292	2	309	03:20:55.400	175TB422A6A	6DMSC	R7,1	DMS Control Tape runup 7.68kbp	400	4	0	6,804,361:72:0	
293	2	309	03:20:55.400		DMS:	: *RUNDOWN	R115, TRACK 1, FWD, TIC * 965.19 +/-	400	4	0	6,804,361:72:0	
294	2	309	03:20:56.600		DMS:	: *RUNUP	R7, TRACK 1, FWD, TIC * 966.19 +/-	400	4	0	6,804,361:73:8	
295	2	309	03:20:58.000		DMS:	: *RECORD	R7, TRACK 1, FWD, TIC * 966.31 +/-	400	4	0	6,804,361:75:9	
296	2	309	03:20:58.000		DMS:	: *AT_SPD	R7, TRACK 1, FWD, TIC 966.31 +/-	400	4	0	6,804,361:75:9	
297	2	309	03:20:58.066	175TB176A6A	6TMREC	LPW	7.68 KBPS LOW RATE SCI PWS RECORD Record	400	4	0	6,804,361:76:0	
298	2	309	03:28:00.066	20UM4A	7SAFE	UNSTOW	S/P TO 153 deg cone	400	4	0	6,804,368:72:0	
299	2	309	03:30:36.733	428JC6A	6RCCLR			400	4	0	6,804,371:34:0	
300	2	309	03:30:37.400	428JC6B	6RCSET			400	4	0	6,804,371:34:0	
301	2	309	03:40:16.066		DMS:	: *RUNDOWN	R7, TRACK 1, FWD, TIC *1237.73 +/-	400	4	0	6,804,371:35:0	
302	2	309	03:40:16.066	175NB422A6A	6DMSC	R115,1	DMS Control	400	4	0	6,804,380:84:0	
303	2	309	03:40:17.266		DMS:	: *RUNUP	R115, TRACK 1, FWD, TIC *1237.79 +/-	400	4	0	6,804,380:84:0	
304	2	309	03:40:21.266		DMS:	: *RECORD	R115, TRACK 1, FWD, TIC *1244.09 +/-	400	4	0	6,804,380:85:8	
305	2	309	03:40:21.266		DMS:	: *AT_SPD	R115, TRACK 1, FWD, TIC 1244.09 +/-	400	4	0	6,804,381:00:8	
306	2	309	03:40:21.400	175NB176A6A	6TMREC	HPW	115.2 KBPS PWS RECORD Record Mode Change	400	4	0	6,804,381:00:8	
307	2	309	03:40:43.400	428JD6A	6RCCLR			400	4	0	6,804,381:01:0	
308	2	309	03:40:44.066	428JD6B	6RCSET			400	4	0	6,804,381:34:0	
309	2	309	03:41:08.733		DMS:	: *RUNDOWN	R115, TRACK 1, FWD, TIC *1410.97 +/-	400	4	0	6,804,381:35:0	
310	2	309	03:41:08.733	175TC422A6A	6DMSC	R7,1	DMS Control Tape runup 7.68kbp	400	4	0	6,804,381:72:0	
311	2	309	03:41:09.933		DMS:	: *RUNUP	R7, TRACK 1, FWD, TIC *1411.97 +/-	400	4	0	6,804,381:72:0	
312	2	309	03:41:11.333		DMS:	: *AT_SPD	R7, TRACK 1, FWD, TIC 1412.09 +/-	400	4	0	6,804,381:73:8	
313	2	309	03:41:11.333		DMS:	: *RECORD	R7, TRACK 1, FWD, TIC *1412.09 +/-	400	4	0	6,804,381:75:9	
314	2	309	03:41:11.400	175TC176A6A	6TMREC	LPW	7.68 KBPS LOW RATE SCI PWS RECORD Record	400	4	0	6,804,381:76:0	
315	2	309	03:50:50.066	428JE6A	6RCCLR			400	4	0	6,804,391:34:0	
316	2	309	03:50:50.733	428JE6B	6RCSET			400	4	0	6,804,391:35:0	
317	2	309	04:00:00.066	480SL6A	6MROH	44,23E8,0,A2	read from LLM2A44,23E8,0,A2	400	4	0	6,804,400:40:0	
318	2	309	04:00:29.400		DMS:	: *RUNDOWN	R7, TRACK 1, FWD, TIC *1683.51 +/-	400	4	0	6,804,400:84:0	
319	2	309	04:00:29.400	175NC422A6A	6DMSC	R115,1	DMS Control	400	4	0	6,804,400:84:0	
320	2	309	04:00:30.600		DMS:	: *RUNUP	R115, TRACK 1, FWD, TIC *1683.57 +/-	400	4	0	6,804,400:85:8	
321	2	309	04:00:34.600		DMS:	: *RECORD	R115, TRACK 1, FWD, TIC *1689.87 +/-	400	4	0	6,804,401:00:8	
322	2	309	04:00:34.600		DMS:	: *AT_SPD	R115, TRACK 1, FWD, TIC 1689.87 +/-	400	4	0	6,804,401:00:8	
323	2	309	04:00:34.733	175NC176A6A	6TMREC	HPW	115.2 KBPS PWS RECORD Record Mode Change	400	4	0	6,804,401:01:0	
324	2	309	04:00:56.733	428JF6A	6RCCLR			400	4	0	6,804,401:34:0	
325	2	309	04:00:57.400	428JF6B	6RCSET			400	4	0	6,804,401:35:0	
326	2	309	04:01:22.066		DMS:	: *RUNDOWN	R115, TRACK 1, FWD, TIC *1856.74 +/-	400	4	0	6,804,401:72:0	
327	2	309	04:01:22.066	175TD422A6A	6DMSC	R7,1	DMS Control Tape runup 7.68kbp	400	4	0	6,804,401:72:0	

Line	YR	DOY	SCET - GMT	PSID	Command Parameters	Description	GCM	GO	GS	RIM	MF I
328	2	309	04:01:23.266		DMS: : *RUNUP	R7, TRACK 1, FWD, TIC *1857.74 +/-	400	4	0	6,804,401:73:8	
329	2	309	04:01:24.666		DMS: : *RECORD	R7, TRACK 1, FWD, TIC *1857.86 +/-	400	4	0	6,804,401:75:9	
330	2	309	04:01:24.666		DMS: : *AT_SPD	R7, TRACK 1, FWD, TIC 1857.86 +/-	400	4	0	6,804,401:75:9	
331	2	309	04:01:24.733	175TD176A6A	LPW	7.68 KBPS LOW RATE SCI PWS RECORD	400	4	0	6,804,401:76:0	
332	2	309	04:06:40.066	480SL6B	45.23E8,0,B2	read from LLM2B45,23E8,0,B2	400	4	0	6,804,407:03:0	
333	2	309	04:11:03.400	428JG6A			400	4	0	6,804,411:34:0	
334	2	309	04:11:04.066	428JG6B			400	4	0	6,804,411:35:0	
335	2	309	04:20:42.733		DMS: : *RUNDOWN	R7, TRACK 1, FWD, TIC *2129.29 +/-	400	4	0	6,804,420:84:0	
336	2	309	04:20:42.733	175ND422A6A	6DMSC	DMS Control	400	4	0	6,804,420:84:0	
337	2	309	04:20:43.933		DMS: : *RUNUP	R115, TRACK 1, FWD, TIC *2129.35 +/-	400	4	0	6,804,420:85:8	
338	2	309	04:20:47.933		DMS: : *AT_SPD	R115, TRACK 1, FWD, TIC 2135.65 +/-	400	4	0	6,804,421:00:8	
339	2	309	04:20:47.933		DMS: : *RECORD	R115, TRACK 1, FWD, TIC *2135.65 +/-	400	4	0	6,804,421:00:8	
340	2	309	04:20:48.066	175ND176A6A	6TMREC	115.2 KBPS PWS RECORD	400	4	0	6,804,421:01:0	
341	2	309	04:21:10.066	428JH6A	6RCCLR		400	4	0	6,804,421:34:0	
342	2	309	04:21:10.733	428JH6B	6RCSET		400	4	0	6,804,421:35:0	
343	2	309	04:21:35.400	175TE422A6A	6DMSC	DMS Control Tape runup 7.68 kbp	400	4	0	6,804,421:72:0	
344	2	309	04:21:35.400		DMS: : *RUNDOWN	R115, TRACK 1, FWD, TIC *2302.52 +/-	400	4	0	6,804,421:72:0	
345	2	309	04:21:36.600		DMS: : *RUNUP	R7, TRACK 1, FWD, TIC *2303.52 +/-	400	4	0	6,804,421:73:8	
346	2	309	04:21:38.000		DMS: : *RECORD	R7, TRACK 1, FWD, TIC *2303.64 +/-	400	4	0	6,804,421:75:9	
347	2	309	04:21:38.000		DMS: : *AT_SPD	R7, TRACK 1, FWD, TIC 2303.64 +/-	400	4	0	6,804,421:75:9	
348	2	309	04:21:38.066	175TE176A6A	6TMREC	7.68 KBPS LOW RATE SCI PWS RECORD	400	4	0	6,804,421:76:0	
349	2	309	04:31:16.733	428JL6A	6RCCLR		400	4	0	6,804,431:34:0	
350	2	309	04:31:17.400	428JL6B	6RCSET		400	4	0	6,804,431:35:0	
351	2	309	04:40:56.066	175NE422A6A	6DMSC	DMS Control	400	4	0	6,804,440:84:0	
352	2	309	04:40:56.066		DMS: : *RUNDOWN	R7, TRACK 1, FWD, TIC *2575.06 +/-	400	4	0	6,804,440:84:0	
353	2	309	04:40:57.266		DMS: : *RUNUP	R115, TRACK 1, FWD, TIC *2575.12 +/-	400	4	0	6,804,440:85:8	
354	2	309	04:41:01.266		DMS: : *AT_SPD	R115, TRACK 1, FWD, TIC 2581.42 +/-	400	4	0	6,804,441:00:8	
355	2	309	04:41:01.266		DMS: : *RECORD	R115, TRACK 1, FWD, TIC *2581.42 +/-	400	4	0	6,804,441:00:8	
356	2	309	04:41:01.400	175NE176A6A	6TMREC	115.2 KBPS PWS RECORD	400	4	0	6,804,441:01:0	
357	2	309	04:41:23.400	428JL6A	6RCCLR		400	4	0	6,804,441:34:0	
358	2	309	04:41:24.066	428JL6B	6RCSET		400	4	0	6,804,441:35:0	
359	2	309	04:41:48.733	175TF422A6A	6DMSC	DMS Control Tape runup 7.68 kbp	400	4	0	6,804,441:72:0	
360	2	309	04:41:48.733		DMS: : *RUNDOWN	R115, TRACK 1, FWD, TIC *2748.30 +/-	400	4	0	6,804,441:72:0	
361	2	309	04:41:49.933		DMS: : *RUNUP	R7, TRACK 1, FWD, TIC *2749.30 +/-	400	4	0	6,804,441:73:8	
362	2	309	04:41:51.333		DMS: : *RECORD	R7, TRACK 1, FWD, TIC *2749.42 +/-	400	4	0	6,804,441:75:9	
363	2	309	04:41:51.333		DMS: : *AT_SPD	R7, TRACK 1, FWD, TIC 2749.42 +/-	400	4	0	6,804,441:75:9	
364	2	309	04:41:51.400	175TF176A6A	6TMREC	7.68 KBPS LOW RATE SCI PWS RECORD	400	4	0	6,804,441:76:0	
365	2	309	04:51:30.066	428JK6A	6RCCLR		400	4	0	6,804,451:34:0	
366	2	309	04:51:30.733	428JK6B	6RCSET		400	4	0	6,804,451:35:0	
367	2	309	05:01:09.400	175NF422A6A	6DMSC	DMS Control	400	4	0	6,804,460:84:0	
368	2	309	05:01:09.400		DMS: : *RUNDOWN	R7, TRACK 1, FWD, TIC *3020.84 +/-	400	4	0	6,804,460:84:0	
369	2	309	05:01:10.600		DMS: : *RUNUP	R115, TRACK 1, FWD, TIC *3020.90 +/-	400	4	0	6,804,460:85:8	
370	2	309	05:01:14.600		DMS: : *RECORD	R115, TRACK 1, FWD, TIC *3027.20 +/-	400	4	0	6,804,461:00:8	
371	2	309	05:01:14.600		DMS: : *AT_SPD	R115, TRACK 1, FWD, TIC 3027.20 +/-	400	4	0	6,804,461:00:8	
372	2	309	05:01:14.733	175NF176A6A	6TMREC	115.2 KBPS PWS RECORD	400	4	0	6,804,461:01:0	
373	2	309	05:01:36.733	428JL6A	6RCCLR		400	4	0	6,804,461:34:0	
374	2	309	05:01:37.400	428JL6B	6RCSET		400	4	0	6,804,461:35:0	

Line	YR	DOY	SCET - GMT	PSID	Command	Parameters	Description	GCM	GO	GS	RIM	MF I
375	2	309	05:02:02.066		DMS:	: *RUNDOWN	R115, TRACK 1, FWD, TIC *3194.08 +/-	400	4	0	6,804,461.72:0	
376	2	309	05:02:02.066	175TG422A6A	6DMSC	R7,1	DMS Control Tape runup 7.68kbp	400	4	0	6,804,461.72:0	
377	2	309	05:02:03.266		DMS:	: *RUNUP	R7, TRACK 1, FWD, TIC *3195.08 +/-	400	4	0	6,804,461.73:8	
378	2	309	05:02:04.666		DMS:	: *RECORD	R7, TRACK 1, FWD, TIC *3195.20 +/-	400	4	0	6,804,461.75:9	
379	2	309	05:02:04.666		DMS:	: *AT_SPD	R7, TRACK 1, FWD, TIC 3195.20 +/-	400	4	0	6,804,461.75:9	
380	2	309	05:02:04.733	175TG176A6A	6TMREC	LPW	7.68 KBPS LOW RATE SCI PWS RECORD	400	4	0	6,804,461.76:0	
381	2	309	05:11:43.400	428JM6A	6RCCLR			400	4	0	6,804,471.34:0	
382	2	309	05:11:44.066	428JM6B	6RCSET			400	4	0	6,804,471.35:0	
383	2	309	05:21:22.733		DMS:	: *RUNDOWN	R7, TRACK 1, FWD, TIC *3466.62 +/-	400	4	0	6,804,480.84:0	
384	2	309	05:21:22.733	175NG422A6A	6DMSC	R115,1	DMS Control	400	4	0	6,804,480.84:0	
385	2	309	05:21:23.933		DMS:	: *RUNUP	R115, TRACK 1, FWD, TIC *3466.68 +/-	400	4	0	6,804,480.85:8	
386	2	309	05:21:27.933		DMS:	: *RECORD	R115, TRACK 1, FWD, TIC *3472.98 +/-	400	4	0	6,804,481.00:8	
387	2	309	05:21:27.933		DMS:	: *AT_SPD	R115, TRACK 1, FWD, TIC 3472.98 +/-	400	4	0	6,804,481.01:0	
388	2	309	05:21:28.066	175NG176A6A	6TMREC	HPW	115.2 KBPS PWS RECORD	400	4	0	6,804,481.01:0	
389	2	309	05:21:50.066	428JN6A	6RCCLR			400	4	0	6,804,481.34:0	
390	2	309	05:21:50.733	428JN6B	6RCSET			400	4	0	6,804,481.35:0	
391	2	309	05:22:15.400		DMS:	: *RUNDOWN	R115, TRACK 1, FWD, TIC *3639.85 +/-	400	4	0	6,804,481.72:0	
392	2	309	05:22:15.400	175TH422A6A	6DMSC	R7,1	DMS Control Tape runup 7.68kbp	400	4	0	6,804,481.72:0	
393	2	309	05:22:16.600		DMS:	: *RUNUP	R7, TRACK 1, FWD, TIC *3640.85 +/-	400	4	0	6,804,481.73:8	
394	2	309	05:22:18.000		DMS:	: *AT_SPD	R7, TRACK 1, FWD, TIC 3640.97 +/-	400	4	0	6,804,481.75:9	
395	2	309	05:22:18.000		DMS:	: *RECORD	R7, TRACK 1, FWD, TIC *3640.97 +/-	400	4	0	6,804,481.75:9	
396	2	309	05:22:18.066	175TH176A6A	6TMREC	LPW	7.68 KBPS LOW RATE SCI PWS RECORD	400	4	0	6,804,481.76:0	
397	2	309	05:24:00.066	480SC6A	6MROH	44,23E8,0,A2	read from LLM2A44,23E8,0,A2	400	4	0	6,804,483.47:0	
398	2	309	05:30:40.066	480SC6B	6MROH	45,23E8,0,B2	read from LLM2B45,23E8,0,B2	400	4	0	6,804,490.10:0	
399	2	309	05:31:56.733	428JO6A	6RCCLR			400	4	0	6,804,491.34:0	
400	2	309	05:31:57.400	428JO6B	6RCSET			400	4	0	6,804,491.35:0	
401	2	309	05:41:36.066		DMS:	: *RUNDOWN	R7, TRACK 1, FWD, TIC *3912.39 +/-	400	4	0	6,804,500.84:0	
402	2	309	05:41:36.066	175NH422A6A	6DMSC	R115,1	DMS Control	400	4	0	6,804,500.84:0	
403	2	309	05:41:37.266		DMS:	: *RUNUP	R115, TRACK 1, FWD, TIC *3912.45 +/-	400	4	0	6,804,500.85:8	
404	2	309	05:41:41.266		DMS:	: *AT_SPD	R115, TRACK 1, FWD, TIC 3918.75 +/-	400	4	0	6,804,501.00:8	
405	2	309	05:41:41.266		DMS:	: *RECORD	R115, TRACK 1, FWD, TIC *3918.75 +/-	400	4	0	6,804,501.00:8	
406	2	309	05:41:41.400	175NH176A6A	6TMREC	HPW	115.2 KBPS PWS RECORD	400	4	0	6,804,501.01:0	
407	2	309	05:42:03.400	428JP6A	6RCCLR			400	4	0	6,804,501.34:0	
408	2	309	05:42:04.066	428JP6B	6RCSET			400	4	0	6,804,501.35:0	
409	2	309	05:42:28.733		DMS:	: *RUNDOWN	R115, TRACK 1, FWD, TIC *4085.63 +/-	400	4	0	6,804,501.72:0	
410	2	309	05:42:28.733	175TI422A6A	6DMSC	R7,1	DMS Control Tape runup 7.68kbp	400	4	0	6,804,501.72:0	
411	2	309	05:42:29.933		DMS:	: *RUNUP	R7, TRACK 1, FWD, TIC *4086.63 +/-	400	4	0	6,804,501.73:8	
412	2	309	05:42:31.333		DMS:	: *RECORD	R7, TRACK 1, FWD, TIC *4086.75 +/-	400	4	0	6,804,501.75:9	
413	2	309	05:42:31.333		DMS:	: *AT_SPD	R7, TRACK 1, FWD, TIC 4086.75 +/-	400	4	0	6,804,501.75:9	
414	2	309	05:42:31.400	175TI176A6A	6TMREC	LPW	7.68 KBPS LOW RATE SCI PWS RECORD	400	4	0	6,804,501.76:0	
415	2	309	05:52:10.066	428JQ6A	6RCCLR			400	4	0	6,804,511.34:0	
416	2	309	05:52:10.733	428JQ6B	6RCSET			400	4	0	6,804,511.35:0	
417	2	309	06:01:49.400	175NI422A6A	6DMSC	R115,1	DMS Control	400	4	0	6,804,520.84:0	
418	2	309	06:01:49.400		DMS:	: *RUNDOWN	R7, TRACK 1, FWD, TIC *4358.17 +/-	400	4	0	6,804,520.84:0	
419	2	309	06:01:50.600		DMS:	: *RUNUP	R115, TRACK 1, FWD, TIC *4358.23 +/-	400	4	0	6,804,520.85:8	
420	2	309	06:01:54.600		DMS:	: *RECORD	R115, TRACK 1, FWD, TIC *4364.53 +/-	400	4	0	6,804,521.00:8	
421	2	309	06:01:54.600		DMS:	: *AT_SPD	R115, TRACK 1, FWD, TIC 4364.53 +/-	400	4	0	6,804,521.00:8	

Line	YR	DOY	SCET - GMT	PSID	Command	Parameters	Description	GCM	GO	GS	RIM	MF I
422	2	309	06:01:54.733	175NI176A6A	6TMREC	HPW	115.2 KBPS PWS RECORD	400	4	0	6,804,521:01:0	0
423	2	309	06:02:16.733	428JR6A	6RCCLR			400	4	0	6,804,521:34:0	0
424	2	309	06:02:17.400	428JR6B	6RCSET			400	4	0	6,804,521:35:0	0
425	2	309	06:02:42.066	175TJ422A6A	6DMSC	R7,1	DMS Control Tape runup 7.68kbp	400	4	0	6,804,521:72:0	0
426	2	309	06:02:42.066		DMS:	: *RUNDOWN	R115, TRACK 1, FWD, TIC *4531.41 +/-	400	4	0	6,804,521:72:0	0
427	2	309	06:02:43.266		DMS:	: *RUNUP	R7, TRACK 1, FWD, TIC *4532.41 +/-	400	4	0	6,804,521:73:8	0
428	2	309	06:02:44.666		DMS:	: *RECORD	R7, TRACK 1, FWD, TIC *4532.53 +/-	400	4	0	6,804,521:75:9	0
429	2	309	06:02:44.666		DMS:	: *AT_SPD	R7, TRACK 1, FWD, TIC 4532.53 +/-	400	4	0	6,804,521:75:9	0
430	2	309	06:02:44.733	175TJ176A6A	6TMREC	LPW	7.68 KBPS LOW RATE SCI PWS RECORD	400	4	0	6,804,521:76:0	0
431	2	309	06:07:03.400	488AN6A	6TMSED	FILL,AL3	Sci, Eng, and D/L Chan	400	4	0	6,804,526:08:0	0
432	2	309	06:12:23.400	428JS6A	6RCCLR			400	4	0	6,804,531:34:0	0
433	2	309	06:12:24.066	428JS6B	6RCSET			400	4	0	6,804,531:35:0	0
434	2	309	06:22:02.733	175NJ422A6A	6DMSC	R115,1	DMS Control	400	4	0	6,804,540:84:0	0
435	2	309	06:22:02.733		DMS:	: *RUNDOWN	R7, TRACK 1, FWD, TIC *4803.95 +/-	400	4	0	6,804,540:84:0	0
436	2	309	06:22:03.933		DMS:	: *RUNUP	R115, TRACK 1, FWD, TIC *4804.01 +/-	400	4	0	6,804,540:85:8	0
437	2	309	06:22:07.933		DMS:	: *RECORD	R115, TRACK 1, FWD, TIC *4810.31 +/-	400	4	0	6,804,541:90:8	0
438	2	309	06:22:07.933		DMS:	: *AT_SPD	R115, TRACK 1, FWD, TIC 4810.31 +/-	400	4	0	6,804,541:00:8	0
439	2	309	06:22:08.066	175NJ176A6A	6TMREC	HPW	115.2 KBPS PWS RECORD	400	4	0	6,804,541:01:0	0
440	2	309	06:22:30.066	428JT6A	6RCCLR			400	4	0	6,804,541:34:0	0
441	2	309	06:22:30.733	428JT6B	6RCSET			400	4	0	6,804,541:35:0	0
442	2	309	06:22:55.400		DMS:	: *RUNDOWN	R115, TRACK 1, FWD, TIC *4977.18 +/-	400	4	0	6,804,541:72:0	0
443	2	309	06:22:55.400	175TK422A6A	6DMSC	R7,1	DMS Control Tape runup 7.68kbp	400	4	0	6,804,541:72:0	0
444	2	309	06:22:56.600		DMS:	: *RUNUP	R7, TRACK 1, FWD, TIC *4978.18 +/-	400	4	0	6,804,541:73:8	0
445	2	309	06:22:58.000		DMS:	: *AT_SPD	R7, TRACK 1, FWD, TIC 4978.30 +/-	400	4	0	6,804,541:75:9	0
446	2	309	06:22:58.000		DMS:	: *RECORD	R7, TRACK 1, FWD, TIC *4978.30 +/-	400	4	0	6,804,541:75:9	0
447	2	309	06:22:58.066	175TK176A6A	6TMREC	LPW	7.68 KBPS LOW RATE SCI PWS RECORD	400	4	0	6,804,541:76:0	0
448	2	309	06:30:00.066	480SM6A	6MROH	44,23E8,0,A2	read from LLM2A44,23E8,0,A2	400	4	0	6,804,548:72:0	0
449	2	309	06:32:36.733	428JU6A	6RCCLR			400	4	0	6,804,551:34:0	0
450	2	309	06:32:37.400	428JU6B	6RCSET			400	4	0	6,804,551:35:0	0
451	2	309	06:36:40.066	480SM6B	6MROH	45,23E8,0,B2	read from LLM2B45,23E8,0,B2	400	4	0	6,804,555:35:0	0
452	2	309	06:42:16.066	175NK422A6A	6DMSC	R115,1	DMS Control	400	4	0	6,804,560:84:0	0
453	2	309	06:42:16.066		DMS:	: *RUNDOWN	R7, TRACK 1, FWD, TIC *5249.72 +/-	400	4	0	6,804,560:84:0	0
454	2	309	06:42:17.266		DMS:	: *RUNUP	R115, TRACK 1, FWD, TIC *5249.78 +/-	400	4	0	6,804,560:85:8	0
455	2	309	06:42:21.266		DMS:	: *AT_SPD	R115, TRACK 1, FWD, TIC 5256.08 +/-	400	4	0	6,804,561:00:8	0
456	2	309	06:42:21.266		DMS:	: *RECORD	R115, TRACK 1, FWD, TIC *5256.08 +/-	400	4	0	6,804,561:00:8	0
457	2	309	06:42:21.400	175NK176A6A	6TMREC	HPW	115.2 KBPS PWS RECORD	400	4	0	6,804,561:01:0	0
458	2	309	06:42:43.400	428JV6A	6RCCLR			400	4	0	6,804,561:34:0	0
459	2	309	06:42:44.066	428JV6B	6RCSET			400	4	0	6,804,561:35:0	0
460	2	309	06:43:08.733		DMS:	: *RUNDOWN	R115, TRACK 1, FWD, TIC *5422.96 +/-	400	4	0	6,804,561:72:0	0
461	2	309	06:43:08.733	175TL422A6A	6DMSC	R7,1	DMS Control Tape runup 7.68kbp	400	4	0	6,804,561:72:0	0
462	2	309	06:43:09.933		DMS:	: *RUNUP	R7, TRACK 1, FWD, TIC *5423.96 +/-	400	4	0	6,804,561:73:8	0
463	2	309	06:43:11.333		DMS:	: *RECORD	R7, TRACK 1, FWD, TIC *5424.08 +/-	400	4	0	6,804,561:75:9	0
464	2	309	06:43:11.333		DMS:	: *AT_SPD	R7, TRACK 1, FWD, TIC 5424.08 +/-	400	4	0	6,804,561:75:9	0
465	2	309	06:43:11.400	175TL176A6A	6TMREC	LPW	7.68 KBPS LOW RATE SCI PWS RECORD	400	4	0	6,804,561:76:0	0
466	2	309	06:52:50.066	428JW6A	6RCCLR			400	4	0	6,804,571:34:0	0
467	2	309	06:52:50.733	428JW6B	6RCSET			400	4	0	6,804,571:35:0	0
468	2	309	07:00:00.066	481UC4A	7VECT	BB2	Inert vect update UTC	400	4	0	6,804,578:42:0	0

Line	YR	DOY	SCET - GMT	PSID	Command	Parameters	Description	GCM	GO	GS	RIM	MF I
469	2	309	07:02:29.400		DMS:	: *RUNDOWN	R7, TRACK 1, FWD, TIC *5695.50 +/-	400	4	0	6,804,580:84:0	6,804,580:84:0
470	2	309	07:02:29.400	175NL422A6A	6DMSC	R115,1	DMS Control	400	4	0	6,804,580:84:0	6,804,580:84:0
471	2	309	07:02:30.600		DMS:	: *RUNUP	R115, TRACK 1, FWD, TIC *5695.56 +/-	400	4	0	6,804,580:85:8	6,804,580:85:8
472	2	309	07:02:34.600		DMS:	: *AT_SPD	R115, TRACK 1, FWD, TIC 5701.86 +/-	400	4	0	6,804,581:00:8	6,804,581:00:8
473	2	309	07:02:34.600		DMS:	: *RECORD	R115, TRACK 1, FWD, TIC *5701.86 +/-	400	4	0	6,804,581:00:8	6,804,581:00:8
474	2	309	07:02:34.733	175NL176A6A	6TMREC	HPW	115.2 KBPS PWS RECORD Record Mode Change	400	4	0	6,804,581:01:0	6,804,581:01:0
475	2	309	07:02:56.733	428JX6A	6RCCLR			400	4	0	6,804,581:34:0	6,804,581:34:0
476	2	309	07:02:57.400	428JX6B	6RCSET			400	4	0	6,804,581:35:0	6,804,581:35:0
477	2	309	07:03:22.066		DMS:	: *RUNDOWN	R115, TRACK 1, FWD, TIC *5868.74 +/-	400	4	0	6,804,581:72:0	6,804,581:72:0
478	2	309	07:03:22.066	175TM422A6A	6DMSC	R7,1	DMS Control Tape runup 7.68kbp	400	4	0	6,804,581:72:0	6,804,581:72:0
479	2	309	07:03:23.266		DMS:	: *RUNUP	R7, TRACK 1, FWD, TIC *5869.74 +/-	400	4	0	6,804,581:73:8	6,804,581:73:8
480	2	309	07:03:24.666		DMS:	: *AT_SPD	R7, TRACK 1, FWD, TIC 5869.86 +/-	400	4	0	6,804,581:75:9	6,804,581:75:9
481	2	309	07:03:24.666		DMS:	: *RECORD	R7, TRACK 1, FWD, TIC *5869.86 +/-	400	4	0	6,804,581:75:9	6,804,581:75:9
482	2	309	07:03:24.733	175TM176A6A	6TMREC	LPW	7.68 KBPS LOW RATE SCI PWS RECORD Record	400	4	0	6,804,581:76:0	6,804,581:76:0
483	2	309	07:08:40.066	175TM422A6B	6DMSC	RDY,0	DMS Control Tape stop	400	4	0	6,804,587:03:0	6,804,587:03:0
484	2	309	07:08:40.066		DMS:	: *RUNDOWN	R7, TRACK 1, FWD, TIC *5943.78 +/-	400	4	0	6,804,587:03:0	6,804,587:03:0
485	2	309	07:08:41.266		DMS:	: *READY	RDY, TRACK 1, FWD, TIC *5943.84 +/-	400	4	0	6,804,587:04:8	6,804,587:04:8
486	2	309	07:09:01.400	428JY6A	6RCCLR			400	4	0	6,804,587:35:0	6,804,587:35:0
487	2	309	07:09:11.400	465KD6A	6DMSC	RDY,2	DMS Control Tape stop	400	4	0	6,804,587:50:0	6,804,587:50:0
488	2	309	07:09:11.400		DMS:	: READY	RDY, TRACK 2, *REV, TIC 5943.84 +/-	400	4	0	6,804,587:50:0	6,804,587:50:0
489	2	309	07:10:28.733	175NY422A6A	6DMSC	R115,0	DMS Control Tape runup 115.2kb	400	4	0	6,804,588:75:0	6,804,588:75:0
490	2	309	07:10:28.733		DMS:	: *US-RUNUP	P7, TRACK *1, *FWD, TIC 5943.84 +/-	400	4	0	6,804,588:75:0	6,804,588:75:0
491	2	309	07:10:30.133		DMS:	: *US_AT_SP	P7, TRACK 1, FWD, TIC *5943.96 +/-	400	4	0	6,804,588:77:1	6,804,588:77:1
492	2	309	07:10:35.400		DMS:	: *US_RD	P7, TRACK 1, FWD, TIC *5945.19 +/-	400	4	0	6,804,588:85:0	6,804,588:85:0
493	2	309	07:10:36.600		DMS:	: *RUNUP	R115, TRACK *2, *REV, TIC *5945.25 +/-	400	4	0	6,804,588:86:8	6,804,588:86:8
494	2	309	07:10:40.066	175NY176A6A	6TMREC	HPW	115.2 KBPS PWS RECORD Record Mode Change	400	4	0	6,804,589:01:0	6,804,589:01:0
495	2	309	07:10:40.600		DMS:	: *AT_SPD	R115, TRACK 2, REV, TIC 5938.95 +/- 1	400	4	0	6,804,589:01:8	6,804,589:01:8
496	2	309	07:10:40.600		DMS:	: *RECORD	R115, TRACK 2, REV, TIC *5938.95 +/-	400	4	0	6,804,589:01:8	6,804,589:01:8
497	2	309	07:28:50.066	431CB6A	6RCDSL	DDSNCG,PLSNCG,EP	Record Deselect (DDS o	400	4	0	6,804,606:89:0	6,804,606:89:0
498	2	309	07:37:18.000	175NY422A6B	6DMSC	RDY,0	DMS Control Tape stop	400	4	0	6,804,615:32:0	6,804,615:32:0
499	2	309	07:37:18.000		DMS:	: *RUNDOWN	R115, TRACK 2, REV, TIC * 323.09 +/- 1	400	4	0	6,804,615:32:0	6,804,615:32:0
500	2	309	07:37:19.200		DMS:	: *READY	RDY, TRACK 2, REV, TIC * 322.09 +/- 1	400	4	0	6,804,615:33:8	6,804,615:33:8
501	2	309	07:38:20.666		DMS:	: READY	RDY, TRACK *3, *FWD, TIC 322.09 +/- 1	400	4	0	6,804,616:35:0	6,804,616:35:0
502	2	309	07:38:20.666	465KE6A	6DMSC	RDY,3	DMS Control Tape stop	400	4	0	6,804,616:35:0	6,804,616:35:0
503	2	309	07:38:47.333	175TN422A6A	6DMSC	R7,3	DMS Control	400	4	0	6,804,616:75:0	6,804,616:75:0
504	2	309	07:38:47.333		DMS:	: *E4-DELAY	RDY, TRACK *1, FWD, TIC 322.09 +/- 1	400	4	0	6,804,616:75:0	6,804,616:75:0
505	2	309	07:38:54.000		DMS:	: *RUNUP	R7, TRACK *3, FWD, TIC 322.09 +/- 1	400	4	0	6,804,616:85:0	6,804,616:85:0
506	2	309	07:38:55.333	175TN176A6A	6TMREC	LPW	7.68 KBPS LOW RATE SCI PWS RECORD Record	400	4	0	6,804,616:87:0	6,804,616:87:0
507	2	309	07:38:55.400		DMS:	: *AT_SPD	R7, TRACK 3, FWD, TIC 322.21 +/- 1	400	4	0	6,804,616:87:1	6,804,616:87:1
508	2	309	07:38:55.400		DMS:	: *RECORD	R7, TRACK 3, FWD, TIC * 322.21 +/- 1	400	4	0	6,804,616:87:1	6,804,616:87:1
509	2	309	07:41:01.333	432OE431A6A	6RCDSL	DDSNCG,PLSNCG,EP	Record Deselect (DDS o	400	4	0	6,804,619:03:0	6,804,619:03:0
510	2	309	07:41:02.000	432OE6A	6RTSL1		R/T Select of DDS and	400	4	0	6,804,619:04:0	6,804,619:04:0
511	2	309	07:53:30.000	428KA6A	6RCCLR			400	4	0	6,804,631:34:0	6,804,631:34:0
512	2	309	07:53:30.666	428KA6B	6RCSET			400	4	0	6,804,631:35:0	6,804,631:35:0
513	2	309	08:00:00.000	480SF6A	6MROH	44,23E8,0,A2	read from LLM2A44,23E8,0,A2	400	4	0	6,804,637:73:0	6,804,637:73:0
514	2	309	08:02:04.000	20RF6B	6RTSL1		R/T Select of DDS and	400	4	0	6,804,639:77:0	6,804,639:77:0
515	2	309	08:03:09.333	175NN422A6A	6DMSC	R115,3	DMS Control	400	4	0	6,804,640:84:0	6,804,640:84:0

Line	YR	DOY	SCET - GMT	PSID	Command	Parameters	Description	GCM	GO	GS	RIM	MFI
516	2	309	08:03:09.333		DMS:	:*RUNDOWN	R7, TRACK 3, FWD, TIC * 662.98 +/- 1	400	4	0	6,804,640:84:0	
517	2	309	08:03:10.533		DMS:	:*RUNUP	R115, TRACK 3, FWD, TIC * 663.04 +/- 1	400	4	0	6,804,640:85:8	
518	2	309	08:03:14.533		DMS:	:*RECORD	R115, TRACK 3, FWD, TIC * 669.34 +/- 1	400	4	0	6,804,641:00:8	
519	2	309	08:03:14.533		DMS:	:*AT_SPD	R115, TRACK 3, FWD, TIC 669.34 +/- 1	400	4	0	6,804,641:00:8	
520	2	309	08:03:14.666	175NN176A6A	6TMREC	HPW	115.2 KBPS PWS RECORD Record Mode Change	400	4	0	6,804,641:01:0	
521	2	309	08:03:36.666	428KB6A	6RCCLR		Sci, Eng, and D/L Chan	400	4	0	6,804,641:34:0	
522	2	309	08:03:36.666	488AN6B	6TMSED	NORM,AL3		400	4	0	6,804,641:34:0	
523	2	309	08:03:37.333	428KB6B	6RCSET			400	4	0	6,804,641:35:0	
524	2	309	08:04:02.000	175TO422A6A	6DMSC	R7,3	DMS Control	400	4	0	6,804,641:72:0	
525	2	309	08:04:02.000		DMS:	:*RUNDOWN	R115, TRACK 3, FWD, TIC * 836.21 +/- 1	400	4	0	6,804,641:72:0	
526	2	309	08:04:03.200		DMS:	:*RUNUP	R7, TRACK 3, FWD, TIC * 837.21 +/- 1	400	4	0	6,804,641:73:8	
527	2	309	08:04:04.600		DMS:	:*RECORD	R7, TRACK 3, FWD, TIC * 837.33 +/- 1	400	4	0	6,804,641:75:9	
528	2	309	08:04:04.600		DMS:	:*AT_SPD	R7, TRACK 3, FWD, TIC 837.33 +/- 1	400	4	0	6,804,641:75:9	
529	2	309	08:04:04.666	175TO176A6A	6TMREC	LPW	7.68 KBPS LOW RATE SCI PWS RECORD Record	400	4	0	6,804,641:76:0	
530	2	309	08:06:40.000	480SF6B	6MROH	45,23E8,0,B2	read from LLM2B45,23E8,0,B2	400	4	0	6,804,644:36:0	
531	2	309	08:08:38.666	488AN6C	6TMSED	NORM,AL4	Sci, Eng, and D/L Chan	400	4	0	6,804,646:32:0	
532	2	309	08:13:43.333	428KC6A	6RCCLR			400	4	0	6,804,651:34:0	
533	2	309	08:13:44.000	428KC6B	6RCSET			400	4	0	6,804,651:35:0	
534	2	309	08:23:22.666	175NO422A6A	6DMSC	R115,3	DMS Control	400	4	0	6,804,660:84:0	
535	2	309	08:23:22.666		DMS:	:*RUNDOWN	R7, TRACK 3, FWD, TIC * 1108.76 +/- 1	400	4	0	6,804,660:84:0	
536	2	309	08:23:23.866		DMS:	:*RUNUP	R115, TRACK 3, FWD, TIC * 1108.82 +/- 1	400	4	0	6,804,660:85:8	
537	2	309	08:23:27.866		DMS:	:*RECORD	R115, TRACK 3, FWD, TIC * 1115.12 +/- 1	400	4	0	6,804,661:00:8	
538	2	309	08:23:27.866		DMS:	:*AT_SPD	R115, TRACK 3, FWD, TIC 1115.12 +/- 1	400	4	0	6,804,661:00:8	
539	2	309	08:23:28.000	175NO176A6A	6TMREC	HPW	115.2 KBPS PWS RECORD Record Mode Change	400	4	0	6,804,661:01:0	
540	2	309	08:23:50.000	428KD6A	6RCCLR			400	4	0	6,804,661:34:0	
541	2	309	08:23:50.666	428KD6B	6RCSET			400	4	0	6,804,661:35:0	
542	2	309	08:24:15.333	175TP422A6A	6DMSC	R7,3	DMS Control	400	4	0	6,804,661:72:0	
543	2	309	08:24:15.333		DMS:	:*RUNDOWN	R115, TRACK 3, FWD, TIC * 1281.99 +/- 1	400	4	0	6,804,661:72:0	
544	2	309	08:24:16.533		DMS:	:*RUNUP	R7, TRACK 3, FWD, TIC * 1282.99 +/- 1	400	4	0	6,804,661:73:8	
545	2	309	08:24:17.933		DMS:	:*AT_SPD	R7, TRACK 3, FWD, TIC 1283.11 +/- 1	400	4	0	6,804,661:75:9	
546	2	309	08:24:17.933		DMS:	:*RECORD	R7, TRACK 3, FWD, TIC * 1283.11 +/- 1	400	4	0	6,804,661:75:9	
547	2	309	08:24:18.000	175TP176A6A	6TMREC	LPW	7.68 KBPS LOW RATE SCI PWS RECORD Record	400	4	0	6,804,661:76:0	
548	2	309	08:33:56.666	428KE6A	6RCCLR			400	4	0	6,804,671:34:0	
549	2	309	08:33:57.333	428KE6B	6RCSET			400	4	0	6,804,671:35:0	
550	2	309	08:43:36.000	175NP422A6A	6DMSC	R115,3	DMS Control	400	4	0	6,804,680:84:0	
551	2	309	08:43:36.000		DMS:	:*RUNDOWN	R7, TRACK 3, FWD, TIC * 1554.53 +/- 1	400	4	0	6,804,680:84:0	
552	2	309	08:43:37.200		DMS:	:*RUNUP	R115, TRACK 3, FWD, TIC * 1554.59 +/- 1	400	4	0	6,804,680:85:8	
553	2	309	08:43:41.200		DMS:	:*RECORD	R115, TRACK 3, FWD, TIC * 1560.89 +/- 1	400	4	0	6,804,681:00:8	
554	2	309	08:43:41.200		DMS:	:*AT_SPD	R115, TRACK 3, FWD, TIC 1560.89 +/- 1	400	4	0	6,804,681:00:8	
555	2	309	08:43:41.333	175NP176A6A	6TMREC	HPW	115.2 KBPS PWS RECORD Record Mode Change	400	4	0	6,804,681:01:0	
556	2	309	08:44:03.333	428KF6A	6RCCLR			400	4	0	6,804,681:34:0	
557	2	309	08:44:04.000	428KF6B	6RCSET			400	4	0	6,804,681:35:0	
558	2	309	08:44:28.666	175TQ422A6A	6DMSC	R7,3	DMS Control	400	4	0	6,804,681:72:0	
559	2	309	08:44:28.666		DMS:	:*RUNDOWN	R115, TRACK 3, FWD, TIC * 1727.77 +/- 1	400	4	0	6,804,681:72:0	
560	2	309	08:44:29.866		DMS:	:*RUNUP	R7, TRACK 3, FWD, TIC * 1728.77 +/- 1	400	4	0	6,804,681:73:8	
561	2	309	08:44:31.266		DMS:	:*RECORD	R7, TRACK 3, FWD, TIC * 1728.89 +/- 1	400	4	0	6,804,681:75:9	
562	2	309	08:44:31.266		DMS:	:*AT_SPD	R7, TRACK 3, FWD, TIC 1728.89 +/- 1	400	4	0	6,804,681:75:9	

Line	YR	DOY	SCET - GMT	PSID	Command Parameters	Description	GCM	GO	GS	RIM	MF I
563	2	309	08:44:31.333	175TQ176A6A	6TMREC LPW	7.68 KBPS LOW RATE SCI PWS RECORD	400	4	0	6,804,681:76:0	
564	2	309	08:50:25.333	488AN6D	6TMSED FILL,AL4	Sci, Eng, and D/L Chan	400	4	0	6,804,687:61:0	
565	2	309	08:54:10.000	428KG6A	6RCCLR		400	4	0	6,804,691:34:0	
566	2	309	08:54:10.666	428KG6B	6RCSET		400	4	0	6,804,691:35:0	
567	2	309	09:02:04.000	20RG6B	6RTSL1	12 R/T Select of DDS and	400	4	0	6,804,699:17:0	
568	2	309	09:03:49.333		DMS: : *RUNDOWN	R7, TRACK 3, FWD, TIC *2000.31 +/- 1	400	4	0	6,804,700:84:0	
569	2	309	09:03:49.333	175NQ422A6A	6DMSC R115,3	DMS Control	400	4	0	6,804,700:84:0	
570	2	309	09:03:50.533		DMS: : *RUNUP	R115, TRACK 3, FWD, TIC *2000.37 +/- 1	400	4	0	6,804,700:85:8	
571	2	309	09:03:54.533		DMS: : *RECORD	R115, TRACK 3, FWD, TIC *2006.67 +/- 1	400	4	0	6,804,701:00:8	
572	2	309	09:03:54.533		DMS: : *AT_SPD	R115, TRACK 3, FWD, TIC 2006.67 +/- 1	400	4	0	6,804,701:00:8	
573	2	309	09:03:54.666	175NQ176A6A	6TMREC HPW	115.2 KBPS PWS RECORD	400	4	0	6,804,701:01:0	
574	2	309	09:04:16.666	428KH6A	6RCCLR		400	4	0	6,804,701:34:0	
575	2	309	09:04:17.333	428KH6B	6RCSET		400	4	0	6,804,701:35:0	
576	2	309	09:04:42.000	175TR422A6A	6DMSC R7,3	DMS Control	400	4	0	6,804,701:72:0	
577	2	309	09:04:42.000		DMS: : *RUNDOWN	R115, TRACK 3, FWD, TIC *2173.54 +/- 1	400	4	0	6,804,701:72:0	
578	2	309	09:04:43.200		DMS: : *RUNUP	R7, TRACK 3, FWD, TIC *2174.54 +/- 1	400	4	0	6,804,701:73:8	
579	2	309	09:04:44.600		DMS: : *RECORD	R7, TRACK 3, FWD, TIC *2174.66 +/- 1	400	4	0	6,804,701:75:9	
580	2	309	09:04:44.600		DMS: : *AT_SPD	R7, TRACK 3, FWD, TIC 2174.66 +/- 1	400	4	0	6,804,701:75:9	
581	2	309	09:04:44.666	175TR176A6A	6TMREC LPW	7.68 KBPS LOW RATE SCI PWS RECORD	400	4	0	6,804,701:76:0	
582	2	309	09:14:23.333	428K16A	6RCCLR		400	4	0	6,804,711:34:0	
583	2	309	09:14:24.000	428K16B	6RCSET		400	4	0	6,804,711:35:0	
584	2	309	09:24:02.666	175NR422A6A	6DMSC R115,3	DMS Control	400	4	0	6,804,720:84:0	
585	2	309	09:24:02.666		DMS: : *RUNDOWN	R7, TRACK 3, FWD, TIC *2446.09 +/- 1	400	4	0	6,804,720:84:0	
586	2	309	09:24:03.866		DMS: : *RUNUP	R115, TRACK 3, FWD, TIC *2446.15 +/- 1	400	4	0	6,804,720:85:8	
587	2	309	09:24:07.866		DMS: : *AT_SPD	R115, TRACK 3, FWD, TIC 2452.45 +/- 1	400	4	0	6,804,721:00:8	
588	2	309	09:24:07.866		DMS: : *RECORD	R115, TRACK 3, FWD, TIC *2452.45 +/- 1	400	4	0	6,804,721:00:8	
589	2	309	09:24:08.000	175NR176A6A	6TMREC HPW	115.2 KBPS PWS RECORD	400	4	0	6,804,721:01:0	
590	2	309	09:24:30.000	428KJ6A	6RCCLR		400	4	0	6,804,721:34:0	
591	2	309	09:24:30.666	428KJ6B	6RCSET		400	4	0	6,804,721:35:0	
592	2	309	09:24:55.333		DMS: : *RUNDOWN	R115, TRACK 3, FWD, TIC *2619.32 +/- 1	400	4	0	6,804,721:72:0	
593	2	309	09:24:55.333	175TS422A6A	6DMSC R7,3	DMS Control	400	4	0	6,804,721:72:0	
594	2	309	09:24:56.533		DMS: : *RUNUP	R7, TRACK 3, FWD, TIC *2620.32 +/- 1	400	4	0	6,804,721:73:8	
595	2	309	09:24:57.933		DMS: : *AT_SPD	R7, TRACK 3, FWD, TIC 2620.44 +/- 1	400	4	0	6,804,721:75:9	
596	2	309	09:24:57.933		DMS: : *RECORD	R7, TRACK 3, FWD, TIC *2620.44 +/- 1	400	4	0	6,804,721:75:9	
597	2	309	09:24:58.000	175TS176A6A	6TMREC LPW	7.68 KBPS LOW RATE SCI PWS RECORD	400	4	0	6,804,721:76:0	
598	2	309	09:34:04.666	488AN6E	6TMSED NORM,AL4	Sci, Eng, and D/L Chan	400	4	0	6,804,730:77:0	
599	2	309	09:34:36.666	428KK6A	6RCCLR		400	4	0	6,804,731:34:0	
600	2	309	09:34:37.333	428KK6B	6RCSET		400	4	0	6,804,731:35:0	
601	2	309	09:44:16.000	175NS422A6A	6DMSC R115,3	DMS Control	400	4	0	6,804,740:84:0	
602	2	309	09:44:16.000		DMS: : *RUNDOWN	R7, TRACK 3, FWD, TIC *2891.86 +/- 1	400	4	0	6,804,740:84:0	
603	2	309	09:44:17.200		DMS: : *RUNUP	R115, TRACK 3, FWD, TIC *2891.92 +/- 1	400	4	0	6,804,740:85:8	
604	2	309	09:44:21.200		DMS: : *RECORD	R115, TRACK 3, FWD, TIC *2898.22 +/- 1	400	4	0	6,804,741:00:8	
605	2	309	09:44:21.200		DMS: : *AT_SPD	R115, TRACK 3, FWD, TIC 2898.22 +/- 1	400	4	0	6,804,741:00:8	
606	2	309	09:44:21.333	175NS176A6A	6TMREC HPW	115.2 KBPS PWS RECORD	400	4	0	6,804,741:01:0	
607	2	309	09:44:43.333	428K16A	6RCCLR		400	4	0	6,804,741:34:0	
608	2	309	09:44:44.000	428K16B	6RCSET		400	4	0	6,804,741:35:0	
609	2	309	09:45:08.666		DMS: : *RUNDOWN	R115, TRACK 3, FWD, TIC *3065.10 +/- 1	400	4	0	6,804,741:72:0	

Line	YR	DOY	SCET - GMT	PSID	Command Parameters	Description	GCM	GO	GS	RIM	MF I
610	2	309	09:45:08.666	175T1422A6A	6DMSC R7,3	DMS Control	400	4	0	6,804,741:72:0	
611	2	309	09:45:09.866		DMS: : *RUNUP	R7, TRACK 3, FWD, TIC *3066.10 +/- 1	400	4	0	6,804,741:73:8	
612	2	309	09:45:11.266		DMS: : *AT_SPD	R7, TRACK 3, FWD, TIC *3066.22 +/- 1	400	4	0	6,804,741:75:9	
613	2	309	09:45:11.266		DMS: : *RECORD	R7, TRACK 3, FWD, TIC *3066.22 +/- 1	400	4	0	6,804,741:75:9	
614	2	309	09:45:11.333	175T1176A6A	6TMREC LPW	7.68 KBPS LOW RATE SCI PWS RECORD	400	4	0	6,804,741:76:0	
615	2	309	09:54:50.000	428KM6A	6RCCLR		400	4	0	6,804,751:34:0	
616	2	309	09:54:50.666	428KM6B	6RCSET		400	4	0	6,804,751:35:0	
617	2	309	10:02:04.000	20RH6B	6RTSL1	R/T Select of DDS and	400	4	0	6,804,758:48:0	
618	2	309	10:04:29.333		DMS: : *RUNDOWN	R7, TRACK 3, FWD, TIC *3337.64 +/- 1	400	4	0	6,804,760:84:0	
619	2	309	10:04:29.333	175NT422A6A	6DMSC R115,3	DMS Control	400	4	0	6,804,760:84:0	
620	2	309	10:04:30.533		DMS: : *RUNUP	R115, TRACK 3, FWD, TIC *3337.70 +/- 1	400	4	0	6,804,760:85:8	
621	2	309	10:04:34.533		DMS: : *AT_SPD	R115, TRACK 3, FWD, TIC *3344.00 +/- 1	400	4	0	6,804,761:00:8	
622	2	309	10:04:34.533		DMS: : *RECORD	R115, TRACK 3, FWD, TIC *3344.00 +/- 1	400	4	0	6,804,761:00:8	
623	2	309	10:04:34.666	175NT176A6A	6TMREC HPW	115.2 KBPS PWS RECORD	400	4	0	6,804,761:01:0	
624	2	309	10:04:56.666	428KN6A	6RCCLR		400	4	0	6,804,761:34:0	
625	2	309	10:04:57.333	428KN6B	6RCSET		400	4	0	6,804,761:35:0	
626	2	309	10:05:22.000		DMS: : *RUNDOWN	R115, TRACK 3, FWD, TIC *3510.88 +/- 1	400	4	0	6,804,761:72:0	
627	2	309	10:05:22.000	175TU422A6A	6DMSC R7,3	DMS Control	400	4	0	6,804,761:72:0	
628	2	309	10:05:23.200		DMS: : *RUNUP	R7, TRACK 3, FWD, TIC *3511.88 +/- 1	400	4	0	6,804,761:73:8	
629	2	309	10:05:24.600		DMS: : *RECORD	R7, TRACK 3, FWD, TIC *3512.00 +/- 1	400	4	0	6,804,761:75:9	
630	2	309	10:05:24.600		DMS: : *AT_SPD	R7, TRACK 3, FWD, TIC *3512.00 +/- 1	400	4	0	6,804,761:75:9	
631	2	309	10:05:24.666	175TU176A6A	6TMREC LPW	7.68 KBPS LOW RATE SCI PWS RECORD	400	4	0	6,804,761:76:0	
632	2	309	10:15:03.333	428KO6A	6RCCLR		400	4	0	6,804,771:34:0	
633	2	309	10:15:04.000	428KO6B	6RCSET		400	4	0	6,804,771:35:0	
634	2	309	10:24:42.666		DMS: : *RUNDOWN	R7, TRACK 3, FWD, TIC *3783.42 +/- 1	400	4	0	6,804,780:84:0	
635	2	309	10:24:42.666	175NU422A6A	6DMSC R115,3	DMS Control	400	4	0	6,804,780:84:0	
636	2	309	10:24:43.866		DMS: : *RUNUP	R115, TRACK 3, FWD, TIC *3783.48 +/- 1	400	4	0	6,804,780:85:8	
637	2	309	10:24:47.866		DMS: : *RECORD	R115, TRACK 3, FWD, TIC *3789.78 +/- 1	400	4	0	6,804,781:00:8	
638	2	309	10:24:47.866		DMS: : *AT_SPD	R115, TRACK 3, FWD, TIC *3789.78 +/- 1	400	4	0	6,804,781:00:8	
639	2	309	10:24:48.000	175NU176A6A	6TMREC HPW	115.2 KBPS PWS RECORD	400	4	0	6,804,781:01:0	
640	2	309	10:25:10.000	428KP6A	6RCCLR		400	4	0	6,804,781:34:0	
641	2	309	10:25:10.666	428KP6B	6RCSET		400	4	0	6,804,781:35:0	
642	2	309	10:25:35.333		DMS: : *RUNDOWN	R115, TRACK 3, FWD, TIC *3956.65 +/- 1	400	4	0	6,804,781:72:0	
643	2	309	10:25:35.333	175TV422A6A	6DMSC R7,3	DMS Control	400	4	0	6,804,781:72:0	
644	2	309	10:25:36.533		DMS: : *RUNUP	R7, TRACK 3, FWD, TIC *3957.65 +/- 1	400	4	0	6,804,781:73:8	
645	2	309	10:25:37.933		DMS: : *RECORD	R7, TRACK 3, FWD, TIC *3957.77 +/- 1	400	4	0	6,804,781:75:9	
646	2	309	10:25:37.933		DMS: : *AT_SPD	R7, TRACK 3, FWD, TIC *3957.77 +/- 1	400	4	0	6,804,781:75:9	
647	2	309	10:25:38.000	175TV176A6A	6TMREC LPW	7.68 KBPS LOW RATE SCI PWS RECORD	400	4	0	6,804,781:76:0	
648	2	309	10:30:00.000	480SN6A	6MROH 44,23E8,0,A2	read from LLM2A44,23E8,0,A2	400	4	0	6,804,786:14:0	
649	2	309	10:35:16.666	428KO6A	6RCCLR		400	4	0	6,804,791:34:0	
650	2	309	10:35:17.333	428KO6B	6RCSET		400	4	0	6,804,791:35:0	
651	2	309	10:36:40.000	480SN6B	6MROH 45,23E8,0,B2	read from LLM2B45,23E8,0,B2	400	4	0	6,804,792:68:0	
652	2	309	10:44:56.000		DMS: : *RUNDOWN	R7, TRACK 3, FWD, TIC *4229.19 +/- 1	400	4	0	6,804,800:84:0	
653	2	309	10:44:56.000	175NV422A6A	6DMSC R115,3	DMS Control	400	4	0	6,804,800:84:0	
654	2	309	10:44:57.200		DMS: : *RUNUP	R115, TRACK 3, FWD, TIC *4229.25 +/- 1	400	4	0	6,804,800:85:8	
655	2	309	10:45:01.200		DMS: : *RECORD	R115, TRACK 3, FWD, TIC *4235.55 +/- 1	400	4	0	6,804,801:00:8	
656	2	309	10:45:01.200		DMS: : *AT_SPD	R115, TRACK 3, FWD, TIC *4235.55 +/- 1	400	4	0	6,804,801:00:8	

Line	YR	DOY	SCET - GMT	PSID	Command	Parameters	Description	GCM	GO	GS	RIM	MFI
657	2	309	10:45:01.333	175NW176A6A	6TMREC	HPW	115.2 KBPS PWS RECORD	400	4	0	6,804,801:01:0	0
658	2	309	10:45:23.333	428KR6A	6RCCLR		Record Mode Change	400	4	0	6,804,801:34:0	0
659	2	309	10:45:24.000	428KR6B	6RCSET			400	4	0	6,804,801:35:0	0
660	2	309	10:45:48.666	175TW422A6A	6DMSC	R7,3	DMS Control	400	4	0	6,804,801:72:0	0
661	2	309	10:45:48.666		DMS:	: *RUNDOWN	R115, TRACK 3, FWD, TIC *4402.43 +/- 1	400	4	0	6,804,801:72:0	0
662	2	309	10:45:49.866		DMS:	: *RUNUP	R7, TRACK 3, FWD, TIC *4403.43 +/- 1	400	4	0	6,804,801:73:8	0
663	2	309	10:45:51.266		DMS:	: *RECORD	R7, TRACK 3, FWD, TIC *4403.55 +/- 1	400	4	0	6,804,801:75:9	0
664	2	309	10:45:51.266		DMS:	: *AT_SPD	R7, TRACK 3, FWD, TIC 4403.55 +/- 1	400	4	0	6,804,801:75:9	0
665	2	309	10:45:51.333	175TW176A6A	6TMREC	LPW	7.68 KBPS LOW RATE SCI PWS RECORD	400	4	0	6,804,801:76:0	0
666	2	309	10:55:30.000	428KS6A	6RCCLR			400	4	0	6,804,811:34:0	0
667	2	309	10:55:30.666	428KS6B	6RCSET			400	4	0	6,804,811:35:0	0
668	2	309	11:05:09.333	175NW422A6A	6DMSC	R115,3	DMS Control	400	4	0	6,804,820:84:0	0
669	2	309	11:05:09.333		DMS:	: *RUNDOWN	R7, TRACK 3, FWD, TIC *4674.97 +/- 1	400	4	0	6,804,820:84:0	0
670	2	309	11:05:10.533		DMS:	: *RUNUP	R115, TRACK 3, FWD, TIC *4675.03 +/- 1	400	4	0	6,804,820:85:8	0
671	2	309	11:05:14.533		DMS:	: *RECORD	R115, TRACK 3, FWD, TIC *4681.33 +/- 1	400	4	0	6,804,821:00:8	0
672	2	309	11:05:14.533		DMS:	: *AT_SPD	R115, TRACK 3, FWD, TIC 4681.33 +/- 1	400	4	0	6,804,821:00:8	0
673	2	309	11:05:14.666	175NW176A6A	6TMREC	HPW	115.2 KBPS PWS RECORD	400	4	0	6,804,821:01:0	0
674	2	309	11:05:36.666	428KT6A	6RCCLR			400	4	0	6,804,821:34:0	0
675	2	309	11:05:37.333	428KT6B	6RCSET			400	4	0	6,804,821:35:0	0
676	2	309	11:06:02.000	175TX422A6A	6DMSC	R7,3	DMS Control	400	4	0	6,804,821:72:0	0
677	2	309	11:06:02.000		DMS:	: *RUNDOWN	R115, TRACK 3, FWD, TIC *4848.21 +/- 1	400	4	0	6,804,821:72:0	0
678	2	309	11:06:03.200		DMS:	: *RUNUP	R7, TRACK 3, FWD, TIC *4849.21 +/- 1	400	4	0	6,804,821:73:8	0
679	2	309	11:06:04.600		DMS:	: *AT_SPD	R7, TRACK 3, FWD, TIC 4849.33 +/- 1	400	4	0	6,804,821:75:9	0
680	2	309	11:06:04.600		DMS:	: *RECORD	R7, TRACK 3, FWD, TIC *4849.33 +/- 1	400	4	0	6,804,821:75:9	0
681	2	309	11:06:04.666	175TX176A6A	6TMREC	LPW	7.68 KBPS LOW RATE SCI PWS RECORD	400	4	0	6,804,821:76:0	0
682	2	309	11:15:44.000	428KU6A	6RCCLR			400	4	0	6,804,831:35:0	0
683	2	309	11:20:22.000	432JB431A6A	6RCDSL	DDSDSL,PLSNCG,EP	Record Deselect (DDS o	400	4	0	6,804,835:88:0	0
684	2	309	11:20:22.666	432JB6A	6RTSL1		R/T Select of DDS and	400	4	0	6,804,835:89:0	0
685	2	309	11:28:30.000	20UN4A	7SLEW	DIS,POS,0.0	Stator movement	400	4	0	6,804,844:01:0	0
686	2	309	12:02:04.000	20RJ6B	6RTSL1		R/T Select of DDS and	400	4	0	6,804,877:19:0	0
687	2	309	12:22:06.666	175TX422A6B	6DMSC	RDY,0	DMS Control Tape stop	400	4	0	6,804,897:03:0	0
688	2	309	12:22:06.666		DMS:	: *RUNDOWN	R7, TRACK 3, FWD, TIC *5918.56 +/- 1	400	4	0	6,804,897:03:0	0
689	2	309	12:22:07.866		DMS:	: *READY	RDY, TRACK 3, FWD, TIC *5918.62 +/- 1	400	4	0	6,804,897:04:8	0
690	2	309	12:23:11.333	282NB431A6A	6RCDSL	DDSNCG,PLSDSL,EP	Record Deselect (DDS o	400	4	0	6,804,898:09:0	0
691	2	309	12:24:00.000	282NB432A431A6A	6RCDSL	DDSNCG,PLSDSL,EP	Record Deselect (DDS o	400	4	0	6,804,898:82:0	0
692	2	309	12:24:00.666	282NB432A6A	6RTSL1		R/T Select of DDS and	400	4	0	6,804,898:83:0	0
693	2	309	12:30:00.000	480SG6A	6MROH	44,23E8,0,A2	read from LLM2A44,23E8,0,A2	400	4	0	6,804,904:76:0	0
694	2	309	12:36:40.000	480SG6B	6MROH	45,23E8,0,B2	read from LLM2B45,23E8,0,B2	400	4	0	6,804,911:39:0	0
695	2	309	13:00:00.000	488AO6A	6TMSED	NORM,AH4	Sci, Eng, and D/L Chan	400	4	0	6,804,934:46:0	0
696	2	309	14:02:04.000	20RK6B	6RTSL1		R/T Select of DDS and	400	4	0	6,804,995:81:0	0
697	2	309	15:30:14.666	488AO6B	6TMSED	NORM,AH3	Sci, Eng, and D/L Chan	400	4	0	6,805,083:09:0	0
698	2	309	16:02:04.000	20FL6B	6RTSL1		R/T Select of DDS and	400	4	0	6,805,114:52:0	0
699	2	309	16:06:30.666	488AO6C	6TMSED	NORM,AH4	Sci, Eng, and D/L Chan	400	4	0	6,805,118:88:0	0
700	2	309	16:18:00.666	480SD6A	6MROH	44,23E8,0,A10	read from LLM2A44,23E8,0,A1	400	4	0	6,805,130:31:0	0
701	2	309	16:19:20.666	480SD6B	6MROH	45,23E8,0,B10	read from LLM2B45,23E8,0,B1	400	4	0	6,805,131:60:0	0
702	2	309	17:00:20.000	488AO6D	6TMSED	FILL,AH4	Sci, Eng, and D/L Chan	400	4	0	6,805,172:18:0	0
703	2	309	17:43:59.333	488AO6E	6TMSED	NORM,AH4	Sci, Eng, and D/L Chan	400	4	0	6,805,215:34:0	0

Line	YR	DOY	SCET - GMT	PSID	Command	Parameters	Description	GCM	GO	GS	RIM	MFI
704	2	309	18:02:04.000	20CX6B	6RTSL1		R/T Select of DDS and	400	4	0	6,805,233:23:0	
705	2	309	21:02:04.000	20RN6B	6RTSL1		R/T Select of DDS and	400	4	0	6,805,411:25:0	
706	2	309	21:29:00.666	480SE6A	6MROH	44,23E8,0,A10	read from LLM2A44,23E8,0,A1	400	4	0	6,805,437:84:0	
707	2	309	21:30:20.666	480SE6B	6MROH	45,23E8,0,B10	read from LLM2B45,23E8,0,B1	400	4	0	6,805,439:22:0	
708	2	309	22:33:56.000	20MD6A	6CKSUM	MAG,4040,46F0		400	4	0	6,805,502:12:0	
709	2	309	22:34:52.666	480MA6A	6MROH	12,2282,0,A10	read from LLM1A12,2282,0,A1	400	4	0	6,805,503:06:0	
710	2	309	22:34:52.666	480MA6	6MROH		12 read from LLM1A12,2282,0,A1	400	4	0	6,805,503:06:0	
711	2	309	23:15:18.666	488AP6A	6TMSED	NORM,AH3	Sci, Eng, and D/L Chan	400	4	0	6,805,543:05:0	
712	2	309	23:30:14.666	488AP6B	6TMSED	NORM,AH2	Sci, Eng, and D/L Chan	400	4	0	6,805,557:75:0	
713	2	309	23:51:34.666	488AP6C	6TMSED	NORM,AH3	Sci, Eng, and D/L Chan	400	4	0	6,805,578:84:0	
714	2	310	00:02:04.000	20XA6B	6RTSL1		R/T Select of DDS and	400	4	0	6,805,589:27:0	
715	2	310	00:42:46.666	488AP6D	6TMSED	NORM,AH4	Sci, Eng, and D/L Chan	400	4	0	6,805,629:51:0	
716	2	310	00:55:16.000	488AP6E	6TMSED	FILL,AH4	Sci, Eng, and D/L Chan	400	4	0	6,805,641:83:0	
717	2	310	01:41:00.666	432OV431A6A	6RCDSL	DDSNCG,PLSNCG,EP	Record Deselect (DDS o	400	4	0	6,805,687:14:0	
718	2	310	01:41:01.333	432OV6A	6RTSL1		R/T Select of DDS and	400	4	0	6,805,687:15:0	
719	2	310	01:43:55.333	488AQ6A	6TMSED	NORM,AH4	Sci, Eng, and D/L Chan	400	4	0	6,805,690:03:0	
720	2	310	01:45:00.000	20TS4A	7SAFE	STOP	S/P NO MOVEMENT	400	4	0	6,805,691:09:0	
721	2	310	01:45:50.000	20TS4B	7SLEW	DIS,POS,0.0	Stator movement	400	4	0	6,805,691:84:0	
722	2	310	01:45:58.000	20TS4F	7STAR	1,1158,218.9611,	Star catalog update	400	4	0	6,805,692:05:0	
723	2	310	01:46:00.000	20TS4G	7STAR	2,240,239.3429,-	Star catalog update	400	4	0	6,805,692:08:0	
724	2	310	01:46:02.000	20TS4H	7STAR	3,114,27.9693,20	Star catalog update	400	4	0	6,805,692:11:0	
725	2	310	01:46:04.000	20TS4I	7STAR	4,0,0,0,0,0	Star catalog update	400	4	0	6,805,692:14:0	
726	2	310	01:46:06.000	20TS4J	7STAR	5,0,0,0,0,0	Star catalog update	400	4	0	6,805,692:17:0	
727	2	310	01:46:08.000	20TS4K	7STAR	6,0,0,0,0,0	Star catalog update	400	4	0	6,805,692:20:0	
728	2	310	01:50:02.666	432OZ431A6A	6RCDSL	DDSNCG,PLSNCG,EP	Record Deselect (DDS o	400	4	0	6,805,696:08:0	
729	2	310	01:50:03.333	432OZ6A	6RTSL1		R/T Select of DDS and	400	4	0	6,805,696:09:0	
730	2	310	02:29:23.333		DMS:	:*E4-DELAY	RDY, TRACK *1, FWD, TIC 5918.62 +/- 1	400	4	0	6,805,735:00:0	
731	2	310	02:29:23.333	411JD6A	6DMSC	R7,0	DMS Control Tape runup 7.68kps	400	4	0	6,805,735:00:0	
732	2	310	02:29:30.000		DMS:	:*RUNUP	R7, TRACK *3, FWD, TIC 5918.62 +/- 1	400	4	0	6,805,735:10:0	
733	2	310	02:29:31.400		DMS:	:*RECORD	R7, TRACK 3, FWD, TIC *5918.74 +/- 1	400	4	0	6,805,735:12:1	
734	2	310	02:29:31.400		DMS:	:*AT_SPD	R7, TRACK 3, FWD, TIC 5918.74 +/- 1	400	4	0	6,805,735:12:1	
735	2	310	02:29:33.333	411JD6B	6TMREC	BDT	7.68 KBPS BUFFER DUMP TO TAPE Record Mode	400	4	0	6,805,735:15:0	
736	2	310	02:31:34.666	411JD6C	6TMREC	NRC	NO RECORD Record Mode Change	400	4	0	6,805,737:15:0	
737	2	310	02:31:35.333	411JD6D	6DMSC	RDY,0	DMS Control Tape stop	400	4	0	6,805,737:16:0	
738	2	310	02:31:35.333		DMS:	:*RUNDOWN	R7, TRACK 3, FWD, TIC *5947.79 +/- 1	400	4	0	6,805,737:16:0	
739	2	310	02:31:36.533		DMS:	:*READY	RDY, TRACK 3, FWD, TIC *5947.85 +/- 1	400	4	0	6,805,737:17:8	
740	2	310	02:34:26.666	465KF6A	6DMST		DMS Slew to TIC	400	4	0	6,805,740:00:0	
741	2	310	02:34:26.666		DMS:	:*SLEW-TIC	P7, TRACK *2, *REV, TIC 5947.85 +/- 1	400	4	0	6,805,740:00:0	
742	2	310	02:34:26.666		DMS:	:*US-RUNUP	P7, TRACK *1, *FWD, TIC 5947.85 +/- 1	400	4	0	6,805,740:00:0	
743	2	310	02:34:28.066		DMS:	:*US_AT_SP	P7, TRACK 1, FWD, TIC *5947.97 +/- 1	400	4	0	6,805,740:02:1	
744	2	310	02:34:33.333		DMS:	:*US_RD	P7, TRACK 1, FWD, TIC *5949.20 +/- 1	400	4	0	6,805,740:10:0	
745	2	310	02:34:34.533		DMS:	:*RUNUP	P7, TRACK *2, *REV, TIC *5949.26 +/- 1	400	4	0	6,805,740:11:8	
746	2	310	02:34:35.933		DMS:	:*AT_SPD	P7, TRACK 2, REV, TIC *5949.14 +/- 1	400	4	0	6,805,740:13:9	
747	2	310	03:02:04.000	20XB6B	6RTSL1		R/T Select of DDS and	400	4	0	6,805,767:29:0	
748	2	310	05:55:50.133		DMS:	:*RUNDOWN	P7, TRACK 2, REV, TIC *3119.06 +/- 1	400	4	0	6,805,939:16:2	
749	2	310	05:55:51.333		DMS:	:*READY	RDY, TRACK 2, REV, TIC *3119.00 +/- 1	400	4	0	6,805,939:18:0	
750	2	310	06:02:04.000	20XC6B	6RTSL1		R/T Select of DDS and	400	4	0	6,805,945:31:0	

Line	YR	DOY	SCET - GMT	PSID	Command	Parameters	Description	GCM	GO	GS	RIM	MF I
751	2	310	06:09:48.666	465KG6A	6DMSC	RDY,2	DMS Control Tape stop	400	4	0	6,805,953:00:0	
752	2	310	06:18:43.333		DMS:	: *US-RUNUP	P7, TRACK *1, *FWD, TIC 3119.00 +/- 1	400	4	0	6,805,961:74:0	
753	2	310	06:18:43.333	175BN422A6A	6DMSC	R7,0	DMS Control Tape runup 7.68kps	400	4	0	6,805,961:74:0	
754	2	310	06:18:44.733		DMS:	: *US_AT_SP	P7, TRACK 1, FWD, TIC *3119.12 +/- 1	400	4	0	6,805,961:76:1	
755	2	310	06:18:50.000		DMS:	: *US_RD	P7, TRACK 1, FWD, TIC *3120.35 +/- 1	400	4	0	6,805,961:84:0	
756	2	310	06:18:51.200		DMS:	: *RUNUP	P7, TRACK *2, *REV, TIC *3120.41 +/- 1	400	4	0	6,805,961:85:8	
757	2	310	06:18:52.000	175BN176A6A	6TMREC	LPW	7.68 KBPS LOW RATE SCI PWS RECORD	400	4	0	6,805,961:87:0	
758	2	310	06:18:52.000	282NC431A6A	6RCSEL	DDSNCG,PLSSEL,EP	Record Select (DDS onl)	400	4	0	6,805,961:87:0	
759	2	310	06:18:52.600		DMS:	: *RECORD	R7, TRACK 2, REV, TIC *3120.29 +/- 1	400	4	0	6,805,961:87:9	
760	2	310	06:18:52.600		DMS:	: *AT_SPD	R7, TRACK 2, REV, TIC 3120.29 +/- 1	400	4	0	6,805,961:87:9	
761	2	310	06:18:54.666	431OF6A	6RCSEL	DDSNCG,PLSNCG,EP	Record Select (DDS onl)	400	4	0	6,805,962:00:0	
762	2	310	06:30:00.000	480SH6A	6MROH	44,23E8,0,A10	read from LLM2A44,23E8,0,A1	400	4	0	6,805,972:88:0	
763	2	310	06:31:20.000	480SH6B	6MROH	45,23E8,0,B10	read from LLM2B45,23E8,0,B1	400	4	0	6,805,974:26:0	
764	2	310	06:58:22.666	432OF431A6A	6RCDSL	DDSNCG,PLSNCG,EP	Record Deselect (DDS o	400	4	0	6,806,001:03:0	
765	2	310	06:58:23.333	432OF6A	6RTSL1		R/T Select of DDS and	400	4	0	6,806,001:04:0	
766	2	310	06:58:26.666	282ND431A6A	6RCDSL	DDSNCG,PLSDSL,EP	Record Deselect (DDS o	400	4	0	6,806,001:09:0	
767	2	310	06:58:32.666		DMS:	: *RUNDOWN	R7, TRACK 2, REV, TIC *2562.47 +/- 1	400	4	0	6,806,001:18:0	
768	2	310	06:58:32.666	175BN422A6B	6DMSC	RDY,0	DMS Control Tape stop	400	4	0	6,806,001:18:0	
769	2	310	06:58:33.866		DMS:	: *READY	RDY, TRACK 2, REV, TIC *2562.41 +/- 1	400	4	0	6,806,001:19:8	
770	2	310	06:59:15.333	282ND432A431A6A	6RCDSL	DDSNCG,PLSDSL,EP	Record Deselect (DDS o	400	4	0	6,806,001:82:0	
771	2	310	06:59:16.000	282ND432A6A	6RTSL1		R/T Select of DDS and	400	4	0	6,806,001:83:0	
772	2	310	07:00:00.000	488AQ6B	6TMSED	NORM,AL4	Sci, Eng, and D/L Chan	400	4	0	6,806,002:58:0	
773	2	310	07:17:42.000	488AQ6C	6TMSED	FILL,AL4	Sci, Eng, and D/L Chan	400	4	0	6,806,020:13:0	
774	2	310	07:23:50.666	488AQ6D	6TMSED	FILL,AL3	Sci, Eng, and D/L Chan	400	4	0	6,806,026:20:0	
775	2	310	11:24:04.666	175BO422A6A	6DMSC	R7,0	DMS Control Tape runup 7.68kps	400	4	0	6,806,263:74:0	
776	2	310	11:24:04.666		DMS:	: *US-RUNUP	P7, TRACK *1, *FWD, TIC 2562.41 +/- 1	400	4	0	6,806,263:74:0	
777	2	310	11:24:06.066		DMS:	: *US_AT_SP	P7, TRACK 1, FWD, TIC *2562.53 +/- 1	400	4	0	6,806,263:76:1	
778	2	310	11:24:11.333		DMS:	: *US_RD	P7, TRACK 1, FWD, TIC *2563.76 +/- 1	400	4	0	6,806,263:84:0	
779	2	310	11:24:12.533		DMS:	: *RUNUP	P7, TRACK *2, *REV, TIC *2563.82 +/- 1	400	4	0	6,806,263:85:8	
780	2	310	11:24:13.333	282NE431A6A	6RCSEL	DDSNCG,PLSSEL,EP	Record Select (DDS onl)	400	4	0	6,806,263:87:0	
781	2	310	11:24:13.333	175BO176A6A	6TMREC	LPW	7.68 KBPS LOW RATE SCI PWS RECORD	400	4	0	6,806,263:87:0	
782	2	310	11:24:13.933		DMS:	: *RECORD	R7, TRACK 2, REV, TIC *2563.70 +/- 1	400	4	0	6,806,263:87:9	
783	2	310	11:24:13.933		DMS:	: *AT_SPD	R7, TRACK 2, REV, TIC 2563.70 +/- 1	400	4	0	6,806,263:87:9	
784	2	310	12:02:04.000	431OG6A	6RCSEL	DDSNCG,PLSNCG,EP	Record Select (DDS onl)	400	4	0	6,806,264:00:0	
785	2	310	12:02:04.000	20XD6B	6RTSL1		R/T Select of DDS and	400	4	0	6,806,301:35:0	
786	2	310	12:03:44.000	432OG431A6A	6RCDSL	DDSNCG,PLSNCG,EP	Record Deselect (DDS o	400	4	0	6,806,303:03:0	
787	2	310	12:03:44.666	432OG6A	6RTSL1		R/T Select of DDS and	400	4	0	6,806,303:04:0	
788	2	310	12:03:48.000	282NF431A6A	6RCDSL	DDSNCG,PLSDSL,EP	Record Deselect (DDS o	400	4	0	6,806,303:09:0	
789	2	310	12:03:54.000	175BO422A6B	6DMSC	RDY,0	DMS Control Tape stop	400	4	0	6,806,303:18:0	
790	2	310	12:03:54.000		DMS:	: *RUNDOWN	R7, TRACK 2, REV, TIC *2005.87 +/- 1	400	4	0	6,806,303:18:0	
791	2	310	12:03:55.200		DMS:	: *READY	RDY, TRACK 2, REV, TIC *2005.81 +/- 1	400	4	0	6,806,303:19:8	
792	2	310	12:04:36.666	282NF432A431A6A	6RCDSL	DDSNCG,PLSDSL,EP	Record Deselect (DDS o	400	4	0	6,806,303:82:0	
793	2	310	12:04:37.333	282NF432A6A	6RTSL1		R/T Select of DDS and	400	4	0	6,806,303:83:0	
794	2	310	14:59:38.000	411JE6A	6DMSC	R7,0	DMS Control Tape runup 7.68kps	400	4	0	6,806,477:00:0	
795	2	310	14:59:38.000		DMS:	: *US-RUNUP	P7, TRACK *1, *FWD, TIC 2005.81 +/- 1	400	4	0	6,806,477:00:0	
796	2	310	14:59:39.400		DMS:	: *US_AT_SP	P7, TRACK 1, FWD, TIC *2005.93 +/- 1	400	4	0	6,806,477:02:1	
797	2	310	14:59:44.666		DMS:	: *US_RD	P7, TRACK 1, FWD, TIC *2007.17 +/- 1	400	4	0	6,806,477:10:0	

Line	YR	DOY	SCET - GMT	PSID	Command	Parameters	Description	GCM	GO	GS	RIM	MFI
798	2	310	14:59:45.866		DMS:	: *RUNUP	R7, TRACK 2, *REV, TIC *2007.23 +/- 1	400	4	0	6,806,477:11:8	
799	2	310	14:59:47.266		DMS:	: *AT_SPD	R7, TRACK 2, REV, TIC 2007.11 +/- 1	400	4	0	6,806,477:13:9	
800	2	310	14:59:47.266		DMS:	: *RECORD	R7, TRACK 2, REV, TIC *2007.11 +/- 1	400	4	0	6,806,477:13:9	
801	2	310	14:59:48.000	411JE6B	6TMREC	BDT	7.68 KBPS BUFFER DUMP TO TAPE Record Mode	400	4	0	6,806,477:15:0	
802	2	310	15:01:49.333	411JE6C	6TMREC	NRC	NO RECORD Record Mode Change	400	4	0	6,806,479:15:0	
803	2	310	15:01:52.000	175TZ176A6A	6TMREC	LPW	7.68 KBPS LOW RATE SCI PWS RECORD Record	400	4	0	6,806,479:19:0	
804	2	310	15:01:52.666	175TZ422A6A	6DMSC	R7,0	DMS Control Tape runup 7.68kps	400	4	0	6,806,479:20:0	
805	2	310	15:01:59.333	175TZ422A6B	6DMSC	RDY,0	DMS Control Tape stop	400	4	0	6,806,479:30:0	
806	2	310	15:01:59.333		DMS:	: *RUNDOWN	R7, TRACK 2, REV, TIC *1976.15 +/- 1	400	4	0	6,806,479:30:0	
807	2	310	15:02:00.533		DMS:	: *READY	RDY, TRACK 2, REV, TIC *1976.09 +/- 1	400	4	0	6,806,479:31:8	
808	2	310	15:28:12.666	488AR6A	6TMSED	NORM,AL3	Sci, Eng, and D/L Chan	400	4	0	6,806,505:24:0	
809	2	310	15:57:58.666	488AR6B	6TMSED	NORM,AL4	Sci, Eng, and D/L Chan	400	4	0	6,806,534:64:0	
810	2	310	16:00:00.000	480SI6A	6MROH	44,23E8,0,A2	read from LLM2A44,23E8,0,A2	400	4	0	6,806,536:64:0	
811	2	310	16:06:40.000	480SI6B	6MROH	45,23E8,0,B2	read from LLM2B45,23E8,0,B2	400	4	0	6,806,543:27:0	
812	2	310	16:22:21.333		DMS:	: *US-RUNUP	P7, TRACK *1, *FWD, TIC 1976.09 +/- 1	400	4	0	6,806,558:74:0	
813	2	310	16:22:21.333	175BP422A6A	6DMSC	R7,0	DMS Control Tape runup 7.68kps	400	4	0	6,806,558:74:0	
814	2	310	16:22:22.733		DMS:	: *US_AT_SP	P7, TRACK 1, FWD, TIC *1976.21 +/- 1	400	4	0	6,806,558:76:1	
815	2	310	16:22:28.000		DMS:	: *US_RD	P7, TRACK 1, FWD, TIC *1977.45 +/- 1	400	4	0	6,806,558:84:0	
816	2	310	16:22:29.200		DMS:	: *RUNUP	R7, TRACK *2, *REV, TIC *1977.51 +/- 1	400	4	0	6,806,558:85:8	
817	2	310	16:22:30.000	282NG431A6A	6RCSEL	DDSNCG,PLSSEL,EP	Record Select (DDS onl)	400	4	0	6,806,558:87:0	
818	2	310	16:22:30.000	175BP176A6A	6TMREC	LPW	7.68 KBPS LOW RATE SCI PWS RECORD Record	400	4	0	6,806,558:87:0	
819	2	310	16:22:30.600		DMS:	: *RECORD	R7, TRACK 2, REV, TIC *1977.39 +/- 1	400	4	0	6,806,558:87:9	
820	2	310	16:22:30.600		DMS:	: *AT_SPD	R7, TRACK 2, REV, TIC 1977.39 +/- 1	400	4	0	6,806,559:00:0	
821	2	310	16:22:32.666	431OH6A	6RCSEL	DDSNCG,PLSNCG,EP	Record Select (DDS onl)	400	4	0	6,806,586:26:0	
822	2	310	16:50:08.000	488AR6C	6TMSED	FILL,AL4	Sci, Eng, and D/L Chan	400	4	0	6,806,599:03:0	
823	2	310	17:03:01.333	432OH431A6A	6RCDSL	DDSNCG,PLSNCG,EP	Record Deselect (DDS o	400	4	0	6,806,599:04:0	
824	2	310	17:03:02.000	432OH6A	6RTSL1		R/T Select of DDS and	400	4	0	6,806,599:09:0	
825	2	310	17:03:05.333	282NH431A6A	6RCDSL	DDSNCG,PLSDSL,EP	Record Deselect (DDS o	400	4	0	6,806,599:18:0	
826	2	310	17:03:11.333	175BP422A6B	6DMSC	RDY,0	DMS Control Tape stop	400	4	0	6,806,599:18:0	
827	2	310	17:03:11.333		DMS:	: *RUNDOWN	R7, TRACK 2, REV, TIC *1405.34 +/- 1	400	4	0	6,806,599:19:8	
828	2	310	17:03:12.533		DMS:	: *READY	RDY, TRACK 2, REV, TIC *1405.28 +/- 1	400	4	0	6,806,599:19:8	
829	2	310	17:03:54.000	282NH432A431A6A	6RCDSL	DDSNCG,PLSDSL,EP	Record Deselect (DDS o	400	4	0	6,806,599:82:0	
830	2	310	17:03:54.666	282NH432A6A	6RTSL1		R/T Select of DDS and	400	4	0	6,806,599:83:0	
831	2	310	17:09:59.333	488AR6D	6TMSED	FILL,AH4	Sci, Eng, and D/L Chan	400	4	0	6,806,605:84:0	
832	2	310	17:15:04.000	20RM4B	7SAFE	UNSTOW	S/P TO 153 deg cone	400	4	0	6,806,610:86:0	
833	2	310	17:23:47.333	488AR6E	6TMSED	NORM,AH4	Sci, Eng, and D/L Chan	400	4	0	6,806,619:52:0	
834	2	310	17:41:59.933	20RM4I	7MODE	INT	AACS INERTIAL MODE	400	4	0	6,806,637:53:0	
835	2	310	18:56:59.933	20RM4K	7SLEW	INIT,POS,17.45	Stator movement	400	4	0	6,806,711:69:0	
836	2	310	19:08:59.933	20RM4L	7SLEW	DIS,POS,0.0	Stator movement	400	4	0	6,806,723:57:0	
837	2	310	19:15:59.933	20RM4M	7SLEW	INIT,NEG,17.45	Stator movement	400	4	0	6,806,730:50:0	
838	2	310	19:27:59.933	20RM4N	7SLEW	DIS,POS,0.0	Stator movement	400	4	0	6,806,742:38:0	
839	2	310	19:39:59.933	20RM4AH	7MODE	CRU	AACS CRUISE MODE	400	4	0	6,806,754:26:0	
840	2	310	19:59:59.933	488AS6A	6TMSED	NORM,AL4	Sci, Eng, and D/L Chan	400	4	0	6,806,774:06:0	
841	2	310	20:07:07.266	488AS6B	6TMSED	FILL,AL4	Sci, Eng, and D/L Chan	400	4	0	6,806,781:10:0	
842	2	310	20:13:58.600	488AS6C	6TMSED	FILL,AL2	Sci, Eng, and D/L Chan	400	4	0	6,806,787:81:0	
843	2	310	21:24:40.600	175BQ422A6A	6DMSC	R7,0	DMS Control Tape runup 7.68kps	400	4	0	6,806,857:74:0	
844	2	310	21:24:40.600		DMS:	: *US-RUNUP	P7, TRACK *1, *FWD, TIC 1405.28 +/- 1	400	4	0	6,806,857:74:0	

Line	YR	DOY	SCET - GMT	PSID	Command	Parameters	Description	GCM	GO	GS	RIM	MFI
845	2	310	21:24:42.000		DMS:	: *US_AT_SP	P7, TRACK 1, FWD, TIC *1405.40 +/- 1	400	4	0	6,806,857:76:8	
846	2	310	21:24:47.266		DMS:	: *US_RD	P7, TRACK 1, FWD, TIC *1406.64 +/- 1	400	4	0	6,806,857:84:9	
847	2	310	21:24:48.466		DMS:	: *RUNUP	R7, TRACK *2, *REV, TIC *1406.70 +/- 1	400	4	0	6,806,857:85:8	
848	2	310	21:24:49.266	282NJ431A6A	6RCSEL	DDSNCG,PLSSEL,EP	Record Select (DDS onl)	400	4	0	6,806,857:87:0	
849	2	310	21:24:49.266	175BQ176A6A	6TMREC	LPW	7.68 KBPS LOW RATE SCI PWS RECORD Record	400	4	0	6,806,857:87:0	
850	2	310	21:24:49.866		DMS:	: *RECORD	R7, TRACK 2, REV, TIC *1406.58 +/- 1	400	4	0	6,806,857:87:9	
851	2	310	21:24:49.866		DMS:	: *AT_SPD	R7, TRACK 2, REV, TIC 1406.58 +/- 1	400	4	0	6,806,857:87:9	
852	2	310	21:24:51.933	431O16A	6RCSEL	DDSNCG,PLSNCG,EP	Record Select (DDS onl)	400	4	0	6,806,858:00:0	
853	2	310	22:05:20.600	432O1431A6A	6RCDSL	DDSNCG,PLSNCG,EP	Record Deselect (DDS o	400	4	0	6,806,898:03:0	
854	2	310	22:05:21.266	432O16A	6RTSL1		R/T Select of DDS and	400	4	0	6,806,898:04:9	
855	2	310	22:05:24.600	282NJ431A6A	6RCDSL	DDSNCG,PLSDSL,EP	Record Deselect (DDS o	400	4	0	6,806,898:08:0	
856	2	310	22:05:30.600	175BQ422A6B	6DMSC	RDY,0	DMS Control Tape stop	400	4	0	6,806,898:18:0	
857	2	310	22:05:30.600		DMS:	: *RUNDOWN	R7, TRACK 2, REV, TIC * 834.53 +/- 1	400	4	0	6,806,898:18:0	
858	2	310	22:05:31.800		DMS:	: *READY	RDY, TRACK 2, REV, TIC * 834.47 +/- 1	400	4	0	6,806,898:18:0	
859	2	310	22:06:13.266	282NJ432A431A6A	6RCDSL	DDSNCG,PLSDSL,EP	Record Deselect (DDS o	400	4	0	6,806,898:82:0	
860	2	310	22:06:13.933	282NJ432A6A	6RTSL1		R/T Select of DDS and	400	4	0	6,806,898:82:0	
861	2	310	23:47:16.600	488AS6D	6TMSED	NORM,AL2	Sci, Eng, and D/L Chan	400	4	0	6,806,998:76:0	
862	2	310	23:53:42.600	488AS6E	6TMSED	NORM,AL3	Sci, Eng, and D/L Chan	400	4	0	6,807,005:19:0	
863	2	311	00:02:03.933	20XF6B	6RTSL1		R/T Select of DDS and	400	4	0	6,807,013:43:9	
864	2	311	00:14:59.933	480S,6A	6MROH	44,23E8,0,A2	read from LLM2A44,23E8,0,A2	400	4	0	6,807,026:24:0	
865	2	311	00:21:39.933	480S,6B	6MROH	45,23E8,0,B2	read from LLM2B45,23E8,0,B2	400	4	0	6,807,032:78:0	
866	2	311	00:32:06.600	488AT6A	6TMSED	NORM,AL4	Sci, Eng, and D/L Chan	400	4	0	6,807,043:17:9	
867	2	311	01:05:05.266	488AT6B	6TMSED	FILL,AL4	Sci, Eng, and D/L Chan	400	4	0	6,807,075:73:9	
868	2	311	01:38:44.600	488AT6C	6TMSED	NORM,AL4	Sci, Eng, and D/L Chan	400	4	0	6,807,109:08:0	
869	2	311	02:23:57.933		DMS:	: *US-RUNUP	P7, TRACK *1, *FWD, TIC 834.47 +/- 1	400	4	0	6,807,153:74:0	
870	2	311	02:23:57.933	175BR422A6A	6DMSC	R7,0	DMS Control Tape runup 7.68kps	400	4	0	6,807,153:74:0	
871	2	311	02:23:59.333		DMS:	: *US_AT_SP	P7, TRACK 1, FWD, TIC * 834.59 +/- 1	400	4	0	6,807,153:76:0	
872	2	311	02:24:04.600		DMS:	: *US_RD	P7, TRACK 1, FWD, TIC * 835.82 +/- 1	400	4	0	6,807,153:84:0	
873	2	311	02:24:05.800		DMS:	: *RUNUP	R7, TRACK *2, *REV, TIC * 835.88 +/- 1	400	4	0	6,807,153:86:8	
874	2	311	02:24:06.600	282NK431A6A	6RCSEL	DDSNCG,PLSSEL,EP	Record Select (DDS onl)	400	4	0	6,807,153:87:0	
875	2	311	02:24:06.600	175BR176A6A	6TMREC	LPW	7.68 KBPS LOW RATE SCI PWS RECORD Record	400	4	0	6,807,153:87:9	
876	2	311	02:24:07.200		DMS:	: *RECORD	R7, TRACK 2, REV, TIC * 835.76 +/- 1	400	4	0	6,807,153:87:9	
877	2	311	02:24:07.200		DMS:	: *AT_SPD	R7, TRACK 2, REV, TIC 835.76 +/- 1	400	4	0	6,807,153:87:9	
878	2	311	02:24:09.266	431OJ6A	6RCSEL	DDSNCG,PLSNCG,EP	Record Select (DDS onl)	400	4	0	6,807,154:00:0	
879	2	311	03:04:37.933	175BR422A6B	6DMSC	RDY,0	DMS Control Tape stop	400	4	0	6,807,194:03:0	
880	2	311	03:04:37.933		DMS:	: *RUNDOWN	R7, TRACK 2, REV, TIC * 266.06 +/- 1	400	4	0	6,807,194:03:0	
881	2	311	03:04:37.933	432OJ431A6A	6RCDSL	DDSNCG,PLSNCG,EP	Record Deselect (DDS o	400	4	0	6,807,194:03:0	
882	2	311	03:04:38.600	432OJ6A	6RTSL1		R/T Select of DDS and	400	4	0	6,807,194:04:0	
883	2	311	03:04:39.133		DMS:	: *READY	RDY, TRACK 2, REV, TIC * 266.00 +/- 1	400	4	0	6,807,194:04:8	
884	2	311	03:04:41.933	282NL431A6A	6RCDSL	DDSNCG,PLSDSL,EP	Record Deselect (DDS o	400	4	0	6,807,194:09:0	
885	2	311	03:05:30.600	282NL432A431A6A	6RCDSL	DDSNCG,PLSDSL,EP	Record Deselect (DDS o	400	4	0	6,807,194:82:0	
886	2	311	03:05:31.266	282NL432A6A	6RTSL1		R/T Select of DDS and	400	4	0	6,807,194:88:0	
887	2	311	03:23:19.266	488AT6D	6TMSED	FILL,AL4	Sci, Eng, and D/L Chan	400	4	0	6,807,212:47:0	
888	2	311	08:06:59.266	488AU6A	6TMSED	NORM,AL4	Sci, Eng, and D/L Chan	400	4	0	6,807,493:06:0	
889	2	311	08:59:29.933		DMS:	: *E4-DELAY	RDY, TRACK 1, FWD, TIC 266.00 +/- 1	400	4	0	6,807,545:00:0	
890	2	311	08:59:29.933	465KK6A	6DMST		DMS Slew to TIC	400	4	0	6,807,545:00:0	
891	2	311	08:59:29.933		DMS:	: *SLEW-TIC	P7, TRACK *1, *FWD, TIC 266.00 +/- 1	400	4	0	6,807,545:00:0	

Line	YR	DOY	SCET - GMT	PSID	Command	Parameters	Description	GCM	GO	GS	RIM	MFI
892	2	311	08:59:36.600		DMS:	: *RUNUP	P7, TRACK 1, FWD, TIC 266.00 +/- 1	400	4	0	6,807,545:10:0	
893	2	311	08:59:38.000		DMS:	: *AT_SPD	P7, TRACK 1, FWD, TIC * 266.12 +/- 1	400	4	0	6,807,545:12:1	
894	2	311	09:08:22.600	488AU6B	6TMSED	NORM,AL5	Sci, Eng, and D/L Chan	400	4	0	6,807,553:7:0	
895	2	311	10:59:59.933	480SK6A	6MROH	44,23E8,0,A2	read from LLM2A44,23E8,0,A2	400	4	0	6,807,664:16:0	
896	2	311	11:06:39.933	480SK6B	6MROH	45,23E8,0,B2	read from LLM2B45,23E8,0,B2	400	4	0	6,807,670:70:0	
897	2	311	12:02:03.933	20XG6B	6RTSL1		R/T Select of DDS and	400	4	0	6,807,725:51:0	
898	2	311	14:50:22.600	488AV6A	6TMSED	FILL,AL5	Sci, Eng, and D/L Chan	400	4	0	6,807,892:02:0	
899	2	311	14:53:58.600	488AV6B	6TMSED	FILL,AL4	Sci, Eng, and D/L Chan	400	4	0	6,807,895:53:0	
900	2	311	15:37:03.266	488AV6C	6TMSED	NORM,AL4	Sci, Eng, and D/L Chan	400	4	0	6,807,938:17:0	
901	2	311	15:40:06.066		DMS:	: *RUNDOWN	P7, TRACK 1, FWD, TIC *5897.94 +/- 1	400	4	0	6,807,941:18:2	
902	2	311	15:40:07.266		DMS:	: *READY	RDY, TRACK 1, FWD, TIC *5898.00 +/- 1	400	4	0	6,807,941:20:0	
903	2	311	16:04:09.933		DMS:	: READY	RDY, TRACK *3, FWD, TIC 5898.00 +/- 1	400	4	0	6,807,965:00:0	
904	2	311	16:04:09.933	465KL6A	6DMSC	RDY,3	DMS Control Tape stop	400	4	0	6,807,965:00:0	
905	2	311	16:23:34.600	488AV6D	6TMSED	NORM,AL5	Sci, Eng, and D/L Chan	400	4	0	6,807,984:18:0	
906	2	311	20:26:05.266	488AV6E	6TMSED	FILL,AL5	Sci, Eng, and D/L Chan	400	4	0	6,808,224:04:0	
907	2	311	20:31:02.600	488AW6A	6TMSED	FILL,AL4	Sci, Eng, and D/L Chan	400	4	0	6,808,228:86:0	
908	2	311	23:55:57.933	20UZ4A	7SAFE	STOP	S/P NO MOVEMENT	400	4	0	6,808,431:56:0	
909	2	311	23:56:47.933	20UZ4B	7SLEW	DIS,POS,0.0	Stator movement	400	4	0	6,808,432:40:0	
910	2	311	23:58:23.933	488AW6B	6TMSED	FILL,AL4	Sci, Eng, and D/L Chan	400	4	0	6,808,434:02:0	
911	2	312	00:00:23.933	176UA6A	6TMREC	IPB	INITIATE PLAYBACK (PB CONTROL) Record Mod	400	4	0	6,808,436:00:0	
912	2	312	00:01:24.600	431MB6A	6RCSEL	DDSEL,PLSNCG,EP	Record Select (DDS on)	400	4	0	6,808,437:00:0	
913	2	312	08:22:10.533	488AX6A	6TMSED	NORM,AL4	Sci, Eng, and D/L Chan	400	4	0	6,808,932:24:0	
914	2	312	09:44:50.533	488AX6B	6TMSED	FILL,AL4	Sci, Eng, and D/L Chan	400	4	0	6,809,014:02:0	
915	2	312	10:18:29.200	488AX6C	6TMSED	NORM,AL4	Sci, Eng, and D/L Chan	400	4	0	6,809,047:27:0	
916	2	312	15:11:02.533	488AY6A	6TMSED	NORM,AL3	Sci, Eng, and D/L Chan	400	4	0	6,809,336:58:0	
917	2	312	15:43:02.533	488AY6B	6TMSED	NORM,AL4	Sci, Eng, and D/L Chan	400	4	0	6,809,368:26:0	
918	2	312	16:44:47.200	488AY6C	6TMSED	FILL,AL4	Sci, Eng, and D/L Chan	400	4	0	6,809,429:32:0	
919	2	312	17:28:26.533	488AY6D	6TMSED	NORM,AL4	Sci, Eng, and D/L Chan	400	4	0	6,809,472:48:0	
920	2	312	20:23:36.533	488AY6E	6TMSED	FILL,AL4	Sci, Eng, and D/L Chan	400	4	0	6,809,645:70:0	
921	2	313	09:02:20.533	488AZ6A	6TMSED	NORM,AL4	Sci, Eng, and D/L Chan	400	4	0	6,810,396:15:0	
922	2	313	09:59:59.866		DMS:	: READY	RDY, TRACK 3, FWD, TIC 5898.00 +/- 1	400	4	0	6,810,453:17:0	
923	2	313	10:00:00.000	20A3EY	37C1PR	Final Condition	Optics Heater 1 OFF (primary relay)	400	4	0	6,810,453:17:2	
924	2	313	10:00:00.000	20A3EZ	37C2PR	Final Condition	Optics Heater 2 OFF (primary relay)	400	4	0	6,810,453:17:2	
925	2	313	10:00:00.000	20A3FA	37F1PR	Final Condition	Radiator Flash Heater OFF (primary relay)	400	4	0	6,810,453:17:2	
926	2	313	10:00:00.000	20A3FB	37F2PR	Final Condition	Shield Flash Heater OFF (primary relay)	400	4	0	6,810,453:17:2	
927	2	313	10:00:00.000	20A3FD	40HRPR	Final Condition	RCT Heater OFF (primary relay)	400	4	0	6,810,453:17:2	
928	2	313	10:00:00.000	20A3FE	40T1PR	Final Condition	PCT Heater 1 OFF (primary relay)	400	4	0	6,810,453:17:2	
929	2	313	10:00:00.000	20A3EX	37HR	Final Condition	Replacement Heaters OFF	400	4	0	6,810,453:17:2	
930	2	313	10:00:00.000	20A3EW	37A	Final Condition	NIMS Power ON	400	4	0	6,810,453:17:2	
931	2	313	10:00:00.000	20A3FF	40T2R	Final Condition	PCT Heater 2 OFF	400	4	0	6,810,453:17:2	

Line	YR	DOY	SCET - GMT	A34BEG	Sequence:	Command	Parameters	Description	GCM	GO	GS	RIM	MF I
								Finish: 03-015/10:30:00					
								Created: 11/8/02					
1	2	317	15:00:00.000	PSID		40T2R	CMD,40T2R,20A3FF	PCT Heater 2 OFF				6,816,446:54:5	
2	2	317	15:00:00.000	20A3FF		40T1PR	CMD,40T1PR,20A3F	PCT Heater 1 OFF (primary relay)				6,816,446:54:5	
3	2	317	15:00:00.000	20A3FE		40HRPR	CMD,40HRPR,20A3F	RCT Heater OFF (primary relay)				6,816,446:54:5	
4	2	317	15:00:00.000	20A3FD		37AR	CMD,37A,20A3EW,,	NIMS Power OFF				6,816,446:54:5	
5	2	317	15:00:00.000	20A3EX		37HR	CMD,37HR,20A3EX,	Replacement Heaters OFF				6,816,446:54:5	
6	2	317	15:00:00.000	20A3EY		37C1PR	CMD,37C1PR,20A3E	Optics Heater 1 OFF (primary relay)				6,816,446:54:5	
7	2	317	15:00:00.000	20A3EZ		37C2PR	CMD,37C2PR,20A3E	Optics Heater 2 OFF (primary relay)				6,816,446:54:5	
8	2	317	15:00:00.000	20A3FA		37F1PR	CMD,37F1PR,20A3F	Radiator Flash Heater OFF (primary relay)				6,816,446:54:5	
9	2	317	15:00:00.000	20A3FB		37F2PR	CMD,37F2PR,20A3F	Shield Flash Heater OFF (primary relay)				6,816,446:54:5	
10	2	317	15:00:00.333			DMS:	: READY	RDY, TRACK 1, FWD, TIC 5154.63 +/-				6,816,446:55:0	
11	2	317	15:00:22.333	488AA6A		6TMSED	NORM,AH4	Sci, Eng, and D/L Chan				6,816,446:88:0	
12	2	317	15:01:23.666	432JA6B		6RTDS2	NIMDSL,AACNCG,RT	NIMS R/T DESELECT				6,816,447:89:0	
13	2	317	15:01:25.000	432JA6C		6RTSL1		R/T Select of DDS and				6,816,448:00:0	
14	2	317	15:01:25.000	432JA6D		6RTSL2	NIMNCG,AACSEL,RT	AACS SELECT				6,816,448:00:0	
15	2	317	15:14:03.000	488AA6C		6TMSED	FILL,AH4	Sci, Eng, and D/L Chan				6,816,460:45:0	
16	2	317	15:21:42.333	488AA6D		6TMSED	FILL,AH2	Sci, Eng, and D/L Chan				6,816,468:06:0	
17	2	317	23:13:24.933	488AB6A		6TMSED	NORM,AH2	Sci, Eng, and D/L Chan				6,816,934:54:0	
18	2	317	23:24:59.600	488AB6B		6TMSED	NORM,AH2	Sci, Eng, and D/L Chan				6,816,946:04:0	
19	2	317	23:28:06.266	488AB6C		6TMSED	NORM,AH4	Sci, Eng, and D/L Chan				6,816,949:11:0	
20	2	317	23:30:04.266	20RM4B		7SAFE	UNSTOW	S/P TO 153 deg cone				6,816,951:06:0	
21	2	317	23:57:00.266	20RM4I		7MODE	INT	AACS INERTIAL MODE				6,816,977:64:0	
22	2	317	23:59:18.266	432JB6B		6RTDS2	NIMDSL,AACDSL,RT	NIMS R/T DESELECTAACS DESELECT				6,816,979:89:0	
23	2	318	01:12:00.266	20RM4K		7SLEW	INIT,POS,17.45	Stator movement				6,817,051:80:0	
24	2	318	01:24:00.266	20RM4L		7SLEW	DIS,POS,0.0	Stator movement				6,817,063:68:0	
25	2	318	01:31:00.266	20RM4M		7SLEW	INIT,NEG,17.45	Stator movement				6,817,070:61:0	
26	2	318	01:43:00.266	20RM4N		7SLEW	DIS,POS,0.0	Stator movement				6,817,082:49:0	
27	2	318	01:44:38.266	488AB6D		6TMSED	NORM,AH5	Sci, Eng, and D/L Chan				6,817,084:14:0	
28	2	318	01:55:00.266	20RM4AH		7MODE	CRU	AACS CRUISE MODE				6,817,094:37:0	
29	2	318	03:01:24.933	488AB6E		6TMSED	FILL,AH5	Sci, Eng, and D/L Chan				6,817,160:08:0	
30	2	318	03:05:42.266	488AC6A		6TMSED	FILL,AH3	Sci, Eng, and D/L Chan				6,817,164:30:0	
31	2	318	06:44:27.600	488AC6B		6TMSED	NORM,AH3	Sci, Eng, and D/L Chan				6,817,380:62:0	
32	2	318	06:53:58.266	488AC6C		6TMSED	NORM,AH4	Sci, Eng, and D/L Chan				6,817,390:08:0	
33	2	318	08:19:18.266	488AC6D		6TMSED	NORM,AH5	Sci, Eng, and D/L Chan				6,817,474:44:0	
34	2	318	12:18:28.933	20ZU3Q		37HR		1 Replacement Heaters OFF				6,817,711:03:0	
35	2	318	12:18:30.933	20ZU3S		37HR		2 Replacement Heaters OFF				6,817,711:06:0	
36	2	318	12:18:56.933	20ZU3R		37A		1 NIMS Power ON	260	4	0	6,817,711:45:0	
37	2	318	12:18:58.933	20ZU3T		37A		2 NIMS Power ON	260	4	0	6,817,711:48:0	
38	2	318	12:20:58.266	20ZU4A		37IST	1,1,0,OFF,0,0,0	Chopper OFF, N/A, 63Hz (Ref)	200	4	0	6,817,713:45:0	
39	2	318	12:24:51.600	20DZ5A		37PL		Program Load (halts microprocessor & unwri				6,817,717:31:0	
40	2	318	12:24:54.933	20DZ5B		37MRL		Memory Realocate (software operates from R				6,817,717:36:0	
41	2	318	12:24:58.266	20DZ6A		6MCOPY	NIMS	NIMS,1000,LLM1A,7300,77F7				6,817,717:41:0	
42	2	318	12:25:08.266	20DZ6B		6MCOPY	NIMS	NIMS,1598,LLM1A,77F8,781D				6,817,717:56:0	
43	2	318	12:25:18.266	20DZ5C		37IRT		Instrument Reset (goes into POR state)				6,817,717:71:0	
44	2	318	12:25:21.600	20DZ5D		37MN		Memory Normal (software operates from ROM)	260	4	0	6,817,717:76:0	
45	2	318	12:26:25.600	20DZ4A		37IST	1,1,0,OFF,0,0,0	Chopper OFF, N/A, 63Hz (Ref)	200	4	0	6,817,718:81:0	

Line	YR	DOY	SCET - GMT	PSID	Command	Parameters	Description	GCM	GO	GS	RIM	MF I
46	2	318	14:51:38.933	488AD6A	6TMSED	FILL,AH5	Sci, Eng, and D/L Chan	200	4	0	6,817,862:47:0	
47	2	318	14:56:06.266	488AD6B	6TMSED	FILL,AH3	Sci, Eng, and D/L Chan	200	4	0	6,817,866:84:0	
48	2	318	23:09:34.266	488AE6A	6TMSED	NORM,AH3	Sci, Eng, and D/L Chan	200	4	0	6,818,354:88:0	
49	2	318	23:23:50.266	488AE6B	6TMSED	NORM,AH4	Sci, Eng, and D/L Chan	200	4	0	6,818,369:07:0	
50	2	319	01:33:58.266	488AE6C	6TMSED	NORM,AH5	Sci, Eng, and D/L Chan	200	4	0	6,818,497:71:0	
51	2	319	03:01:29.600	488AE6D	6TMSED	FILL,AH5	Sci, Eng, and D/L Chan	200	4	0	6,818,584:31:0	
52	2	319	03:05:42.266	488AE6E	6TMSED	FILL,AH3	Sci, Eng, and D/L Chan	200	4	0	6,818,588:46:0	
53	2	319	06:49:37.533	488AF6A	6TMSED	NORM,AH3	Sci, Eng, and D/L Chan	200	4	0	6,818,809:88:0	
54	2	319	06:58:14.200	488AF6B	6TMSED	NORM,AH4	Sci, Eng, and D/L Chan	200	4	0	6,818,818:44:0	
55	2	319	08:15:02.200	488AF6C	6TMSED	NORM,AH5	Sci, Eng, and D/L Chan	200	4	0	6,818,894:40:0	
56	2	319	09:56:42.866	176ZA6A	6TMREC	PPB	PAUSE PLAYBACK (PB CONTROL) Record Mode C	200	4	0	6,818,995:00:0	
57	2	319	10:02:00.200	20UA4B	7SLEW	DIS,POS,0.0	Stator movement	200	4	0	6,819,000:21:0	
58	2	319	10:03:00.200	20UA4D	7MODE	SPNL	AACS ALL-SPIN LOW	200	4	0	6,819,001:20:0	
59	2	319	10:05:00.200	20UA4E	7SAFE	UNSTOW	S/P TO 153 deg cone	200	4	0	6,819,003:18:0	
60	2	319	10:10:30.200	20UA4G	7VENT	0.611,1.333,8	ALERT -- Thruster fire	200	4	0	6,819,008:58:0	
61	2	319	10:10:30.866	20UA4H	7VENT	0.611,10.989,8	ALERT -- Thruster fire	200	4	0	6,819,008:59:0	
62	2	319	10:10:50.866	20UA4I	7VENT	0.611,1.333,6	ALERT -- Thruster fire	200	4	0	6,819,008:89:0	
63	2	319	10:10:51.533	20UA4J	7VENT	0.611,10.989,6	ALERT -- Thruster fire	200	4	0	6,819,008:90:0	
64	2	319	10:11:11.533	20UA4K	7VENT	0.611,1.333,4	ALERT -- Thruster fire	200	4	0	6,819,009:29:0	
65	2	319	10:11:12.200	20UA4L	7VENT	0.611,0.666,5	ALERT -- Thruster fire	200	4	0	6,819,009:30:0	
66	2	319	10:11:22.200	20UA4M	7VENT	0.611,1.333,4	ALERT -- Thruster fire	200	4	0	6,819,009:45:0	
67	2	319	10:11:22.866	20UA4N	7VENT	0.611,0.666,5	ALERT -- Thruster fire	200	4	0	6,819,009:46:0	
68	2	319	10:11:32.866	20UA4O	7VENT	1.211,1.333,10	ALERT -- Thruster fire	200	4	0	6,819,009:61:0	
69	2	319	10:11:33.533	20UA4P	7VENT	1.211,0.666,12	ALERT -- Thruster fire	200	4	0	6,819,009:62:0	
70	2	319	10:13:20.200	20UA4S	7VENT	0.611,1.333,7	ALERT -- Thruster fire	200	4	0	6,819,011:40:0	
71	2	319	10:13:20.866	20UA4T	7VENT	0.611,10.989,7	ALERT -- Thruster fire	200	4	0	6,819,011:41:0	
72	2	319	10:13:40.866	20UA4U	7VENT	0.611,1.333,1	ALERT -- Thruster fire	200	4	0	6,819,011:71:0	
73	2	319	10:13:41.533	20UA4V	7VENT	0.611,10.989,1	ALERT -- Thruster fire	200	4	0	6,819,011:72:0	
74	2	319	10:14:01.533	20UA4AC	7VENT	0.611,1.333,2	ALERT -- Thruster fire	200	4	0	6,819,012:11:0	
75	2	319	10:14:02.200	20UA4AD	7VENT	0.611,0.666,3	ALERT -- Thruster fire	200	4	0	6,819,012:12:0	
76	2	319	10:14:12.200	20UA4AE	7VENT	0.611,1.333,2	ALERT -- Thruster fire	200	4	0	6,819,012:27:0	
77	2	319	10:14:12.866	20UA4AF	7VENT	0.611,0.666,3	ALERT -- Thruster fire	200	4	0	6,819,012:28:0	
78	2	319	10:14:22.866	20UA4W	7VENT	1.211,1.333,9	ALERT -- Thruster fire	200	4	0	6,819,012:43:0	
79	2	319	10:14:23.533	20UA4X	7VENT	1.211,0.666,11	ALERT -- Thruster fire	200	4	0	6,819,012:44:0	
80	2	319	10:15:20.200	20UA4Z	7MODE	CRU	AACS CRUISE MODE	200	4	0	6,819,013:38:0	
81	2	319	10:34:07.533	176ZB6A	6TMREC	RPB	RESUME PLAYBACK (PB CONTROL) Record Mode	200	4	0	6,819,032:00:0	
82	2	319	15:06:22.200	488AG6A	6TMSED	FILL,AH5	Sci, Eng, and D/L Chan	200	4	0	6,819,301:23:0	
83	2	319	15:11:02.200	488AG6B	6TMSED	FILL,AH2	Sci, Eng, and D/L Chan	200	4	0	6,819,305:79:0	
84	2	319	23:03:44.200	488AH6A	6TMSED	NORM,AH2	Sci, Eng, and D/L Chan	200	4	0	6,819,773:34:0	
85	2	319	23:08:54.200	488AH6B	6TMSED	NORM,AH3	Sci, Eng, and D/L Chan	200	4	0	6,819,778:44:0	
86	2	319	23:19:34.200	488AH6C	6TMSED	NORM,AH4	Sci, Eng, and D/L Chan	200	4	0	6,819,789:03:0	
87	2	320	00:00:00.200	488AH6D	6TMSED	NORM,AL4	Sci, Eng, and D/L Chan	200	4	0	6,819,829:02:0	
88	2	320	01:29:42.200	488AH6E	6TMSED	NORM,AL5	Sci, Eng, and D/L Chan	200	4	0	6,819,917:67:0	
89	2	320	03:01:34.866	488AI6A	6TMSED	FILL,AL5	Sci, Eng, and D/L Chan	200	4	0	6,820,008:55:0	
90	2	320	03:05:42.200	488AI6B	6TMSED	FILL,AL3	Sci, Eng, and D/L Chan	200	4	0	6,820,012:62:0	
91	2	320	06:39:46.866	488AI6C	6TMSED	NORM,AL3	Sci, Eng, and D/L Chan	200	4	0	6,820,224:37:0	
92	2	320	06:49:42.200	488AI6D	6TMSED	NORM,AL4	Sci, Eng, and D/L Chan	200	4	0	6,820,234:20:0	

Line	YR	DOY	SCET - GMT	PSID	Command Parameters	Description	GCM	GO	GS	RIM	MF I
93	2	320	08:08:38.200	488AJ6E	6TMSED NORM,AL5	Sci, Eng, and D/L Chan	200	4	0	6,820,312:26:0	
94	2	320	10:31:40.200	488AJ6A	6TMSED FILL,AL5	Sci, Eng, and D/L Chan	200	4	0	6,820,453:68:0	
95	2	320	10:35:50.200	488AJ6B	6TMSED FILL,AL3	Sci, Eng, and D/L Chan	200	4	0	6,820,457:79:0	
96	2	320	14:49:49.533	488AJ6C	6TMSED NORM,AL3	Sci, Eng, and D/L Chan	200	4	0	6,820,709:06:0	
97	2	320	15:04:38.200	488AJ6D	6TMSED NORM,AL4	Sci, Eng, and D/L Chan	200	4	0	6,820,723:65:0	
98	2	320	15:58:32.133	488AJ6E	6TMSED FILL,AL4	Sci, Eng, and D/L Chan	200	4	0	6,820,777:02:0	
99	2	320	16:32:11.466	488AK6A	6TMSED NORM,AL4	Sci, Eng, and D/L Chan	200	4	0	6,820,810:28:0	
100	2	320	22:56:06.133	488AL6A	6TMSED NORM,AL3	Sci, Eng, and D/L Chan	200	4	0	6,821,190:00:0	
101	2	320	23:02:48.800	488AL6B	6TMSED FILL,AL3	Sci, Eng, and D/L Chan	200	4	0	6,821,196:58:0	
102	2	321	06:49:55.466	488AM6A	6TMSED NORM,AL3	Sci, Eng, and D/L Chan	200	4	0	6,821,668:86:0	
103	2	321	07:00:22.133	488AM6B	6TMSED NORM,AL4	Sci, Eng, and D/L Chan	200	4	0	6,821,736:23:0	
104	2	321	08:08:25.466	488AM6C	6TMSED FILL,AL4	Sci, Eng, and D/L Chan	200	4	0	6,821,769:48:0	
105	2	321	08:42:04.133	488AM6D	6TMSED NORM,AL4	Sci, Eng, and D/L Chan	200	4	0	6,821,810:01:0	
106	2	321	09:23:00.133	488AM6E	6TMSED NORM,AH4	Sci, Eng, and D/L Chan	200	4	0	6,821,941:50:0	
107	2	321	11:36:00.133	488AN6A	6TMSED NORM,AL4	Sci, Eng, and D/L Chan	200	4	0	6,822,069:11:0	
108	2	321	13:44:59.466	488AN6B	6TMSED FILL,AL4	Sci, Eng, and D/L Chan	200	4	0	6,822,078:24:0	
109	2	321	13:54:14.133	488AN6C	6TMSED FILL,AL5	Sci, Eng, and D/L Chan	200	4	0	6,823,178:71:0	
110	2	322	08:26:58.733	488AO6A	6TMSED NORM,AL5	Sci, Eng, and D/L Chan	200	4	0	6,823,559:13:0	
111	2	322	14:51:34.066	488AP6A	6TMSED FILL,AL5	Sci, Eng, and D/L Chan	200	4	0	6,823,563:57:0	
112	2	322	14:56:06.066	488AP6B	6TMSED FILL,AL2	Sci, Eng, and D/L Chan	200	4	0	6,824,036:41:0	
113	2	322	22:54:10.733	488AQ6A	6TMSED NORM,AL2	Sci, Eng, and D/L Chan	200	4	0	6,824,051:01:0	
114	2	322	23:08:54.066	488AQ6B	6TMSED NORM,AL4	Sci, Eng, and D/L Chan	200	4	0	6,824,160:66:0	
115	2	323	00:59:50.066	488AQ6C	6TMSED NORM,AL5	Sci, Eng, and D/L Chan	200	4	0	6,824,160:66:0	
116	2	323	01:00:00.066	481UA4A	7VECT	Inert vect update UTC	200	4	0	6,824,160:81:0	
117	2	323	02:57:24.066	488AQ6D	6TMSED FILL,AL5	Sci, Eng, and D/L Chan	200	4	0	6,824,277:00:0	
118	2	323	03:01:26.066	488AQ6E	6TMSED FILL,AL4	Sci, Eng, and D/L Chan	200	4	0	6,824,280:90:0	
119	2	323	08:53:54.733	488AR6A	6TMSED NORM,AL4	Sci, Eng, and D/L Chan	200	4	0	6,824,629:54:0	
120	2	323	10:13:07.400	488AR6B	6TMSED FILL,AL4	Sci, Eng, and D/L Chan	200	4	0	6,824,707:85:0	
121	2	323	10:42:14.066	488AR6C	6TMSED FILL,AL5	Sci, Eng, and D/L Chan	200	4	0	6,824,736:66:0	
122	2	323	10:45:22.066	488AR6D	6TMSED NORM,AL5	Sci, Eng, and D/L Chan	200	4	0	6,824,739:75:0	
123	2	323	13:32:19.333	488AR6E	6TMSED FILL,AL5	Sci, Eng, and D/L Chan	200	4	0	6,824,904:86:0	
124	2	323	13:37:10.000	488AS6A	6TMSED FILL,AL2	Sci, Eng, and D/L Chan	200	4	0	6,824,909:67:0	
125	2	324	06:29:22.666	488AT6A	6TMSED NORM,AL2	Sci, Eng, and D/L Chan	200	4	0	6,825,910:75:0	
126	2	324	06:34:46.000	488AT6B	6TMSED NORM,AL3	Sci, Eng, and D/L Chan	200	4	0	6,825,916:14:0	
127	2	324	06:45:26.000	488AT6C	6TMSED NORM,AL4	Sci, Eng, and D/L Chan	200	4	0	6,825,926:64:0	
128	2	324	07:52:59.333	488AT6D	6TMSED FILL,AL4	Sci, Eng, and D/L Chan	200	4	0	6,825,993:47:0	
129	2	324	08:26:38.666	488AT6E	6TMSED NORM,AL4	Sci, Eng, and D/L Chan	200	4	0	6,826,026:73:0	
130	2	324	10:03:50.000	488AU6A	6TMSED NORM,AL5	Sci, Eng, and D/L Chan	200	4	0	6,826,122:84:0	
131	2	324	12:02:54.666	488AU6B	6TMSED FILL,AL5	Sci, Eng, and D/L Chan	200	4	0	6,826,240:63:0	
132	2	324	12:07:34.000	488AU6C	6TMSED FILL,AL4	Sci, Eng, and D/L Chan	200	4	0	6,826,245:27:0	
133	2	325	03:39:10.600	488AV6A	6TMSED NORM,AL4	Sci, Eng, and D/L Chan	200	4	0	6,827,166:61:0	
134	2	325	03:49:59.933	488AV6B	6TMSED NORM,AH4	Sci, Eng, and D/L Chan	200	4	0	6,827,177:34:0	
135	2	325	04:57:51.266	488AV6C	6TMSED FILL,AH4	Sci, Eng, and D/L Chan	200	4	0	6,827,244:44:0	
136	2	325	05:31:30.600	488AV6D	6TMSED NORM,AH4	Sci, Eng, and D/L Chan	200	4	0	6,827,277:70:0	
137	2	325	05:59:59.933	488AV6E	6TMSED NORM,AL4	Sci, Eng, and D/L Chan	200	4	0	6,827,305:86:0	
138	2	325	07:20:27.266	488AW6A	6TMSED FILL,AL4	Sci, Eng, and D/L Chan	200	4	0	6,827,385:47:0	
139	2	325	07:28:05.933	488AW6B	6TMSED FILL,AL3	Sci, Eng, and D/L Chan	200	4	0	6,827,393:07:0	

Line	YR	DOY	SCET - GMT	PSID	Command Parameters	Description	GCM	GO	GS	RIM	MFI
140	2	325	23:10:37.266	488AX6A	6TMSED NORM,AL3	Sci, Eng, and D/L Chan	200	4	0	6,828,325:22:0	
141	2	325	23:19:33.933	488AX6B	6TMSED NORM,AL4	Sci, Eng, and D/L Chan	200	4	0	6,828,334:08:0	
142	2	326	00:27:43.933	488AX6C	6TMSED FILL,AL4	Sci, Eng, and D/L Chan	200	4	0	6,828,401:46:0	
143	2	326	01:01:23.266	488AX6D	6TMSED NORM,AL4	Sci, Eng, and D/L Chan	200	4	0	6,828,434:72:0	
144	2	326	06:21:57.933	488AY6A	6TMSED NORM,AL3	Sci, Eng, and D/L Chan	200	4	0	6,828,751:77:0	
145	2	326	06:41:09.933	488AY6B	6TMSED NORM,AL4	Sci, Eng, and D/L Chan	200	4	0	6,828,770:76:0	
146	2	326	07:42:41.266	488AY6C	6TMSED FILL,AL4	Sci, Eng, and D/L Chan	200	4	0	6,828,831:62:0	
147	2	326	08:21:20.533	488AY6D	6TMSED NORM,AL4	Sci, Eng, and D/L Chan	200	4	0	6,828,869:83:0	
148	2	326	09:25:25.866	488AY6E	6TMSED NORM,AL5	Sci, Eng, and D/L Chan	200	4	0	6,828,933:27:0	
149	2	326	13:32:46.533	488AZ6A	6TMSED FILL,AL5	Sci, Eng, and D/L Chan	200	4	0	6,829,177:84:0	
150	2	326	13:37:09.866	488AZ6B	6TMSED FILL,AL3	Sci, Eng, and D/L Chan	200	4	0	6,829,182:24:0	
151	2	327	06:25:48.533	488BA6A	6TMSED NORM,AL3	Sci, Eng, and D/L Chan	200	4	0	6,830,179:75:0	
152	2	327	06:34:45.866	488BA6B	6TMSED NORM,AL4	Sci, Eng, and D/L Chan	200	4	0	6,830,188:62:0	
153	2	327	07:42:32.533	488BA6C	6TMSED FILL,AL4	Sci, Eng, and D/L Chan	200	4	0	6,830,255:65:0	
154	2	327	08:16:11.200	488BA6D	6TMSED NORM,AL4	Sci, Eng, and D/L Chan	200	4	0	6,830,288:90:0	
155	2	327	09:06:13.866	488BA6E	6TMSED NORM,AL5	Sci, Eng, and D/L Chan	200	4	0	6,830,338:44:0	
156	2	327	15:32:21.866	488BB6A	6TMSED NORM,AL4	Sci, Eng, and D/L Chan	200	4	0	6,830,720:34:0	
157	2	327	15:55:53.200	488BB6B	6TMSED FILL,AL4	Sci, Eng, and D/L Chan	200	4	0	6,830,743:58:0	
158	2	327	22:54:34.466	488BC6A	6TMSED NORM,AL4	Sci, Eng, and D/L Chan	200	4	0	6,831,157:66:0	
159	2	328	00:19:17.800	488BC6B	6TMSED NORM,AL5	Sci, Eng, and D/L Chan	200	4	0	6,831,241:47:0	
160	2	328	03:23:43.800	488BC6C	6TMSED FILL,AL5	Sci, Eng, and D/L Chan	200	4	0	6,831,423:84:0	
161	2	328	10:07:51.800	488BD6A	6TMSED NORM,AL5	Sci, Eng, and D/L Chan	200	4	0	6,831,823:56:0	
162	2	328	15:57:57.800	488BD6B	6TMSED FILL,AL5	Sci, Eng, and D/L Chan	200	4	0	6,832,169:79:0	
163	2	328	16:02:13.800	488BD6C	6TMSED FILL,AL3	Sci, Eng, and D/L Chan	200	4	0	6,832,174:08:0	
164	2	329	06:06:05.733	488BE6A	6TMSED NORM,AL3	Sci, Eng, and D/L Chan	200	4	0	6,833,008:62:0	
165	2	329	06:15:33.733	488BE6B	6TMSED NORM,AL4	Sci, Eng, and D/L Chan	200	4	0	6,833,018:04:0	
166	2	329	07:11:01.733	488BE6C	6TMSED NORM,AL5	Sci, Eng, and D/L Chan	200	4	0	6,833,072:82:0	
167	2	329	14:53:37.733	488BF6A	6TMSED FILL,AL5	Sci, Eng, and D/L Chan	200	4	0	6,833,530:38:0	
168	2	329	14:58:13.733	488BF6B	6TMSED FILL,AL4	Sci, Eng, and D/L Chan	200	4	0	6,833,534:88:0	
169	2	330	00:29:52.400	488BG6A	6TMSED NORM,AL4	Sci, Eng, and D/L Chan	200	4	0	6,834,100:30:0	
170	2	330	01:47:08.400	488BG6B	6TMSED FILL,AL4	Sci, Eng, and D/L Chan	200	4	0	6,834,176:68:0	
171	2	330	02:20:47.733	488BG6C	6TMSED NORM,AL4	Sci, Eng, and D/L Chan	200	4	0	6,834,210:03:0	
172	2	330	04:11:02.400	488BG6D	6TMSED FILL,AL4	Sci, Eng, and D/L Chan	200	4	0	6,834,319:06:0	
173	2	330	04:18:13.733	488BG6E	6TMSED FILL,AL3	Sci, Eng, and D/L Chan	200	4	0	6,834,326:16:0	
174	2	330	06:01:14.400	488BH6A	6TMSED NORM,AL3	Sci, Eng, and D/L Chan	200	4	0	6,834,428:05:0	
175	2	330	06:11:17.733	488BH6B	6TMSED NORM,AL4	Sci, Eng, and D/L Chan	200	4	0	6,834,438:00:0	
176	2	330	07:00:21.733	488BH6C	6TMSED NORM,AL5	Sci, Eng, and D/L Chan	200	4	0	6,834,486:48:0	
177	2	330	09:58:51.066	488BH6D	6TMSED FILL,AL5	Sci, Eng, and D/L Chan	200	4	0	6,834,663:05:0	
178	2	330	10:03:49.733	488BH6E	6TMSED FILL,AL3	Sci, Eng, and D/L Chan	200	4	0	6,834,667:89:0	
179	2	330	22:36:20.333	488BI6A	6TMSED NORM,AL3	Sci, Eng, and D/L Chan	200	4	0	6,835,412:20:0	
180	2	330	22:45:25.666	488BI6B	6TMSED NORM,AL4	Sci, Eng, and D/L Chan	200	4	0	6,835,421:19:0	
181	2	330	23:52:01.000	488BI6C	6TMSED FILL,AL4	Sci, Eng, and D/L Chan	200	4	0	6,835,487:06:0	
182	2	331	00:25:40.333	488BI6D	6TMSED NORM,AL4	Sci, Eng, and D/L Chan	200	4	0	6,835,520:32:0	
183	2	331	03:01:25.666	488BI6E	6TMSED NORM,AL5	Sci, Eng, and D/L Chan	200	4	0	6,835,674:36:0	
184	2	331	06:17:41.666	488BJ6A	6TMSED NORM,AL4	Sci, Eng, and D/L Chan	200	4	0	6,835,868:46:0	
185	2	331	07:02:29.666	488BJ6B	6TMSED NORM,AL5	Sci, Eng, and D/L Chan	200	4	0	6,835,912:74:0	
186	2	331	08:44:43.666	488BJ6C	6TMSED FILL,AL5	Sci, Eng, and D/L Chan	200	4	0	6,836,013:84:0	

Line	YR	DOY	SCET - GMT	PSID	Command	Parameters	Description	GCM	GO	GS	RIM	MF 1
187	2	331	09:13:49.666	488BJ6D	6TMSED	NORM,AL5	Sci, Eng, and D/L Chan	200	4	0	6,836,042:64:0	
188	2	331	11:03:27.666	488BJ6E	6TMSED	FILL,AL5	Sci, Eng, and D/L Chan	200	4	0	6,836,151:12:0	
189	2	331	11:07:49.666	488BK6A	6TMSED	FILL,AL3	Sci, Eng, and D/L Chan	200	4	0	6,836,155:41:0	
190	2	331	22:16:28.333	488BL6A	6TMSED	NORM,AL3	Sci, Eng, and D/L Chan	200	4	0	6,836,816:68:0	
191	2	331	22:26:13.666	488BL6B	6TMSED	NORM,AL4	Sci, Eng, and D/L Chan	200	4	0	6,836,826:36:0	
192	2	331	23:45:09.666	488BL6C	6TMSED	NORM,AL5	Sci, Eng, and D/L Chan	200	4	0	6,836,904:42:0	
193	2	332	02:53:12.266	488BL6D	6TMSED	FILL,AL5	Sci, Eng, and D/L Chan	200	4	0	6,837,090:40:0	
194	2	332	02:57:09.600	488BL6E	6TMSED	FILL,AL3	Sci, Eng, and D/L Chan	200	4	0	6,837,094:32:0	
195	2	332	06:06:31.600	488BM6A	6TMSED	NORM,AL3	Sci, Eng, and D/L Chan	200	4	0	6,837,281:58:0	
196	2	332	06:15:33.600	488BM6B	6TMSED	NORM,AL4	Sci, Eng, and D/L Chan	200	4	0	6,837,290:52:0	
197	2	332	07:21:48.933	488BM6C	6TMSED	FILL,AL4	Sci, Eng, and D/L Chan	200	4	0	6,837,356:09:0	
198	2	332	07:55:28.266	488BM6D	6TMSED	NORM,AL4	Sci, Eng, and D/L Chan	200	4	0	6,837,389:35:0	
199	2	332	08:00:05.600	488BM6E	6TMSED	NORM,AL5	Sci, Eng, and D/L Chan	200	4	0	6,837,393:87:0	
200	2	332	14:53:44.266	488BN6A	6TMSED	FILL,AL5	Sci, Eng, and D/L Chan	200	4	0	6,837,803:05:0	
201	2	332	14:58:13.600	488BN6B	6TMSED	FILL,AL3	Sci, Eng, and D/L Chan	200	4	0	6,837,807:45:0	
202	2	332	22:16:37.600	488BO6A	6TMSED	NORM,AL3	Sci, Eng, and D/L Chan	200	4	0	6,838,241:07:0	
203	2	332	22:26:13.600	488BO6B	6TMSED	NORM,AL4	Sci, Eng, and D/L Chan	200	4	0	6,838,250:52:0	
204	2	332	23:36:37.600	488BO6C	6TMSED	NORM,AL5	Sci, Eng, and D/L Chan	200	4	0	6,838,320:18:0	
205	2	333	02:54:18.933	488BO6D	6TMSED	FILL,AL5	Sci, Eng, and D/L Chan	200	4	0	6,838,515:65:0	
206	2	333	02:59:17.600	488BO6E	6TMSED	FILL,AL4	Sci, Eng, and D/L Chan	200	4	0	6,838,520:58:0	
207	2	333	07:05:20.266	488BP6A	6TMSED	NORM,AL4	Sci, Eng, and D/L Chan	200	4	0	6,838,763:89:0	
208	2	333	07:45:09.600	488BP6B	6TMSED	NORM,AL5	Sci, Eng, and D/L Chan	200	4	0	6,838,803:33:0	
209	2	333	08:24:27.600	488BP6C	6TMSED	FILL,AL5	Sci, Eng, and D/L Chan	200	4	0	6,838,842:21:0	
210	2	333	08:53:33.600	488BP6D	6TMSED	NORM,AL5	Sci, Eng, and D/L Chan	200	4	0	6,838,871:01:0	
211	2	333	09:03:00.266	488BP6E	6TMSED	NORM,AH5	Sci, Eng, and D/L Chan	200	4	0	6,838,880:32:0	
212	2	333	11:13:00.200	488BQ6A	6TMSED	NORM,AL5	Sci, Eng, and D/L Chan	200	4	0	6,839,008:84:0	
213	2	333	13:53:55.533	488BQ6B	6TMSED	FILL,AL5	Sci, Eng, and D/L Chan	200	4	0	6,839,168:07:0	
214	2	333	13:58:29.533	488BQ6C	6TMSED	FILL,AL3	Sci, Eng, and D/L Chan	200	4	0	6,839,172:54:0	
215	2	333	22:11:45.533	488BR6A	6TMSED	NORM,AL3	Sci, Eng, and D/L Chan	200	4	0	6,839,660:40:0	
216	2	333	22:21:57.533	488BR6B	6TMSED	NORM,AL4	Sci, Eng, and D/L Chan	200	4	0	6,839,670:48:0	
217	2	333	23:30:13.533	488BR6C	6TMSED	NORM,AL5	Sci, Eng, and D/L Chan	200	4	0	6,839,738:04:0	
218	2	334	02:48:41.533	488BR6D	6TMSED	FILL,AL5	Sci, Eng, and D/L Chan	200	4	0	6,839,934:30:0	
219	2	334	02:52:53.533	488BR6E	6TMSED	FILL,AL3	Sci, Eng, and D/L Chan	200	4	0	6,839,938:44:0	
220	2	334	05:51:48.866	488BS6A	6TMSED	NORM,AL3	Sci, Eng, and D/L Chan	200	4	0	6,840,115:40:0	
221	2	334	06:00:37.533	488BS6B	6TMSED	NORM,AL4	Sci, Eng, and D/L Chan	200	4	0	6,840,124:14:0	
222	2	334	07:11:33.533	488BS6C	6TMSED	FILL,AL4	Sci, Eng, and D/L Chan	200	4	0	6,840,194:28:0	
223	2	334	07:36:37.533	488BS6D	6TMSED	FILL,AL5	Sci, Eng, and D/L Chan	200	4	0	6,840,219:09:0	
224	2	334	07:42:27.533	488BS6E	6TMSED	NORM,AL5	Sci, Eng, and D/L Chan	200	4	0	6,840,224:79:0	
225	2	334	13:39:01.533	488BT6A	6TMSED	FILL,AL5	Sci, Eng, and D/L Chan	200	4	0	6,840,577:47:0	
226	2	334	13:43:33.533	488BT6B	6TMSED	FILL,AL3	Sci, Eng, and D/L Chan	200	4	0	6,840,582:00:0	
227	2	334	22:06:53.466	488BU6A	6TMSED	NORM,AL3	Sci, Eng, and D/L Chan	200	4	0	6,841,079:73:0	
228	2	334	22:15:33.466	488BU6B	6TMSED	NORM,AL4	Sci, Eng, and D/L Chan	200	4	0	6,841,088:34:0	
229	2	334	23:21:41.466	488BU6C	6TMSED	NORM,AL5	Sci, Eng, and D/L Chan	200	4	0	6,841,153:71:0	
230	2	335	02:49:02.133	488BU6D	6TMSED	FILL,AL5	Sci, Eng, and D/L Chan	200	4	0	6,841,358:77:0	
231	2	335	02:52:53.466	488BU6E	6TMSED	FILL,AL4	Sci, Eng, and D/L Chan	200	4	0	6,841,362:60:0	
232	2	335	05:45:36.133	488BV6A	6TMSED	NORM,AL4	Sci, Eng, and D/L Chan	200	4	0	6,841,533:43:0	
233	2	335	06:30:29.466	488BV6B	6TMSED	NORM,AL5	Sci, Eng, and D/L Chan	200	4	0	6,841,577:79:0	

Line	YR	DOY	SCET - GMT	PSID	Command	Parameters	Description	GCM	GO	GS	RIM	MFI
234	2	335	08:40:37.466	488BV6C	6TMSED	NORM,AL6	Sci, Eng, and D/L Chan	200	4	0	6,841,706:52:0	
235	2	335	13:25:20.800	488BW6A	6TMSED	FILL,AL6	Sci, Eng, and D/L Chan	200	4	0	6,841,988:15:0	
236	2	335	13:28:37.466	488BW6B	6TMSED	FILL,AL3	Sci, Eng, and D/L Chan	200	4	0	6,841,991:37:0	
237	2	335	22:02:01.466	488BX6A	6TMSED	NORM,AL3	Sci, Eng, and D/L Chan	200	4	0	6,842,499:15:0	
238	2	335	22:11:17.466	488BX6B	6TMSED	NORM,AL4	Sci, Eng, and D/L Chan	200	4	0	6,842,508:30:0	
239	2	335	23:11:01.466	488BX6C	6TMSED	NORM,AL5	Sci, Eng, and D/L Chan	200	4	0	6,842,567:37:0	
240	2	336	02:48:24.133	488BX6D	6TMSED	FILL,AL5	Sci, Eng, and D/L Chan	200	4	0	6,842,782:36:0	
241	2	336	02:52:53.466	488BX6E	6TMSED	FILL,AL2	Sci, Eng, and D/L Chan	200	4	0	6,842,786:76:0	
242	2	336	05:41:04.800	488BY6A	6TMSED	NORM,AL2	Sci, Eng, and D/L Chan	200	4	0	6,842,953:16:0	
243	2	336	05:45:41.466	488BY6B	6TMSED	NORM,AL4	Sci, Eng, and D/L Chan	200	4	0	6,842,957:67:0	
244	2	336	06:21:57.400	488BY6C	6TMSED	NORM,AL5	Sci, Eng, and D/L Chan	200	4	0	6,842,993:55:0	
245	2	336	08:21:25.400	488BY6D	6TMSED	NORM,AL6	Sci, Eng, and D/L Chan	200	4	0	6,843,111:69:0	
246	2	336	14:55:09.400	488BZ6A	6TMSED	FILL,AL6	Sci, Eng, and D/L Chan	200	4	0	6,843,501:15:0	
247	2	336	14:58:13.400	488BZ6B	6TMSED	FILL,AL3	Sci, Eng, and D/L Chan	200	4	0	6,843,504:18:0	
248	2	336	22:12:10.733	488CA6A	6TMSED	NORM,AL3	Sci, Eng, and D/L Chan	200	4	0	6,843,933:35:0	
249	2	336	22:21:57.400	488CA6B	6TMSED	NORM,AL4	Sci, Eng, and D/L Chan	200	4	0	6,843,943:05:0	
250	2	336	23:26:11.400	488CA6C	6TMSED	FILL,AL4	Sci, Eng, and D/L Chan	200	4	0	6,844,006:53:0	
251	2	336	23:59:50.733	488CA6D	6TMSED	NORM,AL4	Sci, Eng, and D/L Chan	200	4	0	6,844,039:79:0	
252	2	337	00:25:41.400	488CA6E	6TMSED	NORM,AL5	Sci, Eng, and D/L Chan	200	4	0	6,844,065:39:0	
253	2	337	02:49:58.733	488CB6A	6TMSED	FILL,AL5	Sci, Eng, and D/L Chan	200	4	0	6,844,208:12:0	
254	2	337	07:54:06.733	488CB6B	6TMSED	NORM,AL5	Sci, Eng, and D/L Chan	200	4	0	6,844,508:84:0	
255	2	337	08:06:29.400	488CB6C	6TMSED	NORM,AL6	Sci, Eng, and D/L Chan	200	4	0	6,844,521:15:0	
256	2	337	08:53:00.066	488CC6A	6TMSED	NORM,AH6	Sci, Eng, and D/L Chan	200	4	0	6,844,567:15:0	
257	2	337	11:03:00.066	488CC6B	6TMSED	NORM,AL6	Sci, Eng, and D/L Chan	200	4	0	6,844,695:67:0	
258	2	337	13:35:50.733	488CC6C	6TMSED	FILL,AL6	Sci, Eng, and D/L Chan	200	4	0	6,844,846:82:0	
259	2	337	13:39:17.400	488CC6D	6TMSED	FILL,AL3	Sci, Eng, and D/L Chan	200	4	0	6,844,850:28:0	
260	2	337	21:57:18.666	488CD6A	6TMSED	NORM,AL3	Sci, Eng, and D/L Chan	200	4	0	6,845,342:78:0	
261	2	337	22:07:01.333	488CD6B	6TMSED	NORM,AL4	Sci, Eng, and D/L Chan	200	4	0	6,845,352:42:0	
262	2	337	22:56:05.333	488CD6C	6TMSED	NORM,AL5	Sci, Eng, and D/L Chan	200	4	0	6,845,400:90:0	
263	2	338	05:56:21.333	488CE6A	6TMSED	NORM,AL4	Sci, Eng, and D/L Chan	200	4	0	6,845,816:58:0	
264	2	338	06:11:17.333	488CE6B	6TMSED	NORM,AL5	Sci, Eng, and D/L Chan	200	4	0	6,845,831:37:0	
265	2	338	07:51:33.333	488CE6C	6TMSED	NORM,AL6	Sci, Eng, and D/L Chan	200	4	0	6,845,930:52:0	
266	2	338	11:30:22.666	488CE6D	6TMSED	FILL,AL6	Sci, Eng, and D/L Chan	200	4	0	6,846,146:90:0	
267	2	338	11:33:25.333	488CE6E	6TMSED	FILL,AL3	Sci, Eng, and D/L Chan	200	4	0	6,846,150:00:0	
268	2	338	21:52:26.666	488CF6A	6TMSED	NORM,AL3	Sci, Eng, and D/L Chan	200	4	0	6,846,762:20:0	
269	2	338	22:02:45.333	488CF6B	6TMSED	NORM,AL4	Sci, Eng, and D/L Chan	200	4	0	6,846,772:38:0	
270	2	338	22:51:49.333	488CF6C	6TMSED	NORM,AL5	Sci, Eng, and D/L Chan	200	4	0	6,846,820:86:0	
271	2	339	02:16:37.333	488CF6D	6TMSED	NORM,AL6	Sci, Eng, and D/L Chan	200	4	0	6,847,023:45:0	
272	2	339	05:46:38.600	488CG6A	6TMSED	FILL,AL6	Sci, Eng, and D/L Chan	200	4	0	6,847,231:19:0	
273	2	339	07:53:29.266	488CG6B	6TMSED	NORM,AL6	Sci, Eng, and D/L Chan	200	4	0	6,847,356:60:0	
274	2	339	13:21:06.600	488CH6A	6TMSED	FILL,AL6	Sci, Eng, and D/L Chan	200	4	0	6,847,680:62:0	
275	2	339	13:24:21.266	488CH6B	6TMSED	FILL,AL4	Sci, Eng, and D/L Chan	200	4	0	6,847,683:81:0	
276	2	339	21:51:13.266	488CI6A	6TMSED	NORM,AL4	Sci, Eng, and D/L Chan	200	4	0	6,848,185:17:0	
277	2	339	22:41:09.266	488CI6B	6TMSED	NORM,AL5	Sci, Eng, and D/L Chan	200	4	0	6,848,234:52:0	
278	2	340	01:20:22.600	488CI6C	6TMSED	FILL,AL5	Sci, Eng, and D/L Chan	200	4	0	6,848,392:04:0	
279	2	340	01:31:49.266	488CI6D	6TMSED	FILL,AL4	Sci, Eng, and D/L Chan	200	4	0	6,848,403:33:0	
280	2	340	05:21:16.600	488CJ6A	6TMSED	NORM,AL4	Sci, Eng, and D/L Chan	200	4	0	6,848,630:27:0	

Line	YR	DOY	SCET - GMT	PSID	Command Parameters	Description	GCM	GO	GS	RIM	MF I
281	2	340	05:56:21.266	488CJ6B	6TMSED NORM,AL5	Sci, Eng, and D/L Chan	200	4	0	6,848,664:90:0	
282	2	340	07:25:57.266	488CJ6C	6TMSED NORM,AL6	Sci, Eng, and D/L Chan	200	4	0	6,848,753:55:0	
283	2	340	08:56:20.600	176ZC6A	6TMREC PPB	PAUSE PLAYBACK (PB CONTROL) Record Mode C	200	4	0	6,848,843:00:0	
284	2	340	09:01:59.933	20UB4B	7SLEW DIS,POS,0.0	Stator movement	200	4	0	6,848,848:54:0	
285	2	340	09:02:59.933	20UB4D	7MODE SPNL	AACS ALL-SPIN LOW	200	4	0	6,848,849:53:0	
286	2	340	09:04:59.933	20UB4E	7SAFE UNSTOW	S/P TO 153 deg cone	200	4	0	6,848,851:51:0	
287	2	340	09:10:29.933	20UB4G	7VENT 0.611,1.333,8	ALERT -- Thruster fire	200	4	0	6,848,857:00:0	
288	2	340	09:10:30.600	20UB4H	7VENT 0.611,10.989,8	ALERT -- Thruster fire	200	4	0	6,848,857:01:0	
289	2	340	09:10:50.600	20UB4I	7VENT 0.611,1.333,6	ALERT -- Thruster fire	200	4	0	6,848,857:31:0	
290	2	340	09:10:51.266	20UB4J	7VENT 0.611,10.989,6	ALERT -- Thruster fire	200	4	0	6,848,857:32:0	
291	2	340	09:11:11.266	20UB4K	7VENT 0.611,1.333,4	ALERT -- Thruster fire	200	4	0	6,848,857:62:0	
292	2	340	09:11:11.933	20UB4L	7VENT 0.611,0.666,5	ALERT -- Thruster fire	200	4	0	6,848,857:63:0	
293	2	340	09:11:21.933	20UB4M	7VENT 0.611,1.333,4	ALERT -- Thruster fire	200	4	0	6,848,857:78:0	
294	2	340	09:11:22.600	20UB4N	7VENT 0.611,0.666,5	ALERT -- Thruster fire	200	4	0	6,848,857:79:0	
295	2	340	09:11:32.600	20UB4O	7VENT 1.211,1.333,10	ALERT -- Thruster fire	200	4	0	6,848,858:03:0	
296	2	340	09:11:33.266	20UB4P	7VENT 1.211,0.666,12	ALERT -- Thruster fire	200	4	0	6,848,858:04:0	
297	2	340	09:13:19.933	20UB4S	7VENT 0.611,1.333,7	ALERT -- Thruster fire	200	4	0	6,848,859:73:0	
298	2	340	09:13:20.600	20UB4T	7VENT 0.611,10.989,7	ALERT -- Thruster fire	200	4	0	6,848,859:74:0	
299	2	340	09:13:40.600	20UB4U	7VENT 0.611,1.333,1	ALERT -- Thruster fire	200	4	0	6,848,860:13:0	
300	2	340	09:13:41.266	20UB4V	7VENT 0.611,10.989,1	ALERT -- Thruster fire	200	4	0	6,848,860:14:0	
301	2	340	09:14:01.266	20UB4AC	7VENT 0.611,1.333,2	ALERT -- Thruster fire	200	4	0	6,848,860:44:0	
302	2	340	09:14:01.933	20UB4AD	7VENT 0.611,0.666,3	ALERT -- Thruster fire	200	4	0	6,848,860:45:0	
303	2	340	09:14:11.933	20UB4AE	7VENT 0.611,1.333,2	ALERT -- Thruster fire	200	4	0	6,848,860:60:0	
304	2	340	09:14:22.600	20UB4AF	7VENT 0.611,0.666,3	ALERT -- Thruster fire	200	4	0	6,848,860:61:0	
305	2	340	09:14:22.600	20UB4AW	7VENT 1.211,1.333,9	ALERT -- Thruster fire	200	4	0	6,848,860:76:0	
306	2	340	09:14:23.266	20UB4X	7VENT 1.211,0.666,11	ALERT -- Thruster fire	200	4	0	6,848,860:77:0	
307	2	340	09:15:19.933	20UB4Z	7MODE CRU	AACS CRUISE MODE	200	4	0	6,848,861:71:0	
308	2	340	09:34:45.933	176ZD6A	6TMREC RPB	RESUME PLAYBACK (PB CONTROL) Record Mode	200	4	0	6,848,881:00:0	
309	2	340	14:25:40.533	488CK6A	6TMSED FILL,AL6	Sci, Eng, and D/L Chan	200	4	0	6,849,168:65:0	
310	2	340	14:28:21.200	488CK6B	6TMSED FILL,AL4	Sci, Eng, and D/L Chan	200	4	0	6,849,171:33:0	
311	2	340	21:56:21.200	488CL6A	6TMSED NORM,AL4	Sci, Eng, and D/L Chan	200	4	0	6,849,614:40:0	
312	2	340	23:10:39.200	488CL6B	6TMSED FILL,AL4	Sci, Eng, and D/L Chan	200	4	0	6,849,687:84:0	
313	2	340	23:40:53.200	488CL6C	6TMSED FILL,AL5	Sci, Eng, and D/L Chan	200	4	0	6,849,717:75:0	
314	2	340	23:43:16.533	488CL6D	6TMSED NORM,AL5	Sci, Eng, and D/L Chan	200	4	0	6,849,720:17:0	
315	2	341	04:54:51.866	488CM6A	6TMSED FILL,AL5	Sci, Eng, and D/L Chan	200	4	0	6,850,028:32:0	
316	2	341	04:58:45.200	488CM6B	6TMSED FILL,AL4	Sci, Eng, and D/L Chan	200	4	0	6,850,032:18:0	
317	2	341	05:21:24.533	488CM6C	6TMSED NORM,AL4	Sci, Eng, and D/L Chan	200	4	0	6,850,054:55:0	
318	2	341	05:52:05.200	488CM6D	6TMSED NORM,AL5	Sci, Eng, and D/L Chan	200	4	0	6,850,084:86:0	
319	2	341	06:13:23.200	488CM6E	6TMSED FILL,AL5	Sci, Eng, and D/L Chan	200	4	0	6,850,106:01:0	
320	2	341	06:42:29.866	488CN6A	6TMSED NORM,AL5	Sci, Eng, and D/L Chan	200	4	0	6,850,134:73:0	
321	2	341	07:13:09.200	488CN6B	6TMSED NORM,AL6	Sci, Eng, and D/L Chan	200	4	0	6,850,165:11:0	
322	2	341	13:06:15.866	488CO6A	6TMSED FILL,AL6	Sci, Eng, and D/L Chan	200	4	0	6,850,514:32:0	
323	2	341	13:09:25.200	488CO6B	6TMSED FILL,AL4	Sci, Eng, and D/L Chan	200	4	0	6,850,517:43:0	
324	2	341	21:46:29.200	488CP6A	6TMSED NORM,AL4	Sci, Eng, and D/L Chan	200	4	0	6,851,028:78:0	
325	2	341	22:26:13.200	488CP6B	6TMSED NORM,AL5	Sci, Eng, and D/L Chan	200	4	0	6,851,068:14:0	
326	2	342	00:42:45.133	488CP6C	6TMSED NORM,AL6	Sci, Eng, and D/L Chan	200	4	0	6,851,203:17:0	
327	2	342	03:00:52.466	488CP6D	6TMSED FILL,AL6	Sci, Eng, and D/L Chan	200	4	0	6,851,339:72:0	

Line	YR	DOY	SCET - GMT	PSID	Command Parameters	Description	GCM	GO	GS	RIM	MF I
328	2	342	03:03:33.133	488CP6E	FILL,AL4	Sci, Eng, and D/L Chan	200	4	0	6,851,342:40:0	
329	2	342	05:31:31.133	488CQ6A	NORM,AL4	Sci, Eng, and D/L Chan	200	4	0	6,851,488:71:0	
330	2	342	05:47:49.133	488CQ6B	NORM,AL5	Sci, Eng, and D/L Chan	200	4	0	6,851,504:82:0	
331	2	342	07:02:29.133	488CQ6C	NORM,AL6	Sci, Eng, and D/L Chan	200	4	0	6,851,578:68:0	
332	2	342	13:16:40.466	488CR6A	FILL,AL6	Sci, Eng, and D/L Chan	200	4	0	6,851,948:75:0	
333	2	342	13:20:05.133	488CR6B	FILL,AL4	Sci, Eng, and D/L Chan	200	4	0	6,851,952:18:0	
334	2	343	05:11:39.133	488CS6A	NORM,AL4	Sci, Eng, and D/L Chan	200	4	0	6,852,893:28:0	
335	2	343	05:41:25.133	488CS6B	NORM,AL5	Sci, Eng, and D/L Chan	200	4	0	6,852,922:68:0	
336	2	343	06:51:49.133	488CS6C	NORM,AL6	Sci, Eng, and D/L Chan	200	4	0	6,852,992:34:0	
337	2	343	14:56:52.400	488CT6A	FILL,AL6	Sci, Eng, and D/L Chan	200	4	0	6,853,472:09:0	
338	2	343	15:00:21.066	488CT6B	FILL,AL4	Sci, Eng, and D/L Chan	200	4	0	6,853,475:49:0	
339	2	343	21:41:44.400	488CU6A	NORM,AL4	Sci, Eng, and D/L Chan	200	4	0	6,853,872:47:0	
340	2	343	22:55:39.066	488CU6B	FILL,AL4	Sci, Eng, and D/L Chan	200	4	0	6,853,945:56:0	
341	2	343	23:02:29.066	488CU6C	FILL,AL5	Sci, Eng, and D/L Chan	200	4	0	6,853,952:34:0	
342	2	343	23:27:08.400	488CU6D	NORM,AL5	Sci, Eng, and D/L Chan	200	4	0	6,853,976:69:0	
343	2	344	02:15:06.400	488CU6E	FILL,AL5	Sci, Eng, and D/L Chan	200	4	0	6,854,142:80:0	
344	2	344	02:18:45.066	488CV6A	FILL,AL4	Sci, Eng, and D/L Chan	200	4	0	6,854,146:44:0	
345	2	344	05:11:47.733	488CV6B	NORM,AL4	Sci, Eng, and D/L Chan	200	4	0	6,854,317:57:0	
346	2	344	05:37:09.066	488CV6C	NORM,AL5	Sci, Eng, and D/L Chan	200	4	0	6,854,342:64:0	
347	2	344	06:43:17.066	488CV6D	NORM,AL6	Sci, Eng, and D/L Chan	200	4	0	6,854,408:10:0	
348	2	344	09:36:55.066	488CW6A	FILL,AL6	Sci, Eng, and D/L Chan	200	4	0	6,854,579:76:0	
349	2	344	09:40:21.066	488CW6B	FILL,AL4	Sci, Eng, and D/L Chan	200	4	0	6,854,583:21:0	
350	2	344	21:31:52.333	488CX6A	NORM,AL4	Sci, Eng, and D/L Chan	200	4	0	6,855,286:85:0	
351	2	344	21:33:00.333	488CX6B	NORM,AL4	Sci, Eng, and D/L Chan	200	4	0	6,855,288:05:0	
352	2	344	22:07:01.000	488CX6C	NORM,AL5	Sci, Eng, and D/L Chan	200	4	0	6,855,321:63:0	
353	2	344	23:43:00.333	488CX6D	NORM,AL5	Sci, Eng, and D/L Chan	200	4	0	6,855,416:57:0	
354	2	344	23:51:33.000	488CX6E	NORM,AL6	Sci, Eng, and D/L Chan	200	4	0	6,855,425:07:0	
355	2	345	05:57:24.333	488CY6A	FILL,AL6	Sci, Eng, and D/L Chan	200	4	0	6,855,786:83:0	
356	2	345	07:39:15.000	488CY6B	NORM,AL6	Sci, Eng, and D/L Chan	200	4	0	6,855,887:58:0	
357	2	345	11:41:07.666	488CY6C	FILL,AL6	Sci, Eng, and D/L Chan	200	4	0	6,856,126:78:0	
358	2	345	11:44:05.000	488CY6D	FILL,AL3	Sci, Eng, and D/L Chan	200	4	0	6,856,129:71:0	
359	2	345	21:23:19.666	488CZ6A	NORM,AL3	Sci, Eng, and D/L Chan	200	4	0	6,856,702:60:0	
360	2	345	21:32:53.000	488CZ6B	NORM,AL4	Sci, Eng, and D/L Chan	200	4	0	6,856,712:10:0	
361	2	345	22:02:45.000	488CZ6C	NORM,AL5	Sci, Eng, and D/L Chan	200	4	0	6,856,741:59:0	
362	2	345	23:43:01.000	488CZ6D	NORM,AL6	Sci, Eng, and D/L Chan	200	4	0	6,856,840:74:0	
363	2	346	11:21:39.600	488DA6A	FILL,AL6	Sci, Eng, and D/L Chan	200	4	0	6,857,531:71:0	
364	2	346	11:24:52.933	488DA6B	FILL,AL3	Sci, Eng, and D/L Chan	200	4	0	6,857,534:88:0	
365	2	346	21:18:26.266	488DB6A	NORM,AL3	Sci, Eng, and D/L Chan	200	4	0	6,858,122:00:0	
366	2	346	21:28:36.933	488DB6B	NORM,AL4	Sci, Eng, and D/L Chan	200	4	0	6,858,132:06:0	
367	2	346	21:58:28.933	488DB6C	NORM,AL5	Sci, Eng, and D/L Chan	200	4	0	6,858,161:55:0	
368	2	346	23:28:04.933	488DB6D	NORM,AL6	Sci, Eng, and D/L Chan	200	4	0	6,858,250:20:0	
369	2	347	02:41:34.933	488DB6E	FILL,AL6	Sci, Eng, and D/L Chan	200	4	0	6,858,441:54:0	
370	2	347	02:44:20.933	488DC6A	FILL,AL4	Sci, Eng, and D/L Chan	200	4	0	6,858,444:30:0	
371	2	347	05:07:09.600	488DC6B	NORM,AL4	Sci, Eng, and D/L Chan	200	4	0	6,858,585:52:0	
372	2	347	05:17:56.933	488DC6C	NORM,AL5	Sci, Eng, and D/L Chan	200	4	0	6,858,596:22:0	
373	2	347	06:17:40.933	488DC6D	NORM,AL6	Sci, Eng, and D/L Chan	200	4	0	6,858,655:29:0	
374	2	347	12:52:10.933	488DD6A	FILL,AL6	Sci, Eng, and D/L Chan	200	4	0	6,859,045:44:0	

Line	YR	DOY	SCET - GMT	PSID	Command Parameters	Description	GCM	GO	GS	RIM	MF I
375	2	347	12:54:28.933	488DD6B	6TMSED FILL,AL5	Sci, Eng, and D/L Chan	200	4	0	6,859,047:69:0	
376	2	347	22:25:27.533	488DE6A	6TMSED NORM,AL5	Sci, Eng, and D/L Chan	200	4	0	6,859,612:42:0	
377	2	347	23:17:24.866	488DE6B	6TMSED NORM,AL6	Sci, Eng, and D/L Chan	200	4	0	6,859,663:77:0	
378	2	348	03:57:32.866	488DE6C	6TMSED FILL,AL6	Sci, Eng, and D/L Chan	200	4	0	6,859,940:82:0	
379	2	348	04:01:08.866	488DE6D	6TMSED FILL,AL4	Sci, Eng, and D/L Chan	200	4	0	6,859,944:42:0	
380	2	348	05:02:16.200	488DF6A	6TMSED NORM,AL4	Sci, Eng, and D/L Chan	200	4	0	6,860,004:83:0	
381	2	348	05:37:08.866	488DF6B	6TMSED NORM,AL5	Sci, Eng, and D/L Chan	200	4	0	6,860,039:37:0	
382	2	348	06:17:31.533	488DF6C	6TMSED FILL,AL5	Sci, Eng, and D/L Chan	200	4	0	6,860,079:31:0	
383	2	348	06:46:37.533	488DF6D	6TMSED NORM,AL5	Sci, Eng, and D/L Chan	200	4	0	6,860,108:11:0	
384	2	348	08:12:52.866	488DF6E	6TMSED NORM,AL6	Sci, Eng, and D/L Chan	200	4	0	6,860,193:39:0	
385	2	348	12:47:06.200	488DG6A	6TMSED FILL,AL6	Sci, Eng, and D/L Chan	200	4	0	6,860,464:58:0	
386	2	348	12:50:12.866	488DG6B	6TMSED FILL,AL4	Sci, Eng, and D/L Chan	200	4	0	6,860,467:65:0	
387	2	348	21:12:21.533	488DH6A	6TMSED NORM,AL4	Sci, Eng, and D/L Chan	200	4	0	6,860,964:31:0	
388	2	348	21:43:32.866	488DH6B	6TMSED NORM,AL5	Sci, Eng, and D/L Chan	200	4	0	6,860,995:17:0	
389	2	348	23:08:52.866	488DH6C	6TMSED NORM,AL6	Sci, Eng, and D/L Chan	200	4	0	6,861,079:53:0	
390	2	349	02:41:42.133	488DH6D	6TMSED FILL,AL6	Sci, Eng, and D/L Chan	200	4	0	6,861,290:06:0	
391	2	349	02:44:20.800	488DH6E	6TMSED FILL,AL4	Sci, Eng, and D/L Chan	200	4	0	6,861,292:62:0	
392	2	349	04:47:23.466	488DI6A	6TMSED NORM,AL4	Sci, Eng, and D/L Chan	200	4	0	6,861,414:34:0	
393	2	349	05:07:16.800	488DI6B	6TMSED NORM,AL5	Sci, Eng, and D/L Chan	200	4	0	6,861,434:04:0	
394	2	349	05:58:28.800	488DI6C	6TMSED NORM,AL6	Sci, Eng, and D/L Chan	200	4	0	6,861,484:62:0	
395	2	349	10:07:32.800	488DI6D	6TMSED FILL,AL6	Sci, Eng, and D/L Chan	200	4	0	6,861,731:01:0	
396	2	349	10:10:12.800	488DI6E	6TMSED FILL,AL5	Sci, Eng, and D/L Chan	200	4	0	6,861,733:59:0	
397	2	349	22:50:41.466	488DJ6A	6TMSED NORM,AL5	Sci, Eng, and D/L Chan	200	4	0	6,862,485:70:0	
398	2	349	23:02:28.800	488DJ6B	6TMSED NORM,AL6	Sci, Eng, and D/L Chan	200	4	0	6,862,497:39:0	
399	2	350	02:37:07.466	488DJ6C	6TMSED FILL,AL6	Sci, Eng, and D/L Chan	200	4	0	6,862,709:65:0	
400	2	350	02:40:04.800	488DJ6D	6TMSED FILL,AL4	Sci, Eng, and D/L Chan	200	4	0	6,862,712:58:0	
401	2	350	04:57:30.133	488DK6A	6TMSED NORM,AL4	Sci, Eng, and D/L Chan	200	4	0	6,862,848:50:0	
402	2	350	05:07:16.800	488DK6B	6TMSED NORM,AL5	Sci, Eng, and D/L Chan	200	4	0	6,862,858:20:0	
403	2	350	05:54:12.800	488DK6C	6TMSED NORM,AL6	Sci, Eng, and D/L Chan	200	4	0	6,862,904:58:0	
404	2	350	14:57:17.400	488DL6A	6TMSED FILL,AL6	Sci, Eng, and D/L Chan	200	4	0	6,863,441:68:0	
405	2	350	15:00:20.733	488DL6B	6TMSED FILL,AL4	Sci, Eng, and D/L Chan	200	4	0	6,863,444:70:0	
406	2	350	21:07:35.400	488DM6A	6TMSED NORM,AL4	Sci, Eng, and D/L Chan	200	4	0	6,863,807:89:0	
407	2	350	21:32:52.733	488DM6B	6TMSED NORM,AL5	Sci, Eng, and D/L Chan	200	4	0	6,863,832:90:0	
408	2	350	22:47:32.733	488DM6C	6TMSED NORM,AL6	Sci, Eng, and D/L Chan	200	4	0	6,863,906:76:0	
409	2	351	02:07:14.733	488DM6D	6TMSED FILL,AL6	Sci, Eng, and D/L Chan	200	4	0	6,864,104:31:0	
410	2	351	02:10:12.733	488DM6E	6TMSED FILL,AL4	Sci, Eng, and D/L Chan	200	4	0	6,864,107:25:0	
411	2	351	04:47:37.400	488DN6A	6TMSED NORM,AL4	Sci, Eng, and D/L Chan	200	4	0	6,864,262:87:0	
412	2	351	05:17:56.733	488DN6B	6TMSED NORM,AL5	Sci, Eng, and D/L Chan	200	4	0	6,864,292:86:0	
413	2	351	06:07:10.733	488DN6C	6TMSED FILL,AL5	Sci, Eng, and D/L Chan	200	4	0	6,864,341:58:0	
414	2	351	06:36:16.733	488DN6D	6TMSED NORM,AL5	Sci, Eng, and D/L Chan	200	4	0	6,864,370:38:0	
415	2	351	07:17:24.733	488DN6E	6TMSED NORM,AL6	Sci, Eng, and D/L Chan	200	4	0	6,864,411:09:0	
416	2	351	11:32:26.733	488DO6A	6TMSED FILL,AL6	Sci, Eng, and D/L Chan	200	4	0	6,864,663:30:0	
417	2	351	11:35:32.733	488DO6B	6TMSED FILL,AL4	Sci, Eng, and D/L Chan	200	4	0	6,864,666:36:0	
418	2	351	21:02:41.333	488DP6A	6TMSED NORM,AL4	Sci, Eng, and D/L Chan	200	4	0	6,865,227:28:0	
419	2	351	21:28:36.666	488DP6B	6TMSED NORM,AL5	Sci, Eng, and D/L Chan	200	4	0	6,865,252:86:0	
420	2	351	22:39:00.666	488DP6C	6TMSED NORM,AL6	Sci, Eng, and D/L Chan	200	4	0	6,865,322:52:0	
421	2	352	03:52:04.666	488DQ6A	6TMSED FILL,AL6	Sci, Eng, and D/L Chan	200	4	0	6,865,632:18:0	

Line	YR	DOY	SCET - GMT	PSID	Command	Parameters	Description	GCM	GO	GS	RIM	MF I
422	2	352	03:54:44.666	488DQ6B	6TMSED	FILL,AL4	Sci, Eng, and D/L Chan	200	4	0	6,865,634:76:0	
423	2	352	20:52:48.666	488DR6A	6TMSED	NORM,AL4	Sci, Eng, and D/L Chan	200	4	0	6,866,641:65:0	
424	2	352	21:24:20.666	488DR6B	6TMSED	NORM,AL5	Sci, Eng, and D/L Chan	200	4	0	6,866,672:82:0	
425	2	352	22:28:20.666	488DR6C	6TMSED	NORM,AL6	Sci, Eng, and D/L Chan	200	4	0	6,866,736:18:0	
426	2	353	00:52:31.333	488DR6D	6TMSED	FILL,AL6	Sci, Eng, and D/L Chan	200	4	0	6,866,878:72:0	
427	2	353	00:55:32.666	488DR6E	6TMSED	FILL,AL4	Sci, Eng, and D/L Chan	200	4	0	6,866,881:71:0	
428	2	353	04:47:50.666	488DS6A	6TMSED	NORM,AL4	Sci, Eng, and D/L Chan	200	4	0	6,867,111:48:0	
429	2	353	04:58:44.666	488DS6B	6TMSED	NORM,AL5	Sci, Eng, and D/L Chan	200	4	0	6,867,122:28:0	
430	2	353	05:32:52.666	488DS6C	6TMSED	NORM,AL6	Sci, Eng, and D/L Chan	200	4	0	6,867,156:06:0	
431	2	353	11:42:52.600	488DT6A	6TMSED	FILL,AL6	Sci, Eng, and D/L Chan	200	4	0	6,867,522:00:0	
432	2	353	11:46:12.600	488DT6B	6TMSED	FILL,AL4	Sci, Eng, and D/L Chan	200	4	0	6,867,525:27:0	
433	2	353	20:57:55.266	488DU6A	6TMSED	NORM,AL4	Sci, Eng, and D/L Chan	200	4	0	6,868,070:86:0	
434	2	353	21:17:56.600	488DU6B	6TMSED	NORM,AL5	Sci, Eng, and D/L Chan	200	4	0	6,868,090:68:0	
435	2	353	22:24:04.600	488DU6C	6TMSED	NORM,AL6	Sci, Eng, and D/L Chan	200	4	0	6,868,156:14:0	
436	2	354	03:18:02.600	488DV6A	6TMSED	FILL,AL6	Sci, Eng, and D/L Chan	200	4	0	6,868,446:81:0	
437	2	354	03:20:36.600	488DV6B	6TMSED	FILL,AL5	Sci, Eng, and D/L Chan	200	4	0	6,868,449:39:0	
438	2	354	05:11:10.600	488DV6C	6TMSED	NORM,AL5	Sci, Eng, and D/L Chan	200	4	0	6,868,558:71:0	
439	2	354	05:24:20.600	488DV6D	6TMSED	NORM,AL6	Sci, Eng, and D/L Chan	200	4	0	6,868,571:73:0	
440	2	354	11:13:00.600	488DW6A	6TMSED	FILL,AL6	Sci, Eng, and D/L Chan	200	4	0	6,868,916:58:0	
441	2	354	11:16:20.600	488DW6B	6TMSED	FILL,AL4	Sci, Eng, and D/L Chan	200	4	0	6,868,919:85:0	
442	2	354	21:28:02.533	488DX6A	6TMSED	NORM,AL4	Sci, Eng, and D/L Chan	200	4	0	6,869,524:83:0	
443	2	354	21:39:16.533	488DX6B	6TMSED	NORM,AL5	Sci, Eng, and D/L Chan	200	4	0	6,869,536:02:0	
444	2	354	22:41:45.200	488DX6C	6TMSED	FILL,AL5	Sci, Eng, and D/L Chan	200	4	0	6,869,597:74:0	
445	2	354	23:10:51.866	488DX6D	6TMSED	NORM,AL5	Sci, Eng, and D/L Chan	200	4	0	6,869,626:55:0	
446	2	355	00:53:24.533	488DX6E	6TMSED	NORM,AL6	Sci, Eng, and D/L Chan	200	4	0	6,869,728:02:0	
447	2	355	05:03:00.533	488DY6A	6TMSED	NORM,AL5	Sci, Eng, and D/L Chan	200	4	0	6,869,974:80:0	
448	2	355	05:17:56.533	488DY6B	6TMSED	NORM,AL6	Sci, Eng, and D/L Chan	200	4	0	6,869,989:59:0	
449	2	355	06:18:06.533	488DY6C	6TMSED	FILL,AL6	Sci, Eng, and D/L Chan	200	4	0	6,870,049:14:0	
450	2	355	06:44:56.533	488DY6D	6TMSED	NORM,AL6	Sci, Eng, and D/L Chan	200	4	0	6,870,075:63:0	
451	2	355	10:43:07.200	488DY6E	6TMSED	FILL,AL6	Sci, Eng, and D/L Chan	200	4	0	6,870,311:23:0	
452	2	355	10:46:28.533	488DZ6A	6TMSED	FILL,AL4	Sci, Eng, and D/L Chan	200	4	0	6,870,314:52:0	
453	2	355	20:53:08.533	488EA6A	6TMSED	NORM,AL4	Sci, Eng, and D/L Chan	200	4	0	6,870,914:52:0	
454	2	355	21:09:24.533	488EA6B	6TMSED	NORM,AL5	Sci, Eng, and D/L Chan	200	4	0	6,870,930:60:0	
455	2	355	22:09:08.533	488EA6C	6TMSED	NORM,AL6	Sci, Eng, and D/L Chan	200	4	0	6,870,989:67:0	
456	2	356	04:03:40.466	488EB6A	6TMSED	FILL,AL6	Sci, Eng, and D/L Chan	200	4	0	6,871,340:34:0	
457	2	356	06:50:30.466	488EB6B	6TMSED	NORM,AL6	Sci, Eng, and D/L Chan	200	4	0	6,871,505:34:0	
458	2	356	11:03:14.466	488EC6A	6TMSED	FILL,AL6	Sci, Eng, and D/L Chan	200	4	0	6,871,755:30:0	
459	2	356	11:05:40.466	488EC6B	6TMSED	FILL,AL5	Sci, Eng, and D/L Chan	200	4	0	6,871,757:67:0	
460	2	357	04:56:29.800	488ED6A	6TMSED	NORM,AL5	Sci, Eng, and D/L Chan	200	4	0	6,872,816:72:0	
461	2	357	05:09:24.466	488ED6B	6TMSED	NORM,AL6	Sci, Eng, and D/L Chan	200	4	0	6,872,829:51:0	
462	2	357	14:57:40.400	488EE6A	6TMSED	FILL,AL6	Sci, Eng, and D/L Chan	200	4	0	6,873,411:33:0	
463	2	357	15:00:20.400	488EE6B	6TMSED	FILL,AL4	Sci, Eng, and D/L Chan	200	4	0	6,873,414:00:0	
464	2	357	21:03:20.400	488EF6A	6TMSED	NORM,AL4	Sci, Eng, and D/L Chan	200	4	0	6,873,773:01:0	
465	2	357	21:24:20.400	488EF6B	6TMSED	NORM,AL5	Sci, Eng, and D/L Chan	200	4	0	6,873,793:71:0	
466	2	357	22:16:26.400	488EF6C	6TMSED	FILL,AL5	Sci, Eng, and D/L Chan	200	4	0	6,873,845:28:0	
467	2	357	22:45:32.400	488EF6D	6TMSED	NORM,AL5	Sci, Eng, and D/L Chan	200	4	0	6,873,874:08:0	
468	2	358	00:00:04.400	488EF6E	6TMSED	NORM,AL6	Sci, Eng, and D/L Chan	200	4	0	6,873,947:73:0	

Line	YR	DOY	SCET - GMT	PSID	Command Parameters	Description	GCM	GO	GS	RIM	MF I
469	2	358	02:38:37.733	488EG6A	6TMSED FILL,AL6	Sci, Eng, and D/L Chan	200	4	0	6,874,104:56:0	
470	2	358	02:42:12.400	488EG6B	6TMSED FILL,AL4	Sci, Eng, and D/L Chan	200	4	0	6,874,108:14:0	
471	2	358	04:13:22.400	488EG6C	6TMSED NORM,AL4	Sci, Eng, and D/L Chan	200	4	0	6,874,198:29:0	
472	2	358	04:24:36.400	488EG6D	6TMSED NORM,AL5	Sci, Eng, and D/L Chan	200	4	0	6,874,209:39:0	
473	2	358	05:05:08.400	488EG6E	6TMSED NORM,AL6	Sci, Eng, and D/L Chan	200	4	0	6,874,249:47:0	
474	2	358	09:43:25.066	488EH6A	6TMSED FILL,AL6	Sci, Eng, and D/L Chan	200	4	0	6,874,524:67:0	
475	2	358	09:46:44.400	488EH6B	6TMSED FILL,AL4	Sci, Eng, and D/L Chan	200	4	0	6,874,528:02:0	
476	2	359	04:08:28.333	488E16A	6TMSED NORM,AL4	Sci, Eng, and D/L Chan	200	4	0	6,875,617:59:0	
477	2	359	04:18:12.333	488E16B	6TMSED NORM,AL5	Sci, Eng, and D/L Chan	200	4	0	6,875,627:25:0	
478	2	359	04:58:44.333	488E16C	6TMSED NORM,AL6	Sci, Eng, and D/L Chan	200	4	0	6,875,667:33:0	
479	2	359	11:08:37.666	488E16A	6TMSED FILL,AL6	Sci, Eng, and D/L Chan	200	4	0	6,876,033:17:0	
480	2	359	11:12:04.333	488E16B	6TMSED FILL,AL4	Sci, Eng, and D/L Chan	200	4	0	6,876,036:54:0	
481	2	359	20:23:32.333	488EK6A	6TMSED NORM,AL4	Sci, Eng, and D/L Chan	200	4	0	6,876,582:00:0	
482	2	359	20:50:12.333	488EK6B	6TMSED NORM,AL5	Sci, Eng, and D/L Chan	200	4	0	6,876,608:34:0	
483	2	359	21:43:32.333	488EK6C	6TMSED NORM,AL6	Sci, Eng, and D/L Chan	200	4	0	6,876,661:11:0	
484	2	360	11:43:14.933	488EL6A	6TMSED FILL,AL6	Sci, Eng, and D/L Chan	200	4	0	6,877,491:55:0	
485	2	360	11:46:12.266	488EL6B	6TMSED FILL,AL4	Sci, Eng, and D/L Chan	200	4	0	6,877,494:48:0	
486	2	360	20:23:38.266	488EM6A	6TMSED NORM,AL4	Sci, Eng, and D/L Chan	200	4	0	6,878,006:25:0	
487	2	360	20:43:48.266	488EM6B	6TMSED NORM,AL5	Sci, Eng, and D/L Chan	200	4	0	6,878,026:20:0	
488	2	360	21:39:16.266	488EM6C	6TMSED NORM,AL6	Sci, Eng, and D/L Chan	200	4	0	6,878,081:07:0	
489	2	361	02:38:46.933	488EN6A	6TMSED FILL,AL6	Sci, Eng, and D/L Chan	200	4	0	6,878,377:27:0	
490	2	361	02:42:12.266	488EN6B	6TMSED FILL,AL4	Sci, Eng, and D/L Chan	200	4	0	6,878,380:62:0	
491	2	361	04:08:40.266	488EN6C	6TMSED NORM,AL4	Sci, Eng, and D/L Chan	200	4	0	6,878,466:18:0	
492	2	361	04:20:20.266	488EN6D	6TMSED NORM,AL5	Sci, Eng, and D/L Chan	200	4	0	6,878,477:67:0	
493	2	361	04:43:48.266	488EN6E	6TMSED NORM,AL6	Sci, Eng, and D/L Chan	200	4	0	6,878,500:86:0	
494	2	361	05:56:39.600	176ZE6A	6TMREC PPB	PAUSE PLAYBACK (PB CONTROL) Record Mode C	200	4	0	6,878,573:00:0	
495	2	361	06:02:00.266	20UC4B	7SLEW DIS,POS,0.0	Stator movement	200	4	0	6,878,578:26:0	
496	2	361	06:03:00.266	20UC4D	7MODE SPNL	AACS ALL-SPIN LOW	200	4	0	6,878,579:25:0	
497	2	361	06:05:00.266	20UC4E	7SAFE UNSTOW	S/P TO 153 deg cone	200	4	0	6,878,581:23:0	
498	2	361	06:10:30.266	20UC4G	7VENT 0.611,1.333,8	ALERT -- Thruster fire	200	4	0	6,878,586:63:0	
499	2	361	06:10:30.933	20UC4H	7VENT 0.611,10.989,8	ALERT -- Thruster fire	200	4	0	6,878,586:64:0	
500	2	361	06:10:50.933	20UC4I	7VENT 0.611,1.333,6	ALERT -- Thruster fire	200	4	0	6,878,587:03:0	
501	2	361	06:10:51.600	20UC4J	7VENT 0.611,10.989,6	ALERT -- Thruster fire	200	4	0	6,878,587:04:0	
502	2	361	06:11:11.600	20UC4K	7VENT 0.611,1.333,4	ALERT -- Thruster fire	200	4	0	6,878,587:34:0	
503	2	361	06:11:12.266	20UC4L	7VENT 0.611,0.666,5	ALERT -- Thruster fire	200	4	0	6,878,587:35:0	
504	2	361	06:11:22.266	20UC4M	7VENT 0.611,1.333,4	ALERT -- Thruster fire	200	4	0	6,878,587:50:0	
505	2	361	06:11:22.933	20UC4N	7VENT 0.611,0.666,5	ALERT -- Thruster fire	200	4	0	6,878,587:51:0	
506	2	361	06:11:32.933	20UC4O	7VENT 1.211,1.333,10	ALERT -- Thruster fire	200	4	0	6,878,587:66:0	
507	2	361	06:11:33.600	20UC4P	7VENT 1.211,0.666,12	ALERT -- Thruster fire	200	4	0	6,878,587:67:0	
508	2	361	06:13:20.266	20UC4S	7VENT 0.611,1.333,7	ALERT -- Thruster fire	200	4	0	6,878,589:45:0	
509	2	361	06:13:20.933	20UC4T	7VENT 0.611,10.989,7	ALERT -- Thruster fire	200	4	0	6,878,589:46:0	
510	2	361	06:13:40.933	20UC4U	7VENT 0.611,1.333,1	ALERT -- Thruster fire	200	4	0	6,878,589:76:0	
511	2	361	06:13:41.600	20UC4V	7VENT 0.611,10.989,1	ALERT -- Thruster fire	200	4	0	6,878,589:77:0	
512	2	361	06:14:01.600	20UC4AC	7VENT 0.611,1.333,2	ALERT -- Thruster fire	200	4	0	6,878,590:16:0	
513	2	361	06:14:02.266	20UC4AD	7VENT 0.611,0.666,3	ALERT -- Thruster fire	200	4	0	6,878,590:17:0	
514	2	361	06:14:12.266	20UC4AE	7VENT 0.611,1.333,2	ALERT -- Thruster fire	200	4	0	6,878,590:32:0	
515	2	361	06:14:12.933	20UC4AF	7VENT 0.611,0.666,3	ALERT -- Thruster fire	200	4	0	6,878,590:33:0	

Line	YR	DOY	SCET - GMT	PSID	Command Parameters	Description	GCM	GO	GS	RIM	MF I
516	2	361	06:14:22.933	20UC4W	7VENT 1.211,1.333,9	ALERT -- Thruster fire	200	4	0	6,878,590:48:0	
517	2	361	06:14:23.600	20UC4X	7VENT 1.211,0.666,11	ALERT -- Thruster fire	200	4	0	6,878,590:49:0	
518	2	361	06:15:20.266	20UC4Z	7MODE GRU	AACS CRUISE MODE	200	4	0	6,878,591:43:0	
519	2	361	06:34:04.266	176ZF6A	6TMREC RPB	RESUME PLAYBACK (PB CONTROL) Record Mode	200	4	0	6,878,610:00:0	
520	2	361	09:23:56.933	488EO6A	6TMSED FILL,AL6	Sci, Eng, and D/L Chan	200	4	0	6,878,778:01:0	
521	2	361	09:27:32.266	488EO6B	6TMSED FILL,AL4	Sci, Eng, and D/L Chan	200	4	0	6,878,781:51:0	
522	2	361	20:18:44.200	488EP6A	6TMSED NORM,AL4	Sci, Eng, and D/L Chan	200	4	0	6,879,425:55:0	
523	2	361	20:39:32.200	488EP6B	6TMSED NORM,AL5	Sci, Eng, and D/L Chan	200	4	0	6,879,446:16:0	
524	2	361	21:35:00.200	488EP6C	6TMSED NORM,AL6	Sci, Eng, and D/L Chan	200	4	0	6,879,501:03:0	
525	2	362	02:38:49.533	488EQ6A	6TMSED FILL,AL6	Sci, Eng, and D/L Chan	200	4	0	6,879,801:47:0	
526	2	362	02:42:12.200	488EQ6B	6TMSED FILL,AL4	Sci, Eng, and D/L Chan	200	4	0	6,879,804:78:0	
527	2	362	04:08:46.200	488EQ6C	6TMSED NORM,AL4	Sci, Eng, and D/L Chan	200	4	0	6,879,890:43:0	
528	2	362	04:20:20.200	488EQ6D	6TMSED NORM,AL5	Sci, Eng, and D/L Chan	200	4	0	6,879,901:83:0	
529	2	362	05:21:01.533	488EQ6E	6TMSED FILL,AL5	Sci, Eng, and D/L Chan	200	4	0	6,879,961:85:0	
530	2	362	05:43:32.200	488ER6A	6TMSED FILL,AL6	Sci, Eng, and D/L Chan	200	4	0	6,879,984:18:0	
531	2	362	05:48:33.533	488ER6B	6TMSED NORM,AL6	Sci, Eng, and D/L Chan	200	4	0	6,879,989:15:0	
532	2	362	06:03:00.200	488ER6C	6TMSED NORM,AH6	Sci, Eng, and D/L Chan	200	4	0	6,880,003:41:0	
533	2	362	08:13:00.200	488ER6D	6TMSED NORM,AL6	Sci, Eng, and D/L Chan	200	4	0	6,880,132:02:0	
534	2	362	11:28:22.200	488ER6E	6TMSED FILL,AL6	Sci, Eng, and D/L Chan	200	4	0	6,880,325:22:0	
535	2	362	11:31:16.200	488ES6A	6TMSED FILL,AL4	Sci, Eng, and D/L Chan	200	4	0	6,880,328:10:0	
536	2	362	20:18:49.533	488ET6A	6TMSED NORM,AL4	Sci, Eng, and D/L Chan	200	4	0	6,880,849:79:0	
537	2	362	20:35:16.200	488ET6B	6TMSED NORM,AL5	Sci, Eng, and D/L Chan	200	4	0	6,880,866:12:0	
538	2	362	21:24:20.200	488ET6C	6TMSED NORM,AL6	Sci, Eng, and D/L Chan	200	4	0	6,880,914:60:0	
539	2	363	02:28:32.200	488EU6A	6TMSED FILL,AL6	Sci, Eng, and D/L Chan	200	4	0	6,881,215:47:0	
540	2	363	02:31:32.200	488EU6B	6TMSED FILL,AL4	Sci, Eng, and D/L Chan	200	4	0	6,881,218:44:0	
541	2	363	03:48:51.533	488EU6C	6TMSED NORM,AL4	Sci, Eng, and D/L Chan	200	4	0	6,881,294:87:0	
542	2	363	03:59:00.200	488EU6D	6TMSED NORM,AL5	Sci, Eng, and D/L Chan	200	4	0	6,881,304:90:0	
543	2	363	04:35:16.200	488EU6E	6TMSED NORM,AL6	Sci, Eng, and D/L Chan	200	4	0	6,881,340:78:0	
544	2	363	11:13:27.466	488EV6A	6TMSED FILL,AL6	Sci, Eng, and D/L Chan	200	4	0	6,881,734:61:0	
545	2	363	11:16:20.133	488EV6B	6TMSED FILL,AL4	Sci, Eng, and D/L Chan	200	4	0	6,881,737:47:0	
546	2	364	03:43:57.466	488EW6A	6TMSED NORM,AL4	Sci, Eng, and D/L Chan	200	4	0	6,882,714:26:0	
547	2	364	03:54:44.133	488EW6B	6TMSED NORM,AL5	Sci, Eng, and D/L Chan	200	4	0	6,882,724:86:0	
548	2	364	04:28:52.133	488EW6C	6TMSED NORM,AL6	Sci, Eng, and D/L Chan	200	4	0	6,882,758:64:0	
549	2	364	10:38:55.466	488EX6A	6TMSED FILL,AL6	Sci, Eng, and D/L Chan	200	4	0	6,883,124:63:0	
550	2	364	10:42:12.133	488EX6B	6TMSED FILL,AL4	Sci, Eng, and D/L Chan	200	4	0	6,883,127:85:0	
551	2	364	20:14:00.733	488EY6A	6TMSED NORM,AL4	Sci, Eng, and D/L Chan	200	4	0	6,883,693:42:0	
552	2	364	20:50:12.066	488EY6B	6TMSED NORM,AL5	Sci, Eng, and D/L Chan	200	4	0	6,883,729:23:0	
553	2	364	21:30:46.733	488EY6C	6TMSED FILL,AL5	Sci, Eng, and D/L Chan	200	4	0	6,883,769:35:0	
554	2	364	21:59:52.733	488EY6D	6TMSED NORM,AL5	Sci, Eng, and D/L Chan	200	4	0	6,883,798:15:0	
555	2	364	22:53:56.066	488EY6E	6TMSED NORM,AL6	Sci, Eng, and D/L Chan	200	4	0	6,883,851:57:0	
556	2	365	01:00:00.066	481UB4A	7VECT	Inert vect update UTC	200	4	0	6,883,976:28:0	
557	2	365	01:58:41.400	488EZ6A	6TMSED FILL,AL6	Sci, Eng, and D/L Chan	200	4	0	6,884,034:32:0	
558	2	365	02:01:40.066	488EZ6B	6TMSED FILL,AL4	Sci, Eng, and D/L Chan	200	4	0	6,884,037:27:0	
559	2	365	03:39:02.733	488EZ6C	6TMSED NORM,AL4	Sci, Eng, and D/L Chan	200	4	0	6,884,133:55:0	
560	2	365	03:50:28.066	488EZ6D	6TMSED NORM,AL5	Sci, Eng, and D/L Chan	200	4	0	6,884,144:82:0	
561	2	365	04:28:52.066	488EZ6E	6TMSED NORM,AL6	Sci, Eng, and D/L Chan	200	4	0	6,884,182:80:0	
562	2	365	11:08:54.733	488FA6A	6TMSED FILL,AL6	Sci, Eng, and D/L Chan	200	4	0	6,884,578:48:0	

Line	YR	DOY	SCET - GMT	PSID	Command Parameters	Description	GCM	GO	GS	RIM	MF I
563	2	365	11:12:04.066	488FA6B	6TMSED FILL,AL4	Sci, Eng, and D/L Chan	200	4	0	6,884,581:59:0	
564	2	365	20:14:06.733	488FB6A	6TMSED NORM,AL4	Sci, Eng, and D/L Chan	200	4	0	6,885,117:67:0	
565	2	365	20:43:48.066	488FB6B	6TMSED NORM,AL5	Sci, Eng, and D/L Chan	200	4	0	6,885,147:09:0	
566	2	365	21:25:41.400	488FB6C	6TMSED FILL,AL5	Sci, Eng, and D/L Chan	200	4	0	6,885,188:48:0	
567	2	365	21:54:47.400	488FB6D	6TMSED NORM,AL5	Sci, Eng, and D/L Chan	200	4	0	6,885,217:28:0	
568	2	365	22:49:40.066	488FB6E	6TMSED NORM,AL6	Sci, Eng, and D/L Chan	200	4	0	6,885,271:53:0	
569	3	1	01:58:33.333	488FC6A	6TMSED FILL,AL6	Sci, Eng, and D/L Chan	200	4	0	6,885,458:36:0	
570	3	1	02:01:40.000	488FC6B	6TMSED FILL,AL3	Sci, Eng, and D/L Chan	200	4	0	6,885,461:43:0	
571	3	1	03:35:27.333	488FC6C	6TMSED NORM,AL3	Sci, Eng, and D/L Chan	200	4	0	6,885,554:21:0	
572	3	1	03:44:04.000	488FC6D	6TMSED NORM,AL5	Sci, Eng, and D/L Chan	200	4	0	6,885,562:68:0	
573	3	1	04:24:36.000	488FC6E	6TMSED NORM,AL6	Sci, Eng, and D/L Chan	200	4	0	6,885,602:76:0	
574	3	1	09:25:24.000	488FD6A	6TMSED NORM,AL7	Sci, Eng, and D/L Chan	200	4	0	6,885,900:30:0	
575	3	1	10:08:04.000	488FD6B	6TMSED NORM,AL6	Sci, Eng, and D/L Chan	200	4	0	6,885,942:48:0	
576	3	1	11:34:15.333	488FD6C	6TMSED FILL,AL6	Sci, Eng, and D/L Chan	200	4	0	6,886,027:70:0	
577	3	1	11:37:40.000	488FD6D	6TMSED FILL,AL4	Sci, Eng, and D/L Chan	200	4	0	6,886,031:13:0	
578	3	1	19:54:11.333	488FE6A	6TMSED NORM,AL4	Sci, Eng, and D/L Chan	200	4	0	6,886,522:19:0	
579	3	1	20:13:56.000	488FE6B	6TMSED NORM,AL5	Sci, Eng, and D/L Chan	200	4	0	6,886,541:67:0	
580	3	1	21:09:24.000	488FE6C	6TMSED NORM,AL6	Sci, Eng, and D/L Chan	200	4	0	6,886,596:54:0	
581	3	2	02:34:24.666	488FF6A	6TMSED FILL,AL6	Sci, Eng, and D/L Chan	200	4	0	6,886,918:03:0	
582	3	2	02:37:56.000	488FF6B	6TMSED FILL,AL4	Sci, Eng, and D/L Chan	200	4	0	6,886,921:47:0	
583	3	2	03:34:12.666	488FF6C	6TMSED NORM,AL4	Sci, Eng, and D/L Chan	200	4	0	6,886,977:16:0	
584	3	2	03:44:04.000	488FF6D	6TMSED NORM,AL5	Sci, Eng, and D/L Chan	200	4	0	6,886,986:84:0	
585	3	2	04:20:20.000	488FF6E	6TMSED NORM,AL6	Sci, Eng, and D/L Chan	200	4	0	6,887,022:72:0	
586	3	2	08:55:32.000	488FG6A	6TMSED NORM,AL7	Sci, Eng, and D/L Chan	200	4	0	6,887,294:88:0	
587	3	2	10:27:16.000	488FG6B	6TMSED NORM,AL6	Sci, Eng, and D/L Chan	200	4	0	6,887,385:63:0	
588	3	2	11:28:35.266	488FG6C	6TMSED FILL,AL6	Sci, Eng, and D/L Chan	200	4	0	6,887,446:31:0	
589	3	2	11:31:15.933	488FG6D	6TMSED FILL,AL4	Sci, Eng, and D/L Chan	200	4	0	6,887,448:90:0	
590	3	2	19:49:16.600	488FH6A	6TMSED NORM,AL4	Sci, Eng, and D/L Chan	200	4	0	6,887,941:48:0	
591	3	2	20:09:39.933	488FH6B	6TMSED NORM,AL5	Sci, Eng, and D/L Chan	200	4	0	6,887,961:63:0	
592	3	2	21:05:07.933	488FH6C	6TMSED NORM,AL6	Sci, Eng, and D/L Chan	200	4	0	6,888,016:50:0	
593	3	3	02:49:25.266	488FI6A	6TMSED FILL,AL6	Sci, Eng, and D/L Chan	200	4	0	6,888,357:05:0	
594	3	3	02:52:51.933	488FI6B	6TMSED FILL,AL4	Sci, Eng, and D/L Chan	200	4	0	6,888,360:42:0	
595	3	3	03:39:17.266	488FI6C	6TMSED NORM,AL4	Sci, Eng, and D/L Chan	200	4	0	6,888,406:34:0	
596	3	3	03:50:27.933	488FI6D	6TMSED NORM,AL5	Sci, Eng, and D/L Chan	200	4	0	6,888,417:39:0	
597	3	3	04:16:03.933	488FI6E	6TMSED NORM,AL6	Sci, Eng, and D/L Chan	200	4	0	6,888,442:68:0	
598	3	3	08:40:35.933	488FJ6A	6TMSED NORM,AL7	Sci, Eng, and D/L Chan	200	4	0	6,888,704:34:0	
599	3	3	10:31:31.933	488FJ6B	6TMSED NORM,AL6	Sci, Eng, and D/L Chan	200	4	0	6,888,814:08:0	
600	3	3	11:09:01.933	488FJ6C	6TMSED FILL,AL6	Sci, Eng, and D/L Chan	200	4	0	6,888,851:16:0	
601	3	3	11:12:03.933	488FJ6D	6TMSED FILL,AL4	Sci, Eng, and D/L Chan	200	4	0	6,888,854:16:0	
602	3	3	19:49:20.600	488FK6A	6TMSED NORM,AL4	Sci, Eng, and D/L Chan	200	4	0	6,889,365:70:0	
603	3	3	20:05:23.933	488FK6B	6TMSED NORM,AL5	Sci, Eng, and D/L Chan	200	4	0	6,889,381:59:0	
604	3	3	21:00:51.933	488FK6C	6TMSED NORM,AL6	Sci, Eng, and D/L Chan	200	4	0	6,889,436:46:0	
605	3	4	02:49:27.866	488FL6A	6TMSED FILL,AL6	Sci, Eng, and D/L Chan	200	4	0	6,889,781:25:0	
606	3	4	02:52:51.866	488FL6B	6TMSED FILL,AL4	Sci, Eng, and D/L Chan	200	4	0	6,889,784:58:0	
607	3	4	03:39:22.533	488FL6C	6TMSED NORM,AL4	Sci, Eng, and D/L Chan	200	4	0	6,889,830:58:0	
608	3	4	03:50:27.866	488FL6D	6TMSED NORM,AL5	Sci, Eng, and D/L Chan	200	4	0	6,889,841:55:0	
609	3	4	04:50:25.200	488FL6E	6TMSED FILL,AL5	Sci, Eng, and D/L Chan	200	4	0	6,889,900:82:0	

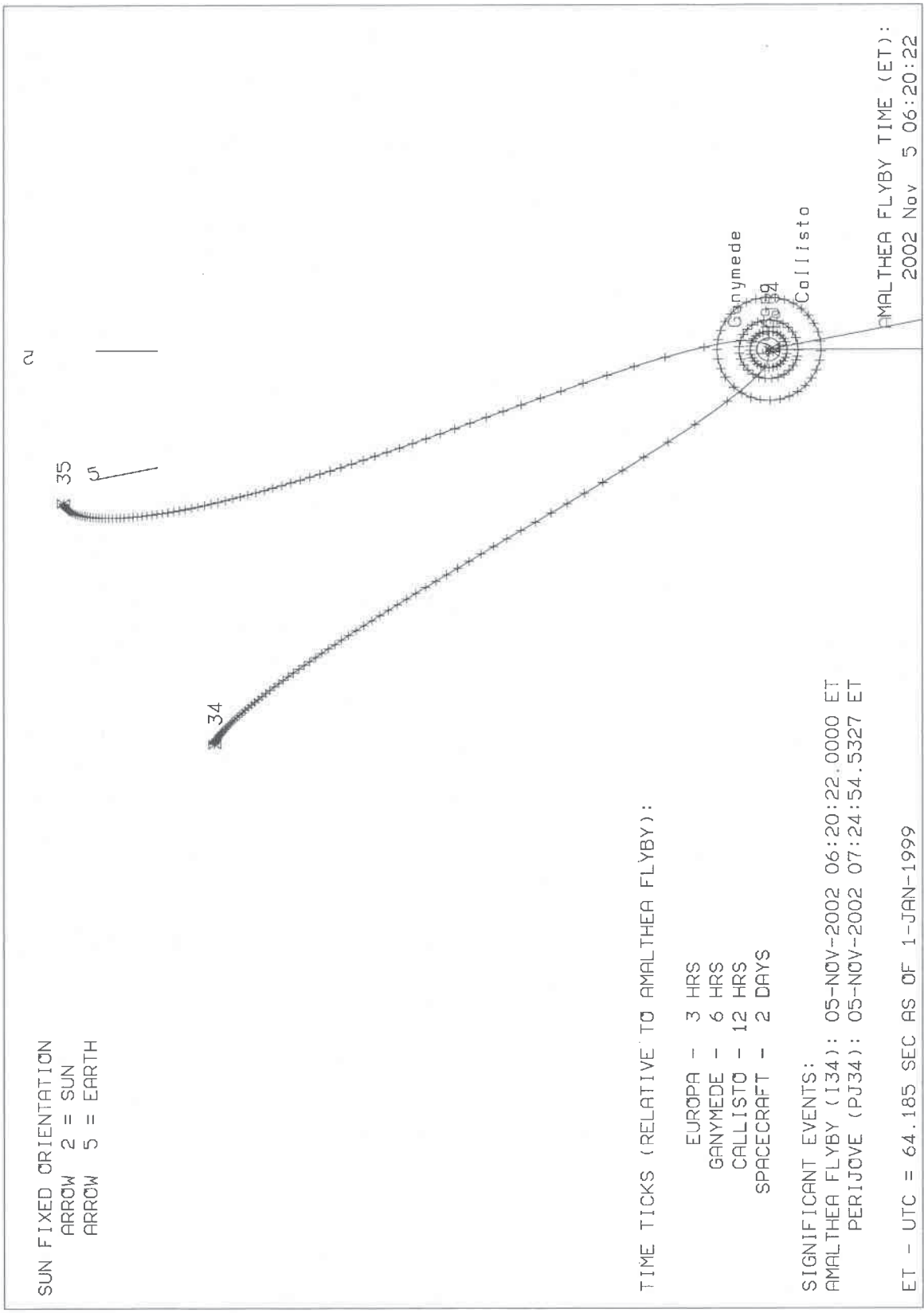
Line	YR	DOY	SCET - GMT	PSID	Command Parameters	Description	GCM	GO	GS	RIM	MFI
610	3	4	05:11:31.866	488FM6A	6TMSED FILL,AL6	Sci, Eng, and D/L Chan	200	4	0	6,889,921:71:0	
611	3	4	05:17:36.533	488FM6B	6TMSED NORM,AL6	Sci, Eng, and D/L Chan	200	4	0	6,889,927:72:0	
612	3	4	09:09:19.866	488FM6C	6TMSED FILL,AL6	Sci, Eng, and D/L Chan	200	4	0	6,890,156:88:0	
613	3	4	09:12:35.866	488FM6D	6TMSED FILL,AL4	Sci, Eng, and D/L Chan	200	4	0	6,890,160:18:0	
614	3	4	19:54:25.200	488FN6A	6TMSED NORM,AL4	Sci, Eng, and D/L Chan	200	4	0	6,890,794:88:0	
615	3	4	20:05:23.866	488FN6B	6TMSED NORM,AL5	Sci, Eng, and D/L Chan	200	4	0	6,890,805:75:0	
616	3	4	20:54:27.866	488FN6C	6TMSED NORM,AL6	Sci, Eng, and D/L Chan	200	4	0	6,890,854:32:0	
617	3	5	02:43:47.200	488FO6A	6TMSED FILL,AL6	Sci, Eng, and D/L Chan	200	4	0	6,891,199:76:0	
618	3	5	02:46:27.866	488FO6B	6TMSED FILL,AL4	Sci, Eng, and D/L Chan	200	4	0	6,891,202:44:0	
619	3	5	03:19:26.533	488FO6C	6TMSED NORM,AL4	Sci, Eng, and D/L Chan	200	4	0	6,891,235:09:0	
620	3	5	03:29:07.866	488FO6D	6TMSED NORM,AL5	Sci, Eng, and D/L Chan	200	4	0	6,891,244:62:0	
621	3	5	04:05:23.866	488FO6E	6TMSED NORM,AL6	Sci, Eng, and D/L Chan	200	4	0	6,891,280:50:0	
622	3	5	08:29:55.800	488FP6A	6TMSED NORM,AL7	Sci, Eng, and D/L Chan	200	4	0	6,891,542:16:0	
623	3	5	10:27:15.800	488FP6B	6TMSED NORM,AL6	Sci, Eng, and D/L Chan	200	4	0	6,891,658:20:0	
624	3	5	11:09:06.466	488FP6C	6TMSED FILL,AL6	Sci, Eng, and D/L Chan	200	4	0	6,891,699:55:0	
625	3	5	11:12:03.800	488FP6D	6TMSED FILL,AL4	Sci, Eng, and D/L Chan	200	4	0	6,891,702:48:0	
626	3	5	19:49:30.466	488FQ6A	6TMSED NORM,AL4	Sci, Eng, and D/L Chan	200	4	0	6,892,214:26:0	
627	3	5	20:20:19.800	488FQ6B	6TMSED NORM,AL5	Sci, Eng, and D/L Chan	200	4	0	6,892,244:70:0	
628	3	5	21:00:17.800	488FQ6C	6TMSED FILL,AL5	Sci, Eng, and D/L Chan	200	4	0	6,892,284:27:0	
629	3	5	21:29:23.800	488FQ6D	6TMSED NORM,AL5	Sci, Eng, and D/L Chan	200	4	0	6,892,313:07:0	
630	3	5	22:26:11.800	488FQ6E	6TMSED NORM,AL6	Sci, Eng, and D/L Chan	200	4	0	6,892,369:23:0	
631	3	6	02:04:37.800	488FR6A	6TMSED FILL,AL6	Sci, Eng, and D/L Chan	200	4	0	6,892,585:26:0	
632	3	6	02:08:03.800	488FR6B	6TMSED FILL,AL4	Sci, Eng, and D/L Chan	200	4	0	6,892,588:62:0	
633	3	6	03:37:39.800	488FR6C	6TMSED FILL,AL5	Sci, Eng, and D/L Chan	200	4	0	6,892,677:27:0	
634	3	6	03:43:26.466	488FR6D	6TMSED NORM,AL5	Sci, Eng, and D/L Chan	200	4	0	6,892,683:01:0	
635	3	6	04:01:07.800	488FR6E	6TMSED NORM,AL6	Sci, Eng, and D/L Chan	200	4	0	6,892,700:46:0	
636	3	6	08:29:55.800	488FS6A	6TMSED NORM,AL7	Sci, Eng, and D/L Chan	200	4	0	6,892,966:32:0	
637	3	6	10:16:35.800	488FS6B	6TMSED NORM,AL6	Sci, Eng, and D/L Chan	200	4	0	6,893,071:77:0	
638	3	6	10:28:52.466	488FS6C	6TMSED FILL,AL6	Sci, Eng, and D/L Chan	200	4	0	6,893,083:90:0	
639	3	6	10:31:31.800	488FS6D	6TMSED FILL,AL4	Sci, Eng, and D/L Chan	200	4	0	6,893,086:56:0	
640	3	6	19:44:34.400	488FT6A	6TMSED NORM,AL4	Sci, Eng, and D/L Chan	200	4	0	6,893,633:53:0	
641	3	6	19:54:43.733	488FT6B	6TMSED NORM,AL5	Sci, Eng, and D/L Chan	200	4	0	6,893,643:57:0	
642	3	6	20:45:55.733	488FT6C	6TMSED NORM,AL6	Sci, Eng, and D/L Chan	200	4	0	6,893,694:24:0	
643	3	7	02:24:15.733	488FU6A	6TMSED FILL,AL6	Sci, Eng, and D/L Chan	200	4	0	6,894,028:80:0	
644	3	7	02:27:15.733	488FU6B	6TMSED FILL,AL4	Sci, Eng, and D/L Chan	200	4	0	6,894,031:77:0	
645	3	7	03:09:35.733	488FU6C	6TMSED NORM,AL4	Sci, Eng, and D/L Chan	200	4	0	6,894,073:65:0	
646	3	7	03:20:35.733	488FU6D	6TMSED NORM,AL5	Sci, Eng, and D/L Chan	200	4	0	6,894,084:54:0	
647	3	7	03:54:43.733	488FU6E	6TMSED NORM,AL6	Sci, Eng, and D/L Chan	200	4	0	6,894,118:32:0	
648	3	7	08:36:19.733	488FV6A	6TMSED NORM,AL7	Sci, Eng, and D/L Chan	200	4	0	6,894,396:78:0	
649	3	7	10:01:39.733	488FV6B	6TMSED NORM,AL6	Sci, Eng, and D/L Chan	200	4	0	6,894,481:23:0	
650	3	7	10:19:39.066	488FV6C	6TMSED FILL,AL6	Sci, Eng, and D/L Chan	200	4	0	6,894,499:04:0	
651	3	7	10:22:59.733	488FV6D	6TMSED FILL,AL4	Sci, Eng, and D/L Chan	200	4	0	6,894,502:32:0	
652	3	7	19:44:38.400	488FW6A	6TMSED NORM,AL4	Sci, Eng, and D/L Chan	200	4	0	6,895,057:75:0	
653	3	7	20:16:03.733	488FW6B	6TMSED NORM,AL5	Sci, Eng, and D/L Chan	200	4	0	6,895,088:82:0	
654	3	7	20:55:08.400	488FW6C	6TMSED FILL,AL5	Sci, Eng, and D/L Chan	200	4	0	6,895,127:50:0	
655	3	7	21:24:14.400	488FW6D	6TMSED NORM,AL5	Sci, Eng, and D/L Chan	200	4	0	6,895,156:30:0	
656	3	7	21:52:59.733	488FW6E	6TMSED NORM,AL5	Sci, Eng, and D/L Chan	200	4	0	6,895,184:70:0	

Line	YR	DOY	SCET - GMT	PSID	Command Parameters	Description	GCM	GO	GS	RIM	MF I
657	3	7	21:56:15.733	176ZG6A	6TMREC PPB	PAUSE PLAYBACK (PB CONTROL) Record Mode C	200	4	0	6,895,188:00:0	
658	3	7	22:00:03.733	20RO4B	7SAFE UNSTOW	S/P TO 153 deg cone	200	4	0	6,895,191:69:0	
659	3	7	22:19:47.733	488FX6A	6TMSED NORM,AH6	Sci, Eng, and D/L Chan	200	4	0	6,895,211:25:0	
660	3	7	22:23:29.733	20RO4I	7MODE INT	AACS INERTIAL MODE	200	4	0	6,895,214:85:0	
661	3	7	23:38:29.733	20RO4K	7SLEW INIT,POS,17.45	Stator movement	200	4	0	6,895,289:10:0	
662	3	7	23:50:29.733	20RO4L	7SLEW DIS,POS,0.0	Stator movement	200	4	0	6,895,300:89:0	
663	3	7	23:57:29.733	20RO4M	7SLEW INIT,NEG,17.45	Stator movement	200	4	0	6,895,307:82:0	
664	3	8	00:09:29.733	20RO4N	7SLEW DIS,POS,0.0	Stator movement	200	4	0	6,895,319:70:0	
665	3	8	00:16:29.733	20RO4O	7SLEW INIT,POS,4.36	Stator movement	200	4	0	6,895,326:63:0	
666	3	8	00:28:29.733	20RO4P	7SLEW DIS,POS,0.0	Stator movement	200	4	0	6,895,338:51:0	
667	3	8	00:35:29.733	20RO4Q	7SLEW INIT,NEG,4.36	Stator movement	200	4	0	6,895,345:44:0	
668	3	8	00:47:29.733	20RO4R	7SLEW DIS,POS,0.0	Stator movement	200	4	0	6,895,357:32:0	
669	3	8	00:59:29.733	20RO4AH	7MODE CRU	AACS CRUISE MODE	200	4	0	6,895,369:20:0	
670	3	8	01:14:59.733	488FX6B	6TMSED NORM,AL6	Sci, Eng, and D/L Chan	200	4	0	6,895,384:50:0	
671	3	8	01:19:29.733	176ZH6A	6TMREC RPB	RESUME PLAYBACK (PB CONTROL) Record Mode	200	4	0	6,895,389:00:0	
672	3	8	02:44:58.400	488FX6C	6TMSED FILL,AL6	Sci, Eng, and D/L Chan	200	4	0	6,895,473:49:0	
673	3	8	02:48:35.733	488FX6D	6TMSED FILL,AL4	Sci, Eng, and D/L Chan	200	4	0	6,895,477:11:0	
674	3	8	03:19:40.400	488FX6E	6TMSED NORM,AL4	Sci, Eng, and D/L Chan	200	4	0	6,895,507:78:0	
675	3	8	03:35:31.666	488FY6A	6TMSED NORM,AL5	Sci, Eng, and D/L Chan	200	4	0	6,895,523:49:0	
676	3	8	03:55:07.666	488FY6B	6TMSED FILL,AL5	Sci, Eng, and D/L Chan	200	4	0	6,895,542:84:0	
677	3	8	04:24:13.666	488FY6C	6TMSED NORM,AL5	Sci, Eng, and D/L Chan	200	4	0	6,895,571:64:0	
678	3	8	04:30:07.666	488FY6D	6TMSED FILL,AL5	Sci, Eng, and D/L Chan	200	4	0	6,895,577:49:0	
679	3	8	04:52:19.666	488FY6E	6TMSED FILL,AL6	Sci, Eng, and D/L Chan	200	4	0	6,895,599:45:0	
680	3	8	04:57:35.000	* 488FZ6A	6TMSED NORM,AL6	Sci, Eng, and D/L Chan	200	4	0	6,895,604:63:0	
681	3	8	08:29:13.000	488FZ6B	6TMSED FILL,AL6	Sci, Eng, and D/L Chan	200	4	0	6,895,814:00:0	
682	3	8	08:32:03.666	488FZ6C	6TMSED FILL,AL4	Sci, Eng, and D/L Chan	200	4	0	6,896,467:21:0	
683	3	8	19:29:42.333	488GA6A	6TMSED NORM,AL4	Sci, Eng, and D/L Chan	200	4	0	6,896,483:49:0	
684	3	8	19:46:11.666	488GA6B	6TMSED NORM,AL5	Sci, Eng, and D/L Chan	200	4	0	6,896,532:06:0	
685	3	8	20:35:15.666	488GA6C	6TMSED NORM,AL6	Sci, Eng, and D/L Chan	200	4	0	6,896,912:62:0	
686	3	9	03:00:06.333	488GB6A	6TMSED FILL,AL6	Sci, Eng, and D/L Chan	200	4	0	6,896,916:06:0	
687	3	9	03:03:31.666	488GB6B	6TMSED FILL,AL5	Sci, Eng, and D/L Chan	200	4	0	6,896,925:36:0	
688	3	9	03:12:57.666	488GB6C	6TMSED NORM,AL5	Sci, Eng, and D/L Chan	200	4	0	6,896,962:44:0	
689	3	9	03:50:27.666	488GB6D	6TMSED NORM,AL6	Sci, Eng, and D/L Chan	200	4	0	6,897,093:52:0	
690	3	9	06:03:00.333	488GB6E	6TMSED NORM,AH6	Sci, Eng, and D/L Chan	200	4	0	6,897,222:13:0	
691	3	9	08:13:00.333	488GC6A	6TMSED NORM,AL6	Sci, Eng, and D/L Chan	200	4	0	6,897,273:75:0	
692	3	9	09:05:15.666	488GC6B	6TMSED FILL,AL6	Sci, Eng, and D/L Chan	200	4	0	6,898,249:76:0	
693	3	10	01:32:06.933	488GD6A	6TMSED NORM,AL6	Sci, Eng, and D/L Chan	200	4	0	6,898,367:61:0	
694	3	10	03:31:15.600	488GD6B	6TMSED NORM,AL5	Sci, Eng, and D/L Chan	200	4	0	6,898,382:40:0	
695	3	10	03:46:11.600	488GD6C	6TMSED NORM,AL6	Sci, Eng, and D/L Chan	200	4	0	6,898,820:60:0	
696	3	10	11:09:16.933	488GE6A	6TMSED FILL,AL6	Sci, Eng, and D/L Chan	200	4	0	6,898,823:37:0	
697	3	10	11:12:03.600	488GE6B	6TMSED FILL,AL4	Sci, Eng, and D/L Chan	200	4	0	6,899,305:75:0	
698	3	10	19:19:50.266	488GF6A	6TMSED NORM,AL4	Sci, Eng, and D/L Chan	200	4	0	6,899,321:31:0	
699	3	10	19:35:31.600	488GF6B	6TMSED NORM,AL5	Sci, Eng, and D/L Chan	200	4	0	6,899,376:18:0	
700	3	10	20:30:59.600	488GF6C	6TMSED NORM,AL6	Sci, Eng, and D/L Chan	200	4	0	6,899,930:33:0	
701	3	11	05:51:18.866	488GG6A	6TMSED FILL,AL6	Sci, Eng, and D/L Chan	200	4	0	6,899,956:81:0	
702	3	11	06:18:08.200	488GG6B	6TMSED NORM,AL6	Sci, Eng, and D/L Chan	200	4	0	6,900,240:26:0	
703	3	11	11:04:40.866	488GG6C	6TMSED FILL,AL6	Sci, Eng, and D/L Chan	200	4	0	6,900,240:26:0	

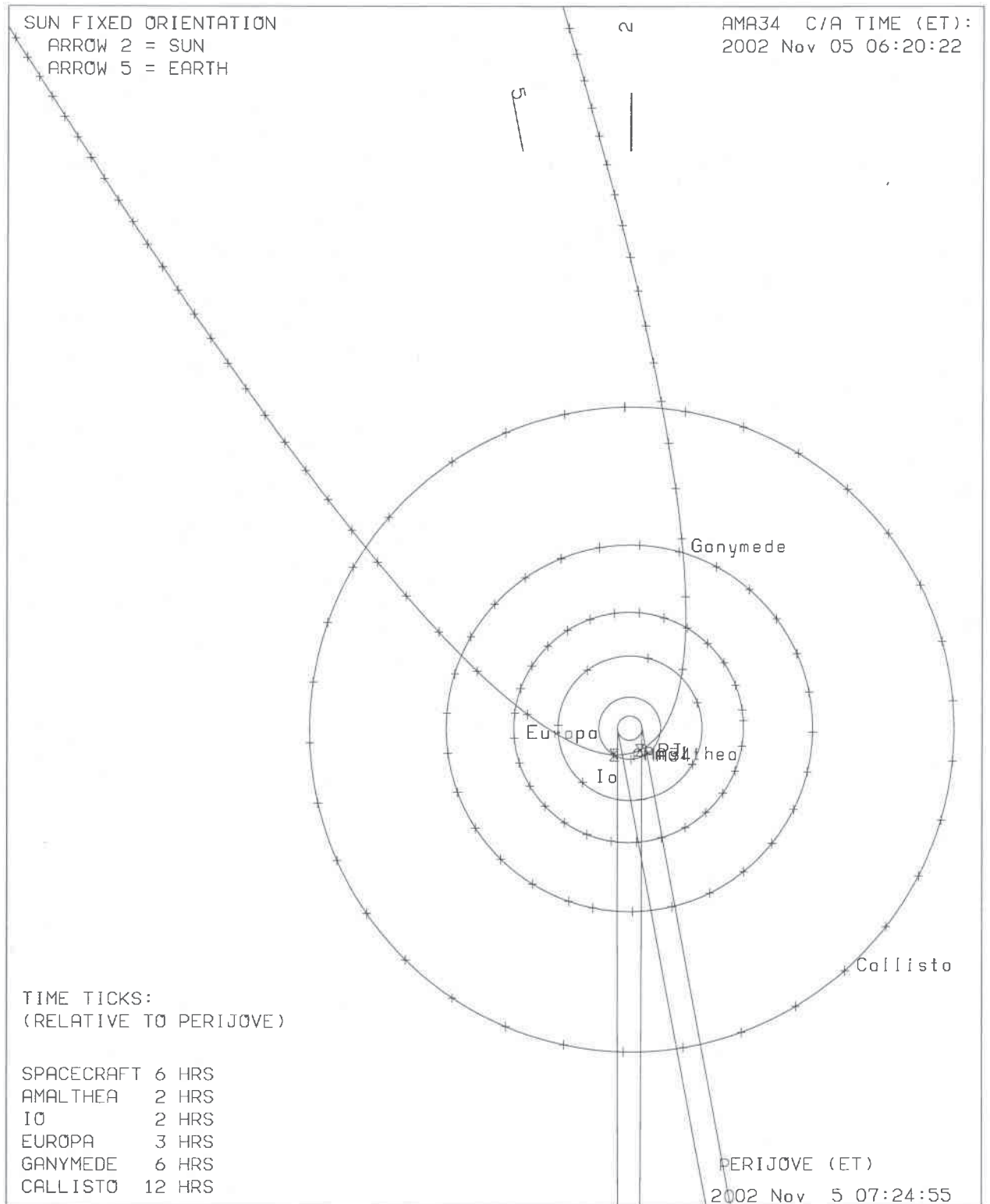
Line	YR	DOY	SCET - GMT	PSID	Command Parameters	Description	GCM	GO	GS	RIM	MF I
704	3	11	11:07:47.533	488GG6D	6TMSED FILL,AL4	Sci, Eng, and D/L Chan	200	4	0	6,900,243:33:0	
705	3	11	19:14:54.200	488GH6A	6TMSED NORM,AL4	Sci, Eng, and D/L Chan	200	4	0	6,900,725:11:0	
706	3	11	19:31:15.533	488GH6B	6TMSED NORM,AL5	Sci, Eng, and D/L Chan	200	4	0	6,900,741:27:0	
707	3	11	20:24:35.533	488GH6C	6TMSED NORM,AL6	Sci, Eng, and D/L Chan	200	4	0	6,900,794:04:0	
708	3	12	05:46:14.866	488GI6A	6TMSED FILL,AL6	Sci, Eng, and D/L Chan	200	4	0	6,901,349:48:0	
709	3	12	06:13:04.200	488GI6B	6TMSED NORM,AL6	Sci, Eng, and D/L Chan	200	4	0	6,901,376:05:0	
710	3	12	11:00:26.800	488GI6C	6TMSED FILL,AL6	Sci, Eng, and D/L Chan	200	4	0	6,901,660:25:0	
711	3	12	23:27:18.133	488GJ6A	6TMSED NORM,AL6	Sci, Eng, and D/L Chan	200	4	0	6,902,398:84:0	
712	3	13	03:23:00.133	488GJ6B	6TMSED NORM,AH6	Sci, Eng, and D/L Chan	200	4	0	6,902,632:03:0	
713	3	13	05:33:00.133	488GK6A	6TMSED NORM,AL6	Sci, Eng, and D/L Chan	200	4	0	6,902,760:55:0	
714	3	13	06:28:19.466	488GK6B	6TMSED NORM,AL5	Sci, Eng, and D/L Chan	200	4	0	6,902,815:29:0	
715	3	13	07:13:07.466	488GK6C	6TMSED NORM,AL6	Sci, Eng, and D/L Chan	200	4	0	6,902,859:57:0	
716	3	13	08:26:10.800	488GK6D	6TMSED FILL,AL6	Sci, Eng, and D/L Chan	200	4	0	6,902,931:80:0	
717	3	13	08:53:00.133	488GK6E	6TMSED NORM,AL6	Sci, Eng, and D/L Chan	200	4	0	6,902,958:37:0	
718	3	13	13:13:39.466	488GL6A	6TMSED NORM,AL5	Sci, Eng, and D/L Chan	200	4	0	6,903,216:18:0	
719	3	13	14:32:35.466	488GL6B	6TMSED NORM,AL4	Sci, Eng, and D/L Chan	200	4	0	6,903,294:24:0	
720	3	13	14:56:21.466	488GL6C	6TMSED FILL,AL4	Sci, Eng, and D/L Chan	200	4	0	6,903,317:70:0	
721	3	13	19:20:01.466	488GM6A	6TMSED NORM,AL4	Sci, Eng, and D/L Chan	200	4	0	6,903,578:49:0	
722	3	13	19:50:27.400	488GM6B	6TMSED NORM,AL5	Sci, Eng, and D/L Chan	200	4	0	6,903,608:58:0	
723	3	13	20:29:46.733	488GM6C	6TMSED FILL,AL5	Sci, Eng, and D/L Chan	200	4	0	6,903,647:48:0	
724	3	13	20:58:52.733	488GM6D	6TMSED NORM,AL5	Sci, Eng, and D/L Chan	200	4	0	6,903,676:28:0	
725	3	13	22:04:51.400	488GM6E	6TMSED NORM,AL6	Sci, Eng, and D/L Chan	200	4	0	6,903,741:51:0	
726	3	14	02:37:55.400	488GN6A	6TMSED NORM,AL4	Sci, Eng, and D/L Chan	200	4	0	6,904,011:57:0	
727	3	14	03:09:55.400	488GN6B	6TMSED NORM,AL5	Sci, Eng, and D/L Chan	200	4	0	6,904,043:25:0	
728	3	14	03:54:45.400	488GN6C	6TMSED FILL,AL5	Sci, Eng, and D/L Chan	200	4	0	6,904,087:56:0	
729	3	14	04:28:51.400	488GN6D	6TMSED NORM,AL5	Sci, Eng, and D/L Chan	200	4	0	6,904,121:31:0	
730	3	14	04:30:59.400	488GN6E	6TMSED NORM,AL6	Sci, Eng, and D/L Chan	200	4	0	6,904,123:41:0	
731	3	14	10:41:36.733	176ZZ6A	6TMREC TPB	TERMINATE PLAYBACK (PB CONTROL) Record Mo	200	4	0	6,904,490:00:0	
732	3	14	10:59:54.733	488GO6A	6TMSED FILL,AL6	Sci, Eng, and D/L Chan	200	4	0	6,904,508:09:0	
733	3	14	11:03:31.400	488GO6B	6TMSED FILL,AL2	Sci, Eng, and D/L Chan	200	4	0	6,904,511:61:0	
734	3	14	19:35:24.733	488GP6A	6TMSED NORM,AL2	Sci, Eng, and D/L Chan	200	4	0	6,905,017:85:0	
735	3	14	20:23:32.066	488GP6B	6TMSED FILL,AL2	Sci, Eng, and D/L Chan	200	4	0	6,905,065:48:0	
736	3	14	20:26:43.400	488GP6C	6TMSED FILL,AL3	Sci, Eng, and D/L Chan	200	4	0	6,905,068:62:0	
737	3	14	21:01:55.400	488GP6D	6TMSED NORM,AL3	Sci, Eng, and D/L Chan	200	4	0	6,905,103:45:0	
738	3	14	22:16:20.066	20UL4B	7SAFE UNSTOW	S/P TO 153 deg cone	200	4	0	6,905,177:08:0	
739	3	14	22:35:20.066	20UL4D	7MODE INT	AACS INERTIAL MODE	200	4	0	6,905,195:80:0	
740	3	15	01:23:00.066	488GP6E	6TMSED NORM,AH3	Sci, Eng, and D/L Chan	200	4	0	6,905,361:64:0	
741	3	15	01:36:00.066	20RB4C	7STAT 5.00,338.395,-13	Stator inertial point	200	4	0	6,905,374:51:0	
742	3	15	01:36:12.066	20RB6D	6MROH 7.6744,0,A10	read from AACSA7,6744,0,A10	200	4	0	6,905,374:69:0	
743	3	15	01:55:02.066	490UB412A4B	7MODE INT	AACS INERTIAL MODE	200	4	0	6,905,393:35:0	
744	3	15	02:00:00.066	490UB412A4D	7SAFE UNSTOW	S/P TO 153 deg cone	200	4	0	6,905,398:27:0	
745	3	15	02:00:20.066	20RB4D	7STAT 17.45,338.395,-1	Stator inertial point	200	4	0	6,905,398:57:0	
746	3	15	02:04:10.066	490UB412A4E	7VECT	Inert vect update UTC	200	4	0	6,905,402:38:0	
747	3	15	02:04:14.066	490UB412A4F	7TURIN 2,RTH	ALERT Thruster	200	4	0	6,905,402:44:0	
748	3	15	02:08:02.066	490UB412A406A4A	7STAR 11,445,278.81	Star catalog update	200	4	0	6,905,406:22:0	
749	3	15	02:08:04.066	490UB412A406A4B	7STAR 2,151,256.88	Star catalog update	200	4	0	6,905,406:25:0	
750	3	15	02:08:06.066	490UB412A406A4C	7STAR 3,192,263.15	Star catalog update	200	4	0	6,905,406:28:0	

Line	YR	DOY	SCET - GMT	PSID	Command Parameters	Description	GCM	GO	GS	RIM	MF I
751	3	15	02:08:08.066	490UB412A406A4D	7STAR 4,0,0,0,0.0	Star catalog update	200	4	0	6,905,406:31:0	
752	3	15	02:08:10.066	490UB412A406A4E	7STAR 5,0,0,0,0.0	Star catalog update	200	4	0	6,905,406:34:0	
753	3	15	02:08:12.066	490UB412A406A4F	7STAR 6,0,0,0,0.0	Star catalog update	200	4	0	6,905,406:37:0	
754	3	15	02:24:06.066	20RB4F	DIS,POS,0.0	Stator movement	200	4	0	6,905,422:12:0	
755	3	15	02:32:10.066	490UB412A4G	CRU	AACS CRUISE MODE	200	4	0	6,905,430:10:0	
756	3	15	02:48:35.400	488GQ6A	NORM,AH2	Sci, Eng, and D/L Chan	200	4	0	6,905,446:32:0	
757	3	15	03:31:15.400	488GQ6B	NORM,AH3	Sci, Eng, and D/L Chan	200	4	0	6,905,488:50:0	
758	3	15	03:40:00.066	20UD4A	RTH	Inert vect update UTC	200	4	0	6,905,497:18:0	
759	3	15	03:44:51.400	488GQ6C	FILL,AH3	Sci, Eng, and D/L Chan	200	4	0	6,905,502:00:0	
760	3	15	04:26:55.400	488GQ6D	NORM,AH3	Sci, Eng, and D/L Chan	200	4	0	6,905,543:55:0	
761	3	15	05:05:07.400	488GQ6E	NORM,AH2	Sci, Eng, and D/L Chan	200	4	0	6,905,581:35:0	
762	3	15	08:59:17.333	432JC6B	6RTDS2	NIMDSL,AACNCG,RT	200	4	0	6,905,812:89:0	
763	3	15	08:59:18.000	432JC6A	6RCDL	DDDSL,PLSDSL,EP	200	4	0	6,905,812:90:0	
764	3	15	08:59:18.666	432JC6D	6RTSL2	NIMNCG,AACSEL,RT	200	4	0	6,905,813:00:0	
765	3	15	08:59:18.666	432JC6C	6RTSL1	AACS SELECT	200	4	0	6,905,813:00:0	
766	3	15	10:30:00.000		DMS: : READY	R/T Select of DDS and	200	4	0	6,905,902:63:0	
767	3	15	10:30:00.000	20A3FF	40T2R	RDY, TRACK 1, FWD, TIC 5154.63 +/-	200	4	0	6,905,902:63:0	
768	3	15	10:30:00.000	20A3FE	40T1PR	PCT Heater 2 OFF	200	4	0	6,905,902:63:0	
769	3	15	10:30:00.000	20A3FD	40HRPR	PCT Heater 1 OFF (primary relay)	200	4	0	6,905,902:63:0	
770	3	15	10:30:00.000	20A3FB	37F2PR	RCT Heater OFF (primary relay)	200	4	0	6,905,902:63:0	
771	3	15	10:30:00.000	20A3FA	37F1PR	Shield Flash Heater OFF (primary relay)	200	4	0	6,905,902:63:0	
772	3	15	10:30:00.000	20A3EZ	37C2PR	Radiator Flash Heater OFF (primary relay)	200	4	0	6,905,902:63:0	
773	3	15	10:30:00.000	20A3EY	37C1PR	Optics Heater 2 OFF (primary relay)	200	4	0	6,905,902:63:0	
774	3	15	10:30:00.000	20A3EX	37HR	Optics Heater 1 OFF (primary relay)	200	4	0	6,905,902:63:0	
775	3	15	10:30:00.000	20A3EW	37A	Replacement Heaters OFF	200	4	0	6,905,902:63:0	
						NIMS Power ON	200	4	0	6,905,902:63:0	

Jupiter 34: North Traj Pole View (Amalthea 34 Apo to Apo)



JUPITER 34: N. TRAJ. POLE VIEW (+/- 5 DAYS)



SUN FIXED ORIENTATION
 ARROW 2 = SUN
 ARROW 5 = EARTH

AMA34 C/A TIME (ET):
 2002 Nov 05 06:20:22

TIME TICKS:
 (RELATIVE TO PERIJOVE)

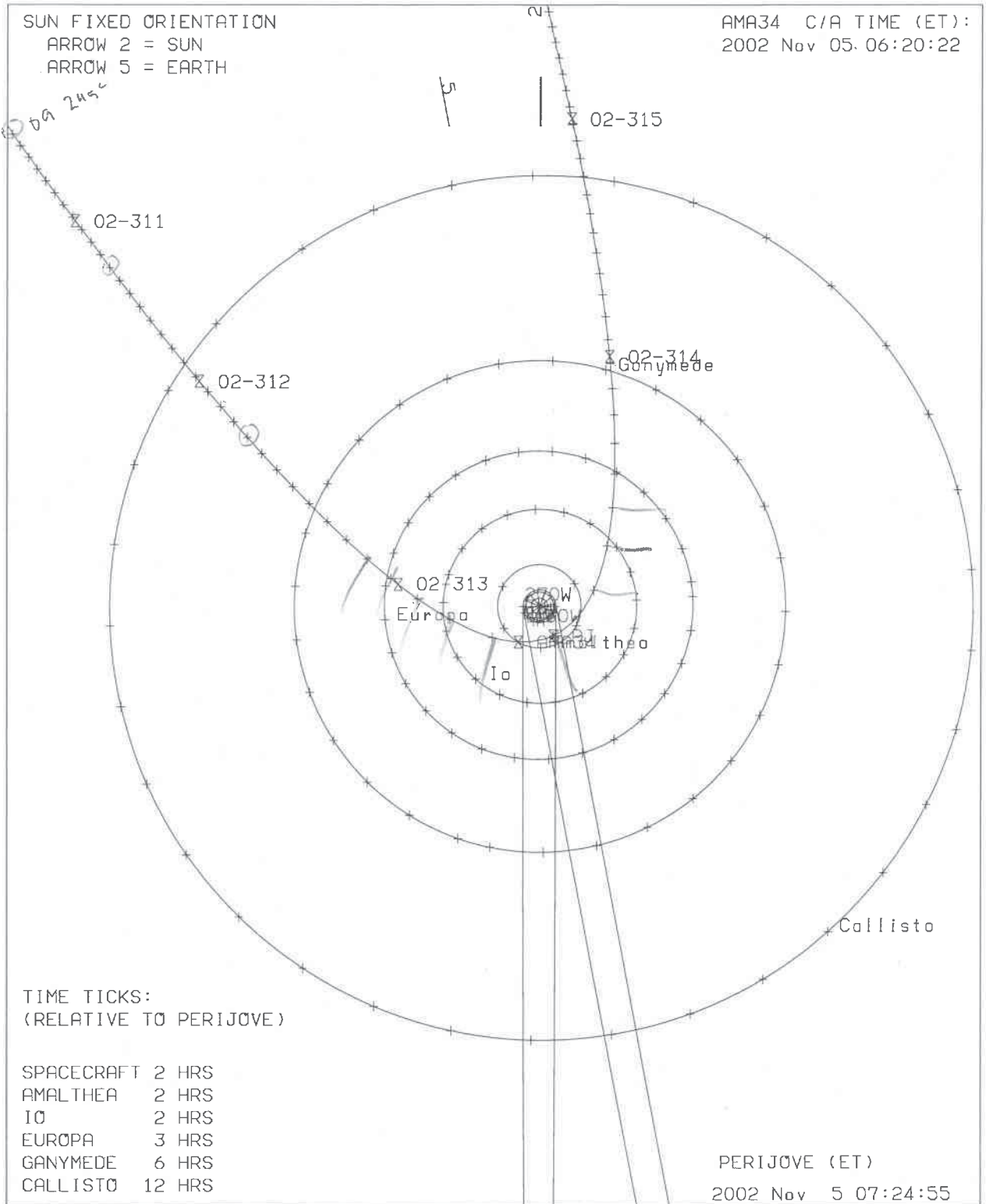
- SPACECRAFT 6 HRS
- AMALTHEA 2 HRS
- IO 2 HRS
- EUROPA 3 HRS
- GANYMEDE 6 HRS
- CALLISTO 12 HRS

PERIJOVE (ET)
 2002 Nov 5 07:24:55

GMM-000615

NAV Jul 10, 2000

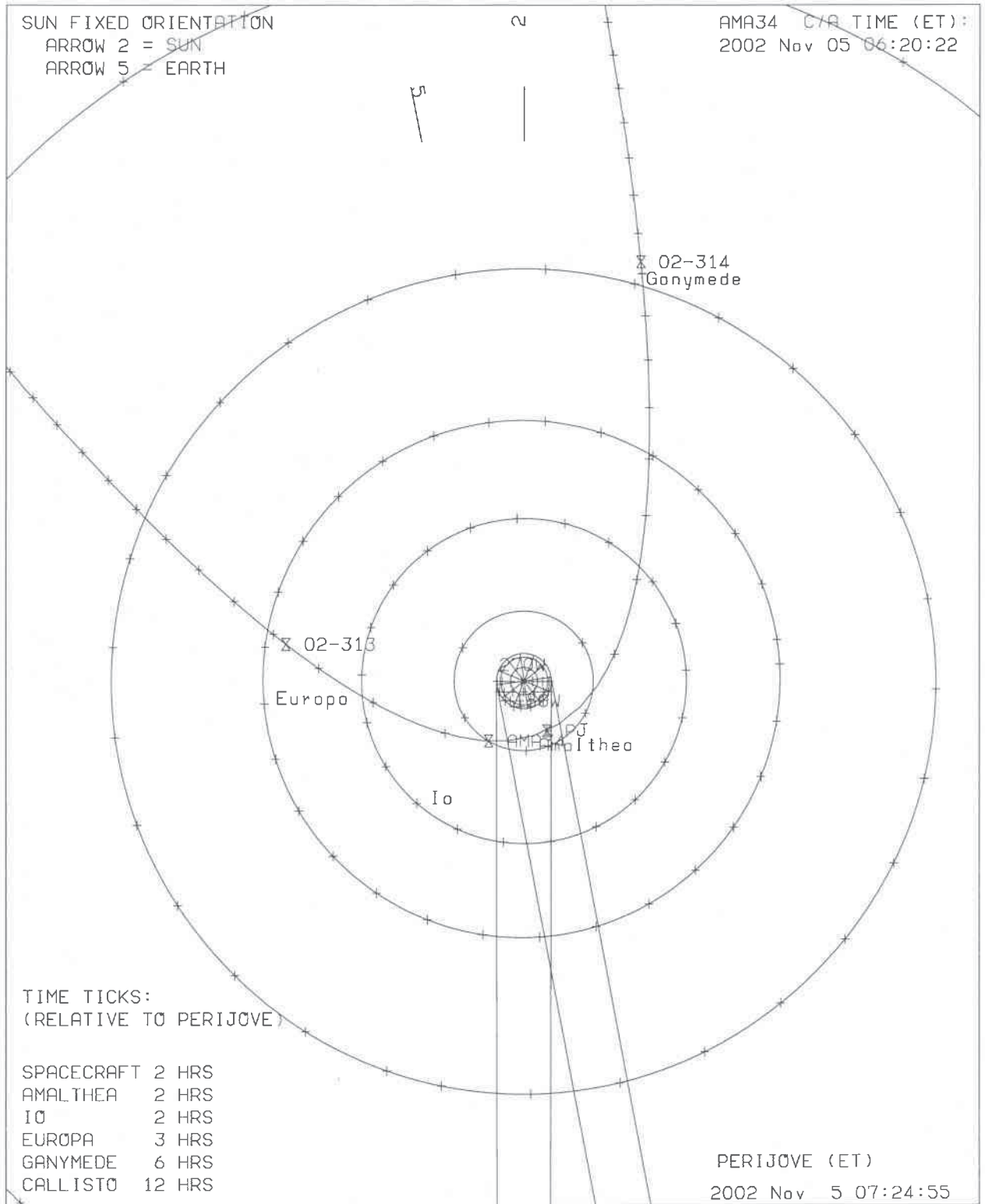
JUPITER 34: N. TRAJ. POLE VIEW (+/- 2 DAYS)



GMM-000615

NAV Jul 10, 2000

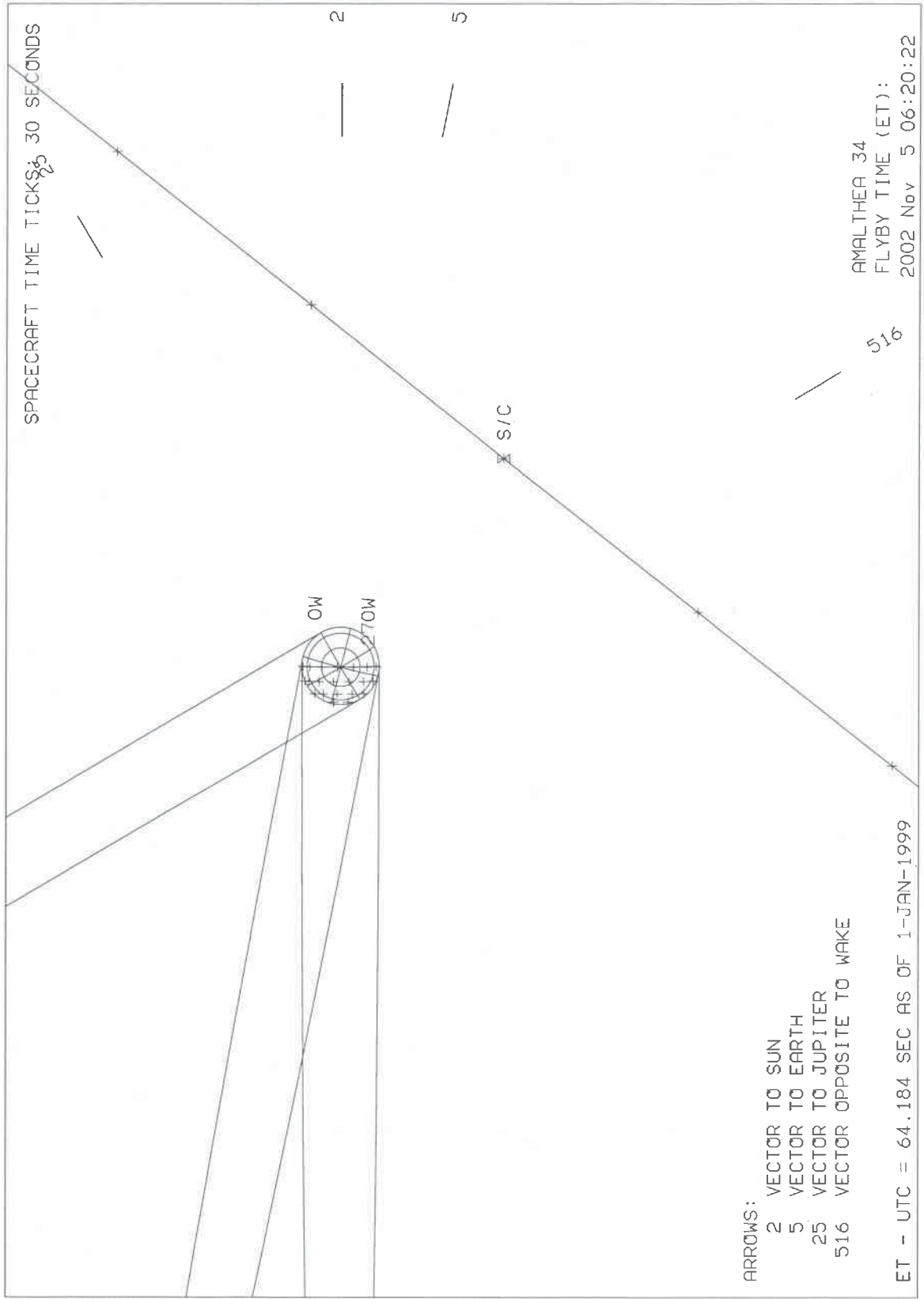
JUPITER 34: N. TRAJ. POLE VIEW (+/- 1 DAY)



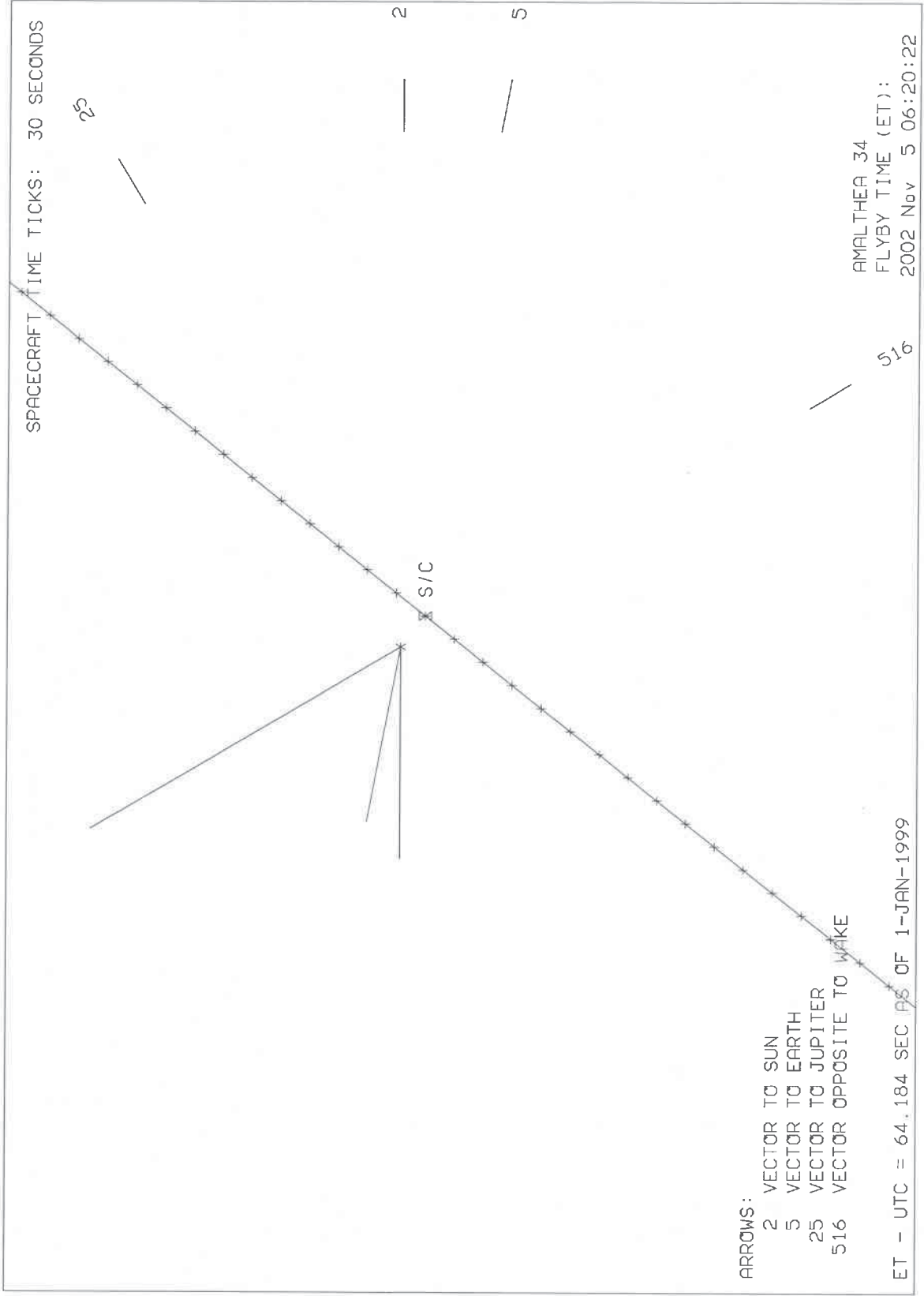
GMM-000615

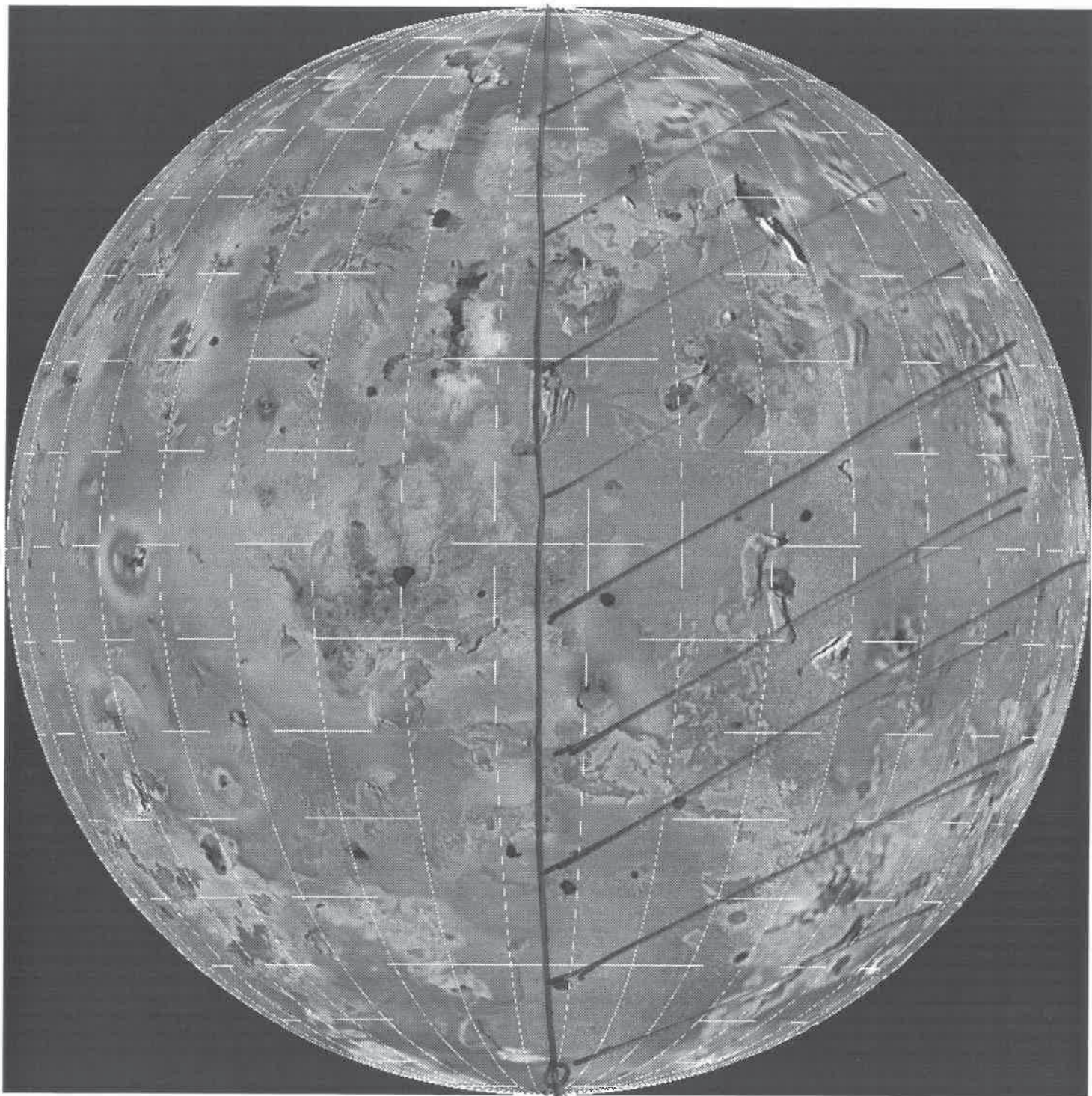
NAV Jul 10, 2000

AMALTHEA 34: N. TRAJ POLE VIEW (+/- 1 MIN)



AMALTHEA 34: N. TRAJ POLE VIEW (+/- 7 MIN)



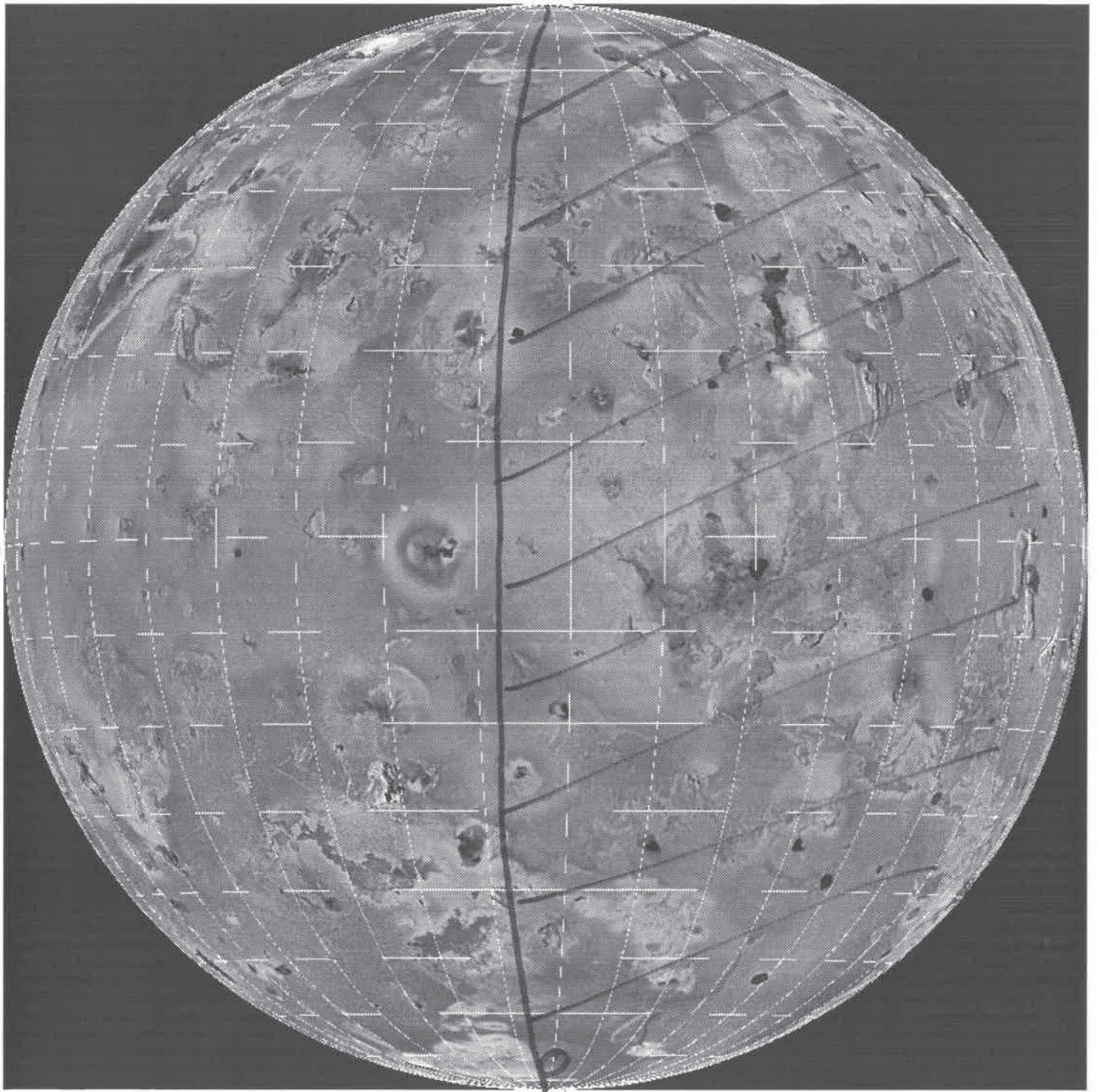


100°

C/A - 10hr

8.3 km/pixel

99° cone

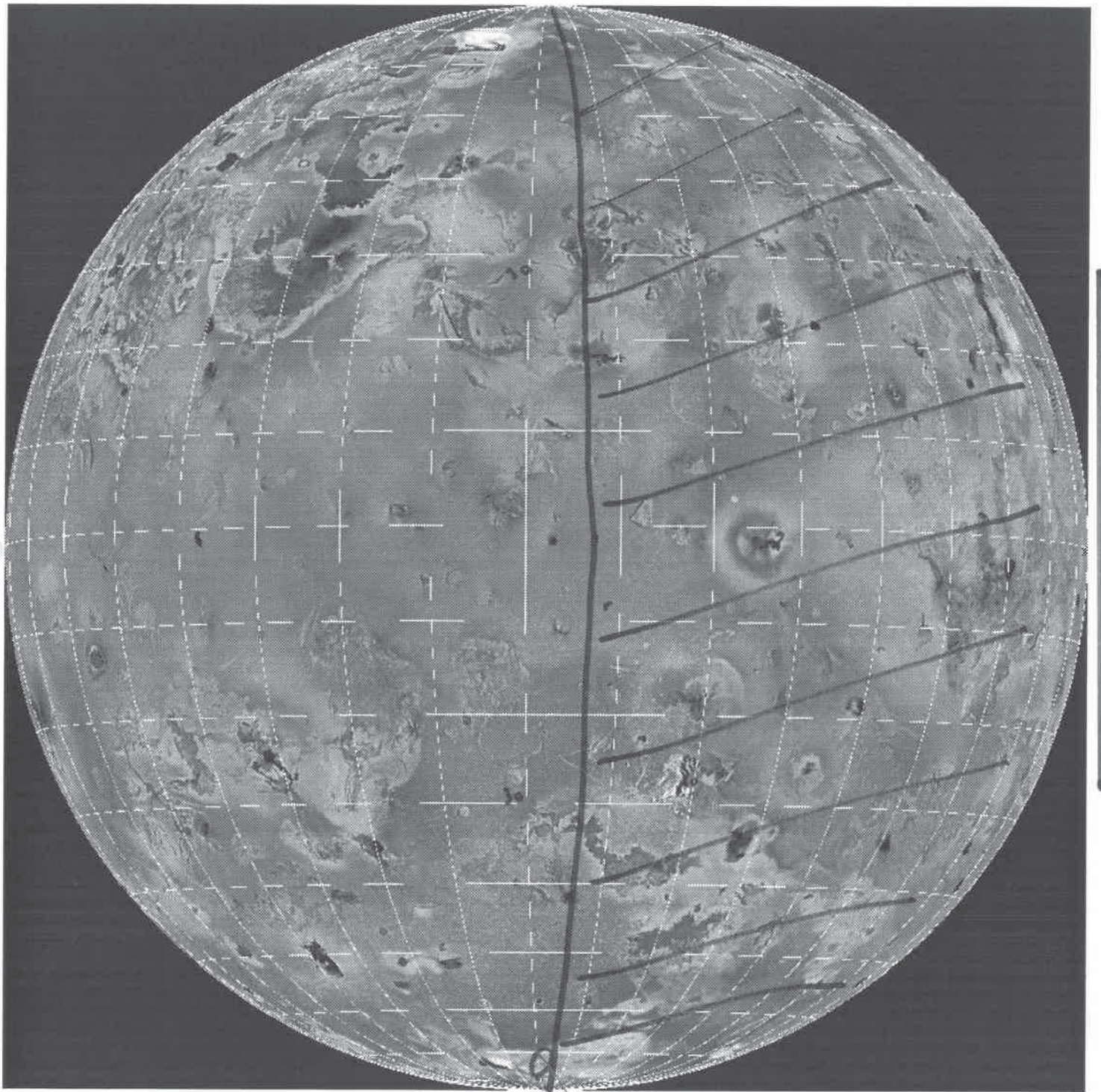


140

C/A - 5 hr

3.7 km/px

95° cone

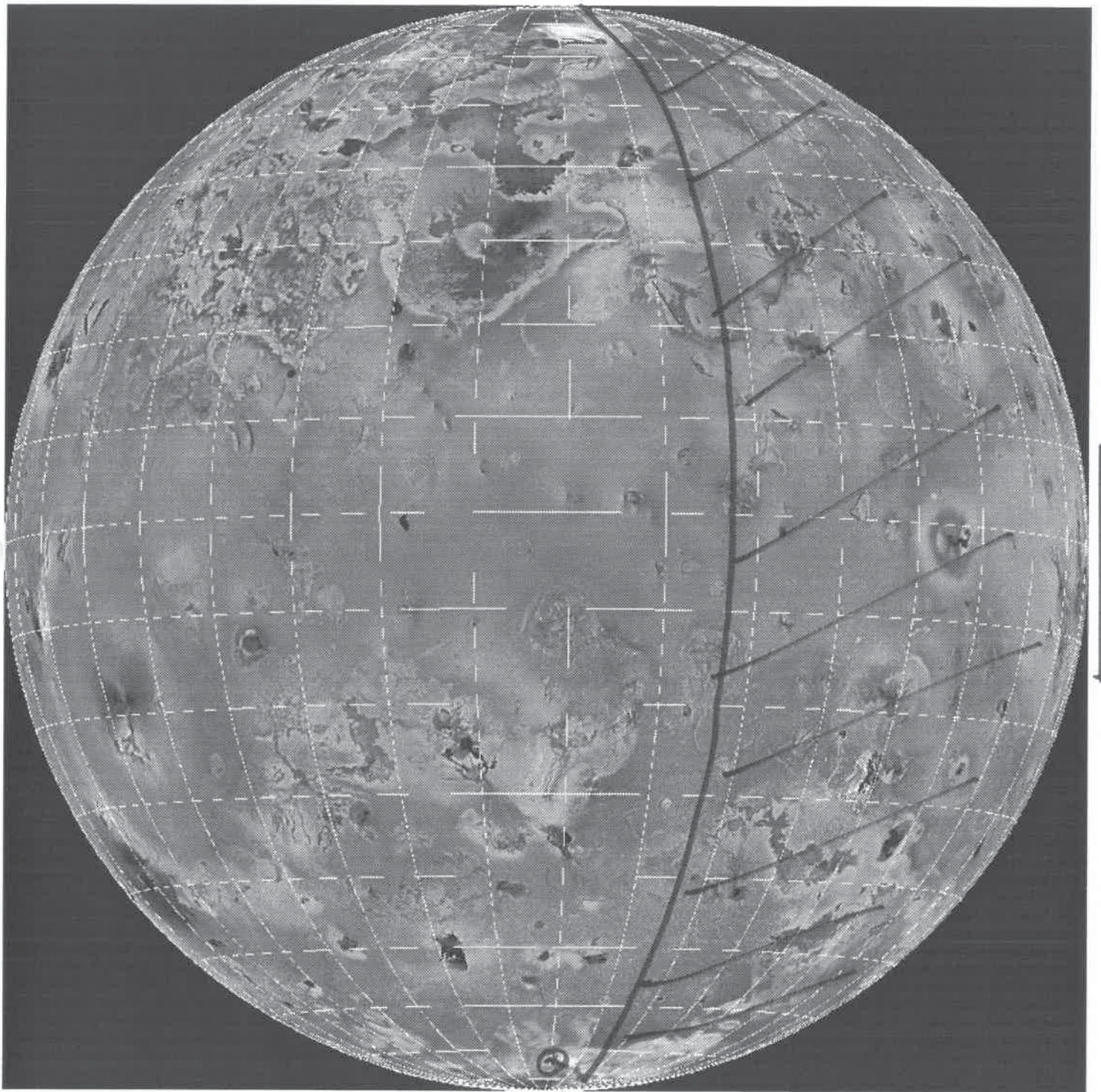


180°

C/A - 2 hr

1.4 km/pixel

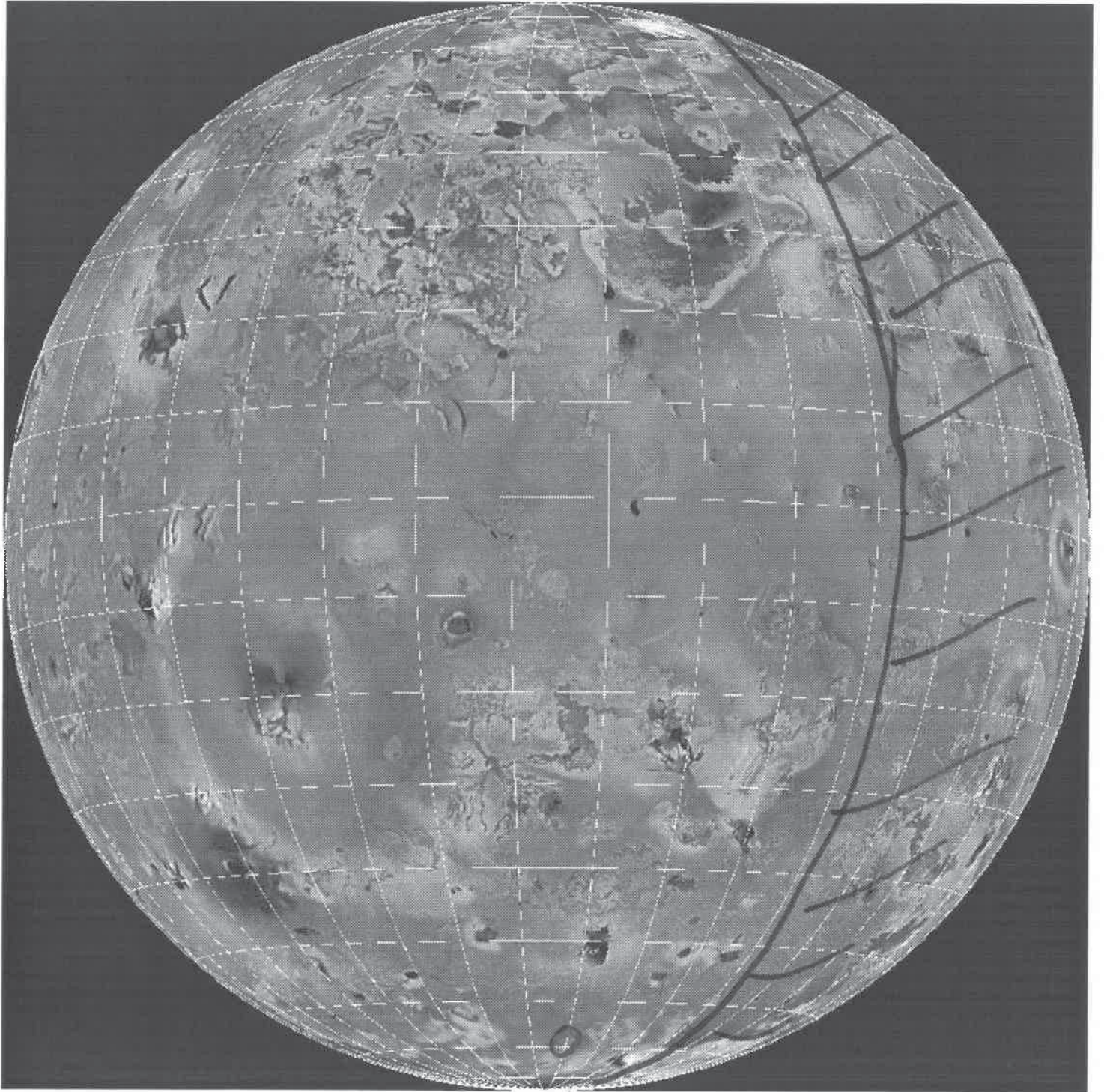
104° cone



200°
C/A - 1hr

0.79 cm/pixel

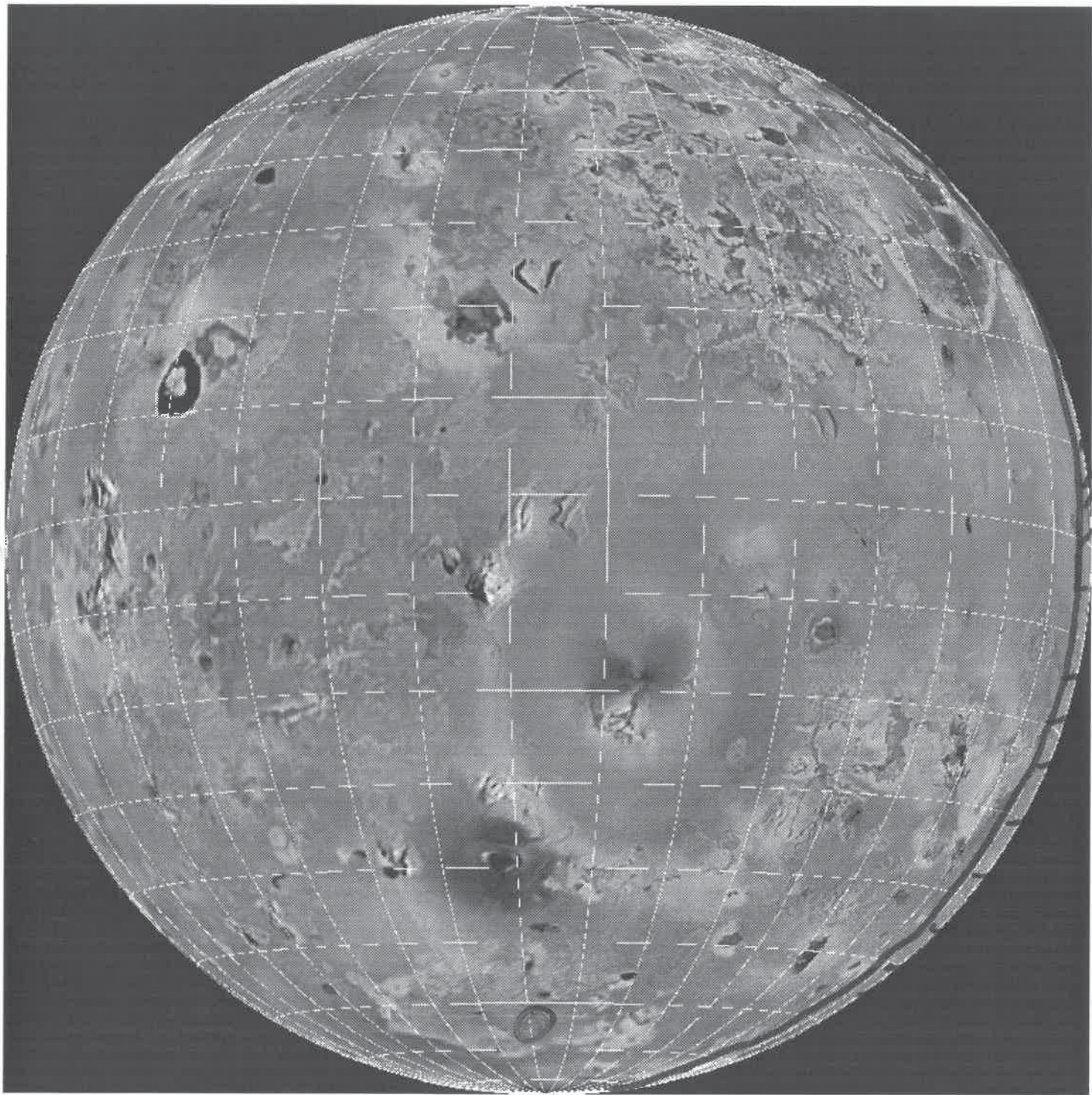
120° corre



270°

CA - 30 min

.55 km/pixel



173°

C/A

0.45 km/pixel

173° coord

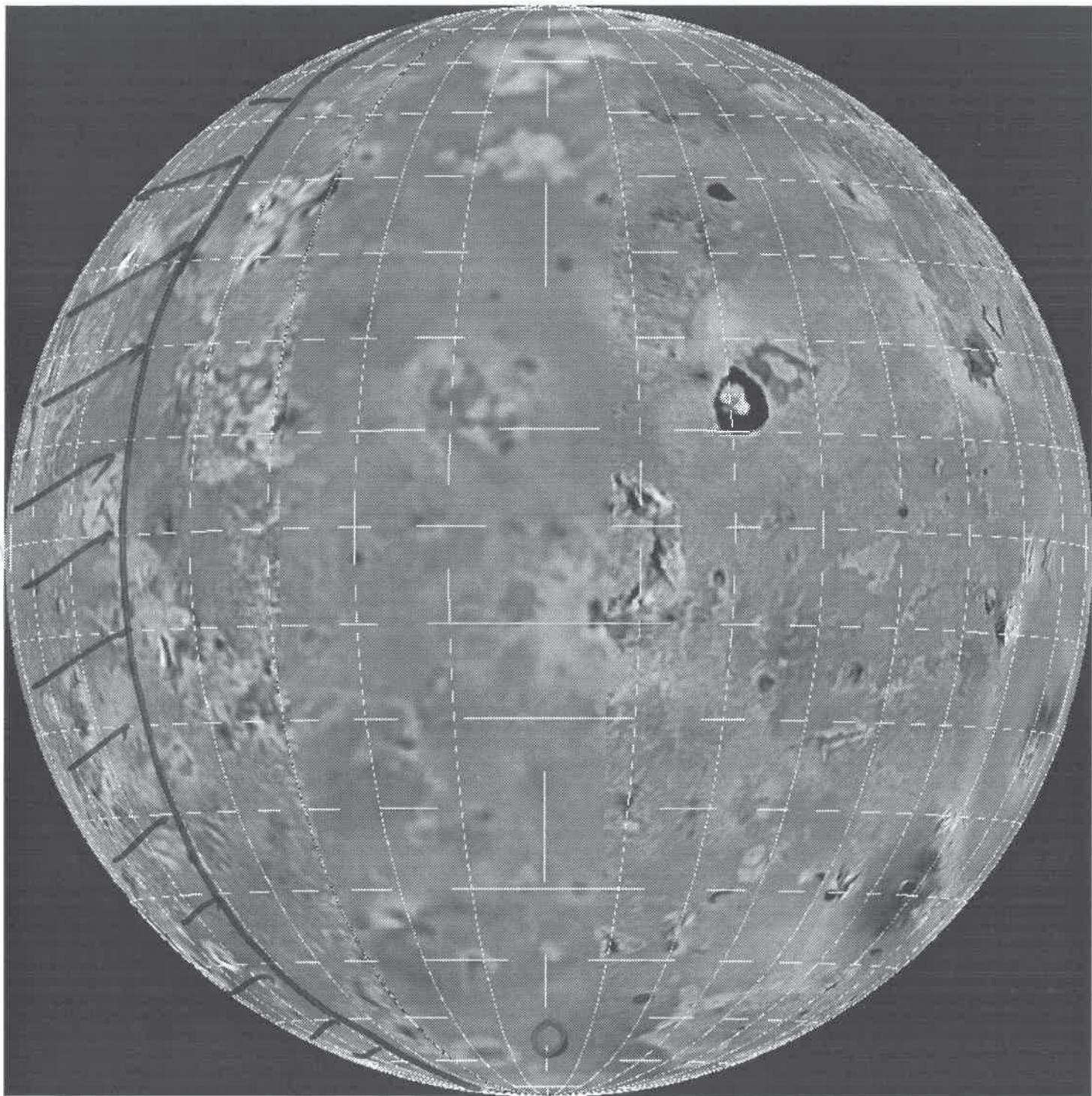




310

C/A + 30 min

0,55 km/pixel

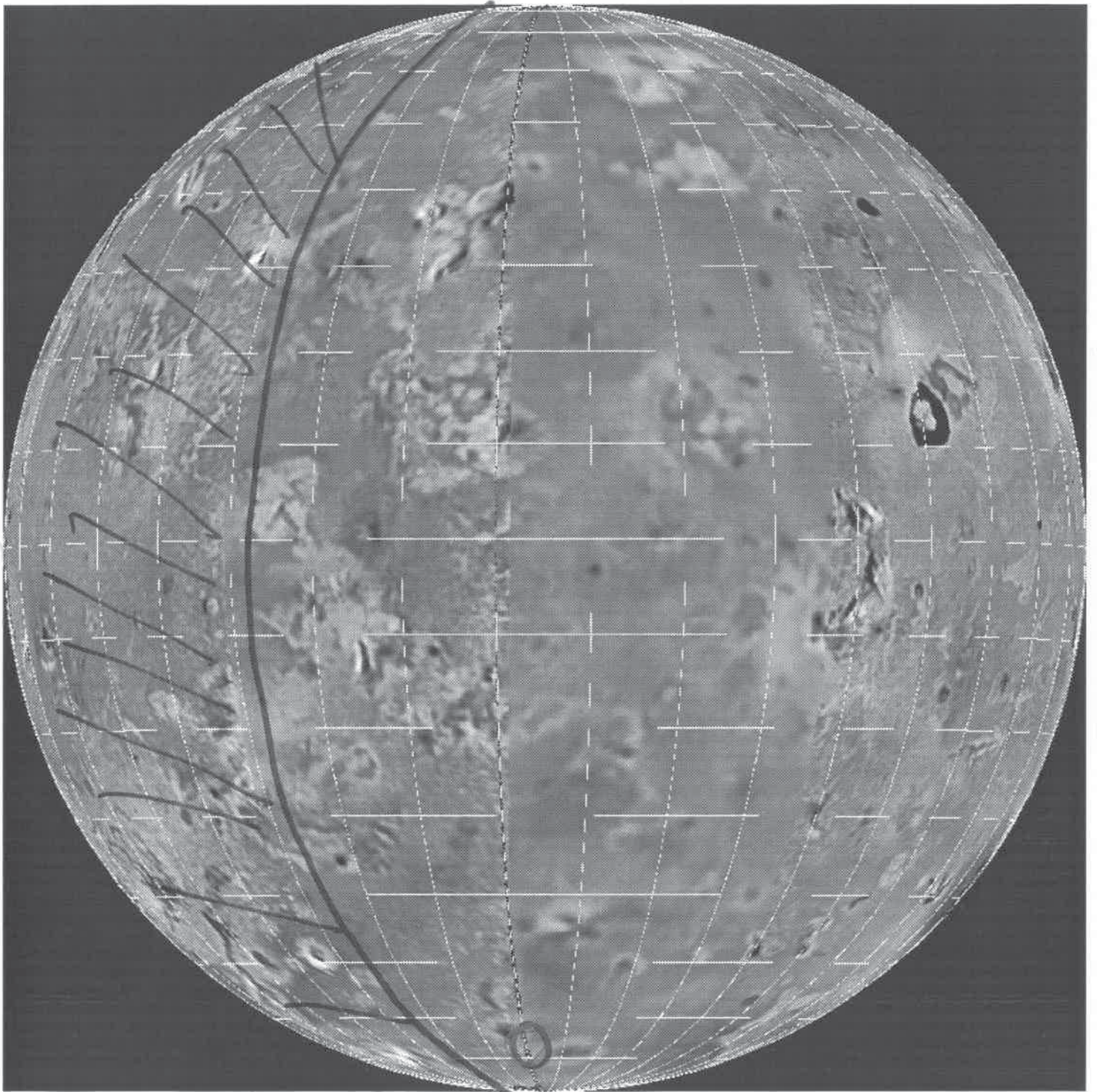


330°

C/A + 1 hr

0.78 km/pixel

129° cone

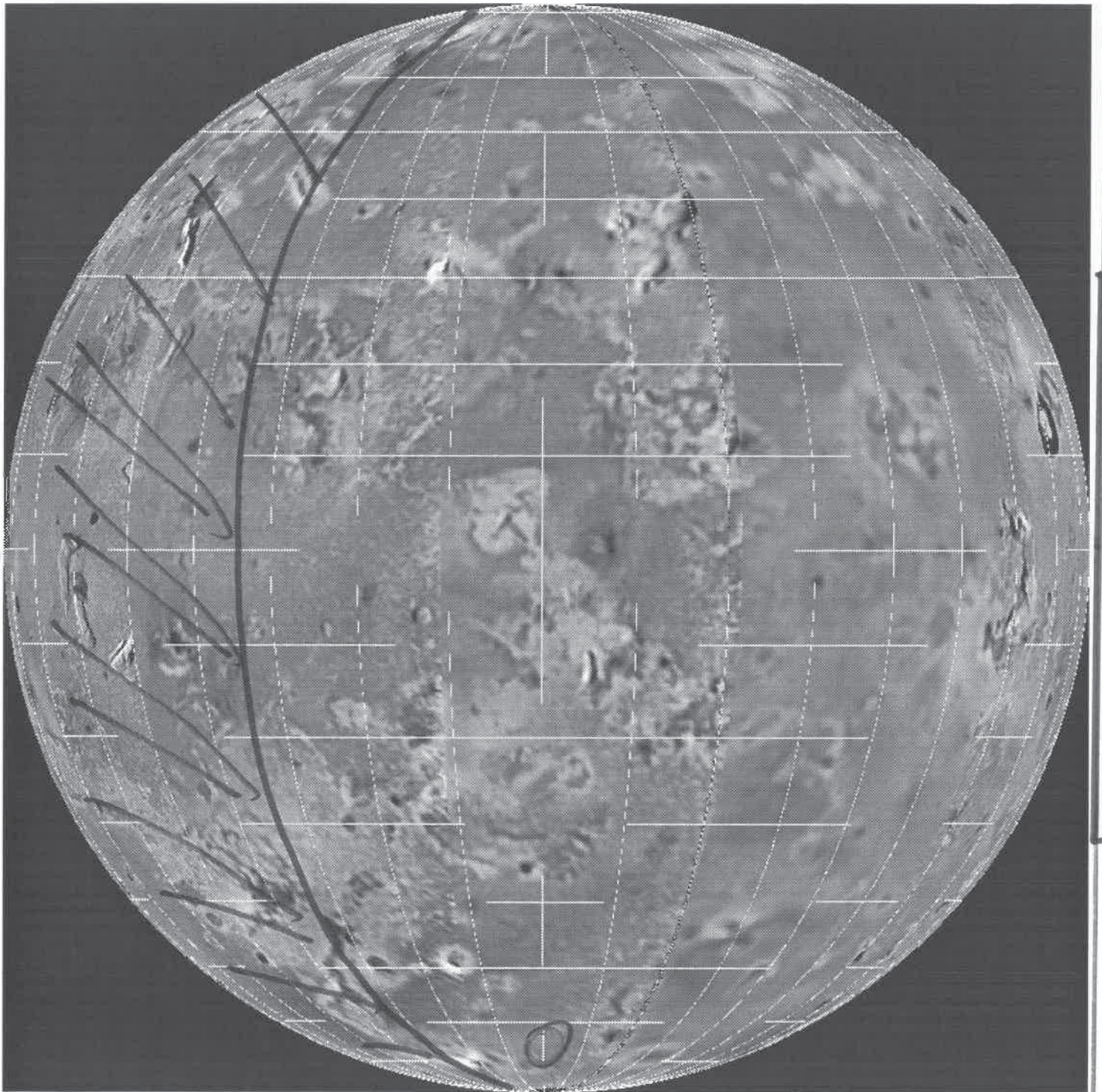


360

CIA + 2hr

1.4 km/pixel

112° cone

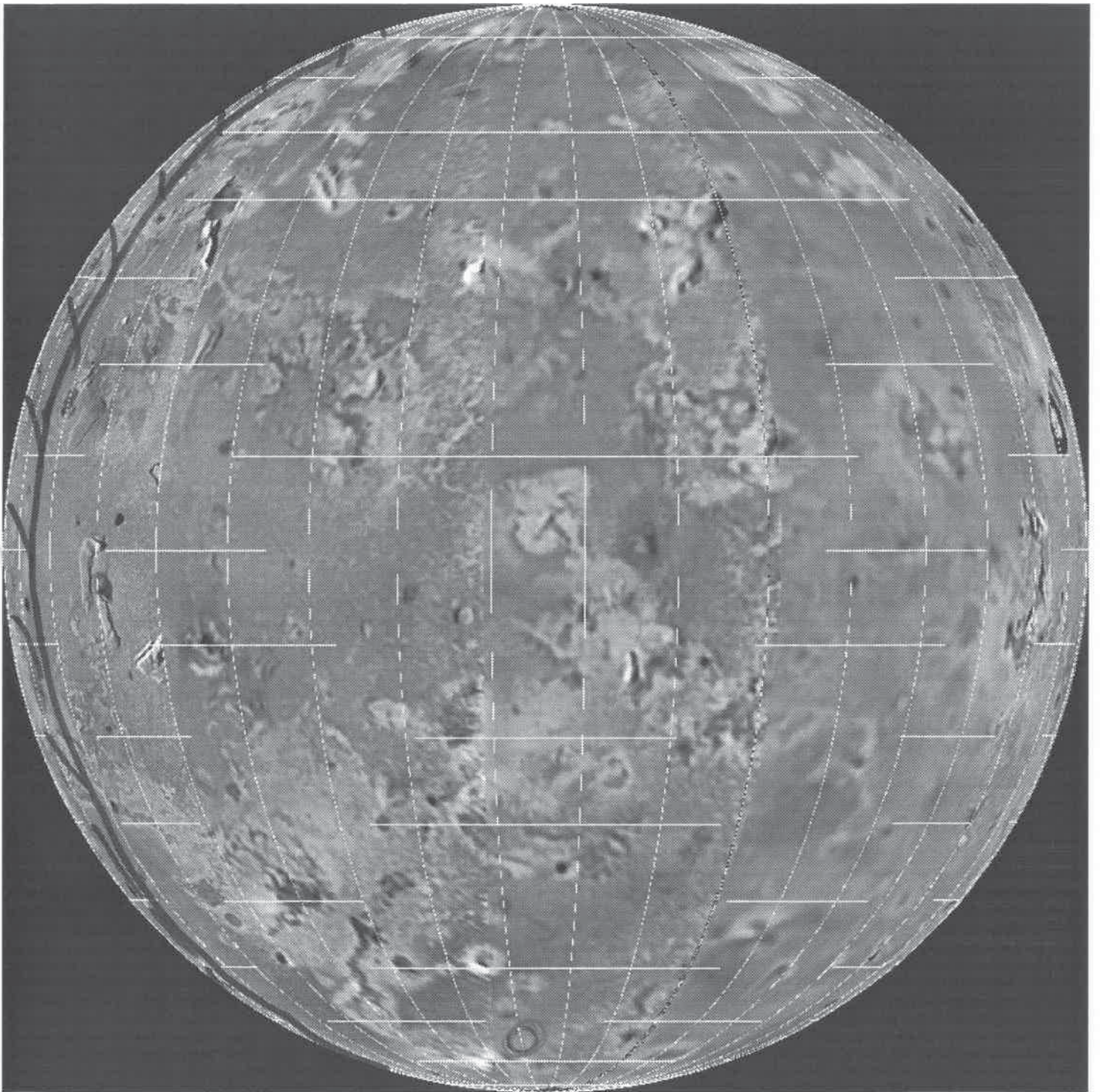


20°

CIA + 5hr

4.6 km/pixel

113° cone



30°

C/A + 10hr

8.6 km/pixel

150° cone

SPEEDY::FLEADER

JOB 192

IO-34-TB

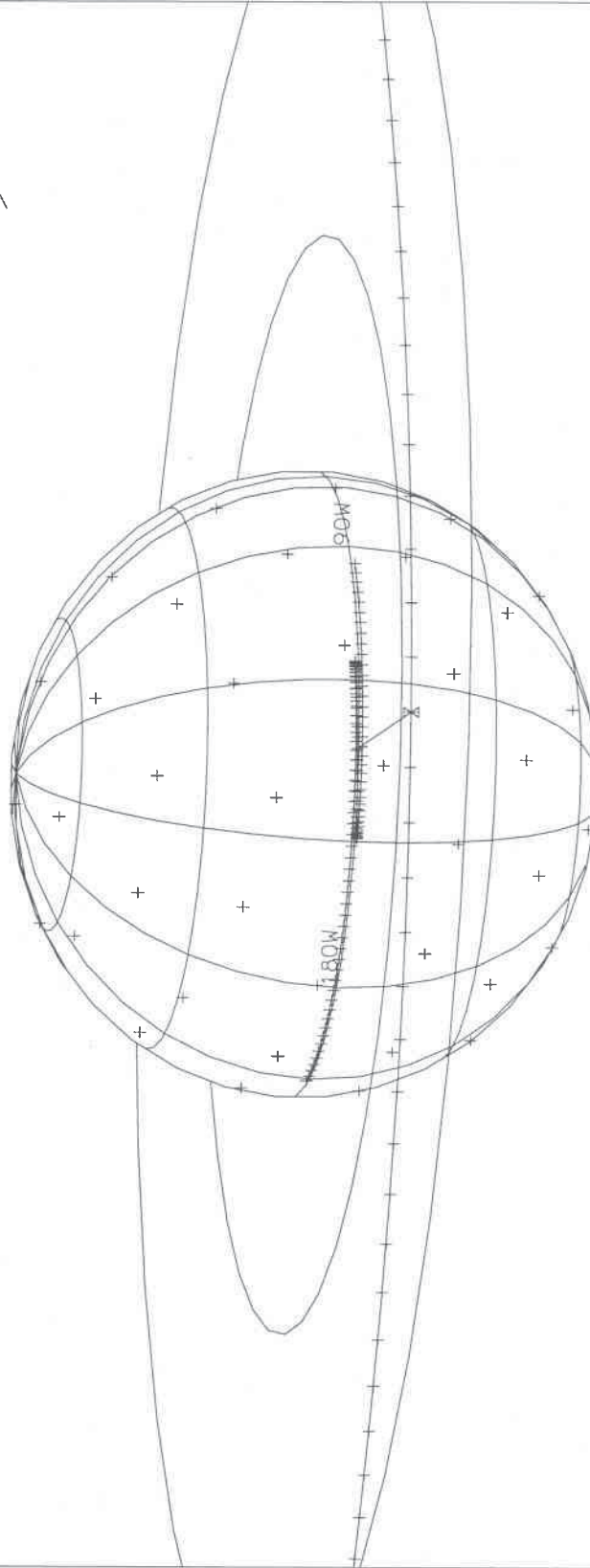
Owner UIC: [NIMS,FLEADER]
Account: NIMS

Priority: 100
Submit queue: LPS_183415
Submitted: 7-FEB-2001 14:20
Printer queue: LPS_183415
Printer device: "DECNET/WORDY"
Started: 7-FEB-2001 14:25

JUPITER 34: GROUNDTRACK AT CLOSEST APPROACH

ARROW 2 = SUN
 ARROW 5 = EARTH
 ARROW 13 = ECLIPTIC NORTH POLE
 ARROW 16 = JUPITER NORTH POLE

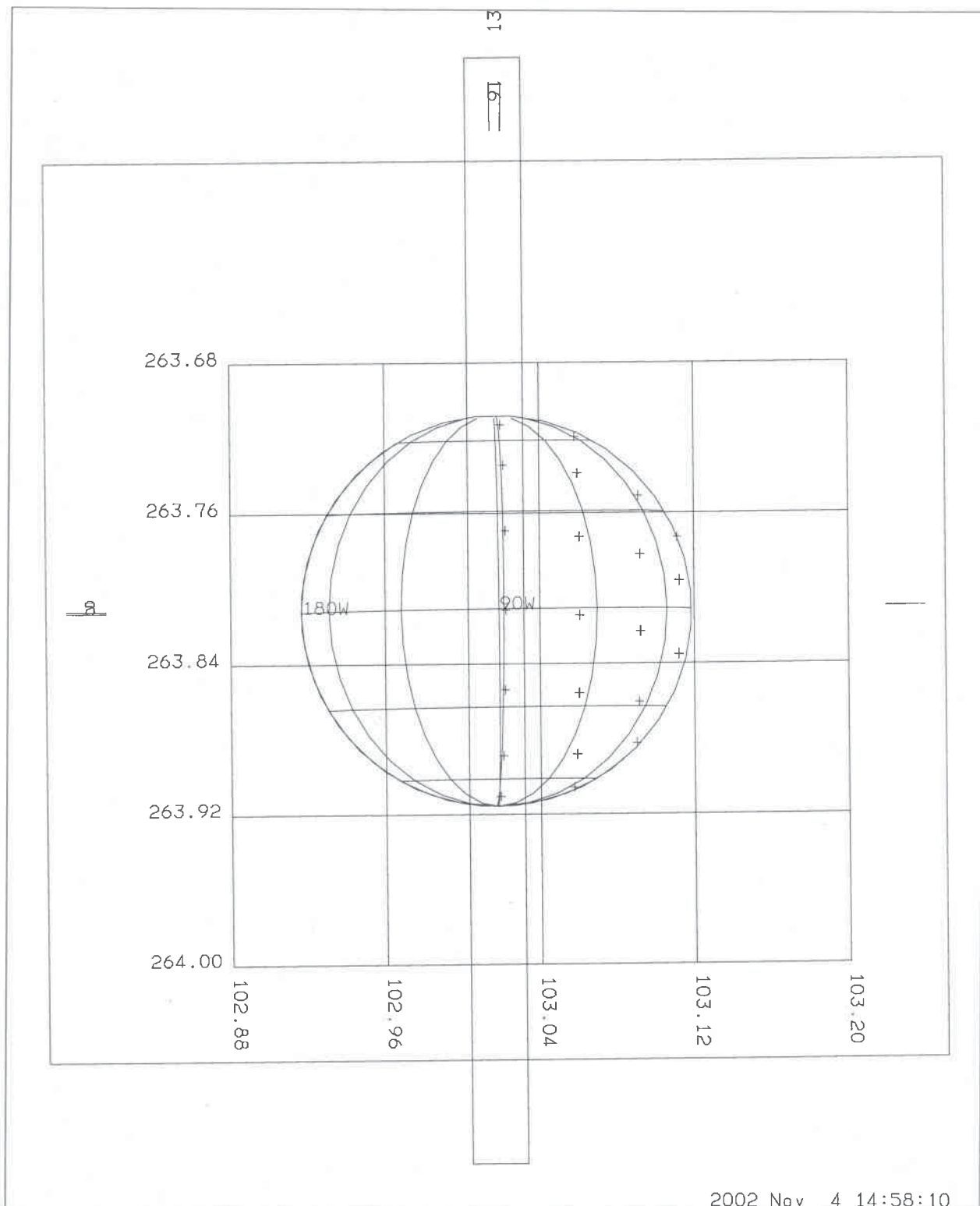
|| /
 / 2



SIGNIFICANT EVENTS:
 AMALTHEA FLYBY (A34): 05-NOV-2002 06:20:22.0000 ET
 IO FLYBY (I34A): 05-NOV-2002 02:58:09.5896 ET
 PERIJOVE (PJ34): 05-NOV-2002 07:24:54.5327 ET
 RINGS: 1.76 and 3.0 R_J
 SPACECRAFT TIME TICKS EVERY 5 MINUTES
 ET - UTC = 64.184 SEC AS OF 17-APR-2000

PJ34 TIME (ET):
 2002 Nov 5 07:24:55
 NAV Jun 28, 2000

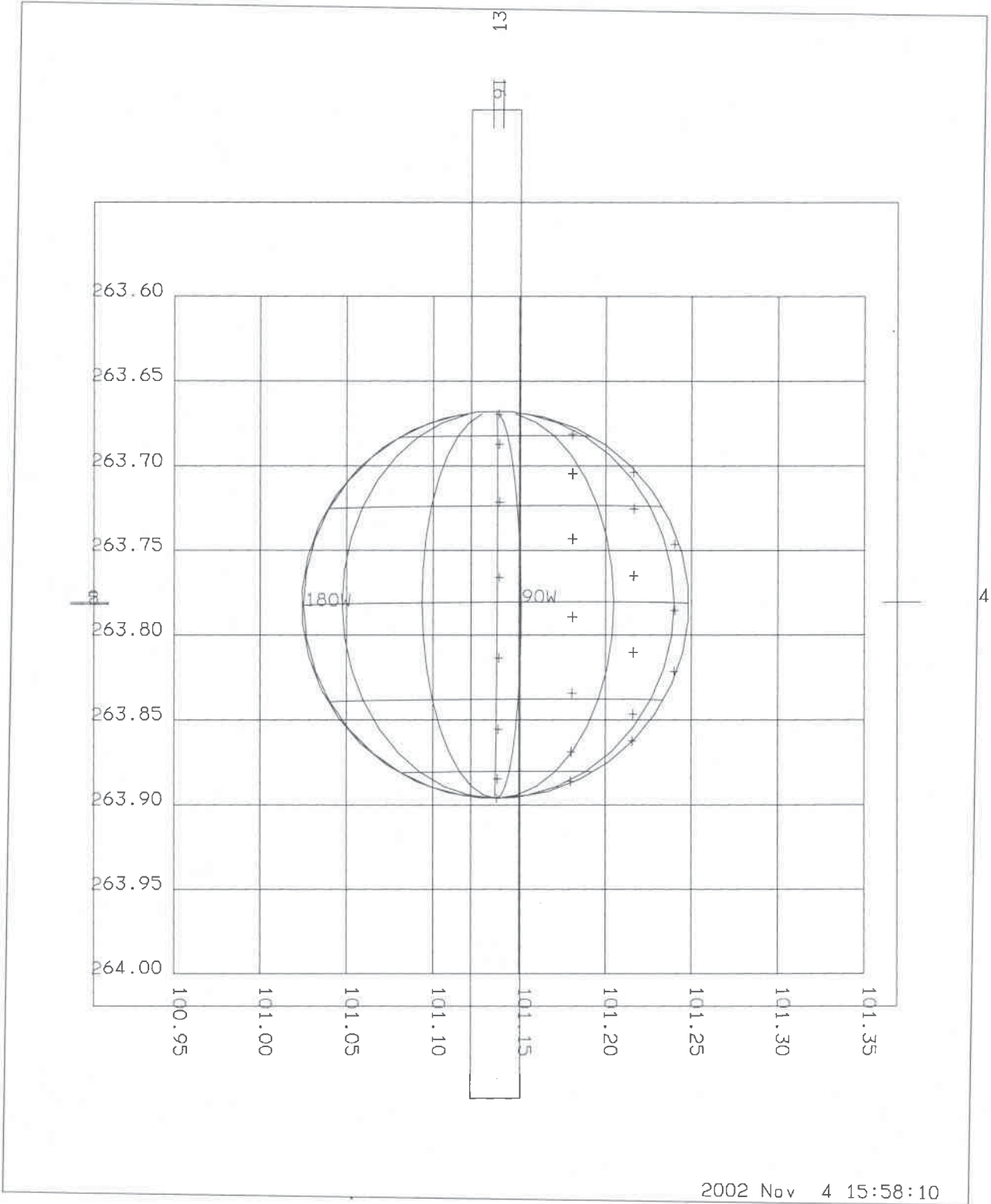
10 34: 12 HRS BEFORE FLYBY



2002 Nov 4 14:58:10

NAV Jun 28, 2000

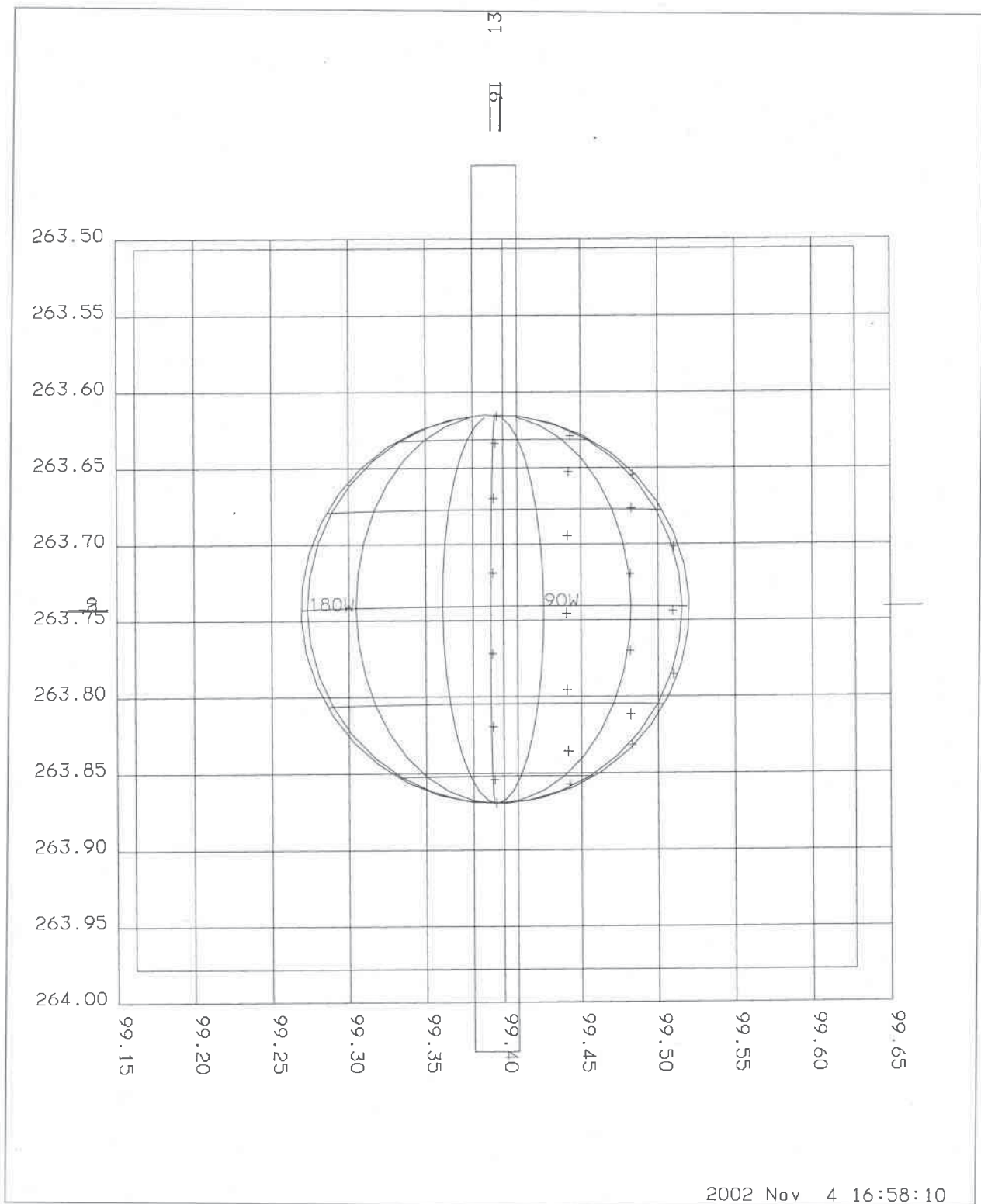
IO 34: 11 HRS BEFORE FLYBY



2002 Nov 4 15:58:10

NAV Jun 28, 2000

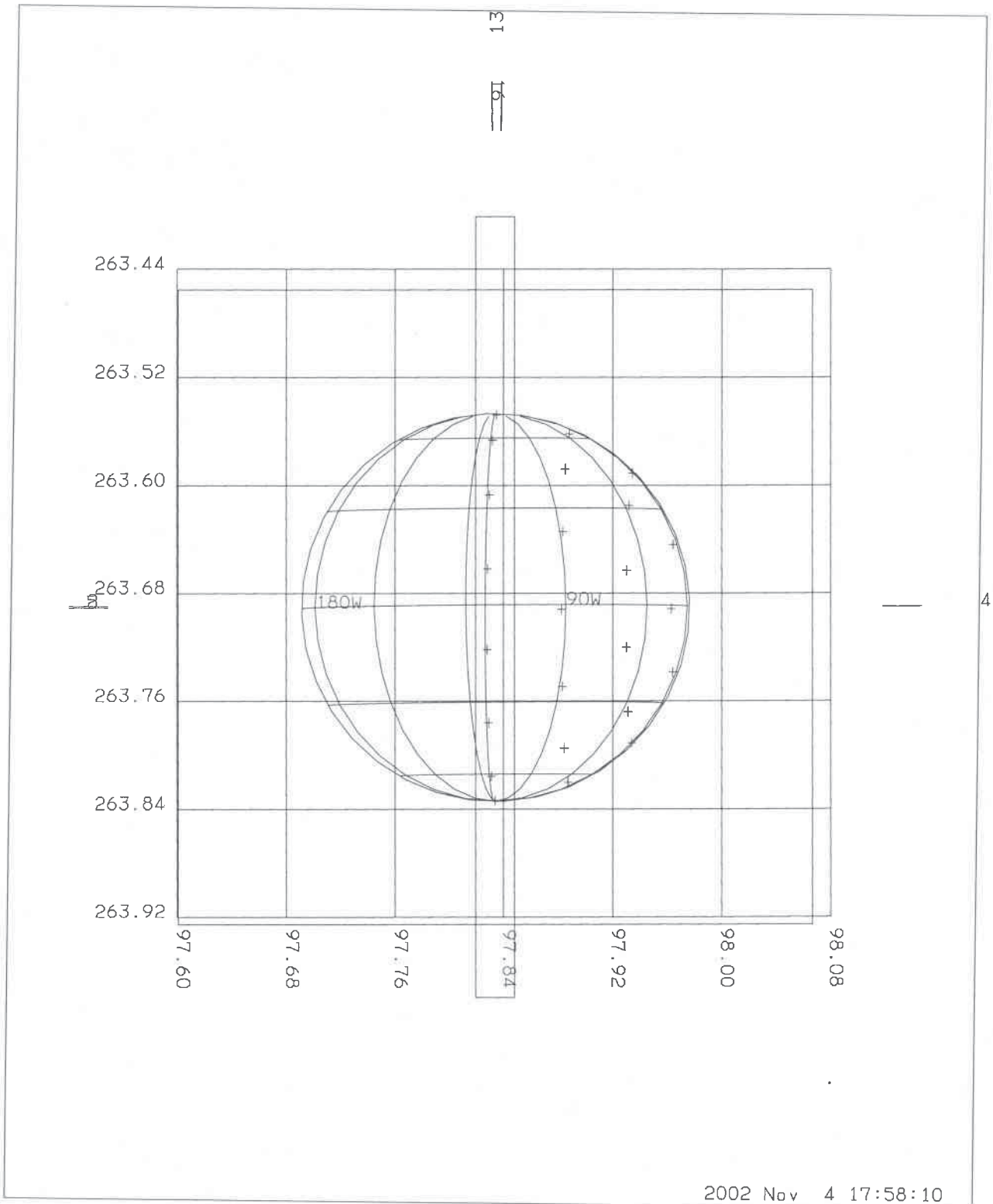
IO 34: 10 HRS BEFORE FLYBY



2002 Nov 4 16:58:10

NAV Jun 28, 2000

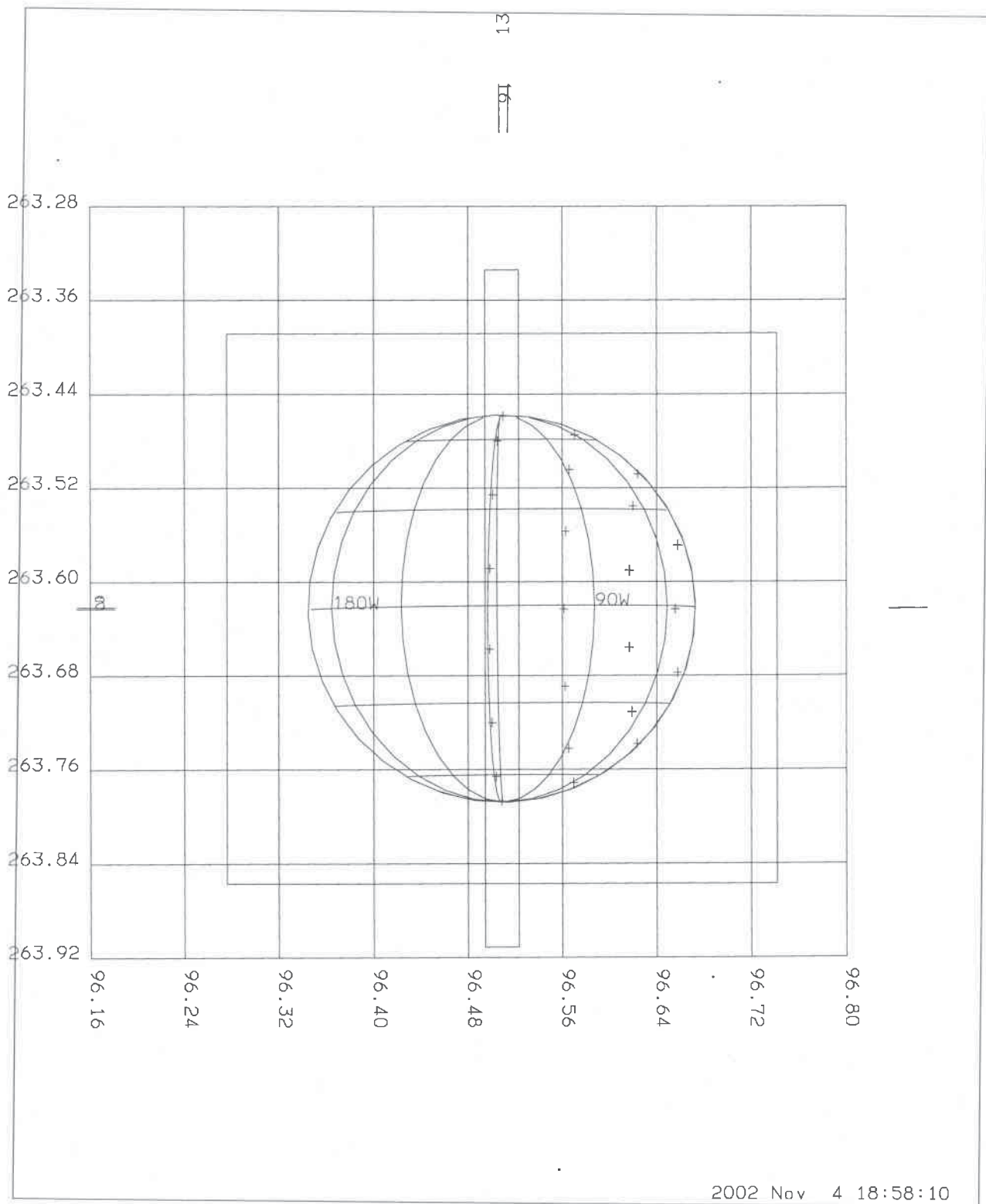
IO 34: 9 HRS BEFORE FLYBY



2002 Nov 4 17:58:10

NAV Jun 28, 2000

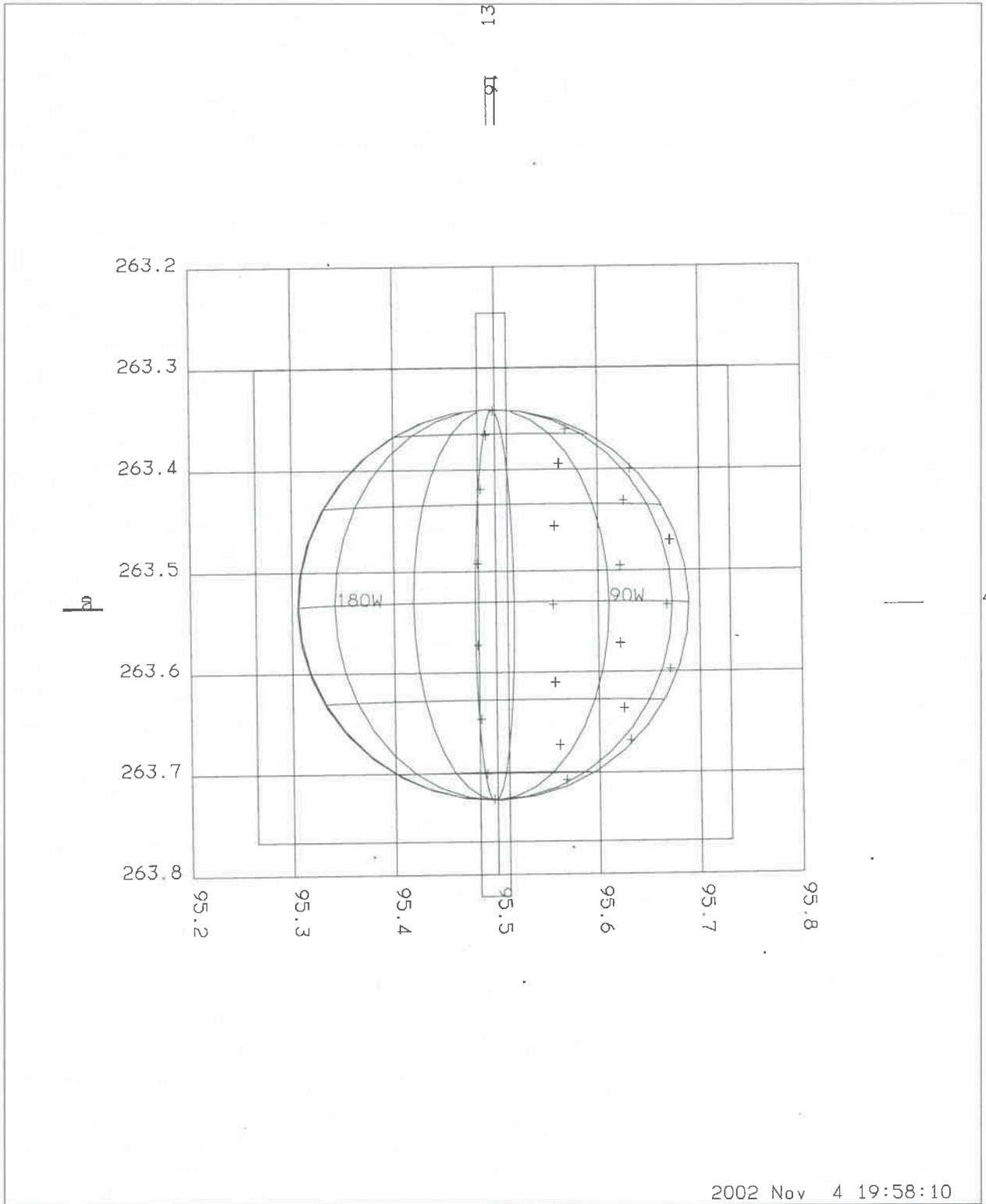
IO 34: 8 HRS BEFORE FLYBY



2002 Nov 4 18:58:10

NAV Jun 28, 2000

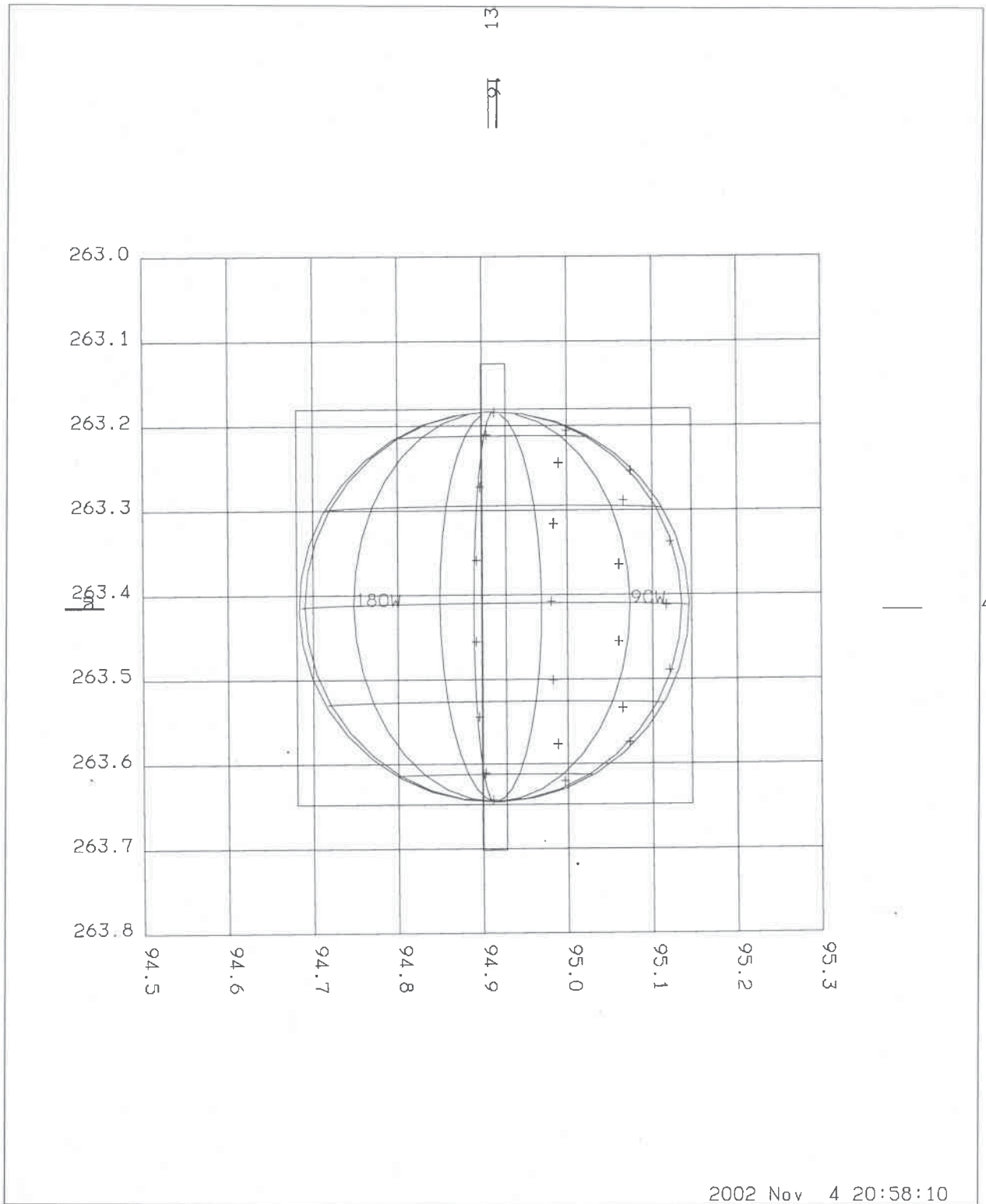
IO 34: 7 HRS BEFORE FLYBY



2002 Nov 4 19:58:10

NAV Jun 28, 2000

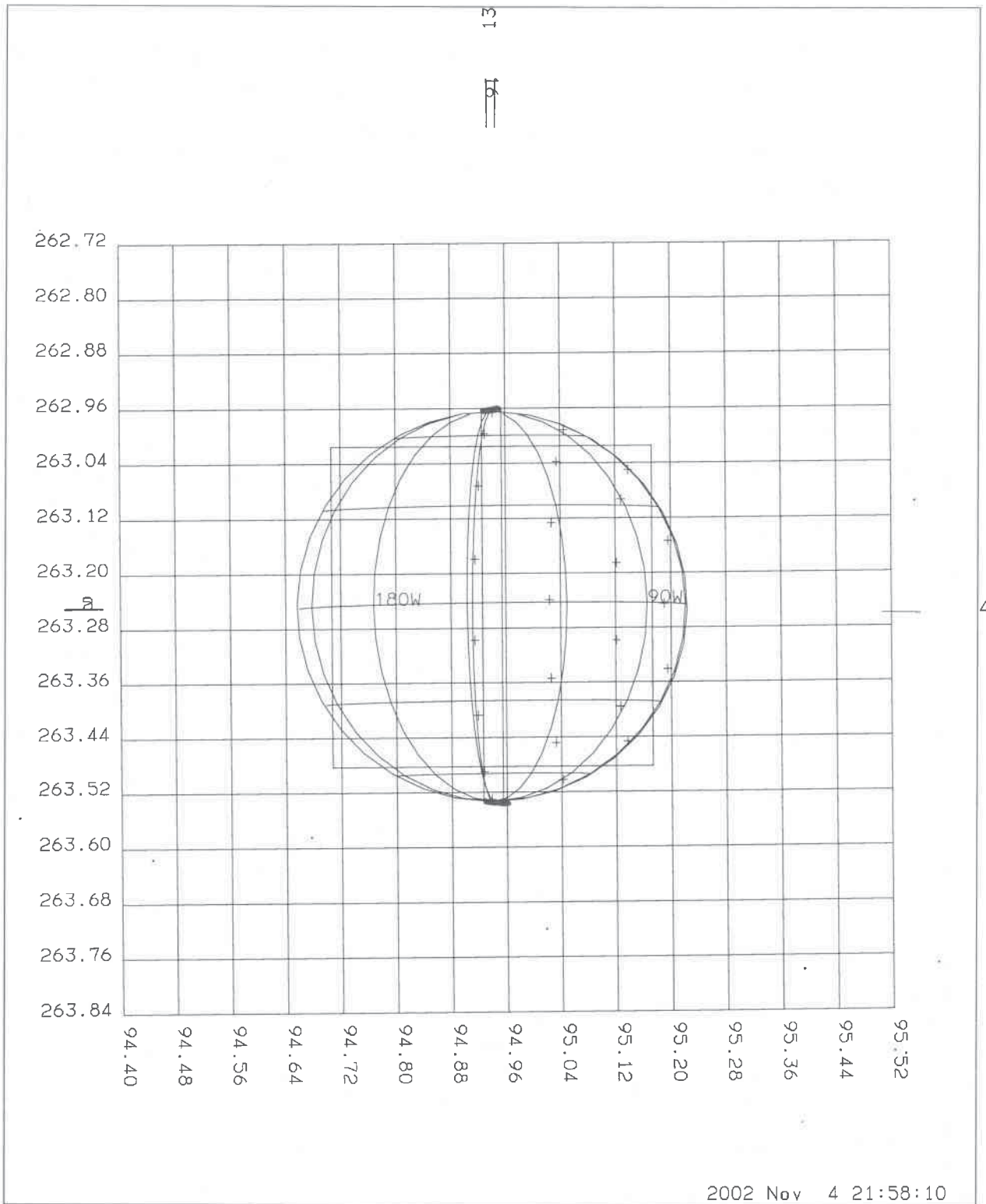
IO 34: 6 HRS BEFORE FLYBY



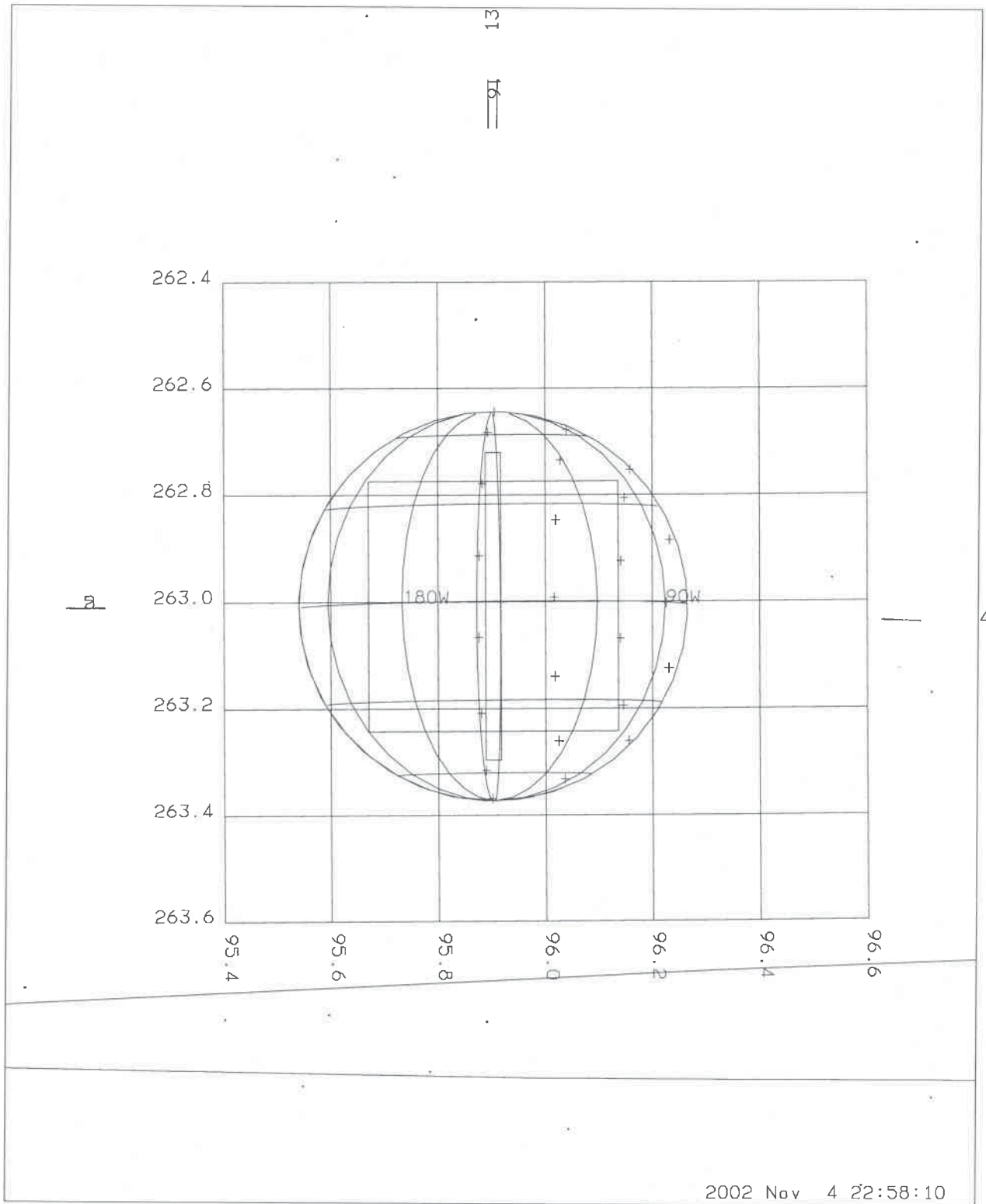
2002 Nov 4 20:58:10

NAV Jun 28, 2000

IO 34: 5 HRS BEFORE FLYBY



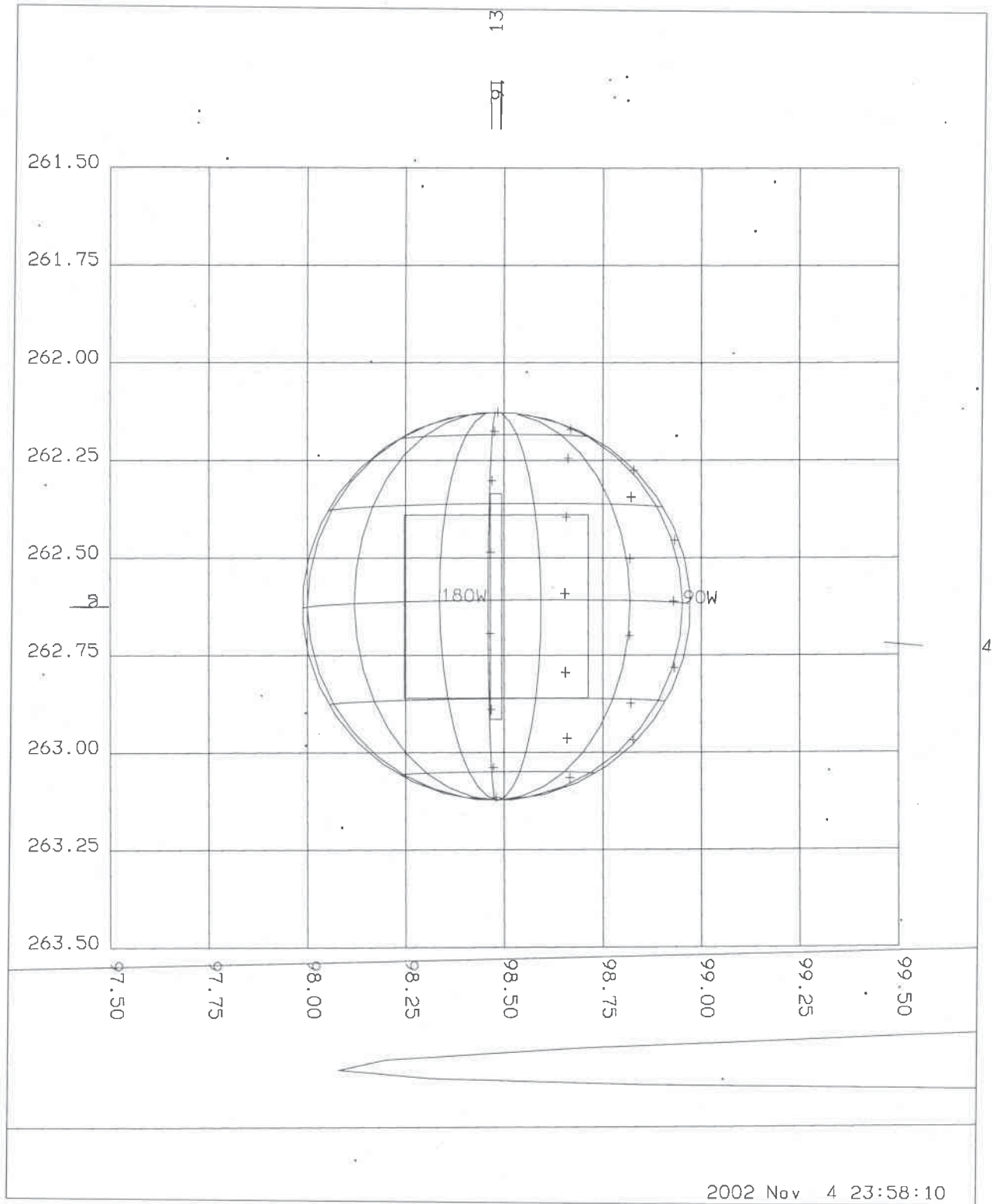
IO 34: 4 HRS BEFORE FLYBY



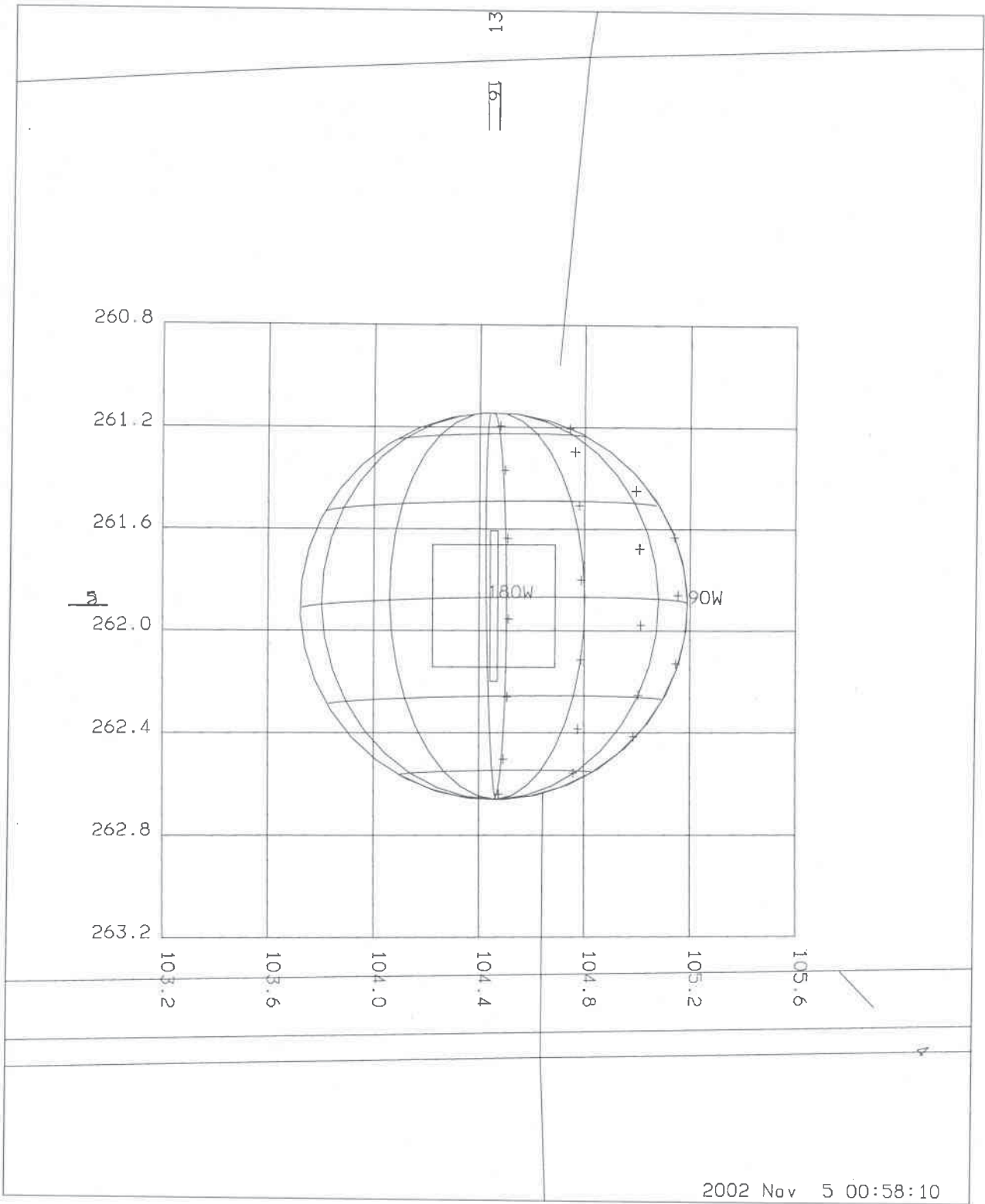
2002 Nov 4 22:58:10

NAV Jun 28, 2000

IO 34: 3 HRS BEFORE FLYBY



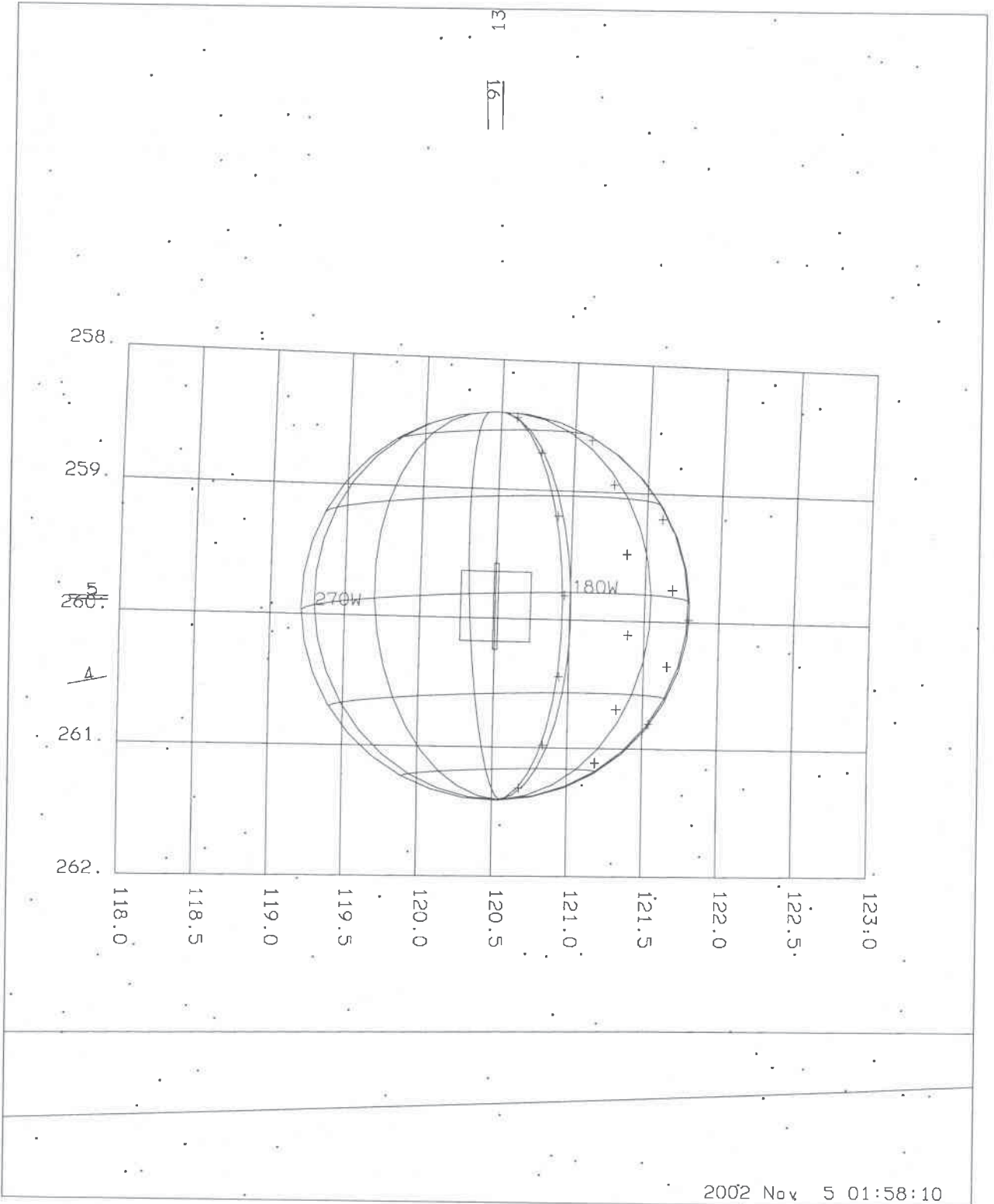
IO 34: 2 HRS BEFORE FLYBY



2002 Nov 5 00:58:10

NAV Jun 28, 2000

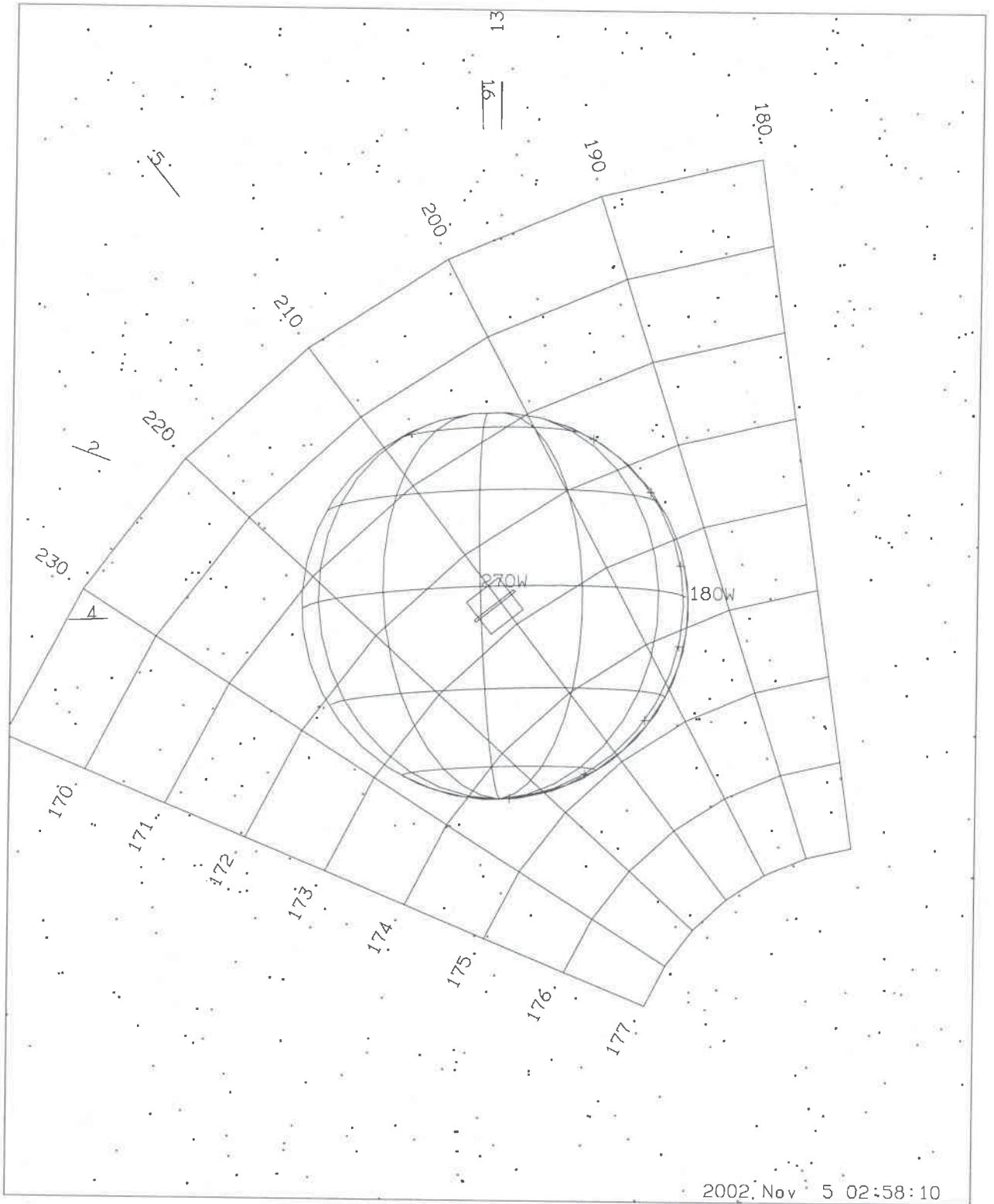
IO 34: 1 HR BEFORE FLYBY



2002 Nov 5 01:58:10

NAV Jun 28, 2000

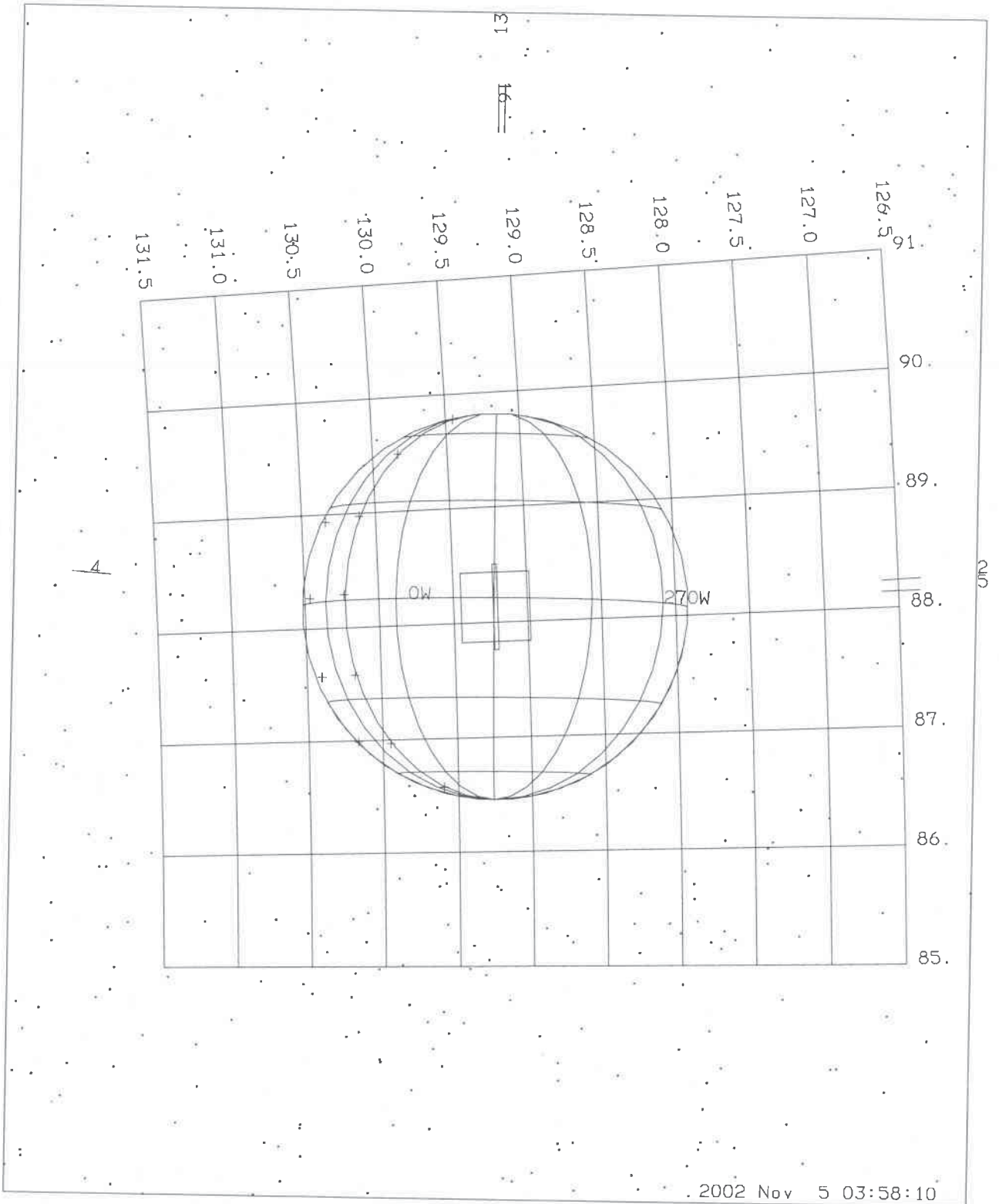
IO 34: AT FLYBY



2002 Nov 5 02:58:10

NAV Jun 28, 2000

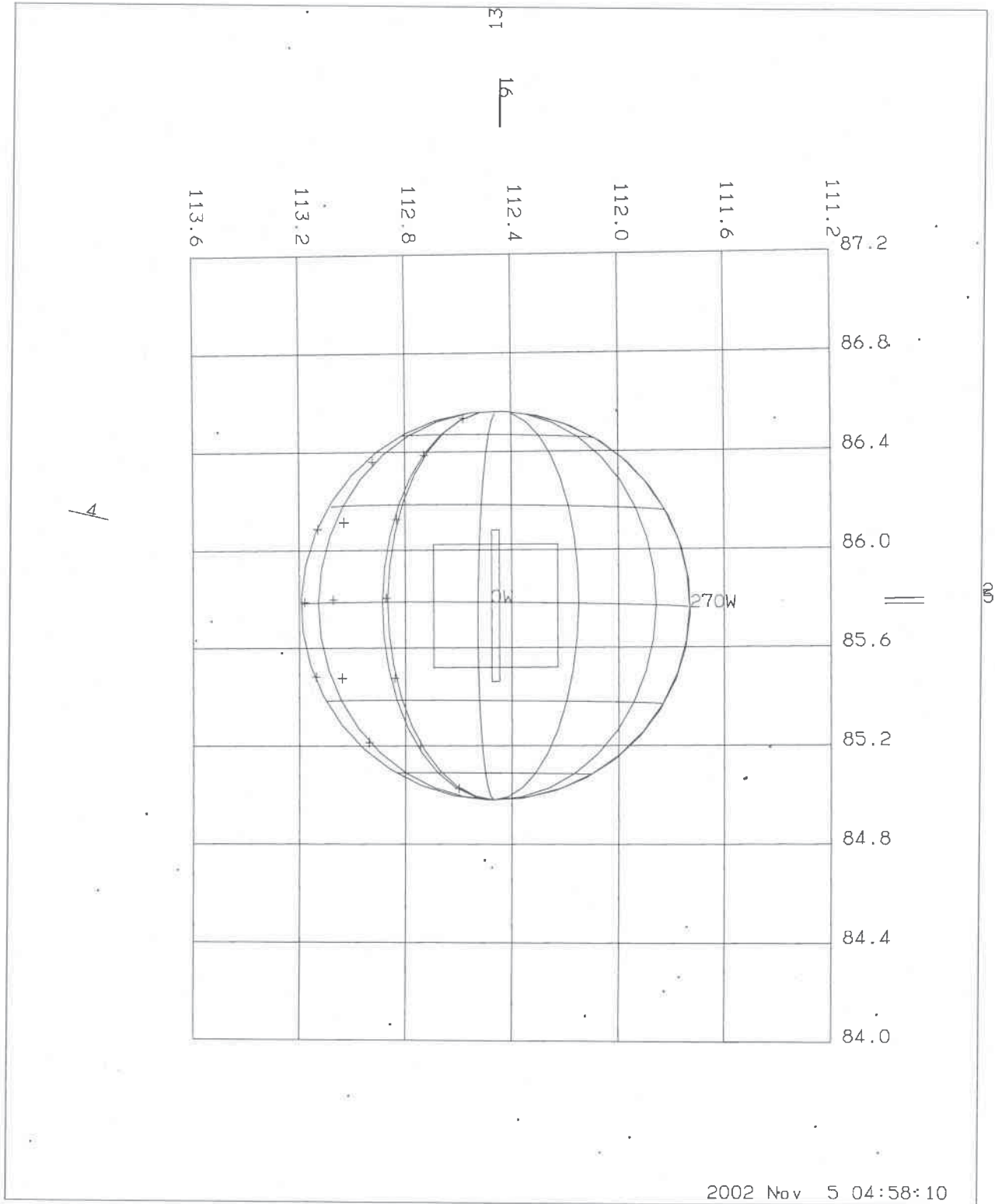
IO 34: 1 HR AFTER FLYBY



. 2002 Nov 5 03:58:10

NAV Jun 28, 2000

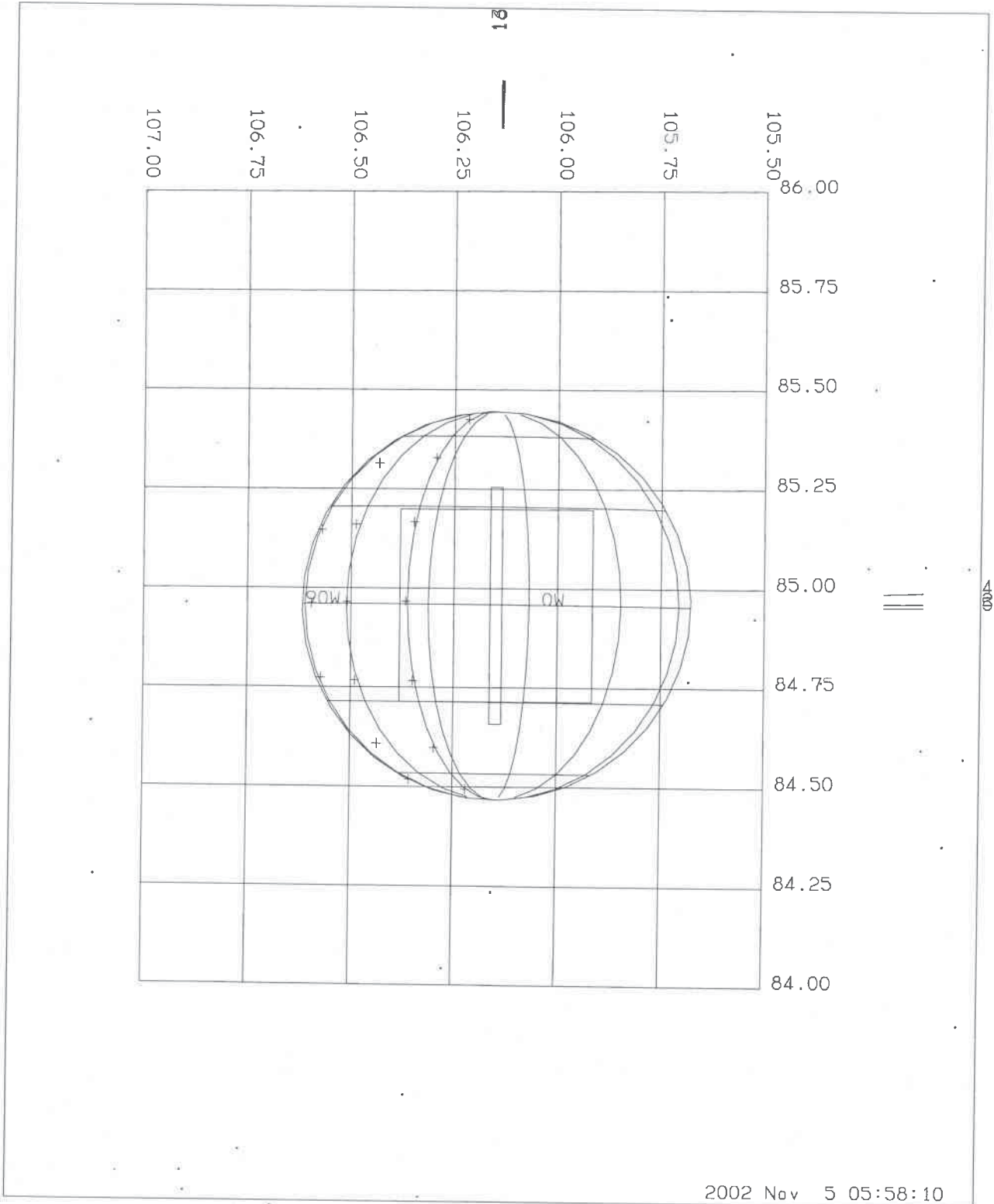
IO-34: 2 HRS AFTER FLYBY



2002 Nov 5 04:58:10

NAV Jun 28, 2000

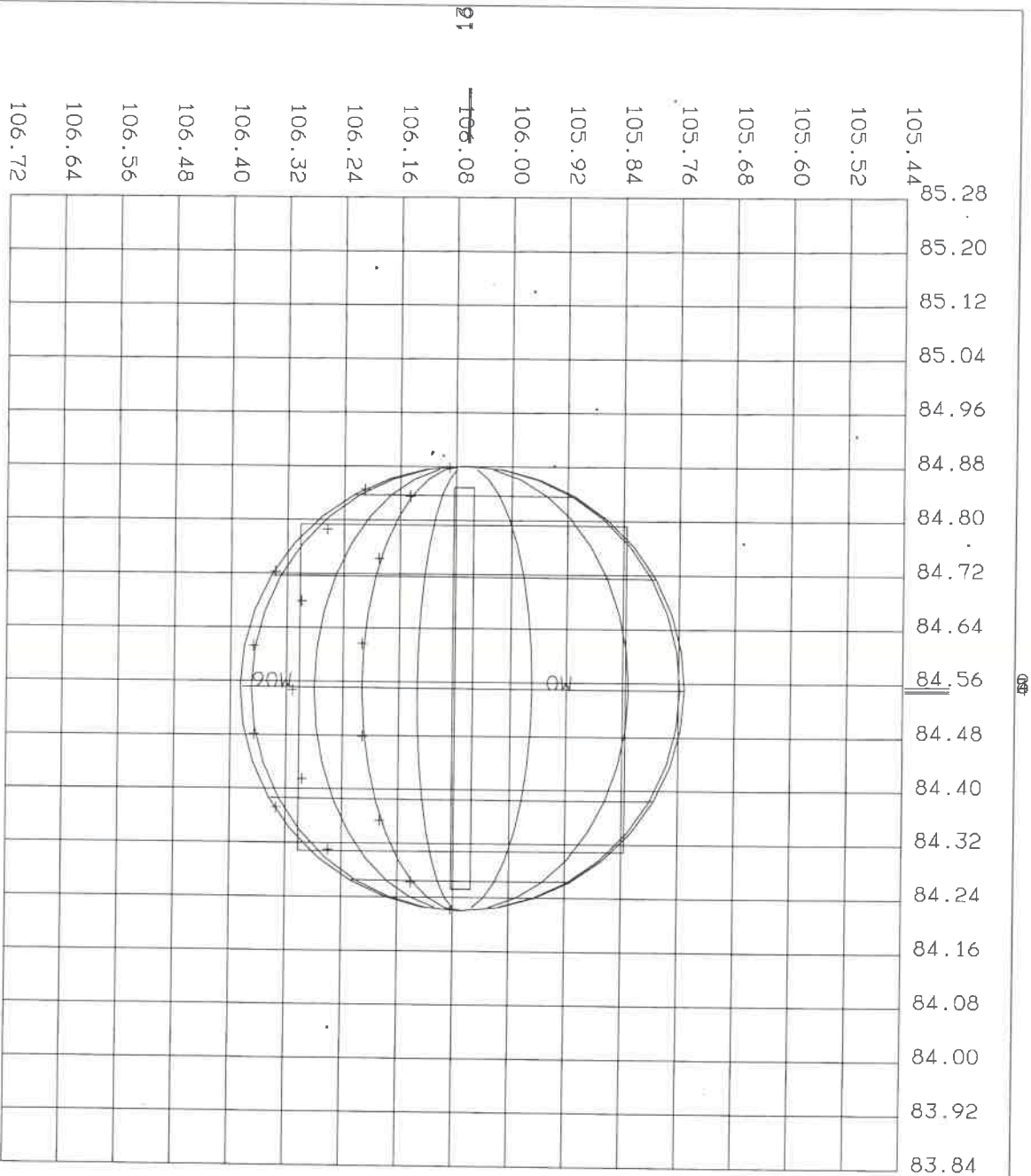
IO 34: 3 HRS AFTER FLYBY



2002 Nov 5 05:58:10

NAV Jun 28, 2000

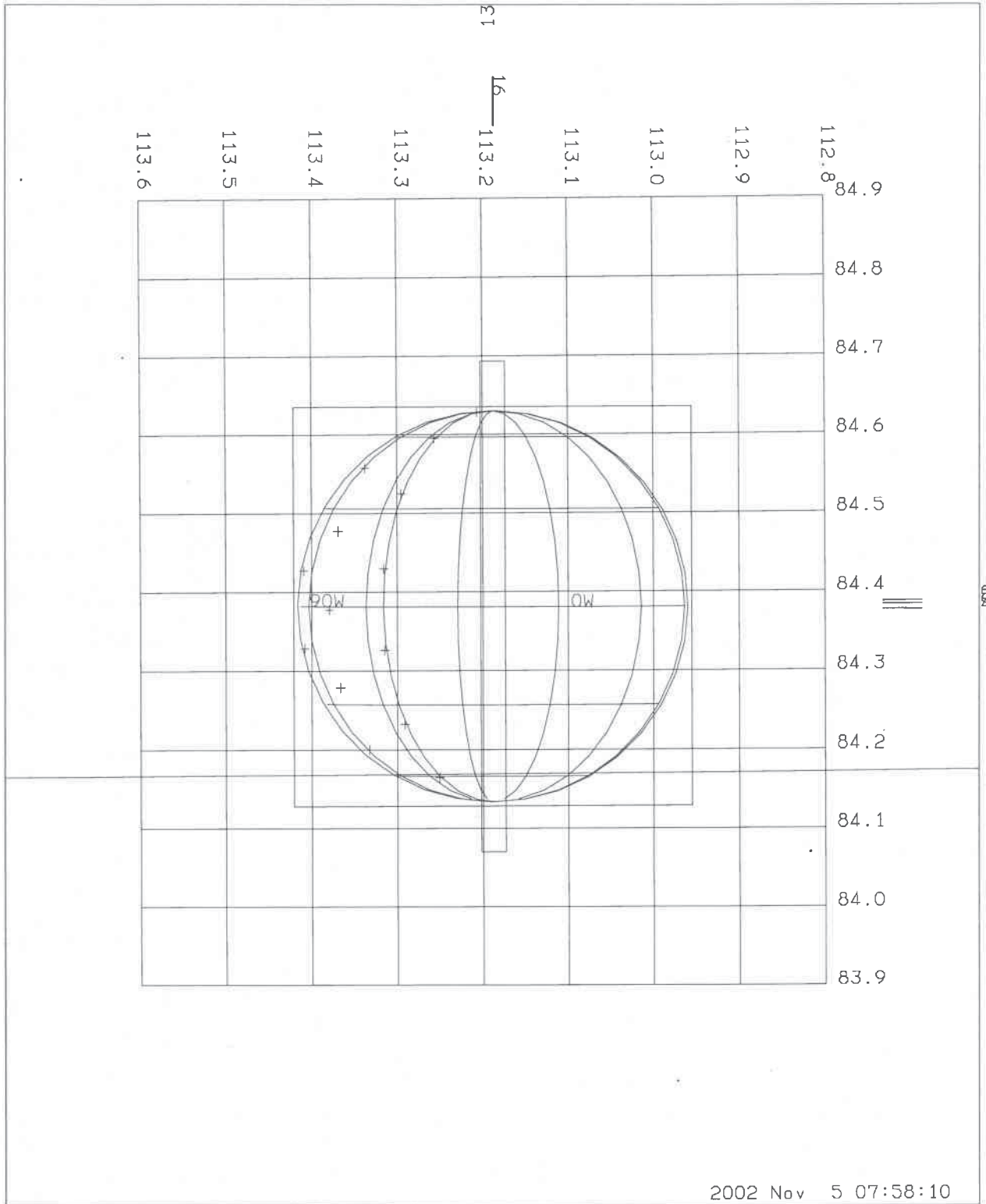
IO 34: 4 HRS AFTER FLYBY



2002 Nov 5 06:58:10

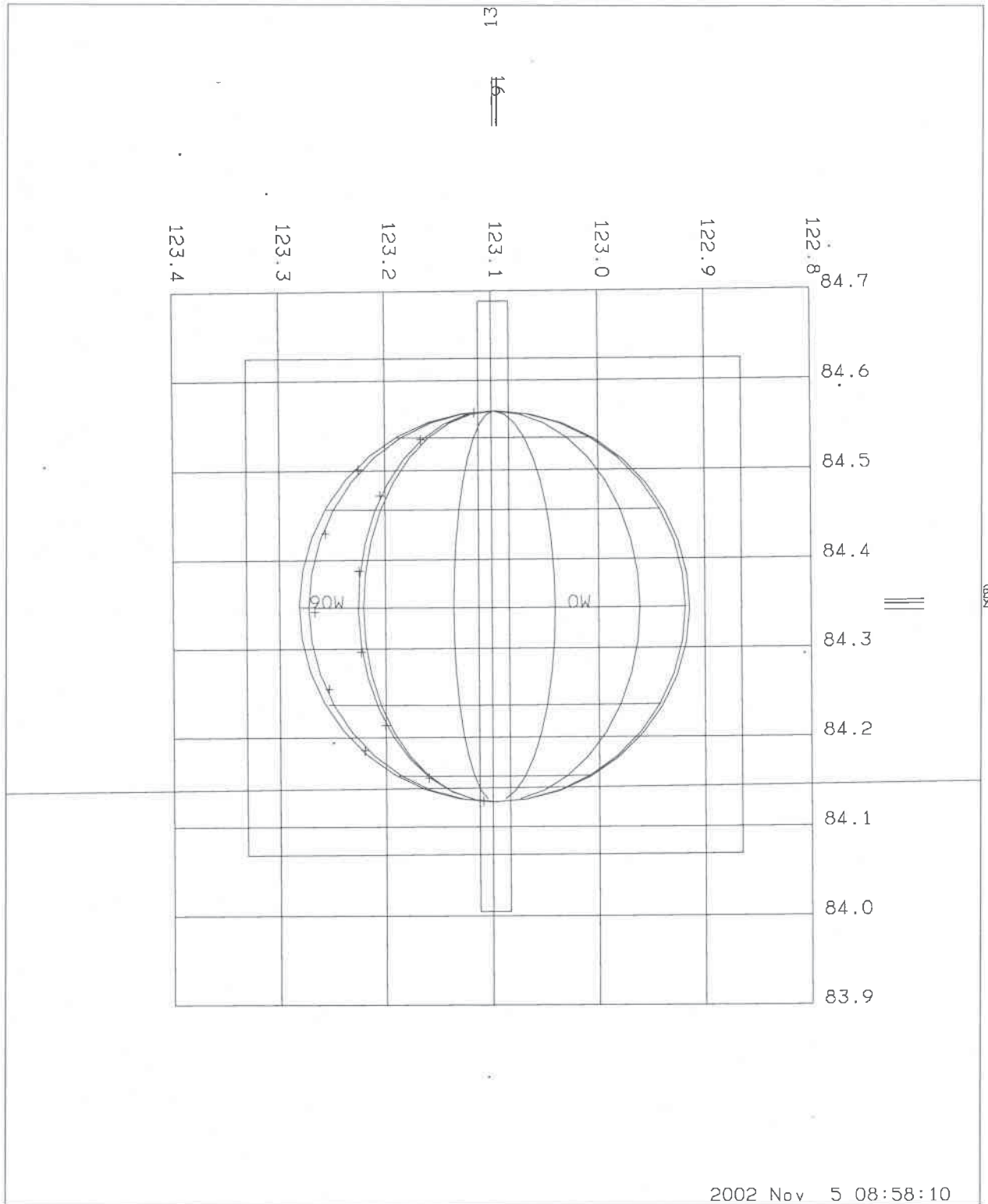
NAV Jun 28, 2000

IO 34: 5 HRS AFTER FLYBY



034

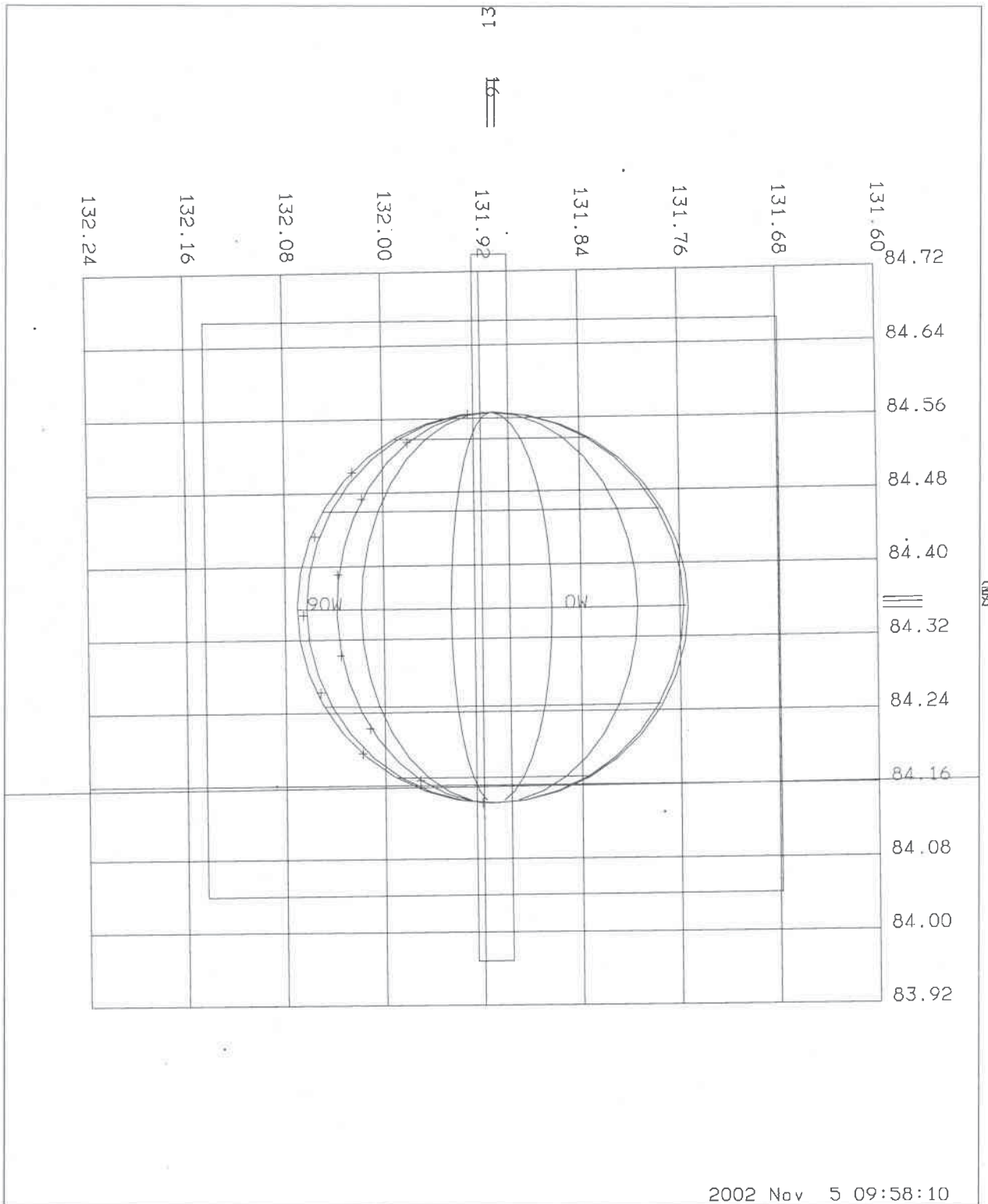
IO 34: 6 HRS AFTER FLYBY



2002 Nov 5 08:58:10

NAV Jun 28, 2000

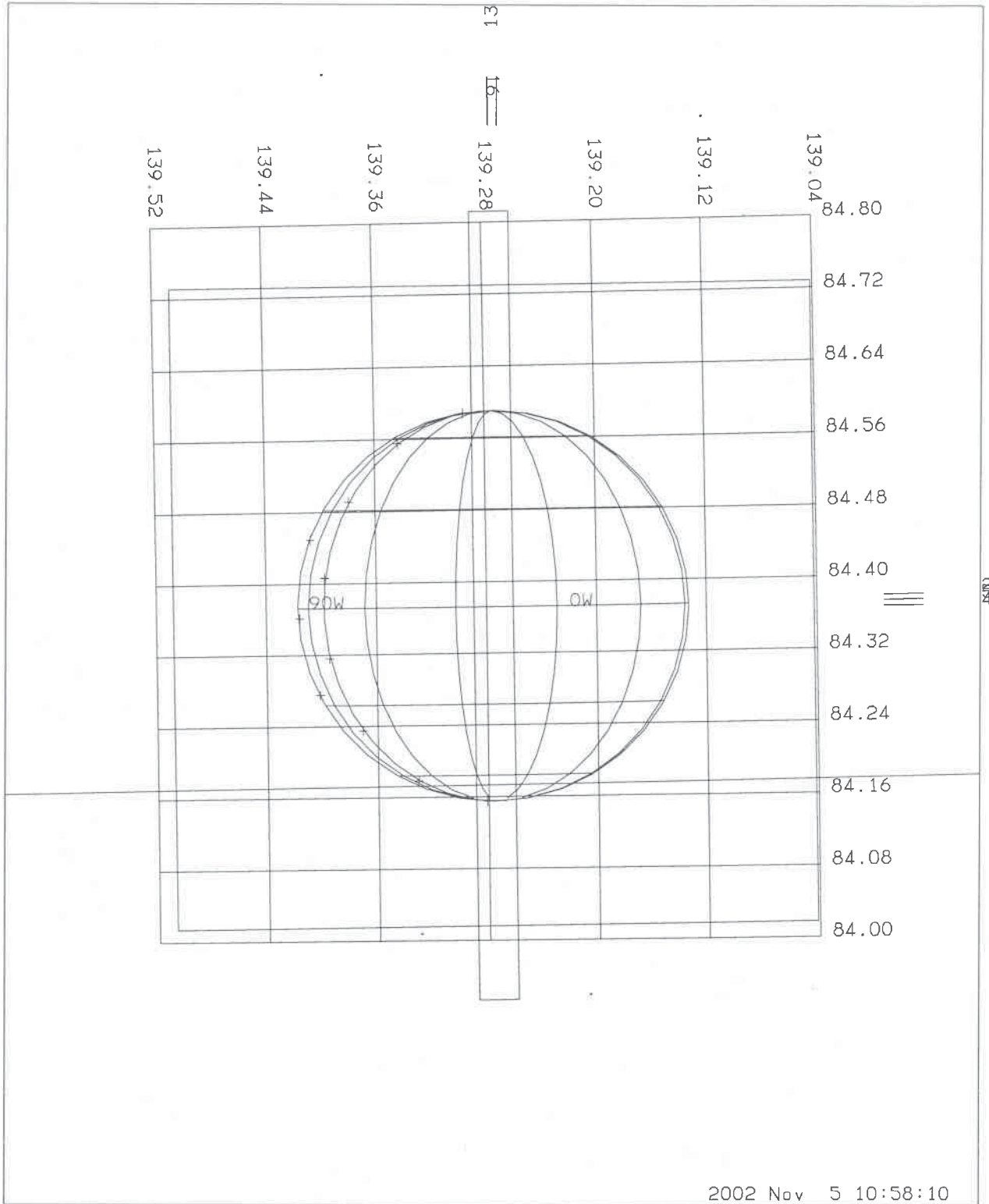
IO 34: 7 HRS AFTER FLYBY



2002 Nov 5 09:58:10

NAV Jun 28, 2000

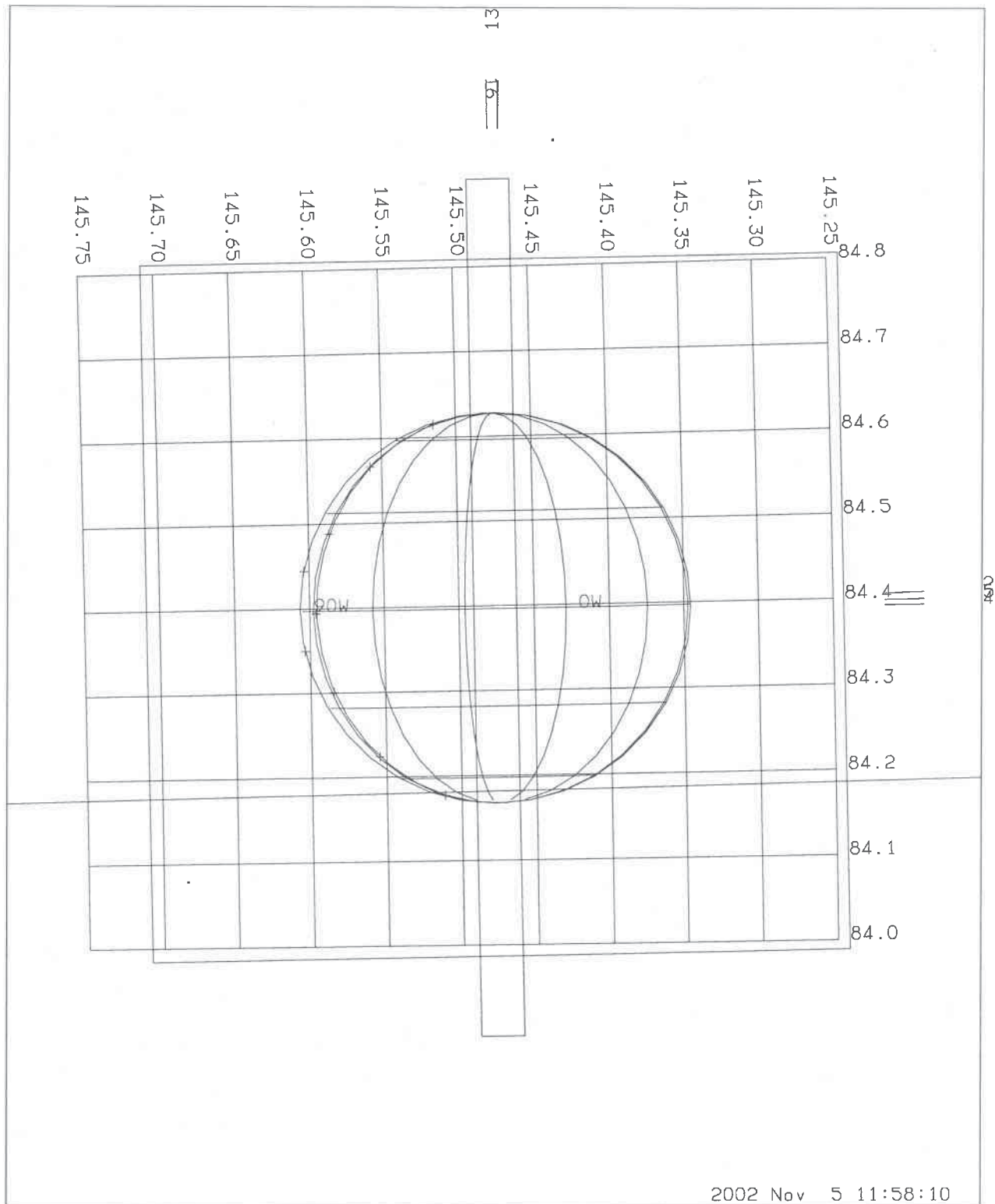
IO 34: 8 HRS AFTER FLYBY



2002 Nov 5 10:58:10

NAV Jun 28, 2000

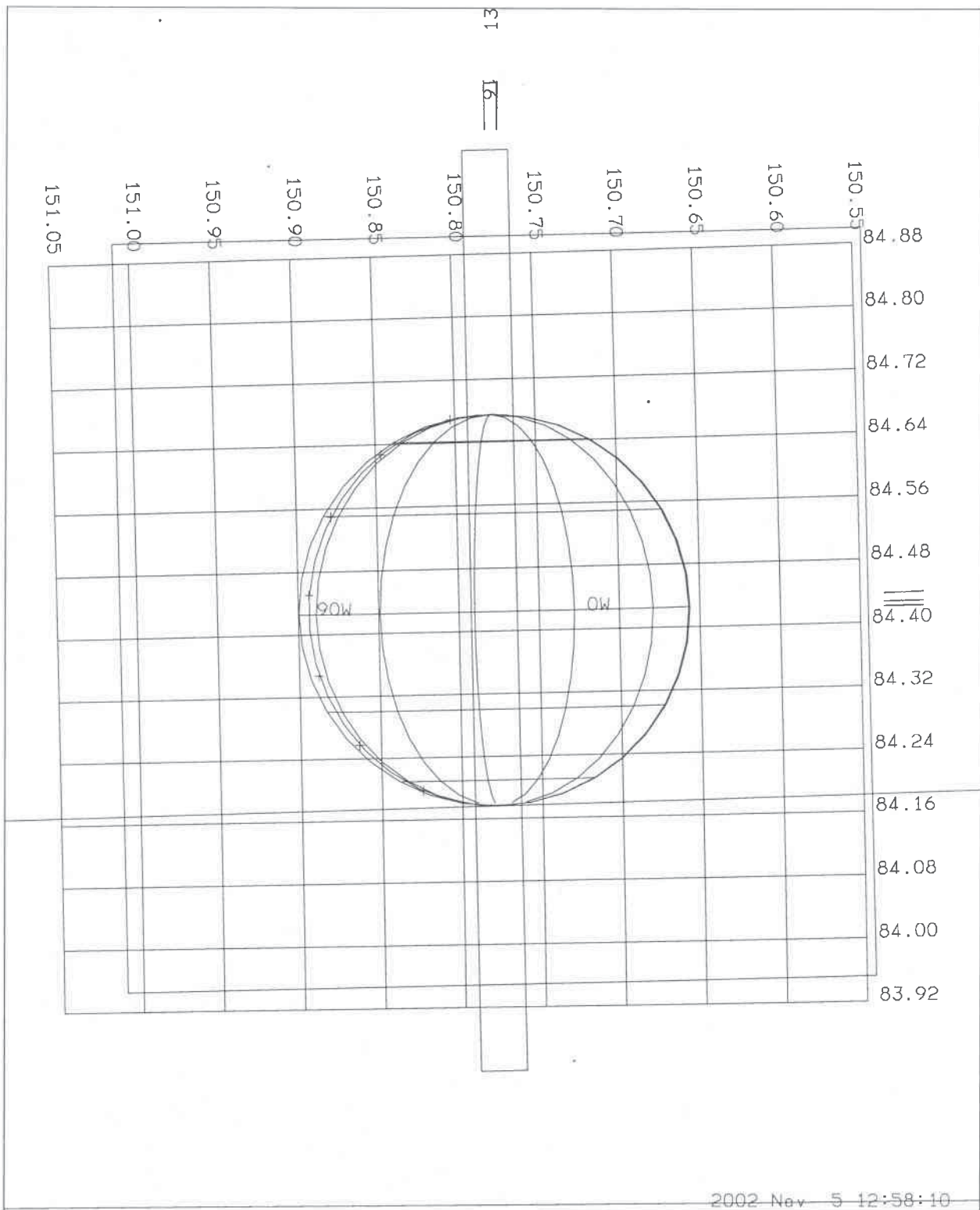
IO 34: 9 HRS AFTER FLYBY



2002 Nov 5 11:58:10

NAV Jun 28, 2000

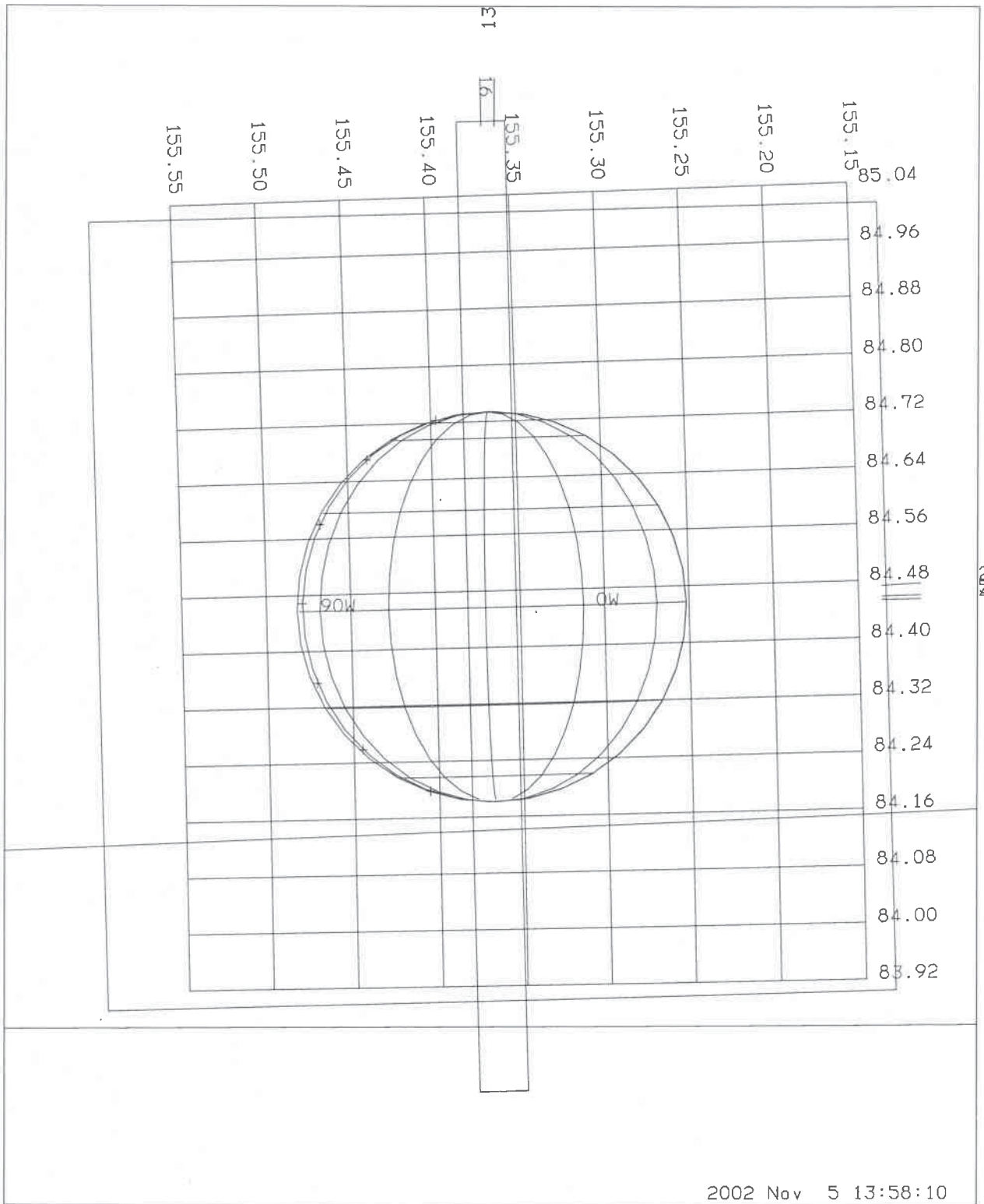
IO 34: 10 HRS AFTER FLYBY



2002 Nov 5 12:58:10

NAV Jun 28, 2000

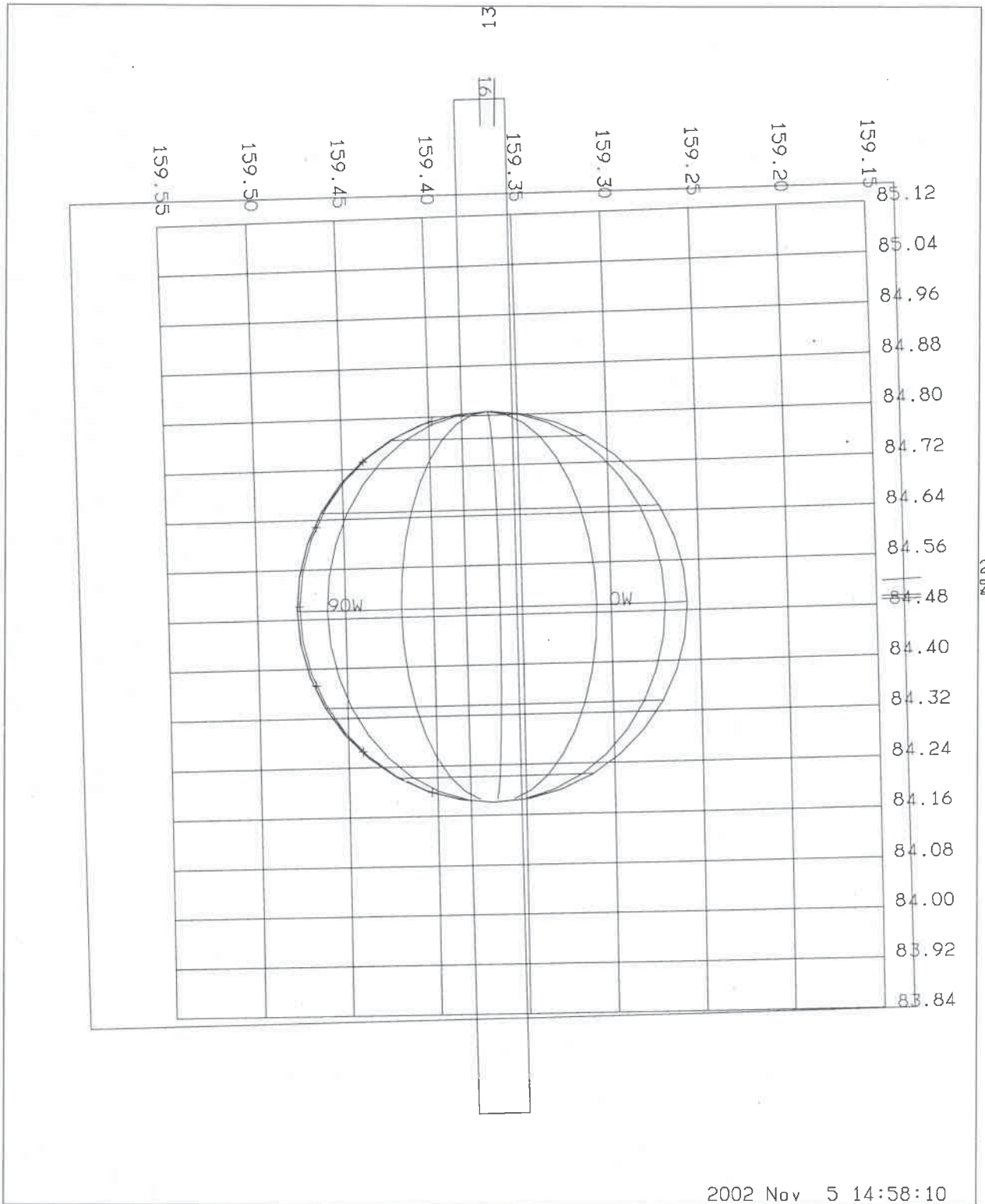
IO 34: 11 HRS AFTER FLYBY



2002 Nov 5 13:58:10

NAV Jun 28, 2000

IO 34: 12 HRS AFTER FLYBY



2002 Nov 5 14:58:10

NAV Jun 28, 2000