

NIMS GUIDE TO THE C9 ORBIT

Original: June 1997

Revised: December 1998

Foreword to the Revised Edition

This document was originally published by the NIMS team as a preview to data acquisition for one orbit. It has been revised and corrected after data receipt and systematic processing for inclusion on the CD-ROMs containing NIMS Experimental Data Records (EDRs) and Systematic Data Products (Cubes). It is also available on the NIMS website in both PostScript (PS) and Portable Document Format (PDF) form. Some material in the original document has been omitted, and a chapter added describing the data actually returned.

The aim of this guide is to provide detailed information on the various NIMS observations and calibrations. Also included in this document is background information on the orbit. A brief overview of the guide is given below. Please refer to the beginning of each chapter for a detailed list of contents.

Chapter 1 gives a brief introduction to the orbit. Chapter 2 gives an overview and summarizes the NIMS science objectives using tables, spreadsheets and timelines. Chapter 3 contains diagrams of various aspects of spacecraft geometry. Chapter 4 summarizes the NIMS observations in terms of a comprehensive sequence summary and a NIMS Observation Table (Obstab). Chapter 5 is a collection of the Detailed Observation Designs made up of OAPEL forms and POINTER plots. Chapter 6 contains plots of the NIMS wavelength edit tables used. Chapter 7 summarizes the NIMS data return from the orbit.

For more information, please refer to the Galileo Orbit Planning Guide (OPG) and the Galileo Orbit Activity Plan (OAP) for this orbit. Both of these documents are produced by the Galileo Project.

For more information on the NIMS instrument, please refer to the NIMS instrument paper: R.W. Carlson, P.R. Weissman, W.D. Smythe, J.C. Mahoney and the NIMS Science and Engineering Teams, "Near-infrared Mapping Spectrometer Experiment on Galileo", Space Science Reviews, Vol 60, pp 457-502, 1992.

Acknowledgements

The NIMS observations in this guide were designed by the NIMS Science Coordinators: Kevin Baines, John Hui, Rosaly Lopes-Gautier, Adriana Ocampo and Marcia Segura. Materials were also provided by Elias Barbinis, Paul Herrera, Bob Mehlman, Jim Shirley, Al Stevenson and Bill Smythe. Some figures and plots produced by various members of the Galileo Project were incorporated into this guide. Frank Leader provided some materials and edited the guide under the direction of Bob Mehlman and Bill Smythe.

Foreward

This document serves as a guide to the C9 Orbit for the NIMS Team. The aim of this guide is to provide detailed information on the various NIMS C9 observations and calibrations. Also included in this document is background information on the C9 orbit. This guide was produced before the start of the C9 orbit. After analysis of the NIMS C9 data is complete, it will be revised and corrected. A brief overview of the guide is given below. Please refer to the beginning of each chapter for a detailed list of contents.

Chapter 1 gives a brief introduction to the C9 orbit. Chapter 2 gives an overview of the C9 orbit and summarizes the NIMS science objectives for the C9 orbit using tables, spreadsheets and timelines. Chapter 3 contains diagrams of various aspects of spacecraft geometry for the C9 orbit. Chapter 4 summarizes the NIMS C9 observations in terms of a comprehensive sequence summary and a NIMS Observation Table (Obstab). Chapter 5 is a collection of the Detailed Observation Designs made up of OAPEL forms and POINTER plots. Chapter 6 contains plots of the NIMS wavelength edit tables used during the C9 orbit.

For more information on the C9 orbit, please refer to the Galileo Orbit Planning guide and the Galileo Orbit Activity Plan for the C9 Orbit. Both of these documents are produced by the Galileo Project.

For more information on the NIMS instrument, please refer to the NIMS instrument paper: R.W. Carlson, P.R. Weissman, W.D. Smythe, J.C. Mahoney and the NIMS Science and Engineering Teams, "Near-infrared Mapping Spectrometer Experiment on Galileo", Space Science Reviews, Vol 60, pp 457-502, 1992.

Table of Contents

	Chapter	Page
1.0	Introduction	1-01
2.0	Orbit Overview	2-01
3.0	Orbit Geometries	3-01
4.0	Sequence Summary	4-01
5.0	Detailed Observation Designs	5-01
6.0	Edit Tables	6-01
7.0	Data Return	7-01

Chapter 1 - Introduction

Contents

	Sub-Section	Page
1.0	Contents	1
1.1	Introduction	2
1.2	C9 Overview Timeline Part 1	3
1.3	C9 Overview Timeline Part 2	4
1.4	C9 Major Events list	5

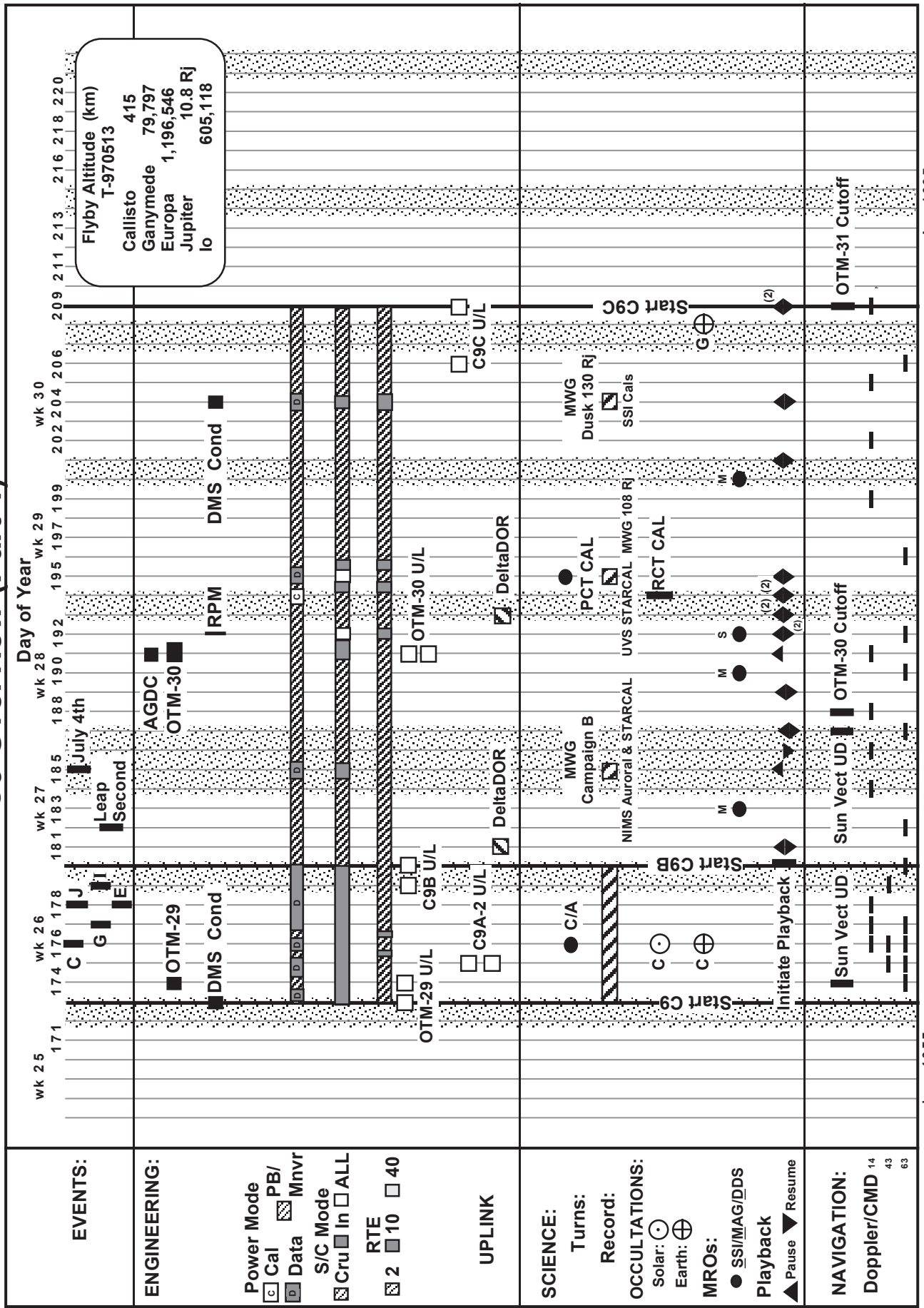
Introduction

This C9 orbit is the ninth of eleven orbits in Galileo's Tour of the Jovian system. This orbit has a targetted satellite flyby of Callisto. NIMS will make observations of Jupiter, Io, Europa, Ganymede and Callisto in this orbit. NIMS will also perform some calibrations in this orbit. This orbit is this first orbit to record science data during cruise. This required creative use of the recorder resources.

There are 10 autonomous reloads of the NIMS RAM code from CDS planned during the C9A encounter period with checksums of the NIMS RAM code before each reload. These reloads are in response to the on-going flight-anomalies where the NIMS RAM code takes some bit hits and halts the instrument during when the spacecraft is close to Jupiter. NIMS will also return realtime data on a daily basis during the C9A encounter period as a means of monitoring the instrument's status. NIMS personnel will also monitor the NIMS engineering telemetry data on a regular schedule to track the instrument's status.

The C9 orbit is divided into 3 sequence loads: one Encounter Load (C9A) and two Orbital Cruise Load (C9B and C9C). The C9A load begins on D173 of 1997 (06/22/97) and ends on D180 of 1997 (06/29/97) This load contains the flybys of Jupiter, Europa, Io, Ganymede and Callisto. The Cruise Load C9B runs from D180 to D209 and Cruise Load C9C runs from D209 to D257. Playback of the recorded data takes place during the Cruise phases, C9B and C9C. Also, data is recorded during the cruise phase on recorder tracks that have already been played back. A high-level overview timeline of the C9 orbit can be found on the following two pages.

C9 Overview (Part 1)



Flyby Altitude (km)

Callisto	415
Ganymede	79,797
Europa	1,196,546
Jupiter	10.8 Rj
Io	605,118

Introduction

The following table lists the major events during C9, including NIMS Real Time observations, in UTC.

06/22/97	97-173/17:00:00	C9 Encounter Start
06/25/97	97-176/13:48:07	Callisto Closest Approach
06/25/97	97-176/21:31:12	NIMS R/T Jupiter Aurora
06/25/97	97-176/21:47:23	NIMS R/T Jupiter Aurora
06/25/97	97-176/22:04:34	NIMS R/T Hotspot
06/25/97	97-176/22:17:43	NIMS R/T Jupiter Aurora
06/26/97	97-177/01:34:53	NIMS R/T Hotspot
06/26/97	97-177/03:27:07	NIMS R/T Jupiter Aurora
06/26/97	97-177/05:52:43	NIMS R/T Hotspot
06/26/97	97-177/07:33:50	NIMS R/T Jupiter Aurora
06/26/97	97-177/11:21:20	NIMS RAM Reload 01
06/26/97	97-177/13:20:38	NIMS R/T Jupiter Aurora
06/26/97	97-177/16:06:28	NIMS R/T Europa
06/26/97	97-177/17:20:16	Ganymede Closest Approach
06/26/97	97-177/17:55:00	NIMS R/T Ganymede
06/26/97	97-177/18:55:19	NIMS R/T Europa
06/26/97	97-177/20:07:06	NIMS RAM Reload 02
06/26/97	97-177/23:20:00	NIMS R/T Ganymede
06/27/97	97-178/05:53:33	NIMS RAM Reload 03
06/27/97	97-178/10:10:22	Europa Closest Approach
06/27/97	97-178/11:57:33	Jupiter Closest Approach
06/27/97	97-178/14:12:02	NIMS RAM Reload 04
06/27/97	97-178/17:55:29	NIMS RAM Reload 05
06/27/97	97-178/21:16:42	NIMS RAM Reload 06
06/28/97	97-179/00:17:41	NIMS RAM Reload 07
06/28/97	97-179/02:31:09	Io Closest Approach
06/28/97	97-179/04:28:26	NIMS RAM Reload 08
06/28/97	97-179/08:37:10	NIMS R/T Jupiter Aurora
06/28/97	97-179/08:46:16	NIMS RAM Reload 09
06/28/97	97-179/12:04:27	NIMS RAM Reload 10
06/28/97	97-179/14:05:47	NIMS R/T Jupiter Aurora
06/29/97	97-180/17:00:00	Start C9 Playback
07/04/97	97-185/14:09:45	NIMS R/T Jupiter Aurora
07/04/97	97-185/14:19:41	NIMS STAR CAL
07/04/97	97-185/14:39:04	NIMS R/T Jupiter Aurora
07/04/97	97-185/15:10:25	NIMS R/T Jupiter Aurora
07/04/97	97-185/15:30:38	NIMS R/T Jupiter Aurora
07/04/97	97-185/15:40:35	NIMS STAR CAL
07/04/97	97-185/16:00:58	NIMS R/T Jupiter Aurora
07/13/97	97-194/09:13:54	NIMS R/T RCT CAL
07/14/97	97-195/04:10:24	NIMS R/T PCT CAL
08/11/97	97-223/01:00:21	NIMS R/T RCT CAL
09/10/97	97-253/12:04:21	NIMS R/T OPCAL
09/14/97	97-257/00:00:00	END C9 Playback

Chapter 2 - Orbit Overview

Contents

	Sub-Section	Page
2.0	Contents	1
2.1	Introduction to Chapter 2	2
2.2	NIMS Science Objectives	3-5
2.3	NIMS Calibrations	5
2.4	Early Data Return	6
2.5	C9 Playback	6
2.6	NIMS Time-ordered Listing	7-10
2.7	NIMS C9 Observation Geometry Plot	11
2.8	NIMS C9-Cruise Observation Geometry Plot	12
2.9	NIMS Satellite Observation Geometry Plot	13
2.10	NIMS Jupiter Observation Geometry Plot	14
2.11	NIMS Calibration Geometry Plot	15
2.12	NIMS Reload Geometry Plot	16
2.13	NIMS C9 Input Spreadsheet	17-19
2.14	NIMS C9 Resource Usage Spreadsheets	20-25
2.15	NIMS C9 Observing Geometry Table	26-31
2.16	C9 Tapemap	32-44
2.17	C9 Playback Schedule	45-55
2.18	NIMS C9 Mosaic Summary	56-67

Introduction to Chapter 2

This chapter gives an overview of the NIMS observations in the C9 Orbit.

The text on pages 3, 4 and 5 summarizes the NIMS science objectives for C9. The NIMS calibrations are discussed on page 5. Early data return and C9 playback are also discussed on page 6.

The table on pages 7 through 10 is a time-ordered listing of the NIMS Oapels for C9.

The plot on page 11 shows the geometry of the NIMS C9 observations using a north trajectory pole view projection. The plot on page 12 shows the NIMS C9 Cruise observations. The plots on pages 13 and 14 show the geometry of the NIMS Satellite and Jupiter observations. The plot on page 15 shows the geometry of the NIMS C9 calibrations. The plot on page 16 shows the geometry of the NIMS RAM Reloads and MROs.

The spreadsheet on pages 17 through 19 summarizes the various inputs for the NIMS C9 Observations. The spreadsheet on pages 20 through 25 summarizes the resource usage for the NIMS C9 observations.

The table on pages 26 through 31 lists various NIMS C9 observing parameters: target latitude/longitude, range, cone angle, incidence angle (light), emission angle (view) and phase angle.

The tapemap on pages 32 through 44 shows the placement of the C9 observations on the spacecraft's tape recorder. The NIMS observation names are written with a larger type.

The timeline on pages 45 through 55 shows the preliminary C9 playback schedule.

The NIMS C9 mosaic designs are summarized on pages 56 through 67 in time-order.

NIMS C9 Science Overview

Io Science

The NIMS Io monitoring campaign for C9 include six CHEMIS, five VOLCAN, and two HIRES observations. Because of resource constraints, the THRMAL observations have been combined with the CHEMIS observations which will allow data being taken on the day and night sides of Io. In addition, three Io eclipse observations have been included. The first eclipse observation, INCOOLCV01, will investigate the cooling of hot spots on Io's surface as Io is entering (ingress) eclipsed. Eclipse entry time is 97-177/22:51:06. Secondly, INWARMCV01 will study the warming of the hot spots as Io is exiting eclipse (egress). The last eclipse observation will study the hotspots when Io is completely out of eclipse (post-egress).

Europa Science

Two Europa eclipse observations ,ENCLIPSE01 and ENCLIPSE03, are planned. The first and second NIMS observation of Europa will be taken during ingress and egress respectively. The objective of these observations is to determine a cooling and warming curve which will help assess the presence of temperature variabilities on Europa's surface. The begin and end times for ENCLIPSE01 are 97-177/15:53:19 and 97-177/16:12:32 respectively. Also, the begin and end times for ENCLIPSE03 are 97-177/18:45:13 and 97-177/19:05:26, respectively.

Ganymede Science

NIMS has planned four observations for Ganymede. Two global observations, GNGLOBAL01 and GNGLOBAL02, will obtain high spectral resolution maps of Ganymede's surface to study surface mineralogy and distribution of compositional units. This data will also be used to compare with other satellites to look for similarities and differences in surface structure and compositional units. The third observation, GNDRKLIT01, will study dark and light transition area near the Galileo Regio. The fourth observation, GNDARLED01 will take two sets of data. It was combined with GNBRILED01 to conserve CDS bytes. GNDARLED01 will study the bright and dark endmembers in the leading hemisphere to identify narrow mineralogic features or those associated with ices other than water at a phase angle of 85 degrees.

NIMS C9 Science Overview

Callisto Science

Six observations of Callisto are planned for NIMS. CNGLOBAL01 will obtain combined spectral and spatial resolution data of Callisto's surface to determine compositional variations. Both ANARR and SKULD observations are high spatial-resolution observations designed to observe small surface features to search for subsurface materials which have welled up in the crater centers. The north latitude observation, CNNOLAT01, will obtain high spatial and spectral data to determine compositional variations as well as investigate the dark material in the Northern regions. Two separate observations will study the Valhalla crater. CNVALSPC01 will do a spectral scan of Valhalla's Palimpsest and ring structure to determine compositional differences, as well as identify minor constituents. CNVALHAL01 will observe Callisto's largest multi-ring structure, Valhalla, to determine the composition and albedo of the Palimpsest and surrounding surface.

Jupiter Science

NIMS has planned a total of sixty-eight atmospheric observations for C9. These include nineteen Great Red Spot (GRS) observations at phase angles of (in time order) 51, 11, 39, 75, 95, 156 and 145 degrees. In addition, twelve feature track observations are included that will study an interesting hotspot/plume area at phase angles of 15, 57, 85, 102, 156 and 145 degrees. JNGRS53M01 and JNGRS5UM01 observations are special night-time high spectral resolution measurements covering the 3 and 5 micron windows designed to map trace species within the GRS feature campaign. Similarly, JNFEA53M01 and JNFEA5UM01 observations combine 5 and 3 micron night-time observations to map of trace species for the hotspot/plume.

Apart from such feature track observations, four south polar observations will cover South polar latitudes over a hemisphere from 260 to 150 degrees. Moreover, four thermal cycle maps constitute a partial Jupiter Cylindrical map spanning half the planet centered on the 7-degree north latitude hotspot region to assess lower-tropospheric properties such as phosphine and water abundance variation with longitude, and 5-micron variability of ammonia cloud opacity. The first two OAPels (JNTHRCYL03 and JNTHRCYL04), cover 130-200 degrees West longitude (System III) while the last two OAPels (JNTHRCYL06 and JNTHRCYL07) cover 240-360 degrees West longitude.

NIMS C9 Science Overview

Jupiter Science (continued)

Full spectra of the GRS and Hotspot/Plume feature are acquired during the JNGRSFUL01 and JNF EAFUL01 observations. Approximately a dozen "jailbar" full spectral samples are acquired of these targets at a low phase angle. Three real-time night-time hotmap spectra of the hotspot region are acquired for four NIMSels during OAPels JNRTHOTS01, JNRTHOTS02 and JNRTHOTS03, longitudes sampled are approximately 0, 125 and 280 degrees West longitude.

Aurora are the subject of 15 OAPels, encompassing both real-time and recorded spectra and recorded maps. NIMS takes part in the FPSG aurora campaign B, acquiring a map at the Southern auroral region (55 degrees South, approximately 310 degrees West) at the beginning and end of the campaign (OAPels JNAUCAMB01-02) and 5 real-time, 4-NIMSel spectra at various longitudes during the campaign (OAPels JNAURRTB01-05). Additional real-time spectra of the Southern auroral region at 310, 345, 45 and 210 degrees West longitude are acquired in OAPels JNSRTAUR01-03 and 06. Finally, four real-time spectral observations are acquired in ride-along with UVS (OAPels JNAURMAP01-03 and JNAURVAR01). The last of these (JNAURVAR01) occurs during the FPSG campaign A, and targets the Io fluxtube, searching for short-term variability.

Finally, nearly pole-to-pole limb views of Jupiter at 145 and 156 degrees phase angles are acquired amongst OAPels JNGRS14501, JNF EA14503, JNSOU14501, JNNOR14501, JNEQU14501 (for 145 degrees phase) and JNGRS15601, JNSOU15601 and JNNOR15601 (for 156 degrees phase).

Ring Science

There is one NIMS Ring observation in C9. This observation is different from previous ring observations in that NIMS stares at the same location for 4 Rims instead of scanning across the ring area. The objective is to add the spectra to increase the signal-to-noise ratio.

Calibration

There are nine NIMS calibration observations in C9: two starcals, three darkcals, two RCT cals, one PCT Cal and one OPCAL. The starcals (STRCAL) looks at the star Vega. The darkcal observations (DARK) measure dark levels in three gain states. The RCT cals (RCTRLT) calibrate NIMS in the thermal bands. The PCT cal (PCTCAL) calibrates NIMS in the visible bands. The OPCAL calibrates the NIMS grating. The NIMS C9 PCT calibration takes place during the PCT-CAL science turn when the spacecraft sun angle is zero degrees.

NIMS C9 Science Overview

Early Data Return

There are 19 realtime NIMS observations in C9: 8 Jupiter Aurora observations (SRTAUR, AURMAP and AURVAR), 3 Jupiter Hotspot observations (RTHOTS), 2 Europa observations (RTECLI01-03), 2 Ganymede observations (RTSULC and RTGLOB), 1 PCT calibration, 2 RCT calibrations, and 1 OPCAL. The times for when these realtime observations will be returned can be found on page 1-05 of the NIMS Guide, but these observations are subject to buffer dumps to tape.

C9 Playback

C9 playback is split into three passes, but with only two complete passes through the tape. There are also three Record During Cruise sections where data taken during Cruise are recorded over data that have already been played back.

C9 Time-Ordered Listing

OAPEL	Start (UTC)	End (UTC)	Duration
C9NNCHOPON01-	97-176/05:12:27	97-176/05:22:34	000/00:10:06
C9CNGLOBAL01-	97-176/06:22:13	97-176/07:26:26	000/01:04:13
C9CNANARR 01-	97-176/13:54:11	97-176/14:12:00	000/00:17:48
C9CNSKULD 01-	97-176/14:24:31	97-176/14:41:59	000/00:17:28
C9CNNOLAT 01-	97-176/14:56:52	97-176/15:11:00	000/00:14:07
C9CNVALSPC01-	97-176/15:14:04	97-176/15:39:00	000/00:24:56
C9CNVALHAL01-	97-176/17:46:44	97-176/18:21:00	000/00:34:15
C9HNDARK__01-	97-176/18:20:57	97-176/18:26:10	000/00:05:13
C9JNSRTAUR01-	97-176/21:31:12	97-176/21:40:18	000/00:09:06
C9JNSRTAUR02-	97-176/21:47:23	97-176/21:56:29	000/00:09:06
C9JNRTHOTS01-	97-176/22:04:34	97-176/22:11:03	000/00:06:28
C9JNSRTAUR03-	97-176/22:17:43	97-176/22:26:49	000/00:09:06
C9JNRTHOTS02-	97-177/01:34:53	97-177/01:40:03	000/00:05:10
C9JNSRTAUR06-	97-177/03:27:07	97-177/03:36:13	000/00:09:06
C9JNRTHOTS03-	97-177/05:52:43	97-177/05:58:03	000/00:05:20
C9JNAURMAP01+	97-177/07:33:50	97-177/07:52:02	000/00:18:12
C9NNRELOAD01-	97-177/11:21:20	97-177/11:31:26	000/00:10:06
C9GNGLOBAL01-	97-177/11:47:37	97-177/12:40:12	000/00:52:34
C9JNAURMAP02+	97-177/13:20:38	97-177/13:53:00	000/00:32:21
C9ENCLIPSE01-	97-177/15:55:20	97-177/16:06:28	000/00:11:07
C9ENRTECLI01-	97-177/16:06:28	97-177/16:11:31	000/00:05:03
C9HNDARK__02-	97-177/16:35:47	97-177/16:41:51	000/00:06:04
C9GNDRKLIT01-	97-177/16:47:55	97-177/17:22:18	000/00:34:22
C9GNBRILED01-	97-177/17:22:18	97-177/17:39:29	000/00:17:11
C9GNRTSULC01+	97-177/17:55:00	97-177/17:57:00	000/00:02:00
C9ENCLIPSE03-	97-177/18:45:12	97-177/18:55:19	000/00:10:06
C9ENRTECLI03-	97-177/18:55:19	97-177/19:01:23	000/00:06:04
C9NNRELOAD02-	97-177/20:07:06	97-177/20:17:13	000/00:10:06
C9JNGRS05101-	97-177/20:19:14	97-177/20:28:20	000/00:09:06
C9JNGRS05102-	97-177/20:39:28	97-177/20:48:34	000/00:09:06
C9JNGRS05103-	97-177/21:45:11	97-177/21:54:17	000/00:09:06
C9GNGLOBAL02-	97-177/21:54:17	97-177/22:19:34	000/00:25:16

C9 Time-Ordered Listing

OAPEL	Start (UTC)	End (UTC)	Duration
C9INCOOLCV01-	97-177/22:43:50	97-177/22:57:59	000/00:14:09
C9GNRTGLOB01+	97-177/23:20:00	97-177/23:22:00	000/00:02:00
C9INWARMCV01-	97-178/00:59:19	97-178/01:12:28	000/00:13:08
C9INWARMCV02-	97-178/01:38:45	97-178/01:50:53	000/00:12:08
C9NNRELOAD03-	97-178/05:53:33	97-178/06:03:40	000/00:10:06
C9JNGRS01102-	97-178/06:32:59	97-178/06:43:06	000/00:10:06
C9JNGRS01103-	97-178/08:19:09	97-178/08:28:15	000/00:09:06
C9INCHEMIS01-	97-178/10:31:36	97-178/10:42:00	000/00:10:23
C9JNWINDOW01-	97-178/12:08:40	97-178/16:34:36	000/04:25:55
C9NNRELOAD04-	97-178/14:12:02	97-178/14:17:05	000/00:05:03
C9JNFEEFUL01-	97-178/14:18:06	97-178/14:28:12	000/00:10:06
C9JNFEA01504-	97-178/15:31:54	97-178/15:41:00	000/00:09:06
C9JNSPOLEM04-	97-178/15:56:10	97-178/16:13:16	000/00:17:05
C9JNSPOLEM05-	97-178/16:44:42	97-178/17:03:55	000/00:19:12
C9JNGRS03901-	97-178/17:03:55	97-178/17:13:01	000/00:09:06
C9NNRELOAD05-	97-178/17:55:29	97-178/18:05:36	000/00:10:06
C9JNSPOLEM06-	97-178/18:05:36	97-178/18:24:48	000/00:19:12
C9JNGRSFUL01-	97-178/19:27:30	97-178/19:38:37	000/00:11:07
C9JNGRS03902-	97-178/20:07:56	97-178/20:14:00	000/00:06:04
C9JNGRS03903-	97-178/20:19:04	97-178/20:31:12	000/00:12:08
C9JNSPOLEM08-	97-178/20:41:18	97-178/20:54:27	000/00:13:08
C9NNRELOAD06-	97-178/21:16:42	97-178/21:26:48	000/00:10:06
C9INVOLCAN01-	97-178/21:31:52	97-178/21:38:56	000/00:07:04
C9INCHEMIS03-	97-178/22:26:28	97-178/22:36:34	000/00:10:06
C9JNFEA05701-	97-178/22:41:38	97-178/22:58:49	000/00:17:11
C9JNWINDOW02-	97-178/23:56:27	97-179/03:46:59	000/03:50:32
C9NNRELOAD07-	97-179/00:17:41	97-179/00:27:48	000/00:10:06
C9JNFEA05702-	97-179/00:28:48	97-179/00:36:54	000/00:08:05
C9JNFEA05703-	97-179/01:08:14	97-179/01:17:20	000/00:09:06
C9JNFEA05704-	97-179/01:57:47	97-179/02:06:15	000/00:08:28
C9INHRSPEC01-	97-179/02:28:07	97-179/02:35:12	000/00:07:04
C9INNSPEC 01-	97-179/02:41:16	97-179/02:47:20	000/00:06:04

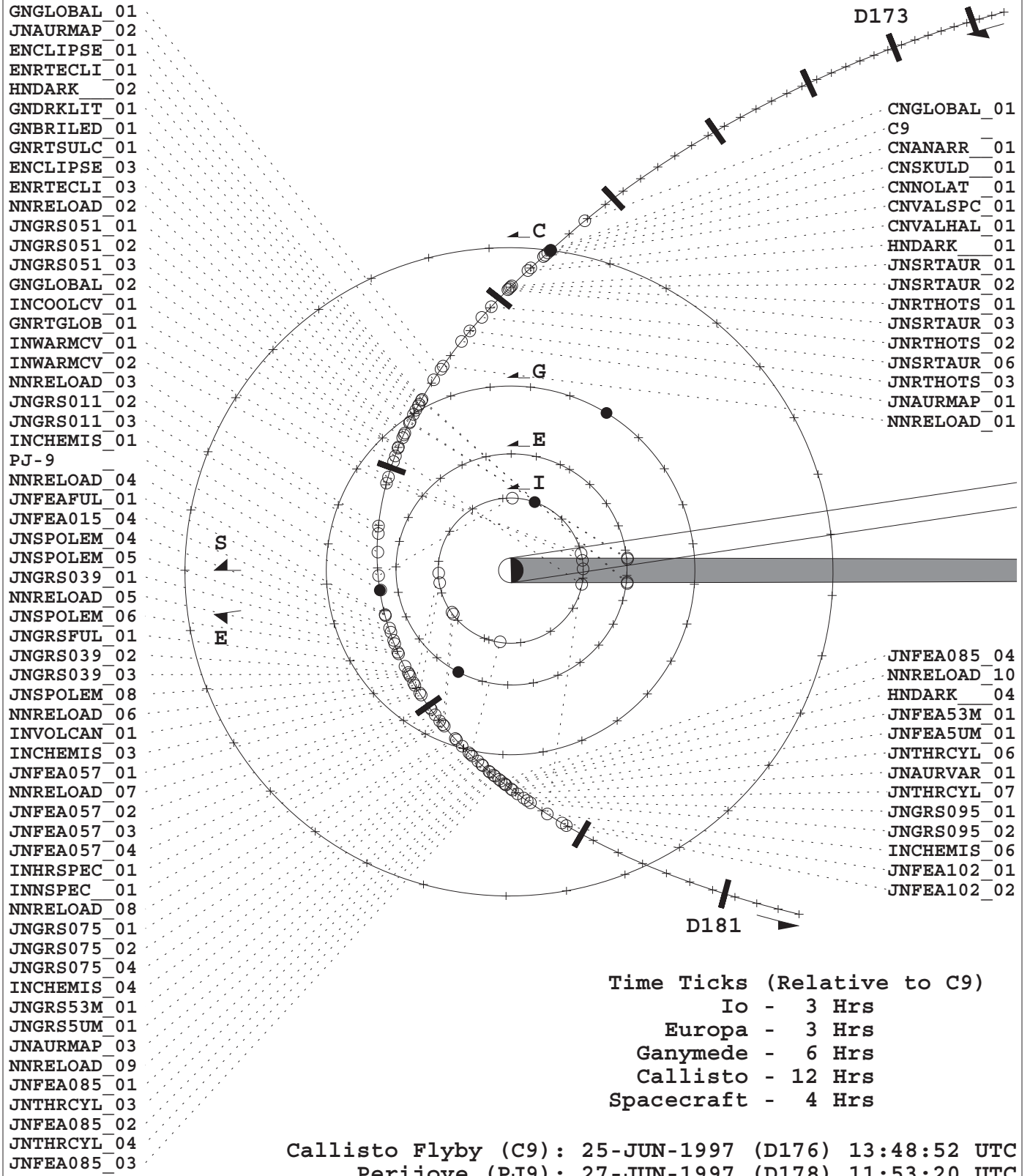
C9 Time-Ordered Listing

OAPEL	Start (UTC)	End (UTC)	Duration
C9NNRELOAD08-	97-179/04:28:26	97-179/04:38:33	000/00:10:06
C9JNGRS07501-	97-179/04:39:34	97-179/04:47:39	000/00:08:05
C9JNGRS07502-	97-179/05:34:10	97-179/05:42:15	000/00:08:05
C9JNGRS07504-	97-179/06:38:52	97-179/06:47:02	000/00:08:10
C9INCHEMIS04-	97-179/06:53:02	97-179/07:03:08	000/00:10:06
C9JNGRS53M01-	97-179/07:09:02	97-179/07:40:33	000/00:31:30
C9JNGRS5UM01-	97-179/08:00:46	97-179/08:14:56	000/00:14:09
C9JNAURMAP03+	97-179/08:37:10	97-179/08:45:16	000/00:08:05
C9NNRELOAD09-	97-179/08:46:16	97-179/08:56:23	000/00:10:06
C9JNFEA08501-	97-179/09:42:55	97-179/09:50:02	000/00:07:07
C9JNTHRCYL03-	97-179/09:52:02	97-179/10:14:03	000/00:22:00
C9JNFEA08502-	97-179/10:26:02	97-179/10:36:02	000/00:10:00
C9JNTHRCYL04-	97-179/10:37:02	97-179/10:59:02	000/00:22:00
C9JNFEA08503-	97-179/11:14:54	97-179/11:24:00	000/00:09:06
C9JNFEA08504-	97-179/11:34:02	97-179/11:42:02	000/00:08:00
C9NNRELOAD10-	97-179/12:04:27	97-179/12:14:34	000/00:10:06
C9HNDARK__04-	97-179/12:12:32	97-179/12:18:36	000/00:06:04
C9JNFEA53M01-	97-179/12:19:37	97-179/12:50:02	000/00:30:25
C9JNFEA5UM01-	97-179/13:04:06	97-179/13:18:16	000/00:14:09
C9JNTHRCYL06-	97-179/13:20:02	97-179/13:46:03	000/00:26:00
C9JNAURVAR01+	97-179/14:05:47	97-179/14:40:10	000/00:34:22
C9JNTHRCYL07-	97-179/15:00:23	97-179/15:34:46	000/00:34:22
C9JNGRS09501-	97-179/15:33:45	97-179/15:43:52	000/00:10:06
C9JNGRS09502-	97-179/16:03:04	97-179/16:16:13	000/00:13:08
C9INCHEMIS06-	97-179/18:37:46	97-179/18:47:53	000/00:10:06
C9JNWINDOW03-	97-179/20:06:45	97-179/21:29:40	000/01:22:54
C9JNFEA10201-	97-179/20:55:17	97-179/21:04:23	000/00:09:06
C9JNFEA10202-	97-179/21:35:44	97-179/21:48:52	000/00:13:08
C9NNCHOPOF01-	97-179/21:52:55	97-179/22:04:02	000/00:11:07
C9NNINERTL01-	97-185/12:43:48	97-185/13:34:21	000/00:50:33
C9NNCHOPON02-	97-185/13:39:25	97-185/13:49:31	000/00:10:06
C9JNAUCAMB01-	97-185/13:54:35	97-185/14:04:41	000/00:10:06

C9 Time-Ordered Listing

OAPEL	Start (UTC)	End (UTC)	Duration
C9JNAURRTB01-	97-185/14:09:45	97-185/14:18:51	000/00:09:06
C9HNSTRCAL01-	97-185/14:19:41	97-185/14:36:02	000/00:16:20
C9JNAURRTB02-	97-185/14:39:04	97-185/14:49:11	000/00:10:06
C9JNAURRTB03-	97-185/15:10:25	97-185/15:19:31	000/00:09:06
C9JNAURRTB04-	97-185/15:30:38	97-185/15:39:44	000/00:09:06
C9HNSTRCAL02-	97-185/15:40:35	97-185/15:56:55	000/00:16:20
C9JNAURRTB05-	97-185/16:00:58	97-185/16:10:04	000/00:09:06
C9JNAUCAMB02-	97-185/16:12:05	97-185/16:21:11	000/00:09:06
C9NNCHOPOF02-	97-185/16:22:12	97-185/16:33:19	000/00:11:07
C9NNCRUISE01-	97-185/16:23:13	97-185/16:38:23	000/00:15:10
C9NNRCTRLT01-	97-194/09:13:54	97-194/22:29:39	000/13:15:44
C9NNPCTRLT01-	97-195/04:04:56	97-195/11:28:49	000/07:23:52
C9NNRCTRLT02-	97-223/01:00:21	97-223/14:16:06	000/13:15:44
C9NNCHOPON04-	97-246/21:39:55	97-246/21:50:02	000/00:10:06
C9JNGRS15601-	97-246/22:01:09	97-246/22:07:13	000/00:06:04
C9JNSOU15601-	97-246/22:08:04	97-246/22:13:17	000/00:05:13
C9JNNOR15601-	97-246/22:14:08	97-246/22:19:21	000/00:05:13
C9RNMRING_01-	97-246/22:59:48	97-246/23:08:54	000/00:09:06
C9JNFEA15601-	97-246/23:35:11	97-246/23:41:15	000/00:06:04
C9NNCHOPOF04-	97-246/23:41:56	97-246/23:52:22	000/00:10:26
C9NNCHOPON05-	97-253/11:45:08	97-253/11:55:15	000/00:10:06
C9NNOPCAL_01-	97-253/12:04:21	97-253/12:27:36	000/00:23:15
C9JNFEA14501-	97-253/12:53:54	97-253/12:59:58	000/00:06:04
C9JNFEA14502-	97-253/13:01:59	97-253/13:08:03	000/00:06:04
C9JNGRS14501-	97-253/13:09:04	97-253/13:15:08	000/00:06:04
C9JNGRS14502-	97-253/13:17:09	97-253/13:23:13	000/00:06:04
C9JNFEA14503-	97-253/13:24:04	97-253/13:29:17	000/00:05:13
C9JNSOU14501-	97-253/13:29:17	97-253/13:33:20	000/00:04:02
C9JNNOR14501-	97-253/13:33:20	97-253/13:38:23	000/00:05:03
C9JNEQU14501-	97-253/13:38:23	97-253/13:43:26	000/00:05:03
C9NNCHOPOF05-	97-253/13:47:29	97-253/13:58:36	000/00:11:07

NIMS C9 OBSERVATIONS

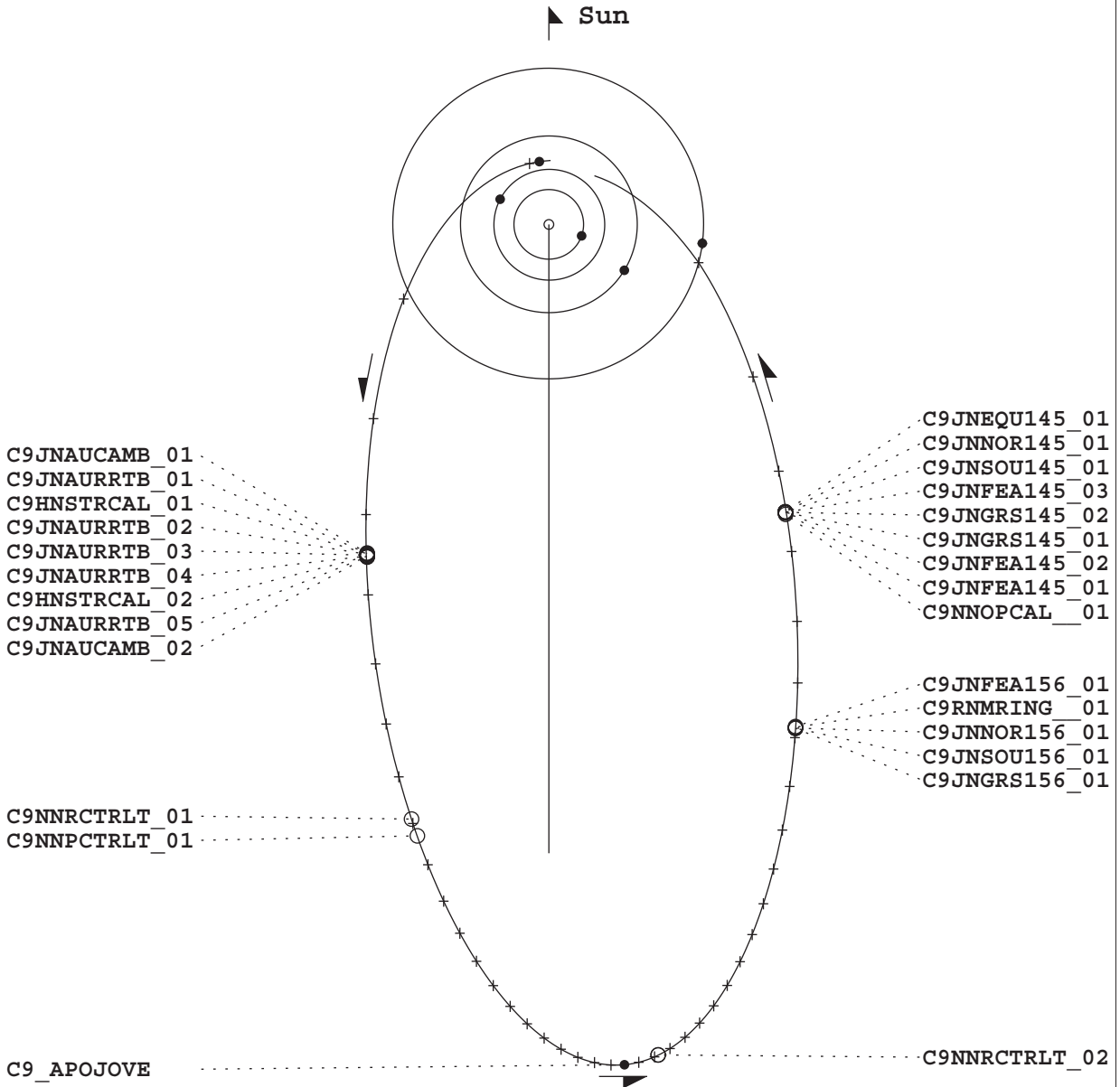


C9 North Trajectory Pole View

NIMS C9 CRUISE OBSERVATIONS

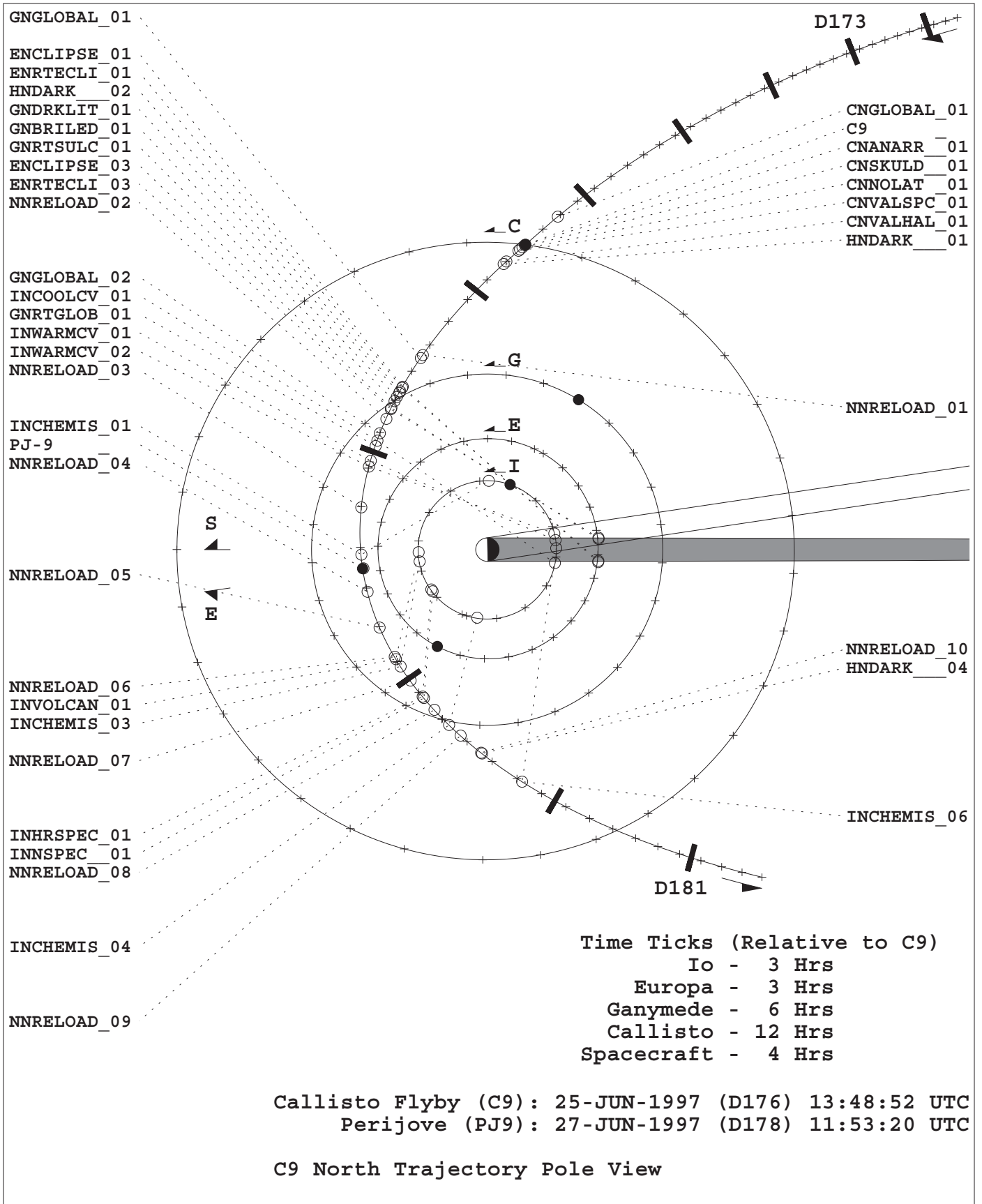
Callisto Flyby (C9): 25-JUN-1997 (D176) 13:48:52 UTC
 Perijove (PJ9): 27-JUN-1997 (D178) 11:53:20 UTC

Time Ticks (Relative to C9)
 Spacecraft - 2 Days

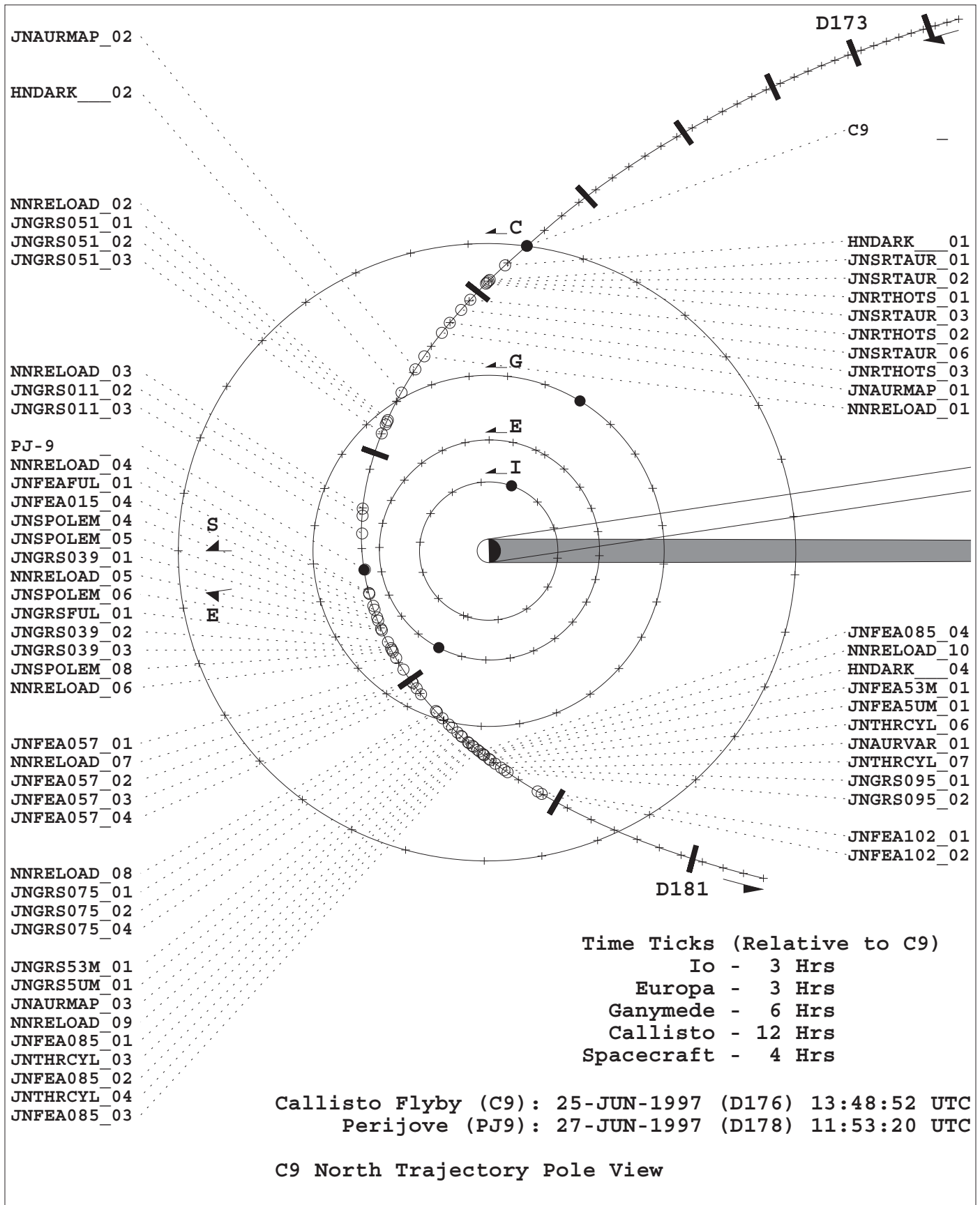


C9 North Trajectory Pole View, Perijove to Perijove

NIMS C9 SATELLITE OBSERVATIONS



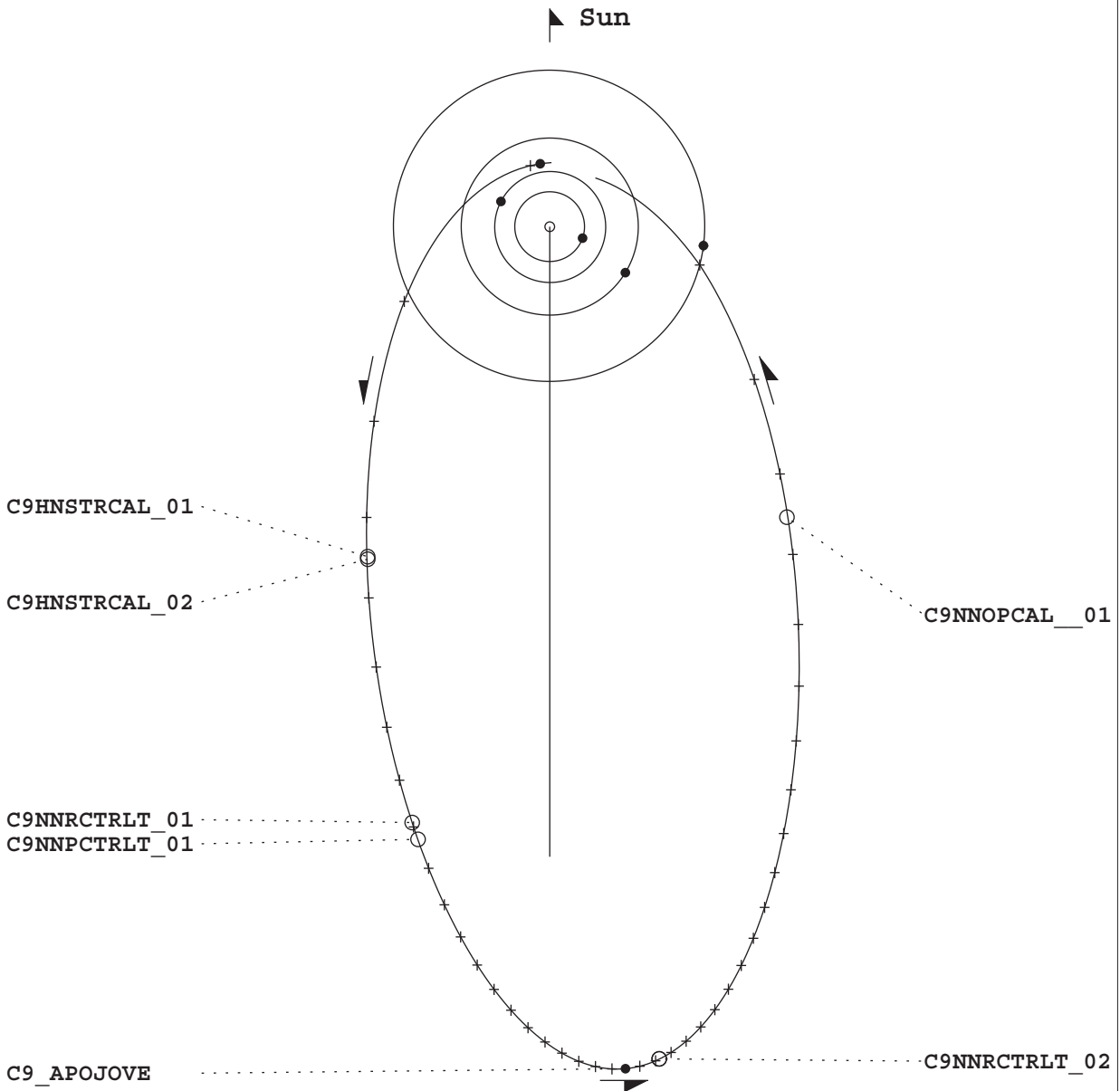
NIMS C9 JUPITER OBSERVATIONS



NIMS C9 CALIBRATIONS

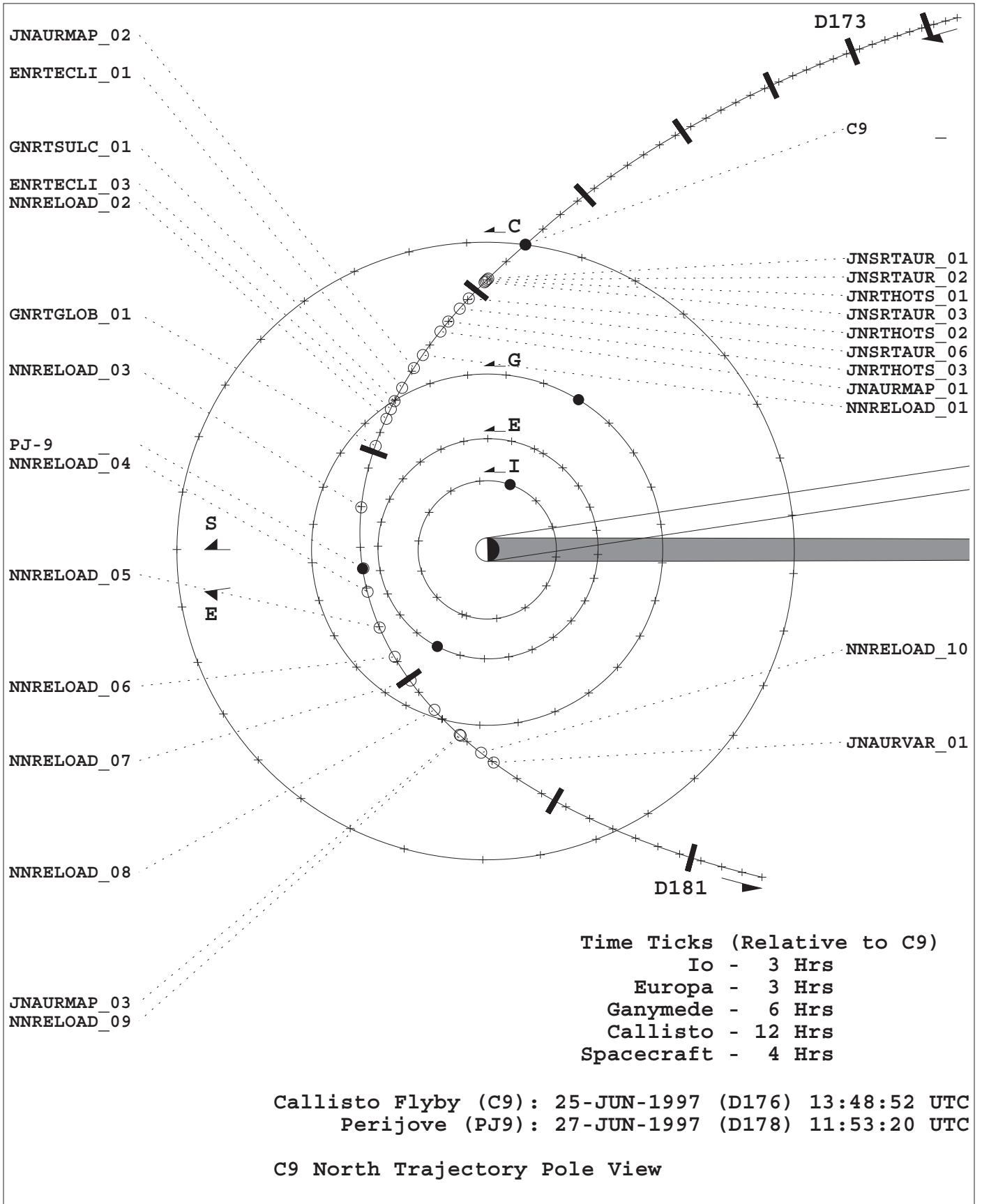
Callisto Flyby (C9): 25-JUN-1997 (D176) 13:48:52 UTC
Perijove (PJ9): 27-JUN-1997 (D178) 11:53:20 UTC

Time Ticks (Relative to C9)
Spacecraft - 2 Days



C9 North Trajectory Pole View, Perijove to Perijove

NIMS C9 RAM RELOADS



C9 NIMS INPUTS

Activity ID	Observation Title	NIMS Edit Table	NIMS PB Table	Mode	Gain	Grating start	Grating offset	Record format	PSID
C9NNCHOPON01	NIMS Chopper On								DA
C9CNGLOBAL01	CALLISTO GLOBAL COVERAGE	C9CLM243C	C9CLM228C	LM	4	0	4	LPU	DC
C9CNANARR 01	Anarr Crater Coverage	C9CLM442	C9CLM360	LM	4	0	4	MPW	DD
C9CNSKULLD 01	STUDY OF A BRIGHT CRATER	C9CLM243C	C9CLM228C	LM	4	0	4	LPU	DE
C9CNNOLAT 01	North Latitude Coverage	C9CLM243C	C9CLM228C	LM	4	0	4	LPU	DF
C9CNVALSPC01	Valhalla Spectral Scan	C9CLM243C	C9CLM228C	LM	4	0	4	LPU	DG
C9CNVALHAL01	Valhalla Multi-Ring Structure Obs	C9CLM243C	C9CLM228C	LM	4	0	4	LPU	DH
C9NHNDARK 01	NIMS Dark Observation	C9DRK252	C9DRK252	LM	4	0	4	LPU	DB
C9JNSRTAUR01	NIMS Jupiter Real-Time Aurora Obs	C9JLM442/MB	R/T	LM	4	0	4	R/T	FE
C9JNSRTAUR02	NIMS Jupiter Real-Time Aurora Obs	C9JLM442/MB	R/T	LM	4	0	4	R/T	FQ
C9JNRRTHOTS01	NIMS Real-Time Hotspot Obs	C9JLM442/MB	R/T	LM	4	0	4	R/T	MB
C9JNRRTHOTS02	NIMS Real-Time Hotspot Obs	C9JLM442/MB	R/T	LM	4	0	4	R/T	FU
C9JNRRTHOTS03	NIMS Real-Time Hotspot Obs	C9JLM442/MB	R/T	LM	4	0	4	R/T	MC
C9JNSRTAUR06	NIMS Jupiter Real-Time Aurora Obs	C9JLM442/MB	R/T	LM	4	0	4	R/T	DM
C9JNRRTHOTS03	NIMS Real-Time Hotspot Obs	C9JLM442/MB	R/T	LM	4	0	4	R/T	MD
C9JNAURMAP01	Jupiter UVS Ride RT	C9JLM442/MB	R/T	LM	4	0	4	R/T	EI
C9NNRELOAD01	NIMS Software Reload								EB
C9CNGLOBAL01	Global Surface Map	GLM243K	GLM228K	LM	3	0	4	LPU	DI
C9JNAURMAP02	Jupiter UVS Ride RT	C9JLM442/MB	R/T	LM	4	0	4	R/T	EO
C9ENCLIPSE01	Europa Eclipse part 1	C9EFM126B	C9EFM126B	FM	4	0	4	LPU	DJ
C9ENRTECLI01	NIMS Europa Real-Time Observation	C9EFM204/MB	R/T	FM	4	0	4	R/T	ME
C9NHNDARK 02	NIMS Dark Observation	C9DRK252	C9DRK252	LM	2	0	4	LPU	DK
C9GNDRKLI01	Dark and Light transition	C9GLM243K	C9GLM228K	LM	3	0	4	LPU	DL
C9GNBRILED01	Bright endmember lead hemisphere	C9GLM243K	C9GLM228K	LM	3	0	4	LPU	DN
C9GNRTSULC01	SSI Ride-along	C9GLM442/MB	R/T	LM	3	0	4	R/T	EQ
C9ENCLIPSE03	Europa Eclipse part 3	C9EFM126B	C9EFM126B	FM	4	0	4	LPU	DO
C9ENRTECLI03	NIMS Europa Real-Time Eclipse Obs	C9EFM204/MB	R/T	FM	4	0	4	R/T	EY
C9NNRELOAD02	NIMS Software Reload								EC
C9JNGRS05101	Jupiter Great Red Spot 51 degrees prt 1	C9JFT68C	C9JFT25A	SM	2	1	4	LPU	DP
C9JNGRS05102	Jupiter Great Red Spot 51 degrees prt 2	C9JFT68C	C9JFT25A	SM	2	1	4	LPU	DQ
C9JNGRS05103	Jupiter Great Red Spot 51 degrees prt 3	C9JFT68C	C9JFT25A	SM	2	1	4	LPU	DR
C9CNGLOBAL02	Global Surface Map	C9GLM243K	C9GLM228K	LM	4	0	4	LPU	DS
C9INCOOLCV01	NIMS Io Eclipse Observation (ingress)	C9B ISM68A	C9B ISM68A	SM	2	1	4	LPU	DT
C9GNRTGLOB01	SSI Ride-along	C9GLM442/MB	R/T	LM	4	0	4	R/T	ES
C9INWARMCV01	NIMS Io Eclipse Observation (egress)	C9B ISM68A	C9B ISM68A	SM	2	1	4	LPU	DU
C9INWARMCV02	NIMS Io Eclipse Obs. (post-egress)	C9B ISM68A	C9B ISM68A	SM	2	1	4	LPU	DV
C9NNRELOAD03	NIMS Software Reload								ED
C9JNGRS01102	Jupiter Great Red Spot 11 degrees prt 2	C9JFT68C	C9JFT68C	SM	2	1	4	LPU	DX
C9JNGRS01103	Jupiter Great Red Spot 11 degrees prt 3	C9JFT68C	C9JFT68C	SM	2	1	4	LPU	DY
C9INCHEMIS01	MONITORING OF IO'S DAYSIDE	C9ILM243C	C9ILM228C	LM	2	0	4	LPU	EA
C9JNWINDOW01	Jupiter Feature Track Window								
C9NNRELOAD04	NIMS Software Reload								EE
C9JNFEAFUL01	Jupiter Ftr Trk Full Spectra	C9JFE253A	C9JFE253A	LM	2	0	4	LPU	EG

C9 NIMS INPUTS

Activity ID	Observation Title	NIMS Edit Table	NIMS PB Table	Mode	Gain	Grating start	Grating offset	Record format	PSID
C9JNFEA01504-	Jupiter Ftr Trk 15 degrees Phase part 4	C9JFT68C	C9JFT68C	SM	2	1	4	LPU	EK
C9JNSPOLEM04-	Jupiter South Pole Map part 4	C9JFT68C	C9JFT68C	SM	2	1	4	LPU	EL
C9JNSPOLEM05-	Jupiter South Pole Map part 5	C9JFT68C	C9JFT68C	SM	2	1	4	LPU	EM
C9JNGRS03901-	Jupiter Great Red Spot 39 degrees prt 1	C9JFT68C	C9JFT68C	SM	2	1	4	LPU	EN
C9NNRELOAD005-	NIMS Software Reload								EF
C9JNSPOLEM06-	Jupiter South Pole Map part 6	C9JFT68C	C9JFT68C	SM	2	1	4	LPU	EO
C9JNGRSFUL01-	Jupiter Great Red Spot Full-Spectra	C9JFE442A	C9JFE360A	LM	2	0	4	MPW	ET
C9JNGRS03902-	Jupiter Great Red Spot 39 degrees prt 2	C9JFT68C	C9JFT68C	SM	2	1	4	LPU	EU
C9JNGRS03903-	Jupiter Great Red Spot 39 degrees prt 3	C9JFT68C	C9JFT68C	SM	2	1	4	LPU	EV
C9JNSPOLEM08-	Jupiter South Pole Map part 8	C9JFT68C	C9JFT68C	SM	2	1	4	LPU	EX
C9NNRELOAD006-	NIMS Software Reload								EG
C9INVCAN01-	MONITORING OF SELECTED VOLCANIC REGIONS	C9ILMDK243D	C9ILMDK228D	LM	4	0	4	LPU	EZ
C9INVCHEMIS03-	MONITORING OF IO'S DAYSIDE	C9ILM243C	C9ILM228C	LM	2	0		LPU	FB
C9JNFEA05701-	Jupiter Ftr Trk 57 degrees Phase part	C9JFT68C	JFT68C	SM	2	1	4	LPU	FC
C9JNWINDOW02-	Jupiter Feature Track Window								FA
C9NNRELOAD007-	NIMS Software Reload								EH
C9JNFEA05702-	Jupiter Ftr Trk 57 degrees Phase part 2	C9JFT68C	C9JFT68C	SM	2	1	4	LPU	FF
C9JNFEA05703-	Jupiter Ftr Trk 57 degrees Phase part 3	C9JFT68C	C9JFT68C	SM	2	1	4	LPU	FG
C9JNFEA05704-	Jupiter Ftr Trk 57 degrees Phase part 4	C9JFT68C	C9JFT68C	SM	2	1	4	LPU	FH
C9INHRSPEC01-	HIGH SPATIAL & SPECTRAL OBS. OF IO	C9ILM442	C9ILM360	LM	2	0	4	MPW	FI
C9INNSPEC 01-	NIGHTSIDE SPECTRA AT HIGH RESOLUTION	C9ILM442	C9ILM360	LM	4	0	4	MPW	FJ
C9NNRELOAD008-	NIMS Software Reload								EI
C9JNGRS07501-	Jupiter Great Red Spot 75 degrees prt 1	C9JFT68B	C9 BJFT40A	SM	2	1	4	LPU	FK
C9JNGRS07502-	Jupiter Great Red Spot 75 degrees prt 2	C9JFT68B	C9 BJFT40A	SM	2	1	4	LPU	FL
C9JNGRS07503-	Jupiter Great Red Spot 75 degrees prt 3	C9JFT68B	C9 BJFT40A	SM	2	1	4	LPU	FM
C9JNGRS07504-	Jupiter Great Red Spot 75 degrees prt 4	C9JFT68B	C9 BJFT40A	SM	2	1	4	LPU	FN
C9INVCHEMIS04-	Monitoring of Io's Dayside and Nightside	C9ILM243C	C9ILM228C	LM	2	0	4	LPU	FO
C9JNGRS53M01-	Jupiter Great Red Spot 5 and 3 Microns	C9J35157	C9J35157	LM	4	0	4	LPU	FP
C9JNGRS5UM01-	Jupiter Great Red Spot 5 Micron Map	C9J35157	C9J35157	LM	4	0	4	LPU	FR
C9JNAURMAP03+	Jupiter UVS Ride RT	C9JLM442/MB	R/T	LM	4	0		R/T	EK
C9NNRELOAD009-	NIMS Software Reload								EJ
C9JNFEA08501-	Jupiter Ftr Trk 85 degrees Phase part 1	C9JFT68B	C9 BJFT40A	SM	2	1	4	LPU	FS
C9JNTHRCYL03-	Jupiter Thermal Cylindrical Map part 3	C9J5M253B	C9 BJ5M127B	LM	4	0	4	LPU	FT
C9JNFEA08502-	Jupiter Ftr Trk 85 degrees Phase part 2	C9JFT68B	C9 BJFT40A	SM	2	1	4	LPU	FV
C9JNTHRCYL04-	Jupiter Thermal Cylindrical Map part 4	C9J5M253B	C9 BJ5M127B	LM	4	0	4	LPU	FW
C9JNFEA08503-	Jupiter Ftr Trk 85 degrees Phase part 3	C9JFT68B	C9 BJFT40A	SM	2	1	4	LPU	FY
C9JNFEA08504-	Jupiter Ftr Trk 85 degrees Phase part 4	C9JFT68B	C9 BJFT40A	SM	2	1	4	LPU	FZ
C9NNRELOAD010-	NIMS Software Reload								EK
C9NHNDARK 04-	NIMS Dark Observation								LB
C9JNFEA53M01-	Jupiter Ftr Trk 5 and 3 Micron Map	C9J35157	C9J35157	LM	4	0	4	LPU	LC
C9JNFEA5UM01-	Jupiter Ftr Trk 5 Micron Map	C9J35157	C9J35157	LM	4	0	4	LPU	LD
C9JNTHRCYL06-	Jupiter Thermal Cylindrical Map part 6	C9J5M253B	C9 BJ5M127B	LM	4	0	4	LPU	LE
C9JNAURVAR01+	Jupiter UVS Ride RT	C9JLM442/MB	R/T	LM	4	0	4	R/T	EM
C9JNTHRCYL07-	Jupiter Thermal Cylindrical Map part 7	C9J5M253B	C9 BJ5M127B	LM	4	0	4	LPU	LF
C9JNGRS09501-	Jupiter Great Red Spot 95 degrees prt 1	C9JFT68C	C9JFT68C	SM	2	1	4	LPU	LG

C9 NIMS INPUTS

Activity ID	Observation Title	NIMS Edit Table	NIMS PB Table	Mode	Gain	Grating start	Grating offset	Record format	PSID
C9JNGRS09502	Jupiter Great Red Spot 95 degrees prt 2	C9JFT68C	C9JFT68C	SM	2	1	4	LPU	LI
C9INCHEMIS06	Monitoring of Io's Dayside and Nightside	C9ILM243C	C9ILM228C	LM	2	0	4	LPU	LK
C9JWINDCW03	Jupiter Feature Track Window								ED
C9JNFEA10201	Jupiter Ftr Trk 102 deg Phase part 1	C9JFT68C	C9JFT68C	SM	2	1	4	LPU	LQ
C9JNFEA10202	Jupiter Ftr Trk 102 deg Phase part 2	C9JFT68C	C9JFT68C	SM	2	1	4	LPU	LR
C9NNCHOP0F01	NIMS Chopper Off								EE
C9NNCHOP0N02	NIMS Chopper On								DZ
C9JNAUCAMB01	Auroral Campaign B Map No. 1	C9B JAU126A	C9B JAU126A	FM	4	0	4	LPU	MR
C9JNAURTB01	Auroral Campaign B Real-Time No. 1	C9JLM442/MB	R/T	LM	4	0	4	R/T	MS
C9HNSTRCAL01	Star Calibration	C9SXM17/MB	R/T	XM	4	0-11	4	R/T	KK
C9JNAURTB02	Auroral Campaign B Real-Time No. 2	C9JLM442/MB	R/T	LM	4	0	4	R/T	MU
C9JNAURTB03	Auroral Campaign B Real-Time No. 3	C9JLM442/MB	R/T	LM	4	0	4	R/T	MV
C9JNAURTB04	Auroral Campaign B Real-Time No. 4	C9JLM442/MB	R/T	LM	4	0	4	R/T	MW
C9HNSTRCAL02	Star Calibration	C9SXM17/MB	R/T	XM	4	12-23	4	R/T	KC
C9JNAURTB05	Auroral Campaign B Real-Time No. 5	C9JLM442/MB	R/T	LM	4	0	4	R/T	MX
C9JNAUCAMB02	Auroral Campaign B Map No. 2	C9B JAU126A	C9B JAU126A	FM	4	0	4	LPU	MT
C9NNCHOP0F02	NIMS Chopper Off								FZ
C9NNRCTRLT01	NIMS RCT Real Time	C9RCT252	R/T	LM	1	0	4	R/T	LT
C9NNPCTRLT01	NIMS PCT Calibration	C9PCT252	R/T	LM	4	0	4	R/T	LU
C9NNRCTRLT02	NIMS RCT Real-Time Calibration	C9RCT252	R/T	LM	1	0	4	R/T	LW
C9NNCHOP0N04	NIMS Chopper On								EE
C9JNGRS15601	Jupiter Great Red Spot 156 Degrees	C9JFT68C	C9JFT68C	SM	2	1	4	LPU	LJ
C9JNSOU15601	Jupiter Southern Hemisphere 156 Degrees	C9JFT68C	C9JFT68C	SM	2	1	4	LPU	LL
C9JNNOR15601	Jupiter Northern Hemisphere 156 Degrees	C9JFT68C	C9JFT68C	SM	2	1	4	LPU	LM
C9RNRING_01	Sit and Stare Ring Observation	C9RFM126B	C9RFM126B	FM	4	0	4	LPU	DZ
C9JNFEA15601	Jupiter Feature 156 Degrees Phase	C9JFT68C	C9JFT68C	SM	2	1	4	LPU	LO
C9NNCHOP0F04	NIMS Chopper Off								LV
C9NNCHOP0N05	NIMS Chopper On								FA
C9NNOPCAL 01	NIMS OPCAL	C9OPCAL48	R/T	LM	4	0	4	R/T	DA
C9JNFEA14501	Jupiter Feature 145 Degrees Phase prt 1	C9JFT68C	C9JFT68C	SM	2	1	4	LPU	LP
C9JNFEA14502	Jupiter Feature 145 Degrees Phase prt 2	C9JFT68C	C9JFT68C	SM	2	1	4	LPU	LS
C9JNGRS14501	Jupiter GRS 145 Degree Phase prt 1	C9JFT68C	C9JFT68C	SM	2	1	4	LPU	FB
C9JNGRS14502	Jupiter GRS 145 Degrees Phase prt 2	C9JFT68C	C9JFT68C	SM	2	1	4	LPU	LU
C9JNFEA14503	Jupiter Feature 145 Degrees Phase prt 3	C9JFT68C	C9JFT68C	SM	2	1	4	LPU	MG
C9JNSOU14501	Jupiter South Hemisphere 145 Deg Phase	C9JFT68C	C9JFT68C	SM	2	1	4	LPU	MH
C9JNNOR14501	Jupiter North Hemisphere 145 Deg Phase	C9JFT68C	C9JFT68C	SM	2	1	4	LPU	LZ
C9JNEQU14501	Jupiter Equatorial 145 Degrees Phase	C9JFT68C	C9JFT68C	SM	2	1	4	LPU	MA
C9NNCHOP0F05	NIMS Chopper Off								LX

C9 NIMS Resources

Activity ID	Mode	Record format	Tracks	Ticks	Number Wavelengths Returned	Record Time (sec)	Playback Time (sec.)	Selected		Total Bits of		Mode
								sBOT (MBITS)	Bits of Tape	Tape	BOT (Mbit)	
C9CNGLOBAL01-	LM	LPU	0.0676	472	228	2004	2000	12.34		12.36		8.667
C9CNANARR 01-	LM	MPW	0.0764	533	360	604	600	6.91		6.96		8.667
C9CNSKULD 01-	LM	LPU	0.0206	144	228	604	600	3.70		3.73		8.667
C9CNNOLAT 01-	LM	LPU	0.0221	154	228	649	645	3.98		4.00		8.667
C9CNVALSPC01-	LM	LPU	0.0139	97	228	404	400	2.47		2.49		8.667
C9CNVALHAL01-	LM	LPU	0.0581	405	228	1720	1716	10.58		10.61		8.667
C9HNDARK 01	LM	LPU	0.0024	17	252	64	60	0.37		0.39		8.667
C9JNSRTAUR01-	LM	R/T			408							
C9JNSRTAUR02-	LM	R/T			408							
C9JNRTHOTS01-	LM	R/T			408							
C9JNSRTAUR03-	LM	R/T			408							
C9JNRTHOTS02-	LM	R/T			408							
C9JNSRTAUR06-	LM	R/T			408							
C9JNRTHOTS03-	LM	R/T			408							
C9JNAURMAP03+	LM	R/T			408							
C9CNGLOBAL01-	LM	LPU	0.0973	679	228	2887	2883	17.78		17.81		8.667
C9JNAURMAP02+	LM	R/T			408							
C9ENCLIPSE01-	FM	LPU	0.0000	75	126	312	308	1.90		1.92		4.333
C9ENRTECLI01-	FM	R/T			204							
C9HNDARK 02	LM	LPU	0.0024	17	252	64	60	0.37		0.39		8.667
C9GNDRKLI01-	LM	LPU	0.0592	413	228	1753	1749	10.79		10.81		8.667
C9GNBRILED01-	LM	LPU	0.0232	162	228	682	678	4.18		4.21		8.667
C9GNRTSULC01+	LM	R/T			408							
C9ENCLIPSE03-	FM	LPU	0.0000	75	126	312	308	1.90		1.92		4.333
C9ENRTECLI03-	FM	R/T			204							
C9JNGRS05101-	SM	LPU	0.0071	49	25	202	198	1.22		1.25		2.33
C9JNGRS05102-	SM	LPU	0.0071	49	25	202	198	1.22		1.25		2.33
C9JNGRS05103-	SM	LPU	0.0071	50	25	203	199	1.23		1.25		2.33
C9CNGLOBAL02-	LM	LPU	0.0409	286	228	1210	1206	7.44		7.46		8.667
C9INCOOLCV01-	SM	LPU	0.0180	126	68	527	523	3.23		3.25		2.33
C9GNRTGLOB01+	LM	R/T			408							
C9INWARMCV01-	SM	LPU	0.0163	114	68	476	472	2.91		2.94		2.33
C9INWARMCV02-	SM	LPU	0.0104	73	68	302	298	1.84		1.86		2.33
C9JNGRS01102-	SM	LPU	0.0071	50	68	204	200	1.23		1.26		2.33
C9JNGRS01103-	SM	LPU	0.0071	50	68	204	200	1.23		1.26		2.33
C9INCHEMIS01-	LM	LPU	0.0045	31	228	125	121	0.75		0.77		8.667
C9JNFEEFUL01-	LM	LPU	0.0091	63	253	262	258	1.59		1.62		8.667
C9JNFEA01504-	SM	LPU	0.0071	50	68	204	200	1.23		1.26		2.33
C9JNSPOLEW04-	SM	LPU	0.0135	94	68	393	389	2.40		2.42		2.33

C9 NIMS Resources

Activity ID	Mode	Record format	Tracks	Ticks	Number Wavelengths Returned	Record Time (sec)	Playback Time (sec.)	Selected		Total Bits of		Mode
								sBOT (MBITS)	Bits of Tape	Tape	BOT (Mbit)	
C9JNSPOLEM05-	SM	LPU	0.0135	94	68	393	389	2.40	2.42	2.42	2.33	2.33
C9JNGRS03901-	SM	LPU	0.0071	50	68	204	200	1.23	1.26	1.26	2.33	2.33
C9JNSPOLEM06-	SM	LPU	0.0135	94	68	393	389	2.40	2.42	2.42	2.33	2.33
C9JNGRSFUL01-	LM	MPW	0.0334	233	360	262	258	2.97	3.02	3.02	8.667	8.667
C9JNGRS03902-	SM	LPU	0.0071	50	68	204	200	1.23	1.26	1.26	2.33	2.33
C9JNGRS03903-	SM	LPU	0.0071	50	68	204	200	1.23	1.26	1.26	2.33	2.33
C9JNSPOLEM08-	SM	LPU	0.0135	94	68	393	389	2.40	2.42	2.42	2.33	2.33
C9INVOLCAN01-	LM	LPU	0.0035	25	228	97	93	0.57	0.60	0.60	8.667	8.667
C9INCHEMIS03-	LM	LPU	0.0071	50	228	204	200	1.23	1.26	1.26	8.667	8.667
C9JNFEA05701-	SM	LPU	0.0236	165	68	694	690	4.26	4.28	4.28	2.33	2.33
C9JNFEA05702-	SM	LPU	0.0071	50	68	204	200	1.23	1.26	1.26	2.33	2.33
C9JNFEA05703-	SM	LPU	0.0071	50	68	204	200	1.23	1.26	1.26	2.33	2.33
C9JNFEA05704-	SM	LPU	0.0073	51	68	209	205	1.26	1.29	1.29	2.33	2.33
C9JNHRSPEC01-	LM	MPW	0.0199	139	360	155	151	1.74	1.79	1.79	8.667	8.667
C9INNSPEC 01-	LM	MPW	0.0161	112	360	125	121	1.39	1.44	1.44	8.667	8.667
C9JNGRS07501-	SM	LPU	0.0071	50	40	204	200	1.23	1.26	1.26	2.33	2.33
C9JNGRS07502-	SM	LPU	0.0071	50	40	204	200	1.23	1.26	1.26	2.33	2.33
C9JNGRS07504-	SM	LPU	0.0105	73	40	304	200	1.23	1.88	1.88	2.33	2.33
C9INCHEMIS04-	LM	LPU	0.0105	73	228	304	300	1.85	1.88	1.88	8.667	8.667
C9JNGRS53M01-	LM	LPU	0.0188	131	157	550	546	3.37	3.39	3.39	8.667	8.667
C9JNGRS5UM01-	LM	LPU	0.0188	131	157	550	546	3.37	3.39	3.39	8.667	8.667
C9JNAURMAP04+	LM	R/T										
C9JNFEA08501-	SM	LPU	0.0071	50	40	204	200	1.23	1.26	1.26	2.33	2.33
C9JNTHRCYL03-	LM	LPU	0.0404	282	127	1195	1191	7.35	7.37	7.37	8.667	8.667
C9JNFEA08502-	SM	LPU	0.0071	50	40	204	200	1.23	1.26	1.26	2.33	2.33
C9JNTHRCYL04-	LM	LPU	0.0404	282	127	1195	1191	7.35	7.37	7.37	8.667	8.667
C9JNFEA08503-	SM	LPU	0.0071	50	40	204	200	1.23	1.26	1.26	2.33	2.33
C9JNFEA08504-	SM	LPU	0.0071	50	40	204	200	1.23	1.26	1.26	2.33	2.33
C9HNDARK 04	LM	LPU	0.0024	17	252	64	60	0.37	0.39	0.39	8.667	8.667
C9JNFEA53M01-	LM	LPU	0.0243	170	157	715	711	4.39	4.41	4.41	8.667	8.667
C9JNFEA5UM01-	LM	LPU	0.0188	131	157	550	546	3.37	3.39	3.39	8.667	8.667
C9JNTHRCYL06-	LM	LPU	0.0453	316	127	1339	1335	8.23	8.26	8.26	8.667	8.667
C9JNAURVAR01+	LM	R/T										
C9JNTHRCYL07-	LM	LPU	0.0438	306	127	1295	1291	7.96	7.99	7.99	8.667	8.667
C9JNGRS09501-	SM	LPU	0.0071	50	68	204	200	1.23	1.26	1.26	2.33	2.33
C9JNGRS09502-	SM	LPU	0.0134	94	68	391	387	2.39	2.41	2.41	2.33	2.33
C9INCHEMIS06-	LM	LPU	0.0078	55	228	224	220	1.36	1.38	1.38	8.667	8.667
C9JNFEA10201-	SM	LPU	0.0071	50	68	204	200	1.23	1.26	1.26	2.33	2.33
C9JNFEA10202-	SM	LPU	0.0071	50	68	204	200	1.23	1.26	1.26	2.33	2.33

C9 NIMS Resources

Activity ID	Mode	Record format	Tracks	Ticks	Number Wavelengths Returned	Record Time (sec)	Playback Time (sec.)	Selected		Total Bits of Tape	Mode
								Bits of Tape sBOT (Mbits)	BOT (Mbit)		
C9JNAUCAMB01	FM	LPU	0.0108	75	126	312	308	1.90	1.92	4.333	
C9JNAURRTB01	LM	R/T		408							
C9HNSTRCAL01-	LM	R/T		17							
C9JNAURRTB02	LM	R/T		408							
C9JNAURRTB03	LM	R/T		408							
C9JNAURRTB04	LM	R/T		408							
C9HNSTRCAL02-	LM	R/T		17							
C9JNAURRTB05	LM	R/T		408							
C9JNAUCAMB02	FM	LPU	0.0108	75	126	312	308	1.90	1.92	4.333	
C9NNRCTRLT01-	LM	R/T		252							
C9NNPCTRLT01-	LM	R/T		252							
C9NNRCTRLT02-	LM	R/T		252							
C9JNGRS15601-	SM	LPU	0.0021	15	68	54	50	0.31	0.33	2.33	
C9JNSOU15601-	SM	LPU	0.0021	15	68	54	50	0.31	0.33	2.33	
C9JNNOR15601-	SM	LPU	0.0021	15	68	54	50	0.31	0.33	2.33	
C9RNMRRING 01-	FM	LPU	0.0085	59	126	244	240	1.48	1.50	4.333	
C9JNFEA15601-	SM	LPU	0.0021	15	68	54	50	0.31	0.33	2.33	
C9NNOPCAL 01-	LM	R/T									
C9JNFEA14501-	SM	LPU	0.0021	15	68	54	50	0.31	0.33	2.33	
C9JNFEA14502-	SM	LPU	0.0021	15	68	54	50	0.31	0.33	2.33	
C9JNGRS14501-	SM	LPU	0.0021	15	68	54	50	0.31	0.33	2.33	
C9JNGRS14502-	SM	LPU	0.0021	15	68	54	50	0.31	0.33	2.33	
C9JNFEA14503-	SM	LPU	0.0021	15	68	54	50	0.31	0.33	2.33	
C9JNSOU14501-	SM	LPU	0.0021	15	68	54	50	0.31	0.33	2.33	
C9JNNOR14501-	SM	LPU	0.0021	15	68	54	50	0.31	0.33	2.33	
C9JNEQU14501-	SM	LPU	0.0021	15	68	54	50	0.31	0.33	2.33	
Total			1.2004	8525							
Allocation			1.2225	7767							
Overage			-0.0221	758							

C9 NIMS Resources

Activity ID	Mode	Record format	Tracks	Ticks	Number Wavelengths Returned	Record Time (sec)	Playback Time (sec.)	Selected		Mode
								Bits of Tape sBOT (Mbits)	Total Bits of Tape BOT (Mbit)	
C9CNGLOBAL01-	LM	LPU	0.0676	472	228	2004	2000	12.34	12.36	8.667
C9CNANARR 01-	LM	MPW	0.0764	533	360	604	600	6.91	6.96	8.667
C9CNSKULD 01-	LM	LPU	0.0206	144	228	604	600	3.70	3.73	8.667
C9CNNOLAT 01-	LM	LPU	0.0221	154	228	649	645	3.98	4.00	8.667
C9CNVALSPC01-	LM	LPU	0.0139	97	228	404	400	2.47	2.49	8.667
C9CNVALHAL01-	LM	LPU	0.0581	405	228	1720	1716	10.58	10.61	8.667
C9HNDARK 01	LM	LPU	0.0024	17	252	64	60	0.37	0.39	8.667
C9JNSRTAUR01-	LM	R/T			408					
C9JNSRTAUR02-	LM	R/T			408					
C9JNRTHOTS01-	LM	R/T			408					
C9JNSRTAUR03-	LM	R/T			408					
C9JNRTHOTS02-	LM	R/T			408					
C9JNSRTAUR06-	LM	R/T			408					
C9JNRTHOTS03-	LM	R/T			408					
C9JNAURMAP03+	LM	R/T			408					
C9CNGLOBAL01-	LM	LPU	0.0973	679	228	2887	2883	17.78	17.81	8.667
C9JNAURMAP02+	LM	R/T			408					
C9ENCLIPSE01-	FM	LPU	0.0000	75	126	312	308	1.90	1.92	4.333
C9ENRTECLI01-	FM	R/T			204					
C9HNDARK 02	LM	LPU	0.0024	17	252	64	60	0.37	0.39	8.667
C9GNDRKLI01-	LM	LPU	0.0592	413	228	1753	1749	10.79	10.81	8.667
C9GNBRILED01-	LM	LPU	0.0232	162	228	682	678	4.18	4.21	8.667
C9GNRTSULC01+	LM	R/T			408					
C9ENCLIPSE03-	FM	LPU	0.0000	75	126	312	308	1.90	1.92	4.333
C9ENRTECLI03-	FM	R/T			204					
C9JNGRS05101-	SM	LPU	0.0071	49	25	202	198	1.22	1.25	2.33
C9JNGRS05102-	SM	LPU	0.0071	49	25	202	198	1.22	1.25	2.33
C9JNGRS05103-	SM	LPU	0.0071	50	25	203	199	1.23	1.25	2.33
C9CNGLOBAL02-	LM	LPU	0.0409	286	228	1210	1206	7.44	7.46	8.667
C9INCOOLCV01-	SM	LPU	0.0180	126	68	527	523	3.23	3.25	2.33
C9GNRTGLOB01+	LM	R/T			408					
C9INWARMCV01-	SM	LPU	0.0163	114	68	476	472	2.91	2.94	2.33
C9INWARMCV02-	SM	LPU	0.0104	73	68	302	298	1.84	1.86	2.33
C9JNGRS01102-	SM	LPU	0.0071	50	68	204	200	1.23	1.26	2.33
C9JNGRS01103-	SM	LPU	0.0071	50	68	204	200	1.23	1.26	2.33
C9INCHEMIS01-	LM	LPU	0.0045	31	228	125	121	0.75	0.77	8.667
C9JNFEEFUL01-	LM	LPU	0.0091	63	253	262	258	1.59	1.62	8.667
C9JNFEA01504-	SM	LPU	0.0071	50	68	204	200	1.23	1.26	2.33
C9JNSPOLEW04-	SM	LPU	0.0135	94	68	393	389	2.40	2.42	2.33

C9 NIMS Resources

Activity ID	Mode	Record format	Tracks	Ticks	Number Wavelengths Returned	Record Time (sec)	Playback Time (sec.)	Selected		Total Bits of		Mode
								SBOT (MBITS)	Bits of Tape	Tape	BOT (Mbit)	
C9JNSPOLEM05-	SM	LPU	0.0135	94	68	393	389	2.40	2.42	2.42	2.33	2.33
C9JNGRS03901-	SM	LPU	0.0071	50	68	204	200	1.23	1.26	1.26	2.33	2.33
C9JNSPOLEM06-	SM	LPU	0.0135	94	68	393	389	2.40	2.42	2.42	2.33	2.33
C9JNGRSFUL01-	LM	MPW	0.0334	233	360	262	258	2.97	3.02	3.02	8.667	8.667
C9JNGRS03902-	SM	LPU	0.0071	50	68	204	200	1.23	1.26	1.26	2.33	2.33
C9JNGRS03903-	SM	LPU	0.0071	50	68	204	200	1.23	1.26	1.26	2.33	2.33
C9JNSPOLEM08-	SM	LPU	0.0135	94	68	393	389	2.40	2.42	2.42	2.33	2.33
C9INVOLCAN01-	LM	LPU	0.0035	25	228	97	93	0.57	0.60	0.60	8.667	8.667
C9INCHEMIS03-	LM	LPU	0.0071	50	228	204	200	1.23	1.26	1.26	8.667	8.667
C9JNFEA05701-	SM	LPU	0.0236	165	68	694	690	4.26	4.28	4.28	2.33	2.33
C9JNFEA05702-	SM	LPU	0.0071	50	68	204	200	1.23	1.26	1.26	2.33	2.33
C9JNFEA05703-	SM	LPU	0.0071	50	68	204	200	1.23	1.26	1.26	2.33	2.33
C9JNFEA05704-	SM	LPU	0.0073	51	68	209	205	1.26	1.29	1.29	2.33	2.33
C9JNHRSPEC01-	LM	MPW	0.0199	139	360	155	151	1.74	1.79	1.79	8.667	8.667
C9INNSPEC 01-	LM	MPW	0.0161	112	360	125	121	1.39	1.44	1.44	8.667	8.667
C9JNGRS07501-	SM	LPU	0.0071	50	40	204	200	1.23	1.26	1.26	2.33	2.33
C9JNGRS07502-	SM	LPU	0.0071	50	40	204	200	1.23	1.26	1.26	2.33	2.33
C9JNGRS07504-	SM	LPU	0.0105	73	40	304	200	1.23	1.88	1.88	2.33	2.33
C9INCHEMIS04-	LM	LPU	0.0105	73	228	304	300	1.85	1.88	1.88	8.667	8.667
C9JNGRS53M01-	LM	LPU	0.0188	131	157	550	546	3.37	3.39	3.39	8.667	8.667
C9JNGRS5UM01-	LM	LPU	0.0188	131	157	550	546	3.37	3.39	3.39	8.667	8.667
C9JNAURMAP04+	LM	R/T										
C9JNFEA08501-	SM	LPU	0.0071	50	40	204	200	1.23	1.26	1.26	2.33	2.33
C9JNTHRCYL03-	LM	LPU	0.0404	282	127	1195	1191	7.35	7.37	7.37	8.667	8.667
C9JNFEA08502-	SM	LPU	0.0071	50	40	204	200	1.23	1.26	1.26	2.33	2.33
C9JNTHRCYL04-	LM	LPU	0.0404	282	127	1195	1191	7.35	7.37	7.37	8.667	8.667
C9JNFEA08503-	SM	LPU	0.0071	50	40	204	200	1.23	1.26	1.26	2.33	2.33
C9JNFEA08504-	SM	LPU	0.0071	50	40	204	200	1.23	1.26	1.26	2.33	2.33
C9HNDARK 04	LM	LPU	0.0024	17	252	64	60	0.37	0.39	0.39	8.667	8.667
C9JNFEA53M01-	LM	LPU	0.0243	170	157	715	711	4.39	4.41	4.41	8.667	8.667
C9JNFEA5UM01-	LM	LPU	0.0188	131	157	550	546	3.37	3.39	3.39	8.667	8.667
C9JNTHRCYL06-	LM	LPU	0.0453	316	127	1339	1335	8.23	8.26	8.26	8.667	8.667
C9JNAURVAR01+	LM	R/T										
C9JNTHRCYL07-	LM	LPU	0.0438	306	127	1295	1291	7.96	7.99	7.99	8.667	8.667
C9JNGRS09501-	SM	LPU	0.0071	50	68	204	200	1.23	1.26	1.26	2.33	2.33
C9JNGRS09502-	SM	LPU	0.0134	94	68	391	387	2.39	2.41	2.41	2.33	2.33
C9INCHEMIS06-	LM	LPU	0.0078	55	228	224	220	1.36	1.38	1.38	8.667	8.667
C9JNFEA10201-	SM	LPU	0.0071	50	68	204	200	1.23	1.26	1.26	2.33	2.33
C9JNFEA10202-	SM	LPU	0.0071	50	68	204	200	1.23	1.26	1.26	2.33	2.33

C9 NIMS Resources

Activity ID	Mode	Record format	Tracks	Ticks	Number Wavelengths Returned	Record Time (sec)	Playback Time (sec.)	Selected		Total Bits of Tape	Mode
								Bits of Tape sBOT (Mbits)	Time (sec.)		
C9JNAUCAMB01	FM	LPU	0.0108	75	126	312	308	1.90	1.92	4.333	
C9JNAURRTB01	LM	R/T		408							
C9HNSTRCAL01-	LM	R/T		17							
C9JNAURRTB02	LM	R/T		408							
C9JNAURRTB03	LM	R/T		408							
C9JNAURRTB04	LM	R/T		408							
C9HNSTRCAL02-	LM	R/T		17							
C9JNAURRTB05	LM	R/T		408							
C9JNAUCAMB02	FM	LPU	0.0108	75	126	312	308	1.90	1.92	4.333	
C9NNRCTRLT01-	LM	R/T		252							
C9NNPCTRLT01-	LM	R/T		252							
C9NNRCTRLT02-	LM	R/T		252							
C9JNGRS15601-	SM	LPU	0.0021	15	68	54	50	0.31	0.33	2.33	
C9JNSOU15601-	SM	LPU	0.0021	15	68	54	50	0.31	0.33	2.33	
C9JNNOR15601-	SM	LPU	0.0021	15	68	54	50	0.31	0.33	2.33	
C9RNMRRING 01-	FM	LPU	0.0085	59	126	244	240	1.48	1.50	4.333	
C9JNFEA15601-	SM	LPU	0.0021	15	68	54	50	0.31	0.33	2.33	
C9NNOPCAL 01-	LM	R/T									
C9JNFEA14501-	SM	LPU	0.0021	15	68	54	50	0.31	0.33	2.33	
C9JNFEA14502-	SM	LPU	0.0021	15	68	54	50	0.31	0.33	2.33	
C9JNGRS14501-	SM	LPU	0.0021	15	68	54	50	0.31	0.33	2.33	
C9JNGRS14502-	SM	LPU	0.0021	15	68	54	50	0.31	0.33	2.33	
C9JNFEA14503-	SM	LPU	0.0021	15	68	54	50	0.31	0.33	2.33	
C9JNSOU14501-	SM	LPU	0.0021	15	68	54	50	0.31	0.33	2.33	
C9JNNOR14501-	SM	LPU	0.0021	15	68	54	50	0.31	0.33	2.33	
C9JNEQU14501-	SM	LPU	0.0021	15	68	54	50	0.31	0.33	2.33	
Total			1.2004	8525							
Allocation			1.2225	7767							
Overage			-0.0221	758							

NIMS C9 OBSERVING GEOMETRY

OAPEL	Latitude (deg)	Longitude (deg)	Range (km)	Cone (deg)	Light (deg)	View (deg)	Phase (deg)
C9CNGLOBAL01	-90 to +90	70 to 170	201K	86	3 to 94	1 to 90	86
C9CNANARR_01	+22 to +28	2 to 9	7K	74 to 98	75 to 81	46 to 66	111 to 134
C9CNSKULD_01	+3 to +13	32 to 44	22K	104 to 108	39 to 50	51 to 67	101 to 105
C9CNNOLAT_01	+32 to +50	354 to 12	35K	113	76 to 90	40 to 51	95
C9CNVALSPC01	+5 to +15	23 to 50	46K	113	34 to 60	36 to 64	95
C9CNVALHAL01	-35 to +50	8 to 83	122K	117	8 to 77	16 to 91	91
C9HNDARK__01	-----	-----	-----	120	-----	-----	-----
C9JNSRTAUR01	-65	310	1622K	82	79	70	91
C9JNSRTAUR02	-65	345	1611K	82	89	67	90
C9JNRTHOTS01	+6.5	1	1563K	83	95	9	90
C9JNSRTAUR03	-65	45	1605K	84	106	73	89
C9JNRTHOTS02	+6.5	126	1463K	87	94	11	85
C9JNSRTAUR06	-65	210	1450K	89	97	70	82
C9JNRTHOTS03	+6.5	286	1340K	93	98	20	79
C9JNAURMAP01	-75	342 to 355	1350K	95	95	74	77
C9CNGLOBAL01	-60 to +75	60 to 240	176K	129	2 to 125	2 to 90	42
C9JNAURMAP02	+60	160 to 170	1150K	105	81	63	4
C9ENCLIPSE01	-90 to +90	270 to 120	1592K	131	5 to 132	3 to 90	42

NIMS C9 OBSERVING GEOMETRY

OAPEL	Latitude (deg)	Longitude (deg)	Range (km)	Cone (deg)	Light (deg)	View (deg)	Phase (deg)
C9ENRTECLI01	-90 to +90	270 to 120	1587K	131	12 to 131	5 to 90	41
C9HNDARK__02	-----	-----	-----	120	-----	-----	-----
C9GNDRKLLIT01	+15 to +52	55 to 136	81K	168 to 177	24 to 66	24 to 50	10 to 19
C9GNBRILLED01	-22 to +7	65 to 85	80K	162 to 165	34 to 55	12 to 31	22 to 25
C9GNRTSULC01	+20 to +35	60 to 110	82K	155	31 to 64	36 to 40	32
C9ENCLIPSE03	-90 to +90	300 to 120	1486K	141	1 to 123	3 to 90	32
C9ENRTECLI03	-90 to +90	300 to 120	1483K	141	2 to 122	9 to 90	32
C9JNGRS05101	-27 to -20	57 to 77	942K	122	65 to 85	28 to 42	50
C9JNGRS05102	-27 to -20	60 to 79	930K	123	57 to 75	25 to 34	50
C9JNGRS05103	-27 to -20	33 to 78	919K	122	24 to 40	28 to 68	50
C9NGLOBAL02	-90 to +90	26 to 80	166K	106	62 to 97	8 to 61	81
C9INCOOLCV01	-90 to +90	300 to 120	1310K	139	1 to 124	1 to 90	33
C9GNRTGLOB01	-90 to +90	54 to 113	200K	100	38 to 79	20 to 73	87
C9INWARMCV01	-90 to +90	300 to 120	1220K	150	1 to 112	0 to 90	22
C9INWARMCV02	-90 to +90	300 to 120	1195K	153	1 to 109	0 to 90	19
C9JNGRS01102	-27 to -20	56 to 81	760K	160	54 to 78	45 to 69	12
C9JNGRS01103	-27 to -20	61 to 76	719K	164	22 to 26	23 to 32	8
C9INCHEMIS01	-90 to +90	330 to 150	890K	156	3 to 121	3 to 90	31

NIMS C9 OBSERVING GEOMETRY

OAPEL	Latitude (deg)	Longitude (deg)	Range (km)	Cone (deg)	Light (deg)	View (deg)	Phase (deg)
C9JNFEAFUL01	+3 to +10	256 to 270	707K	167	15 to 32	6 to 14	20
C9JNFEA01504	+1 to +14	251 to 272	736K	165	56 to 81	34 to 59	22
C9JNSPOLEM04	-90 to -50	243 to 344	771K	159	64 to 98	62 to 90	27
C9JNSPOLEM05	-90 to -50	300 to 30	778K	155	61 to 81	60 to 91	31
C9JNGRS03901	-27 to -20	20 to 77	770K	151	19 to 55	34 to 90	35
C9JNSPOLEM06	-90 to -50	330 to 60	793K	150	62 to 88	61 to 88	37
C9JNGRSFUL01	-27 to -20	48 to 76	774K	145	42 to 70	25 to 32	42
C9JNGRS03902	-27 to -20	60 to 77	786K	144	61 to 78	29 to 41	43
C9JNGRS03903	-27 to -20	57 to 79	797K	144	66 to 91	29 to 54	44
C9JNSPOLEM08	-90 to -50	30 to 180	840K	139	69 to 97	67 to 91	46
C9INVOLCAN01	-90 to +90	30 to 105	656K	109	81 to 155	3 to 77	78
C9INCHEMIS03	-90 to +90	20 to 200	641K	107	10 to 170	0 to 90	80
C9JNFEA05701	+2 to +13	190 to 260	862K	130	7 to 45	14 to 90	56
C9JNFEA05702	+2 to +13	190 to 260	862K	130	7 to 45	14 to 90	56
C9JNFEA05703	+2 to +13	255 to 270	882K	124	47 to 65	7 to 18	63
C9JNFEA05704	+2 to +13	257 to 274	905K	124	73 to 92	12 to 30	64
C9INHRSPEC01	-90 to +90	135 to 235	606K	107	9 to 90	0 to 90	81
C9INNSPEC_01	-90 to +90	60 to 140	606K	107	87 to 171	7 to 90	81

NIMS C9 OBSERVING GEOMETRY

OAPEL	Latitude (deg)	Longitude (deg)	Range (km)	Cone (deg)	Light (deg)	View (deg)	Phase (deg)
C9JNGRS07501	-27 to -20	44 to 75	999K	112	25 to 47	39 to 68	75
C9JNGRS07502	-27 to -20	42 to 80	1004K	112	43 to 79	23 to 46	75
C9JNGRS07504	-27 to -20	67 to 87	1027K	110	72 to 92	25 to 29	77
C9INCHEMIS04	-90 to +90	100 to 280	678K	112	7 to 165	1 to 90	75
C9JNGRS53M01	-29 to -18	44 to 80	1068K	110	95 to 140	30 to 73	77
C9JNGRS5UM01	-29 to -18	45 to 80	1108K	110	123 to 154	54 to 90	77
C9JNAURMAP03	+60	165 to 170	1107K	106	72	67	82
C9JNFEA08501	+2 to +13	221 to 271	1147K	101	7 to 49	38 to 90	86
C9JNTHRCYL03	+2 to +13	118 to 177	1145K	105	95 to 164	14 to 85	82
C9JNFEA08502	+2 to +13	248 to 296	1168K	100	7 to 49	39 to 90	88
C9JNTHRCYL04	+2 to +13	139 to 204	1169K	104	95 to 169	13 to 90	83
C9JNFEA08503	+2 to +13	252 to 275	1158K	100	49 to 74	15 to 40	88
C9JNFEA08504	+2 to +13	252 to 273	1162K	100	63 to 86	7 to 27	88
C9HNDARK_04	-----	-----	-----	120	-----	-----	-----
C9JNFEA53M01	+2 to +13	252 to 274	1183K	100	89 to 127	6 to 40	88
C9JNFEA5UM01	+2 to +13	250 to 274	1214K	100	117 to 145	29 to 59	88
C9JNTHRCYL06	+2 to +13	234 to 302	1250K	100	97 to 171	10 to 90	88
C9JNAURVAR01	-50 to -60	250 to 254	1300K	98	122 to 132	90 to 91	-----

NIMS C9 OBSERVING GEOMETRY

OAPEL	Latitude (deg)	Longitude (deg)	Range (km)	Cone (deg)	Light (deg)	View (deg)	Phase (deg)
C9JNTHRCYL07	+2 to +13	300 to 5	1295K	96	96 to 169	8 to 82	93
C9JNGRS09501	-29 to -18	49 to 81	1295K	92	45 to 75	31 to 60	96
C9JNGRS09502	-32 to -15	53 to 81	1300K	92	62 to 90	19 to 46	96
C9INCHEMIS06	-90 to +90	200 to 10	1449K	106	8 to 172	3 to 90	82
C9JNFEA10201	+0 to +15	246 to 301	1468K	84	15 to 71	32 to 90	103
C9JNFEA10202	-7 to +22	250 to 280	1460K	84	61 to 94	9 to 45	103
C9JNAUCAMB01	-90 to -35	6 to 182	4574K	35	70 to 124	56 to 90	150
C9JNAURRTB01	-65	83	4570K	36	114	67	151
C9JNAURRTB02	-65	95	4580K	36	114	68	151
C9JNAURRTB03	-65	108	4590K	36	115	69	151
C9JNAURRTB04	-65	117	4597K	36	115	70	151
C9JNAURRTB05	-65	121	4610K	36	113	74	151
C9JNAUCAMB02	-90 to -35	88 to 264	4614K	35	70 to 124	56 to 90	151
C9JNGRS15601	-60 to +10	62 to 114	7163K	91	67 to 116	42 to 90	156
C9JNSOU15601	-90 to -10	65 to 122	7164K	92	71 to 113	53 to 90	156
C9JNNOR15601	+10 to +90	69 to 122	7160K	92	70 to 112	53 to 90	156
C9RNRING_01	-----	-----	-----	93	-----	-----	-----
C9JNFEA15601	-35 to +45	118 to 164	7140K	92	66 to 112	44 to 90	156

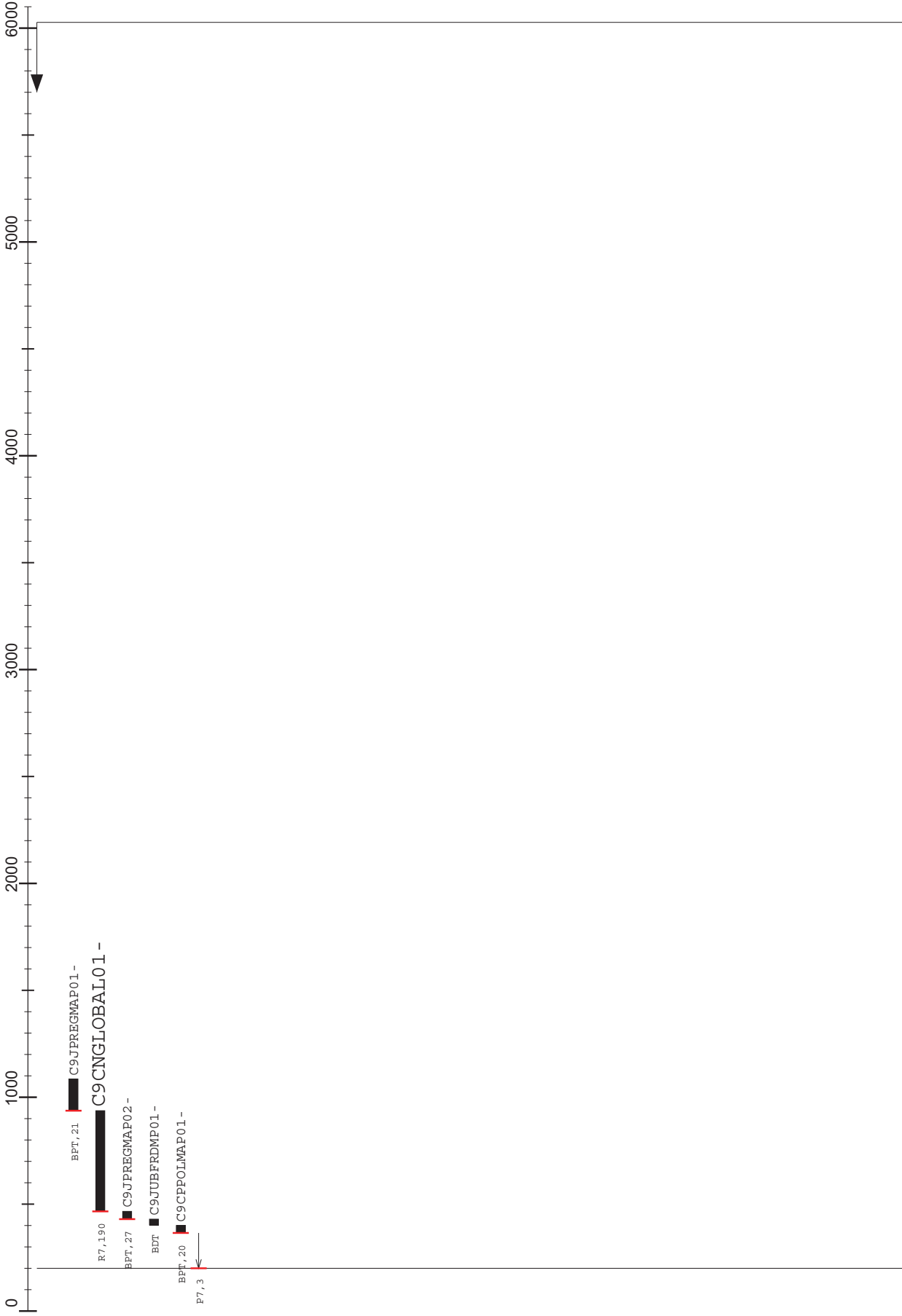
NIMS C9 OBSERVING GEOMETRY

OAPEL	Latitude (deg)	Longitude (deg)	Range (km)	Cone (deg)	Light (deg)	View (deg)	Phase (deg)
C9JNFEA14501	-15 to +30	53 to 104	5080K	91	55 to 106	39 to 90	145
C9JNFEA14502	-15 to +30	58 to 109	5080K	91	55 to 106	39 to 90	145
C9JNGRS14501	-55 to -5	62 to 108	5090K	91	57 to 101	48 to 90	145
C9JNGRS14502	-55 to -5	67 to 120	5090K	91	58 to 106	42 to 90	145
C9JNFEA14503	-15 to +30	71 to 118	5090K	91	56 to 102	43 to 90	145
C9JNSOU14501	-90 to -20	73 to 119	5090K	91	64 to 99	58 to 90	145
C9JNNOR14501	+20 to +90	76 to 120	5090K	91	63 to 97	60 to 90	145
C9JNEQU14501	-23 to +23	79 to 126	5090K	91	55 to 102	42 to 90	145

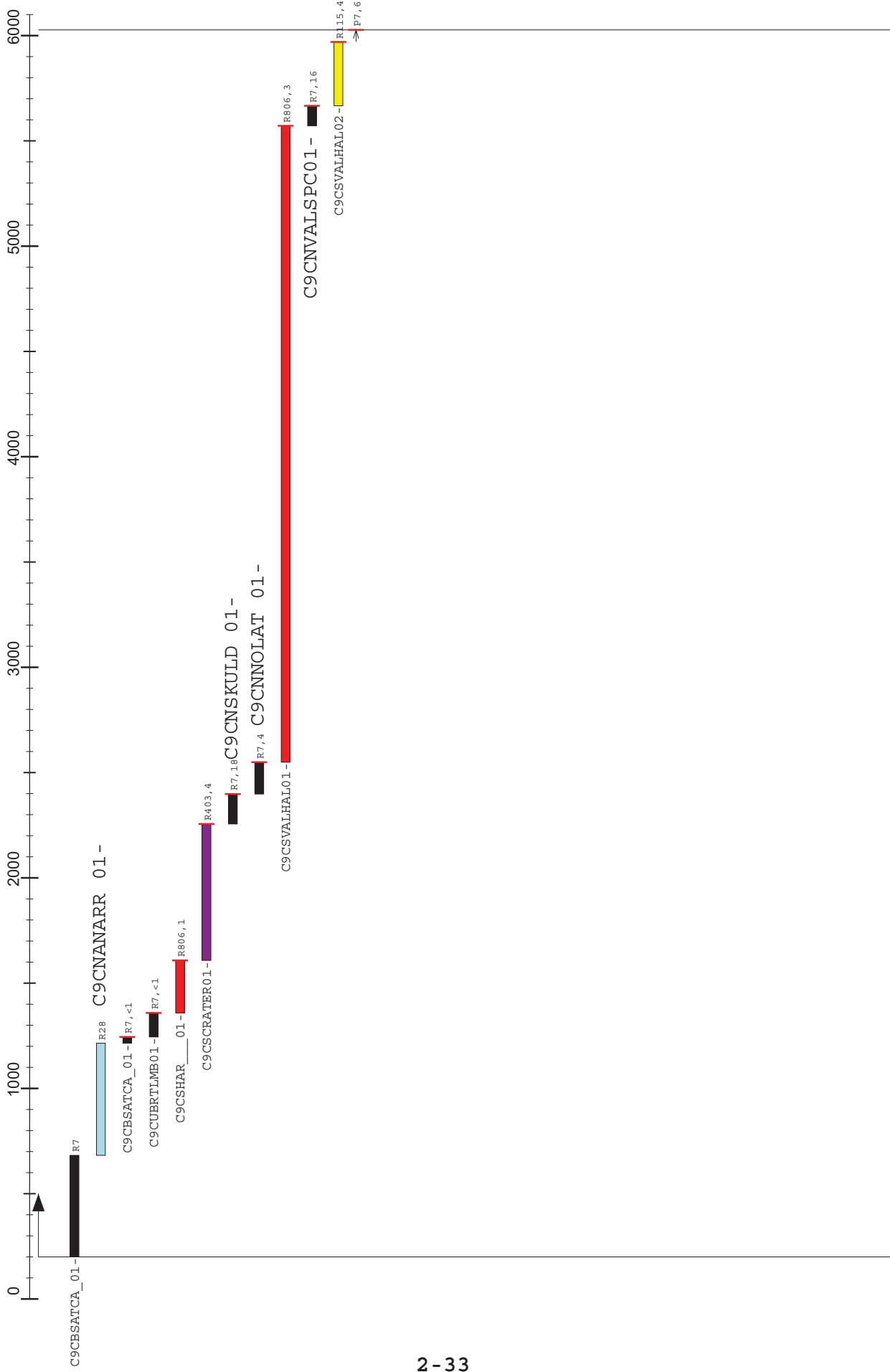


Track 4

Phase 2A Tapemap of c09ajm.tapemap-c
Date: Fri Jun 20 9:26:33 1997
Page: 1



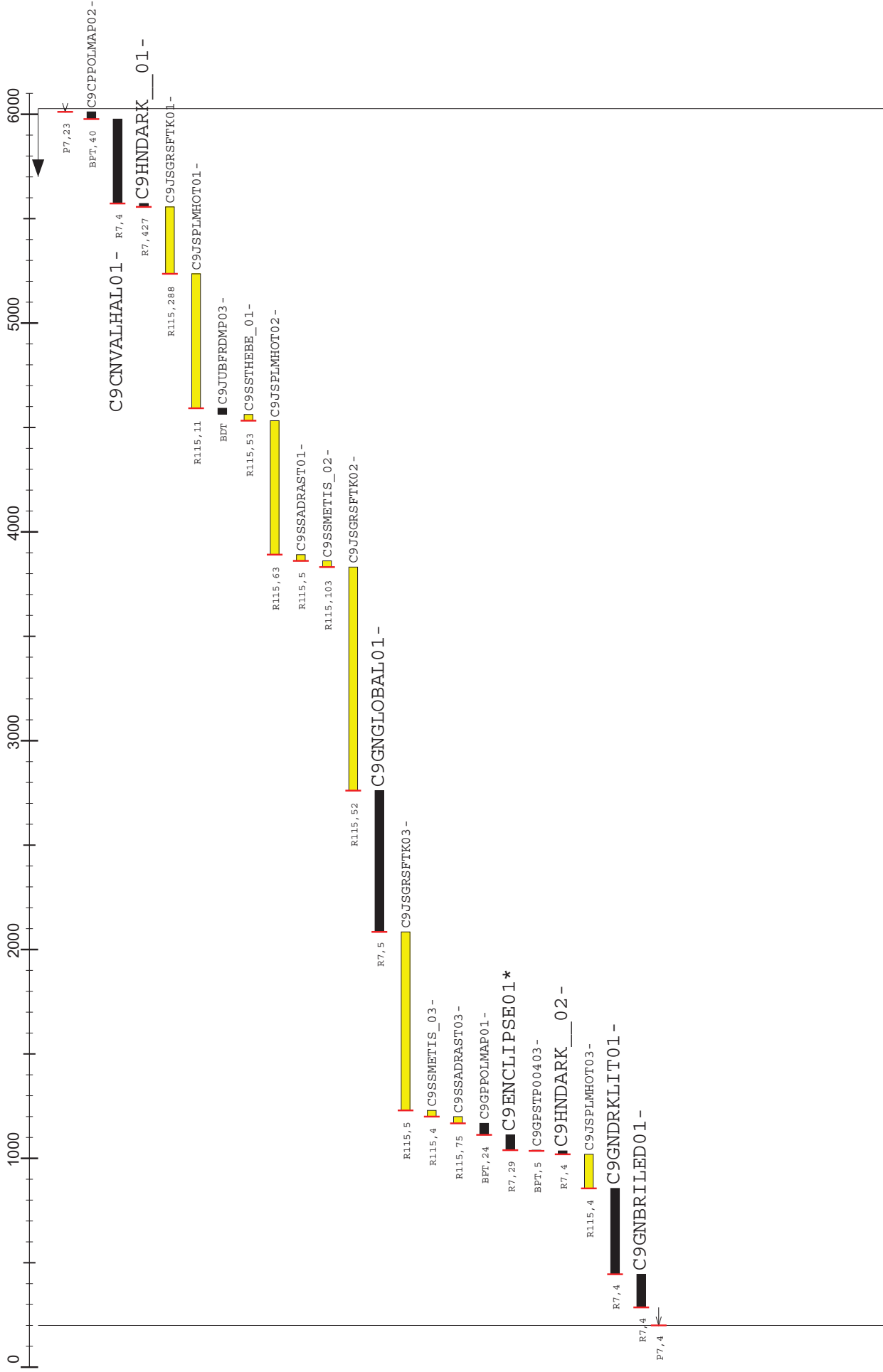
Track 1



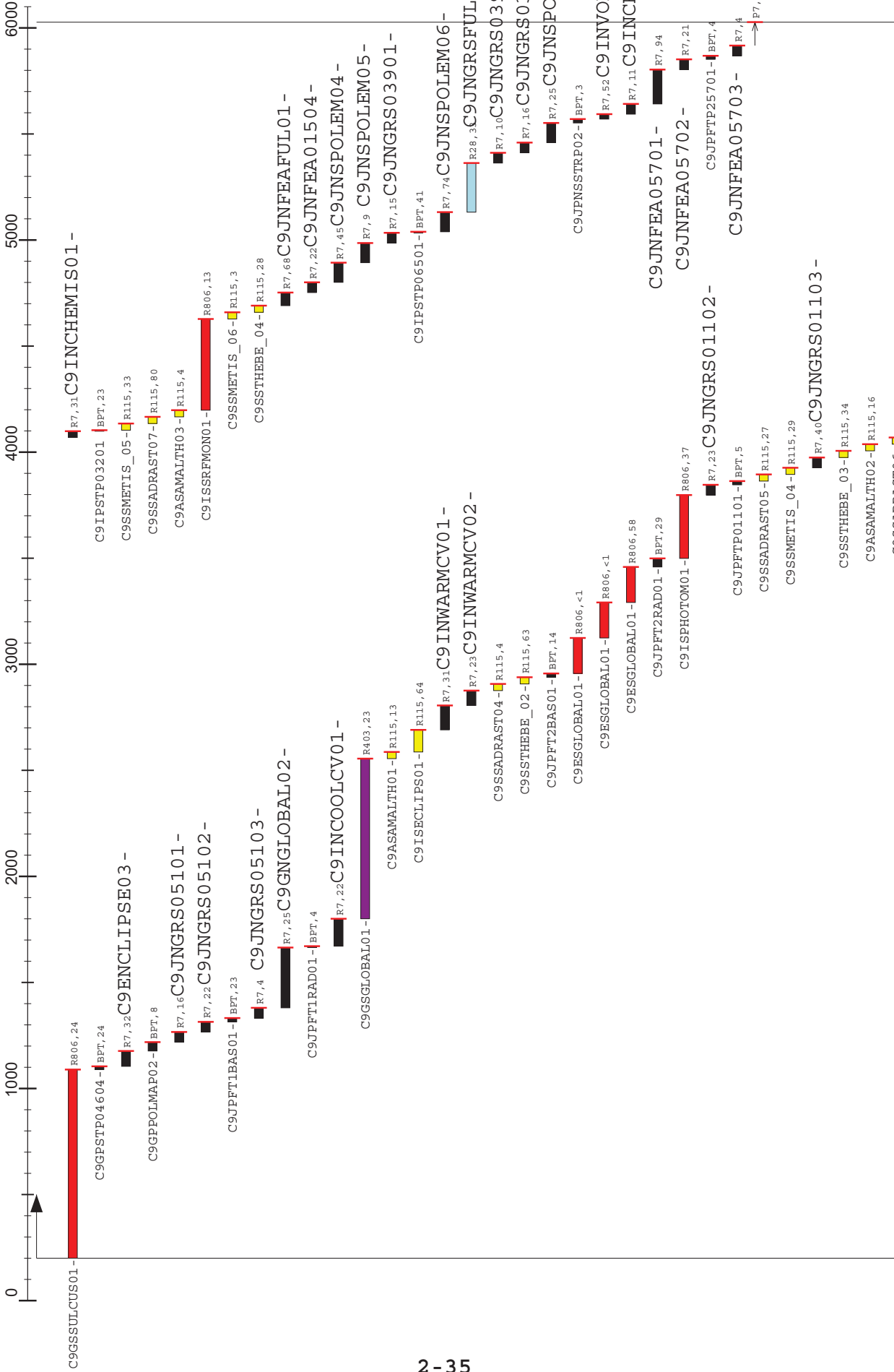


Track 2

Phase 2A Tapemap of c09ajm.tapemap-c
Date: Fri Jun 20 9:26:33 1997
Page: 3

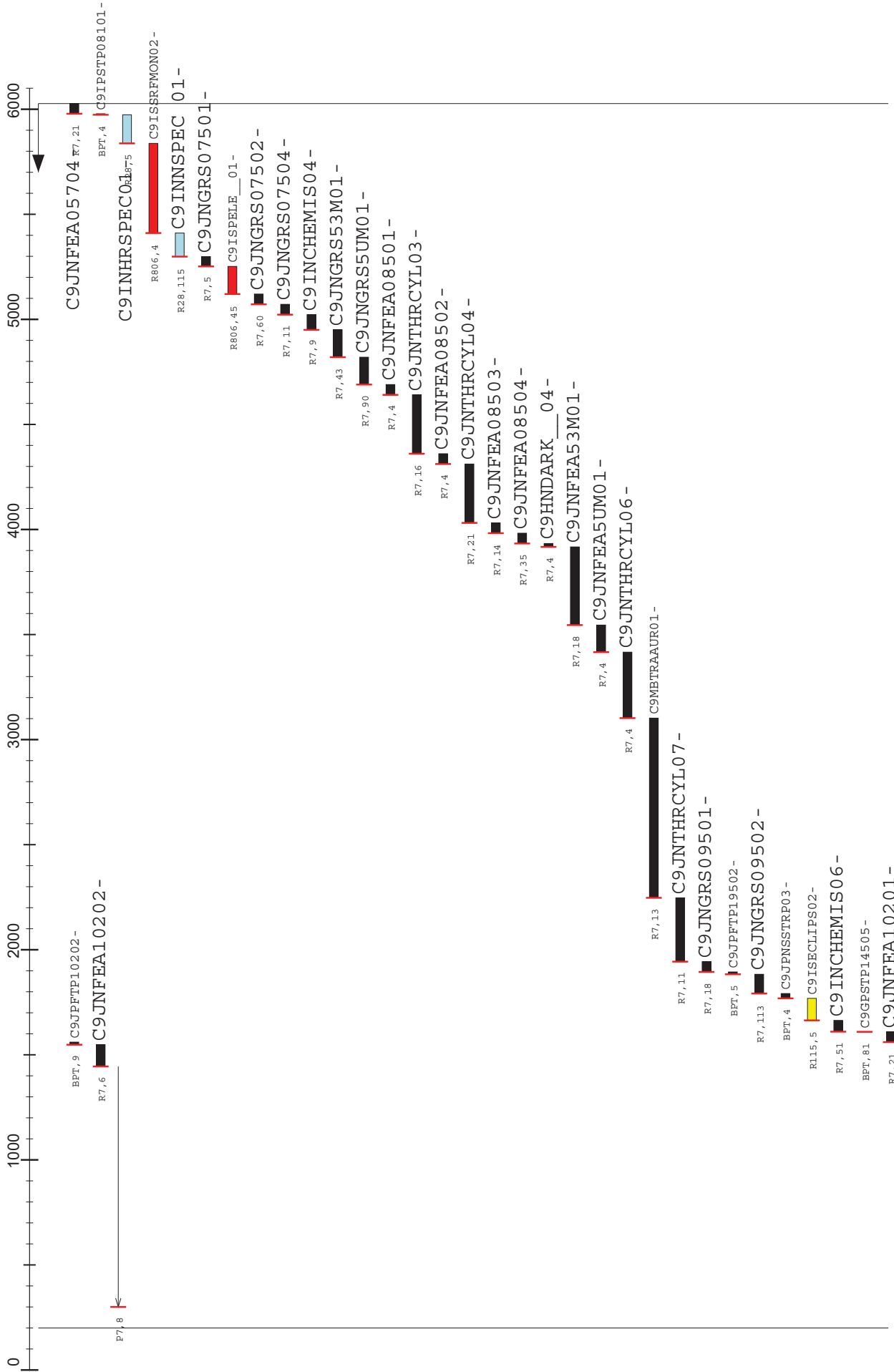


Track 3





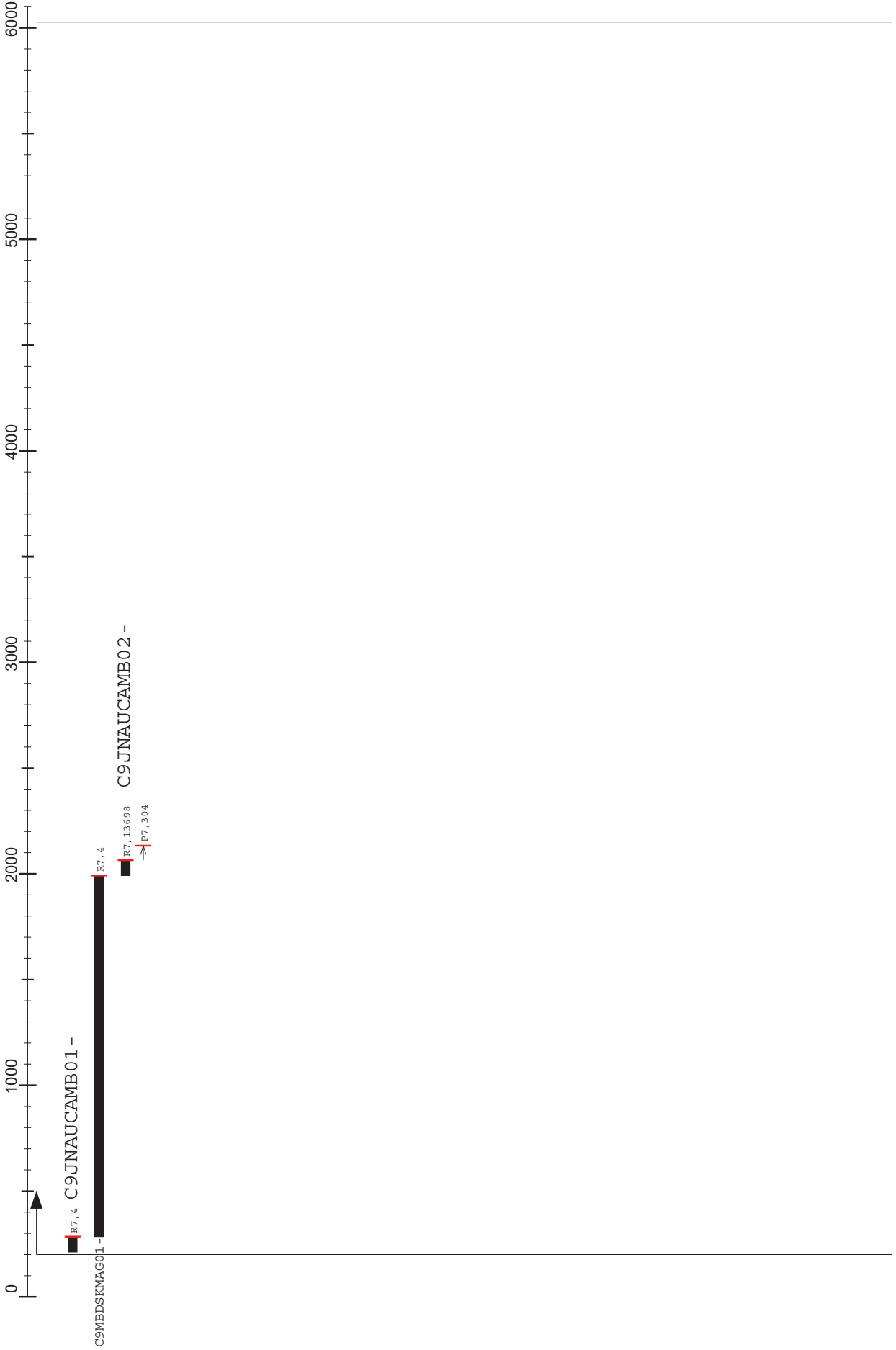
Track 4



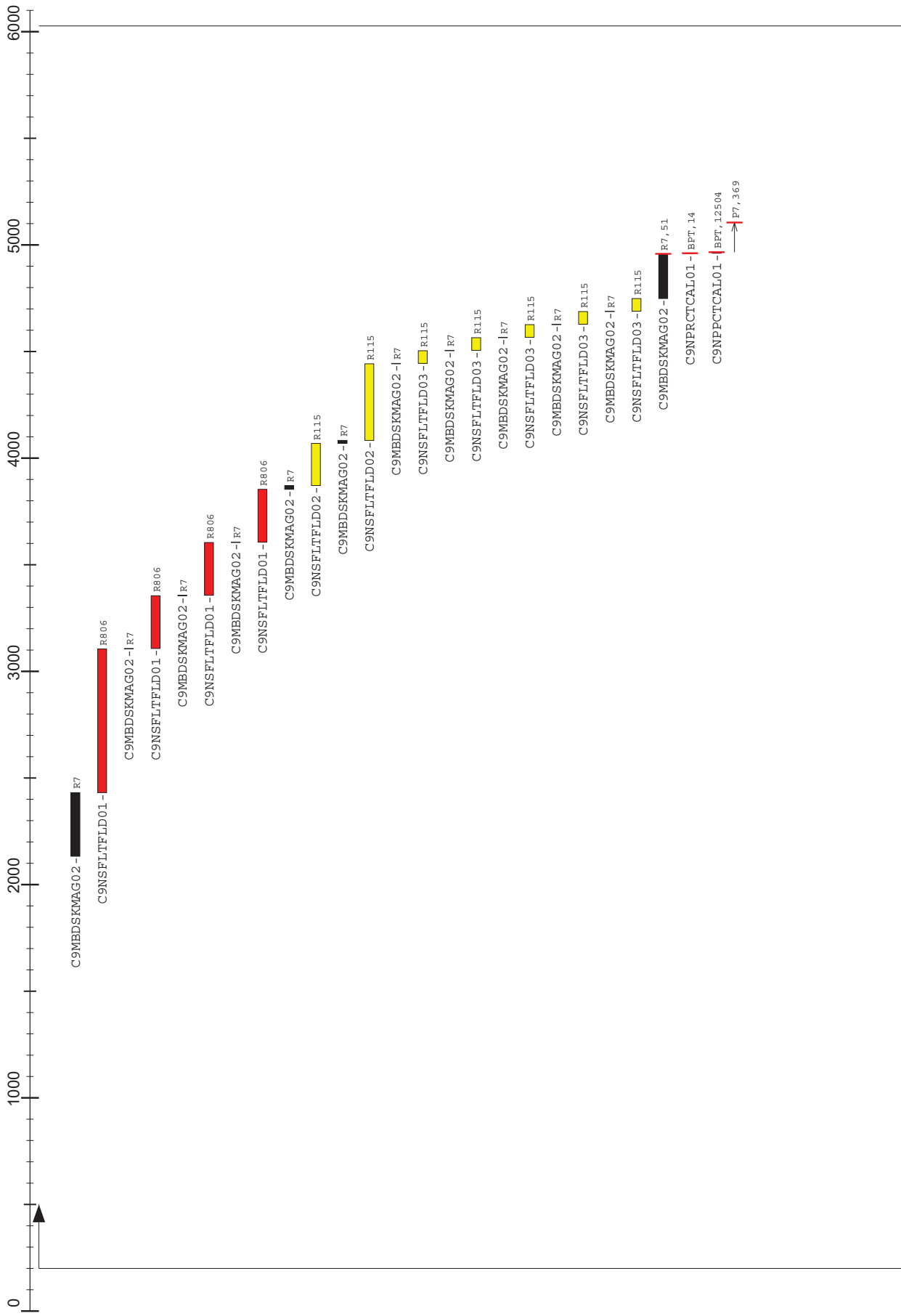


Track 3

Phase 2A Tapemap of c09buh.tapemap-c
Date: Mon Sep 8 13:12:49 1997 Page: 1



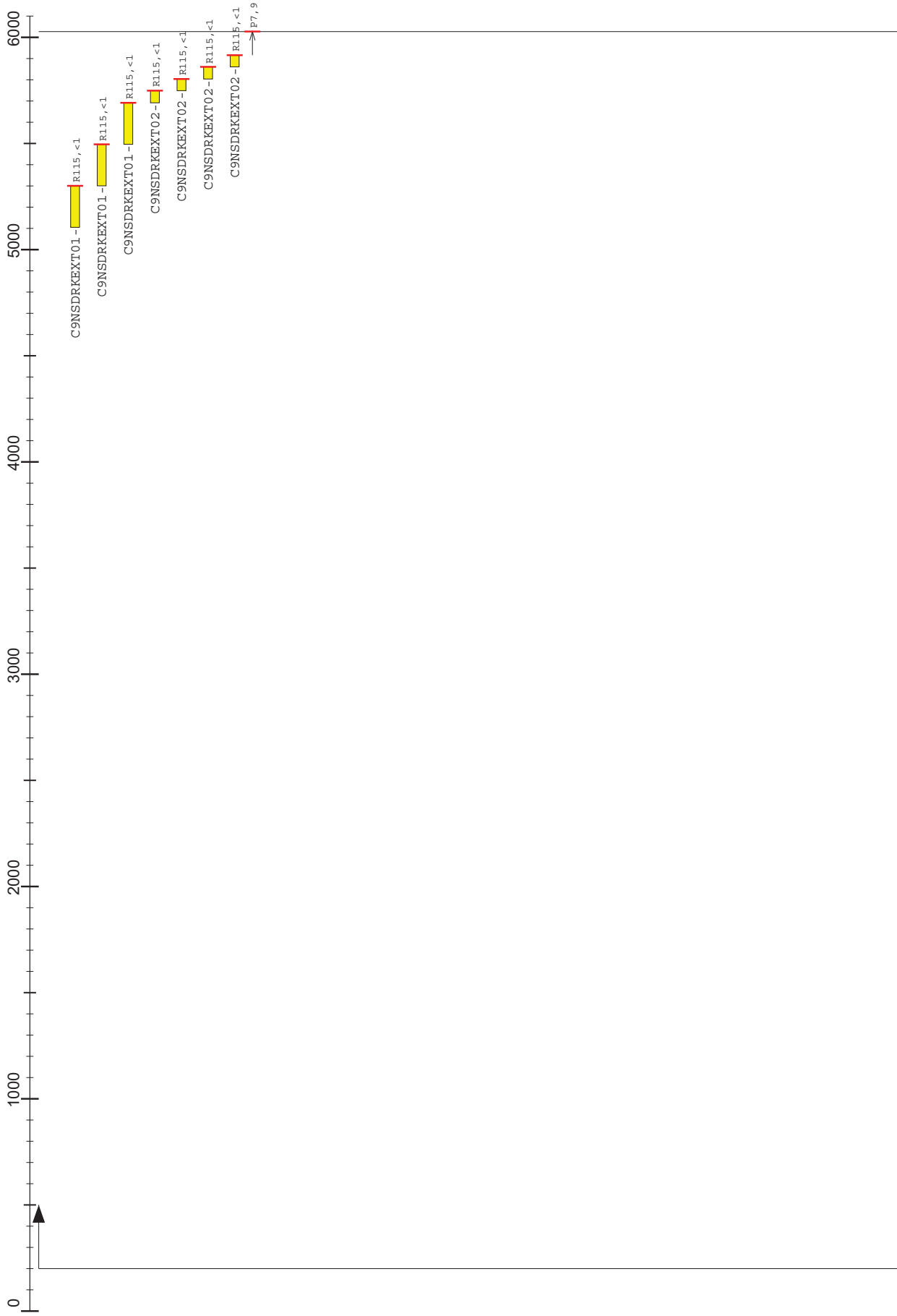
Track 3





Track 3

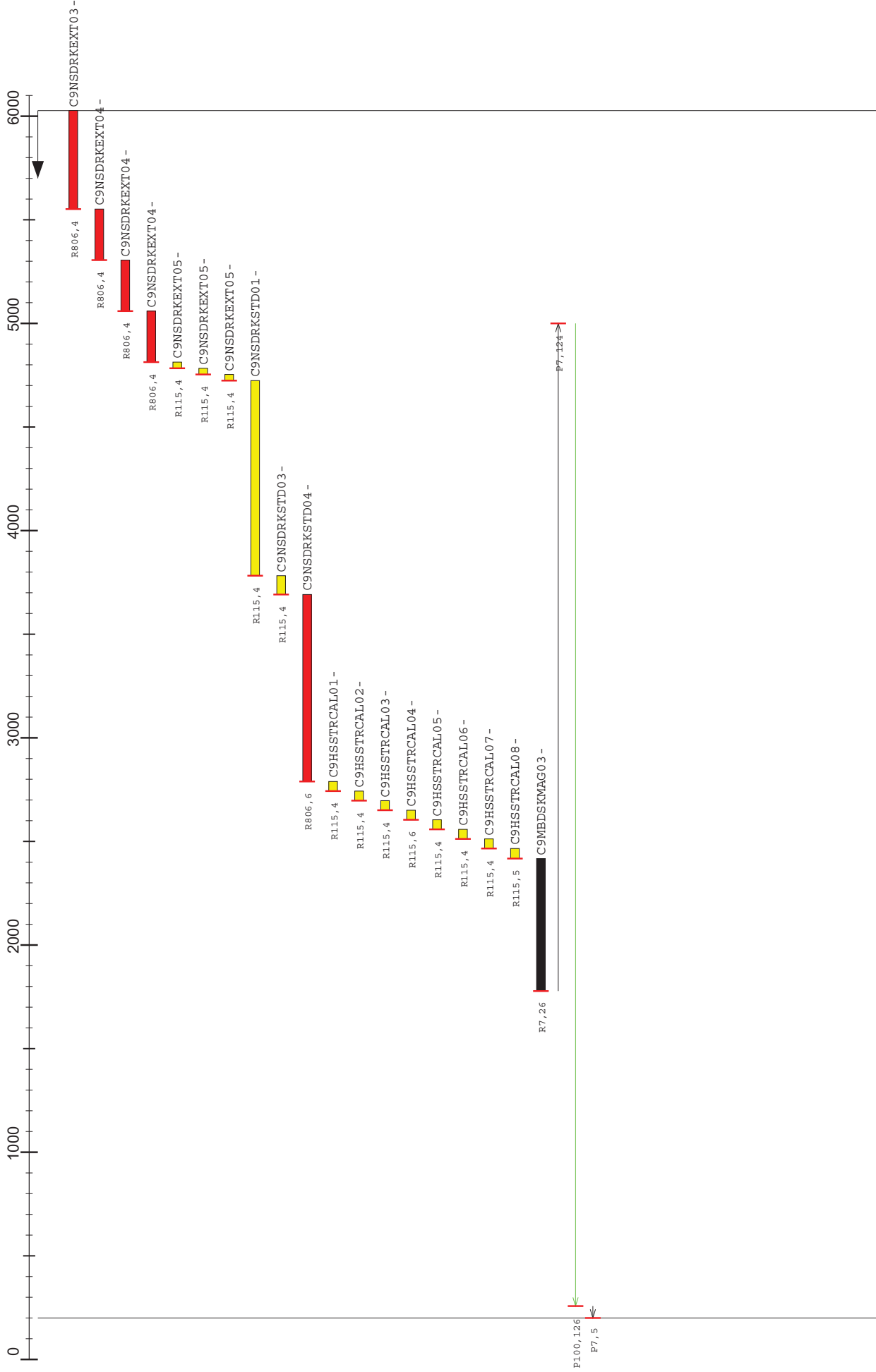
Phase 2A Tapemap of c09buh.tapemap-c
Date: Mon Sep 8 13:12:49 1997 Page: 3



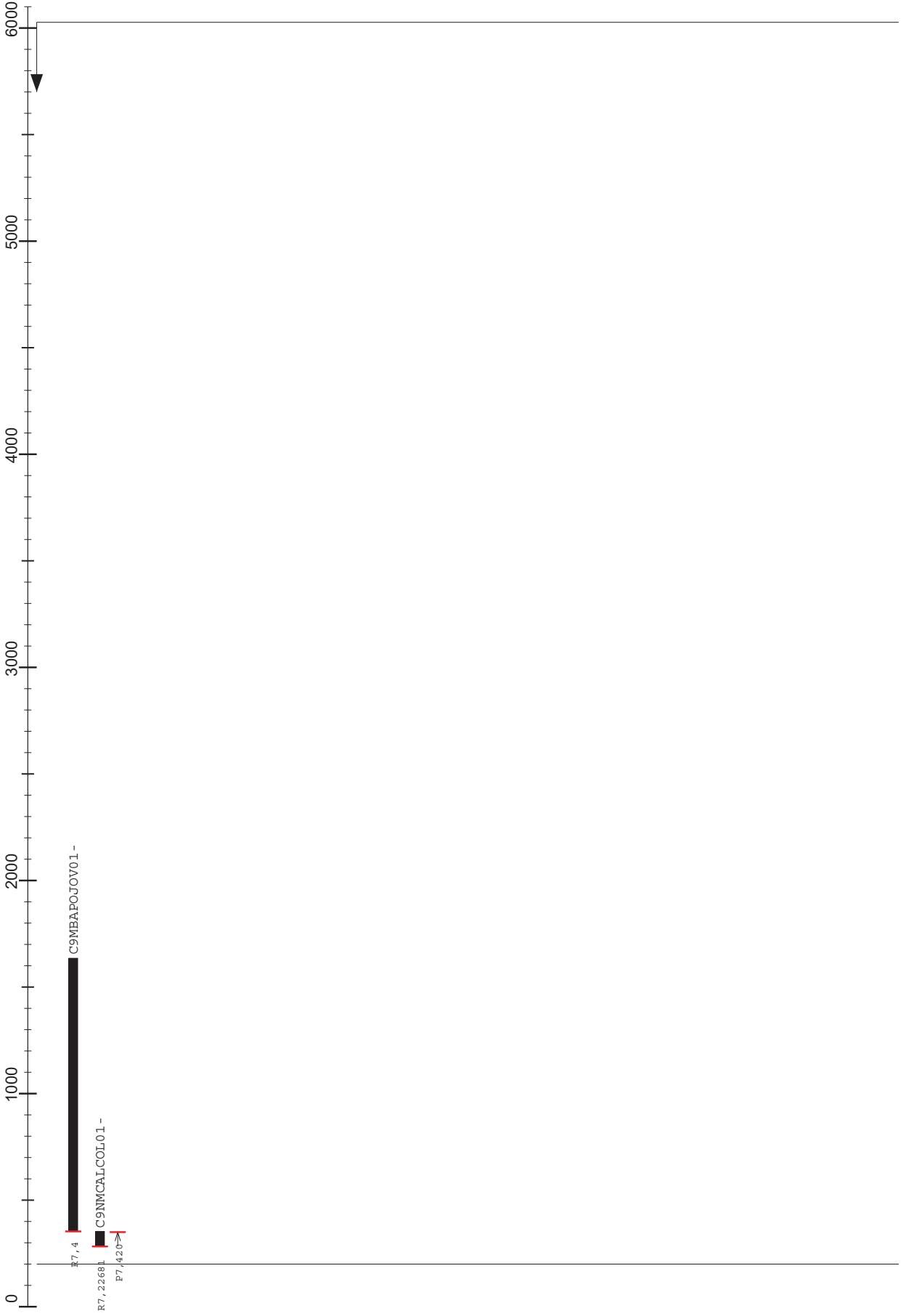


Track 4

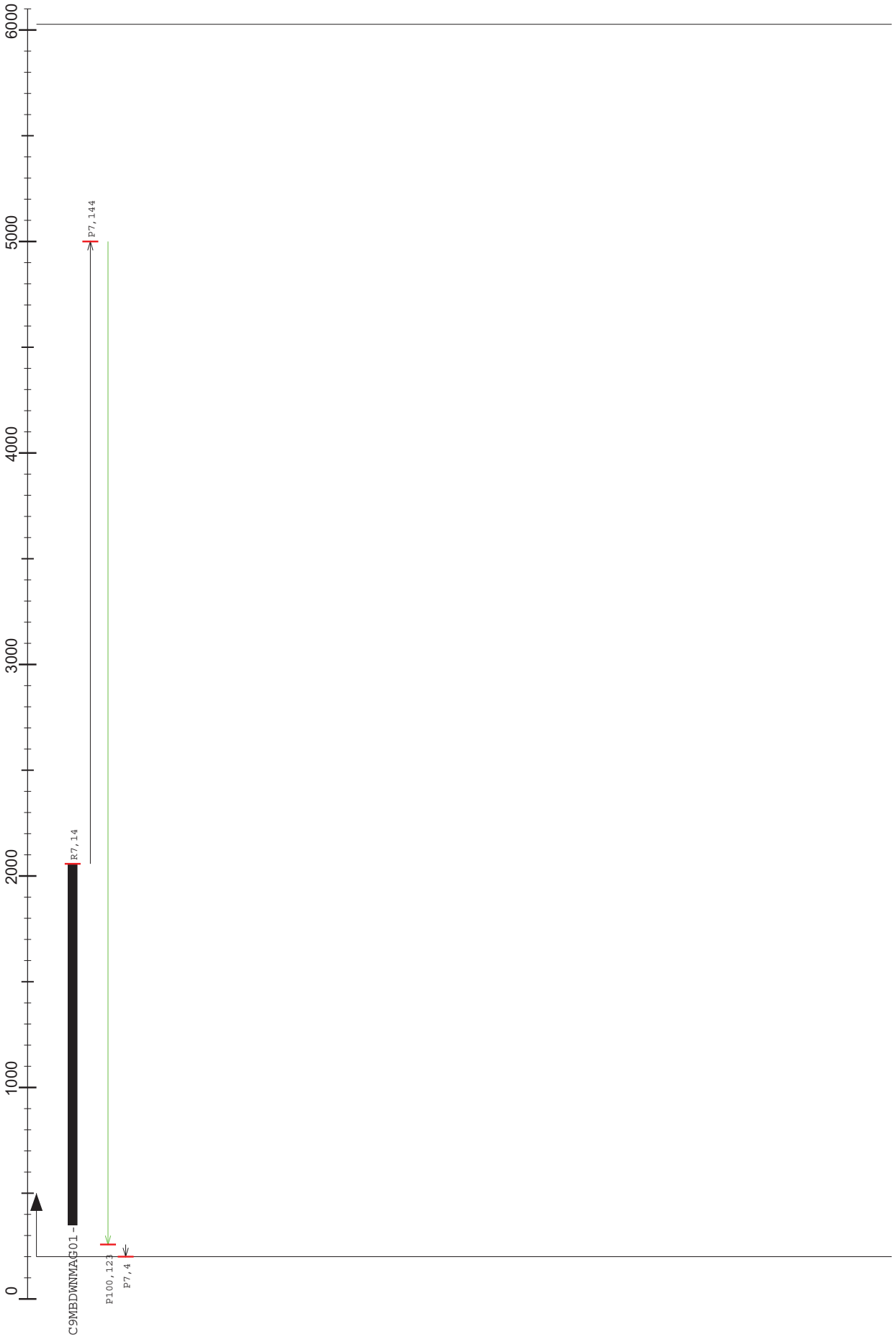
Phase 2A Tapemap of c09buh.tapemap-c
Date: Mon Sep 8 13:12:49 1997
Page: 4



Track 4

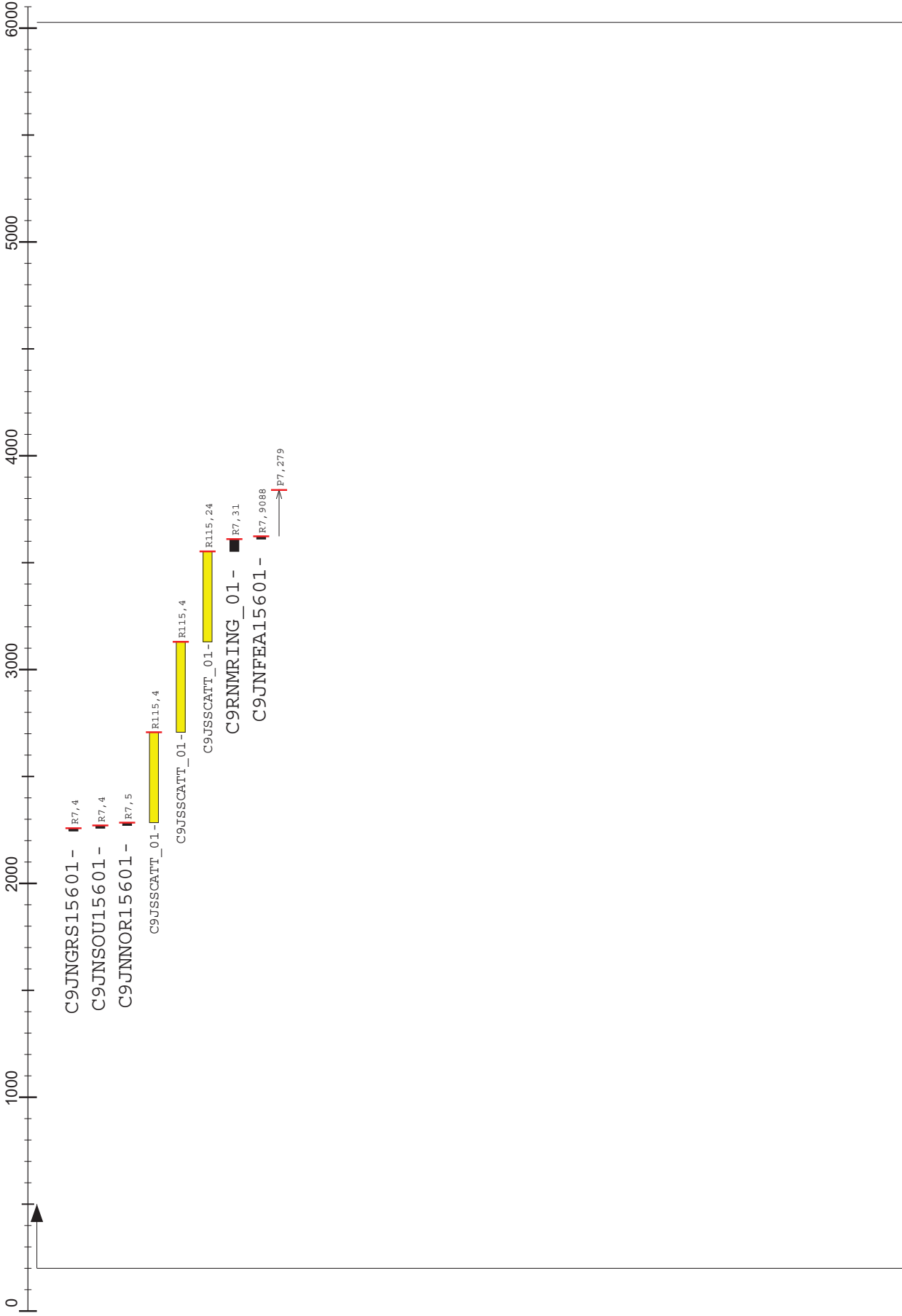


Track 3

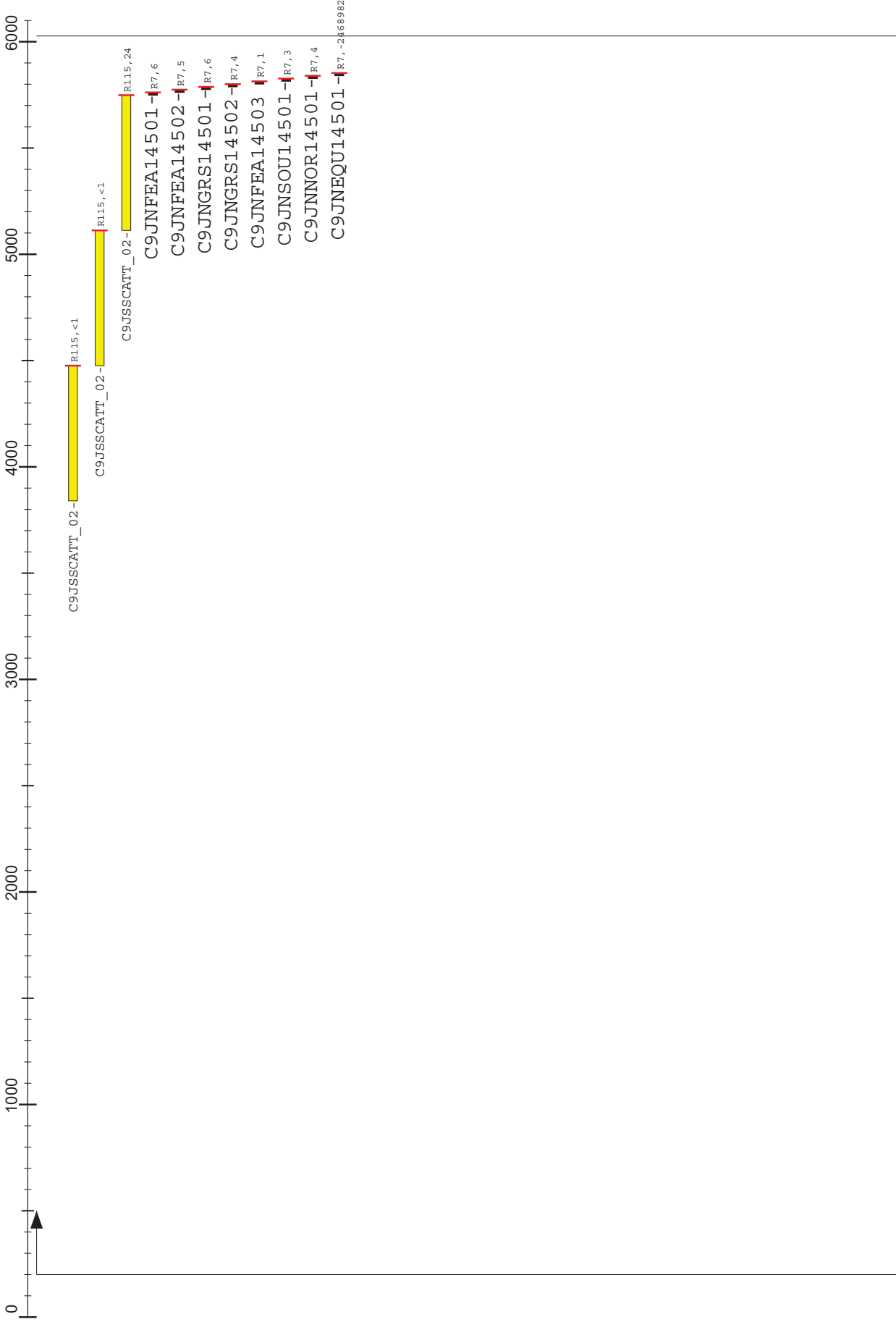




Track 3



Track 3



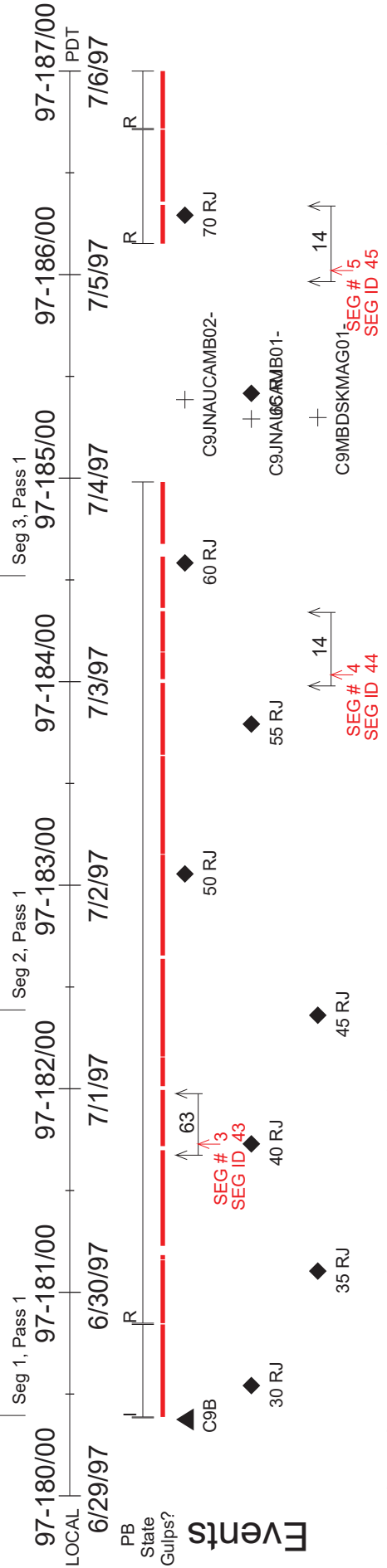
C09PGB

2879/3
C9SSADRAST04-
2911/3
C9SSTHEBE_02-
2935/3
C9JPFT2BAS01-
3020/3
C9ESGLOBAL01-
3454/3
C9JPFT2RAD01-

2559/3
C9ASAMALTH01-
2590/3
C9ISECLIPS01-
2687/3
C9INWARMCV01-
2802/3
C9INWARMCV02-

268/3
C9GSSULCUS01-
1089/3
C9GPSTP04604-
1104/3
C9ENCLIPSE03-
1176/3
C9GPPOLMAP02-
1217/3
C9JNGRS05101-
1265/3
C9JNGRS05102-
1312/3
C9JPFT1BAS01-
1329/3
C9JNGRS05103-
1378/3
C9NGLOBAL02-
1662/3
C9JPFT1RAD01-
1668/3
C9INCOOLCV01-
1822/3
C9GSGLOBAL01-

Playback / Date Returned

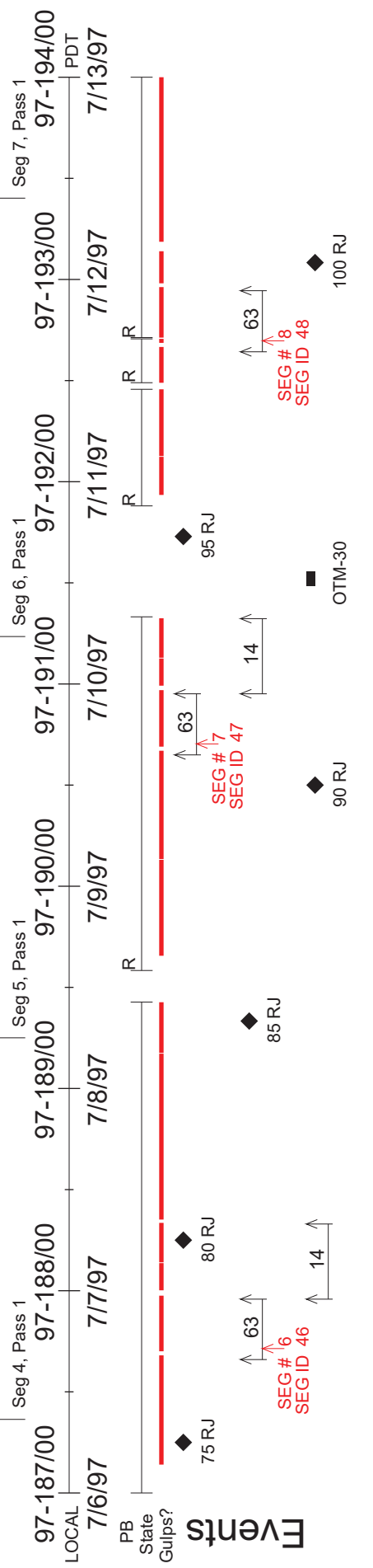


C09PGB

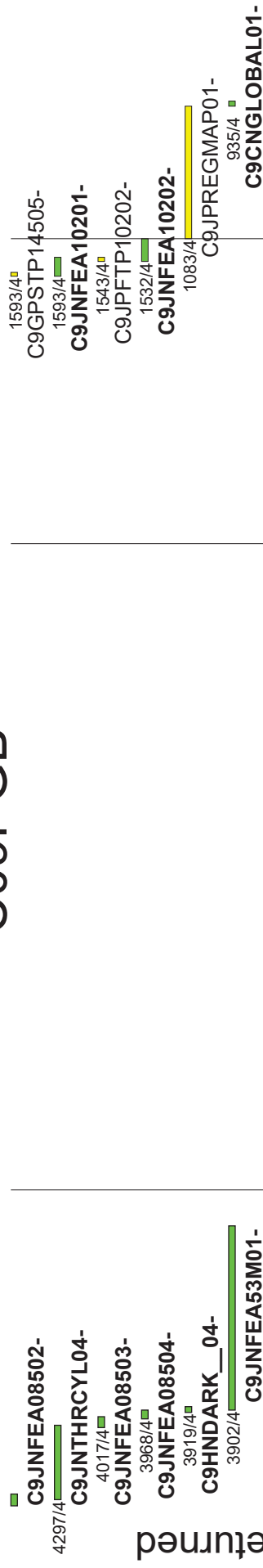
4626/3 C9JPF2RAD01-C9SSMETIS_06-
 3561/3 C9ISPHOTOM01-C9SSTHEBE_04-
 3791/3 C9JNGRS01102- C9JNFEAFUL01-
 3840/3 C9JPF01101- C9JNFEA01504-
 3863/3 C9SSADRAST05- C9JNSPOLEM04-
 3895/3 C9SSMETIS_04- C9JNSPOLEM05-
 3919/3 C9JNGRS01103- C9JNSPOLEM06-
 3974/3 C9SSTHEBE_03- C9JNGRS03901-
 4006/3 C9ASAMALTH02- C9IPSTP06501-
 4037/3 C9SSADRAST06- C9NSPOLEM06-
 4061/3 C9INCHEMIS01- C9JNGRSFUL01-
 4091/3 C9IPSTP03201 C9JNGRS03902-
 4102/3 C9SSMETIS_05- C9JNSPOLEM08-
 4134/3 C9SSADRAST07- C9JPNSSTRP02-
 4165/3 C9ASAMALTH03- C9INVOLCAN01-
 4257/3 C9ISSRFMON01- C9INCHEMIS03-

Playback / Date Returned

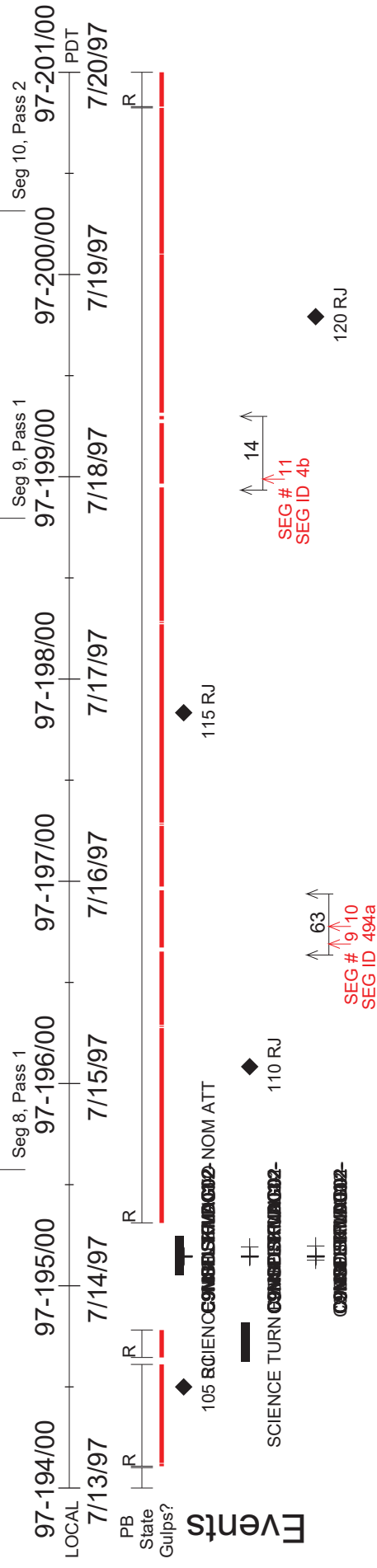
4675/4 C9JNFEA08501-
 4626/4 C9JNTHRCYL03-
 4346/4 C9JNFEA08502-
 5633/3 C9JNFEA05701-
 5795/3 C9JNFEA05702-
 5844/3 C9JPFTP25701-
 5860/3 C9JNFEA05703-
 6028/4 C9JNFEA05704-
 5978/4 C9IPSTP08101-
 5974/4 C9INHRSPEC01-
 5771/4 C9ISSRFMON02-
 5411/4 C9INNSPEC
 5300/4 C9JNGRS07501-
 5185/4 C9ISPELE_01-
 5106/4 C9JNGRS07502-
 5057/4 C9JNGRS07504-
 5008/4 C9INCHEMIS04-
 4935/4 C9JNGRS53M01-
 4805/4 C9JNGRS5UM01-



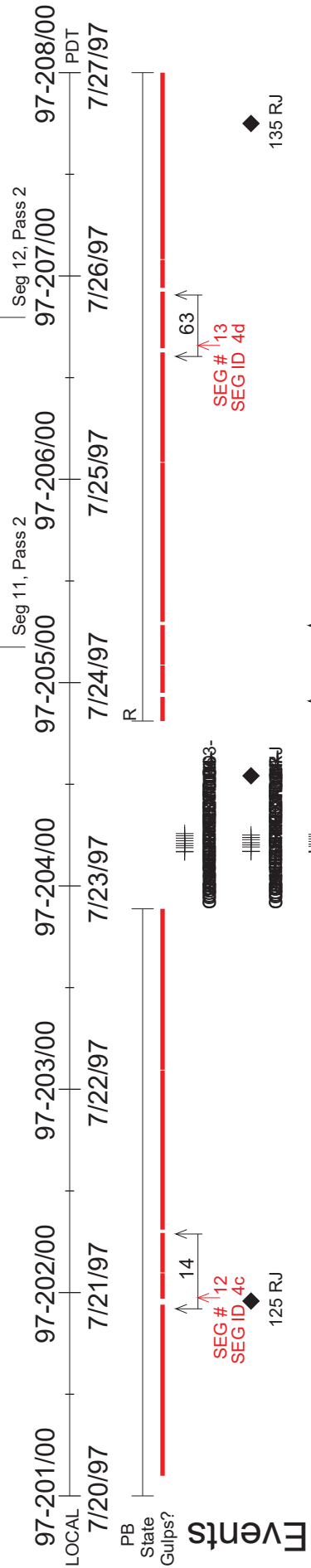
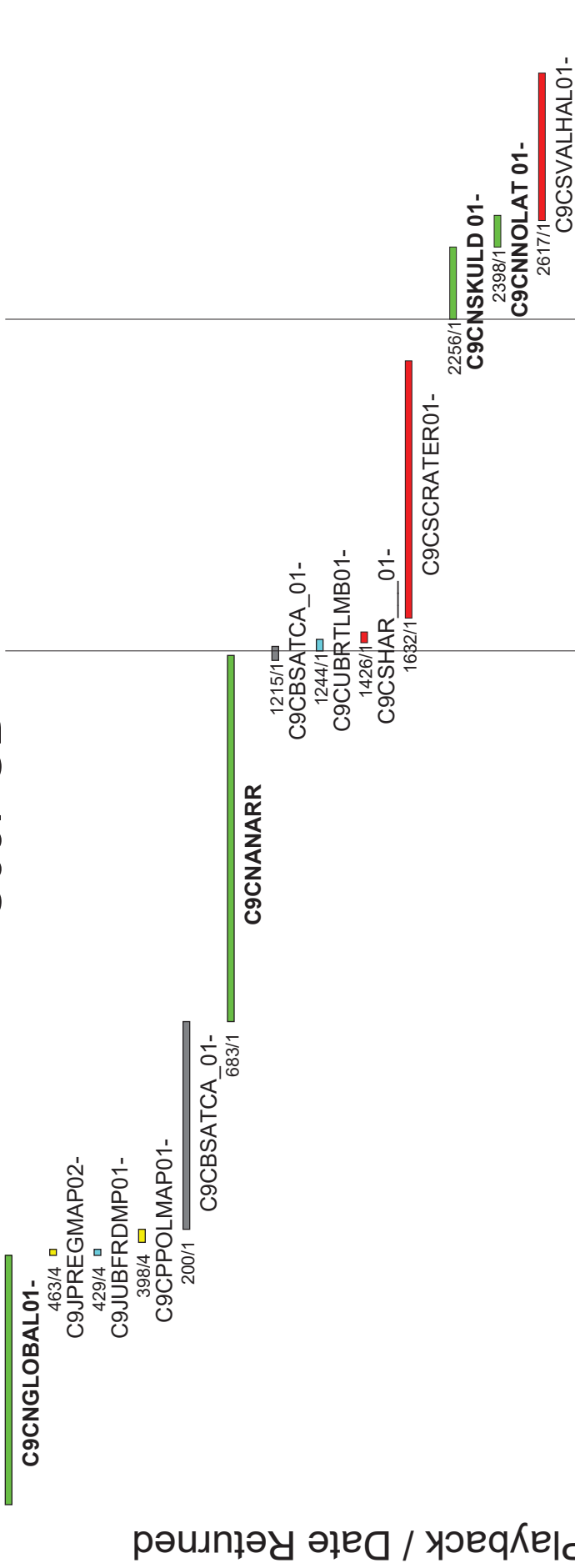
C09PGB



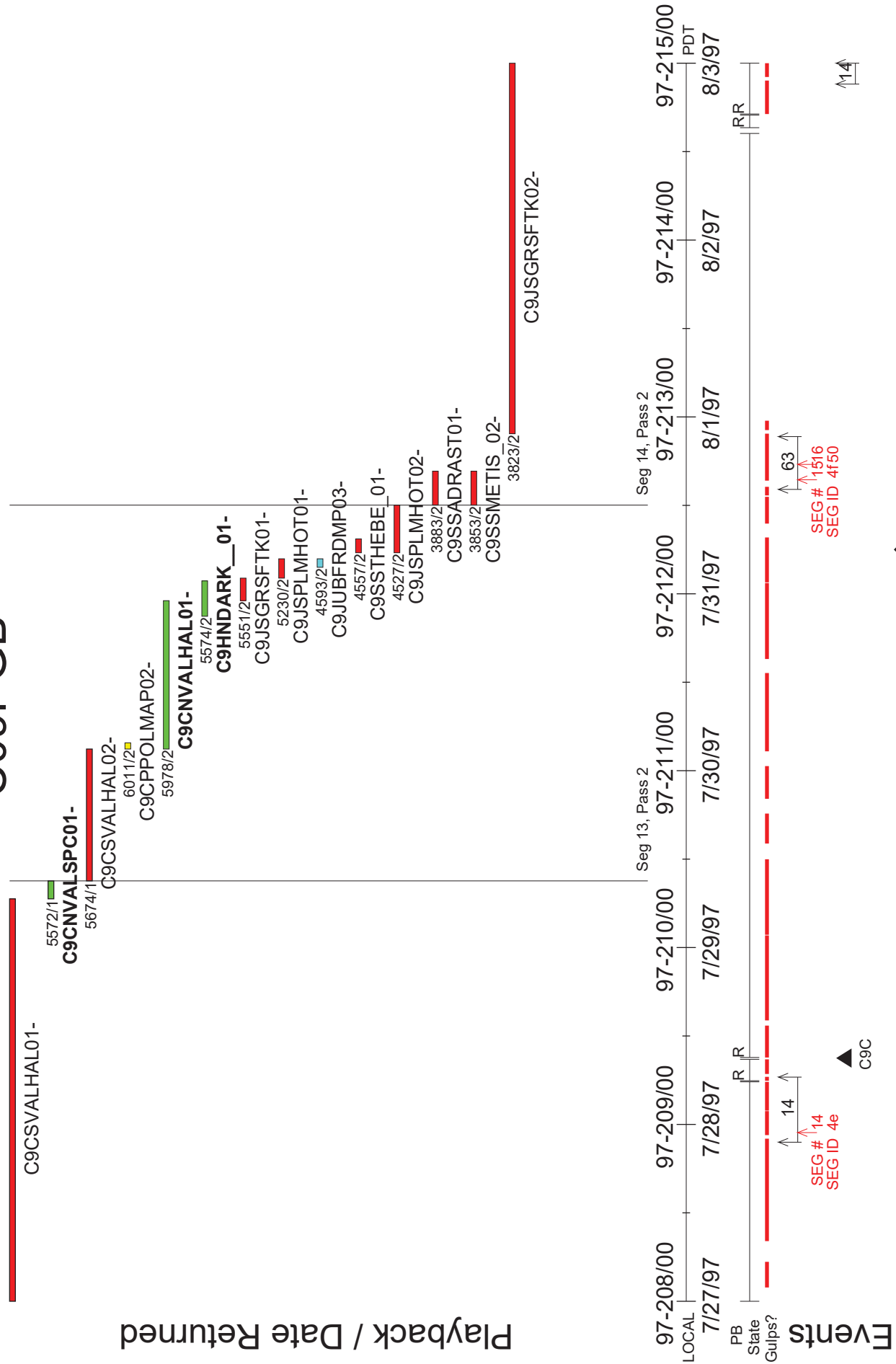
Playback / Date Returned



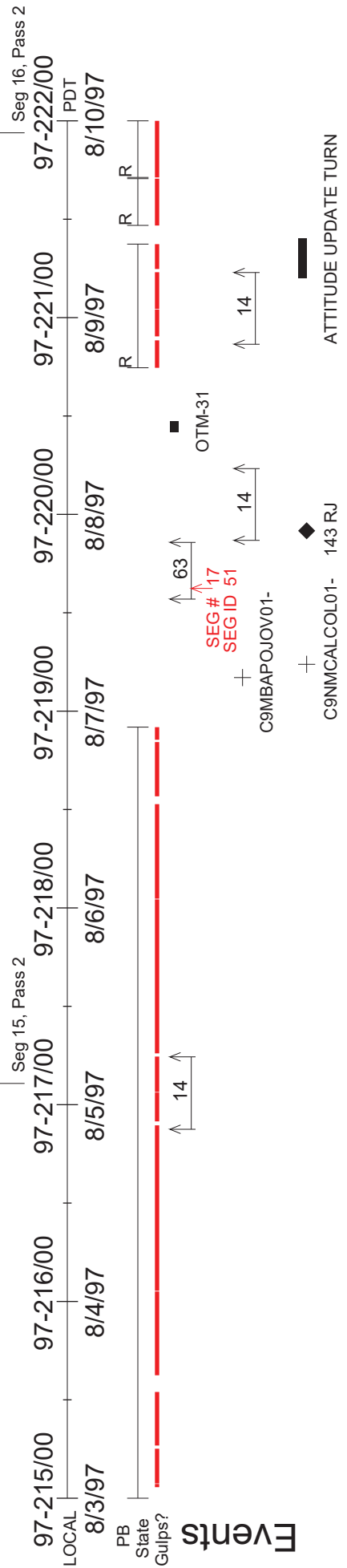
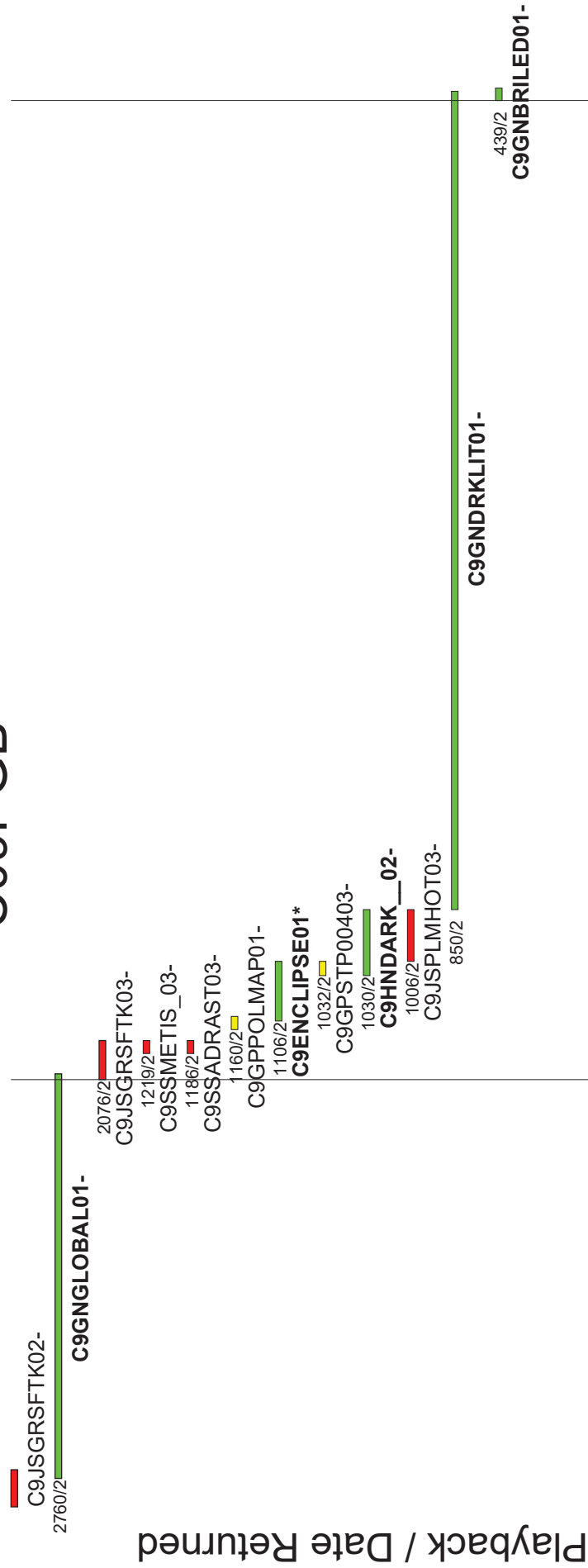
C09PGB



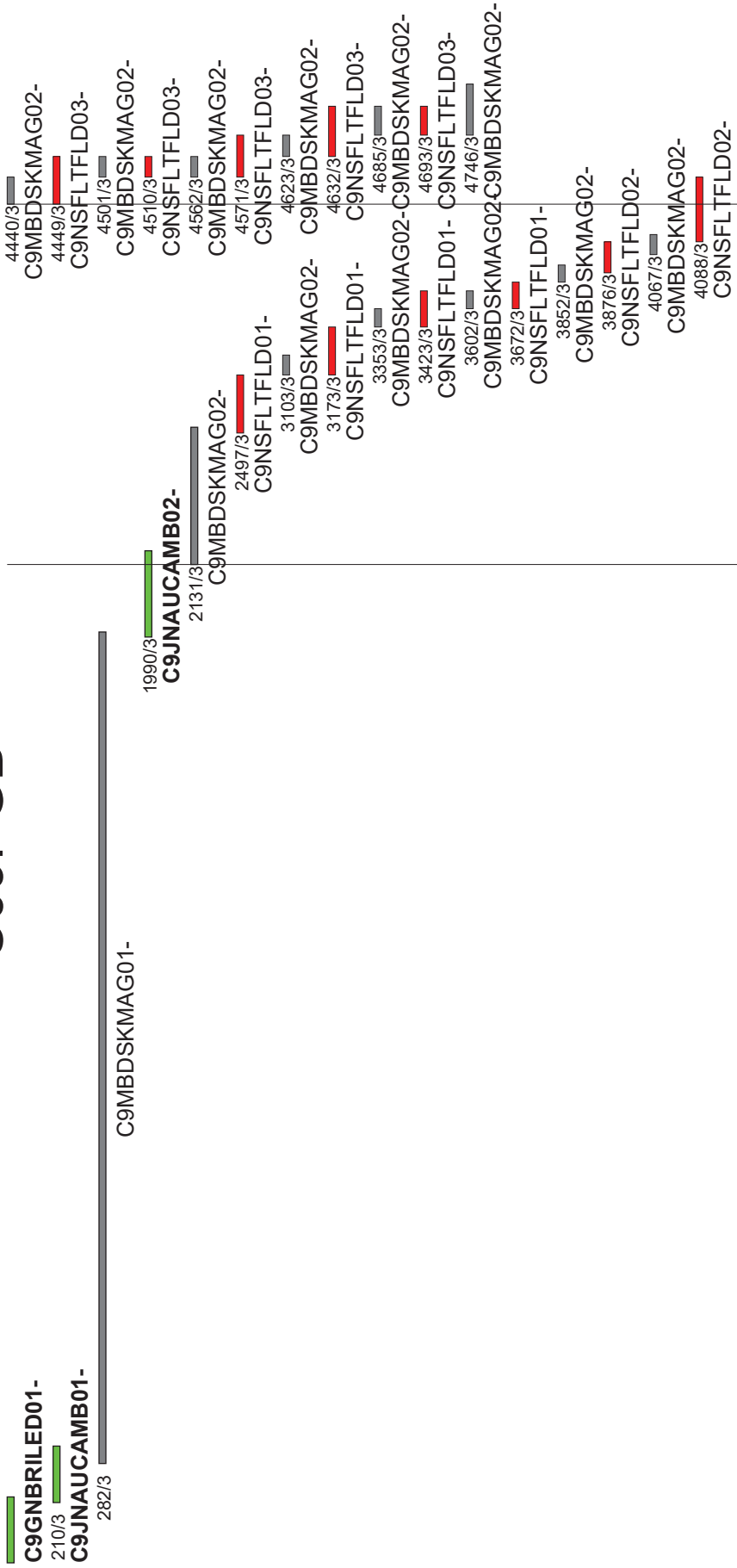
C09PGB



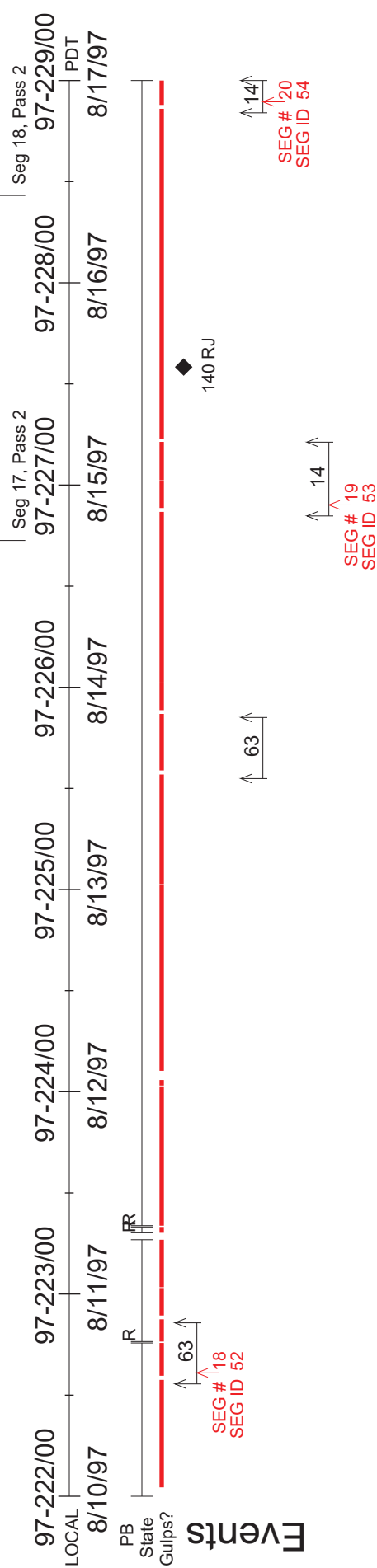
C09PGB



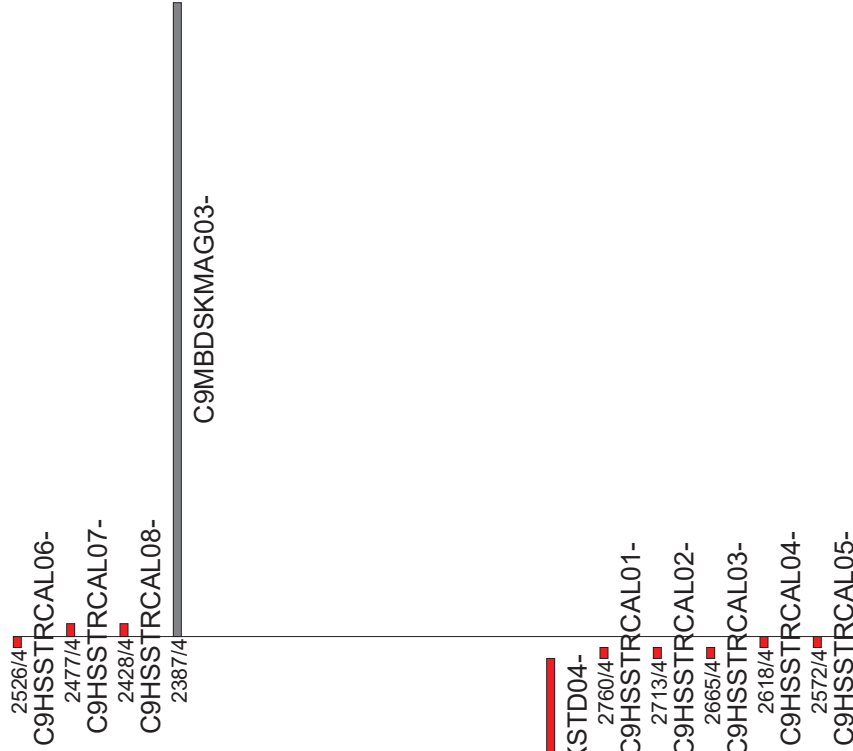
C09PGB



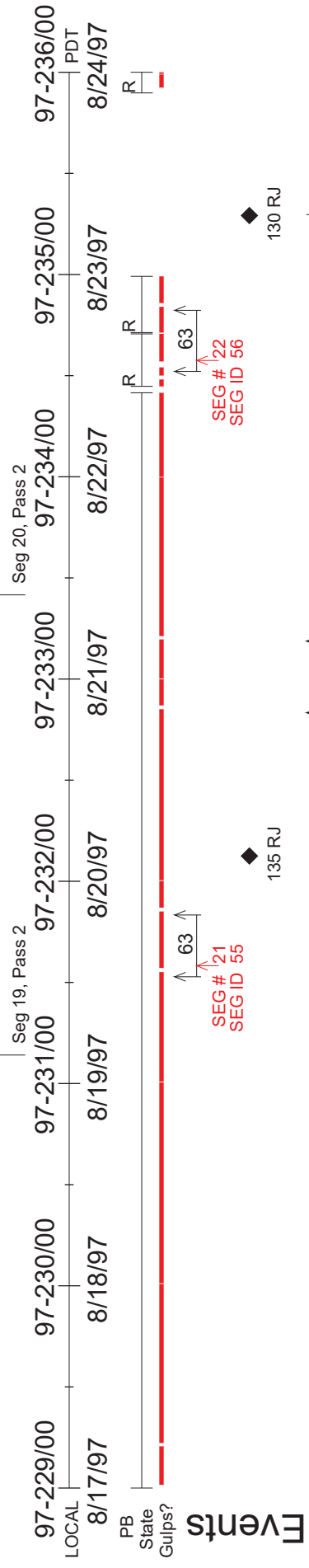
Playback / Date Returned



C09PGB



Playback / Date Returned



Events

C09PGB

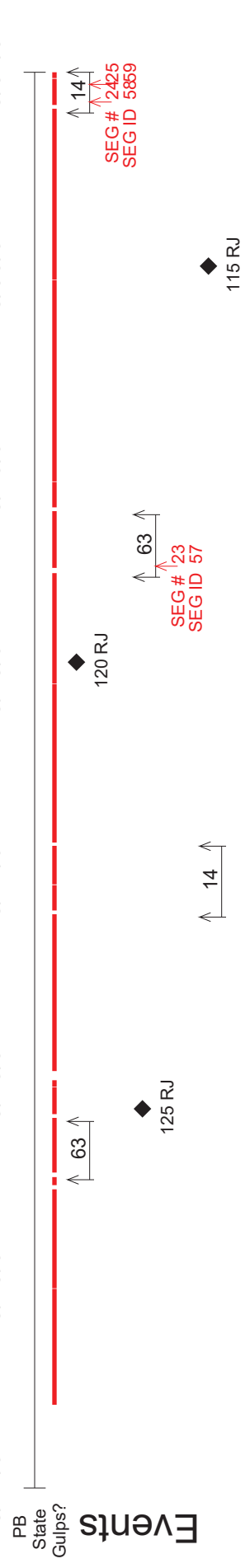
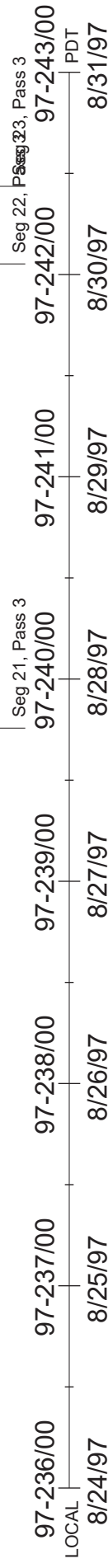
2076/2
C9JSGRSFTK03
1219/2
C9SSMETIS_03-
1006/2
C9JSPLMHOT03-
348/3
C9MBDWNMAG01-

352/4
C9NIMCALCOL01-
683/1
C9CNANARR_01-
1215/1
C9CBSATCA_01-
1632/1
C9CSCRATER01-
2256/1
C9CNSKULD 01-
2398/1
C9CNNOLAT 01-
2617/1
C9CSVALHAL01-
5572/1
C9CNVALSPC01-
5674/1
C9CSVALHAL02-
5978/2
C9CNVALHAL01-

5551/2
C9JSGRSFTK01-
5230/2
C9JSPLMHOT01-
4527/2
C9JSPLMHOT02-
3823/2
C9JSGRSFTK02-

1634/4
C9MBDSKMAG03-
C9MBAPOJOV01-

Playback / Date Returned

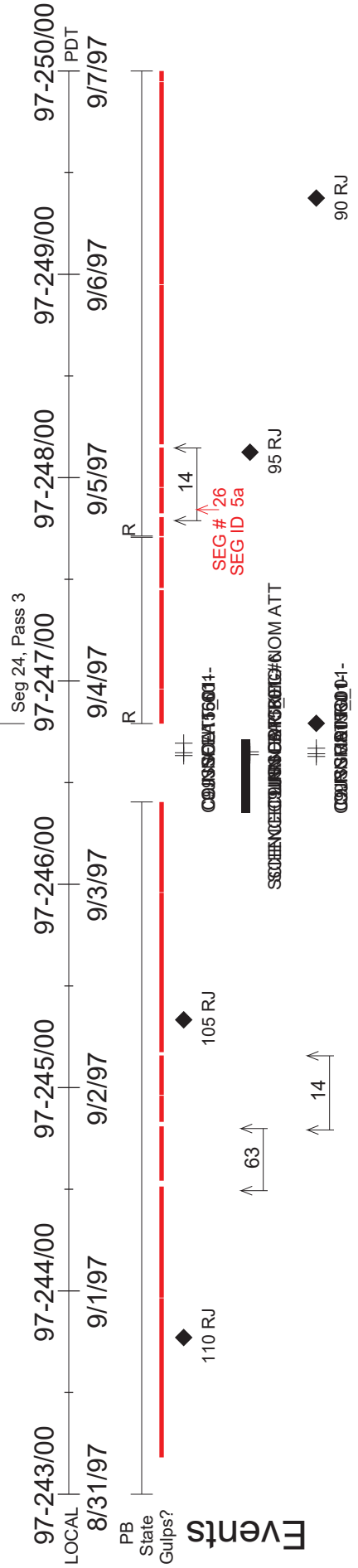


C09PGB

C9MBDWNMAG01-

- 2243/3
- C9JNGRS15601-
- 2256/3
- C9JNSOU15601-
- 2269/3
- C9JNNOR15601-
- 2289/3
- C9JSSCATT_01-
- 3553/3
- C9RNMRRING_01-
- 3611/3
- C9JNFEA15601-

Playback / Date Returned



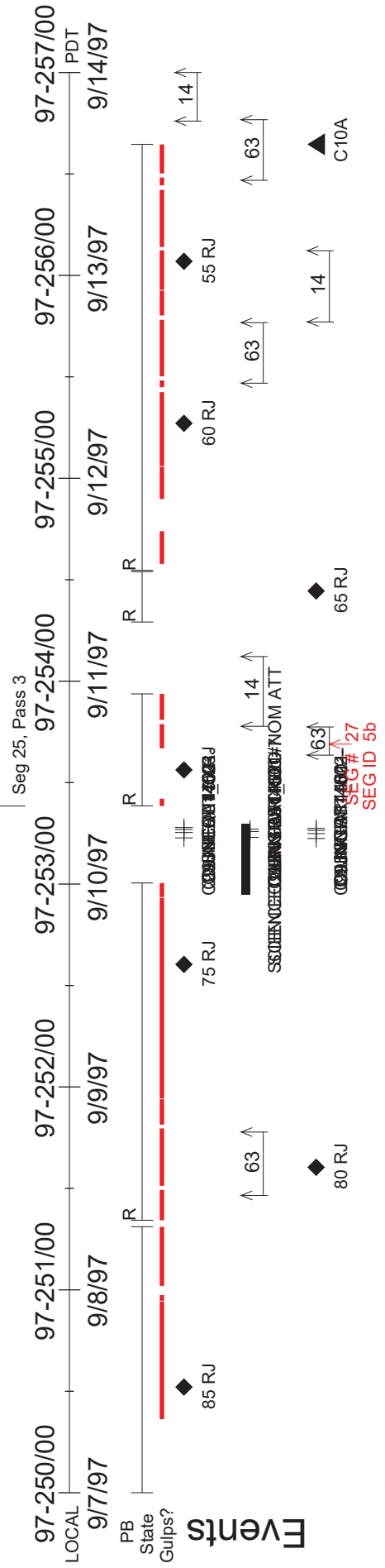
C09PGB

3845/3

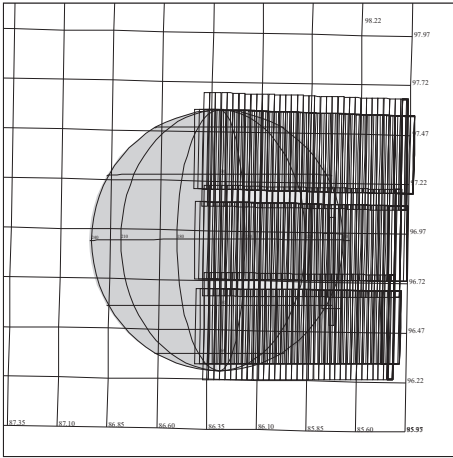
C9JSSCATT_02-

- 5748/3 ■
- C9JNFEA14501-
- 5761/3 ■
- C9JNFEA14502-
- 5775/3 ■
- C9JNGRS14501-
- 5788/3 ■
- C9JNGRS14502-
- 5801/3 ■
- C9JNFEA14503
- 5815/3 ■
- C9JNSOU14501-
- 5828/3 ■
- C9JNNOR14501-
- 5841/3 ■
- C9JNEQU14501-

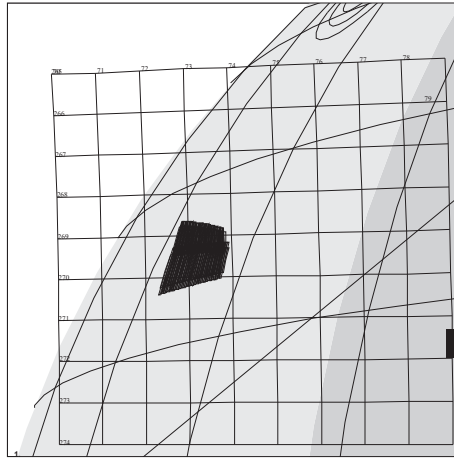
Playback / Date Returned



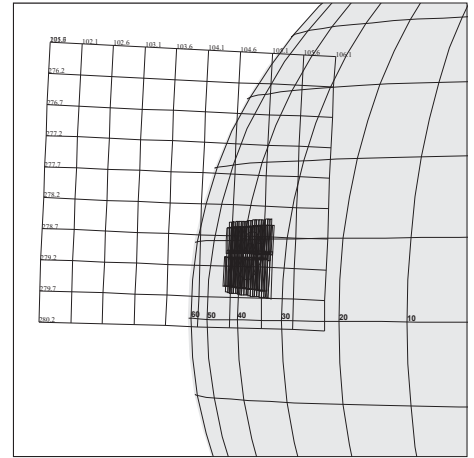
C9 NIMS A



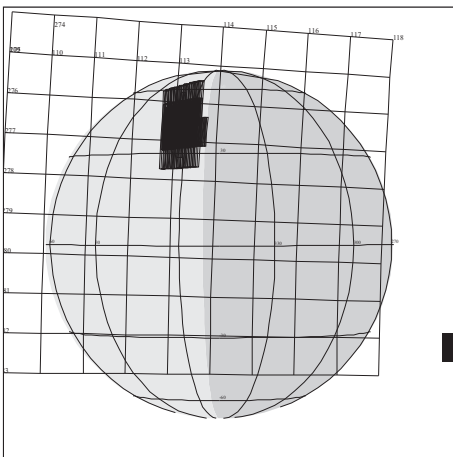
C9CNGLOBAL01
97-176/06:23:14



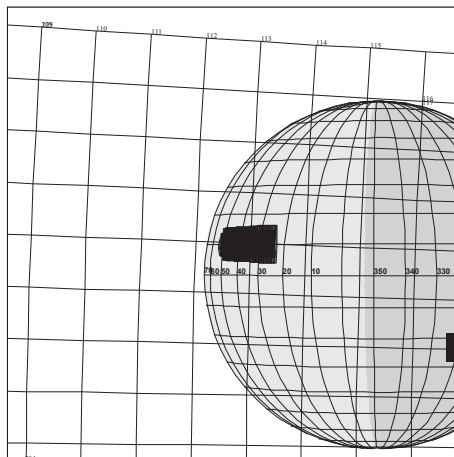
C9CNANARR_01
97-176/13:55:12



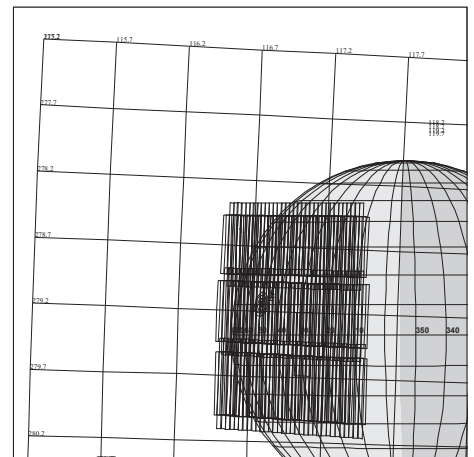
C9CNSKULD_01
97-176/14:25:32



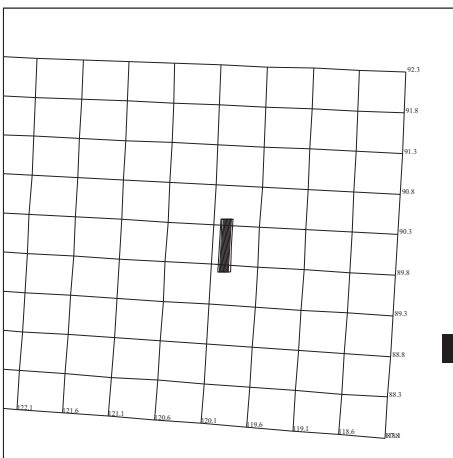
C9CNNOLAT_01
97-176/14:56:52



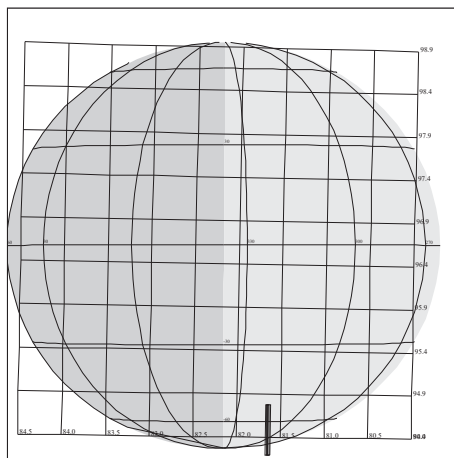
C9CNVALSPC01
97-176/15:15:04



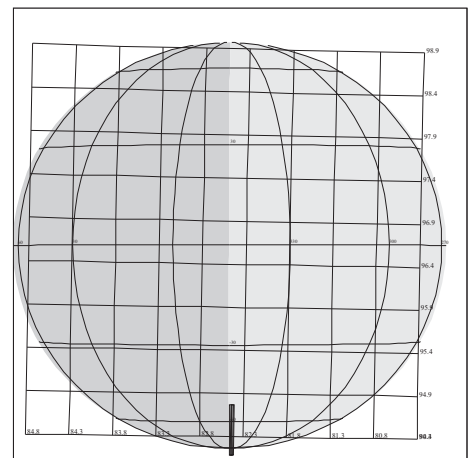
C9CNVALHAL01
97-176/17:47:45



C9HNDARK__01
97-176/18:21:07

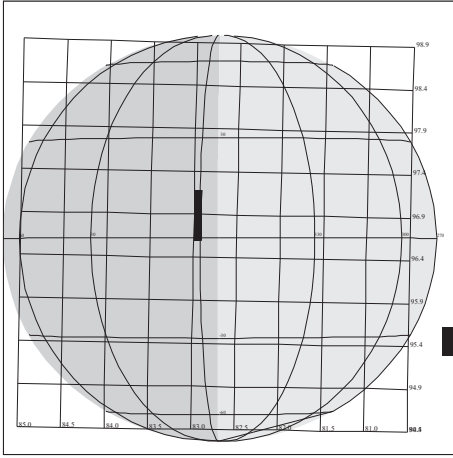


C9JNSRTAUR01
97-176/21:33:14

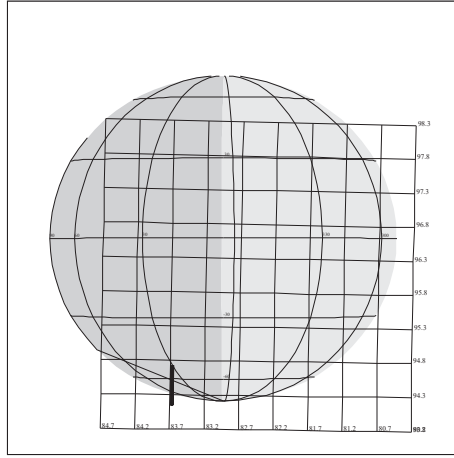


C9JNSRTAUR02
97-176/21:49:24

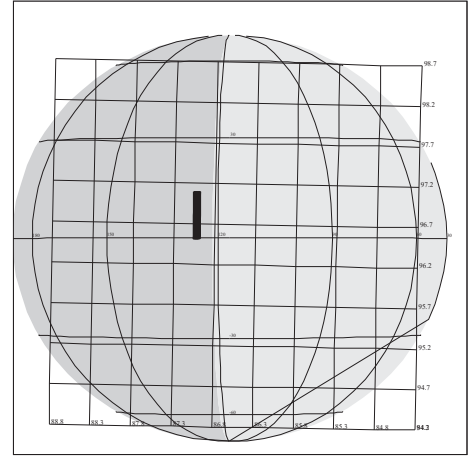
C9 NIMS B



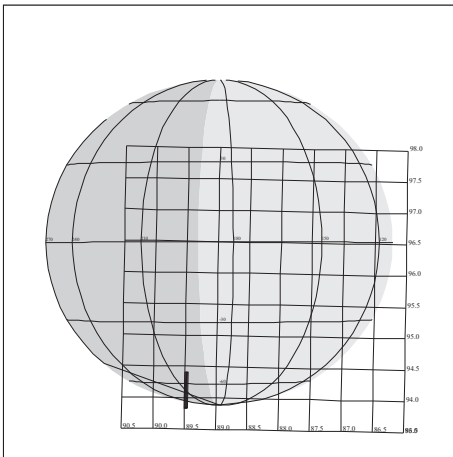
C9JNRTHOTS01
97-176/22:05:35



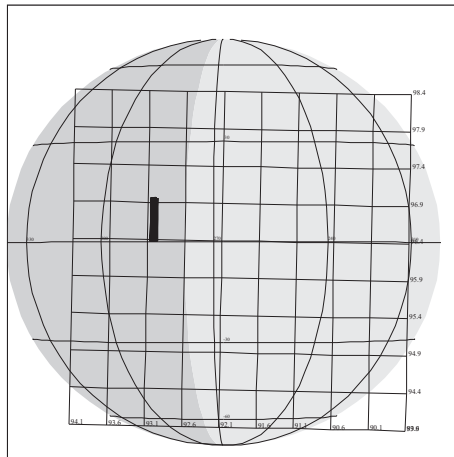
C9JNSRTAUR03
97-176/22:19:44



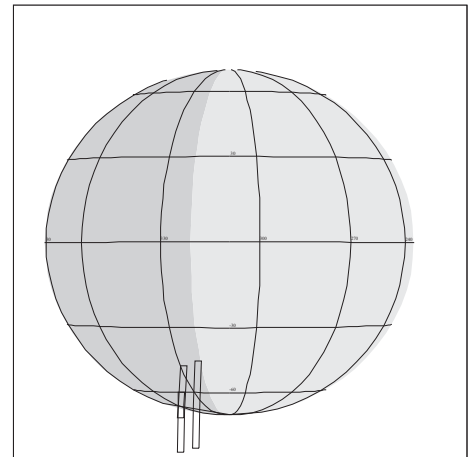
C9JNRTHOTS02
97-177/01:35:54



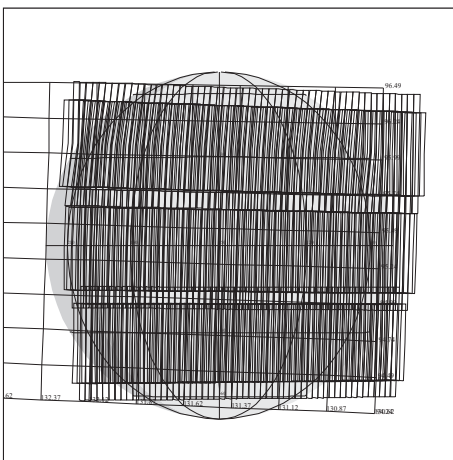
C9JNSRTAUR06
97-177/03:29:08



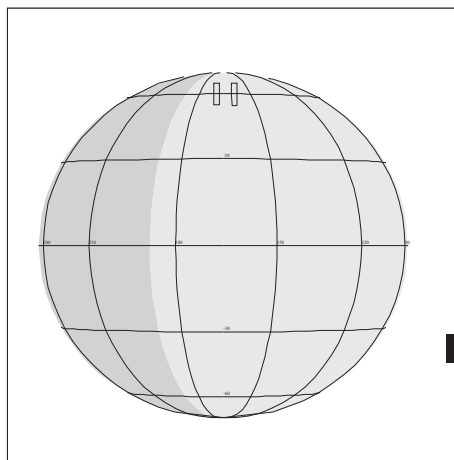
C9JNRTHOTS03
97-177/05:52:43



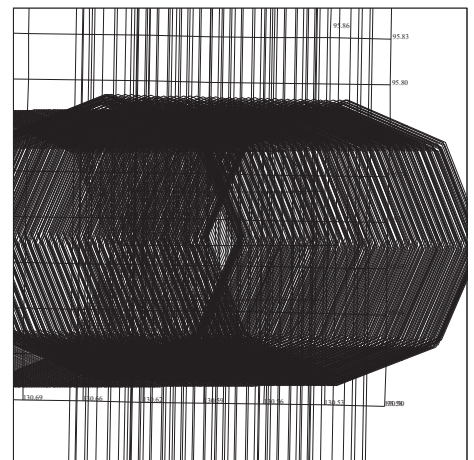
C9JNAURMAP01
97-177/07:33:50



C9GNGLOBAL01
97-177/11:48:38

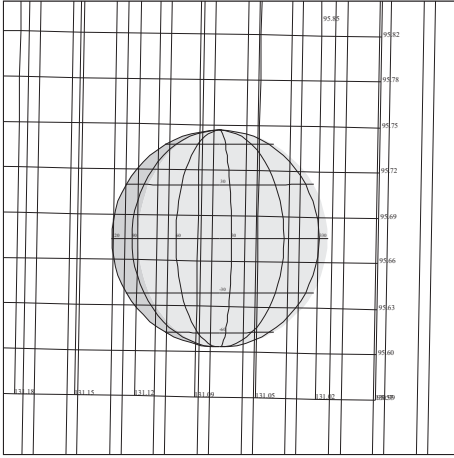


C9JNAURMAP02
97-177/13:20:38

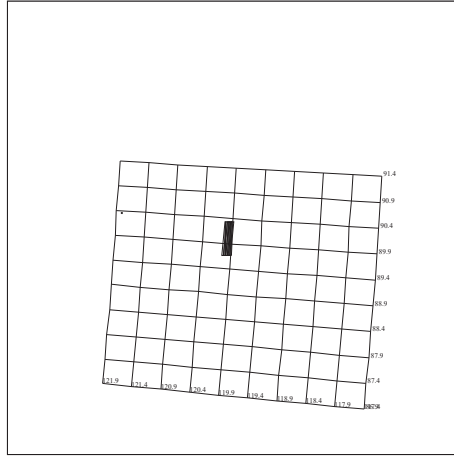


C9ENCLIPSE01
97-177/15:57:22

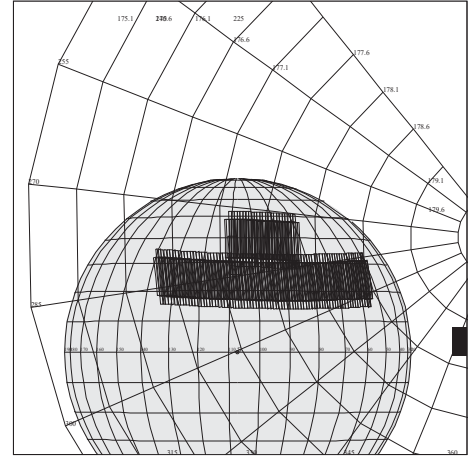
C9 NIMS C



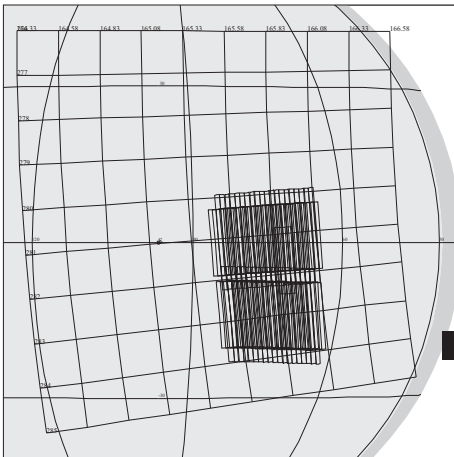
C9ENRTECLI01
97-177/16:06:28



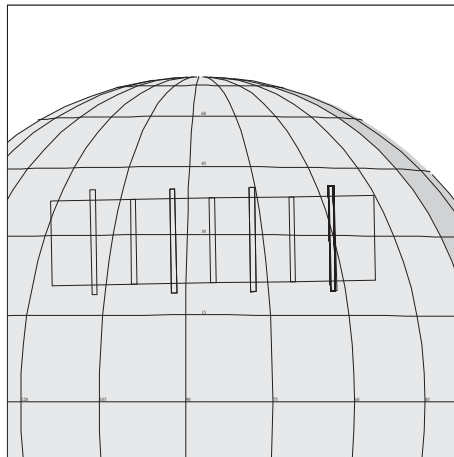
C9HNDARK__02
97-177/16:35:47



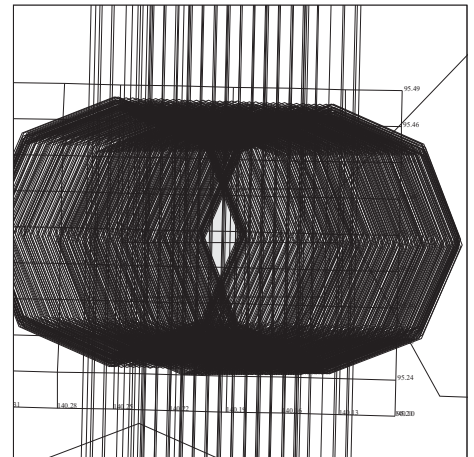
C9GNDRKLIT01
97-177/16:48:56



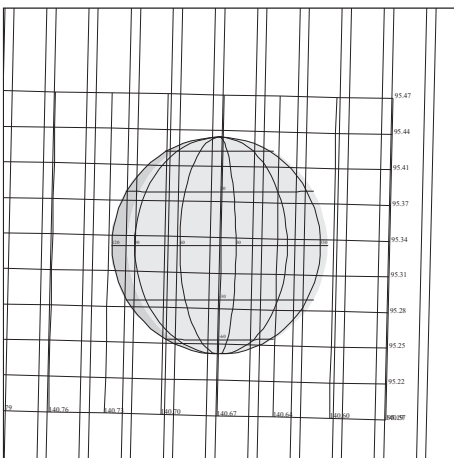
C9GNBRILED01
97-177/17:22:18



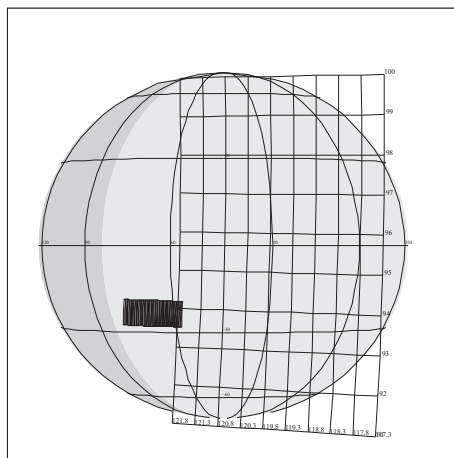
C9GNRTSULC01
97-177/17:55:00



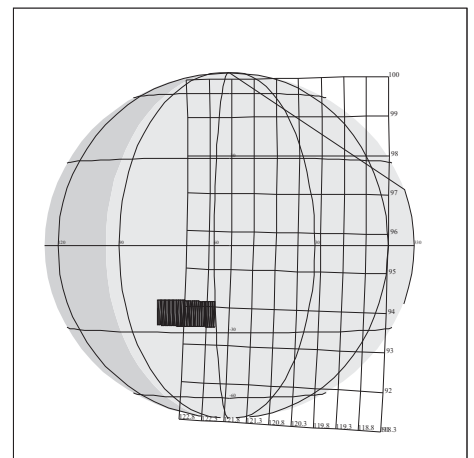
C9ENCLIPSE03
97-177/18:46:13



C9ENRTECLI03
97-177/18:55:19

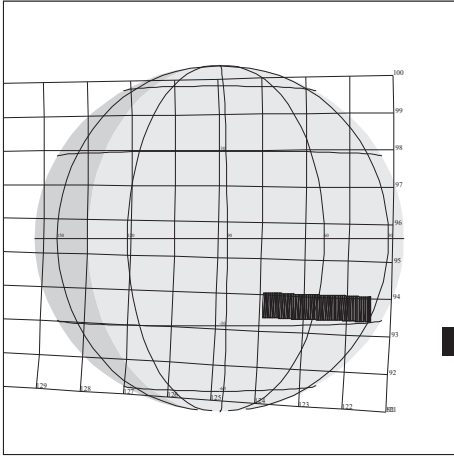


C9JNGRS05101
97-177/20:20:15

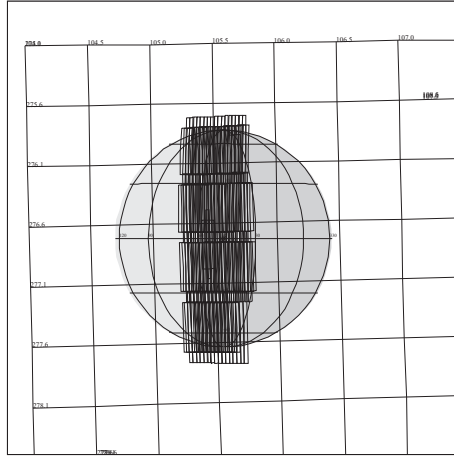


C9JNGRS05102
97-177/20:40:28

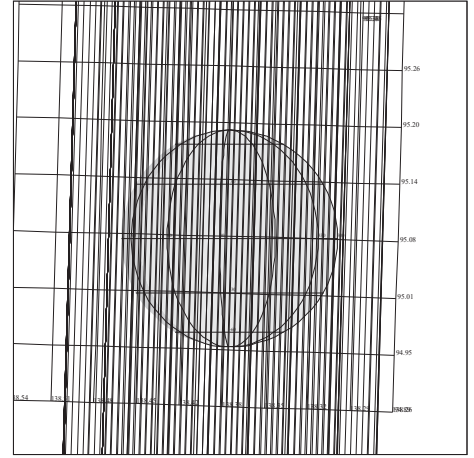
C9 NIMS D



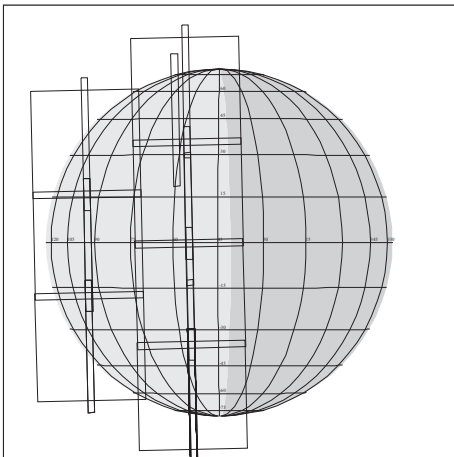
C9JNGRS05103
97-177/21:46:12



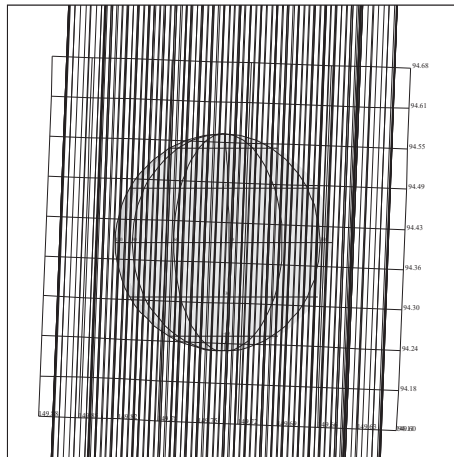
C9GNGLOBAL02
97-177/21:54:17



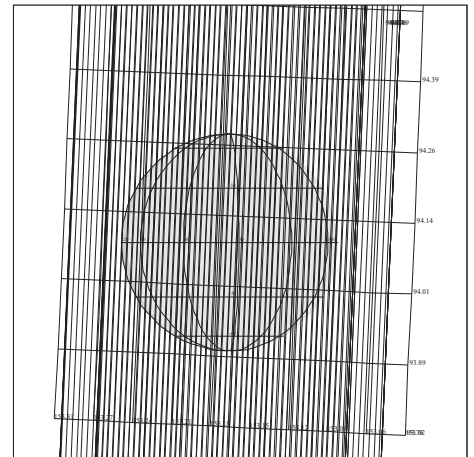
C9INCOOLCV01
97-177/22:44:50



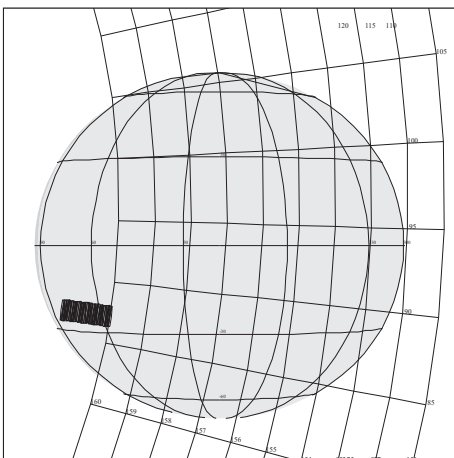
C9GNRTGLOB01
97-177/23:20:00



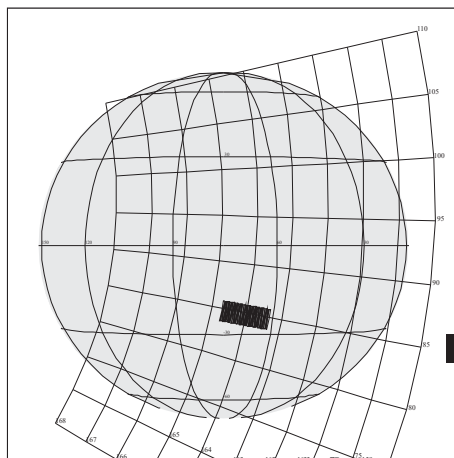
C9INWARMCV01
97-178/01:00:20



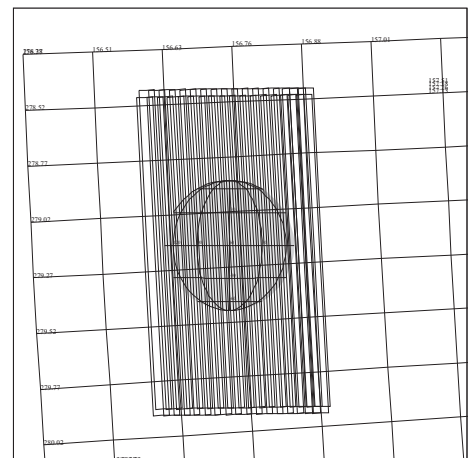
C9INWARMCV02
97-178/01:39:46



C9JNGRS01102
97-178/06:35:00

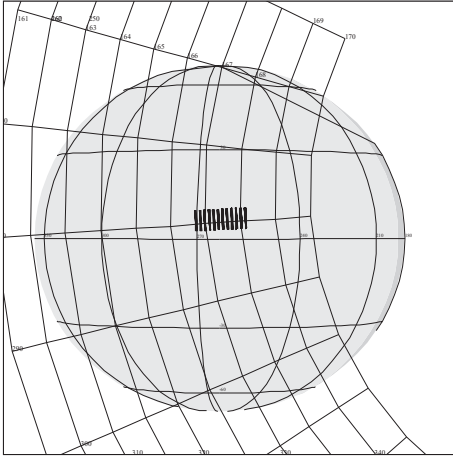


C9JNGRS01103
97-178/08:20:10

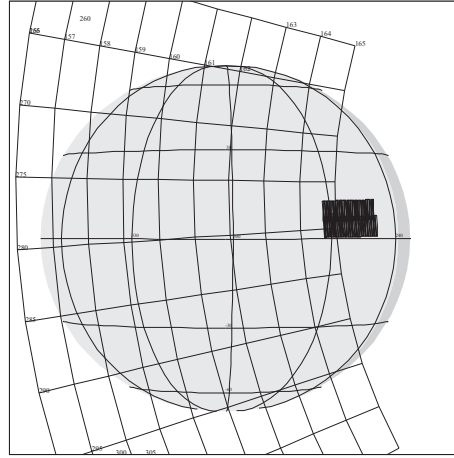


C9INCHEMIS01
97-178/10:32:37

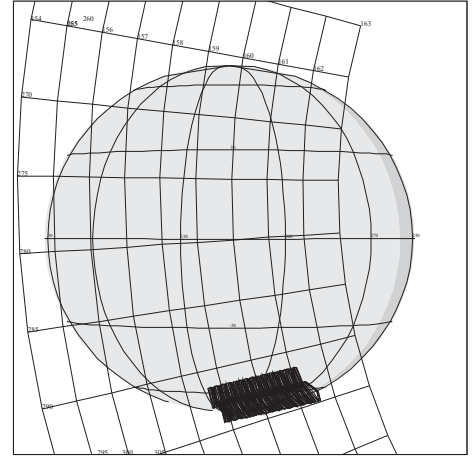
C9 NIMS E



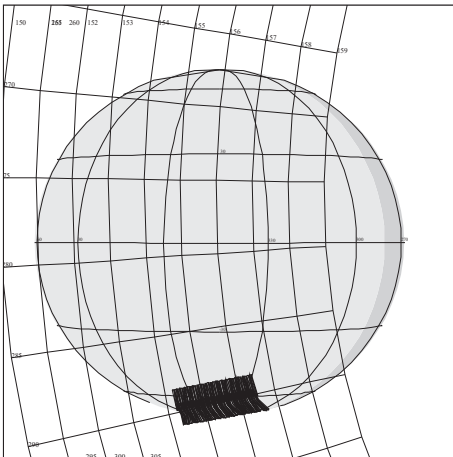
C9JNFEAFUL01
97-178/14:18:06



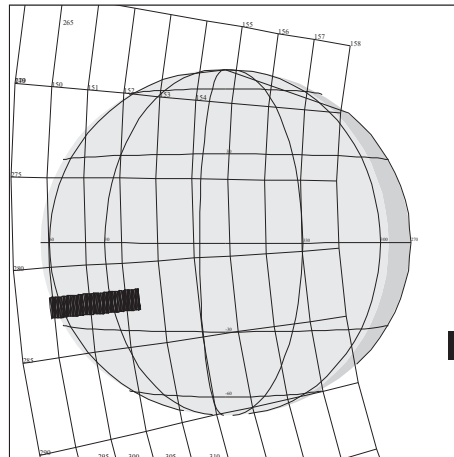
C9JNFEA01504
97-178/15:32:55



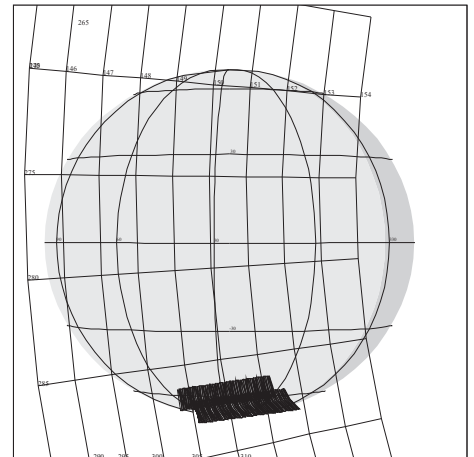
C9JNSPOLEM04
97-178/15:56:10



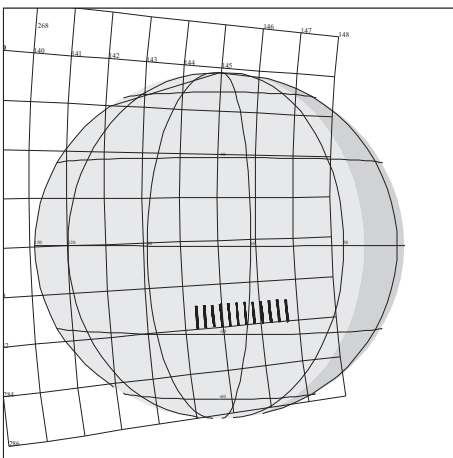
C9JNSPOLEM05
97-178/16:44:42



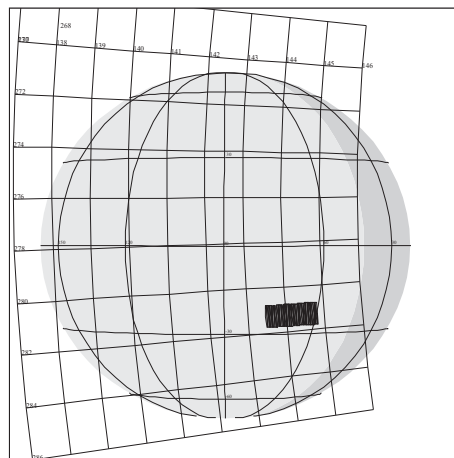
C9JNGRS03901
97-178/17:04:56



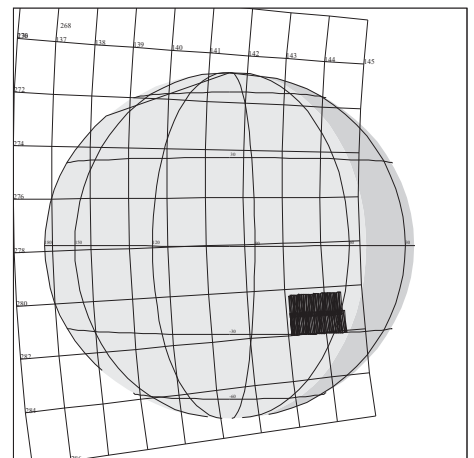
C9JNSPOLEM06
97-178/18:06:36



C9JNGRSFUL01
97-178/19:27:30

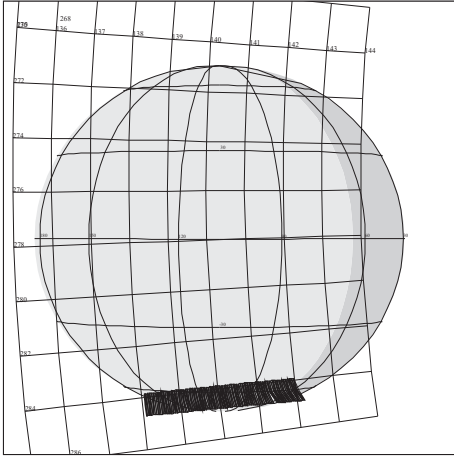


C9JNGRS03902
97-178/20:08:57

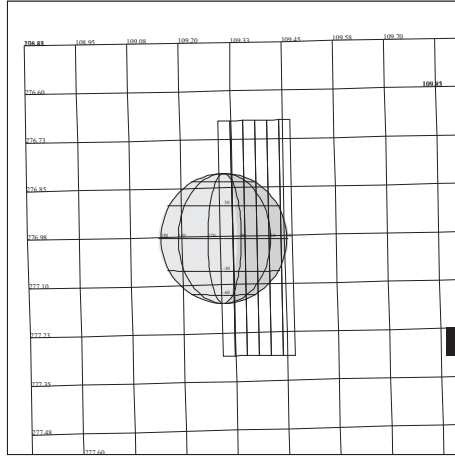


C9JNGRS03903
97-178/20:20:04

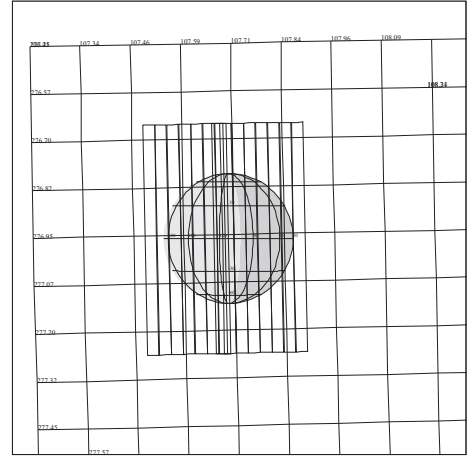
C9 NIMS F



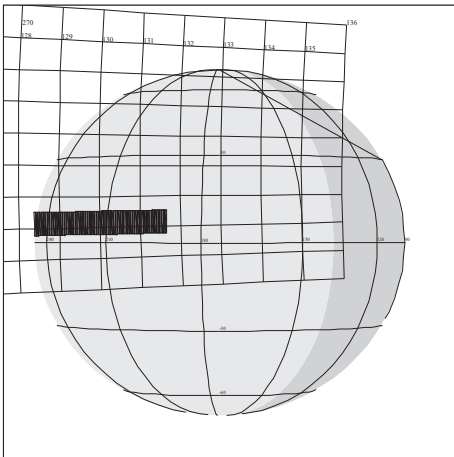
C9JNSPOLEM08
97-178/20:32:12



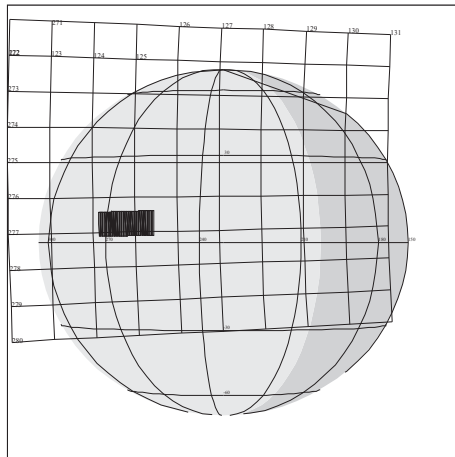
C9INVOLCAN01
97-178/21:32:52



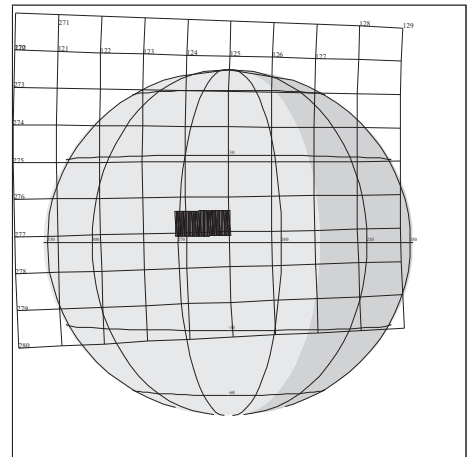
C9INCHEMIS03
97-178/22:27:28



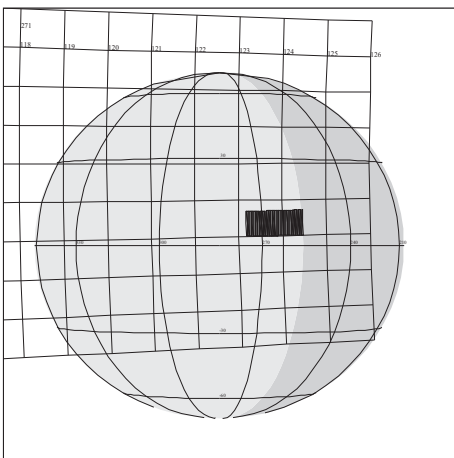
C9JNFEA05701
97-178/22:42:38



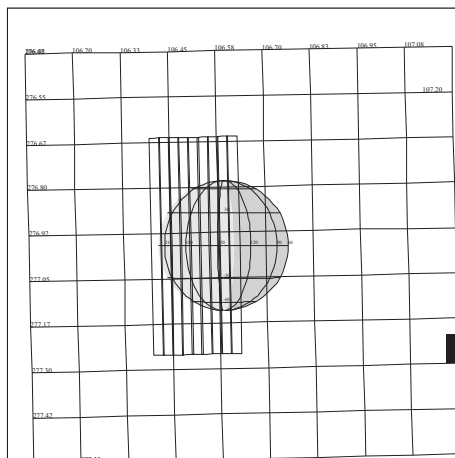
C9JNFEA05702
97-179/00:28:48



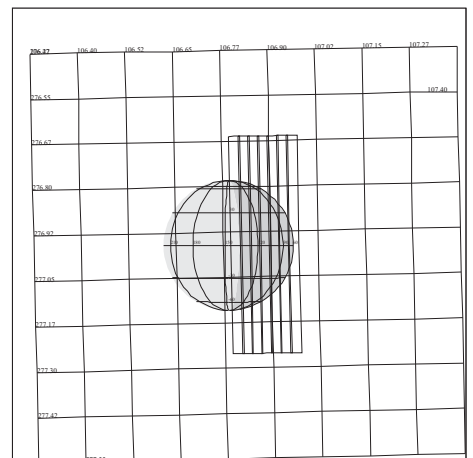
C9JNFEA05703
97-179/01:09:15



C9JNFEA05704
97-179/01:57:47

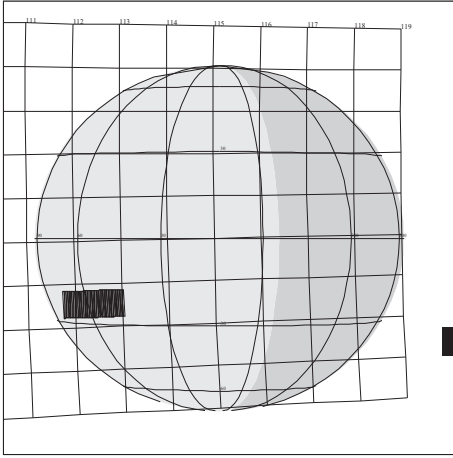


C9INHRSPEC01
97-179/02:28:07

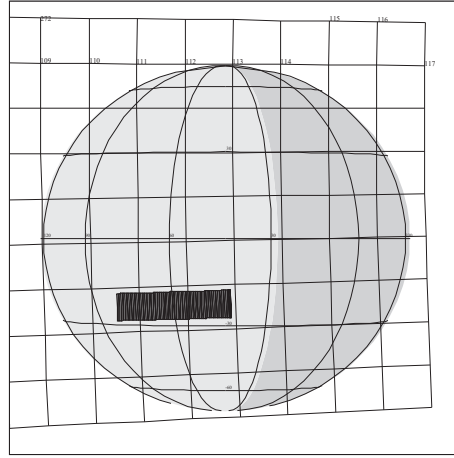


C9INNSPEC_01
97-179/02:41:16

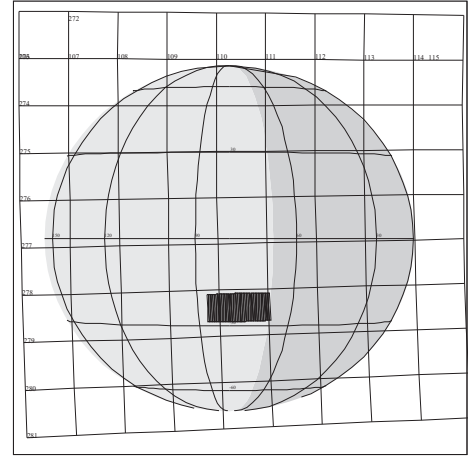
C9 NIMS G



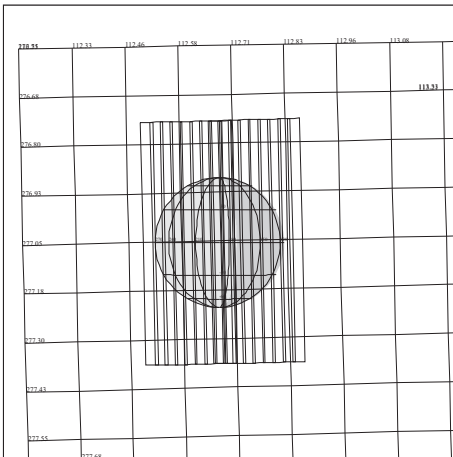
C9JNGRS07501
97-179/04:39:34



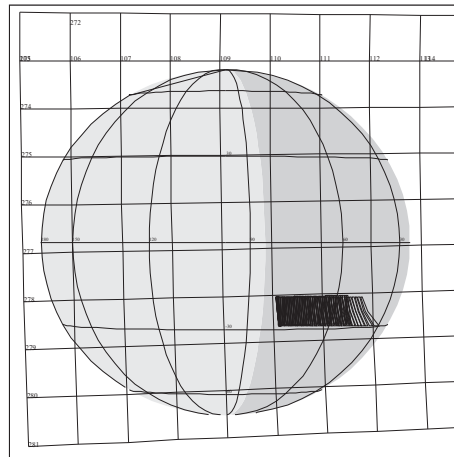
C9JNGRS07502
97-179/05:34:10



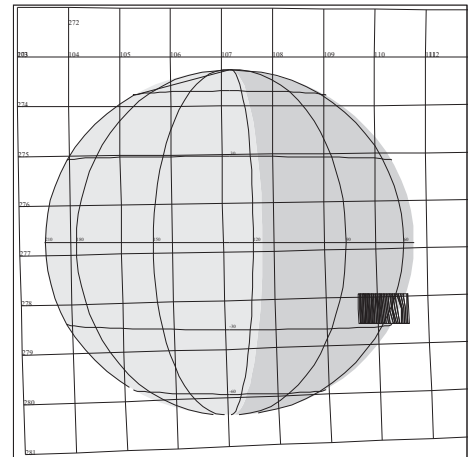
C9JNGRS07504
97-179/06:38:52



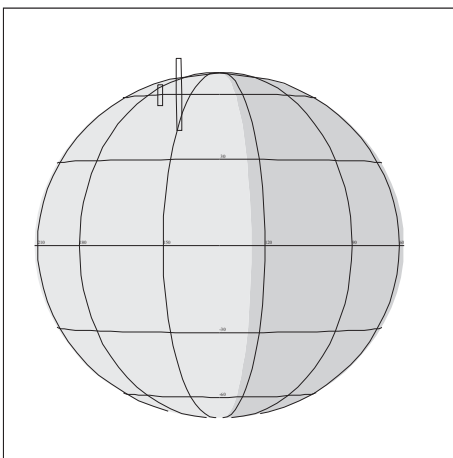
C9INCHEMIS04
97-179/06:54:02



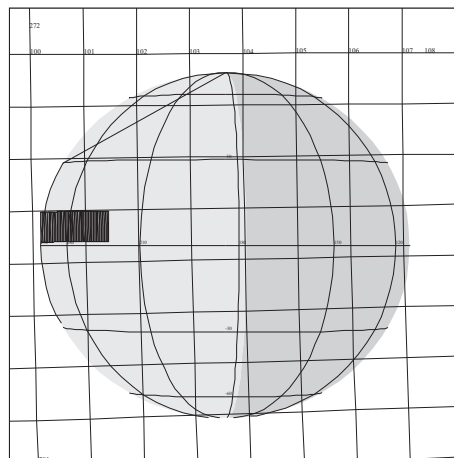
C9JNGRS53M01
97-179/07:09:02



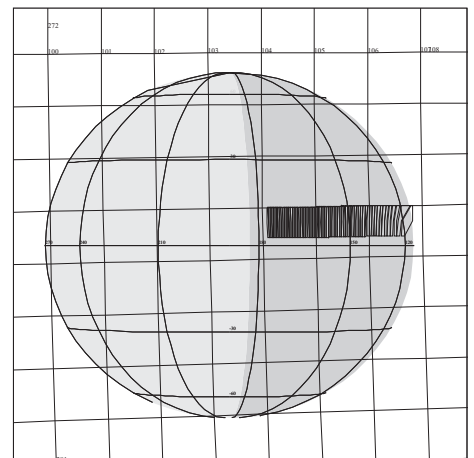
C9JNGRS5UM01
97-179/08:01:47



C9JNAURMAP03
97-179/08:37:10

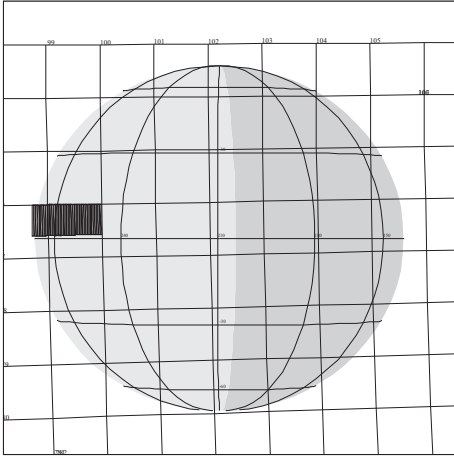


C9JNFEA08501
97-179/09:43:56

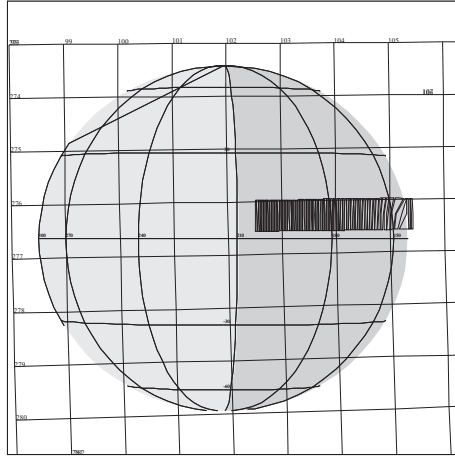


C9JNTHRCYL03
97-179/09:52:02

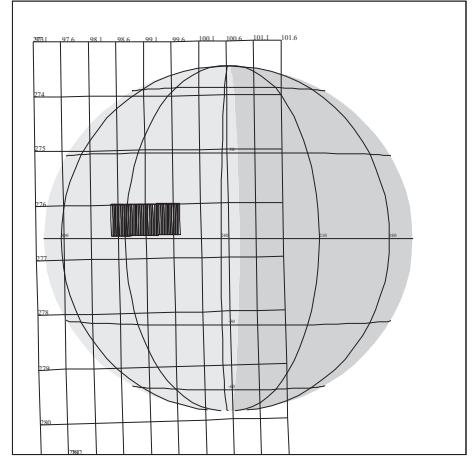
C9 NIMS H



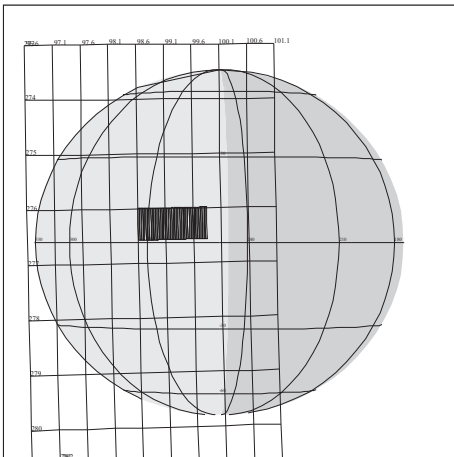
C9JNFEA08502
97-179/10:26:02



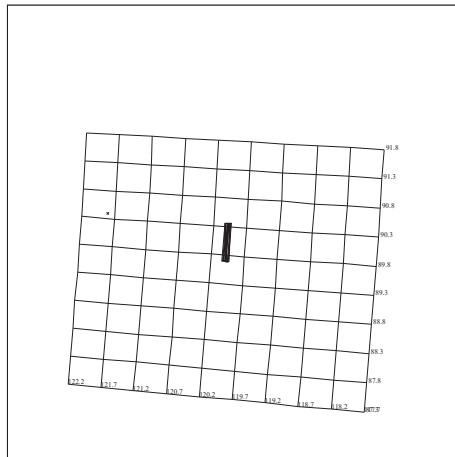
C9JNTHRCYL04
97-179/10:37:02



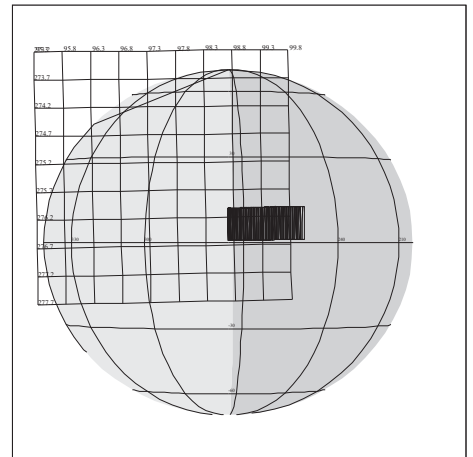
C9JNFEA08503
97-179/11:15:55



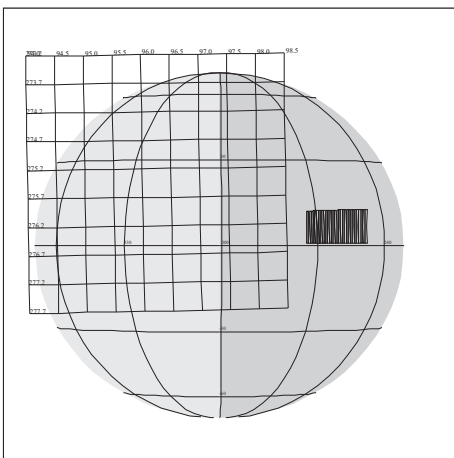
C9JNFEA08504
97-179/11:34:02



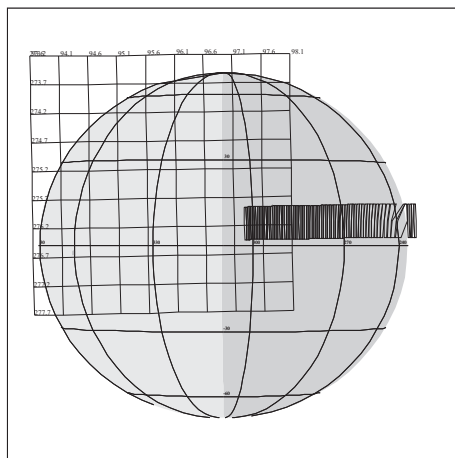
C9HNDARK__04
97-179/12:13:33



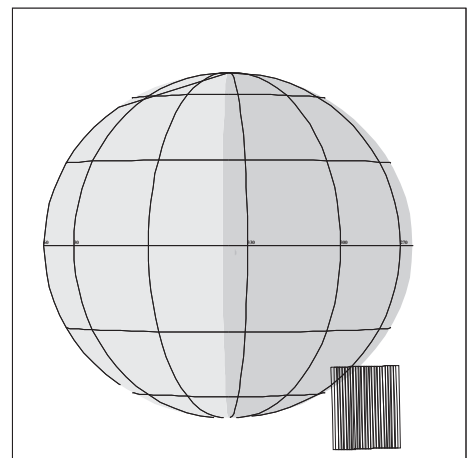
C9JNFEA53M01
97-179/12:20:38



C9JNFEA5UM01
97-179/13:05:07

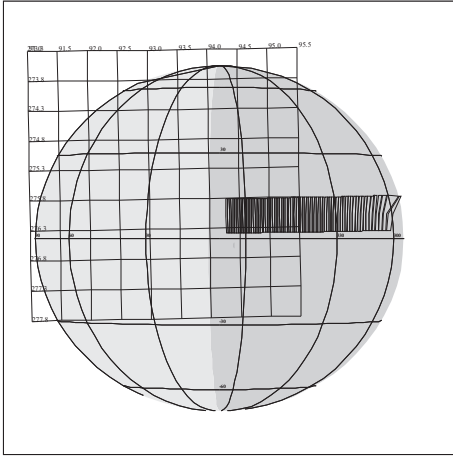


C9JNTHRCYL06
97-179/13:20:02

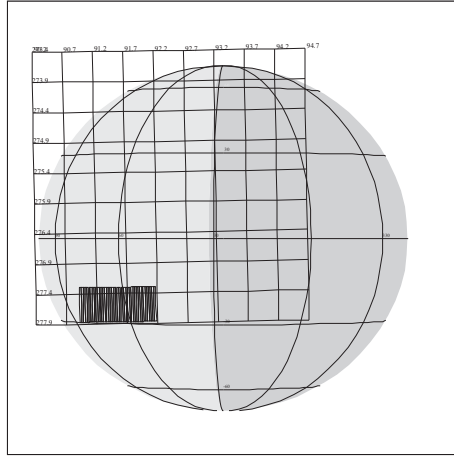


C9JNAURVAR01
97-179/14:05:47

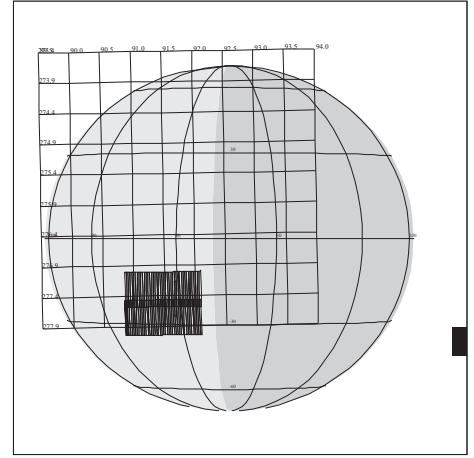
C9 NIMS I



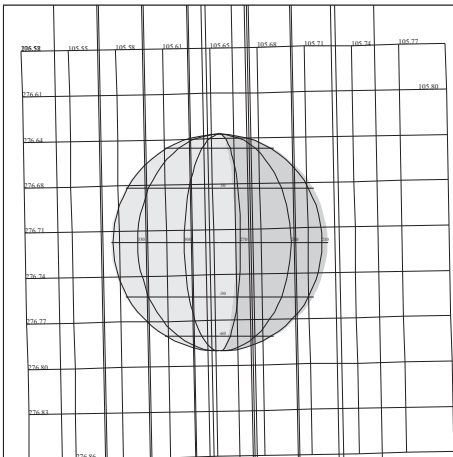
C9JNTHRCYL07
97-179/15:01:24



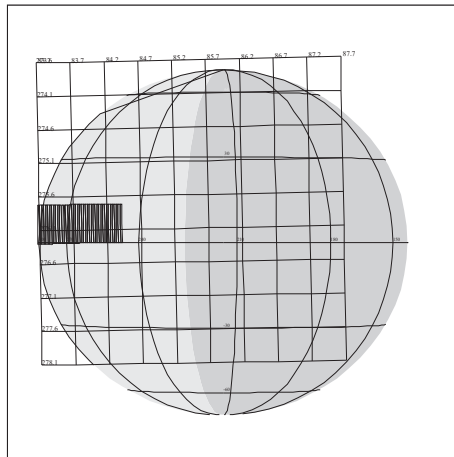
C9JNGRS09501
97-179/15:34:46



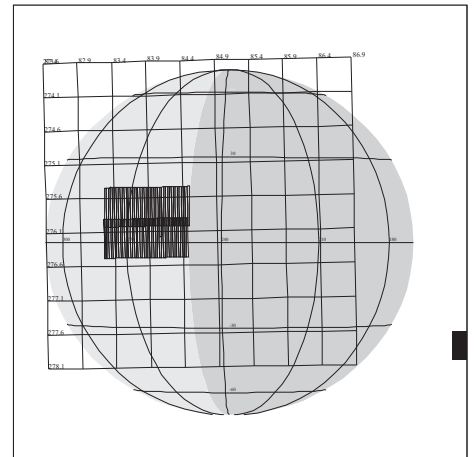
C9JNGRS09502
97-179/16:04:05



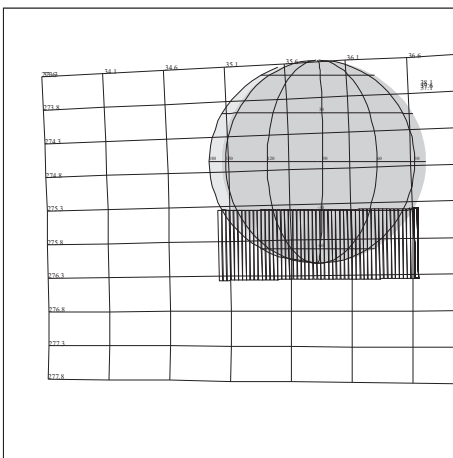
C9INCHEMIS06
97-179/18:39:48



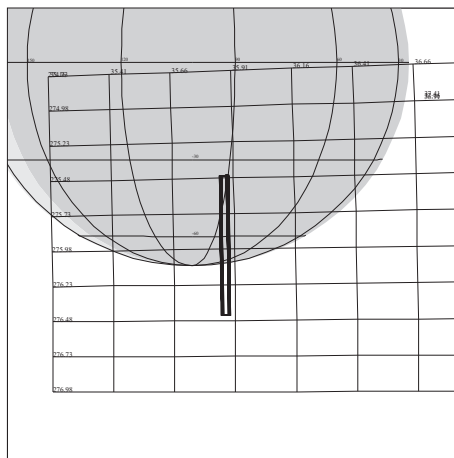
C9JNFEA10201
97-179/20:56:18



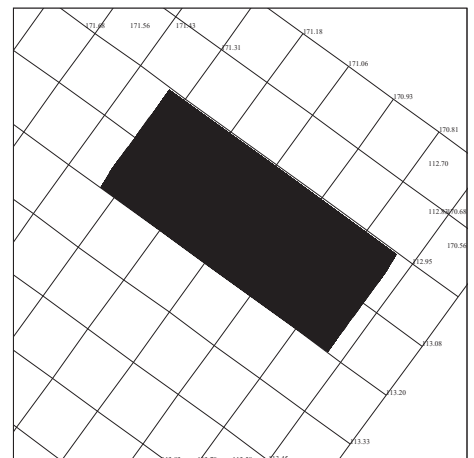
C9JNFEA10202
97-179/21:36:44



C9JNAUCAMB01
97-185/13:55:35

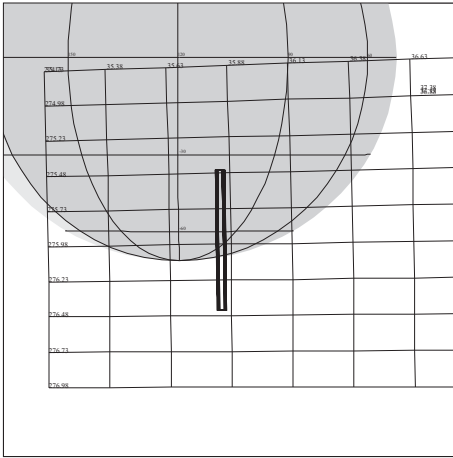


C9JNAURRTB01
97-185/14:09:45

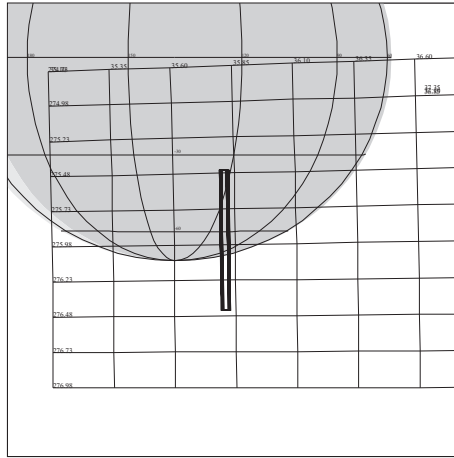


C9HNSTRCAL01
97-185/14:19:51

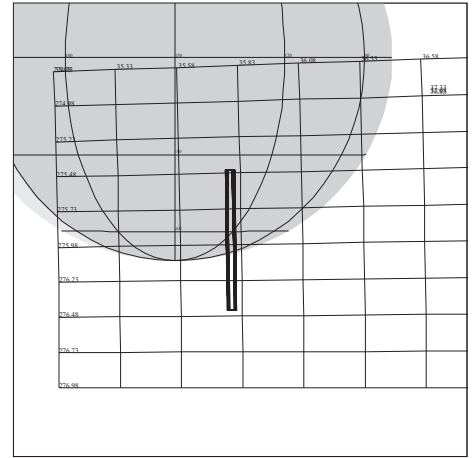
C9 NIMS J



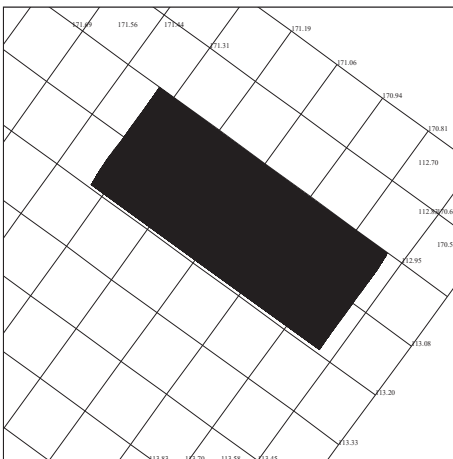
C9JNAURRTB02
97-185/14:40:05



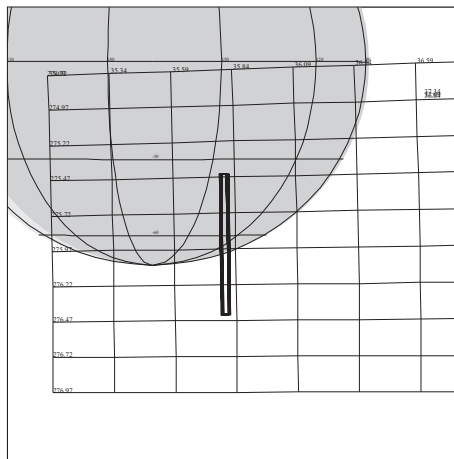
C9JNAURRTB03
97-185/15:10:25



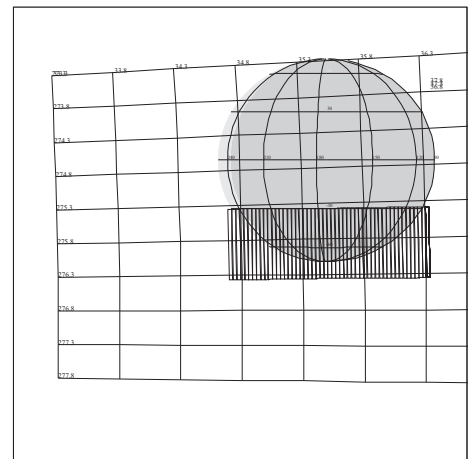
C9JNAURRTB04
97-185/15:30:38



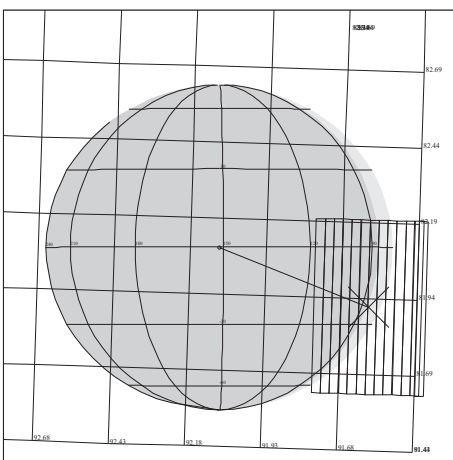
C9HNSTRCAL02
97-185/15:40:45



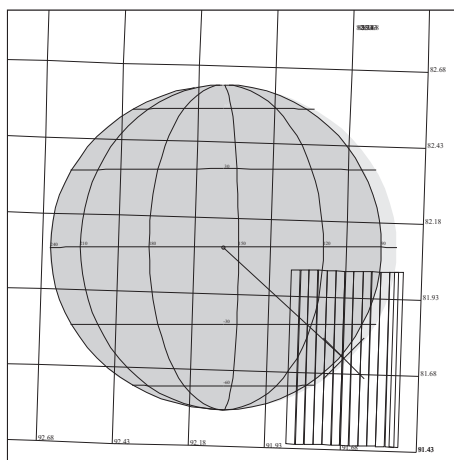
C9JNAURRTB05
97-185/16:00:58



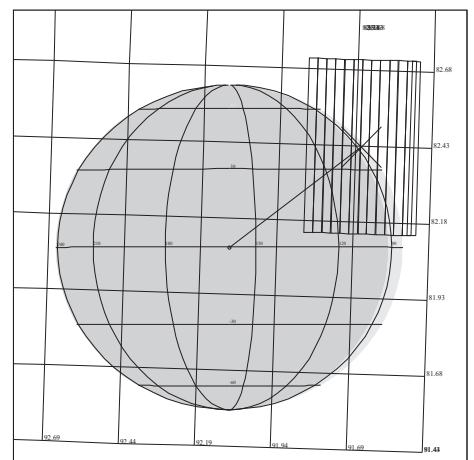
C9JNAUCAMB02
97-185/16:12:05



C9JNGRS15601
97-246/22:03:10

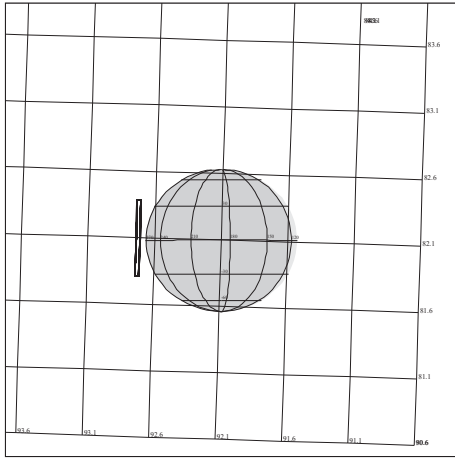


C9JNSOU15601
97-246/22:09:14

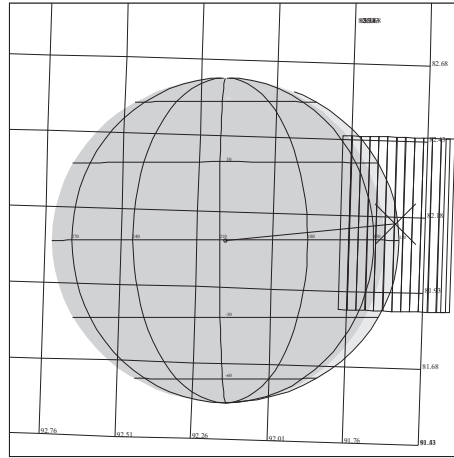


C9JNNOR15601
97-246/22:15:18

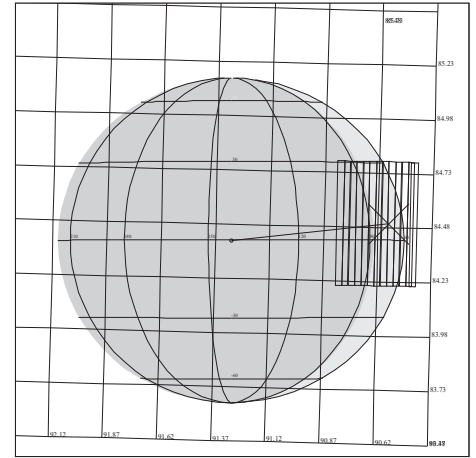
C9 NIMS K



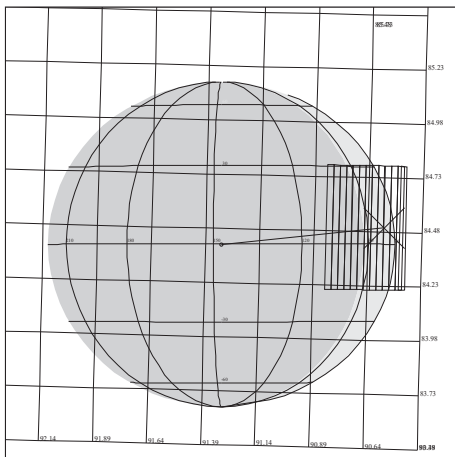
C9RNMRING_01
97-246/23:00:48



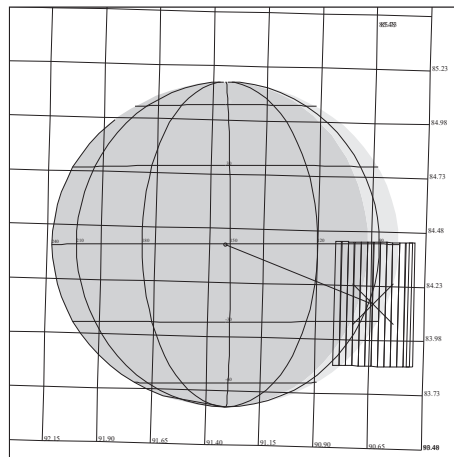
C9JNFEA15601
97-246/23:36:12



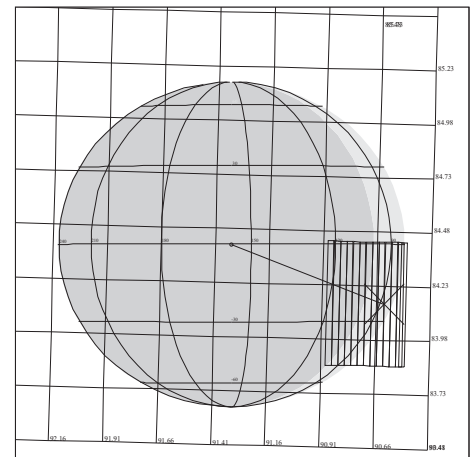
C9JNFEA14501
97-253/12:54:54



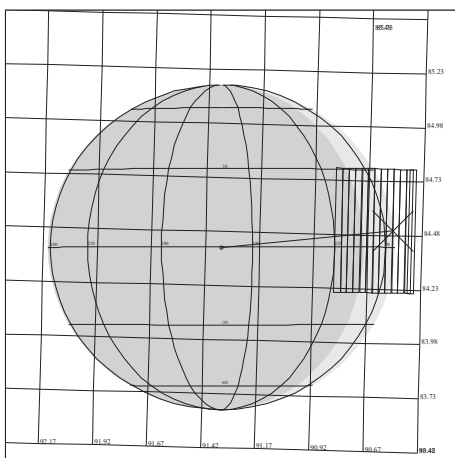
C9JNFEA14502
97-253/13:03:00



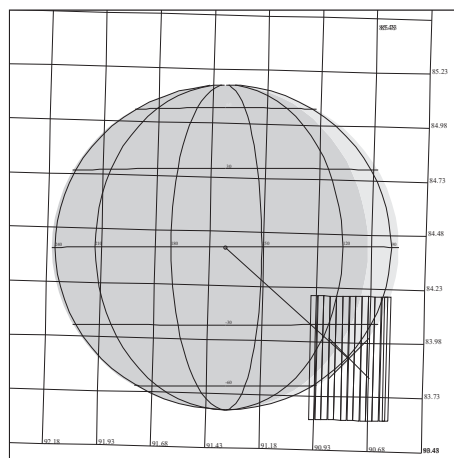
C9JNGRS14501
97-253/13:10:04



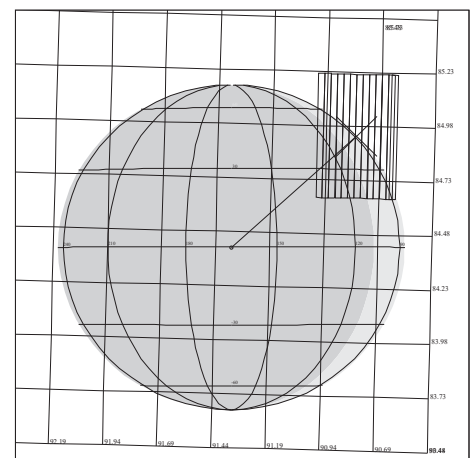
C9JNGRS14502
97-253/13:18:10



C9JNFEA14503
97-253/13:24:14

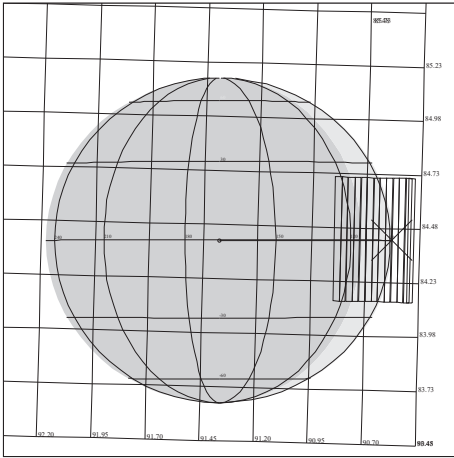


C9JNSOU14501
97-253/13:29:17



C9JNNOR14501
97-253/13:34:20

C9 NIMS L



C9JNEQU14501

97-253/13:39:24

Chapter 3 - Orbit Geometries

Contents

Sub-Section		Page
3.0	Contents	1
3.1	Introduction to Chapter 3	2
3.2	C9 North Trajectory Pole View (apo to apo) ...	3
3.3	C9 North Trajectory Pole View (+/- 5 days) ...	4
3.4	C9 North Trajectory Pole View (+/- 1 day)	5
3.5	Callisto Groundtrack at Closest Approach	6
3.6	Ganymede Groundtrack at closest Approach	7
3.7	Jupiter Groundtrack at closest Approach	8
3.8	Callisto North Trajectory Pole View (+/- 1 hour)	9
3.9	Callisto South Trajectory Pole View (+/- 1 hour)	10
3.10	Ganymede North Trajectory Pole View (+/- 1 hour)	11

Introduction to Chapter 3

This chapter contains diagrams of various aspects of geometry for the C9 Orbit.

The figure on page 3 is a North Trajectory Pole View of the C9 Orbit from apoapsis to apoapsis.

The figure on page 4 is a North Trajectory Pole View of the C9 Orbit from +/- 5 days of Callisto closest approach.

The figure on page 5 is a North Trajectory Pole View of the C9 Orbit from +/- 1 day of Callisto closest approach.

The figure on page 6 shows the spacecraft's groundtrack on Callisto at Callisto closest approach.

The figure on page 7 shows the spacecraft's groundtrack on Ganymede at Ganymede closest approach.

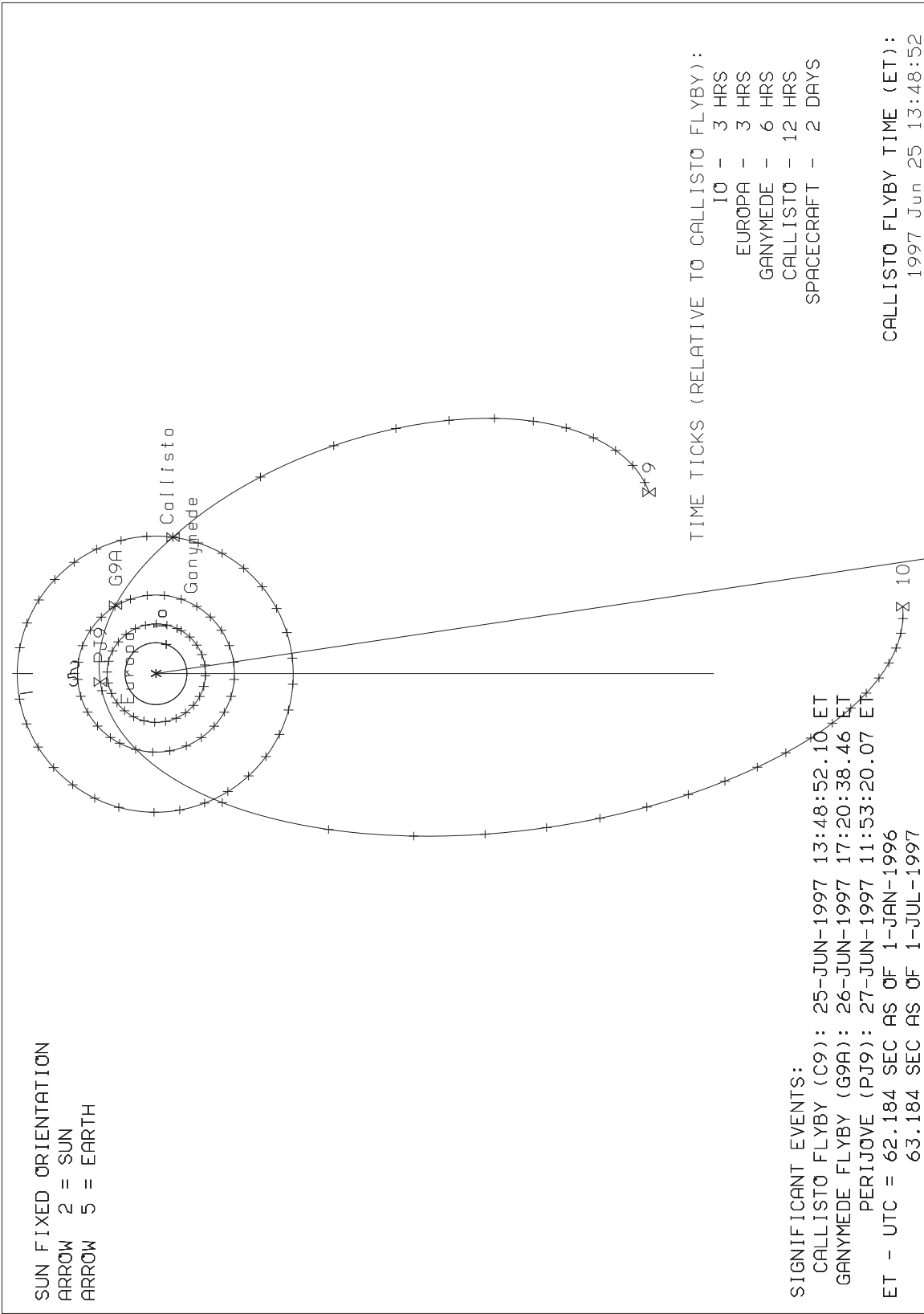
The figure on page 8 shows the spacecraft's groundtrack on Jupiter at Jupiter closest approach.

The figure on page 9 is a North Trajectory Pole View of the C9 Orbit from +/- 1 hour of Callisto closest approach.

The figure on page 10 is a South Trajectory Pole View of the C9 Orbit from +/- 1 hour of Callisto closest approach.

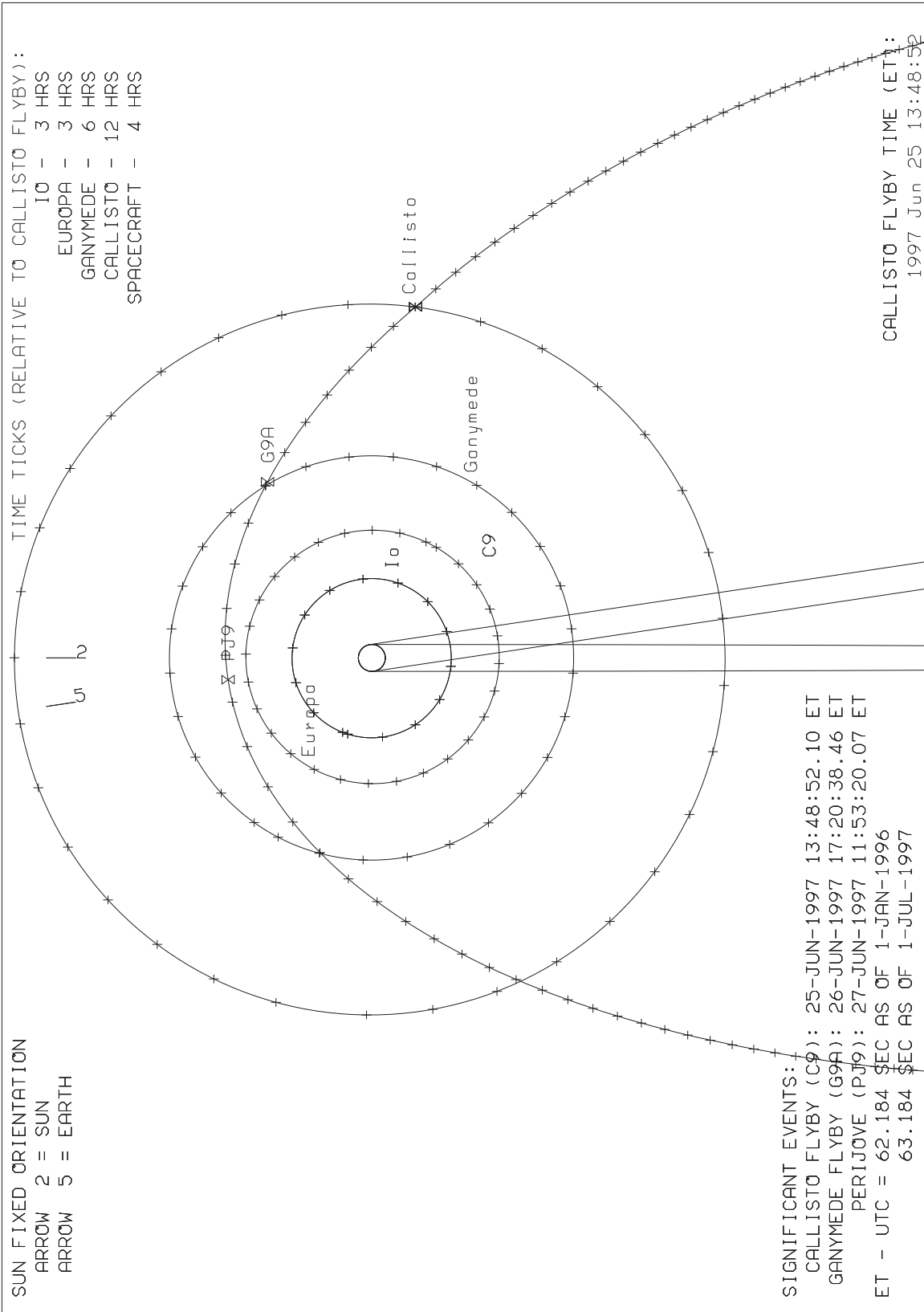
The figure on page 11 is a North Trajectory Pole View of the C9 Orbit from +/- 1 hour of Ganymede closest approach.

Jupiter 9: North Traj Pole View (C9 Apo to Apo)



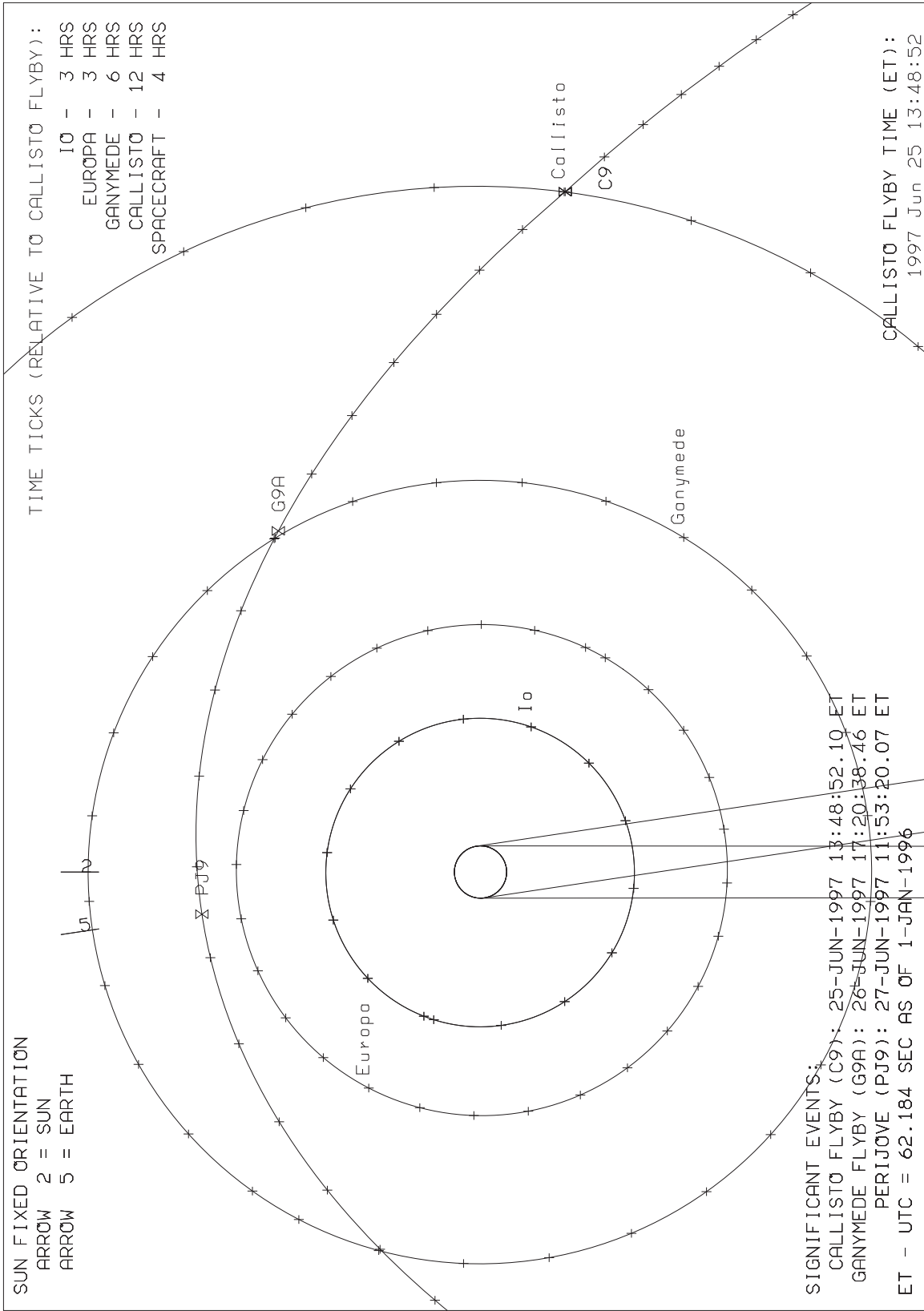
JLB 5/14/97

Jupiter 9: North Traj Pole View (C9 +/- 5 days)



JLB 5/14/97

Jupiter 9: North Traj Pole View (C9 +/- 1 day)



JLB 5/14/97

CALLISTO 9: GROUNDTRACK AT CLOSEST APPROACH

SPACECRAFT TIME TICKS EVERY 2 MINUTES

ARROW 2 = SUN

ARROW 5 = EARTH

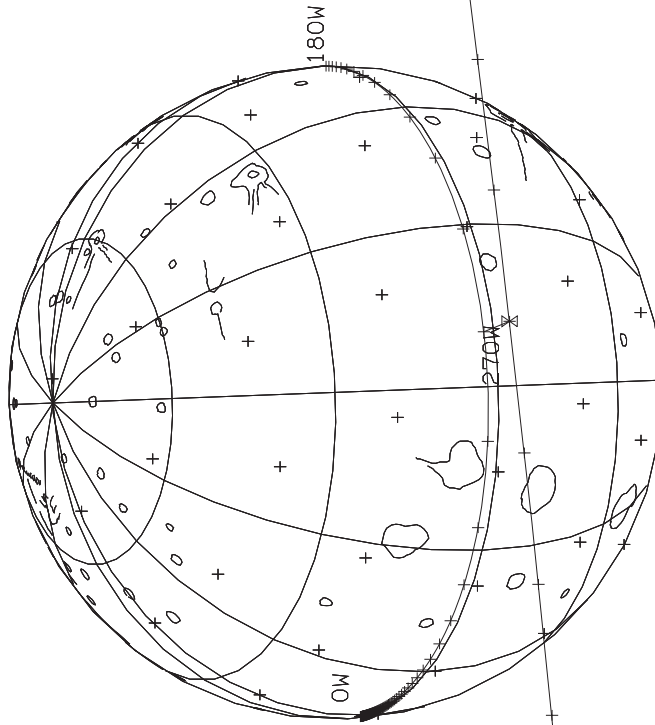
ARROW 13 = ECLIPTIC NORTH POLE

ARROW 16 = CALLISTO NORTH POLE

2

2

16



SIGNIFICANT EVENTS:

CALLISTO FLYBY (C9): 25-JUN-1997 13:48:52.10 ET

GANYMEDE FLYBY (G9A): 26-JUN-1997 17:20:38.46 ET

PERIJOVE (PJ9): 27-JUN-1997 11:53:20.07 ET

ET - UTC = 62.184 SEC AS OF 1-JAN-1996

CALLISTO FLYBY TIME (ET):
1997 Jun 25 13:48:52

JLB 5/14/97

GANYMEDE 9A: GROUNDTRACK AT CLOSEST APPROACH

SPACECRAFT TIME TICKS EVERY 2 MINUTES

ARROW 2 = SUN

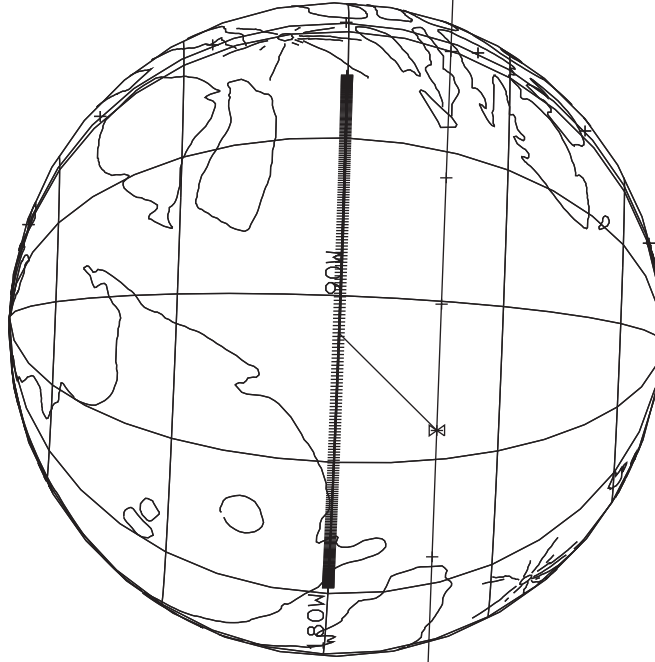
ARROW 5 = EARTH

ARROW 13 = ECLIPTIC NORTH POLE

ARROW 16 = GANYMEDE NORTH POLE

1000

||



SIGNIFICANT EVENTS:

GANYMEDE NON-TARG. FLYBY (G-9A): 26-JUN-1997 17:20:26 ET

PERIJOVE (PJ-9): 27-JUN-1997 11:53:17 ET

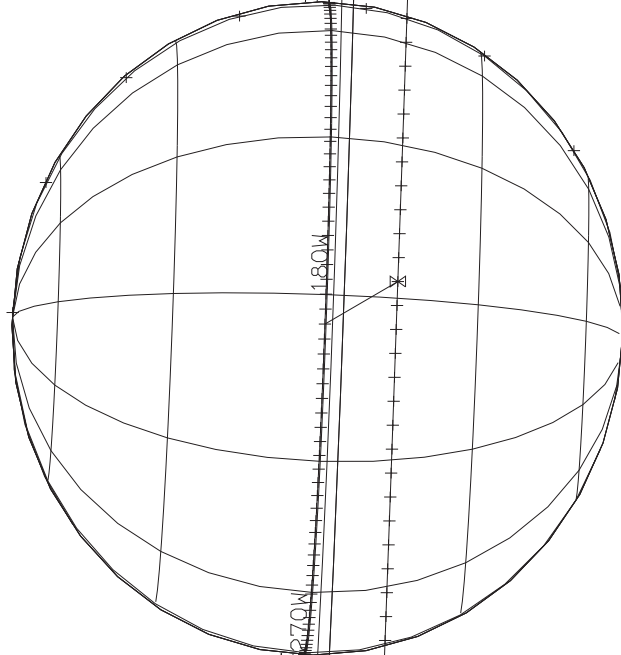
ET - UTC = 61.184 SEC AS OF 1-JUL-1994

GANYMEDE NON-TARG. FLYBY TIME (ET):
1997 Jun 26 17:20:26

JUPITER 9: GROUNDTRACK AT CLOSEST APPROACH

- ARROW 2 = SUN
- ARROW 5 = EARTH
- ARROW 13 = ECLIPTIC NORTH POLE
- ARROW 16 = JUPITER NORTH POLE

200

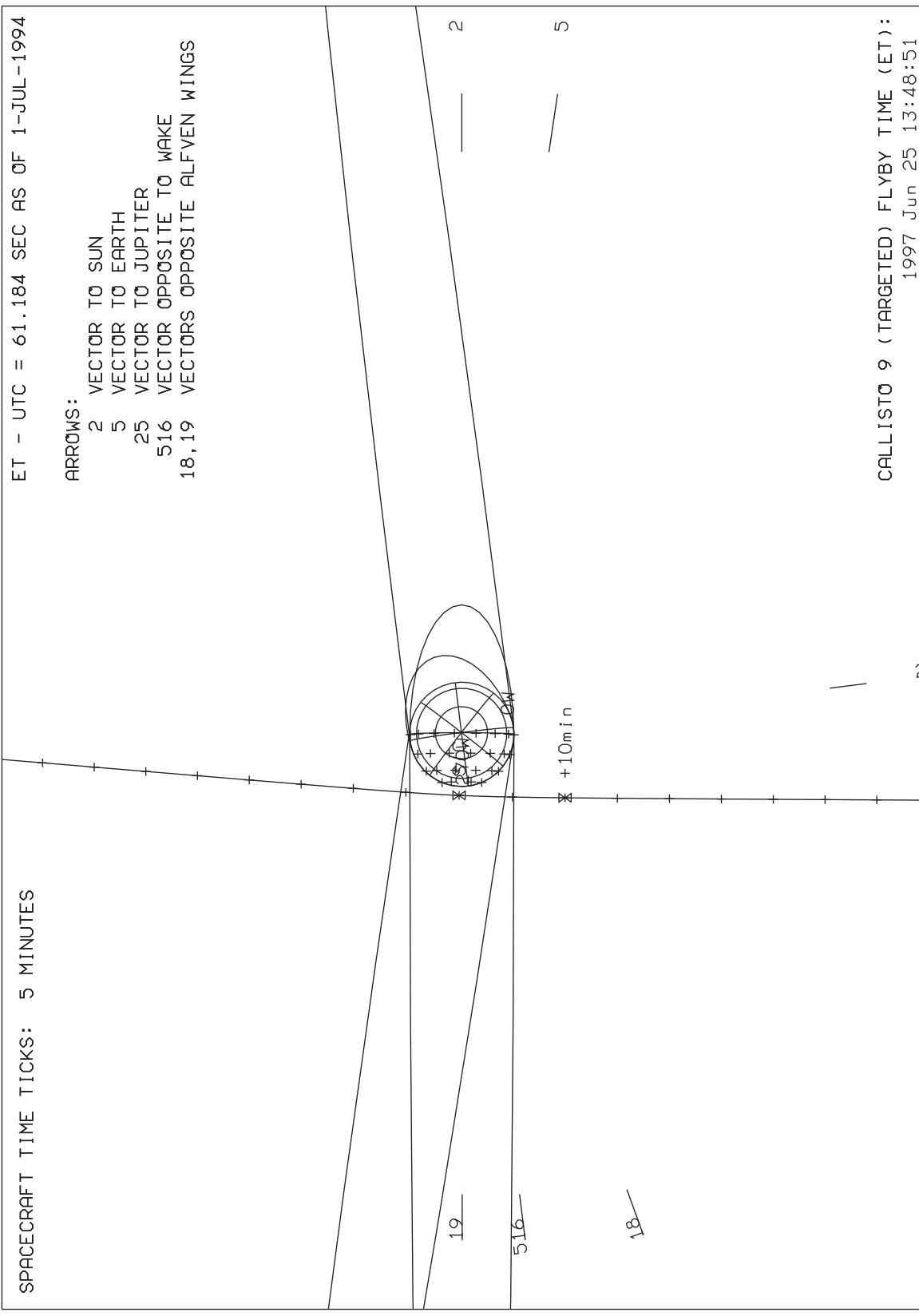


ET - UTC = 62.184 SEC AS OF 1-JAN-1996
 SPACECRAFT TIME TICKS EVERY 5 MINUTES
 RINGS: 1.76 and 3.0 Rj PJ9 TIME (ET):
 1997 Jun 27 11:53:20

SIGNIFICANT EVENTS:
 CALLISTO FLYBY (C9): 25-JUN-1997 13:48:52.10 ET
 GANYMEDE FLYBY (G9A): 26-JUN-1997 17:20:38.46 ET
 PERIJOVE (PJ9): 27-JUN-1997 11:53:20.07 ET

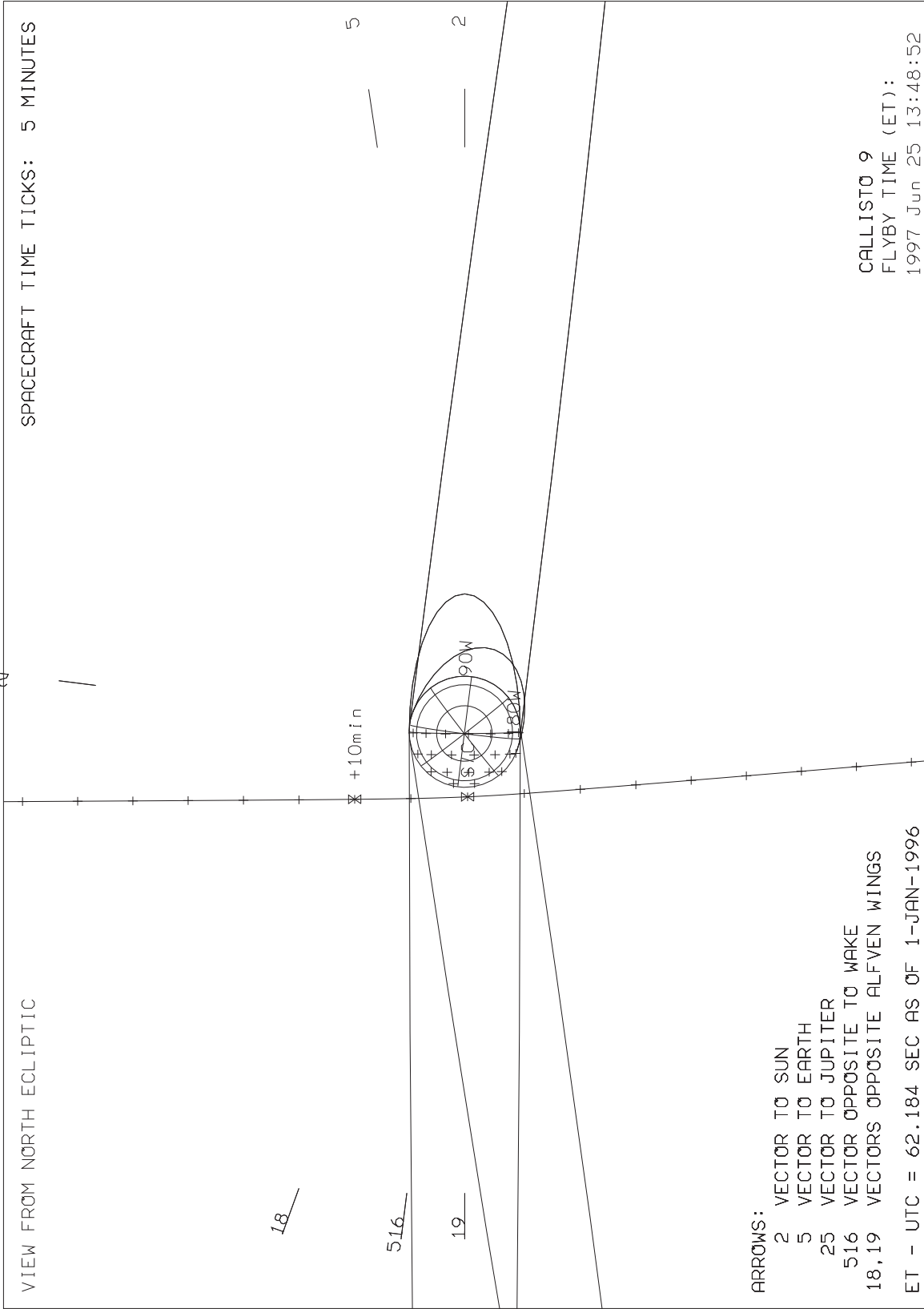
JLB 5/14/97

CALLISTO 9: CLOSEST APPROACH (NORTH TRAJECTORY POLE VIEW)

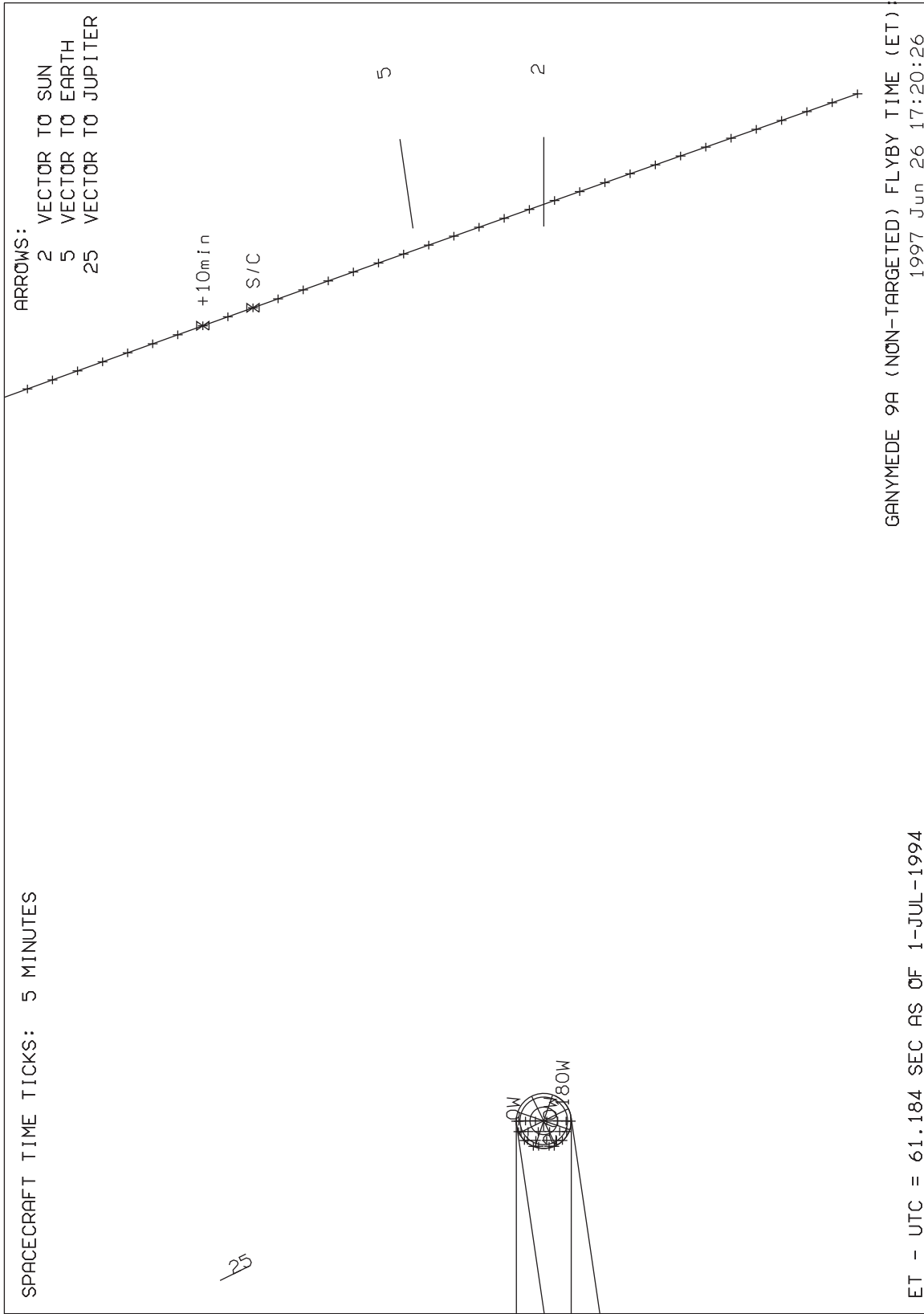


CALLISTO 9 (TARGETED) FLYBY TIME (ET):
 1997 Jun 25 13:48:51

CALLISTO 9: CLOSEST APPROACH (SOUTH TRAJ POLE VIEW)



GANYMEDE 9A: CLOSEST APPROACH (NORTH TRAJECTORY POLE VIEW)



Chapter 4 - NIMS Observation Summaries

Contents

	Sub-Section	Page
4.0	Contents	1
4.1	Introduction to Chapter 4	2
4.2	NIMS Sequence Summary	3-149
4.3	NIMS Individual Obstab Summaries	150-281
4.4	NIMS OBSTAB (Planned)	282-298

Introduction to Chapter 4

This chapter summarizes the NIMS C9 observations in terms of a comprehensive sequence summary, Individual Obstab Summaries and a NIMS Obstab (Observation Table).

The NIMS Sequence Summary is a time-ordered listing of all spacecraft activity pertinent to NIMS operations for the C9 Sequence. The information in this summary is derived from the C9 SEFs (Spacecraft Event File) and PBTs (Playback Tables) with inputs from the NIMS Science Coordinators regarding the start time and duration of the NIMS observations. There are twelve columns of information in this table:

- 1) Line - Line Count.
- 2) YR - Year.
- 3) DOY - Day of Year.
- 4) Time - SCET Time (UTC).
- 5) PSID - Parameter Set ID of the SEF line.
- 6) Command - Command name from the SEF.
- 7) Parameters - Parameters from the above Command Line.
- 8) Description - Description of the above Command for NIMS.
- 9) GCM - NIMS Gain, Chopper mode, Instrument Mode.
Gain = 1,2,3 or 4.
Chopper Mode = R (Reference) or 6 (63Hz).
Instrement Mode = 0-15
- 10) GO - NIMS Grating Offset.
- 11) GS - NIMS Grating Start Position.
- 12) RIM,MF,I - SCLK of the Command Line (RIM:MF:RTI)

An additional line is inserted into this table at the start and stop times of each NIMS Observation (Opel) to bracket the commands which affect each NIMS Observation. The NIMS Playback Select and DeSelect times are also inserted into this table to correlate the playback requests with the observations.

The Individual Obstab Summaries are expansions of the NIMS Obstab to one page per Obstab entry for ease in reading the NIMS Obstab.

The NIMS Obstab (Observation Table) is a time-ordered listing of the NIMS obsrvation parameters for use by downlink data processing of the NIMS C9 data. It is also derived from the C9 SEFs and PBTs. Each Obstab entry is 512 bytes long but is presented here as 4 lines of 128 characters per entry.

Sequence:		C09A-AR		Created: 7/9/97		Begin: 97-173/16:00:00		Finish: 97-180/16:00:00			
Line	YR	DOY	SCET - GMT	PSID	Command Parameters	Description	GCM	GO	GS	RIM	RFI
1	97	173	15:59:59.733		DMS: : READY	RDY, TRACK 1, FWD, TIC 202.12 +/-	400	4	0	4,010,877:87:0	
2	97	173	16:00:00.000	20AEEV	37IST Initial Condition		400	4	0	4,010,877:87:4	
3	97	173	16:00:00.000	20A3EX	37HR Initial Condition	Replacement Heaters OFF	400	4	0	4,010,877:87:4	
4	97	173	16:00:00.000	20A3EY	37C1PR Initial Condition	Optics Heater 1 OFF (primary relay)	400	4	0	4,010,877:87:4	
5	97	173	16:00:00.000	20A3EZ	37C2PR Initial Condition	Optics Heater 2 OFF (primary relay)	400	4	0	4,010,877:87:4	
6	97	173	16:00:00.000	20A3FA	37F1PR Initial Condition	Radiator Flash Heater OFF (primary relay)	400	4	0	4,010,877:87:4	
7	97	173	16:00:00.000	20A3FB	37F2PR Initial Condition	Shield Flash Heater OFF (primary relay)	400	4	0	4,010,877:87:4	
8	97	173	16:00:00.000	20A3FD	40HRPR Initial Condition	PCT Heater OFF (primary relay)	400	4	0	4,010,877:87:4	
9	97	173	16:00:00.000	20A3FE	40T1P Initial Condition	PCT Heater 1 ON (primary relay)	400	4	0	4,010,877:87:4	
10	97	173	16:00:00.000	20A3FF	40T2 Initial Condition	PCT Heater 2 ON	400	4	0	4,010,877:87:4	
11	97	173	16:00:00.000	20A3EW	37A Initial Condition	NIMS Power ON	400	4	0	4,010,877:87:4	
12	97	173	16:00:59.733	20OA6A	6HICON		400	4	0	4,010,878:86:0	
13	97	173	16:01:01.733	432JA6B	6RTDS2 NIMDSL,AACNCG,RT	NIMS R/T DESELECT	400	4	0	4,010,878:89:0	
14	97	173	16:01:02.400	432JA431A6A	6RCDLSD DSDSL,PLSDSL,EP	Record Deselect (DDS o	400	4	0	4,010,878:90:0	
15	97	173	16:01:03.066	432JA6D	6RTSL2 NIMNCG,AACSEL,RT	AACS SELECT	400	4	0	4,010,879:00:0	
16	97	173	16:01:03.066	432JA6C	6RTSL1	R/T Select of DDS and	400	4	0	4,010,879:00:0	
17	97	173	16:01:43.733	488A6A	6TMSED NORM,IL8	Sci, Eng, and D/L Chan	400	4	0	4,010,879:61:0	
18	97	173	16:04:59.733	418SA6B	6BUFHI	10 MUB Buffer high water	400	4	0	4,010,882:82:0	
19	97	173	16:04:59.733	418SA6A	6BUFLO	2 MUB Buffer low water m	400	4	0	4,010,882:82:0	
20	97	173	16:04:59.733	41WA99A	POWER	PWR MODE change	400	4	0	4,010,882:82:0	
21	97	173	16:05:03.733	41WA3A	40T1PR	1 PCT Heater 1 OFF (primary relay)	400	4	0	4,010,882:88:0	
22	97	173	16:05:13.733	41WA3B	40T1PR	2 PCT Heater 1 OFF (primary relay)	400	4	0	4,010,883:12:0	
23	97	173	16:05:23.733	41WA3C	40T2R	1 PCT Heater 2 OFF	400	4	0	4,010,883:27:0	
24	97	173	16:05:33.733	41WA3D	40T2R	2 PCT Heater 2 OFF	400	4	0	4,010,883:42:0	
25	97	173	16:06:59.733	432OY6A	6RTSL1	R/T Select of DDS and	400	4	0	4,010,884:80:0	
26	97	173	16:09:23.066	488A6B	6TMSED FILL,IL8	Sci, Eng, and D/L Chan	400	4	0	4,010,887:22:0	
27	97	173	16:29:59.733	444UA443A4B	7MODE INT	AACS INERTIAL MODE	400	4	0	4,010,907:57:0	
28	97	173	16:32:48.400	488A6C	6TMSED NORM,IL8	Sci, Eng, and D/L Chan	400	4	0	4,010,910:37:0	
29	97	173	16:43:30.400	165BA4A	7SCAN	Check S/P Position	400	4	0	4,010,920:90:0	
30	97	173	16:44:31.733	465T26A	6DMST	6000 DMS Slew to TIC	400	4	0	4,010,922:00:0	
31	97	173	16:44:31.733		DMS: : *TURNARND	P7, TRACK 1, FWD, TIC 202.12 +/-	400	4	0	4,010,922:00:0	
32	97	173	16:44:31.733		DMS: : *SLEW-TIC	P7, TRACK 1, FWD, TIC 202.12 +/-	400	4	0	4,010,922:00:0	
33	97	173	16:44:31.733		DMS: : *E4-DELAY	RDY, TRACK 1, FWD, TIC 202.12 +/-	400	4	0	4,010,922:00:0	
34	97	173	16:44:38.400		DMS: : *RUNUP	P7, TRACK 1, FWD, TIC 202.12 +/-	400	4	0	4,010,922:10:0	
35	97	173	16:44:39.800		DMS: : *AT SPD	P7, TRACK 1, FWD, TIC * 202.24 +/-	400	4	0	4,010,922:12:1	
36	97	173	20:45:00.400	282NO432A431A6A	6RCDLSD DSDSL,PLSDSL,EP	Record Deselect (DDS o	400	4	0	4,011,159:76:0	
37	97	173	20:45:01.066	282NO432A6A	6RTSL1	R/T Select of DDS and	400	4	0	4,011,159:77:0	
38	97	173	20:45:59.733	488A6D	6TMSED NORM,EL8	Sci, Eng, and D/L Chan	400	4	0	4,011,160:74:0	
39	97	173	21:06:47.733	488A6E	6TMSED NORM,EL7	Sci, Eng, and D/L Chan	400	4	0	4,011,181:35:0	
40	97	173	21:47:19.733	488B6A	6TMSED NORM,EL6	Sci, Eng, and D/L Chan	400	4	0	4,011,221:43:0	
41	97	173	22:47:03.733	488B6B	6TMSED NORM,EL4	Sci, Eng, and D/L Chan	400	4	0	4,011,280:50:0	
42	97	173	23:36:47.200		DMS: : *RUNDOWN	P7, TRACK 1, FWD, TIC *5997.94 +/-	400	4	0	4,011,329:66:2	
43	97	173	23:36:48.400		DMS: : *READY	RDY, TRACK 1, FWD, TIC *5998.00 +/-	400	4	0	4,011,329:68:0	
44	97	173	23:59:35.733	488B6C	6TMSED NORM,EL5	Sci, Eng, and D/L Chan	400	4	0	4,011,352:26:0	
45	97	174	00:15:52.400	488B6D	6TMSED FILL,EL5	Sci, Eng, and D/L Chan	400	4	0	4,011,368:35:0	
46	97	174	00:44:58.400	488B6E	6TMSED NORM,EL5	Sci, Eng, and D/L Chan	400	4	0	4,011,397:15:0	
47	97	174	00:59:59.733	481UA4A	7VECT	Inert vect update UTC	400	4	0	4,011,412:02:0	
48	97	174	01:00:50.400	481UC4A	7VECT	Inert vect update UTC	400	4	0	4,011,412:78:0	
49	97	174	06:02:15.666	488C6A	6TMSED NORM,EL4	Sci, Eng, and D/L Chan	400	4	0	4,011,710:88:0	
50	97	174	06:11:00.333	488C6B	6TMSED NORM,EL4	Sci, Eng, and D/L Chan	400	4	0	4,011,719:56:0	
51	97	174	06:13:00.333	41VA99A	POWER	PWR MODE change	400	4	0	4,011,721:54:0	
52	97	174	06:14:54.333	41VA3G	40T1P	1 PCT Heater 1 ON (primary relay)	400	4	0	4,011,723:43:0	
53	97	174	06:15:04.333	41VA3H	40T1P	2 PCT Heater 1 ON (primary relay)	400	4	0	4,011,723:58:0	

Line	YR	DOY	SCET - GMT	PSID	Command	Parameters	Description	GCM	GO	GS	RIM	MFI
54	97	174	06:15:14.333	41VA31	40T2		1 PCT Heater 2 ON	400	4	0	4,011,723:73:0	
55	97	174	06:15:24.333	41VA3J	40T2		2 PCT Heater 2 ON	400	4	0	4,011,723:88:0	
56	97	174	06:25:43.666	488C6C	6TMSED	NORM,ELH5	Sci, Eng, and D/L Chan	400	4	0	4,011,734:16:0	
57	97	174	07:19:03.666	488C6D	6TMSED	NORM,ELH6	Sci, Eng, and D/L Chan	400	4	0	4,011,786:84:0	
58	97	174	07:27:13.666	488C6E	6TMSED	FILL,ELH6	Sci, Eng, and D/L Chan	400	4	0	4,011,795:00:0	
59	97	174	07:54:03.000	488D6A	6TMSED	NORM,ELH6	Sci, Eng, and D/L Chan	400	4	0	4,011,821:48:0	
60	97	174	11:16:18.333	488D6B	6TMSED	FILL,ELH6	Sci, Eng, and D/L Chan	400	4	0	4,012,021:51:0	
61	97	174	11:18:00.333	41WB99A	POWER	PWR MODE change	Change to Data Taking Mode	400	4	0	4,012,023:22:0	
62	97	174	11:18:04.333	41WB3A	40T1PR		1 PCT Heater 1 OFF (primary relay)	400	4	0	4,012,023:28:0	
63	97	174	11:18:14.333	41WB3B	40T1PR		2 PCT Heater 1 OFF (primary relay)	400	4	0	4,012,023:43:0	
64	97	174	11:18:24.333	41WB3C	40T2R		1 PCT Heater 2 OFF	400	4	0	4,012,023:58:0	
65	97	174	11:18:34.333	41WB3D	40T2R		2 PCT Heater 2 OFF	400	4	0	4,012,023:73:0	
66	97	174	11:19:00.333	488D6C	6TMSED	FILL,EL6	Sci, Eng, and D/L Chan	400	4	0	4,012,024:21:0	
67	97	174	11:20:07.666	488D6D	6TMSED	FILL,EL8	Sci, Eng, and D/L Chan	400	4	0	4,012,025:31:0	
68	97	174	11:21:47.666	488D6E	6TMSED	NORM,EL8	Sci, Eng, and D/L Chan	400	4	0	4,012,026:90:0	
69	97	174	11:26:51.000	432OQ431A6A	6RCDSL	DDSNCG,PLSNCG,EP	Record Deselect (DDS o	400	4	0	4,012,031:90:0	
70	97	174	11:26:51.666	432OQ6A	6RTSL1		R/T Select of DDS and	400	4	0	4,012,032:00:0	
71	97	174	11:30:00.333	282NP432A431A6A	6RCDSL	DDSNCG,PLSDSL,EP	Record Deselect (DDS o	400	4	0	4,012,035:10:0	
72	97	174	11:30:00.333	488E6A	6TMSED	NORM,IL8	Sci, Eng, and D/L Chan	400	4	0	4,012,035:10:0	
73	97	174	11:30:01.000	282NP432A6A	6RTSL1		R/T Select of DDS and	400	4	0	4,012,035:11:0	
74	97	174	11:34:05.000	20KA4A	7SAFE	UNSTOW	SIP TO 153 deg cone	400	4	0	4,012,039:13:0	
75	97	174	11:39:59.666	165BB4A	7SCAN	NORM,214.214998,	Check S/P Position	400	4	0	4,012,044:90:0	
76	97	174	21:00:00.333	488F6A	6TMSED	NORM,EL8	Sci, Eng, and D/L Chan	400	4	0	4,012,598:77:0	
77	97	174	21:02:31.666	488F6B	6TMSED	NORM,EL7	Sci, Eng, and D/L Chan	400	4	0	4,012,601:31:0	
78	97	174	21:15:00.333	282NQ432A431A6A	6RCDSL	DDSNCG,PLSDSL,EP	Record Deselect (DDS o	400	4	0	4,012,613:62:0	
79	97	174	21:15:01.000	282NQ432A6A	6RTSL1		R/T Select of DDS and	400	4	0	4,012,613:63:0	
80	97	174	21:47:19.666	488F6C	6TMSED	NORM,EL6	Sci, Eng, and D/L Chan	400	4	0	4,012,645:59:0	
81	97	174	22:47:03.666	488F6D	6TMSED	NORM,EL4	Sci, Eng, and D/L Chan	400	4	0	4,012,704:66:0	
82	97	174	23:55:19.666	488F6E	6TMSED	NORM,EL5	Sci, Eng, and D/L Chan	400	4	0	4,012,772:22:0	
83	97	175	00:10:44.333	488G6A	6TMSED	FILL,EL5	Sci, Eng, and D/L Chan	400	4	0	4,012,787:44:0	
84	97	175	00:39:50.333	488G6B	6TMSED	NORM,EL5	Sci, Eng, and D/L Chan	400	4	0	4,012,816:24:0	
85	97	175	05:57:59.666	488G6C	6TMSED	NORM,EL4	Sci, Eng, and D/L Chan	400	4	0	4,013,130:84:0	
86	97	175	06:19:19.666	488H6A	6TMSED	NORM,EL5	Sci, Eng, and D/L Chan	400	4	0	4,013,152:02:0	
87	97	175	07:14:47.666	488H6B	6TMSED	NORM,EL6	Sci, Eng, and D/L Chan	400	4	0	4,013,206:80:0	
88	97	175	07:22:05.666	488H6C	6TMSED	FILL,EL6	Sci, Eng, and D/L Chan	400	4	0	4,013,214:09:0	
89	97	175	07:48:55.000	488H6D	6TMSED	NORM,EL6	Sci, Eng, and D/L Chan	400	4	0	4,013,240:57:0	
90	97	175	10:45:00.266	282NR432A431A6A	6RCDSL	DDSNCG,PLSDSL,EP	Record Deselect (DDS o	400	4	0	4,013,414:71:0	
91	97	175	10:45:00.933	282NR432A6A	6RTSL1		R/T Select of DDS and	400	4	0	4,013,414:72:0	
92	97	175	11:00:00.266	488H6E	6TMSED	NORM,IL6	Sci, Eng, and D/L Chan	400	4	0	4,013,429:56:0	
93	97	175	11:16:18.266	488I6A	6TMSED	FILL,IL6	Sci, Eng, and D/L Chan	400	4	0	4,013,445:67:0	
94	97	175	11:20:07.600	488I6B	6TMSED	FILL,IL8	Sci, Eng, and D/L Chan	400	4	0	4,013,449:47:0	
95	97	175	11:21:47.600	488I6C	6TMSED	NORM,IL8	Sci, Eng, and D/L Chan	400	4	0	4,013,451:15:0	
96	97	175	12:24:08.266	488I6D	6TMSED	FILL,IL8	Sci, Eng, and D/L Chan	400	4	0	4,013,512:75:0	
97	97	175	12:47:32.933	488I6E	6TMSED	NORM,IL8	Sci, Eng, and D/L Chan	400	4	0	4,013,535:89:0	
98	97	175	15:00:00.266	488J6A	6TMSED	NORM,HL8	Sci, Eng, and D/L Chan	400	4	0	4,013,666:89:0	
99	97	175	18:09:06.266	465KA6A	6DMST		1085 DMS Slew to TIC	400	4	0	4,013,854:00:0	
100	97	175	18:09:06.266		DMS:	: *SLEW-TIC	P7, TRACK*2, *REV, TIC 5998.00 +/-	400	4	0	4,013,854:00:0	
101	97	175	18:09:06.266		DMS:	: *US-RUNUP	P7, TRACK*1, *FWD, TIC 5998.00 +/-	400	4	0	4,013,854:00:0	
102	97	175	18:09:07.666		DMS:	: *US_AT_SP	P7, TRACK 1, FWD, TIC *5998.12 +/-	400	4	0	4,013,854:02:1	
103	97	175	18:09:12.933		DMS:	: *US_RD	P7, TRACK 1, FWD, TIC *5999.35 +/-	400	4	0	4,013,854:10:0	
104	97	175	18:09:14.133		DMS:	: *RUNUP	P7, TRACK*2, *REV, TIC *5999.41 +/-	400	4	0	4,013,854:11:8	
105	97	175	18:09:15.533		DMS:	: *AT_SPD	P7, TRACK 2, REV, TIC *5999.29 +/-	400	4	0	4,013,854:13:9	
106	97	175	19:10:04.933	20KB4A	7SAFE	UNSTOW	SIP TO 153 deg cone	400	4	0	4,013,914:28:0	
107	97	175	20:32:39.600	488J6B	6TMSED	NORM,HL7	Sci, Eng, and D/L Chan	400	4	0	4,013,995:89:0	
108	97	175	21:00:00.266	282NS432A431A6A	6RCDSL	DDSNCG,PLSDSL,EP	Record Deselect (DDS o	400	4	0	4,014,023:02:0	

Line	YR	DOY	SCET - GMT	PSID	Command Parameters	Description	GCM	GO	GS	RIM	MFI
109	97	175	21:00:00.933	282NS432A6A	6RTSL1	RT Select of DDS and	400	4	0	4,014,023:03:0	
110	97	175	21:02:31.600	488K6A	6TMSED NORM:HL6	Sci. Eng. and D/L Chan	400	4	0	4,014,025:47:0	
111	97	175	21:45:00.266	488K6B	6TMSED NORM:EL6	Sci. Eng. and D/L Chan	400	4	0	4,014,067:48:0	
112	97	175	22:12:55.600	488K6C	6TMSED NORM:EL5	Sci. Eng. and D/L Chan	400	4	0	4,014,095:13:0	
113	97	175	22:42:47.600	488K6D	6TMSED NORM:EL4	Sci. Eng. and D/L Chan	400	4	0	4,014,124:62:0	
114	97	175	23:42:50.266	488K6E	6TMSED FILL:EL4	Sci. Eng. and D/L Chan	400	4	0	4,014,184:06:0	
115	97	175	23:58:33.733		DMS: : *RUNDOWN	P7, TRACK 2, REV, TIC *1087.06 +/-	400	4	0	4,014,199:56:2	
116	97	175	23:58:34.933		DMS: : *READY	RDY, TRACK 2, REV, TIC *1087.00 +/-	400	4	0	4,014,199:58:0	
117	97	176	00:03:59.600	165CB4A	7SCAN NORM:231.283998,	Check S/P Position	400	4	0	4,014,204:90:0	
118	97	176	00:04:00.266		DMS: : READY	RDY, TRACK *4, REV, TIC 1087.00 +/-	400	4	0	4,014,205:00:0	
119	97	176	00:04:00.266	465KB6A	6DMSC RDY,4	DMS Control Tape stop	400	4	0	4,014,205:00:0	
120	97	176	00:08:01.600	165CB4B	7VECT	Inert vect update UTC	400	4	0	4,014,208:89:0	
121	97	176	00:08:07.600	488L6A	6TMSED FILL:EL5	Sci. Eng. and D/L Chan	400	4	0	4,014,209:07:0	
122	97	176	00:39:42.933	488L6B	6TMSED NORM:EL5	Sci. Eng. and D/L Chan	400	4	0	4,014,240:29:0	
123	97	176	01:49:08.933	165GA4A	7SCAN NORM:204.585999,	Check S/P Position	400	4	0	4,014,308:90:0	
124	97	176	01:53:02.933	117GA	CSMOS GS	***** GROUP START CSMOS	400	4	0	4,014,312:77:0	
125	97	176	01:53:12.266	176GA6A	6TMREC BPT	7.68 KBPS PPR BURST TO TAPE Record Mode C	400	4	0	4,014,313:00:0	
126	97	176	01:53:12.266	117GA105A106B4A	7STRP 0.0,-0.046039,0,	Slew =-0.31	400	4	0	4,014,313:00:0	
127	97	176	01:56:14.266	117GA105A106B4A	7STRP 0.0007,0.046039,	Slew =12.01	400	4	0	4,014,316:00:0	
128	97	176	01:56:25.600	117GA105A106B4B	7STRP 0.0,-0.046039,0,	Slew =-0.31	400	4	0	4,014,316:17:0	
129	97	176	01:59:27.600	117GA105A106B4C	7STRP 0.0007,0.046039,	Slew =12.01	400	4	0	4,014,319:17:0	
130	97	176	01:59:38.933	117GA105A106B4D	7STRP 0.0,-0.046039,0,	Slew =-0.31	400	4	0	4,014,319:34:0	
131	97	176	02:02:40.933	117GA105A106B4E	7STRP 0.0007,0.046039,	Slew =12.01	400	4	0	4,014,322:34:0	
132	97	176	02:02:52.266	117GA105A106B4F	7STRP 0.0,-0.046039,0,	Slew =-0.31	400	4	0	4,014,322:51:0	
133	97	176	02:05:54.266	117GA105A106B4G	7STRP 0.0007,0.046039,	Slew =12.01	400	4	0	4,014,325:51:0	
134	97	176	02:06:05.600	117GA105A106B4H	7STRP 0.0,-0.046039,0,	Slew =-0.31	400	4	0	4,014,325:68:0	
135	97	176	02:09:07.600	117GA105A106B4I	7STRP 0.0007,0.046039,	Slew =12.01	400	4	0	4,014,328:68:0	
136	97	176	02:09:18.933	117GA105A106B4J	7STRP 0.0,-0.046039,0,	Slew =-0.31	400	4	0	4,014,328:85:0	
137	97	176	02:10:24.933	50ZZ6XX	6DMSC R7,0	DMS Control Tape runup 7.68kps	400	4	0	4,014,330:02:0	
138	97	176	02:10:24.933		DMS: : *US-RUNUP	P7, TRACK *1, *FWD, TIC 1087.00 +/-	400	4	0	4,014,330:02:0	
139	97	176	02:10:26.333		DMS: : *US-AT_SP	P7, TRACK 1, FWD, TIC *1087.12 +/-	400	4	0	4,014,330:04:1	
140	97	176	02:10:31.600		DMS: : *US_RD	P7, TRACK 1, FWD, TIC *1088.35 +/-	400	4	0	4,014,330:12:0	
141	97	176	02:10:32.800		DMS: : *RUNUP	R7, TRACK *4, *REV, TIC *1088.41 +/-	400	4	0	4,014,330:13:8	
142	97	176	02:10:34.200		DMS: : *AT_SPD	R7, TRACK 4, REV, TIC *1088.29 +/-	400	4	0	4,014,330:15:9	
143	97	176	02:11:00.266		DMS: : *RECORD	R7, TRACK 4, REV, TIC *1082.18 +/-	400	4	0	4,014,330:55:0	
144	97	176	02:11:22.933	50ZZ6RD	6DMSC RDY,0	DMS Control Tape stop	400	4	0	4,014,330:89:0	
145	97	176	02:11:22.933		DMS: : *RUNDOWN	R7, TRACK 4, REV, TIC *1076.87 +/-	400	4	0	4,014,330:89:0	
146	97	176	02:11:24.133		DMS: : *READY	RDY, TRACK 4, REV, TIC *1076.81 +/-	400	4	0	4,014,330:90:8	
147	97	176	02:12:20.933	117GA105A106B4K	7STRP 0.0007,0.046039,	Slew =12.01	400	4	0	4,014,331:85:0	
148	97	176	02:12:32.266	117GA105A106B4L	7STRP 0.0,-0.046039,0,	Slew =-0.31	400	4	0	4,014,332:11:0	
149	97	176	02:15:34.266	117GA105A106B4M	7STRP 0.0007,0.046039,	Slew =12.01	400	4	0	4,014,335:11:0	
150	97	176	02:15:45.600	117GA105A106B4N	7STRP 0.0,-0.046039,0,	Slew =-0.31	400	4	0	4,014,335:28:0	
151	97	176	02:18:47.600	117GA105A106B4O	7STRP 0.0007,0.046039,	Slew =12.01	400	4	0	4,014,338:28:0	
152	97	176	02:18:58.933	117GA105A106B4P	7STRP 0.0,-0.046039,0,	Slew =-0.31	400	4	0	4,014,338:45:0	
153	97	176	02:22:00.933	117GA105A106B4Q	7STRP 0.0007,0.046039,	Slew =12.01	400	4	0	4,014,341:45:0	
154	97	176	02:22:12.266	117GA105A106B4R	7STRP 0.0,-0.046039,0,	Slew =-0.31	400	4	0	4,014,341:62:0	
155	97	176	02:25:14.266	117GA105A106B4S	7STRP 0.0007,0.046039,	Slew =12.01	400	4	0	4,014,344:62:0	
156	97	176	02:25:25.600	117GA105A106B4T	7STRP 0.0,-0.046039,0,	Slew =-0.31	400	4	0	4,014,344:79:0	
157	97	176	02:28:16.266	50ZZ6XX	6DMSC R7,0	DMS Control Tape runup 7.68kps	400	4	0	4,014,347:62:0	
158	97	176	02:28:16.266		DMS: : *US-RUNUP	P7, TRACK *1, *FWD, TIC 1076.81 +/-	400	4	0	4,014,347:62:0	
159	97	176	02:28:17.666		DMS: : *US-AT_SP	P7, TRACK 1, FWD, TIC *1076.93 +/-	400	4	0	4,014,347:64:1	
160	97	176	02:28:22.933		DMS: : *US_RD	P7, TRACK 1, FWD, TIC *1078.17 +/-	400	4	0	4,014,347:72:0	
161	97	176	02:28:24.133		DMS: : *RUNUP	R7, TRACK *4, *REV, TIC *1078.23 +/-	400	4	0	4,014,347:73:8	
162	97	176	02:28:25.533		DMS: : *AT_SPD	R7, TRACK 4, REV, TIC *1078.11 +/-	400	4	0	4,014,347:75:9	
163	97	176	02:28:27.600	117GA105A106B4U	7STRP 0.0007,0.046039,	Slew =12.01	400	4	0	4,014,347:79:0	

Line	YR	DOY	SCET - GMT	PSID	Command	Parameters	Description	GCM	GO	GS	RIM	MFI
164	97	176	02:28:38.933	117GA105A106B4V	7STRP	0.0,-0.046039,0,	Slew =,0.31	400	4	0	4,014,348:05.0	
165	97	176	02:28:50.933		DMS:	: *RECORD	R7, TRACK 4, REV, TIC *1072.15 +/-	400	4	0	4,014,348:23.0	
166	97	176	02:29:13.600		DMS:	: *RUNDOWN	R7, TRACK 4, REV, TIC *1066.84 +/-	400	4	0	4,014,348:57.0	
167	97	176	02:29:13.600	50ZZ6RE	6DMSC	RDY,0	DMS Control Tape stop	400	4	0	4,014,348:57.0	
168	97	176	02:29:14.800		DMS:	: *READY	RDY, TRACK 4, REV, TIC *1066.78 +/-	400	4	0	4,014,348:58.8	
169	97	176	02:31:40.933	117GA105A106B4W	7STRP	0.0007,0.046039,	Slew =12.01	400	4	0	4,014,351:05.0	
170	97	176	02:31:52.266	117GA105A106B4X	7STRP	0.0,-0.046039,0,	Slew = 0.31	400	4	0	4,014,351:22.0	
171	97	176	02:34:54.266	117GA105A106B4Y	7STRP	0.0007,0.046039,	Slew =12.01	400	4	0	4,014,354:22.0	
172	97	176	02:35:05.600	117GA105A106B4Z	7STRP	0.0,-0.046039,0,	Slew = 0.31	400	4	0	4,014,354:39.0	
173	97	176	02:38:07.600	117GA105A106B4AA	7STRP	0.0007,0.046039,	Slew =12.01	400	4	0	4,014,357:39.0	
174	97	176	02:38:18.933	117GA105A106B4AB	7STRP	0.0,-0.046039,0,	Slew =,0.31	400	4	0	4,014,357:56.0	
175	97	176	02:41:20.933	117GA105A106B4AC	7STRP	0.0007,0.046039,	Slew =12.01	400	4	0	4,014,360:56.0	
176	97	176	02:41:32.266	117GA105A106B4AD	7STRP	0.0,-0.046039,0,	Slew =,0.31	400	4	0	4,014,360:73.0	
177	97	176	02:44:34.266	117GA105A106B4AE	7STRP	0.0007,0.046039,	Slew =12.01	400	4	0	4,014,363:73.0	
178	97	176	02:44:45.600	117GA105A106B4AF	7STRP	0.0,-0.046039,0,	Slew = 0.31	400	4	0	4,014,363:90.0	
179	97	176	02:46:07.600		DMS:	: *US-RUNUP	P7, TRACK *1, *FWD, TIC 1066.78 +/-	400	4	0	4,014,365:31.0	
180	97	176	02:46:07.600	50ZZ6XX	6DMSC	R7,0	DMS Control Tape runup 7.68kps	400	4	0	4,014,365:31.0	
181	97	176	02:46:09.000		DMS:	: *US AT SP	P7, TRACK 1, FWD, TIC *1066.90 +/-	400	4	0	4,014,365:33.1	
182	97	176	02:46:14.266		DMS:	: *US RD	P7, TRACK 1, FWD, TIC *1068.14 +/-	400	4	0	4,014,365:41.0	
183	97	176	02:46:15.466		DMS:	: *RUNUP	R7, TRACK *4, *REV, TIC *1068.20 +/-	400	4	0	4,014,365:42.8	
184	97	176	02:46:16.866		DMS:	: *AT SPD	R7, TRACK 4, REV, TIC *1068.08 +/-	400	4	0	4,014,365:44.9	
185	97	176	02:46:42.266		DMS:	: *RECORD	R7, TRACK 4, REV, TIC *1062.12 +/-	400	4	0	4,014,365:83.0	
186	97	176	02:47:04.933	50ZZ6RD	6DMSC	RDY,0	DMS Control Tape stop	400	4	0	4,014,366:26.0	
187	97	176	02:47:04.933		DMS:	: *RUNDOWN	R7, TRACK 4, REV, TIC *1056.81 +/-	400	4	0	4,014,366:26.0	
188	97	176	02:47:06.133		DMS:	: *READY	RDY, TRACK 4, REV, TIC *1056.75 +/-	400	4	0	4,014,366:27.8	
189	97	176	02:47:47.600	117GA105A106B4AG	7STRP	0.0007,0.046039,	Slew =12.01	400	4	0	4,014,366:90.0	
190	97	176	02:47:58.933	117GA105A106B4AH	7STRP	0.0,-0.046039,0,	Slew = 0.31	400	4	0	4,014,367:16.0	
191	97	176	02:51:00.933	117GA105A106B4AI	7STRP	0.0007,0.046039,	Slew =12.01	400	4	0	4,014,370:16.0	
192	97	176	02:51:12.266	117GA105A106B4AJ	7STRP	0.0,-0.046039,0,	Slew = 0.31	400	4	0	4,014,370:33.0	
193	97	176	02:54:14.266	117GA105A106B4AK	7STRP	0.0007,0.046039,	Slew =12.01	400	4	0	4,014,373:33.0	
194	97	176	02:54:25.600	117GA105A106B4AL	7STRP	0.0,-0.046039,0,	Slew =,0.31	400	4	0	4,014,373:50.0	
195	97	176	02:57:27.600	117GA105A106B4AM	7STRP	0.0007,0.046039,	Slew =12.01	400	4	0	4,014,376:50.0	
196	97	176	02:57:38.933	117GA105A106B4AN	7STRP	0.0,-0.046039,0,	Slew =,0.31	400	4	0	4,014,376:67.0	
197	97	176	03:00:40.933	117GA105A106B4AO	7STRP	0.0007,0.046039,	Slew =12.01	400	4	0	4,014,379:67.0	
198	97	176	03:00:52.266	117GA105A106B4AP	7STRP	0.0,-0.046039,0,	Slew = 0.31	400	4	0	4,014,379:84.0	
199	97	176	03:03:54.266	117GA105A106B4AQ	7STRP	0.0007,0.046039,	Slew =12.01	400	4	0	4,014,382:84.0	
200	97	176	03:03:58.933	50ZZ6XX	6DMSC	R7,0	DMS Control Tape runup 7.68kps	400	4	0	4,014,383:00.0	
201	97	176	03:03:58.933		DMS:	: *US-RUNUP	P7, TRACK *1, *FWD, TIC 1056.75 +/-	400	4	0	4,014,383:00.0	
202	97	176	03:04:00.333		DMS:	: *US AT SP	P7, TRACK 1, FWD, TIC *1056.87 +/-	400	4	0	4,014,383:02.1	
203	97	176	03:04:05.600		DMS:	: *US RD	P7, TRACK 1, FWD, TIC *1058.10 +/-	400	4	0	4,014,383:10.0	
204	97	176	03:04:05.600	117GA105A106B4AR	7STRP	0.0,-0.046039,0,	Slew =,0.31	400	4	0	4,014,383:10.0	
205	97	176	03:04:06.800		DMS:	: *RUNUP	R7, TRACK *4, *REV, TIC *1058.16 +/-	400	4	0	4,014,383:11.8	
206	97	176	03:04:08.200		DMS:	: *AT SPD	R7, TRACK 4, REV, TIC *1058.04 +/-	400	4	0	4,014,383:13.9	
207	97	176	03:04:33.600		DMS:	: *RECORD	R7, TRACK 4, REV, TIC *1052.09 +/-	400	4	0	4,014,383:52.0	
208	97	176	03:04:56.266	50ZZ6RE	6DMSC	RDY,0	DMS Control Tape stop	400	4	0	4,014,383:86.0	
209	97	176	03:04:56.266		DMS:	: *RUNDOWN	R7, TRACK 4, REV, TIC *1046.78 +/-	400	4	0	4,014,383:86.0	
210	97	176	03:04:57.466		DMS:	: *READY	RDY, TRACK 4, REV, TIC *1046.72 +/-	400	4	0	4,014,383:87.8	
211	97	176	03:07:07.600	117GA105A106B4AS	7STRP	0.0007,0.046039,	Slew =12.01	400	4	0	4,014,386:10.0	
212	97	176	03:07:18.933	117GA105A106B4AT	7STRP	0.0,-0.046039,0,	Slew = 0.31	400	4	0	4,014,386:27.0	
213	97	176	03:10:20.933	117GA105A106B4AU	7STRP	0.0007,0.046039,	Slew =12.01	400	4	0	4,014,389:27.0	
214	97	176	03:10:32.266	117GA105A106B4AV	7STRP	0.0,-0.046039,0,	Slew =,0.31	400	4	0	4,014,389:44.0	
215	97	176	03:13:34.266	117GA105A106B4AW	7STRP	0.0007,0.046039,	Slew =12.01	400	4	0	4,014,392:44.0	
216	97	176	03:13:45.600	117GA105A106B4AX	7STRP	0.0,-0.046039,0,	Slew =,0.31	400	4	0	4,014,392:61.0	
217	97	176	03:16:47.600	117GA105A106B4AY	7STRP	0.0007,0.046039,	Slew =12.01	400	4	0	4,014,395:61.0	
218	97	176	03:16:58.933	117GA105A106B4AZ	7STRP	0.0,-0.046039,0,	Slew = 0.31	400	4	0	4,014,395:78.0	

Line	YR	DOY	SCET - GMT	PSID	Command	Parameters	Description	GCM	GO	GS	RIM	MFI
219	97	176	03:20:00.933	117GA105A106B4BA	7STRP	0.0007,0.046039,	Slew =12.01	400	4	0	4,014,398:78.0	
220	97	176	03:20:12.266	117GA105A106B4BB	7STRP	0.0.-0.046039,0,	Slew =0.31	400	4	0	4,014,399:04.0	
221	97	176	03:21:50.266		DMS:	: *US-RUNUP	P7, TRACK *1, *FWD, TIC 1046.72 +/-	400	4	0	4,014,400:60.0	
222	97	176	03:21:50.266	50ZZ6XX	6DMSC	R7,0	DMS Control Tape runup 7.68kps	400	4	0	4,014,400:60.0	
223	97	176	03:21:51.666		DMS:	: *US AT SP	P7, TRACK 1, FWD, TIC *1046.84 +/-	400	4	0	4,014,400:62.1	
224	97	176	03:21:56.933		DMS:	: *RUNUP	R7, TRACK *4, *REV, TIC *1048.13 +/-	400	4	0	4,014,400:70.0	
225	97	176	03:21:58.133		DMS:	: *AT SPD	R7, TRACK 4, REV, TIC *1048.01 +/-	400	4	0	4,014,400:71.8	
226	97	176	03:21:59.533		DMS:	: *RECORD	R7, TRACK 4, REV, TIC *1042.06 +/-	400	4	0	4,014,401:55.0	
227	97	176	03:22:24.933		DMS:	: *RUNDOWN	R7, TRACK 4, REV, TIC *1036.75 +/-	400	4	0	4,014,401:55.0	
228	97	176	03:22:47.600	50ZZ6RD	6DMSC	RDY,0	DMS Control Tape stop	400	4	0	4,014,401:56.8	
229	97	176	03:22:47.600		DMS:	: *READY	RDY, TRACK 4, REV, TIC *1036.69 +/-	400	4	0	4,014,401:56.8	
230	97	176	03:22:48.800		DMS:		Slew =12.01	400	4	0	4,014,402:04.0	
231	97	176	03:23:14.266	117GA105A106B4BC	7STRP	0.0007,0.046039,	Slew =0.31	400	4	0	4,014,402:21.0	
232	97	176	03:23:25.600	117GA105A106B4BD	7STRP	0.0.-0.046039,0,	Slew =12.01	400	4	0	4,014,405:21.0	
233	97	176	03:26:27.600	117GA105A106B4BE	7STRP	0.0007,0.046039,	Slew =0.31	400	4	0	4,014,405:38.0	
234	97	176	03:26:38.933	117GA105A106B4BF	7STRP	0.0.-0.046039,0,	Slew =0.31	400	4	0	4,014,408:38.0	
235	97	176	03:29:40.933	117GA105A106B4BG	7STRP	0.0007,0.046039,	Slew =0.31	400	4	0	4,014,408:55.0	
236	97	176	03:29:52.266	117GA105A106B4BH	7STRP	0.0.-0.046039,0,	Slew =12.01	400	4	0	4,014,411:55.0	
237	97	176	03:32:54.266	117GA105A106B4BI	7STRP	0.0007,0.046039,	Slew =0.31	400	4	0	4,014,411:72.0	
238	97	176	03:33:05.600	117GA105A106B4BJ	7STRP	0.0.-0.046039,0,	Slew =12.01	400	4	0	4,014,414:72.0	
239	97	176	03:36:07.600	117GA105A106B4BK	7STRP	0.0007,0.046039,	Slew =0.31	400	4	0	4,014,414:89.0	
240	97	176	03:36:18.933	117GA105A106B4BL	7STRP	0.0.-0.046039,0,	Slew =12.01	400	4	0	4,014,417:89.0	
241	97	176	03:39:20.933	117GA105A106B4BM	7STRP	0.0007,0.046039,	Slew =0.31	400	4	0	4,014,418:15.0	
242	97	176	03:39:32.266	117GA105A106B4BN	7STRP	0.0.-0.046039,0,	Slew =12.01	400	4	0	4,014,418:29.0	
243	97	176	03:39:41.600	50ZZ6XX	6DMSC	RDY,0	DMS Control Tape runup 7.68kps	400	4	0	4,014,418:29.0	
244	97	176	03:39:41.600		DMS:	: *US-RUNUP	P7, TRACK *1, *FWD, TIC 1036.69 +/-	400	4	0	4,014,418:31.1	
245	97	176	03:39:43.000		DMS:	: *US AT SP	P7, TRACK 1, FWD, TIC *1036.81 +/-	400	4	0	4,014,418:31.1	
246	97	176	03:39:48.266		DMS:	: *US RD	P7, TRACK 1, FWD, TIC *1038.04 +/-	400	4	0	4,014,418:39.0	
247	97	176	03:39:49.466		DMS:	: *RUNUP	R7, TRACK *4, *REV, TIC *1038.10 +/-	400	4	0	4,014,418:40.8	
248	97	176	03:39:50.866		DMS:	: *AT SPD	R7, TRACK 4, REV, TIC *1037.98 +/-	400	4	0	4,014,418:42.9	
249	97	176	03:40:16.266		DMS:	: *RECORD	R7, TRACK 4, REV, TIC *1032.03 +/-	400	4	0	4,014,418:81.0	
250	97	176	03:40:38.933		DMS:	: *RUNDOWN	R7, TRACK 4, REV, TIC *1026.72 +/-	400	4	0	4,014,419:24.0	
251	97	176	03:40:38.933	50ZZ6RE	6DMSC	RDY,0	DMS Control Tape stop	400	4	0	4,014,419:24.0	
252	97	176	03:40:40.133		DMS:	: *READY	RDY, TRACK 4, REV, TIC *1026.66 +/-	400	4	0	4,014,419:25.8	
253	97	176	03:42:34.266	117GA105A106B4BO	7STRP	0.0007,0.046039,	Slew =12.01	400	4	0	4,014,421:15.0	
254	97	176	03:42:45.600	117GA105A106B4BP	7STRP	0.0.-0.046039,0,	Slew =0.31	400	4	0	4,014,421:32.0	
255	97	176	03:45:47.600	117GA105A106B4BQ	7STRP	0.0007,0.046039,	Slew =12.01	400	4	0	4,014,424:32.0	
256	97	176	03:45:58.933	117GA105A106B4BR	7STRP	0.0.-0.046039,0,	Slew =0.31	400	4	0	4,014,424:49.0	
257	97	176	03:49:00.933	117GA105A106B4BS	7STRP	0.0007,0.046039,	Slew =12.01	400	4	0	4,014,427:49.0	
258	97	176	03:49:12.266	117GA105A106B4BT	7STRP	0.0.-0.046039,0,	Slew =0.31	400	4	0	4,014,427:66.0	
259	97	176	03:52:14.266	117GA105A106B4BU	7STRP	0.0007,0.046039,	Slew =12.01	400	4	0	4,014,430:66.0	
260	97	176	03:52:25.600	117GA105A106B4BV	7STRP	0.0.-0.046039,0,	Slew =0.31	400	4	0	4,014,430:83.0	
261	97	176	03:55:27.600	117GA105A106B4BW	7STRP	0.0007,0.046039,	Slew =0.31	400	4	0	4,014,433:83.0	
262	97	176	03:55:38.933	117GA105A106B4BX	7STRP	0.0.-0.046039,0,	Slew =12.01	400	4	0	4,014,434:09.0	
263	97	176	03:57:32.266	50ZZ6XX	6DMSC	RDY,0	DMS Control Tape runup 7.68kps	400	4	0	4,014,435:88.0	
264	97	176	03:57:32.266		DMS:	: *US-RUNUP	P7, TRACK *1, *FWD, TIC 1026.66 +/-	400	4	0	4,014,435:88.0	
265	97	176	03:57:33.666		DMS:	: *US AT SP	P7, TRACK 1, FWD, TIC *1026.78 +/-	400	4	0	4,014,435:90.1	
266	97	176	03:57:38.933		DMS:	: *US RD	P7, TRACK 1, FWD, TIC *1028.01 +/-	400	4	0	4,014,436:07.0	
267	97	176	03:57:40.133		DMS:	: *RUNUP	R7, TRACK *4, *REV, TIC *1028.07 +/-	400	4	0	4,014,436:08.8	
268	97	176	03:57:41.533		DMS:	: *AT SPD	R7, TRACK 4, REV, TIC *1027.95 +/-	400	4	0	4,014,436:10.9	
269	97	176	03:58:07.600		DMS:	: *RECORD	R7, TRACK 4, REV, TIC *1021.84 +/-	400	4	0	4,014,436:50.0	
270	97	176	03:58:30.266	50ZZ6RD	6DMSC	RDY,0	DMS Control Tape stop	400	4	0	4,014,436:84.0	
271	97	176	03:58:30.266		DMS:	: *RUNDOWN	R7, TRACK 4, REV, TIC *1016.53 +/-	400	4	0	4,014,436:84.0	
272	97	176	03:58:31.466		DMS:	: *READY	RDY, TRACK 4, REV, TIC *1016.47 +/-	400	4	0	4,014,436:85.8	
273	97	176	03:58:40.933	117GA105A106B4BY	7STRP	0.0007,0.046039,	Slew =12.01	400	4	0	4,014,437:09.0	

Line	YR	DOY	SCET - GMT	PSID	Command	Parameters	Description	GCM	GO	GS	RIM	MFI
274	97	176	03:58:52.266	117GA105A106B4BZ	7STRP	0.0,-0.0,0.46039,0,	Slew =0.31	400	4	0	4,014,437:26:0	
275	97	176	04:01:54.266	117GA105A106B4CA	7STRP	0.0007,0.046039,	Slew =12.01	400	4	0	4,014,440:26:0	
276	97	176	04:02:05.600	117GA105A106B4CB	7STRP	0.0,-0.0,0.46039,0,	Slew =0.31	400	4	0	4,014,440:43:0	
277	97	176	04:05:07.600	117GA105A106B4CC	7STRP	0.0007,0.046039,	Slew =12.01	400	4	0	4,014,443:43:0	
278	97	176	04:05:18.933	117GA105A106B4CD	7STRP	0.0,-0.0,0.46039,0,	Slew =0.31	400	4	0	4,014,443:60:0	
279	97	176	04:08:20.933	117GA105A106B4CE	7STRP	0.0007,0.046039,	Slew =12.01	400	4	0	4,014,446:60:0	
280	97	176	04:08:32.266	117GA105A106B4CF	7STRP	0.0,-0.0,0.46039,0,	Slew =0.31	400	4	0	4,014,446:77:0	
281	97	176	04:11:34.266	117GA105A106B4CG	7STRP	0.0007,0.046039,	Slew =12.01	400	4	0	4,014,449:77:0	
282	97	176	04:11:45.600	117GA105A106B4CH	7STRP	0.0,-0.0,0.46039,0,	Slew =0.31	400	4	0	4,014,450:03:0	
283	97	176	04:14:47.600	117GA105A106B4CI	7STRP	0.0007,0.046039,	Slew =12.01	400	4	0	4,014,453:03:0	
284	97	176	04:14:58.933	117GA105A106B4CJ	7STRP	0.0,-0.0,0.46039,0,	Slew =0.31	400	4	0	4,014,453:20:0	
285	97	176	04:15:23.600	50ZZ6XX	6DMSC	R7,0	DMS Control Tape runup 7.68kps	400	4	0	4,014,453:57:0	
286	97	176	04:15:23.600		DMS:	: *US-RUNUP	P7, TRACK *1, *FWD, TIC 1016.47 +/-	400	4	0	4,014,453:57:0	
287	97	176	04:15:25.000		DMS:	: *US. AT. SP	P7, TRACK 1, FWD, TIC *1016.59 +/-	400	4	0	4,014,453:59:1	
288	97	176	04:15:30.266		DMS:	: *US. RD	P7, TRACK 1, FWD, TIC *1017.82 +/-	400	4	0	4,014,453:67:0	
289	97	176	04:15:31.466		DMS:	: *RUNUP	R7, TRACK *4, *REV, TIC *1017.88 +/-	400	4	0	4,014,453:68:8	
290	97	176	04:15:32.866		DMS:	: *AT. SPD	R7, TRACK 4, REV, TIC *1017.76 +/-	400	4	0	4,014,453:70:9	
291	97	176	04:15:58.933		DMS:	: *RECORD	R7, TRACK 4, REV, TIC *1011.65 +/-	400	4	0	4,014,454:19:0	
292	97	176	04:16:21.600	50ZZ6RE	6DMSC	RDY,0	DMS Control Tape stop	400	4	0	4,014,454:53:0	
293	97	176	04:16:21.600		DMS:	: *RUNDOWN	R7, TRACK 4, REV, TIC *1006.34 +/-	400	4	0	4,014,454:53:0	
294	97	176	04:16:22.800		DMS:	: *READY	RDY, TRACK 4, REV, TIC *1006.28 +/-	400	4	0	4,014,454:54:8	
295	97	176	04:18:00.933	117GA105A106B4CK	7STRP	0.0007,0.046039,	Slew =12.01	400	4	0	4,014,456:20:0	
296	97	176	04:18:12.266	117GA105A106B4CL	7STRP	0.0,-0.0,0.46039,0,	Slew =0.31	400	4	0	4,014,456:37:0	
297	97	176	04:21:14.266	117GA105A106B4CM	7STRP	0.0007,0.046039,	Slew =12.01	400	4	0	4,014,459:37:0	
298	97	176	04:21:25.600	117GA105A106B4CN	7STRP	0.0,-0.0,0.46039,0,	Slew =0.31	400	4	0	4,014,459:54:0	
299	97	176	04:24:27.600	117GA105A106B4CO	7STRP	0.0007,0.046039,	Slew =12.01	400	4	0	4,014,462:54:0	
300	97	176	04:24:38.933	117GA105A106B4CP	7STRP	0.0,-0.0,0.46039,0,	Slew =0.31	400	4	0	4,014,462:71:0	
301	97	176	04:27:40.933	117GA105A106B4CQ	7STRP	0.0007,0.046039,	Slew =12.01	400	4	0	4,014,465:71:0	
302	97	176	04:27:52.266	117GA105A106B4CR	7STRP	0.0,-0.0,0.46039,0,	Slew =0.31	400	4	0	4,014,465:88:0	
303	97	176	04:30:54.266	117GA105A106B4CS	7STRP	0.0007,0.046039,	Slew =12.01	400	4	0	4,014,468:88:0	
304	97	176	04:31:05.600	117GA105A106B4CT	7STRP	0.0,-0.0,0.46039,0,	Slew =0.31	400	4	0	4,014,469:14:0	
305	97	176	04:33:14.933		DMS:	: *US-RUNUP	P7, TRACK *1, *FWD, TIC 1006.28 +/-	400	4	0	4,014,471:26:0	
306	97	176	04:33:14.933	50ZZ6XX	6DMSC	R7,0	DMS Control Tape runup 7.68kps	400	4	0	4,014,471:26:0	
307	97	176	04:33:16.333		DMS:	: *US. AT. SP	P7, TRACK 1, FWD, TIC *1006.40 +/-	400	4	0	4,014,471:28:1	
308	97	176	04:33:21.600		DMS:	: *US. RD	P7, TRACK 1, FWD, TIC *1007.64 +/-	400	4	0	4,014,471:36:0	
309	97	176	04:33:22.800		DMS:	: *RUNUP	R7, TRACK *4, *REV, TIC *1007.70 +/-	400	4	0	4,014,471:37:8	
310	97	176	04:33:24.200		DMS:	: *AT. SPD	R7, TRACK 4, REV, TIC *1007.58 +/-	400	4	0	4,014,471:39:9	
311	97	176	04:33:50.266		DMS:	: *RECORD	R7, TRACK 4, REV, TIC *1001.47 +/-	400	4	0	4,014,471:79:0	
312	97	176	04:34:07.600	117GA105A106B4CU	7STRP	0.0007,0.046039,	Slew =12.01	400	4	0	4,014,472:14:0	
313	97	176	04:34:12.933		DMS:	: *RUNDOWN	R7, TRACK 4, REV, TIC *996.15 +/-	400	4	0	4,014,472:22:0	
314	97	176	04:34:12.933	50ZZ6RD	6DMSC	RDY,0	DMS Control Tape stop	400	4	0	4,014,472:22:0	
315	97	176	04:34:14.133		DMS:	: *READY	RDY, TRACK 4, REV, TIC *996.09 +/-	400	4	0	4,014,472:23:8	
316	97	176	04:34:18.933	117GA105A106B4CV	7STRP	0.0,-0.0,0.46039,0,	Slew =0.31	400	4	0	4,014,472:31:0	
317	97	176	04:37:20.933	117GA105A106B4CW	7STRP	0.0007,0.046039,	Slew =12.01	400	4	0	4,014,475:31:0	
318	97	176	04:37:32.266	117GA105A106B4CX	7STRP	0.0,-0.0,0.46039,0,	Slew =0.31	400	4	0	4,014,475:48:0	
319	97	176	04:40:34.266	117GA105A106B4CY	7STRP	0.0007,0.046039,	Slew =12.01	400	4	0	4,014,478:48:0	
320	97	176	04:40:45.600	117GA105A106B4CZ	7STRP	0.0,-0.0,0.46039,0,	Slew =0.31	400	4	0	4,014,478:65:0	
321	97	176	04:43:47.600	117GA105A106B4DA	7STRP	0.0007,0.046039,	Slew =12.01	400	4	0	4,014,481:65:0	
322	97	176	04:43:58.933	117GA105A106B4DB	7STRP	0.0,-0.0,0.46039,0,	Slew =0.31	400	4	0	4,014,481:82:0	
323	97	176	04:47:00.933	117GA105A106B4DC	7STRP	0.0007,0.046039,	Slew =12.01	400	4	0	4,014,484:82:0	
324	97	176	04:47:12.266	117GA105A106B4DD	7STRP	0.0,-0.0,0.46039,0,	Slew =0.31	400	4	0	4,014,485:08:0	
325	97	176	04:50:14.266	117GA105A106B4DE	7STRP	0.0007,0.046039,	Slew =12.01	400	4	0	4,014,488:08:0	
326	97	176	04:50:25.600	117GA105A106B4DF	7STRP	0.0,-0.0,0.46039,0,	Slew =0.31	400	4	0	4,014,488:25:0	
327	97	176	04:51:06.266	50ZZ6XX	6DMSC	R7,0	DMS Control Tape runup 7.68kps	400	4	0	4,014,488:86:0	
328	97	176	04:51:06.266		DMS:	: *US-RUNUP	P7, TRACK *1, *FWD, TIC 996.09 +/-	400	4	0	4,014,488:86:0	

Line	YR	DOY	SCET - GMT	PSID	Command	Parameters	Description	GCM	GO	GS	RIM	MFI
329	97	176	04:51:07.666		DMS:	: *US_AT_SP	P7, TRACK 1, FWD, TIC * 996.21 +/-	400	4	0	4,014,488:88:1	
330	97	176	04:51:12.933		DMS:	: *US_RD	P7, TRACK 1, FWD, TIC * 997.45 +/-	400	4	0	4,014,489:05:0	
331	97	176	04:51:14.133		DMS:	: *RUNUP	R7, TRACK *4, *REV, TIC * 997.51 +/-	400	4	0	4,014,489:06:8	
332	97	176	04:51:15.533		DMS:	: *AT_SPD	R7, TRACK 4, REV, TIC * 997.39 +/-	400	4	0	4,014,489:08:9	
333	97	176	04:51:41.600		DMS:	: *RECORD	R7, TRACK 4, REV, TIC * 991.28 +/-	400	4	0	4,014,489:48:0	
334	97	176	04:52:04.266	50ZZ6RE	6DMSC	RDY,0	DMS Control Tape stop	400	4	0	4,014,489:82:0	
335	97	176	04:52:04.266		DMS:	: *RUNDOWN	R7, TRACK 4, REV, TIC * 985.97 +/-	400	4	0	4,014,489:82:0	
336	97	176	04:52:05.466		DMS:	: *READY	RDY, TRACK 4, REV, TIC * 985.91 +/-	400	4	0	4,014,489:83:8	
337	97	176	04:53:27.600	117GA105A106B4DG	7STRP	0.0007,0.046039,	Slew =12.01	400	4	0	4,014,491:25:0	
338	97	176	04:53:38.933	117GA105A106B4DH	7STRP	0.0,-0.046039,0,	Slew =0.31	400	4	0	4,014,491:42:0	
339	97	176	04:56:40.933	117GA105A106B4DI	7STRP	0.0007,0.046039,	Slew =12.01	400	4	0	4,014,494:42:0	
340	97	176	04:56:52.266	117GA105A106B4DJ	7STRP	0.0,-0.046039,0,	Slew =0.31	400	4	0	4,014,494:59:0	
341	97	176	04:59:54.266	117GA105A106B4DK	7STRP	0.0007,0.046039,	Slew =12.01	400	4	0	4,014,497:59:0	
342	97	176	05:00:05.600	117GA105A106B4DL	7STRP	0.0,-0.046039,0,	Slew =0.31	400	4	0	4,014,497:76:0	
343	97	176	05:03:07.600	117GA105A106B4DM	7STRP	0.0007,0.046039,	Slew =12.01	400	4	0	4,014,500:76:0	
344	97	176	05:03:18.933	117GA105A106B4DN	7STRP	0.0,-0.046039,0,	Slew =,0.31	400	4	0	4,014,501:02:0	
345	97	176	05:06:20.933	117GA105A106B4DO	7STRP	0.0007,0.046039,	Slew =12.01	400	4	0	4,014,504:02:0	
346	97	176	05:06:32.266	117GA105A106B4DP	7STRP	0.0,-0.046039,0,	Slew =,0.31	400	4	0	4,014,504:19:0	
347	97	176	05:08:57.600	50ZZ6XX	6DMSC	R7,0	DMS Control Tape runup 7.68kps	400	4	0	4,014,506:55:0	
348	97	176	05:08:57.600		DMS:	: *US-RUNUP	P7, TRACK *1, *FWD, TIC * 985.91 +/-	400	4	0	4,014,506:55:0	
349	97	176	05:08:59.000		DMS:	: *US_AT_SP	P7, TRACK 1, FWD, TIC * 986.03 +/-	400	4	0	4,014,506:57:1	
350	97	176	05:09:04.266		DMS:	: *US_RD	P7, TRACK 1, FWD, TIC * 987.26 +/-	400	4	0	4,014,506:65:0	
351	97	176	05:09:05.466		DMS:	: *RUNUP	R7, TRACK *4, *REV, TIC * 987.32 +/-	400	4	0	4,014,506:66:8	
352	97	176	05:09:06.866		DMS:	: *AT_SPD	R7, TRACK 4, REV, TIC * 987.20 +/-	400	4	0	4,014,506:68:9	
353	97	176	05:09:32.933		DMS:	: *RECORD	R7, TRACK 4, REV, TIC * 981.09 +/-	400	4	0	4,014,507:17:0	
354	97	176	05:09:34.266	117GA105A106B4DQ	7STRP	0.0007,0.046039,	Slew =12.01	400	4	0	4,014,507:19:0	
355	97	176	05:09:45.600	117GA105A106B4DR	7STRP	0.0,-0.046039,0,	Slew =0.31	400	4	0	4,014,507:36:0	
356	97	176	05:09:55.600		DMS:	: *RUNDOWN	R7, TRACK 4, REV, TIC * 975.78 +/-	400	4	0	4,014,507:51:0	
357	97	176	05:09:55.600	50ZZ6RD	6DMSC	RDY,0	DMS Control Tape stop	400	4	0	4,014,507:51:0	
358	97	176	05:09:56.800		DMS:	: *READY	RDY, TRACK 4, REV, TIC * 975.72 +/-	400	4	0	4,014,507:52:8	
359	97	176	05:12:27.600	C9NNCHOPON01-		-----START-----		400	4	0	:	:
360	97	176	05:12:47.600	117GA105A106B4DS	7STRP	0.0007,0.046039,	Slew =12.01	400	4	0	4,014,510:36:0	
361	97	176	05:12:58.933	117GA105A106B4DT	7STRP	0.0,-0.046039,0,	Slew =,0.31	400	4	0	4,014,510:53:0	
362	97	176	05:15:20.933	125KA	NIMSINIT	GS	##### GROUP START INIT	400	4	0	4,014,512:84:0	
363	97	176	05:15:20.933	125KA4A	37IST	1.0,0,OFF,0.0,0	Chopper ON, Sync, 63Hz (Ref)	460	4	0	4,014,512:84:0	
364	97	176	05:16:00.933	117GA105A106B4DU	7STRP	0.0007,0.046039,	Slew =12.01	460	4	0	4,014,513:53:0	
365	97	176	05:16:12.266	117GA105A106B4DV	7STRP	0.0,-0.046039,0,	Slew =0.31	460	4	0	4,014,513:70:0	
366	97	176	05:16:21.600	125KA4B	37IST	1.2,0,OFF,0.0,0	Chopper ON, Sync, Chopper (Ref)	2R0	4	0	4,014,513:84:0	
367	97	176	05:17:22.266	125KA11A	NIMSINIT	GE	##### GROUP END INIT	2R0	4	0	4,014,514:84:0	
368	97	176	05:17:22.266	125KA4C	37MB	0.0,0.0,0.0,0	Selects mirror (spatial) edit table	2R0	4	0	4,014,514:84:0	
369	97	176	05:19:14.266	117GA105A106B4DW	7STRP	0.0007,0.046039,	Slew =12.01	2R0	4	0	4,014,516:70:0	
370	97	176	05:19:25.600	117GA105A106B4DX	7STRP	0.0,-0.046039,0,	Slew =0.31	2R0	4	0	4,014,516:87:0	
371	97	176	05:22:27.600	117GA105A106B4DY	7STRP	0.0007,0.046039,	Slew =12.01	2R0	4	0	4,014,519:87:0	
372	97	176	05:22:34.267	C9NNCHOPON01-		-----STOP-----		2R0	4	0	:	:
373	97	176	05:22:38.933	117GA105A106B4DZ	7STRP	0.0,-0.046039,0,	Slew =0.31	2R0	4	0	4,014,520:13:0	
374	97	176	05:25:40.933	117GA105A106B4EA	7STRP	0.0007,0.046039,	Slew =12.01	2R0	4	0	4,014,523:13:0	
375	97	176	05:25:52.266	117GA105A106B4EB	7STRP	0.0,-0.046039,0,	Slew =0.31	2R0	4	0	4,014,523:30:0	
376	97	176	05:26:48.933	50ZZ6XX	6DMSC	R7,0	DMS Control Tape runup 7.68kps	2R0	4	0	4,014,524:24:0	
377	97	176	05:26:48.933		DMS:	: *US-RUNUP	P7, TRACK *1, *FWD, TIC * 975.72 +/-	2R0	4	0	4,014,524:24:0	
378	97	176	05:26:50.333		DMS:	: *US_AT_SP	P7, TRACK 1, FWD, TIC * 975.84 +/-	2R0	4	0	4,014,524:26:1	
379	97	176	05:26:55.600		DMS:	: *US_RD	P7, TRACK 1, FWD, TIC * 977.07 +/-	2R0	4	0	4,014,524:34:0	
380	97	176	05:26:56.800		DMS:	: *RUNUP	R7, TRACK *4, *REV, TIC * 977.13 +/-	2R0	4	0	4,014,524:35:8	
381	97	176	05:26:58.200		DMS:	: *AT_SPD	R7, TRACK 4, REV, TIC * 977.01 +/-	2R0	4	0	4,014,524:37:9	
382	97	176	05:27:23.600		DMS:	: *RECORD	R7, TRACK 4, REV, TIC * 971.06 +/-	2R0	4	0	4,014,524:76:0	
383	97	176	05:27:46.266	50ZZ6RE	6DMSC	RDY,0	DMS Control Tape stop	2R0	4	0	4,014,525:19:0	

Line	YR	DOY	SCET - GMT	PSID	Command	Parameters	Description	GCM	GO	GS	RIM	MFI
384	97	176	05:27:46.266		DMS:	: *RUNDOWN	R7, TRACK 4, REV, TIC * 965.75 +/-	2R0	4	0	4,014,525:19:0	
385	97	176	05:27:47.466		DMS:	: *READY	RDY, TRACK 4, REV, TIC * 965.69 +/-	2R0	4	0	4,014,525:20:8	
386	97	176	05:28:54.266	117GA105A106B4EC	7STRP	0.0007,0.046039, Slew = 12.01		2R0	4	0	4,014,526:30:0	
387	97	176	05:29:05.600	117GA105A106B4ED	7STRP	0.0 - 0.046039,0, Slew = 0.31		2R0	4	0	4,014,526:47:0	
388	97	176	05:32:07.600	117GA105A106B4EE	7STRP	0.0007,0.046039, Slew = 12.01		2R0	4	0	4,014,529:47:0	
389	97	176	05:32:18.933	117GA105A106B4EF	7STRP	0.0 - 0.046039,0, Slew = 0.31		2R0	4	0	4,014,529:64:0	
390	97	176	05:35:20.933	117GA105A106B4EG	7STRP	0.0007,0.046039, Slew = 12.01		2R0	4	0	4,014,532:64:0	
391	97	176	05:35:32.266	117GA105A106B4EH	7STRP	0.0 - 0.046039,0, Slew = 0.31		2R0	4	0	4,014,532:81:0	
392	97	176	05:38:34.266	117GA105A106B4EI	7STRP	0.0007,0.046039, Slew = 12.01		2R0	4	0	4,014,535:81:0	
393	97	176	05:38:45.600	117GA105A106B4EJ	7STRP	0.0 - 0.046039,0, Slew = 0.31		2R0	4	0	4,014,536:07:0	
394	97	176	05:41:47.600	117GA105A106B4EK	7STRP	0.0007,0.046039, Slew = 12.01		2R0	4	0	4,014,539:07:0	
395	97	176	05:41:58.933	117GA105A106B4EL	7STRP	0.0 - 0.046039,0, Slew = 0.31		2R0	4	0	4,014,539:24:0	
396	97	176	05:44:40.266	50ZZ6XX	6DMSC	R7,0	DMS Control Tape runup 7.68kps	2R0	4	0	4,014,541:84:0	
397	97	176	05:44:40.266		DMS:	: *US-RUNUP	P7, TRACK *1, *FWD, TIC 965.69 +/-	2R0	4	0	4,014,541:84:0	
398	97	176	05:44:41.666		DMS:	: *US AT SP	P7, TRACK 1, FWD, TIC * 965.81 +/-	2R0	4	0	4,014,541:86:1	
399	97	176	05:44:46.933		DMS:	: *US_RD	P7, TRACK 1, FWD, TIC * 967.04 +/-	2R0	4	0	4,014,542:03:0	
400	97	176	05:44:48.133		DMS:	: *RUNUP	R7, TRACK *4, *REV, TIC * 967.10 +/-	2R0	4	0	4,014,542:04:8	
401	97	176	05:44:49.533		DMS:	: *AT SPD	R7, TRACK 4, REV, TIC * 966.98 +/-	2R0	4	0	4,014,542:06:9	
402	97	176	05:45:00.933	117GA105A106B4EM	7STRP	0.0007,0.046039, Slew = 12.01		2R0	4	0	4,014,542:24:0	
403	97	176	05:45:12.266	117GA105A106B4EN	7STRP	0.0 - 0.046039,0, Slew = 0.31		2R0	4	0	4,014,542:41:0	
404	97	176	05:45:14.933		DMS:	: *RECORD	R7, TRACK 4, REV, TIC * 961.03 +/-	2R0	4	0	4,014,542:45:0	
405	97	176	05:45:37.600	50ZZ6RD	6DMSC	RDY,0	DMS Control Tape stop	2R0	4	0	4,014,542:79:0	
406	97	176	05:45:37.600		DMS:	: *RUNDOWN	R7, TRACK 4, REV, TIC * 955.72 +/-	2R0	4	0	4,014,542:79:0	
407	97	176	05:45:38.800		DMS:	: *READY	RDY, TRACK 4, REV, TIC * 955.66 +/-	2R0	4	0	4,014,542:80:8	
408	97	176	05:48:14.266	117GA105A106B4EO	7STRP	0.0007,0.046039, Slew = 12.01		2R0	4	0	4,014,545:41:0	
409	97	176	05:48:25.600	117GA105A106B4EP	7STRP	0.0 - 0.046039,0, Slew = 0.31		2R0	4	0	4,014,545:58:0	
410	97	176	05:51:27.600	117GA105A106B4EQ	7STRP	0.0007,0.046039, Slew = 12.01		2R0	4	0	4,014,548:58:0	
411	97	176	05:51:38.933	117GA105A106B4ER	7STRP	0.0 - 0.046039,0, Slew = 0.31		2R0	4	0	4,014,548:75:0	
412	97	176	05:54:40.933	117GA105A106B4ES	7STRP	0.0007,0.046039, Slew = 12.01		2R0	4	0	4,014,551:75:0	
413	97	176	05:54:52.266	117GA105A106B4ET	7STRP	0.0 - 0.046039,0, Slew = 0.31		2R0	4	0	4,014,552:01:0	
414	97	176	05:57:54.266	117GA105A106B4EU	7STRP	0.0007,0.046039, Slew = 12.01		2R0	4	0	4,014,555:01:0	
415	97	176	05:58:05.600	117GA105A106B4EV	7STRP	0.0 - 0.046039,0, Slew = 0.31		2R0	4	0	4,014,555:18:0	
416	97	176	06:01:07.600	117GA105A106B4EW	7STRP	0.0007,0.046039, Slew = 12.01		2R0	4	0	4,014,558:18:0	
417	97	176	06:01:18.933	117GA105A106B4EX	7STRP	0.0 - 0.046039,0, Slew = 0.31		2R0	4	0	4,014,558:35:0	
418	97	176	06:02:31.600	50ZZ6XX	6DMSC	R7,0	DMS Control Tape runup 7.68kps	2R0	4	0	4,014,559:53:0	
419	97	176	06:02:31.600		DMS:	: *US-RUNUP	P7, TRACK *1, *FWD, TIC 955.66 +/-	2R0	4	0	4,014,559:53:0	
420	97	176	06:02:33.000		DMS:	: *US AT SP	P7, TRACK 1, FWD, TIC * 955.78 +/-	2R0	4	0	4,014,559:55:1	
421	97	176	06:02:38.266		DMS:	: *US_RD	P7, TRACK 1, FWD, TIC * 957.01 +/-	2R0	4	0	4,014,559:63:0	
422	97	176	06:02:39.466		DMS:	: *RUNUP	R7, TRACK *4, *REV, TIC * 957.07 +/-	2R0	4	0	4,014,559:64:8	
423	97	176	06:02:40.866		DMS:	: *AT SPD	R7, TRACK 4, REV, TIC * 956.95 +/-	2R0	4	0	4,014,559:66:9	
424	97	176	06:03:06.266		DMS:	: *RECORD	R7, TRACK 4, REV, TIC * 951.00 +/-	2R0	4	0	4,014,560:14:0	
425	97	176	06:03:28.933		DMS:	: *RUNDOWN	R7, TRACK 4, REV, TIC * 945.68 +/-	2R0	4	0	4,014,560:48:0	
426	97	176	06:03:28.933	50ZZ6RE	6DMSC	RDY,0	DMS Control Tape stop	2R0	4	0	4,014,560:48:0	
427	97	176	06:03:30.133		DMS:	: *READY	RDY, TRACK 4, REV, TIC * 945.63 +/-	2R0	4	0	4,014,560:49:8	
428	97	176	06:04:20.266	176GA6B	6TMREC	NRC	NO RECORD Record Mode Change	2R0	4	0	4,014,561:34:0	
429	97	176	06:04:20.933	117GA11A	6SMOS	GE	***** GROUP END CSMOS	2R0	4	0	4,014,561:35:0	
430	97	176	06:04:22.266	50ZZ6XX	6DMSC	R7,0	DMS Control Tape runup 7.68kps	2R0	4	0	4,014,561:37:0	
431	97	176	06:04:22.266		DMS:	: *US-RUNUP	P7, TRACK *1, *FWD, TIC 945.63 +/-	2R0	4	0	4,014,561:37:0	
432	97	176	06:04:23.666		DMS:	: *US AT SP	P7, TRACK 1, FWD, TIC * 945.74 +/-	2R0	4	0	4,014,561:39:1	
433	97	176	06:04:28.933		DMS:	: *US_RD	P7, TRACK 1, FWD, TIC * 946.98 +/-	2R0	4	0	4,014,561:47:0	
434	97	176	06:04:30.133		DMS:	: *RUNUP	R7, TRACK *4, *REV, TIC * 947.04 +/-	2R0	4	0	4,014,561:48:8	
435	97	176	06:04:31.533		DMS:	: *AT SPD	R7, TRACK 4, REV, TIC * 946.92 +/-	2R0	4	0	4,014,561:50:9	
436	97	176	06:04:32.266		DMS:	: *RECORD	R7, TRACK 4, REV, TIC * 946.75 +/-	2R0	4	0	4,014,561:52:0	
437	97	176	06:04:42.266		DMS:	: *RUNDOWN	R7, TRACK 4, REV, TIC * 944.40 +/-	2R0	4	0	4,014,561:67:0	
438	97	176	06:04:42.266	50ZZ6RD	6DMSC	RDY,0	DMS Control Tape stop	2R0	4	0	4,014,561:67:0	

Line	YR	DOY	SCET - GMT	PSID	Command	Parameters	Description	GCM	GO	GS	RIM	MFI
439	97	176	06:04:43.466		DMS:	: *READY	RDY, TRACK 4, REV, TIC * 944.34 +/-	2R0	4	0	4,014,561:68:8	
440	97	176	06:17:11.600	488M6A	6TMSED	NORM,EL4	Sci, Eng, and D/L Chan	2R0	4	0	4,014,574:08:0	
441	97	176	06:22:06.933	176DC6A	6TMREC	NRC	NO RECORD Record Mode Change	2R0	4	0	4,014,578:87:0	
442	97	176	06:22:13.600	C9CNGLOBAL01-		-----START-----		2R0	4	0	:	:
443	97	176	06:23:09.600	165DC4A	7SCAN	NORM,223.723,-17	Check SIP Position	2R0	4	0	4,014,579:90:0	
444	97	176	06:24:06.266	125DC4A	37IST	1,2,0,OFF,0,1,1	Chopper ON, Sync, Chopper (Ref)Gain State	4R0	4	0	4,014,580:84:0	
445	97	176	06:24:06.266	125DC	NIMSINIT	GS	##### GROUP START INIT	4R0	4	0	4,014,580:84:0	
446	97	176	06:24:06.266	125DC11A	NIMSINIT	GE	##### GROUP END INIT	4R0	4	0	4,014,580:84:0	
447	97	176	06:25:06.933	127DC4A	37IOP	3,0	Long Map, Grating Start Position =00	4R3	4	0	4,014,581:84:0	
448	97	176	06:25:06.933	127DC	NIMSTAB	GS	%%/%/% GROUP START TAB	4R3	4	0	4,014,581:84:0	
449	97	176	06:25:07.600	127DC4B	37ETB	07,C7,02,00,F0,0	Loads wavelength edit table	4R3	4	0	4,014,581:85:0	
450	97	176	06:25:15.600	127DC11A	NIMSTAB	GE	%%/%/% GROUP END TAB	4R3	4	0	4,014,582:06:0	
451	97	176	06:26:00.266	175DC422A6A	6DMSC	R7,0	DMS Control Tape runup 7.68kps	4R3	4	0	4,014,582:73:0	
452	97	176	06:26:00.266		DMS:	: *US-RUNUP	P7, TRACK *1, *FWD, TIC 944.34 +/-	4R3	4	0	4,014,582:73:0	
453	97	176	06:26:01.666		DMS:	: *US_AT_SP	P7, TRACK 1, FWD, TIC * 944.46 +/-	4R3	4	0	4,014,582:75:1	
454	97	176	06:26:02.933	117DC	CSMOS	GS	***** GROUP START CSMOS	4R3	4	0	4,014,582:77:0	
455	97	176	06:26:06.933		DMS:	: *US_RD	P7, TRACK 1, FWD, TIC * 945.70 +/-	4R3	4	0	4,014,582:83:0	
456	97	176	06:26:08.133		DMS:	: *RUNUP	R7, TRACK *4, *REV, TIC * 945.76 +/-	4R3	4	0	4,014,582:84:8	
457	97	176	06:26:08.933	175DC176A6A	6TMREC	LPU	7.68 KBPS NIMS-UVS-PPR RECORD Record Mode	4R3	4	0	4,014,582:86:0	
458	97	176	06:26:09.533		DMS:	: *RECORD	R7, TRACK 4, REV, TIC * 945.64 +/-	4R3	4	0	4,014,582:86:9	
459	97	176	06:26:09.533		DMS:	: *AT_SPD	R7, TRACK 4, REV, TIC 945.64 +/-	4R3	4	0	4,014,582:86:9	
460	97	176	06:26:10.933	165DC4B	7VECT		Inert vect update UTC	4R3	4	0	4,014,582:89:0	
461	97	176	06:26:12.266	117DC105A106A4A	7STRP	-0.018002,0.0,0.0,	Slew =-0.03	4R3	4	0	4,014,583:00:0	
462	97	176	06:26:12.266	C9CNGLOBAL01-	NIMPBK	301DA	CALLISTO GLOBAL COVERAGE	4R3	4	0	:	:
463	97	176	06:38:10.266	117DC105A106A4B	7STRP	0.018002,-0.008,	Slew =10.61	4R3	4	0	4,014,594:76:0	
464	97	176	06:38:15.600	117DC105A106A4C	7STRP	-0.018002,0.0,0.0,	Slew =-0.03	4R3	4	0	4,014,594:84:0	
465	97	176	06:50:13.600	117DC105A106A4D	7STRP	0.018002,-0.008,	Slew =10.61	4R3	4	0	4,014,606:69:0	
466	97	176	06:50:18.933	117DC105A106A4E	7STRP	-0.018002,0.0,0.0,	Slew =-0.03	4R3	4	0	4,014,606:77:0	
467	97	176	06:59:32.933	C9CNGLOBAL01-	DESEL	300DA	CALLISTO GLOBAL COVERAGE	4R3	4	0	:	:
468	97	176	06:59:44.266		DMS:	: *RUNDOWN	R7, TRACK 4, REV, TIC * 473.43 +/-	4R3	4	0	4,014,616:15:0	
469	97	176	06:59:44.266	175DC422A6B	6DMSC	RDY,0	DMS Control Tape stop	4R3	4	0	4,014,616:15:0	
470	97	176	06:59:44.266	175DC6A	6TMREC	NRC	NO RECORD Record Mode Change	4R3	4	0	4,014,616:15:0	
471	97	176	06:59:45.466		DMS:	: *READY	RDY, TRACK 4, REV, TIC * 473.38 +/-	4R3	4	0	4,014,616:16:8	
472	97	176	06:59:51.600	488M6B	6TMSED	NORM,EL5	Sci, Eng, and D/L Chan	4R3	4	0	4,014,616:26:0	
473	97	176	07:02:16.933	117DC11A	CSMOS	GE	***** GROUP END CSMOS	4R3	4	0	4,014,618:62:0	
474	97	176	07:08:23.600	488M6C	6TMSED	NORM,EL2	Sci, Eng, and D/L Chan	4R3	4	0	4,014,624:66:0	
475	97	176	07:09:29.600	488M6D	6TMSED	FILL,EL2	Sci, Eng, and D/L Chan	4R3	4	0	4,014,625:74:0	
476	97	176	07:26:26.934	C9CNGLOBAL01-		-----STOP-----		4R3	4	0	:	:
477	97	176	07:32:00.266	488M6E	6TMSED	FILL,EH2	Sci, Eng, and D/L Chan	4R3	4	0	4,014,648:07:0	
478	97	176	07:35:00.266	41VB99A	POWER	PWR MODE change	Change to Maneuver/Playback Mode	4R3	4	0	4,014,651:04:0	
479	97	176	07:36:54.266	41VB3G	40T1P		1 PCT Heater 1 ON (primary relay)	4R3	4	0	4,014,652:84:0	
480	97	176	07:37:04.266	41VB3H	40T1P		2 PCT Heater 1 ON (primary relay)	4R3	4	0	4,014,653:08:0	
481	97	176	07:37:14.266	41VB3I	40T2		1 PCT Heater 2 ON	4R3	4	0	4,014,653:23:0	
482	97	176	07:37:24.266	41VB3J	40T2		2 PCT Heater 2 ON	4R3	4	0	4,014,653:38:0	
483	97	176	07:45:02.266	490UA412A4B	7MODE	INT	AACS INERTIAL MODE	4R3	4	0	4,014,660:88:0	
484	97	176	07:50:00.266	490UA412A4D	7SAFE	UNSTOW	SIP TO 153 deg cone	4R3	4	0	4,014,665:80:0	
485	97	176	07:54:10.266	490UA412A4E	7VECT		Inert vect update UTC	4R3	4	0	4,014,670:00:0	
486	97	176	07:54:14.266	490UA412A4F	7TURN	2,RTH	ALERT Thruster	4R3	4	0	4,014,670:06:0	
487	97	176	07:58:02.266	490UA412A406A4A	7VECT		Inert vect update UTC	4R3	4	0	4,014,673:75:0	
488	97	176	07:58:04.266	490UA412A406A4B	7STAR	1,3000,95,710999	Star catalog update	4R3	4	0	4,014,673:78:0	
489	97	176	07:58:06.266	490UA412A406A4C	7STAR	2,464,80,782,28,	Star catalog update	4R3	4	0	4,014,673:81:0	
490	97	176	07:58:08.266	490UA412A406A4D	7STAR	3,159,27,239,89,	Star catalog update	4R3	4	0	4,014,673:84:0	
491	97	176	07:58:10.266	490UA412A406A4E	7STAR	4,0,0,0,0,0	Star catalog update	4R3	4	0	4,014,673:87:0	
492	97	176	07:58:12.266	490UA412A406A4F	7STAR	5,0,0,0,0,0	Star catalog update	4R3	4	0	4,014,673:90:0	
493	97	176	07:58:14.266	490UA412A406A4G	7STAR	6,0,0,0,0,0	Star catalog update	4R3	4	0	4,014,674:02:0	

Line	YR	DOY	SCET - GMT	PSID	Command	Parameters	Description	GCM	GO	GS	RIM	MFI
494	97	176	08:01:47.600	488N6A	6TMSED	NORM,EH2	Sci, Eng, and D/L Chan	4R3	4	0	4,014,677:49:0	
495	97	176	08:35:51.600	488N6B	6TMSED	NORM,EH3	Sci, Eng, and D/L Chan	4R3	4	0	4,014,711:21:0	
496	97	176	09:22:59.600	432PB431A6A	6RCDSL	DDSNCG,PLSNCG,EP	Record Deselect (DDS o	4R3	4	0	4,014,757:77:0	
497	97	176	09:23:00.266	432PB6A	6RTSL1		R/T Select of DDS, and	4R3	4	0	4,014,757:78:0	
498	97	176	09:40:00.266	41WC99A	6TMSED	POWER	Change to Data Taking Mode	4R3	4	0	4,014,774:61:0	
499	97	176	09:40:00.266	488N6C	6TMSED	NORM,EL3	Sci, Eng, and D/L Chan	4R3	4	0	4,014,774:61:0	
500	97	176	09:40:04.266	41WC3A	40T1PR		1 PCT Heater 1 OFF (primary relay)	4R3	4	0	4,014,774:67:0	
501	97	176	09:40:14.266	41WC3B	40T1PR		2 PCT Heater 1 OFF (primary relay)	4R3	4	0	4,014,774:82:0	
502	97	176	09:40:24.266	41WC3C	40T2R		1 PCT Heater 2 OFF	4R3	4	0	4,014,775:06:0	
503	97	176	09:40:34.266	41WC3D	40T2R		2 PCT Heater 2 OFF	4R3	4	0	4,014,775:21:0	
504	97	176	09:49:25.600	165GK4A	7SCAN	NORM,208.877998,	Check S/P Position	4R3	4	0	4,014,783:90:0	
505	97	176	09:53:19.600	117GK	CSMOS	GS	***** GROUP START CSMOS	4R3	4	0	4,014,787:77:0	
506	97	176	09:53:28.933	176GK6A	6TMREC	BPT	7.68 KBPS PPR BURST TO TAPE Record Mode C	4R3	4	0	4,014,788:00:0	
507	97	176	09:53:28.933	117GK105A106A4A	7STRP	0.0,-0.024008,0,	Slew = 0.28	4R3	4	0	4,014,788:00:0	
508	97	176	09:57:22.266	117GK105A106A4B	7STRP	0.00050,0.024008,	Slew = 12.01	4R3	4	0	4,014,791:77:0	
509	97	176	09:57:33.600	117GK105A106A4C	7STRP	0.0,-0.024008,0,	Slew = 0.28	4R3	4	0	4,014,792:03:0	
510	97	176	10:01:26.933	117GK105A106A4D	7STRP	0.00050,0.024008,	Slew = 12.01	4R3	4	0	4,014,795:80:0	
511	97	176	10:01:38.266	117GK105A106A4E	7STRP	0.0,-0.024008,0,	Slew = 0.28	4R3	4	0	4,014,796:06:0	
512	97	176	10:05:31.600	117GK105A106A4F	7STRP	0.00050,0.024008,	Slew = 12.01	4R3	4	0	4,014,799:83:0	
513	97	176	10:05:42.933	117GK105A106A4G	7STRP	0.0,-0.024008,0,	Slew = 0.28	4R3	4	0	4,014,800:09:0	
514	97	176	10:09:36.266	117GK105A106A4H	7STRP	0.00050,0.024008,	Slew = 12.01	4R3	4	0	4,014,803:86:0	
515	97	176	10:09:47.600	117GK105A106A4I	7STRP	0.0,-0.024008,0,	Slew = 0.28	4R3	4	0	4,014,804:12:0	
516	97	176	10:10:41.600	50ZZ6XX	6DMSC	R7,0	DMS Control Tape runup 7.68kps	4R3	4	0	4,014,805:02:0	
517	97	176	10:10:41.600		DMS:	: *US-RUNUP	P7, TRACK *1, *FWD, TIC 473.38 +/-	4R3	4	0	4,014,805:02:0	
518	97	176	10:10:43.000		DMS:	: *US AT SP	P7, TRACK 1, FWD, TIC * 473.49 +/-	4R3	4	0	4,014,805:04:1	
519	97	176	10:10:48.266		DMS:	: *US_RD	P7, TRACK 1, FWD, TIC * 474.73 +/-	4R3	4	0	4,014,805:12:0	
520	97	176	10:10:49.466		DMS:	: *RUNUP	R7, TRACK *4, *REV, TIC * 474.79 +/-	4R3	4	0	4,014,805:13:8	
521	97	176	10:10:50.866		DMS:	: *AT SPD	R7, TRACK 4, REV, TIC * 474.67 +/-	4R3	4	0	4,014,805:15:9	
522	97	176	10:11:16.933		DMS:	: *RECORD	R7, TRACK 4, REV, TIC * 468.56 +/-	4R3	4	0	4,014,805:55:0	
523	97	176	10:11:39.600		DMS:	: *RUNDOWN	R7, TRACK 4, REV, TIC * 463.25 +/-	4R3	4	0	4,014,805:89:0	
524	97	176	10:11:39.600	50ZZ6RE	6DMSC	RDY,0	DMS Control Tape stop	4R3	4	0	4,014,805:89:0	
525	97	176	10:11:40.800		DMS:	: *READY	RDY, TRACK 4, REV, TIC * 463.19 +/-	4R3	4	0	4,014,805:90:8	
526	97	176	10:13:40.933	117GK105A106A4J	7STRP	0.00050,0.024008,	Slew = 12.01	4R3	4	0	4,014,807:89:0	
527	97	176	10:13:52.266	117GK105A106A4K	7STRP	0.0,-0.024008,0,	Slew = 0.28	4R3	4	0	4,014,808:15:0	
528	97	176	10:17:45.600	117GK105A106A4L	7STRP	0.00050,0.024008,	Slew = 12.01	4R3	4	0	4,014,812:01:0	
529	97	176	10:17:56.933	117GK105A106A4M	7STRP	0.0,-0.024008,0,	Slew = 0.28	4R3	4	0	4,014,812:18:0	
530	97	176	10:21:50.266	117GK105A106A4N	7STRP	0.00050,0.024008,	Slew = 12.01	4R3	4	0	4,014,816:04:0	
531	97	176	10:22:01.600	117GK105A106A4O	7STRP	0.0,-0.024008,0,	Slew = 0.28	4R3	4	0	4,014,816:21:0	
532	97	176	10:25:54.933	117GK105A106A4P	7STRP	0.00050,0.024008,	Slew = 12.01	4R3	4	0	4,014,820:07:0	
533	97	176	10:26:06.266	117GK105A106A4Q	7STRP	0.0,-0.024008,0,	Slew = 0.28	4R3	4	0	4,014,820:24:0	
534	97	176	10:28:32.933		DMS:	: *US-RUNUP	P7, TRACK *1, *FWD, TIC 463.19 +/-	4R3	4	0	4,014,822:62:0	
535	97	176	10:28:32.933	50ZZ6XX	6DMSC	R7,0	DMS Control Tape runup 7.68kps	4R3	4	0	4,014,822:62:0	
536	97	176	10:28:34.333		DMS:	: *US AT SP	P7, TRACK 1, FWD, TIC * 463.31 +/-	4R3	4	0	4,014,822:64:1	
537	97	176	10:28:39.600		DMS:	: *US_RD	P7, TRACK 1, FWD, TIC * 464.54 +/-	4R3	4	0	4,014,822:72:0	
538	97	176	10:28:40.800		DMS:	: *RUNUP	R7, TRACK *4, *REV, TIC * 464.60 +/-	4R3	4	0	4,014,822:73:8	
539	97	176	10:28:42.200		DMS:	: *AT SPD	R7, TRACK 4, REV, TIC * 464.48 +/-	4R3	4	0	4,014,822:75:9	
540	97	176	10:29:07.600		DMS:	: *RECORD	R7, TRACK 4, REV, TIC * 458.53 +/-	4R3	4	0	4,014,823:23:0	
541	97	176	10:29:30.266	50ZZ6RD	6DMSC	RDY,0	DMS Control Tape stop	4R3	4	0	4,014,823:57:0	
542	97	176	10:29:30.266		DMS:	: *RUNDOWN	R7, TRACK 4, REV, TIC * 453.22 +/-	4R3	4	0	4,014,823:57:0	
543	97	176	10:29:31.466		DMS:	: *READY	RDY, TRACK 4, REV, TIC * 453.16 +/-	4R3	4	0	4,014,823:58:8	
544	97	176	10:29:59.600	117GK105A106A4R	7STRP	0.00050,0.024008,	Slew = 12.01	4R3	4	0	4,014,824:10:0	
545	97	176	10:30:10.933	117GK105A106A4S	7STRP	0.0,-0.024008,0,	Slew = 0.28	4R3	4	0	4,014,824:27:0	
546	97	176	10:34:04.266	117GK105A106A4T	7STRP	0.00050,0.024008,	Slew = 12.01	4R3	4	0	4,014,828:13:0	
547	97	176	10:34:15.600	117GK105A106A4U	7STRP	0.0,-0.024008,0,	Slew = 0.28	4R3	4	0	4,014,828:30:0	
548	97	176	10:38:08.933	117GK105A106A4V	7STRP	0.00050,0.024008,	Slew = 12.01	4R3	4	0	4,014,832:16:0	

Line	YR	DOY	SCET - GMT	PSID	Command	Parameters	Description	GCM	GO	GS	RIM	MFI
549	97	176	10:38:20.266	117GK105A106A4W	7STRP	0.0.-0.024008.0,	Slew = 0.28	4R3	4	0	4,014,832:33.0	
550	97	176	10:42:13.600	117GK105A106A4X	7STRP	0.0005.0.024008,	Slew = 12.01	4R3	4	0	4,014,836:19.0	
551	97	176	10:42:24.933	117GK105A106A4Y	7STRP	0.0.-0.024008.0,	Slew = 0.28	4R3	4	0	4,014,836:36.0	
552	97	176	10:46:18.266	117GK105A106A4Z	7STRP	0.0005.0.024008,	Slew = 12.01	4R3	4	0	4,014,840:22.0	
553	97	176	10:46:24.266	50ZZ6XX	DMS:	:*US-RUNUP	P7, TRACK *1, *FWD, TIC 453.16 +/-	4R3	4	0	4,014,840:31.0	
554	97	176	10:46:24.266	50ZZ6XX	6DMSC	:*US-AT SP	DMS Control Tape runup 7.68kps	4R3	4	0	4,014,840:31.0	
555	97	176	10:46:25.666	117GK105A106A4AA	7STRP	0.0.-0.024008.0,	Slew = 0.28	4R3	4	0	4,014,840:33.1	
556	97	176	10:46:29.600	117GK105A106A4AB	DMS:	:*US-AT SP	P7, TRACK 1, FWD, TIC * 454.51 +/-	4R3	4	0	4,014,840:39.0	
557	97	176	10:46:30.933	117GK105A106A4AC	DMS:	:*US-AT SP	R7, TRACK *4, *REV, TIC * 454.57 +/-	4R3	4	0	4,014,840:41.0	
558	97	176	10:46:32.133	117GK105A106A4AD	DMS:	:*AT-SPD	R7, TRACK 4, REV, TIC * 454.45 +/-	4R3	4	0	4,014,840:42.8	
559	97	176	10:46:33.533	117GK105A106A4AE	DMS:	:*RECORD	R7, TRACK 4, REV, TIC * 448.50 +/-	4R3	4	0	4,014,840:44.9	
560	97	176	10:46:58.933	117GK105A106A4AF	DMS:	:*RECORD	R7, TRACK 4, REV, TIC * 443.18 +/-	4R3	4	0	4,014,840:83.0	
561	97	176	10:47:21.600	50ZZ6RE	6DMSC	:*RECORD	DMS Control Tape stop	4R3	4	0	4,014,841:26.0	
562	97	176	10:47:21.600	50ZZ6RE	DMS:	:*READY	RDY, TRACK 4, REV, TIC * 443.13 +/-	4R3	4	0	4,014,841:27.8	
563	97	176	10:47:22.800	117GK105A106A4AB	7STRP	0.0005.0.024008,	Slew = 12.01	4R3	4	0	4,014,844:25.0	
564	97	176	10:50:22.933	117GK105A106A4AC	7STRP	0.0.-0.024008.0,	Slew = 0.28	4R3	4	0	4,014,844:42.0	
565	97	176	10:50:34.266	117GK105A106A4AD	7STRP	0.0005.0.024008,	Slew = 12.01	4R3	4	0	4,014,848:28.0	
566	97	176	10:54:27.600	117GK105A106A4AE	7STRP	0.0.-0.024008.0,	Slew = 0.28	4R3	4	0	4,014,848:45.0	
567	97	176	10:54:38.933	117GK105A106A4AF	7STRP	0.0005.0.024008,	Slew = 12.01	4R3	4	0	4,014,852:31.0	
568	97	176	10:58:32.266	117GK105A106A4AG	7STRP	0.0.-0.024008.0,	Slew = 0.28	4R3	4	0	4,014,852:48.0	
569	97	176	11:02:36.933	176GK6B	6TMREC	NRC	NO RECORD Record Mode Change	4R3	4	0	4,014,856:34.0	
571	97	176	11:02:36.933	117GK11A	CSMOS	GE	**** GROUP END CSMOS	4R3	4	0	4,014,856:34.0	
572	97	176	11:02:38.933	50ZZ6XX	6DMSC	R7.0	DMS Control Tape runup 7.68kps	4R3	4	0	4,014,856:37.0	
573	97	176	11:02:38.933	50ZZ6XX	DMS:	:*US-RUNUP	P7, TRACK *1, *FWD, TIC 443.13 +/-	4R3	4	0	4,014,856:37.0	
574	97	176	11:02:40.333	50ZZ6XX	DMS:	:*US-AT SP	P7, TRACK 1, FWD, TIC * 443.24 +/-	4R3	4	0	4,014,856:39.1	
575	97	176	11:02:45.600	50ZZ6XX	DMS:	:*US-AT SP	P7, TRACK 1, FWD, TIC * 444.48 +/-	4R3	4	0	4,014,856:47.0	
576	97	176	11:02:46.800	50ZZ6XX	DMS:	:*US-AT SP	P7, TRACK *4, *REV, TIC * 444.54 +/-	4R3	4	0	4,014,856:48.8	
577	97	176	11:02:48.200	50ZZ6XX	DMS:	:*AT-SPD	R7, TRACK 4, REV, TIC * 444.42 +/-	4R3	4	0	4,014,856:50.9	
578	97	176	11:02:48.933	50ZZ6XX	DMS:	:*RECORD	R7, TRACK 4, REV, TIC * 444.25 +/-	4R3	4	0	4,014,856:52.0	
579	97	176	11:03:09.600	50ZZ6RD	DMS:	:*RECORD	R7, TRACK 4, REV, TIC * 439.40 +/-	4R3	4	0	4,014,856:83.0	
580	97	176	11:03:09.600	50ZZ6RD	6DMSC	RDY.0	DMS Control Tape stop	4R3	4	0	4,014,856:83.0	
581	97	176	11:03:10.800	50ZZ6RD	DMS:	:*READY	RDY, TRACK 4, REV, TIC * 439.34 +/-	4R3	4	0	4,014,856:84.8	
582	97	176	11:15:00.266	488N6D	6TMSED	NORM,FL3	Sci, Eng, and D/L Chan	4R3	4	0	4,014,868:57.0	
583	97	176	11:15:51.600	488N6E	6TMSED	NORM,FL5	Sci, Eng, and D/L Chan	4R3	4	0	4,014,869:43.0	
584	97	176	11:30:32.933	411AA6A	6DMSC	R7.0	DMS Control Tape runup 7.68kps	4R3	4	0	4,014,884:00.0	
585	97	176	11:30:32.933	411AA6A	DMS:	:*US-RUNUP	P7, TRACK *1, *FWD, TIC 439.34 +/-	4R3	4	0	4,014,884:00.0	
586	97	176	11:30:34.333	411AA6B	DMS:	:*US-AT SP	P7, TRACK 1, FWD, TIC * 439.46 +/-	4R3	4	0	4,014,884:02.1	
587	97	176	11:30:39.600	411AA6C	DMS:	:*US-AT SP	P7, TRACK 1, FWD, TIC * 440.70 +/-	4R3	4	0	4,014,884:10.0	
588	97	176	11:30:40.800	411AA6D	DMS:	:*US-AT SP	P7, TRACK *4, *REV, TIC * 440.76 +/-	4R3	4	0	4,014,884:11.8	
589	97	176	11:30:42.200	411AA6E	DMS:	:*AT-SPD	R7, TRACK 4, REV, TIC 440.64 +/-	4R3	4	0	4,014,884:13.9	
590	97	176	11:30:42.200	411AA6F	DMS:	:*RECORD	R7, TRACK 4, REV, TIC * 440.64 +/-	4R3	4	0	4,014,884:13.9	
591	97	176	11:30:42.933	411AA6B	6TMREC	BDT	7.68 KBPS BUFFER DUMP TO TAPE Record Mode	4R3	4	0	4,014,884:15.0	
592	97	176	11:32:44.266	411AA6C	6TMREC	NRC	NO RECORD Record Mode Change	4R3	4	0	4,014,886:15.0	
593	97	176	11:32:46.933	175TD176A6A	6TMREC	LPW	7.68 KBPS LOW RATE SCI PWS RECORD Record	4R3	4	0	4,014,886:19.0	
594	97	176	11:32:47.600	175TD422A6A	6DMSC	R7.0	DMS Control Tape runup 7.68kps	4R3	4	0	4,014,886:20.0	
595	97	176	11:32:54.266	175TD422A6B	6DMSC	RDY.0	DMS Control Tape stop	4R3	4	0	4,014,886:30.0	
596	97	176	11:32:54.266	175TD422A6B	DMS:	:*RECORD	R7, TRACK 4, REV, TIC * 409.68 +/-	4R3	4	0	4,014,886:30.0	
597	97	176	11:32:55.466	175TD422A6B	DMS:	:*READY	RDY, TRACK 4, REV, TIC * 409.63 +/-	4R3	4	0	4,014,886:31.8	
598	97	176	11:41:39.600	165GC4A	7CSAN	NORM:218.706999,	Check S/P Position	4R3	4	0	4,014,894:90.0	
599	97	176	11:42:31.600	117GC	CSMOS	GS	**** GROUP START CSMOS	4R3	4	0	4,014,895:77.0	
600	97	176	11:42:39.600	165GC4B	7VECT		Inert vect update UTC	4R3	4	0	4,014,895:89.0	
601	97	176	11:42:40.933	176GC6A	6TMREC	BPT	7.68 KBPS PPR BURST TO TAPE Record Mode C	4R3	4	0	4,014,896:00.0	
602	97	176	11:42:40.933	117GC105A106A4A	7STRP	0.048037,0.0018,	Slew = 0.61	4R3	4	0	4,014,896:00.0	
603	97	176	11:44:04.266	117GC105A106A4B	7STRP	-0.048137,0.0005	Slew = 12.01	4R3	4	0	4,014,897:34.0	

Line	YR	DOY	SCET - GMT	PSID	Command	Parameters	Description	GCM	GO	GS	RIM	MFI
604	97	176	11:44:12.933	117GC105A106A4C	7STRP	0.048037,0.0018,	Slew = 0.61	4R3	4	0	4,014,897.470	
605	97	176	11:45:36.266	117GC105A106A4D	7STRP	-0.048137,0.0005	Slew = 12.01	4R3	4	0	4,014,898.810	
606	97	176	11:45:44.933	117GC105A106A4E	7STRP	0.048037,0.0018,	Slew = 0.61	4R3	4	0	4,014,899.030	
607	97	176	11:47:08.266	117GC105A106A4F	7STRP	-0.048137,0.0005	Slew = 12.01	4R3	4	0	4,014,900.370	
608	97	176	11:47:16.933	117GC105A106A4G	7STRP	0.048037,0.0018,	Slew = 0.61	4R3	4	0	4,014,901.500	
609	97	176	11:48:40.266	117GC105A106A4H	7STRP	-0.048137,0.0005	Slew = 12.01	4R3	4	0	4,014,901.840	
610	97	176	11:48:48.933	117GC105A106A4I	7STRP	0.048037,0.0018,	Slew = 0.61	4R3	4	0	4,014,902.060	
611	97	176	11:50:12.266	117GC105A106A4J	7STRP	-0.048137,0.0005	Slew = 12.01	4R3	4	0	4,014,903.400	
612	97	176	11:50:20.933	117GC105A106A4K	7STRP	0.048037,0.0018,	Slew = 0.61	4R3	4	0	4,014,903.530	
613	97	176	11:51:44.266	117GC105A106A4L	7STRP	-0.048137,0.0005	Slew = 12.01	4R3	4	0	4,014,904.870	
614	97	176	11:51:52.933	117GC105A106A4M	7STRP	0.048037,0.0018,	Slew = 0.61	4R3	4	0	4,014,905.090	
615	97	176	11:53:16.266	117GC105A106A4N	7STRP	-0.048137,0.0005	Slew = 12.01	4R3	4	0	4,014,906.430	
616	97	176	11:53:24.933	117GC105A106A4O	7STRP	0.048037,0.0018,	Slew = 0.61	4R3	4	0	4,014,906.560	
617	97	176	11:54:48.266	117GC105A106A4P	7STRP	-0.048137,0.0005	Slew = 12.01	4R3	4	0	4,014,907.900	
618	97	176	11:54:56.933	117GC105A106A4Q	7STRP	0.048037,0.0018,	Slew = 0.61	4R3	4	0	4,014,908.120	
619	97	176	11:56:20.266	117GC105A106A4R	7STRP	-0.048137,0.0005	Slew = 12.01	4R3	4	0	4,014,909.460	
620	97	176	11:56:28.933	117GC105A106A4S	7STRP	0.048037,0.0018,	Slew = 0.61	4R3	4	0	4,014,909.590	
621	97	176	11:57:52.266	117GC105A106A4T	7STRP	-0.048137,0.0005	Slew = 12.01	4R3	4	0	4,014,911.020	
622	97	176	11:58:00.933	117GC105A106A4U	7STRP	0.048037,0.0018,	Slew = 0.61	4R3	4	0	4,014,911.150	
623	97	176	11:59:24.266	117GC105A106A4V	7STRP	-0.048137,0.0005	Slew = 12.01	4R3	4	0	4,014,912.490	
624	97	176	11:59:32.933	117GC105A106A4W	7STRP	0.048037,0.0018,	Slew = 0.61	4R3	4	0	4,014,912.620	
625	97	176	11:59:53.600		DMS: : *US-RUNUP		P7, TRACK *1, *FWD, TIC 409.63 +/-	4R3	4	0	4,014,913.020	
626	97	176	11:59:53.600	50ZZ6XX	6DMSC	R7,0	DMS Control Tape runup 7.68kps	4R3	4	0	4,014,913.020	
627	97	176	11:59:55.000		DMS: : *US AT SP		P7, TRACK 1, FWD, TIC * 409.74 +/-	4R3	4	0	4,014,913.041	
628	97	176	12:00:00.266		DMS: : *US RD		P7, TRACK 1, FWD, TIC * 410.98 +/-	4R3	4	0	4,014,913.120	
629	97	176	12:00:01.466		DMS: : *RUNUP		R7, TRACK *4, *REV, TIC * 411.04 +/-	4R3	4	0	4,014,913.138	
630	97	176	12:00:02.866		DMS: : *AT SPD		R7, TRACK 4, REV, TIC * 410.92 +/-	4R3	4	0	4,014,913.159	
631	97	176	12:00:28.933		DMS: : *RECORD		R7, TRACK 4, REV, TIC * 404.81 +/-	4R3	4	0	4,014,913.550	
632	97	176	12:00:51.600	50ZZ6RE	6DMSC	RDY,0	DMS Control Tape stop	4R3	4	0	4,014,913.890	
633	97	176	12:00:51.600		DMS: : *RUNDOWN		R7, TRACK 4, REV, TIC * 399.50 +/-	4R3	4	0	4,014,913.890	
634	97	176	12:00:52.800		DMS: : *READY		RDY, TRACK 4, REV, TIC * 399.44 +/-	4R3	4	0	4,014,913.908	
635	97	176	12:00:56.266		7STRP	-0.048137,0.0005	Slew = 12.01	4R3	4	0	4,014,914.050	
636	97	176	12:01:04.933	117GC105A106A4Y	7STRP	0.048037,0.0018,	Slew = 0.61	4R3	4	0	4,014,914.180	
637	97	176	12:02:28.266	117GC105A106A4Z	7STRP	-0.048137,0.0005	Slew = 12.01	4R3	4	0	4,014,915.520	
638	97	176	12:02:36.933	117GC105A106A4A	7STRP	0.048037,0.0018,	Slew = 0.61	4R3	4	0	4,014,915.650	
639	97	176	12:04:00.266	117GC105A106A4AB	7STRP	-0.048137,0.0005	Slew = 12.01	4R3	4	0	4,014,917.080	
640	97	176	12:04:08.933	117GC105A106A4AC	7STRP	0.048037,0.0018,	Slew = 0.61	4R3	4	0	4,014,917.210	
641	97	176	12:05:32.266	117GC105A106A4AD	7STRP	-0.048137,0.0005	Slew = 12.01	4R3	4	0	4,014,918.550	
642	97	176	12:05:40.933	117GC105A106A4AE	7STRP	0.048037,0.0018,	Slew = 0.61	4R3	4	0	4,014,918.680	
643	97	176	12:07:04.266	117GC105A106A4AF	7STRP	-0.048137,0.0005	Slew = 12.01	4R3	4	0	4,014,920.110	
644	97	176	12:07:12.933	117GC105A106A4AG	7STRP	0.048037,0.0018,	Slew = 0.61	4R3	4	0	4,014,920.240	
645	97	176	12:08:36.266	117GC105A106A4AH	7STRP	-0.048137,0.0005	Slew = 12.01	4R3	4	0	4,014,921.580	
646	97	176	12:08:44.933	117GC105A106A4AI	7STRP	0.048037,0.0018,	Slew = 0.61	4R3	4	0	4,014,921.710	
647	97	176	12:10:08.266	117GC105A106A4AJ	7STRP	-0.048137,0.0005	Slew = 12.01	4R3	4	0	4,014,923.140	
648	97	176	12:10:16.933	117GC105A106A4AK	7STRP	0.048037,0.0018,	Slew = 0.61	4R3	4	0	4,014,923.270	
649	97	176	12:10:32.266	48806A	6TMSED	FILL,FL5	Sci, Eng, and D/L Chan	4R3	4	0	4,014,923.500	
650	97	176	12:11:40.266	117GC105A106A4AL	7STRP	-0.048137,0.0005	Slew = 12.01	4R3	4	0	4,014,924.610	
651	97	176	12:11:48.933	117GC105A106A4AM	7STRP	0.048037,0.0018,	Slew = 0.61	4R3	4	0	4,014,924.740	
652	97	176	12:13:12.266	117GC105A106A4AN	7STRP	-0.048137,0.0005	Slew = 12.01	4R3	4	0	4,014,926.170	
653	97	176	12:13:20.933	117GC105A106A4AO	7STRP	0.048037,0.0018,	Slew = 0.61	4R3	4	0	4,014,926.300	
654	97	176	12:14:44.266	117GC105A106A4AP	7STRP	-0.048137,0.0005	Slew = 12.01	4R3	4	0	4,014,927.640	
655	97	176	12:14:52.933	117GC105A106A4AQ	7STRP	0.048037,0.0018,	Slew = 0.61	4R3	4	0	4,014,927.770	
656	97	176	12:16:16.266	117GC105A106A4AR	7STRP	-0.048137,0.0005	Slew = 12.01	4R3	4	0	4,014,929.200	
657	97	176	12:16:24.933	117GC105A106A4AS	7STRP	0.048037,0.0018,	Slew = 0.61	4R3	4	0	4,014,929.330	
658	97	176	12:17:44.933	50ZZ6XX	6DMSC	R7,0	DMS Control Tape runup 7.68kps	4R3	4	0	4,014,930.620	

Line	YR	DOY	SCET - GMT	PSID	Command	Parameters	Description	GCM	GO	GS	RIM	MFI
659	97	176	12:17:44.933		DMS:	: *US-RUNUP	P7, TRACK *1, *FWD, TIC 399.44 +/-	4R3	4	0	4,014,930:62.0	
660	97	176	12:17:46.333		DMS:	: *US_AT SP	P7, TRACK 1, FWD, TIC * 399.56 +/-	4R3	4	0	4,014,930:64.1	
661	97	176	12:17:48.266	117GC105A106A4AT	7STRP	-0.048137,0.0005	Slew =12.01	4R3	4	0	4,014,930:67.0	
662	97	176	12:17:51.600		DMS:	: *US_RD	P7, TRACK 1, FWD, TIC * 400.79 +/-	4R3	4	0	4,014,930:72.0	
663	97	176	12:17:52.800		DMS:	: *RUNUP	R7, TRACK *4, *REV, TIC * 400.85 +/-	4R3	4	0	4,014,930:73.8	
664	97	176	12:17:54.200		DMS:	: *AT_SPD	R7, TRACK 4, REV, TIC * 400.73 +/-	4R3	4	0	4,014,930:75.9	
665	97	176	12:17:56.933	117GC105A106A4AU	7STRP	0.048037,0.0018,	Slew = 0.61	4R3	4	0	4,014,930:80.0	
666	97	176	12:18:19.600		DMS:	: *RECORD	R7, TRACK 4, REV, TIC * 394.78 +/-	4R3	4	0	4,014,931:23.0	
667	97	176	12:18:42.266		DMS:	: *RUNDOWN	R7, TRACK 4, REV, TIC * 389.47 +/-	4R3	4	0	4,014,931:57.0	
668	97	176	12:18:42.266	50ZZ6RD	6DMSC	RDY,0	DMS Control Tape stop	4R3	4	0	4,014,931:57.0	
669	97	176	12:18:43.466		DMS:	: *READY	RDY, TRACK 4, REV, TIC * 389.41 +/-	4R3	4	0	4,014,931:58.8	
670	97	176	12:19:20.266	117GC105A106A4AV	7STRP	-0.048137,0.0005	Slew =12.01	4R3	4	0	4,014,932:23.0	
671	97	176	12:19:28.933	117GC105A106A4AW	7STRP	0.048037,0.0018,	Slew =0.61	4R3	4	0	4,014,932:36.0	
672	97	176	12:20:52.266	117GC105A106A4AX	7STRP	-0.048137,0.0005	Slew =12.01	4R3	4	0	4,014,933:70.0	
673	97	176	12:21:00.933	117GC105A106A4AY	7STRP	0.048037,0.0018,	Slew =0.61	4R3	4	0	4,014,933:83.0	
674	97	176	12:22:24.266	117GC105A106A4AZ	7STRP	-0.048137,0.0005	Slew =12.01	4R3	4	0	4,014,935:26.0	
675	97	176	12:22:32.933	117GC105A106A4BA	7STRP	0.048037,0.0018,	Slew =0.61	4R3	4	0	4,014,935:39.0	
676	97	176	12:23:56.266	117GC105A106A4BB	7STRP	-0.048137,0.0005	Slew =12.01	4R3	4	0	4,014,936:73.0	
677	97	176	12:24:04.933	117GC105A106A4BC	7STRP	0.048037,0.0018,	Slew =0.61	4R3	4	0	4,014,936:86.0	
678	97	176	12:25:28.266	117GC105A106A4BD	7STRP	-0.048137,0.0005	Slew =12.01	4R3	4	0	4,014,938:29.0	
679	97	176	12:25:36.933	117GC105A106A4BE	7STRP	0.048037,0.0018,	Slew =0.61	4R3	4	0	4,014,938:42.0	
680	97	176	12:27:00.266	117GC105A106A4BF	7STRP	-0.048137,0.0005	Slew =12.01	4R3	4	0	4,014,939:76.0	
681	97	176	12:27:08.933	117GC105A106A4BG	7STRP	0.048037,0.0018,	Slew =0.61	4R3	4	0	4,014,939:89.0	
682	97	176	12:28:32.266	117GC105A106A4BH	7STRP	-0.048137,0.0005	Slew =12.01	4R3	4	0	4,014,941:32.0	
683	97	176	12:28:40.933	117GC105A106A4BI	7STRP	0.048037,0.0018,	Slew =0.61	4R3	4	0	4,014,941:45.0	
684	97	176	12:30:04.266	117GC105A106A4BJ	7STRP	-0.048137,0.0005	Slew =12.01	4R3	4	0	4,014,942:79.0	
685	97	176	12:30:12.933	117GC105A106A4BK	7STRP	0.048037,0.0018,	Slew =0.61	4R3	4	0	4,014,943:01.0	
686	97	176	12:31:36.266	117GC105A106A4BL	7STRP	-0.048137,0.0005	Slew =12.01	4R3	4	0	4,014,944:35.0	
687	97	176	12:31:44.933	117GC105A106A4BM	7STRP	0.048037,0.0018,	Slew =0.61	4R3	4	0	4,014,944:48.0	
688	97	176	12:33:08.266	117GC105A106A4BN	7STRP	-0.048137,0.0005	Slew =12.01	4R3	4	0	4,014,945:82.0	
689	97	176	12:33:16.933	117GC105A106A4BO	7STRP	0.048037,0.0018,	Slew =0.61	4R3	4	0	4,014,946:04.0	
690	97	176	12:34:40.266	117GC105A106A4BP	7STRP	-0.048137,0.0005	Slew =12.01	4R3	4	0	4,014,947:38.0	
691	97	176	12:34:48.933	117GC105A106A4BQ	7STRP	0.048037,0.0018,	Slew =0.61	4R3	4	0	4,014,947:51.0	
692	97	176	12:35:36.266		DMS:	: *US-RUNUP	P7, TRACK *1, *FWD, TIC 389.41 +/-	4R3	4	0	4,014,948:31.0	
693	97	176	12:35:36.266	50ZZ6XX	6DMSC	RDY,0	DMS Control Tape runup 7.68kps	4R3	4	0	4,014,948:31.0	
694	97	176	12:35:37.666		DMS:	: *US_AT SP	P7, TRACK 1, FWD, TIC * 389.53 +/-	4R3	4	0	4,014,948:33.1	
695	97	176	12:35:42.933		DMS:	: *US_RD	P7, TRACK 1, FWD, TIC * 390.76 +/-	4R3	4	0	4,014,948:41.0	
696	97	176	12:35:44.133		DMS:	: *RUNUP	R7, TRACK *4, *REV, TIC * 390.82 +/-	4R3	4	0	4,014,948:42.8	
697	97	176	12:35:45.533		DMS:	: *AT_SPD	R7, TRACK 4, REV, TIC * 390.70 +/-	4R3	4	0	4,014,948:44.9	
698	97	176	12:36:10.933		DMS:	: *RECORD	R7, TRACK 4, REV, TIC * 384.75 +/-	4R3	4	0	4,014,948:83.0	
699	97	176	12:36:12.266	117GC105A106A4BR	7STRP	-0.048137,0.0005	Slew =12.01	4R3	4	0	4,014,948:85.0	
700	97	176	12:36:20.933	117GC105A106A4BS	7STRP	0.048037,0.0018,	Slew =0.61	4R3	4	0	4,014,949:07.0	
701	97	176	12:36:33.600	50ZZ6RE	6DMSC	RDY,0	DMS Control Tape stop	4R3	4	0	4,014,949:26.0	
702	97	176	12:36:33.600		DMS:	: *RUNDOWN	R7, TRACK 4, REV, TIC * 379.43 +/-	4R3	4	0	4,014,949:26.0	
703	97	176	12:36:34.800		DMS:	: *READY	RDY, TRACK 4, REV, TIC * 379.38 +/-	4R3	4	0	4,014,949:27.8	
704	97	176	12:37:44.266	117GC105A106A4BT	7STRP	-0.048137,0.0005	Slew =12.01	4R3	4	0	4,014,950:41.0	
705	97	176	12:37:52.933	117GC105A106A4BU	7STRP	0.048037,0.0018,	Slew =0.61	4R3	4	0	4,014,950:54.0	
706	97	176	12:39:16.266	117GC105A106A4BV	7STRP	-0.048137,0.0005	Slew =12.01	4R3	4	0	4,014,951:88.0	
707	97	176	12:39:24.933	117GC105A106A4BW	7STRP	0.048037,0.0018,	Slew =0.61	4R3	4	0	4,014,952:10.0	
708	97	176	12:40:48.266	117GC105A106A4BX	7STRP	-0.048137,0.0005	Slew =12.01	4R3	4	0	4,014,953:44.0	
709	97	176	12:40:56.933	117GC105A106A4BY	7STRP	0.048037,0.0018,	Slew =0.61	4R3	4	0	4,014,953:57.0	
710	97	176	12:42:20.266	117GC105A106A4BZ	7STRP	-0.048137,0.0005	Slew =12.01	4R3	4	0	4,014,955:00.0	
711	97	176	12:42:28.933	117GC105A106A4CA	7STRP	0.048037,0.0018,	Slew =0.61	4R3	4	0	4,014,955:13.0	
712	97	176	12:43:52.266	117GC11A	CSMOS	GE	***** GROUP END CSMOS	4R3	4	0	4,014,956:47.0	
713	97	176	12:44:38.933	48806B	6TMSD	NORM,FL5	Sci. Eng. and D/L Chan	4R3	4	0	4,014,957:26.0	

Line	YR	DOY	SCET - GMT	PSID	Command	Parameters	Description	GCM	GO	GS	RIM	MFI
714	97	176	12:46:47.600	176GC6B	6TMREC	NRC	NO RECORD Record Mode Change	4R3	4	0	4,014,959:37:0	
715	97	176	12:46:49.600	50ZZ6XX	6DMSC	R7.0	DMS Control Tape runup 7.68kps	4R3	4	0	4,014,959:40:0	
716	97	176	12:46:49.600		DMS:	: *US-RUNUP	P7, TRACK *1, *FWD, TIC 379.38 +/-	4R3	4	0	4,014,959:40:0	
717	97	176	12:46:51.000		DMS:	: *US_AT_SP	P7, TRACK 1, FWD, TIC * 379.49 +/-	4R3	4	0	4,014,959:42:1	
718	97	176	12:46:56.266		DMS:	: *US_RD	P7, TRACK 1, FWD, TIC * 380.73 +/-	4R3	4	0	4,014,959:50:0	
719	97	176	12:46:57.466		DMS:	: *RUNUP	R7, TRACK *4, *REV, TIC * 380.79 +/-	4R3	4	0	4,014,959:51:8	
720	97	176	12:46:58.866		DMS:	: *AT_SPD	R7, TRACK 4, REV, TIC * 380.67 +/-	4R3	4	0	4,014,959:53:9	
721	97	176	12:46:59.600		DMS:	: *RECORD	R7, TRACK 4, REV, TIC * 380.50 +/-	4R3	4	0	4,014,959:55:0	
722	97	176	12:47:16.266		DMS:	: *RUNDOWN	R7, TRACK 4, REV, TIC * 376.59 +/-	4R3	4	0	4,014,959:80:0	
723	97	176	12:47:16.266	50ZZ6RD	6DMSC	RDY.0	DMS Control Tape stop	4R3	4	0	4,014,959:80:0	
724	97	176	12:47:17.466		DMS:	: *READY	RDY, TRACK 4, REV, TIC * 376.53 +/-	4R3	4	0	4,014,959:81:8	
725	97	176	12:49:37.600	488O6C	6TMSED	FILL,FL5	Sci, Eng, and D/L Chan	4R3	4	0	4,014,962:19:0	
726	97	176	13:07:30.266		DMS:	: *DMS-TURN	P7, TRACK 4, REV, TIC 376.53 +/-	4R3	4	0	4,014,979:81:0	
727	97	176	13:07:30.266		DMS:	: *US-RUNUP	P7, TRACK *1, *FWD, TIC 376.53 +/-	4R3	4	0	4,014,979:81:0	
728	97	176	13:07:30.266	465KC6A	6DTRN	CMD,6DTRN,465KC6	DMS TRACK TURNAROUND	4R3	4	0	4,014,979:81:0	
729	97	176	13:07:31.666		DMS:	: *US_AT_SP	P7, TRACK 1, FWD, TIC * 376.65 +/-	4R3	4	0	4,014,979:83:1	
730	97	176	13:07:36.933		DMS:	: *US_RD	P7, TRACK 1, FWD, TIC * 377.89 +/-	4R3	4	0	4,014,980:00:0	
731	97	176	13:07:38.133		DMS:	: *RUNUP	P7, TRACK *4, *REV, TIC * 377.95 +/-	4R3	4	0	4,014,980:01:8	
732	97	176	13:07:39.533		DMS:	: *AT_SPD	P7, TRACK 4, REV, TIC * 377.83 +/-	4R3	4	0	4,014,980:03:9	
733	97	176	13:20:18.733	488O6D	6TMSED	FILL,FL6	Sci, Eng, and D/L Chan	4R3	4	0	4,014,985:47:0	
734	97	176	13:20:18.733		DMS:	: *REVERSE	P7, TRACK 4, REV, TIC * 199.87 +/-	4R3	4	0	4,014,992:50:7	
735	97	176	13:20:19.933		DMS:	: *RUNUP	P7, TRACK 1, FWD, TIC 199.81 +/-	4R3	4	0	4,014,992:52:5	
736	97	176	13:20:19.933		DMS:	: *TURNARND	P7, TRACK *1, *FWD, TIC * 199.81 +/-	4R3	4	0	4,014,992:52:5	
737	97	176	13:20:21.333		DMS:	: *AT_SPD	P7, TRACK 1, FWD, TIC * 199.93 +/-	4R3	4	0	4,014,992:54:6	
738	97	176	13:20:33.333		DMS:	: *AUTOSTOP	P7, TRACK 1, FWD, TIC * 202.06 +/-	4R3	4	0	4,014,992:72:6	
739	97	176	13:20:34.533		DMS:	: *READY	RDY, TRACK 1, FWD, TIC * 202.12 +/-	4R3	4	0	4,014,992:74:4	
740	97	176	13:24:37.600		DMS:	: *E4-DELAY	RDY, TRACK 1, FWD, TIC 202.12 +/-	4R3	4	0	4,014,996:75:0	
741	97	176	13:24:37.600	175TB422A6A	6DMSC	R7,1	DMS Control Tape runup 7.68kbp	4R3	4	0	4,014,996:75:0	
742	97	176	13:24:44.266		DMS:	: *RUNUP	R7, TRACK 1, FWD, TIC 202.12 +/-	4R3	4	0	4,014,996:85:0	
743	97	176	13:24:45.600	175TB176A6A	6TMREC	LPW	7.68 KBPS LOW RATE SCI PWS RECORD Record	4R3	4	0	4,014,996:87:0	
744	97	176	13:24:45.666		DMS:	: *AT_SPD	R7, TRACK 1, FWD, TIC 202.24 +/-	4R3	4	0	4,014,996:87:1	
745	97	176	13:24:45.666		DMS:	: *RECORD	R7, TRACK 1, FWD, TIC * 202.24 +/-	4R3	4	0	4,014,996:87:1	
746	97	176	13:25:46.266	282NA431A6A	6RCSEL	DDSNCG,PLSSEL,EP	Record Select (DDS onl)	4R3	4	0	4,014,997:87:0	
747	97	176	13:25:48.933	4310A6A	6RCSEL	DDSSSEL,PLSNCG,EP	Record Select (DDS onl)	4R3	4	0	4,014,998:00:0	
748	97	176	13:40:58.266	428JA6A	6RCCLR			4R3	4	0	4,015,012:90:0	
749	97	176	13:40:58.933	428JA6B	6RCSET			4R3	4	0	4,015,013:00:0	
750	97	176	13:50:00.266	481UH4A	7VECT		Inert vect update UTC	4R3	4	0	4,015,021:84:0	
751	97	176	13:54:11.600	C9CNANARR 01-		-----START-----		4R3	4	0	:	:
752	97	176	13:55:07.600	165DD4A	7SCAN	NORM,87.919,36.2	Check S/P Position	4R3	4	0	4,015,026:90:0	
753	97	176	13:58:05.600	127DD	NIMSTAB	GS	%%/%/% GROUP START TAB	4R3	4	0	4,015,029:84:0	
754	97	176	13:58:06.266	127DD4A	37ETIB	04,C4,35,FF,FF	Loads wavelength edit table	4R3	4	0	4,015,029:85:0	
755	97	176	13:58:14.266	127DD11A	NIMSTAB	GE	%%/%/% GROUP END TAB	4R3	4	0	4,015,030:06:0	
756	97	176	13:59:01.600	117DD	CSMOS	GS	**** GROUP START CSMOS	4R3	4	0	4,015,030:77:0	
757	97	176	13:59:02.266	175DD422A6A	6DMSC	R28,1	DMS Control	4R3	4	0	4,015,030:78:0	
758	97	176	13:59:02.266		DMS:	: *RUNDOWN	R7, TRACK 1, FWD, TIC * 684.26 +/-	4R3	4	0	4,015,030:78:0	
759	97	176	13:59:03.466		DMS:	: *RUNUP	R28, TRACK 1, FWD, TIC * 684.32 +/-	4R3	4	0	4,015,030:79:8	
760	97	176	13:59:07.466		DMS:	: *RECORD	R28, TRACK 1, FWD, TIC * 685.82 +/-	4R3	4	0	4,015,030:85:8	
761	97	176	13:59:07.466		DMS:	: *AT_SPD	R28, TRACK 1, FWD, TIC 685.82 +/-	4R3	4	0	4,015,030:85:8	
762	97	176	13:59:07.600	175DD176A6A	6TMREC	MPW	28.8 KBPS PWS + NIMS RECORD Record Mode C	4R3	4	0	4,015,030:86:0	
763	97	176	13:59:09.600	165DD4B	7VECT		Inert vect update UTC	4R3	4	0	4,015,030:89:0	
764	97	176	13:59:10.933	117DD105A106A4A	7STRP	-0.021503,0.0,0,	Slew =,0.06	4R3	4	0	4,015,031:00:0	
765	97	176	13:59:10.933	C9CNANARR 01-	NIMPBK	301KA	ANARR CRATER COVERAGE	4R3	4	0	:	:
766	97	176	14:03:12.933	428JB6A	6RCCLR			4R3	4	0	4,015,034:90:0	
767	97	176	14:03:13.600	428JB6B	6RCSET			4R3	4	0	4,015,035:00:0	
768	97	176	14:04:02:933	C9CNANARR 01-	NIMPBK	301FN	ANARR CRATER COVERAGE	4R3	4	0	:	:

Line	YR	DOY	SCET - GMT	PSID	Command	Parameters	Description	GCM	GO	GS	RIM	MFI
769	97	176	14:04:10.933	C9CNANARR 01-	DESEL	300KA	ANARR CRATER COVERAGE	4R3	4	0	:	:
770	97	176	14:05:10.933	117DD105A106A4B	7STRP	0.022204,0.008,0	Slew = 11.2	4R3	4	0	4,015,036:85.0	
771	97	176	14:05:16.266	117DD105A106A4C	7STRP	-0.021503,0.0,0.0,	Slew = 0.06	4R3	4	0	4,015,037:02.0	
772	97	176	14:09:10.933	C9CNANARR 01-	DESEL	300FN	ANARR CRATER COVERAGE	4R3	4	0	:	:
773	97	176	14:09:11.600	175TC422A6A	6DMSC	: *RUNDOWN	R28, TRACK 1, FWD, TIC *1216.80 +/-	4R3	4	0	4,015,040:82.0	
774	97	176	14:09:12.800	175TC422A6A	6DMSC	: *RUNUP	DMS Control Tape runup 7.68kbp	4R3	4	0	4,015,040:82.0	
775	97	176	14:09:14.200	175TC422A6A	6DMSC	: *AT SPD	R7, TRACK 1, FWD, TIC *1217.10 +/-	4R3	4	0	4,015,040:83.8	
776	97	176	14:09:14.200	175TC422A6A	6DMSC	: *RECORD	R7, TRACK 1, FWD, TIC 1217.22 +/-	4R3	4	0	4,015,040:85.9	
777	97	176	14:09:14.200	175TC422A6A	6DMSC	: *RECORD	R7, TRACK 1, FWD, TIC *1217.22 +/-	4R3	4	0	4,015,040:85.9	
778	97	176	14:09:17.600	428JC6A	6TMREC	LPW	7.68 KBPS LOW RATE SCI PWS RECORD Record	4R3	4	0	4,015,040:86.0	
779	97	176	14:09:17.600	117DD11A	CSMOS	GE	**** GROUP END CSMOS	4R3	4	0	4,015,041:00.0	
780	97	176	14:11:16.933	432MA431A6A	6RCDSL	DDDSL,PLSNCG,EP	Record Deselect (DDS o	4R3	4	0	4,015,042:88.0	
781	97	176	14:11:17.600	432MA6A	6RTSL1		R/T Select of DDS and	4R3	4	0	4,015,042:89.0	
782	97	176	14:11:18.266	165CC4A	7SCAN	NORM,71.19,23.67	Check S/P Position	4R3	4	0	4,015,042:90.0	
783	97	176	14:11:20.933	432OA431A6A	6RCDSL	: *RUNDOWN	R7, TRACK 1, FWD, TIC *1246.92 +/-	4R3	4	0	4,015,043:03.0	
784	97	176	14:11:20.933	175TC422A6B	6DMSC	RDY,0	Record Deselect (DDS o	4R3	4	0	4,015,043:03.0	
785	97	176	14:11:20.933	432OA6A	6RTSL1		DMS Control Tape stop	4R3	4	0	4,015,043:03.0	
786	97	176	14:11:21.600	175TC422A6B	6DMSC		R/T Select of DDS and	4R3	4	0	4,015,043:04.0	
787	97	176	14:11:22.133	C9CNANARR 01-	DMS:	: *READY	RDY, TRACK 1, FWD, TIC *1246.98 +/-	4R3	4	0	4,015,043:04.8	
788	97	176	14:12:00.266	117CA	CSMOS	GS	**** STOP-----	4R3	4	0	:	:
789	97	176	14:12:10.266	175CA422A6A	6DMSC	RDY,1	**** GROUP START CSMOS	4R3	4	0	4,015,043:77.0	
790	97	176	14:12:10.933	175CA422A6A	6DMSC		DMS Control Tape runup 7.68kbp	4R3	4	0	4,015,043:78.0	
791	97	176	14:12:10.933	175CA422A6A	6DMSC	: *E4-DELAY	RDY, TRACK 1, FWD, TIC 1246.98 +/-	4R3	4	0	4,015,043:78.0	
792	97	176	14:12:17.600	165CC4B	7VECT		Inert vect update UTC	4R3	4	0	4,015,043:88.0	
793	97	176	14:12:18.266	175CA176A6A	6TMREC	LPW	7.68 KBPS LOW RATE SCI PWS RECORD Record	4R3	4	0	4,015,043:90.0	
794	97	176	14:12:19.000	117CA	CSMOS	GS	**** GROUP START CSMOS	4R3	4	0	4,015,043:90.1	
795	97	176	14:12:19.000	117CA105A106A4A	7STRP	: *RECORD	R7, TRACK 1, FWD, TIC *1247.10 +/-	4R3	4	0	4,015,043:90.1	
796	97	176	14:12:19.000	117CA105A106A4A	7STRP	: *RECORD	R7, TRACK 1, FWD, TIC *1247.10 +/-	4R3	4	0	4,015,043:90.1	
797	97	176	14:12:19.000	117CA105A106A4A	7STRP	: *RECORD	R7, TRACK 1, FWD, TIC *1247.10 +/-	4R3	4	0	4,015,043:90.1	
798	97	176	14:12:19.000	117CA105A106A4A	7STRP	: *RECORD	R7, TRACK 1, FWD, TIC *1247.10 +/-	4R3	4	0	4,015,044:00.0	
799	97	176	14:12:25.600	282NB431A6A	6RCDSL	DDSNCG,PLSDSL,EP	Record Deselect (DDS o	4R3	4	0	4,015,044:00.0	
800	97	176	14:13:14.266	282NB432A431A6A	6RCDSL	DDSNCG,PLSDSL,EP	Record Deselect (DDS o	4R3	4	0	4,015,044:82.0	
801	97	176	14:13:14.933	282NB432A6A	6RTSL1		R/T Select of DDS and	4R3	4	0	4,015,044:83.0	
802	97	176	14:20:15.600	117CA11A	CSMOS	GE	**** GROUP END CSMOS	4R3	4	0	4,015,051:77.0	
803	97	176	14:20:24.933	175CA422A6B	6DMSC	: *RUNDOWN	R7, TRACK 1, FWD, TIC *1360.99 +/-	4R3	4	0	4,015,052:00.0	
804	97	176	14:20:24.933	175CA422A6B	6DMSC	RDY,0	DMS Control Tape stop	4R3	4	0	4,015,052:00.0	
805	97	176	14:20:26.133	165IA4A	7SCAN	: *READY	RDY, TRACK 1, FWD, TIC *1361.05 +/-	4R3	4	0	4,015,052:01.8	
806	97	176	14:20:26.266	165IA4A	7SCAN	NORM,53.378,19.9	Check S/P Position	4R3	4	0	4,015,052:02.0	
807	97	176	14:21:15.600	175IA422A6A	6DMSC	: *E4-DELAY	RDY, TRACK 1, FWD, TIC 1361.05 +/-	4R3	4	0	4,015,052:76.0	
808	97	176	14:21:15.600	175IA422A6A	6DMSC	R806,1	DMS Control	4R3	4	0	4,015,052:76.0	
809	97	176	14:21:22.266	165IA4B	7VECT		R806, TRACK 1, FWD, TIC 1361.05 +/-	4R3	4	0	4,015,052:86.0	
810	97	176	14:21:24.266	175IA176A6A	6TMREC	IM8	Inert vect update UTC	4R3	4	0	4,015,052:89.0	
811	97	176	14:21:26.933	175IA176A6A	6TMREC	IM8	806.4 KBPS IMAGE RECORD Record Mode Chang	4R3	4	0	4,015,053:02.0	
812	97	176	14:21:27.533	175IA176A6A	6TMREC	IM8	R806, TRACK 1, FWD, TIC 1427.05 +/-	4R3	4	0	4,015,053:02.9	
813	97	176	14:21:27.533	175IA176A6A	6TMREC	IM8	R806, TRACK 1, FWD, TIC *1427.05 +/-	4R3	4	0	4,015,053:02.9	
814	97	176	14:21:34.266	175IA422A6B	6DMSC	RDY,0	DMS Control Tape stop	4R3	4	0	4,015,053:13.0	
815	97	176	14:21:34.266	175IA422A6B	6DMSC	: *RUNDOWN	R806, TRACK 1, FWD, TIC *1592.75 +/-	4R3	4	0	4,015,053:13.0	
816	97	176	14:21:37.000	165IB4A	7SCAN	: *READY	RDY, TRACK 1, FWD, TIC *1604.25 +/-	4R3	4	0	4,015,053:17.1	
817	97	176	14:22:25.600	165IB4A	7SCAN	NORM,53.994,19.9	Check S/P Position	4R3	4	0	4,015,053:90.0	
818	97	176	14:23:18.266	175IB422A6A	6DMSC	: *E4-DELAY	RDY, TRACK 1, FWD, TIC 1604.25 +/-	4R3	4	0	4,015,054:78.0	
819	97	176	14:23:18.266	175IB422A6A	6DMSC	R403,1	DMS Control	4R3	4	0	4,015,054:78.0	
820	97	176	14:23:18.933	118IB	SMOS	GS		4R3	4	0	4,015,054:79.0	
821	97	176	14:23:24.933	165IB4B	7VECT		R403, TRACK 1, FWD, TIC 1604.25 +/-	4R3	4	0	4,015,054:88.0	
822	97	176	14:23:25.600	175IB176A6A	6TMREC	IM4	Inert vect update UTC	4R3	4	0	4,015,054:89.0	
823	97	176	14:23:28.266	175IB176A6A	6TMREC	IM4	403.2 KBPS IMAGE RECORD Record Mode Chang	4R3	4	0	4,015,055:02.0	

Line	YR	DOY	SCET - GMT	PSID	Command	Parameters	Description	GCM	GO	GS	RIM	MFI
824	97	176	14:23:28.800		DMS:	:*AT SPD	R403, TRACK 1, FWD, TIC 1627.25 +/-	4R3	4	0	4,015,055:02:8	
825	97	176	14:23:28.800		DMS:	:*RECORD	R403, TRACK 1, FWD, TIC *1627.25 +/-	4R3	4	0	4,015,055:02:8	
826	97	176	14:23:28.933	118B110A111A4A	7STRP	0.00579,0.0,26.0	Slew = 3.01	4R3	4	0	4,015,055:03:0	
827	97	176	14:23:37.600	118B110A111A4B	7STRP	-0.00579,0.0,00725	Slew = 3.01	4R3	4	0	4,015,055:16:0	
828	97	176	14:23:46.266	118B110A111A4C	7STRP	0.00579,0.0,26.0	Slew = 3.01	4R3	4	0	4,015,055:29:0	
829	97	176	14:23:54.933	118B110A111A4D	7STRP	-0.00579,0.0,00725	Slew = 3.01	4R3	4	0	4,015,055:42:0	
830	97	176	14:24:03.600	118B110A111A4E	7STRP	0.00579,0.0,26.0	Slew = 3.01	4R3	4	0	4,015,055:55:0	
831	97	176	14:24:12.266	118B11A	SMOS	GE		4R3	4	0	4,015,055:68:0	
832	97	176	14:24:18.933		DMS:	:*RUNDOWN	R403, TRACK 1, FWD, TIC *2244.13 +/-	4R3	4	0	4,015,055:78:0	
833	97	176	14:24:18.933	175B422A6B	6DMSC	RDY,0	DMS Control Tape stop	4R3	4	0	4,015,055:78:0	
834	97	176	14:24:21.666		DMS:	:*READY	RDY, TRACK 1, FWD, TIC *2248.13 +/-	4R3	4	0	4,015,055:82:1	
835	97	176	14:24:31.600	C9CNSKULD 01-		-----START-----		4R3	4	0	:	:
836	97	176	14:25:27.600	165DE4A	7SCAN	NORM,54.407,22.1	Check S/P Position	4R3	4	0	4,015,056:90:0	
837	97	176	14:28:25.600	127DE	NIMSTAB	GS	%%%%GROUP START TAB	4R3	4	0	4,015,059:84:0	
838	97	176	14:28:26.266	127DE4A	37ETB	07,C7,02.00,F0.0	Loads wavelenght edit table	4R3	4	0	4,015,059:85:0	
839	97	176	14:28:34.266	127DE11A	NIMSTAB	GE	%%%%GROUP END TAB	4R3	4	0	4,015,060:06:0	
840	97	176	14:29:19.600	175DE422A6A	6DMSC	RDY,1	DMS Control Tape runup 7.68kbp	4R3	4	0	4,015,060:74:0	
841	97	176	14:29:19.600		DMS:	:*E4-DELAY	RDY, TRACK 1, FWD, TIC 2248.13 +/-	4R3	4	0	4,015,060:74:0	
842	97	176	14:29:21.600	117DE	CSMOS	GS	***** GROUP START CSMOS	4R3	4	0	4,015,060:77:0	
843	97	176	14:29:26.266		DMS:	:*RUNUP	R7, TRACK 1, FWD, TIC 2248.13 +/-	4R3	4	0	4,015,060:84:0	
844	97	176	14:29:27.600	175DE176A6A	6TMREC	LPU	7.68 KBPS NIMS-UVS-PPR RECORD Record Mode	4R3	4	0	4,015,060:84:0	
845	97	176	14:29:27.666		DMS:	:*AT SPD	R7, TRACK 1, FWD, TIC 2248.25 +/-	4R3	4	0	4,015,060:86:1	
846	97	176	14:29:27.666		DMS:	:*RECORD	R7, TRACK 1, FWD, TIC *2248.25 +/-	4R3	4	0	4,015,060:86:1	
847	97	176	14:29:29.600	165DE4B	7VECT		Inert vect update UTC	4R3	4	0	4,015,060:89:0	
848	97	176	14:29:30.933	C9CNSKULD 01-	NIMPBK	301KB	STUDY OF A BRIGHT CRATER	4R3	4	0	:	:
849	97	176	14:29:30.933	117DE105A106A4A	7STRP	0.01075,0.0,0.0,0.0,	Slew = 0.03	4R3	4	0	4,015,061:00:0	
850	97	176	14:34:22.933	C9CNSKULD 01-	NIMPBK	301FO	STUDY OF A BRIGHT CRATER	4R3	4	0	:	:
851	97	176	14:34:30.933	C9CNSKULD 01-	DESEL	300KB	STUDY OF A BRIGHT CRATER	4R3	4	0	:	:
852	97	176	14:35:30.933	117DE105A106A4B	7STRP	-0.01075,0.0,008,0	Slew = 3.81	4R3	4	0	4,015,066:85:0	
853	97	176	14:35:36.933	117DE105A106A4C	7STRP	0.01075,0.0,0.0,0.0,	Slew = 0.03	4R3	4	0	4,015,067:03:0	
854	97	176	14:39:30.933	C9CNSKULD 01-	DESEL	300FO	STUDY OF A BRIGHT CRATER	4R3	4	0	:	:
855	97	176	14:39:32.933	175DE422A6B	6DMSC	RDY,0	DMS Control Tape stop	4R3	4	0	4,015,070:84:0	
856	97	176	14:39:32.933		DMS:	:*RUNDOWN	R7, TRACK 1, FWD, TIC *2390.11 +/-	4R3	4	0	4,015,070:84:0	
857	97	176	14:39:32.933	175DE6A	6TMREC	NRC	NO RECORD Record Mode Change	4R3	4	0	4,015,070:84:0	
858	97	176	14:39:34.133		DMS:	:*READY	RDY, TRACK 1, FWD, TIC *2390.17 +/-	4R3	4	0	4,015,070:85:8	
859	97	176	14:41:36.933	117DE11A	CSMOS	GE	***** GROUP END CSMOS	4R3	4	0	4,015,072:88:0	
860	97	176	14:41:59.600	C9CNSKULD 01-		-----STOP-----		4R3	4	0	:	:
861	97	176	14:55:32.933	488O6E	6TMSED	NORM,FL6	Sci, Eng, and D/L Chan	4R3	4	0	4,015,086:68:0	
862	97	176	14:56:48.266	165DF4A	7SCAN	NORM,45.328,21.7	Check S/P Position	4R3	4	0	4,015,087:90:0	
863	97	176	14:56:52.933	C9CNNOLAT 01-		-----START-----		4R3	4	0	:	:
864	97	176	14:57:38.266	175DF422A6A	6DMSC	RDY,1	RDY, TRACK 1, FWD, TIC 2390.17 +/-	4R3	4	0	4,015,088:74:0	
865	97	176	14:57:38.266	117DF	CSMOS	GS	DMS Control Tape runup 7.68kbp	4R3	4	0	4,015,088:74:0	
866	97	176	14:57:40.266		DMS:	:*RUNUP	***** GROUP START CSMOS	4R3	4	0	4,015,088:77:0	
867	97	176	14:57:44.933	175DF176A6A	6TMREC	LPU	R7, TRACK 1, FWD, TIC 2390.17 +/-	4R3	4	0	4,015,088:84:0	
868	97	176	14:57:46.266		DMS:	:*RECORD	7.68 KBPS NIMS-UVS-PPR RECORD Record Mode	4R3	4	0	4,015,088:86:0	
869	97	176	14:57:46.333		DMS:	:*AT SPD	R7, TRACK 1, FWD, TIC 2390.29 +/-	4R3	4	0	4,015,088:86:1	
870	97	176	14:57:46.333		DMS:	:*AT SPD	R7, TRACK 1, FWD, TIC 2390.29 +/-	4R3	4	0	4,015,088:86:1	
871	97	176	14:57:49.600	C9CNNOLAT01-,	NIMPBK	301KC	NORTH LATITUDE COVERAGE	4R3	4	0	:	:
872	97	176	14:57:49.600	117DF105A106A4A	7STRP	0.023004,0.0,0.0,0.0	Slew = 0.06	4R3	4	0	4,015,089:00:0	
873	97	176	15:03:01.600	C9CNNOLAT 01-	NIMPBK	300FP	NORTH LATITUDE COVERAGE	4R3	4	0	:	:
874	97	176	15:03:09.600	C9CNNOLAT 01-	DESEL	300KC	NORTH LATITUDE COVERAGE	4R3	4	0	:	:
875	97	176	15:04:15.600	117DF105A106A4B	7STRP	-0.013001,0.01,0	Slew = 12.01	4R3	4	0	4,015,095:33:0	
876	97	176	15:04:26.933	117DF105A106A4C	7STRP	0.023004,0.0,0.0,0.0	Slew = 0.06	4R3	4	0	4,015,095:50:0	
877	97	176	15:06:15.600	488P6A	6TMSED	NORM,FL5	Sci, Eng, and D/L Chan	4R3	4	0	4,015,097:31:0	
878	97	176	15:08:29.600	C9CNNOLAT 01-	DESEL	300FP	NORTH LATITUDE COVERAGE	4R3	4	0	:	:

Line	YR	DOY	SCET - GMT	PSID	Command	Parameters	Description	GCM	GO	GS	RIM	MFI
879	97	176	15:08:31.600		DMS:	:*RUNDOWN	R7, TRACK 1, FWD, TIC *2541.52 +/-	4R3	4	0	4,015,099:530	
880	97	176	15:08:31.600	175DF422A6B	6DMSC	RDY,0	DMS Control Tape stop	4R3	4	0	4,015,099:530	
881	97	176	15:08:31.600	175DF6A	6TMREC	NRC	NO RECORD Record Mode Change	4R3	4	0	4,015,099:530	
882	97	176	15:08:32.800		DMS:	:*READY	RDY, TRACK 1, FWD, TIC *2541.58 +/-	4R3	4	0	4,015,099:54:8	
883	97	176	15:10:52.933	117DF11A	CSMOS	GE	**** GROUP END CSMOS	4R3	4	0	4,015,101:830	
884	97	176	15:10:57.600	165IC4A	7SCAN	NORM,45.875,21.0	Check S/P Position	4R3	4	0	4,015,101:90:0	
885	97	176	15:11:00.266	C9CNNOLAT 01-	*****STOP*****			4R3	4	0	:	:
886	97	176	15:12:49.600		DMS:	:*E4-DELAY	RDY, TRACK 1, FWD, TIC 2541.58 +/-	4R3	4	0	4,015,103:76:0	
887	97	176	15:12:49.600	175IC422A6A	6DMSC	R806,1	DMS Control	4R3	4	0	4,015,103:76:0	
888	97	176	15:12:51.600	118IC	DMS:	GS		4R3	4	0	4,015,103:79:0	
889	97	176	15:12:56.266		DMS:	:*RUNUP	R806, TRACK 1, FWD, TIC 2541.58 +/-	4R3	4	0	4,015,103:86:0	
890	97	176	15:12:58.266	165IC4B	7VECT		Inert vect update UTC	4R3	4	0	4,015,103:89:0	
891	97	176	15:13:00.933	175IC176A6A	6TMREC	IM8	806.4 KBPS IMAGE RECORD Record Mode Change	4R3	4	0	4,015,104:02:0	
892	97	176	15:13:01.533		DMS:	:*RECORD	R806, TRACK 1, FWD, TIC *2607.58 +/-	4R3	4	0	4,015,104:02:9	
893	97	176	15:13:01.533		DMS:	:*AT SPD	R806, TRACK 1, FWD, TIC 2607.58 +/- 1	4R3	4	0	4,015,104:02:9	
894	97	176	15:13:01.600	118IC110A111A4A	7STRP	0.00725,0.0,26.0	Slew =,3.01	4R3	4	0	4,015,104:03:0	
895	97	176	15:13:10.266	118IC110A111A4B	7STRP	-0.00725,0.0,00725	Slew =,7.01	4R3	4	0	4,015,104:16:0	
896	97	176	15:13:18.933	118IC110A111A4C	7STRP	0.00725,0.0,26.0	Slew =,3.01	4R3	4	0	4,015,104:29:0	
897	97	176	15:13:27.600	118IC110A111A4D	7STRP	-0.00725,0.0,00725	Slew =,7.01	4R3	4	0	4,015,104:42:0	
898	97	176	15:13:36.266	118IC110A111A4E	7STRP	0.00725,0.0,26.0	Slew =,3.01	4R3	4	0	4,015,104:55:0	
899	97	176	15:13:44.933	118IC110A111A4F	7STRP	-0.00725,0.0,00725	Slew =,7.01	4R3	4	0	4,015,104:68:0	
900	97	176	15:13:53.600	118IC110A111A4G	7STRP	0.00725,0.0,26.0	Slew =,3.01	4R3	4	0	4,015,104:81:0	
901	97	176	15:14:02.266	118IC110A111A4H	7STRP	-0.00725,0.0,00725	Slew =,7.01	4R3	4	0	4,015,105:03:0	
902	97	176	15:14:04.266	C9CNVALSPC01-	*****START*****			4R3	4	0	:	:
903	97	176	15:14:10.933	118IC110A111A4I	7STRP	0.00725,0.0,26.0	Slew =,3.01	4R3	4	0	4,015,105:16:0	
904	97	176	15:14:19.600	118IC110A111A4J	7STRP	-0.00725,0.0,00725	Slew =,7.01	4R3	4	0	4,015,105:29:0	
905	97	176	15:14:28.266	118IC110A111A4K	7STRP	0.00725,0.0,26.0	Slew =,3.01	4R3	4	0	4,015,105:42:0	
906	97	176	15:14:36.933	118IC110A111A4L	7STRP	-0.00725,0.0,00725	Slew =,7.01	4R3	4	0	4,015,105:55:0	
907	97	176	15:14:45.600	118IC110A111A4M	7STRP	0.00725,0.0,26.0	Slew =,3.01	4R3	4	0	4,015,105:68:0	
908	97	176	15:14:54.266	118IC111A	SMOS	GE		4R3	4	0	4,015,105:81:0	
909	97	176	15:15:00.266	488P6B	6TMSED	NORM,CL5	Sci, Eng, and D/L Chan	4R3	4	0	4,015,105:90:0	
910	97	176	15:15:00.266	165DG4A	7SCAN	NORM,46.396,19.6	Check S/P Position	4R3	4	0	4,015,105:90:0	
911	97	176	15:15:00.933	175IC422A6B	6DMSC	RDY,0	DMS Control Tape stop	4R3	4	0	4,015,106:00:0	
912	97	176	15:15:00.933		DMS:	:*RUNDOWN	R806, TRACK 1, FWD, TIC *5545.94 +/- 1	4R3	4	0	4,015,106:00:0	
913	97	176	15:15:03.666		DMS:	:*READY	RDY, TRACK 1, FWD, TIC *5557.44 +/- 1	4R3	4	0	4,015,106:04:1	
914	97	176	15:18:52.266	175DGD22A6A	6DMSC	R7,1	DMS Control Tape runup 7.68kbp	4R3	4	0	4,015,109:74:0	
915	97	176	15:18:52.266		DMS:	:*E4-DELAY	RDY, TRACK 1, FWD, TIC 5557.44 +/- 1	4R3	4	0	4,015,109:74:0	
916	97	176	15:18:54.266	117DG	CSMOS	GS	**** GROUP START CSMOS	4R3	4	0	4,015,109:77:0	
917	97	176	15:18:58.933		DMS:	:*RUNUP	R7, TRACK 1, FWD, TIC 5557.44 +/- 1	4R3	4	0	4,015,109:84:0	
918	97	176	15:19:00.266	175DGD176A6A	6TMREC	LPU	7.68 KBPS NIMS-UVS-PPR RECORD Record Mode	4R3	4	0	4,015,109:86:0	
919	97	176	15:19:00.333		DMS:	:*RECORD	R7, TRACK 1, FWD, TIC *5557.56 +/- 1	4R3	4	0	4,015,109:86:1	
920	97	176	15:19:00.333		DMS:	:*AT SPD	R7, TRACK 1, FWD, TIC 5557.56 +/- 1	4R3	4	0	4,015,109:86:1	
921	97	176	15:19:03.600	C9CNVALSPC01-	NIMPBK	301KD	VALHALLA SPECTRAL SCAN	4R3	4	0	:	:
922	97	176	15:19:03.600	117DG105A106A4A	7STRP	0.034414,0.0,0.0	Slew =,0.03	4R3	4	0	4,015,110:00:0	
923	97	176	15:22:15.600	C9CNVALSPC01-	NIMPBK	301FQ	VALHALLA SPECTRAL SCAN	4R3	4	0	:	:
924	97	176	15:22:23.600	C9CNVALSPC01-	DESEL	300KD	VALHALLA SPECTRAL SCAN	4R3	4	0	:	:
925	97	176	15:25:43.600	C9CNVALSPC01-	DESEL	300FQ	VALHALLA SPECTRAL SCAN	4R3	4	0	:	:
926	97	176	15:25:45.600	175DGD22A6B	6DMSC	RDY,0	DMS Control Tape stop	4R3	4	0	4,015,116:57:0	
927	97	176	15:25:45.600		DMS:	:*RUNDOWN	R7, TRACK 1, FWD, TIC *5652.54 +/- 1	4R3	4	0	4,015,116:57:0	
928	97	176	15:25:45.600	175DG6A	6TMREC	NRC	NO RECORD Record Mode Change	4R3	4	0	4,015,116:57:0	
929	97	176	15:25:46.800		DMS:	:*READY	RDY, TRACK 1, FWD, TIC *5652.60 +/- 1	4R3	4	0	4,015,116:58:8	
930	97	176	15:38:12.866	117DG11A	CSMOS	GE	**** GROUP END CSMOS	4R3	4	0	4,015,128:86:0	
931	97	176	15:38:15.533	165ID4A	7SCAN	NORM,44.913,19.3	Check S/P Position	4R3	4	0	4,015,128:90:0	
932	97	176	15:39:00.266	C9CNVALSPC01-	*****STOP*****			4R3	4	0	:	:
933	97	176	15:42:15.533	175ID422A6A	6DMSC	R115,1	DMS Control	4R3	4	0	4,015,132:86:0	

Line	YR	DOY	SCET - GMT	PSID	Command	Parameters	Description	GCM	GO	GS	RIM	MFI
934	97	176	15:42:15.533		DMS:	: *E4-DELAY	RDY, TRACK 1, FWD, TIC 5652.60 +/- 1	4R3	4	0	4,015,132:86:0	
935	97	176	15:42:17.533	165ID4B	7VECT		Inert vect update UTC	4R3	4	0	4,015,132:89:0	
936	97	176	15:42:22.200		DMS:	: *RUNUP	R115, TRACK 1, FWD, TIC 5652.60 +/- 1	4R3	4	0	4,015,133:05:0	
937	97	176	15:42:25.533	175ID176A6A	6TMREC	HIM	115.2 KBPS SSI + NIMS RECORD Record Mode	4R3	4	0	4,015,133:10:0	
938	97	176	15:42:26.200		DMS:	: *RECORD	R115, TRACK 1, FWD, TIC *5658.90 +/- 1	4R3	4	0	4,015,133:11:0	
939	97	176	15:42:26.200		DMS:	: *AT_SPD	R115, TRACK 1, FWD, TIC 5658.90 +/- 1	4R3	4	0	4,015,133:11:0	
940	97	176	15:43:19.533	176IA6A	6TMREC	HIS	115.2 KBPS SSI + NIMS RECORD Record Mode	4R3	4	0	4,015,134:00:0	
941	97	176	15:43:50.200	175ID422A6B	6DMSC	RDY,0	DMS Control Tape stop	4R3	4	0	4,015,134:46:0	
942	97	176	15:43:50.200		DMS:	: *RUNDOWN	R115, TRACK 1, FWD, TIC *5954.22 +/- 1	4R3	4	0	4,015,134:46:0	
943	97	176	15:43:51.400		DMS:	: *READY	RDY, TRACK 1, FWD, TIC *5955.22 +/- 1	4R3	4	0	4,015,134:47:8	
944	97	176	15:48:16.200		DMS:	: *E4-DELAY	RDY, TRACK 1, FWD, TIC 5955.22 +/- 1	4R3	4	0	4,015,138:81:0	
945	97	176	15:48:16.200		DMS:	: *DMS-TURN	P7, TRACK 1, FWD, TIC 5955.22 +/- 1	4R3	4	0	4,015,138:81:0	
946	97	176	15:48:16.200	465KD6A	6DTRN	CMD,6DTRN,465KD6	DMS TRACK TURNAROUND	4R3	4	0	4,015,138:81:0	
947	97	176	15:48:22.866		DMS:	: *RUNUP	P7, TRACK 1, FWD, TIC 5955.22 +/- 1	4R3	4	0	4,015,139:00:0	
948	97	176	15:48:24.266		DMS:	: *AT_SPD	P7, TRACK 1, FWD, TIC *5955.34 +/- 1	4R3	4	0	4,015,139:02:1	
949	97	176	15:53:32.866		DMS:	: *REVERSE	P7, TRACK 1, FWD, TIC *6027.63 +/- 1	4R3	4	0	4,015,144:09:7	
950	97	176	15:53:33.866		DMS:	: *TURNARND	P7, TRACK *2, *REV, TIC *6027.69 +/- 1	4R3	4	0	4,015,144:11:5	
951	97	176	15:53:33.866		DMS:	: *RUNUP	P7, TRACK 2, REV, TIC 6027.69 +/- 1	4R3	4	0	4,015,144:11:5	
952	97	176	15:53:35.266		DMS:	: *AT_SPD	P7, TRACK 2, REV, TIC *6027.57 +/- 1	4R3	4	0	4,015,144:13:6	
953	97	176	15:53:47.266		DMS:	: *AUTOSTOP	P7, TRACK 2, REV, TIC *6025.44 +/- 1	4R3	4	0	4,015,144:31:6	
954	97	176	15:53:48.466		DMS:	: *READY	RDY, TRACK 2, REV, TIC *6025.38 +/- 1	4R3	4	0	4,015,144:33:4	
955	97	176	16:00:21.533		DMS:	: *US-RUNUP	P7, TRACK *1, *FWD, TIC 6025.38 +/- 1	4R3	4	0	4,015,150:77:0	
956	97	176	16:00:21.533	465KE6A	6DMSC	P7,2	DMS Control Tape P/B 7.68kbps	4R3	4	0	4,015,150:77:0	
957	97	176	16:00:22.933		DMS:	: *US_AT_SP	P7, TRACK 1, FWD, TIC *6025.50 +/- 1	4R3	4	0	4,015,150:79:1	
958	97	176	16:00:28.200		DMS:	: *US_RD	P7, TRACK 1, FWD, TIC *6026.73 +/- 1	4R3	4	0	4,015,150:87:0	
959	97	176	16:00:29.400		DMS:	: *RUNUP	P7, TRACK *2, *REV, TIC *6026.79 +/- 1	4R3	4	0	4,015,150:88:8	
960	97	176	16:00:30.800		DMS:	: *AT_SPD	P7, TRACK 2, REV, TIC 6026.67 +/- 1	4R3	4	0	4,015,150:90:9	
961	97	176	16:00:30.800		DMS:	: *P_SLEW	P7, TRACK 2, REV, TIC *6026.67 +/- 1	4R3	4	0	4,015,150:90:9	
962	97	176	16:01:44.866	465KE6B	6DMSC	RDY,2	DMS Control Tape stop	4R3	4	0	4,015,152:20:0	
963	97	176	16:01:44.866		DMS:	: *RUNDOWN	P7, TRACK 2, REV, TIC *6009.31 +/- 1	4R3	4	0	4,015,152:20:0	
964	97	176	16:01:46.066		DMS:	: *READY	RDY, TRACK 2, REV, TIC *6009.25 +/- 1	4R3	4	0	4,015,152:21:8	
965	97	176	16:03:32.200	165GI4A	7SCAN	NORM,43.74,20.59	Check S/P Position	4R3	4	0	4,015,153:90:0	
966	97	176	16:07:26.200	117GI	CSMOS	GS	**** GROUP START CSMOS	4R3	4	0	4,015,157:77:0	
967	97	176	16:07:34.200	165GI4B	7VECT		Inert vect update UTC	4R3	4	0	4,015,157:89:0	
968	97	176	16:07:35.533	117GI105A106A4A	7STRP	0.036016,0.0,0.0,0	Slew = 0.48	4R3	4	0	4,015,158:00:0	
969	97	176	16:07:35.533	176GI6A	6TMREC	BPT	7.68 KBPS PPR BURST TO TAPE Record Mode C	4R3	4	0	4,015,159:00:0	
970	97	176	16:08:55.533	117GI105A106A4B	7STRP	-0.035715,0.0015	Slew = 12.01	4R3	4	0	4,015,159:29:0	
971	97	176	16:09:04.200	117GI105A106A4C	7STRP	0.036016,0.0,0.0,0	Slew = 0.48	4R3	4	0	4,015,159:42:0	
972	97	176	16:10:24.200	117GI105A106A4D	7STRP	-0.035715,0.0015	Slew = 12.01	4R3	4	0	4,015,160:71:0	
973	97	176	16:10:32.866	117GI105A106A4E	7STRP	0.036016,0.0,0.0,0	Slew = 0.48	4R3	4	0	4,015,160:84:0	
974	97	176	16:11:52.866	117GI105A106A4F	7STRP	-0.035715,0.0015	Slew = 12.01	4R3	4	0	4,015,162:22:0	
975	97	176	16:12:01.533	117GI105A106A4G	7STRP	0.036016,0.0,0.0,0	Slew = 0.48	4R3	4	0	4,015,162:35:0	
976	97	176	16:13:21.533	117GI105A106A4H	7STRP	-0.035715,0.0015	Slew = 12.01	4R3	4	0	4,015,163:64:0	
977	97	176	16:13:30.200	117GI105A106A4I	7STRP	0.036016,0.0,0.0,0	Slew = 0.48	4R3	4	0	4,015,163:77:0	
978	97	176	16:14:50.200	117GI105A106A4J	7STRP	-0.035715,0.0015	Slew = 12.01	4R3	4	0	4,015,165:15:0	
979	97	176	16:14:58.866	117GI105A106A4K	7STRP	0.036016,0.0,0.0,0	Slew = 0.48	4R3	4	0	4,015,165:28:0	
980	97	176	16:16:18.866	117GI105A106A4L	7STRP	-0.035715,0.0015	Slew = 12.01	4R3	4	0	4,015,166:57:0	
981	97	176	16:16:27.533	117GI105A106A4M	7STRP	0.036016,0.0,0.0,0	Slew = 0.48	4R3	4	0	4,015,166:70:0	
982	97	176	16:17:47.533	117GI105A106A4N	7STRP	-0.035715,0.0015	Slew = 12.01	4R3	4	0	4,015,168:08:0	
983	97	176	16:17:56.200	117GI105A106A4O	7STRP	0.036016,0.0,0.0,0	Slew = 0.48	4R3	4	0	4,015,168:21:0	
984	97	176	16:19:16.200	117GI105A106A4P	7STRP	-0.035715,0.0015	Slew = 12.01	4R3	4	0	4,015,169:50:0	
985	97	176	16:19:24.866	117GI105A106A4Q	7STRP	0.036016,0.0,0.0,0	Slew = 0.48	4R3	4	0	4,015,169:63:0	
986	97	176	16:20:44.866	117GI105A106A4R	7STRP	-0.035715,0.0015	Slew = 12.01	4R3	4	0	4,015,171:01:0	
987	97	176	16:20:53.533	117GI105A106A4S	7STRP	0.036016,0.0,0.0,0	Slew = 0.48	4R3	4	0	4,015,171:14:0	
988	97	176	16:22:13.533	117GI105A106A4T	7STRP	-0.035715,0.0015	Slew = 12.01	4R3	4	0	4,015,172:43:0	

Line	YR	DOY	SCET - GMT	PSID	Command	Parameters	Description	GCM	GO	GS	RIM	MFI
989	97	176	16:22:22.200	117G105A106A4U	7STRP	0.036016,0.0,0.0	Slew = 0.48	4R3	4	0	4,015,172:56:0	
990	97	176	16:23:42.200	117G105A106A4V	7STRP	-0.035715,0.0015	Slew = 12.01	4R3	4	0	4,015,173:85:0	
991	97	176	16:23:50.866	117G105A106A4W	7STRP	0.036016,0.0,0.0	Slew = 0.48	4R3	4	0	4,015,174:07:0	
992	97	176	16:24:48.200	50ZZ6XX	6DMSC	R7,0	DMS Control Tape runup 7.68kps	4R3	4	0	4,015,175:02:0	
993	97	176	16:24:49.600		DMS:	: *US-RUNUP	P7, TRACK *1, *FWD, TIC *6009.25 +/-	4R3	4	0	4,015,175:02:0	
994	97	176	16:24:49.600		DMS:	: *US_AT_SP	P7, TRACK 1, FWD, TIC *6009.37 +/-	4R3	4	0	4,015,175:04:1	
995	97	176	16:24:54.866		DMS:	: *US_RD	P7, TRACK 1, FWD, TIC *6010.61 +/-	4R3	4	0	4,015,175:12:0	
996	97	176	16:24:56.066		DMS:	: *RUNUP	R7, TRACK *2, *REV, TIC *6010.67 +/-	4R3	4	0	4,015,175:13:8	
997	97	176	16:24:57.466		DMS:	: *AT_SPD	R7, TRACK 2, REV, TIC *6010.55 +/-	4R3	4	0	4,015,175:15:9	
998	97	176	16:25:10.866	117G105A106A4X	7STRP	-0.035715,0.0015	Slew = 12.01	4R3	4	0	4,015,175:49:0	
999	97	176	16:25:19.533	117G105A106A4Y	7STRP	0.036016,0.0,0.0	Slew = 0.48	4R3	4	0	4,015,175:50:0	
1000	97	176	16:25:23.533		DMS:	: *RECORD	R7, TRACK 2, REV, TIC *6004.44 +/-	4R3	4	0	4,015,175:55:0	
1001	97	176	16:25:46.200	50ZZ6RE	6DMSC	RDY,0	DMS Control Tape stop	4R3	4	0	4,015,175:89:0	
1002	97	176	16:25:46.200		DMS:	: *RUNDOWN	R7, TRACK 2, REV, TIC *5999.12 +/-	4R3	4	0	4,015,175:89:0	
1003	97	176	16:25:47.400		DMS:	: *READY	RDY, TRACK 2, REV, TIC *5999.06 +/-	4R3	4	0	4,015,175:90:8	
1004	97	176	16:26:39.533	117G105A106A4Z	7STRP	-0.035715,0.0015	Slew = 12.01	4R3	4	0	4,015,176:78:0	
1005	97	176	16:26:48.200	117G105A106A4A	7STRP	0.036016,0.0,0.0	Slew = 0.48	4R3	4	0	4,015,177:00:0	
1006	97	176	16:28:08.200	117G105A106A4AB	7STRP	-0.035715,0.0015	Slew = 12.01	4R3	4	0	4,015,178:29:0	
1007	97	176	16:28:16.866	117G105A106A4AC	7STRP	0.036016,0.0,0.0	Slew = 0.48	4R3	4	0	4,015,178:42:0	
1008	97	176	16:29:36.866	117G105A106A4AD	7STRP	-0.035715,0.0015	Slew = 12.01	4R3	4	0	4,015,179:71:0	
1009	97	176	16:29:45.533	117G105A106A4AE	7STRP	0.036016,0.0,0.0	Slew = 0.48	4R3	4	0	4,015,179:84:0	
1010	97	176	16:31:05.533	117G105A106A4AF	7STRP	-0.035715,0.0015	Slew = 12.01	4R3	4	0	4,015,181:22:0	
1011	97	176	16:31:14.200	117G105A106A4AG	7STRP	0.036016,0.0,0.0	Slew = 0.48	4R3	4	0	4,015,181:35:0	
1012	97	176	16:32:34.200	117G105A106A4AH	7STRP	-0.035715,0.0015	Slew = 12.01	4R3	4	0	4,015,182:64:0	
1013	97	176	16:32:42.866	117G105A106A4AI	7STRP	0.036016,0.0,0.0	Slew = 0.48	4R3	4	0	4,015,182:77:0	
1014	97	176	16:34:02.866	117G105A106A4AJ	7STRP	-0.035715,0.0015	Slew = 12.01	4R3	4	0	4,015,184:15:0	
1015	97	176	16:34:11.533	117G105A106A4AK	7STRP	0.036016,0.0,0.0	Slew = 0.48	4R3	4	0	4,015,184:28:0	
1016	97	176	16:35:31.533	117G105A106A4AL	7STRP	-0.035715,0.0015	Slew = 12.01	4R3	4	0	4,015,185:57:0	
1017	97	176	16:35:40.200	117G105A106A4AM	7STRP	0.036016,0.0,0.0	Slew = 0.48	4R3	4	0	4,015,185:70:0	
1018	97	176	16:37:00.200	117G105A106A4AN	7STRP	-0.035715,0.0015	Slew = 12.01	4R3	4	0	4,015,187:08:0	
1019	97	176	16:37:08.866	117G105A106A4AO	7STRP	0.036016,0.0,0.0	Slew = 0.48	4R3	4	0	4,015,187:21:0	
1020	97	176	16:38:28.866	117G105A106A4AP	7STRP	-0.035715,0.0015	Slew = 12.01	4R3	4	0	4,015,188:50:0	
1021	97	176	16:38:37.533	117G105A106A4AQ	7STRP	0.036016,0.0,0.0	Slew = 0.48	4R3	4	0	4,015,188:63:0	
1022	97	176	16:39:57.533	117G105A106A4AR	7STRP	-0.035715,0.0015	Slew = 12.01	4R3	4	0	4,015,190:01:0	
1023	97	176	16:40:06.200	117G105A106A4AS	7STRP	0.036016,0.0,0.0	Slew = 0.48	4R3	4	0	4,015,190:14:0	
1024	97	176	16:41:26.200	117G105A106A4AT	7STRP	-0.035715,0.0015	Slew = 12.01	4R3	4	0	4,015,191:43:0	
1025	97	176	16:41:34.866	117G105A106A4AU	7STRP	0.036016,0.0,0.0	Slew = 0.48	4R3	4	0	4,015,191:56:0	
1026	97	176	16:42:39.533		DMS:	: *US-RUNUP	P7, TRACK *1, *FWD, TIC 5999.06 +/-	4R3	4	0	4,015,192:62:0	
1027	97	176	16:42:39.533	50ZZ6XX	6DMSC	R7,0	DMS Control Tape runup 7.68kps	4R3	4	0	4,015,192:62:0	
1028	97	176	16:42:40.933		DMS:	: *US_AT_SP	P7, TRACK 1, FWD, TIC *5999.18 +/-	4R3	4	0	4,015,192:64:1	
1029	97	176	16:42:46.200		DMS:	: *US_RD	P7, TRACK 1, FWD, TIC *6000.42 +/-	4R3	4	0	4,015,192:72:0	
1030	97	176	16:42:47.400		DMS:	: *RUNUP	R7, TRACK *2, *REV, TIC *6000.48 +/-	4R3	4	0	4,015,192:73:8	
1031	97	176	16:42:48.800		DMS:	: *AT_SPD	R7, TRACK 2, REV, TIC *6000.36 +/-	4R3	4	0	4,015,192:75:9	
1032	97	176	16:42:54.866	117G105A106A4AV	7STRP	-0.035715,0.0015	Slew = 12.01	4R3	4	0	4,015,192:85:0	
1033	97	176	16:43:03.533	117G105A106A4AW	7STRP	0.036016,0.0,0.0	Slew = 0.48	4R3	4	0	4,015,193:07:0	
1034	97	176	16:43:14.200		DMS:	: *RECORD	R7, TRACK 2, REV, TIC *5994.41 +/-	4R3	4	0	4,015,193:23:0	
1035	97	176	16:43:36.866	50ZZ6RD	6DMSC	RDY,0	DMS Control Tape stop	4R3	4	0	4,015,193:57:0	
1036	97	176	16:43:36.866		DMS:	: *RUNDOWN	R7, TRACK 2, REV, TIC *5989.09 +/-	4R3	4	0	4,015,193:57:0	
1037	97	176	16:43:38.066		DMS:	: *READY	RDY, TRACK 2, REV, TIC *5989.03 +/-	4R3	4	0	4,015,193:58:8	
1038	97	176	16:44:32.533	117G105A106A4AX	7STRP	-0.035715,0.0015	Slew = 12.01	4R3	4	0	4,015,194:36:0	
1039	97	176	16:44:32.200	117G105A106A4AY	7STRP	0.036016,0.0,0.0	Slew = 0.48	4R3	4	0	4,015,194:49:0	
1040	97	176	16:45:52.200	117G105A106A4AZ	7STRP	-0.035715,0.0015	Slew = 12.01	4R3	4	0	4,015,196:78:0	
1041	97	176	16:46:00.866	117G105A106A4BA	7STRP	0.036016,0.0,0.0	Slew = 0.48	4R3	4	0	4,015,196:00:0	
1042	97	176	16:47:20.866	117G105A106A4BB	7STRP	-0.035715,0.0015	Slew = 12.01	4R3	4	0	4,015,197:29:0	
1043	97	176	16:47:29.533	117G105A106A4BC	7STRP	0.036016,0.0,0.0	Slew = 0.48	4R3	4	0	4,015,197:42:0	

Line	YR	DOY	SCET - GMT	PSID	Command	Parameters	Description	GCM	GO	GS	RIM	MFI	
1044	97	176	16:48:49.533	117G105A106A4BD	7STRP	-0.035715,0.0015	Slew =12.01	4R3	4	0	4,015,198:71.0		
1045	97	176	16:48:58.200	117G105A106A4BE	7STRP	0.036016,0.0000	Slew =0.48	4R3	4	0	4,015,198:84.0		
1046	97	176	16:50:18.200	117G105A106A4BF	7STRP	-0.035715,0.0015	Slew =12.01	4R3	4	0	4,015,200:22.0		
1047	97	176	16:50:26.866	117G105A106A4BG	7STRP	0.036016,0.0000	Slew =0.48	4R3	4	0	4,015,200:35.0		
1048	97	176	16:51:46.866	117G105A106A4BH	7STRP	-0.035715,0.0015	Slew =12.01	4R3	4	0	4,015,201:64.0		
1049	97	176	16:51:55.533	117G105A106A4BI	7STRP	0.036016,0.0000	Slew =0.48	4R3	4	0	4,015,201:77.0		
1050	97	176	16:53:15.533	117G105A106A4BJ	7STRP	-0.035715,0.0015	Slew =12.01	4R3	4	0	4,015,203:15.0		
1051	97	176	16:53:24.200	117G105A106A4BK	7STRP	0.036016,0.0000	Slew =0.48	4R3	4	0	4,015,203:28.0		
1052	97	176	16:54:44.200	117G105A106A4BL	7STRP	-0.035715,0.0015	Slew =12.01	4R3	4	0	4,015,204:57.0		
1053	97	176	16:54:52.866	117G105A106A4BM	7STRP	0.036016,0.0000	Slew =0.48	4R3	4	0	4,015,204:70.0		
1054	97	176	16:56:12.866	117G105A106A4BN	7STRP	-0.035715,0.0015	Slew =12.01	4R3	4	0	4,015,206:08.0		
1055	97	176	16:56:21.533	117G105A106A4BO	7STRP	0.036016,0.0000	Slew =0.48	4R3	4	0	4,015,206:21.0		
1056	97	176	16:57:41.533	117G105A106A4BP	7STRP	-0.035715,0.0015	Slew =12.01	4R3	4	0	4,015,207:50.0		
1057	97	176	16:57:50.200	117G105A106A4BQ	7STRP	0.036016,0.0000	Slew =0.48	4R3	4	0	4,015,207:63.0		
1058	97	176	16:59:10.200	117G105A106A4BR	7STRP	-0.035715,0.0015	Slew =12.01	4R3	4	0	4,015,209:01.0		
1059	97	176	16:59:18.866	117G105A106A4BS	7STRP	0.036016,0.0000	Slew =0.48	4R3	4	0	4,015,209:14.0		
1060	97	176	17:00:30.866		DMS:	: *US-RUNUP	P7, TRACK *1, *FWD, TIC *5989.03 +/-	4R3	4	0	4,015,210:31.0		
1061	97	176	17:00:30.866	50ZZ6XX	6DMSC	R7,0	DMS Control Tape runup 7.68kps	4R3	4	0	4,015,210:31.0		
1062	97	176	17:00:32.266		DMS:	: *US, AT, SP	P7, TRACK 1, FWD, TIC *5989.15 +/-	4R3	4	0	4,015,210:33.1		
1063	97	176	17:00:37.533		DMS:	: *US, RD	P7, TRACK 1, FWD, TIC *5990.39 +/-	4R3	4	0	4,015,210:41.0		
1064	97	176	17:00:38.733		DMS:	: *RUNUP	R7, TRACK *2, *REV, TIC *5990.45 +/-	4R3	4	0	4,015,210:42.8		
1065	97	176	17:00:38.866	117G105A106A4BT	7STRP	-0.035715,0.0015	Slew =12.01	4R3	4	0	4,015,210:43.0		
1066	97	176	17:00:40.133		DMS:	: *AT, SPD	R7, TRACK 2, REV, TIC *5990.33 +/-	4R3	4	0	4,015,210:44.9		
1067	97	176	17:00:47.533	117G105A106A4BU	7STRP	0.036016,0.0000	Slew =0.48	4R3	4	0	4,015,210:56.0		
1068	97	176	17:01:05.533		DMS:	: *RECORD	R7, TRACK 2, REV, TIC *5984.37 +/-	4R3	4	0	4,015,210:83.0		
1069	97	176	17:01:28.200	50ZZ6RE	6DMSC	RDY,0	DMS Control Tape stop	4R3	4	0	4,015,211:26.0		
1070	97	176	17:01:28.200		DMS:	: *RUNDOWN	R7, TRACK 2, REV, TIC *5979.06 +/-	4R3	4	0	4,015,211:26.0		
1071	97	176	17:01:29.400		DMS:	: *READY	RDY, TRACK 2, REV, TIC *5979.00 +/-	4R3	4	0	4,015,211:27.8		
1072	97	176	17:02:07.533	117G105A106A4BV	7STRP	-0.035715,0.0015	Slew =12.01	4R3	4	0	4,015,211:85.0		
1073	97	176	17:02:16.200	117G105A106A4BW	7STRP	0.036016,0.0000	Slew =0.48	4R3	4	0	4,015,212:07.0		
1074	97	176	17:03:36.200	117G105A106A4BX	7STRP	-0.035715,0.0015	Slew =12.01	4R3	4	0	4,015,213:36.0		
1075	97	176	17:03:44.866	117G105A106A4BY	7STRP	0.036016,0.0000	Slew =0.48	4R3	4	0	4,015,213:49.0		
1076	97	176	17:05:04.866	117G105A106A4BZ	7STRP	-0.035715,0.0015	Slew =12.01	4R3	4	0	4,015,214:78.0		
1077	97	176	17:05:13.533	117G105A106A4CA	7STRP	0.036016,0.0000	Slew =0.48	4R3	4	0	4,015,215:00.0		
1078	97	176	17:06:33.533	117G105A106A4CB	7STRP	-0.035715,0.0015	Slew =12.01	4R3	4	0	4,015,216:29.0		
1079	97	176	17:06:42.200	117G105A106A4CC	7STRP	0.036016,0.0000	Slew =0.48	4R3	4	0	4,015,216:42.0		
1080	97	176	17:08:02.200	117G105A106A4CD	7STRP	-0.035715,0.0015	Slew =12.01	4R3	4	0	4,015,217:71.0		
1081	97	176	17:08:10.866	117G105A106A4CE	7STRP	0.036016,0.0000	Slew =0.48	4R3	4	0	4,015,217:84.0		
1082	97	176	17:09:30.866	117G111A	CSMOS	GE	***** GROUP END CSMOS	4R3	4	0	4,015,219:22.0		
1083	97	176	17:10:16.866	176G16B	6TMREC	NRC	NO RECORD Record Mode Change	4R3	4	0	4,015,220:00.0		
1084	97	176	17:10:18.866	50ZZ6XX	6DMSC	R7,0	DMS Control Tape runup 7.68kps	4R3	4	0	4,015,220:03.0		
1085	97	176	17:10:18.866		DMS:	: *US-RUNUP	P7, TRACK *1, *FWD, TIC *5979.00 +/-	4R3	4	0	4,015,220:03.0		
1086	97	176	17:10:20.266		DMS:	: *US, AT, SP	P7, TRACK 1, FWD, TIC *5979.12 +/-	4R3	4	0	4,015,220:05.1		
1087	97	176	17:10:25.533		DMS:	: *US, RD	P7, TRACK 1, FWD, TIC *5980.36 +/-	4R3	4	0	4,015,220:13.0		
1088	97	176	17:10:26.733		DMS:	: *RUNUP	R7, TRACK *2, *REV, TIC *5980.42 +/-	4R3	4	0	4,015,220:14.8		
1089	97	176	17:10:28.133		DMS:	: *AT, SPD	R7, TRACK 2, REV, TIC *5980.30 +/-	4R3	4	0	4,015,220:16.9		
1090	97	176	17:10:28.866		DMS:	: *RECORD	R7, TRACK 2, REV, TIC *5980.12 +/-	4R3	4	0	4,015,220:18.0		
1091	97	176	17:10:44.866	50ZZ6RD	6DMSC	RDY,0	DMS Control Tape stop	4R3	4	0	4,015,220:42.0		
1092	97	176	17:10:44.866		DMS:	: *RUNDOWN	R7, TRACK 2, REV, TIC *5976.37 +/-	4R3	4	0	4,015,220:42.0		
1093	97	176	17:10:46.066		DMS:	: *READY	RDY, TRACK 2, REV, TIC *5976.31 +/-	4R3	4	0	4,015,220:43.8		
1094	97	176	17:46:44.933	C9CIVALHAL01-165DH4A		-----START-----		4R3	4	0	:	:	:
1095	97	176	17:47:40.866	165DH4A	7SCAN	NORM,42.294,18.5	Check S/P Position	4R3	4	0	4,015,256:90.0		
1096	97	176	17:51:32.200	175DH422A6A	6DMSC	R7,0	DMS Control Tape runup 7.68kps	4R3	4	0	4,015,260:73.0		
1097	97	176	17:51:32.200		DMS:	: *US-RUNUP	P7, TRACK *1, *FWD, TIC *5976.31 +/-	4R3	4	0	4,015,260:73.0		
1098	97	176	17:51:33.600		DMS:	: *US, AT, SP	P7, TRACK 1, FWD, TIC *5976.43 +/-	4R3	4	0	4,015,260:75.1		

Line	YR	DOY	SCET - GMT	PSID	Command	Parameters	Description	GCM	GO	GS	RIM	MFI
1099	97	176	17:51:34.866	117DH	CSMOS	GS	***** GROUP START CSMOS	4R3	4	0	4,015,260:77.0	
1100	97	176	17:51:38.866		DMS:	: *US_RD	P7, TRACK 1, FWD, TIC *5977.67 +/-	4R3	4	0	4,015,260:83.0	
1101	97	176	17:51:40.066		DMS:	: *RUNUP	R7, TRACK *2, *REV, TIC *5977.73 +/-	4R3	4	0	4,015,260:84.8	
1102	97	176	17:51:40.866	175DH176A6A	6TMREC	LPU	7.68 KBPS NIMS-UVS-PPR RECORD Record Mode	4R3	4	0	4,015,260:86.0	
1103	97	176	17:51:41.466		DMS:	: *RECORD	R7, TRACK 2, REV, TIC *5977.61 +/-	4R3	4	0	4,015,260:86.9	
1104	97	176	17:51:41.466		DMS:	: *AT_SPD	R7, TRACK 2, REV, TIC 5977.61 +/-	4R3	4	0	4,015,260:86.9	
1105	97	176	17:51:44.200	C9CNVALHAL01-	NIMPBK	301DB	VALHALLA MULTI-RING STRUCTURE OB	4R3	4	0	:	:
1106	97	176	17:51:44.200	117DH105A106A4A	7STRP	0.017002,0.0,0.0	Slew =-0.03	4R3	4	0	4,015,261:00.0	
1107	97	176	18:01:12.200	117DH105A106A4B	7STRP	-0.015501,0.008,	Slew =-6.51	4R3	4	0	4,015,270:33.0	
1108	97	176	18:01:18.200	117DH105A106A4C	7STRP	0.017002,0.0,0.0	Slew =-0.03	4R3	4	0	4,015,270:42.0	
1109	97	176	18:05:54.200	C9CNVALHAL01-	NIMPBK	301FR	VALHALLA MULTI-RING STRUCTURE OB	4R3	4	0	:	:
1110	97	176	18:06:02.200	C9CNVALHAL01-	DESEL	300DB	VALHALLA MULTI-RING STRUCTURE OB	4R3	4	0	:	:
1111	97	176	18:10:46.200	117DH105A106A4D	7STRP	-0.015501,0.008,	Slew =-6.51	4R3	4	0	4,015,279:75.0	
1112	97	176	18:10:52.200	117DH105A106A4E	7STRP	0.017002,0.0,0.0	Slew =-0.03	4R3	4	0	4,015,279:84.0	
1113	97	176	18:20:20.200	117DH11A	CSMOS	GE	***** GROUP END CSMOS	4R3	4	0	4,015,289:26.0	
1114	97	176	18:20:20.866	C9CNVALHAL01-	DESEL	300FR	VALHALLA MULTI-RING STRUCTURE OB	4R3	4	0	:	:
1115	97	176	18:20:32.200	175DH6A	6TMREC	NRC	NO RECORD Record Mode Change	4R3	4	0	4,015,289:44.0	
1116	97	176	18:20:32.200	175DH422A6B	6DMSC	RDY,0	DMS Control Tape stop	4R3	4	0	4,015,289:44.0	
1117	97	176	18:20:32.200		DMS:	: *RUNDOWN	R7, TRACK 2, REV, TIC *5571.97 +/-	4R3	4	0	4,015,289:44.0	
1118	97	176	18:20:33.400		DMS:	: *READY	RDY, TRACK 2, REV, TIC *5571.91 +/-	4R3	4	0	4,015,289:45.8	
1119	97	176	18:20:57.600	C9HNDARK_01-			*****START*****	4R3	4	0	:	:
1120	97	176	18:21:00.266	C9CNVALHAL01-			*****STOP*****	4R3	4	0	:	:
1121	97	176	18:21:02.866	165DB4A	7SCAN	NORM,284.641998,	Check S/P Position	4R3	4	0	4,015,289:90.0	
1122	97	176	18:24:00.866	127DB	NIMSTAB	GS	%%%%GROUP START TAB	4R3	4	0	4,015,292:84.0	
1123	97	176	18:24:01.533	127DB4A	37ETB	0A,CA,1D,FF,FF.0	Loads wavelength edit table	4R3	4	0	4,015,292:85.0	
1124	97	176	18:24:09.533	127DB11A	NIMSTAB	GE	%%%%GROUP END TAB	4R3	4	0	4,015,293:06.0	
1125	97	176	18:24:54.200	175DDB422A6A	6DMSC	R7,0	DMS Control Tape runup 7.68kps	4R3	4	0	4,015,293:73.0	
1126	97	176	18:24:54.200		DMS:	: *US-RUNUP	P7, TRACK *1, *FWD, TIC 5571.91 +/-	4R3	4	0	4,015,293:73.0	
1127	97	176	18:24:55.600		DMS:	: *US_AT_SP	P7, TRACK 1, FWD, TIC *5572.03 +/-	4R3	4	0	4,015,293:75.1	
1128	97	176	18:24:56.866	117DB	CSMOS	GS	***** GROUP START CSMOS	4R3	4	0	4,015,293:77.0	
1129	97	176	18:25:00.866		DMS:	: *US_RD	P7, TRACK 1, FWD, TIC *5573.26 +/-	4R3	4	0	4,015,293:83.0	
1130	97	176	18:25:02.066		DMS:	: *RUNUP	R7, TRACK *2, *REV, TIC *5573.32 +/-	4R3	4	0	4,015,293:84.8	
1131	97	176	18:25:02.866	175DDB176A6A	6TMREC	LPU	7.68 KBPS NIMS-UVS-PPR RECORD Record Mode	4R3	4	0	4,015,293:86.0	
1132	97	176	18:25:03.466		DMS:	: *AT_SPD	R7, TRACK 2, REV, TIC 5573.20 +/-	4R3	4	0	4,015,293:86.9	
1133	97	176	18:25:03.466		DMS:	: *RECORD	R7, TRACK 2, REV, TIC *5573.20 +/-	4R3	4	0	4,015,293:86.9	
1134	97	176	18:25:06.200	117DB105A106A4A	7STRP	-0.0017,0.0,0.0,	Slew =-0.03	4R3	4	0	4,015,294:00.0	
1135	97	176	18:25:06.200	C9HNDARK_01-	NIMPBK	301DC	NIMS DARK OBSERVATION	4R3	4	0	:	:
1136	97	176	18:26:06.200	C9HNDARK_01-	DESEL	300DC	NIMS DARK OBSERVATION	4R3	4	0	:	:
1137	97	176	18:26:06.866	117DB11A	CSMOS	GE	***** GROUP END CSMOS	4R3	4	0	4,015,295:00.0	
1138	97	176	18:26:10.933	C9HNDARK_01-			*****STOP*****	4R3	4	0	:	:
1139	97	176	18:26:18.200		DMS:	: *RUNDOWN	R7, TRACK 2, REV, TIC *5555.69 +/-	4R3	4	0	4,015,295:17.0	
1140	97	176	18:26:18.200	175DB6A	6TMREC	NRC	NO RECORD Record Mode Change	4R3	4	0	4,015,295:17.0	
1141	97	176	18:26:18.200	175DDB422A6B	6DMSC	RDY,0	DMS Control Tape stop	4R3	4	0	4,015,295:17.0	
1142	97	176	18:26:19.400		DMS:	: *READY	RDY, TRACK 2, REV, TIC *5555.63 +/-	4R3	4	0	4,015,295:18.8	
1143	97	176	18:27:00.200	488P6C	6TMSED	NORM,CH5	Sci, Eng, and D/L Chan	4R3	4	0	4,015,295:80.0	
1144	97	176	18:30:00.200	41VC99A	POWER		Change to Maneuver/Playback Mode	4R3	4	0	4,015,298:77.0	
1145	97	176	18:31:54.200	41VC3G	40T1P		1 PCT Heater 1 ON (primary relay)	4R3	4	0	4,015,300:66.0	
1146	97	176	18:32:04.200	41VC3H	40T1P		2 PCT Heater 1 ON (primary relay)	4R3	4	0	4,015,300:81.0	
1147	97	176	18:32:14.200	41VC3I	40T2		1 PCT Heater 2 ON	4R3	4	0	4,015,301:05.0	
1148	97	176	18:32:24.200	41VC3J	40T2		2 PCT Heater 2 ON	4R3	4	0	4,015,301:20.0	
1149	97	176	18:40:02.200	490UB412A4B	7MODE	INT	AACS INERTIAL MODE	4R3	4	0	4,015,308:70.0	
1150	97	176	18:45:00.200	490UB412A4D	7SAFE	UNSTOW	S/P TO 153 deg cone	4R3	4	0	4,015,313:62.0	
1151	97	176	18:49:10.200	490UB412A4E	7VECT	RTH	Inert vect update UTC	4R3	4	0	4,015,317:73.0	
1152	97	176	18:49:14.200	490UB412A4F	7TURN	1,RTH	ALERT Thruster	4R3	4	0	4,015,317:79.0	
1153	97	176	18:53:02.200	490UB412A406A4A	7VECT		Inert vect update UTC	4R3	4	0	4,015,321:57.0	

Line	YR	DOY	SCET - GMT	PSID	Command	Parameters	Description	GCM	GO	GS	RIM	MFI	
1154	97	176	18:53:04.200	490UB412A406A4B	7STAR	1,3000,95.710999	Star catalog update	4R3	4	0	4,015,321:60:0		
1155	97	176	18:53:06.200	490UB412A406A4C	7STAR	2,121,222.03	Star catalog update	4R3	4	0	4,015,321:63:0		
1156	97	176	18:53:08.200	490UB412A406A4D	7STAR	31,253,185.95	Star catalog update	4R3	4	0	4,015,321:66:0		
1157	97	176	18:53:10.200	490UB412A406A4E	7STAR	4,0,0,0,0,0,0	Star catalog update	4R3	4	0	4,015,321:69:0		
1158	97	176	18:53:12.200	490UB412A406A4F	7STAR	5,0,0,0,0,0,0	Star catalog update	4R3	4	0	4,015,321:72:0		
1159	97	176	18:53:14.200	490UB412A406A4G	7STAR	6,0,0,0,0,0,0	Star catalog update	4R3	4	0	4,015,321:75:0		
1160	97	176	20:07:59.533	432PPD431A6A	6RCDL	DDSNCG,PLSNCG,EP	Record Deselect (DDS o	4R3	4	0	4,015,395:69:0		
1161	97	176	20:08:00.200	432PD6A	6RTSL1		R/T Select of DDS and	4R3	4	0	4,015,395:70:0		
1162	97	176	20:25:00.200	41WD99A	POWER	PWR MODE change	Change to Data Taking Mode	4R3	4	0	4,015,412:53:0		
1163	97	176	20:25:04.200	41WD3A	40T1PR		1 PCT Heater 1 OFF (primary relay)	4R3	4	0	4,015,412:59:0		
1164	97	176	20:25:14.200	41WD3B	40T1PR		2 PCT Heater 1 OFF (primary relay)	4R3	4	0	4,015,412:74:0		
1165	97	176	20:25:24.200	41WD3C	40T2R		1 PCT Heater 2 OFF	4R3	4	0	4,015,412:89:0		
1166	97	176	20:25:34.200	41WD3D	40T2R		2 PCT Heater 2 OFF	4R3	4	0	4,015,413:13:0		
1167	97	176	20:26:15.533	488P6D	6TMSED	NORM,CH7	Sci, Eng, and D/L Chan	4R3	4	0	4,015,413:75:0		
1168	97	176	20:30:00.200	488P6E	6TMSED	NORM,EL7	Sci, Eng, and D/L Chan	4R3	4	0	4,015,417:48:0		
1169	97	176	20:35:00.200	488Q6A	6TMSED	NORM,EL7	Sci, Eng, and D/L Chan	4R3	4	0	4,015,422:43:0		
1170	97	176	20:58:15.533	488Q6B	6TMSED	NORM,EL6	Sci, Eng, and D/L Chan	4R3	4	0	4,015,445:43:0		
1171	97	176	21:31:12.800	C9JNSRTAUR01-		-----START-----		4R3	4	0	0	0	0
1172	97	176	21:32:08.866	165FE4A	7SCAN	NORM,218.044998,	Check S/P Position	4R3	4	0	4,015,478:90:0		
1173	97	176	21:34:06.200	125K04A	37MB	1B,1B,0,0,0,0	Selects mirror (spatial) edit table	4R3	4	0	4,015,480:84:0		
1174	97	176	21:34:06.200	125K011A	NIMSINIT	GE	##### GROUP END INIT	4R3	4	0	4,015,480:84:0		
1175	97	176	21:34:06.200	125K0	NIMSINIT	GS	##### GROUP START INIT	4R3	4	0	4,015,480:84:0		
1176	97	176	21:35:06.866	127K0	NIMSTAB	GS	%%-%-%-% GROUP START TAB	4R3	4	0	4,015,481:84:0		
1177	97	176	21:35:07.533	127K04A	37ETB	04,C4,35,FF,FF	Loads wavelength edit table	4R3	4	0	4,015,481:85:0		
1178	97	176	21:35:15.533	127K011A	NIMSTAB	GE	%%-%-%-% GROUP END TAB	4R3	4	0	4,015,482:06:0		
1179	97	176	21:35:31.533	432DU6A	6RTSL2	NIMSEL,AACNCG,RT	NIMS R/T SELECT	4R3	4	0	4,015,482:30:0		
1180	97	176	21:36:10.866	165FE4B	7VECT		Inert vect update UTC	4R3	4	0	4,015,482:89:0		
1181	97	176	21:38:32.200	432DV6A	6RTDS2	NIMDSL,AACNCG,RT	NIMS R/T DESELECT	4R3	4	0	4,015,485:28:0		
1182	97	176	21:40:18.800	C9JNSRTAUR01-		-----STOP-----		4R3	4	0	0	0	0
1183	97	176	21:47:23.466	C9JNSRTAUR02-		-----START-----		4R3	4	0	0	0	0
1184	97	176	21:48:19.533	165FQ4A	7SCAN	NORM,218.800999,	Check S/P Position	4R3	4	0	4,015,494:90:0		
1185	97	176	21:51:42.200	432DW6A	6RTSL2	NIMSEL,AACNCG,RT	NIMS R/T SELECT	4R3	4	0	4,015,498:30:0		
1186	97	176	21:52:21.533	165FQ4B	7VECT		Inert vect update UTC	4R3	4	0	4,015,498:89:0		
1187	97	176	21:54:42.866	432DX6A	6RTDS2	NIMDSL,AACNCG,RT	NIMS R/T DESELECT	4R3	4	0	4,015,501:28:0		
1188	97	176	21:56:29.466	C9JNSRTAUR02-		-----STOP-----		4R3	4	0	0	0	0
1189	97	176	22:04:34.800	C9JNRTHOTS01-		-----START-----		4R3	4	0	0	0	0
1190	97	176	22:04:43.533	165MB4A	7SCAN	NORM,220.177999,	Check S/P Position	4R3	4	0	4,015,511:19:0		
1191	97	176	22:06:31.533	488Q6C	6TMSED	NORM,EL5	Sci, Eng, and D/L Chan	4R3	4	0	4,015,512:90:0		
1192	97	176	22:07:52.866	432D06A	6RTSL2	NIMSEL,AACNCG,RT	NIMS R/T SELECT	4R3	4	0	4,015,514:30:0		
1193	97	176	22:10:53.533	432DP6A	6RTDS2	NIMDSL,AACNCG,RT	NIMS R/T DESELECT	4R3	4	0	4,015,517:28:0		
1194	97	176	22:11:03.466	C9JNRTHOTS01-		-----STOP-----		4R3	4	0	0	0	0
1195	97	176	22:17:43.466	C9JNSRTAUR03-		-----START-----		4R3	4	0	0	0	0
1196	97	176	22:18:39.533	165FU4A	7SCAN	NORM,220.096998,	Check S/P Position	4R3	4	0	4,015,524:90:0		
1197	97	176	22:22:02.200	432DY6A	6RTSL2	NIMSEL,AACNCG,RT	NIMS R/T SELECT	4R3	4	0	4,015,528:30:0		
1198	97	176	22:22:41.533	165FU4B	7VECT		Inert vect update UTC	4R3	4	0	4,015,528:89:0		
1199	97	176	22:25:02.866	432DZ6A	6RTDS2	NIMDSL,AACNCG,RT	NIMS R/T DESELECT	4R3	4	0	4,015,531:28:0		
1200	97	176	22:26:49.466	C9JNSRTAUR03-		-----STOP-----		4R3	4	0	0	0	0
1201	97	176	22:36:23.533	488Q6D	6TMSED	NORM,EL4	Sci, Eng, and D/L Chan	4R3	4	0	4,015,542:48:0		
1202	97	176	23:37:42.200	488Q6E	6TMSED	FILL,EL4	Sci, Eng, and D/L Chan	4R3	4	0	4,015,603:15:0		
1203	97	177	00:01:43.533	488R6A	6TMSED	FILL,EL5	Sci, Eng, and D/L Chan	4R3	4	0	4,015,626:84:0		
1204	97	177	00:34:34.866	488R6B	6TMSED	NORM,EL5	Sci, Eng, and D/L Chan	4R3	4	0	4,015,659:38:0		
1205	97	177	00:56:23.533	165CD4A	7SCAN	NORM,228.358999,	Check S/P Position	4R3	4	0	4,015,680:90:0		
1206	97	177	01:00:25.533	165CD4B	7VECT		Inert vect update UTC	4R3	4	0	4,015,684:89:0		
1207	97	177	01:30:36.200	165IF4A	7SCAN	NORM,221.272999,	Check S/P Position	4R3	4	0	4,015,714:75:0		
1208	97	177	01:33:52.866	118IF	SMOS	GS		4R3	4	0	4,015,718:06:0		

Line	YR	DOY	SCET - GMT	PSID	Command	Parameters	Description	GCM	GO	GS	RIM	MFI
1209	97	177	01:34:08.866		DMS:	: *US-RUNUP	P7, TRACK *1, *FWD, TIC 5555.63 +/-	4R3	4	0	4,015,718:30:0	
1210	97	177	01:34:08.866	175IE422A6A	6DMSC	R115.0	DMS Control Tape runup 115.2kb	4R3	4	0	4,015,718:30:0	
1211	97	177	01:34:10.266		DMS:	: *US_AT_SP	P7, TRACK 1, FWD, TIC *5555.75 +/-	4R3	4	0	4,015,718:32:1	
1212	97	177	01:34:15.533		DMS:	: *US_RD	P7, TRACK 1, FWD, TIC *5556.98 +/-	4R3	4	0	4,015,718:40:0	
1213	97	177	01:34:16.733		DMS:	: *RINUP	R115, TRACK *2, *REV, TIC *5557.04 +/-	4R3	4	0	4,015,718:41:8	
1214	97	177	01:34:20.200	175IE176A6A	6TMREC	HIS	115.2 KBPS SSI + NIMS RECORD Record Mode	4R3	4	0	4,015,718:47:0	
1215	97	177	01:34:20.733		DMS:	: *AT_SPD	R115, TRACK 2, REV, TIC 5550.74 +/-	4R3	4	0	4,015,718:47:8	
1216	97	177	01:34:20.733		DMS:	: *RECORD	R115, TRACK 2, REV, TIC *5550.74 +/-	4R3	4	0	4,015,718:47:8	
1217	97	177	01:34:20.866	118IF110A111A4A	7STRP	0.00725,0.046,0	Slew = 3.01	4R3	4	0	4,015,718:48:0	
1218	97	177	01:34:51.533	118IF110A111A4B	7STRP	-0.014501,0.0072	Slew = 0.5,0	4R3	4	0	4,015,719:03:0	
1219	97	177	01:34:53.466	C9JNRTHOTS02-		-----START-----		4R3	4	0	:	:
1220	97	177	01:35:06.866	118IF110A111A4C	7STRP	0.00725,0.046,0	Slew = 3.01	4R3	4	0	4,015,719:26:0	
1221	97	177	01:35:37.533	118IF11A	SMOS	GE		4R3	4	0	4,015,719:72:0	
1222	97	177	01:35:49.533	165MC4A	7SCAN	NORM,224.191,-18	Check S/P Position	4R3	4	0	4,015,719:90:0	
1223	97	177	01:35:50.200		DMS:	: *RUNDOWN	R115, TRACK 2, REV, TIC *5236.21 +/-	4R3	4	0	4,015,720:00:0	
1224	97	177	01:35:50.200	175IE422A6B	6DMSC	RDY,0	DMS Control Tape stop	4R3	4	0	4,015,720:00:0	
1225	97	177	01:35:51.400		DMS:	: *READY	RDY, TRACK 2, REV, TIC *5235.21 +/-	4R3	4	0	4,015,720:01:8	
1226	97	177	01:36:10.200	432DQ6A	6RTSL2	NIMSEL,AACNCG,RT	NIMS R/T SELECT	4R3	4	0	4,015,720:30:0	
1227	97	177	01:39:10.866	432DR6A	6RTDS2	NIMDSL,AACNCG,RT	NIMS R/T DESELECT	4R3	4	0	4,015,723:28:0	
1228	97	177	01:40:03.466	C9JNRTHOTS02-		-----STOP-----		4R3	4	0	:	:
1229	97	177	01:41:53.533	165BC4A	7SCAN	NORM,240.521,-24	Check S/P Position	4R3	4	0	4,015,725:90:0	
1230	97	177	02:54:41.533	165CE4A	7SCAN	NORM,232.842999,	Check S/P Position	4R3	4	0	4,015,797:90:0	
1231	97	177	02:58:43.533	165CE4B	7VECT		Inert vect update UTC	4R3	4	0	4,015,801:89:0	
1232	97	177	03:27:07.466	C9JNSRTAUR06-		-----START-----		4R3	4	0	:	:
1233	97	177	03:28:03.533	165DM4A	7SCAN	NORM,225.875999,	Check S/P Position	4R3	4	0	4,015,830:90:0	
1234	97	177	03:31:26.200	432EE6A	6RTSL2	NIMSEL,AACNCG,RT	NIMS R/T SELECT	4R3	4	0	4,015,834:30:0	
1235	97	177	03:32:05.533	165DM4B	7VECT		Inert vect update UTC	4R3	4	0	4,015,834:89:0	
1236	97	177	03:34:26.866	432EF6A	6RTDS2	NIMDSL,AACNCG,RT	NIMS R/T DESELECT	4R3	4	0	4,015,837:28:0	
1237	97	177	03:36:13.466	C9JNSRTAUR06-		-----STOP-----		4R3	4	0	:	:
1238	97	177	03:40:11.533	165AA4A	7SCAN	NORM,228.146,-19	Check S/P Position	4R3	4	0	4,015,842:90:0	
1239	97	177	03:44:05.533	117AA	CSMOS	GS	***** GROUP START CSMOS	4R3	4	0	4,015,846:77:0	
1240	97	177	03:44:14.866	117AA105A106A4A	7STRP	0.0,0.0,0.0,0.0,0	Slew = 1.01	4R3	4	0	4,015,847:00:0	
1241	97	177	04:13:34.200	117AA105A106A4B	7STRP	0.012501,0.0,0,0	Slew = 12.01	4R3	4	0	4,015,876:00:0	
1242	97	177	04:14:34.866	117AA105A106A4C	7STRP	0.0,0.0,0.0,0,0	Slew = 1.01	4R3	4	0	4,015,877:00:0	
1243	97	177	04:43:54.200	117AA105A106A4D	7STRP	0.012501,0.0,0,0	Slew = 12.01	4R3	4	0	4,015,906:00:0	
1244	97	177	04:44:54.866	117AA105A106A4E	7STRP	0.0,0.0,0.0,0,0	Slew = 1.01	4R3	4	0	4,015,907:00:0	
1245	97	177	05:14:14.200	117AA105A106A4F	7STRP	0.012501,0.0,0,0	Slew = 12.01	4R3	4	0	4,015,936:00:0	
1246	97	177	05:15:14.866	117AA105A106A4G	7STRP	0.0,0.0,0.0,0,0	Slew = 1.01	4R3	4	0	4,015,937:00:0	
1247	97	177	05:44:34.200	117AA11A	CSMOS	GE	***** GROUP END CSMOS	4R3	4	0	4,015,966:00:0	
1248	97	177	05:51:35.533	488R6C	6TMSED	NORM,EL4	Sci. Eng. and D/L Chan	4R3	4	0	4,015,972:86:0	
1249	97	177	05:52:43.466	C9JNRTHOTS03-		-----START-----		4R3	4	0	:	:
1250	97	177	05:53:39.533	165MD4A	7SCAN	NORM,230.368999,	Check S/P Position	4R3	4	0	4,015,974:90:0	
1251	97	177	05:54:00.200	432DS6A	6RTSL2	NIMSEL,AACNCG,RT	NIMS R/T SELECT	4R3	4	0	4,015,975:30:0	
1252	97	177	05:57:00.866	432DT6A	6RTDS2	NIMDSL,AACNCG,RT	NIMS R/T DESELECT	4R3	4	0	4,015,978:28:0	
1253	97	177	05:58:03.466	C9JNRTHOTS03-		-----STOP-----		4R3	4	0	:	:
1254	97	177	05:58:42.866	165AG4A	7SCAN	NORM,229.389,-23	Check S/P Position	4R3	4	0	4,015,979:90:0	
1255	97	177	06:20:57.533	165IG4A	7SCAN	NORM,229.220999,	Check S/P Position	4R3	4	0	4,016,001:90:0	
1256	97	177	06:24:50.200		DMS:	: *US-RUNUP	P7, TRACK *1, *FWD, TIC 5235.21 +/-	4R3	4	0	4,016,005:75:0	
1257	97	177	06:24:50.200	175IF422A6A	6DMSC	R115.0	DMS Control Tape runup 115.2kb	4R3	4	0	4,016,005:75:0	
1258	97	177	06:24:51.600		DMS:	: *US_AT_SP	P7, TRACK 1, FWD, TIC *5235.33 +/-	4R3	4	0	4,016,005:77:1	
1259	97	177	06:24:52.866	118IG	SMOS	GS		4R3	4	0	4,016,005:79:0	
1260	97	177	06:24:56.866		DMS:	: *US_RD	P7, TRACK 1, FWD, TIC *5236.56 +/-	4R3	4	0	4,016,005:85:0	
1261	97	177	06:24:58.066		DMS:	: *RUNUP	R115, TRACK *2, *REV, TIC *5236.62 +/-	4R3	4	0	4,016,005:86:8	
1262	97	177	06:25:01.533	175IF176A6A	6TMREC	HIS	115.2 KBPS SSI + NIMS RECORD Record Mode	4R3	4	0	4,016,006:01:0	
1263	97	177	06:25:02.066		DMS:	: *AT_SPD	R115, TRACK 2, REV, TIC 5230.32 +/-	4R3	4	0	4,016,006:01:8	

Line	YR	DOY	SCET - GMT	PSID	Command	Parameters	Description	GCM	GO	GS	RIM	MFI
1264	97	177	06:25:02.066		DMS:	: *RECORD	R115, TRACK 2, REV, TIC *5230.32 +/-	4R3	4	0	4,016,006:01:8	
1265	97	177	06:25:02.866	118IG110A111A4A	7STRP	0.00725,0.0,0.46,0	Slew = 3.01	4R3	4	0	4,016,006:03:0	
1266	97	177	06:25:33.533	118IG110A111A4B	7STRP	-0.014501,0.0,0.0,	Slew = 0.5,0	4R3	4	0	4,016,006:49:0	
1267	97	177	06:25:48.866	118IG110A111A4C	7STRP	0.00725,0.0,0.46,0	Slew = 3.01	4R3	4	0	4,016,006:72:0	
1268	97	177	06:26:19.533	118IG110A111A4D	7STRP	-0.014501,0.0,0.0,	Slew = 0.5,0	4R3	4	0	4,016,007:27:0	
1269	97	177	06:26:34.866	118IG110A111A4E	7STRP	0.00725,0.0,0.46,0	Slew = 3.01	4R3	4	0	4,016,007:50:0	
1270	97	177	06:27:05.533	118IG110A111A4F	7STRP	-0.014501,0.0,0.0,	Slew = 0.5,0	4R3	4	0	4,016,008:05:0	
1271	97	177	06:27:20.866	118IG110A111A4G	7STRP	0.00725,0.0,0.46,0	Slew = 3.01	4R3	4	0	4,016,008:28:0	
1272	97	177	06:27:51.533	118IG111A	SMOS	GE		4R3	4	0	4,016,008:74:0	
1273	97	177	06:28:02.200	165AE4A	7SCAN	NORM,229:192999,	Check S/P Position	4R3	4	0	4,016,008:90:0	
1274	97	177	06:28:03.533	175IF422A6B	6DMSC	RDY,0	DMS Control Tape stop	4R3	4	0	4,016,009:01:0	
1275	97	177	06:28:03.533		DMS:	: *RUNDOWN	R115, TRACK 2, REV, TIC *4592.36 +/-	4R3	4	0	4,016,009:01:0	
1276	97	177	06:28:04.733		DMS:	: *READY	RDY, TRACK 2, REV, TIC *4591.36 +/-	4R3	4	0	4,016,009:02:8	
1277	97	177	06:28:54.200	117AE	CSMOS	GS	**** GROUP START CSMOS	4R3	4	0	4,016,009:77:0	
1278	97	177	06:29:03.533	117AE105A106A4A	7STRP	0.0,0.0,0.0,0.0,	Slew = 0.02	4R3	4	0	4,016,010:00:0	
1279	97	177	06:30:34.866	117AE105A106A4B	7STRP	0.007,0.0,0.0,0.0,	Slew = 12.01	4R3	4	0	4,016,011:46:0	
1280	97	177	06:31:04.866	117AE105A106A4C	7STRP	0.0,0.0,0.0,0.0,	Slew = 0.02	4R3	4	0	4,016,012:00:0	
1281	97	177	06:32:36.200	117AE105A106A4D	7STRP	0.007,0.0,0.0,0.0,	Slew = 12.01	4R3	4	0	4,016,013:46:0	
1282	97	177	06:33:06.200	117AE105A106A4E	7STRP	0.0,0.0,0.0,0.0,	Slew = 0.02	4R3	4	0	4,016,014:00:0	
1283	97	177	06:34:37.533	117AE11A	CSMOS	GE	**** GROUP END CSMOS	4R3	4	0	4,016,015:46:0	
1284	97	177	06:34:49.533	165AF4A	7SCAN	NORM,229:158998,	Check S/P Position	4R3	4	0	4,016,015:64:0	
1285	97	177	06:34:58.200	117AF	CSMOS	GS	**** GROUP START CSMOS	4R3	4	0	4,016,015:77:0	
1286	97	177	06:35:07.533	117AF105A106A4A	7STRP	0.017002,0.0,0.0,0	Slew = 0.02	4R3	4	0	4,016,016:00:0	
1287	97	177	06:39:10.200	411AC6A	6DMSC	R7,0	DMS Control Tape runup 7.68kps	4R3	4	0	4,016,020:00:0	
1288	97	177	06:39:10.200		DMS:	: *US-RUNUP	P7, TRACK *1, *FWD, TIC 4591.36 +/-	4R3	4	0	4,016,020:00:0	
1289	97	177	06:39:11.600		DMS:	: *US_AT_SP	P7, TRACK 1, FWD, TIC *4591.48 +/-	4R3	4	0	4,016,020:02:1	
1290	97	177	06:39:16.866		DMS:	: *US_RD	P7, TRACK 1, FWD, TIC *4592.71 +/-	4R3	4	0	4,016,020:10:0	
1291	97	177	06:39:18.066		DMS:	: *RUNUP	R7, TRACK *2, *REV, TIC *4592.77 +/-	4R3	4	0	4,016,020:11:8	
1292	97	177	06:39:19.466		DMS:	: *RECORD	R7, TRACK 2, REV, TIC *4592.65 +/-	4R3	4	0	4,016,020:13:9	
1293	97	177	06:39:19.466		DMS:	: *AT_SPD	R7, TRACK 2, REV, TIC 4592.65 +/-	4R3	4	0	4,016,020:13:9	
1294	97	177	06:39:20.200	411AC6B	6TMREC	BDT	7.68 KBPS BUFFER DUMP TO TAPE Record Mode	4R3	4	0	4,016,022:15:0	
1295	97	177	06:41:21.533	411AC6C	6TMREC	NRC	NO RECORD Record Mode Change	4R3	4	0	4,016,022:15:0	
1296	97	177	06:41:24.200	175TE176A6A	6TMREC	LPW	7.68 KBPS LOW RATE SCI PWS RECORD Record	4R3	4	0	4,016,022:19:0	
1297	97	177	06:41:24.866	175TE422A6A	6DMSC	R7,0	DMS Control Tape runup 7.68kps	4R3	4	0	4,016,022:20:0	
1298	97	177	06:41:31.533	175TE422A6B	6DMSC	RDY,0	DMS Control Tape stop	4R3	4	0	4,016,022:30:0	
1299	97	177	06:41:31.533		DMS:	: *RUNDOWN	R7, TRACK 2, REV, TIC *4561.70 +/-	4R3	4	0	4,016,022:30:0	
1300	97	177	06:41:32.733		DMS:	: *READY	RDY, TRACK 2, REV, TIC *4561.64 +/-	4R3	4	0	4,016,022:31:8	
1301	97	177	06:49:11.533	488S6A	6TMSED	NORM,EL5	Sci, Eng, and D/L Chan	4R3	4	0	4,016,029:83:0	
1302	97	177	06:50:48.200	117AF11A	CSMOS	GE	**** GROUP END CSMOS	4R3	4	0	4,016,031:46:0	
1303	97	177	07:01:24.200	165IH4A	7SCAN	NORM,237.75,-22.	Check S/P Position	4R3	4	0	4,016,041:90:0	
1304	97	177	07:03:16.200	175IG422A6A	6DMSC	R115,0	DMS Control Tape runup 115.2kb	4R3	4	0	4,016,043:76:0	
1305	97	177	07:03:16.200		DMS:	: *US-RUNUP	P7, TRACK *1, *FWD, TIC 4561.64 +/-	4R3	4	0	4,016,043:76:0	
1306	97	177	07:03:17.600		DMS:	: *US_AT_SP	P7, TRACK 1, FWD, TIC *4561.76 +/-	4R3	4	0	4,016,043:78:1	
1307	97	177	07:03:22.866		DMS:	: *US_RD	P7, TRACK 1, FWD, TIC *4562.99 +/-	4R3	4	0	4,016,043:86:0	
1308	97	177	07:03:24.066		DMS:	: *RUNUP	R115, TRACK *2, *REV, TIC *4563.05 +/-	4R3	4	0	4,016,043:87:8	
1309	97	177	07:03:24.866	165IH4B	7VECT		Inert vect update UTC	4R3	4	0	4,016,043:89:0	
1310	97	177	07:03:27.533	175IG176A6A	6TMREC	HCA	115.2 KBPS IMAGE(1-200) RECORD Record Mod	4R3	4	0	4,016,044:02:0	
1311	97	177	07:03:28.066		DMS:	: *AT_SPD	R115, TRACK 2, REV, TIC 4556.75 +/-	4R3	4	0	4,016,044:02:8	
1312	97	177	07:03:28.066		DMS:	: *RECORD	R115, TRACK 2, REV, TIC *4556.75 +/-	4R3	4	0	4,016,044:02:8	
1313	97	177	07:03:34.866	175IG422A6B	6DMSC	RDY,0	DMS Control Tape stop	4R3	4	0	4,016,044:13:0	
1314	97	177	07:03:34.866		DMS:	: *RUNDOWN	R115, TRACK 2, REV, TIC *4532.85 +/-	4R3	4	0	4,016,044:13:0	
1315	97	177	07:03:36.066		DMS:	: *READY	RDY, TRACK 2, REV, TIC *4531.85 +/-	4R3	4	0	4,016,044:14:8	
1316	97	177	07:04:26.200	165AH4A	7SCAN	NORM,231:143999,	Check S/P Position	4R3	4	0	4,016,044:90:0	
1317	97	177	07:15:25.533	488S6B	6TMSED	FILL,EL5	Sci, Eng, and D/L Chan	4R3	4	0	4,016,055:78:0	
1318	97	177	07:30:43.533	165AK4A	7SCAN	NORM,231:806,-23	Check S/P Position	4R3	4	0	4,016,070:90:0	

Line	YR	DOY	SCET - GMT	PSID	Command	Parameters	Description	GCM	GO	GS	RIM	MFI
1319	97	177	07:33:50.133	C9JNAURMAP01+		-----START-----		4R3	4	0	:	:
1320	97	177	07:36:07.533	432E16A	6RTSL2	NIMSELAACNCG.RT	NIMS R/T SELECT	4R3	4	0	4,016,076:30:0	
1321	97	177	07:39:08.200	432EJ6A	6RTDS2	NIMDSLAAACNCG.RT	NIMS R/T DESELECT	4R3	4	0	4,016,079:28:0	
1322	97	177	07:40:46.200	125LD4A	37MB	0,0,0,0,0,0	Selects mirror (spatial) edit table	4R3	4	0	4,016,080:84:0	
1323	97	177	07:40:46.200	125LD11A	NIMSINIT	GE	##### GROUP END INIT	4R3	4	0	4,016,080:84:0	
1324	97	177	07:40:46.200	125LD	NIMSINIT	GS	##### GROUP START INIT	4R3	4	0	4,016,080:84:0	
1325	97	177	07:49:31.533	488S6C	6TMSED	NORM:EL5	Sci, Eng, and D/L Chan	4R3	4	0	4,016,089:53:0	
1326	97	177	07:52:02.133	C9JNAURMAP01+		-----STOP-----		4R3	4	0	:	:
1327	97	177	07:52:58.200	165I14A	7SCAN	NORM:229.532999,	Check S/P Position	4R3	4	0	4,016,092:90:0	
1328	97	177	07:56:50.866		DMS:	:*US-RUNUP	P7, TRACK *1, *FWD, TIC 4531.85 +/-	4R3	4	0	4,016,096:75:0	
1329	97	177	07:56:50.866	175IH422A6A	6DMSC	R115.0	DMS Control Tape runup 115.2kb	4R3	4	0	4,016,096:75:0	
1330	97	177	07:56:52.266		DMS:	:*US_AT_SP	P7, TRACK 1, FWD, TIC *4531.97 +/-	4R3	4	0	4,016,096:77:1	
1331	97	177	07:56:53.533	118II	SMOS	GS		4R3	4	0	4,016,096:79:0	
1332	97	177	07:56:57.533		DMS:	:*US_RD	P7, TRACK 1, FWD, TIC *4533.20 +/-	4R3	4	0	4,016,096:85:0	
1333	97	177	07:56:58.733		DMS:	:*RUNUP	R115, TRACK *2, *REV, TIC *4533.26 +/-	4R3	4	0	4,016,096:86:8	
1334	97	177	07:57:02.200	175IH176A6A	6TMREC	HIS	115.2 KBPS SSI + NIMS RECORD Record Mode	4R3	4	0	4,016,097:01:0	
1335	97	177	07:57:02.733		DMS:	:*AT_SPD	R115, TRACK 2, REV, TIC 4526.96 +/-	4R3	4	0	4,016,097:01:8	
1336	97	177	07:57:02.733		DMS:	:*RECORD	R115, TRACK 2, REV, TIC *4526.96 +/-	4R3	4	0	4,016,097:01:8	
1337	97	177	07:57:03.533	118II10A111A4A	7STRP	0.00725,0.0,0.46,0	Slew =,3.01	4R3	4	0	4,016,097:03:0	
1338	97	177	07:57:34.200	118II10A111A4B	7STRP	-0.014501,0.0,0,0	Slew =0.5,0	4R3	4	0	4,016,097:49:0	
1339	97	177	07:57:49.533	118II10A111A4C	7STRP	0.00725,0.0,0.46,0	Slew =,3.01	4R3	4	0	4,016,097:72:0	
1340	97	177	07:58:20.200	118II10A111A4D	7STRP	-0.014501,0.0,0,0	Slew =0.5,0	4R3	4	0	4,016,098:27:0	
1341	97	177	07:58:35.533	118II10A111A4E	7STRP	0.00725,0.0,0.46,0	Slew =,3.01	4R3	4	0	4,016,098:50:0	
1342	97	177	07:59:06.200	118II10A111A4F	7STRP	-0.014501,0.0,0,0	Slew =0.5,0	4R3	4	0	4,016,099:05:0	
1343	97	177	07:59:21.533	118II10A111A4G	7STRP	0.00725,0.0,0.46,0	Slew =,3.01	4R3	4	0	4,016,099:28:0	
1344	97	177	07:59:52.200	118II11A	SMOS	GE		4R3	4	0	4,016,099:74:0	
1345	97	177	08:00:02.866	165A14A	7SCAN	NORM:229.588999,	Check S/P Position	4R3	4	0	4,016,099:90:0	
1346	97	177	08:00:03.533		DMS:	:*RUNDOWN	R115, TRACK 2, REV, TIC *3891.33 +/-	4R3	4	0	4,016,100:00:0	
1347	97	177	08:00:03.533	175IH422A6B	6DMSC	RDY,0	DMS Control Tape stop	4R3	4	0	4,016,100:00:0	
1348	97	177	08:00:04.733		DMS:	:*READY	RDY, TRACK 2, REV, TIC *3890.33 +/-	4R3	4	0	4,016,100:01:8	
1349	97	177	08:00:54.866	117AI	CSMOS	GS	**** GROUP START CSMOS	4R3	4	0	4,016,100:77:0	
1350	97	177	08:01:04.200	117AI105A106A4A	7STRP	0.0,0.0,0.0,0.0,0	Slew = 0.02	4R3	4	0	4,016,101:00:0	
1351	97	177	08:02:35.533	117AI105A106A4B	7STRP	0.007,0.0,0.0,0,0	Slew =12.01	4R3	4	0	4,016,102:46:0	
1352	97	177	08:03:05.533	117AI105A106A4C	7STRP	0.0,0.0,0.0,0.0,0	Slew = 0.02	4R3	4	0	4,016,103:00:0	
1353	97	177	08:04:36.866	117AI105A106A4D	7STRP	0.007,0.0,0.0,0,0	Slew =12.01	4R3	4	0	4,016,104:46:0	
1354	97	177	08:05:06.866	117AI105A106A4E	7STRP	0.0,0.0,0.0,0.0,0	Slew =,0.02	4R3	4	0	4,016,105:00:0	
1355	97	177	08:06:38.200	117AI11A	CSMOS	GE	**** GROUP END CSMOS	4R3	4	0	4,016,106:46:0	
1356	97	177	08:06:50.200	165AJ4A	7SCAN	NORM:229.641998,	Check S/P Position	4R3	4	0	4,016,106:64:0	
1357	97	177	08:06:58.866	117AJ	CSMOS	GS	**** GROUP START CSMOS	4R3	4	0	4,016,106:77:0	
1358	97	177	08:07:08.200	117AJ105A106A4A	7STRP	0.016001,0.0,0,0	Slew = -0.02	4R3	4	0	4,016,107:00:0	
1359	97	177	08:22:48.866	117AJ11A	CSMOS	GE	**** GROUP END CSMOS	4R3	4	0	4,016,122:46:0	
1360	97	177	08:29:22.200	165BD4A	7SCAN	NORM:255.077,-24	Check S/P Position	4R3	4	0	4,016,128:90:0	
1361	97	177	08:59:42.200	165J4A	7SCAN	NORM:239.855,-22	Check S/P Position	4R3	4	0	4,016,158:90:0	
1362	97	177	09:03:37.533	118IJ	SMOS	GS		4R3	4	0	4,016,162:79:0	
1363	97	177	09:03:47.200	165J4B	7VECT		Inert vect update UTC	4R3	4	0	4,016,162:89:0	
1364	97	177	09:03:47.533	118IJ10A111A4A	7STRP	-0.0005,0.0,0.26,0	Slew =,3.01	4R3	4	0	4,016,163:03:0	
1365	97	177	09:04:01.533		DMS:	:*US-RUNUP	P7, TRACK *1, *FWD, TIC 3890.33 +/-	4R3	4	0	4,016,163:24:0	
1366	97	177	09:04:01.533	175IH422A6A	6DMSC	R115.0	DMS Control Tape runup 115.2kb	4R3	4	0	4,016,163:24:0	
1367	97	177	09:04:02.933		DMS:	:*US_AT_SP	P7, TRACK 1, FWD, TIC *3890.45 +/-	4R3	4	0	4,016,163:26:1	
1368	97	177	09:04:08.200		DMS:	:*US_RD	P7, TRACK 1, FWD, TIC *3891.69 +/-	4R3	4	0	4,016,163:34:0	
1369	97	177	09:04:09.400		DMS:	:*RUNUP	R115, TRACK *2, *REV, TIC *3891.75 +/-	4R3	4	0	4,016,163:35:8	
1370	97	177	09:04:12.866	175IH176A6A	6TMREC	HCA	115.2 KBPS IMAGE(1-200) RECORD Record Mod	4R3	4	0	4,016,163:41:0	
1371	97	177	09:04:13.400		DMS:	:*RECORD	R115, TRACK 2, REV, TIC *3885.45 +/-	4R3	4	0	4,016,163:41:8	
1372	97	177	09:04:13.400		DMS:	:*AT_SPD	R115, TRACK 2, REV, TIC 3885.45 +/-	4R3	4	0	4,016,163:41:8	
1373	97	177	09:04:13.533	118IJ11A	SMOS	GE		4R3	4	0	4,016,163:42:0	

Line	YR	DOY	SCET - GMT	PSID	Command	Parameters	Description	GCM	GO	GS	RIM	MFI
1374	97	177	09:04:20.200	175I422A6B	6DMSC	RDY,0	DMS Control Tape stop	4R3	4	0	4,016,163:52.0	
1375	97	177	09:04:20.200		DMS:	: *RUNDOWN	R115, TRACK 2, REV, TIC *3861.54 +/-	4R3	4	0	4,016,163:52.0	
1376	97	177	09:04:21.400		DMS:	: *READY	RDY, TRACK 2, REV, TIC *3860.54 +/-	4R3	4	0	4,016,163:53.8	
1377	97	177	09:05:46.200	165IK4A	7SCAN	NORM,229.261999,	Check S/P Position	4R3	4	0	4,016,164:90.0	
1378	97	177	09:09:41.533	118IK	SMOS	GS		4R3	4	0	4,016,168:79.0	
1379	97	177	09:09:48.200	165IK4B	7VECT		Inert vect update UTC	4R3	4	0	4,016,168:89.0	
1380	97	177	09:09:51.533	118IK110A111A4A	7STRP	-0.0005,0.0,0.26,0	Slew = 3.01	4R3	4	0	4,016,169:03.0	
1381	97	177	09:10:05.533	175U422A6A	6DMSC	R115,0	DMS Control Tape runup 115.2kb	4R3	4	0	4,016,169:24.0	
1382	97	177	09:10:05.533		DMS:	: *US-RUNUP	P7, TRACK *1, *FWD, TIC 3860.54 +/-	4R3	4	0	4,016,169:24.0	
1383	97	177	09:10:06.933		DMS:	: *US_AT_SP	P7, TRACK 1, FWD, TIC *3860.66 +/-	4R3	4	0	4,016,169:26.1	
1384	97	177	09:10:12.200		DMS:	: *US_RD	P7, TRACK 1, FWD, TIC *3861.90 +/-	4R3	4	0	4,016,169:34.0	
1385	97	177	09:10:13.400		DMS:	: *RUNUP	R115, TRACK *2, *REV, TIC *3861.96 +/-	4R3	4	0	4,016,169:35.8	
1386	97	177	09:10:16.866	175I176A6A	6TMREC	HCA	115.2 KBPS IMAGE(1-200)RECORD Record Mod	4R3	4	0	4,016,169:41.0	
1387	97	177	09:10:17.400		DMS:	: *RECORD	R115, TRACK 2, REV, TIC *3855.66 +/-	4R3	4	0	4,016,169:41.8	
1388	97	177	09:10:17.400		DMS:	: *AT_SPD	R115, TRACK 2, REV, TIC 3855.66 +/-	4R3	4	0	4,016,169:41.8	
1389	97	177	09:10:17.533	118IK11A	SMOS	GE		4R3	4	0	4,016,169:42.0	
1390	97	177	09:10:24.200	175U422A6B	6DMSC	RDY,0	DMS Control Tape stop	4R3	4	0	4,016,169:52.0	
1391	97	177	09:10:24.200		DMS:	: *RUNDOWN	R115, TRACK 2, REV, TIC *3831.75 +/-	4R3	4	0	4,016,169:52.0	
1392	97	177	09:10:25.400		DMS:	: *READY	RDY, TRACK 2, REV, TIC *3830.75 +/-	4R3	4	0	4,016,169:53.8	
1393	97	177	09:10:49.533	165BE4A	7SCAN	NORM,255.077,-24	Check S/P Position	4R3	4	0	4,016,169:90.0	
1394	97	177	10:45:00.200	488S6D	6TMSED	NORM,HL5	Sci, Eng, and D/L Chan	4R3	4	0	4,016,263:12.0	
1395	97	177	10:45:00.866	282NV432A431A6A	6RCDSL	DDSNCG,PLSDSL,EP	Record Deselect (DDS o	4R3	4	0	4,016,263:13.0	
1396	97	177	10:45:01.533	282NV432A6A	6RTSL1		R/T Select of DDS and	4R3	4	0	4,016,263:14.0	
1397	97	177	10:50:55.533	165IL4A	7SCAN	NORM,236.308998,	Check S/P Position	4R3	4	0	4,016,268:90.0	
1398	97	177	10:53:47.533		DMS:	: *US-RUNUP	P7, TRACK *1, *FWD, TIC 3830.75 +/-	4R3	4	0	4,016,271:75.0	
1399	97	177	10:53:47.533	175IK422A6A	6DMSC	R115,0	DMS Control Tape runup 115.2kb	4R3	4	0	4,016,271:75.0	
1400	97	177	10:53:48.933		DMS:	: *US_AT_SP	P7, TRACK 1, FWD, TIC *3830.87 +/-	4R3	4	0	4,016,271:77.1	
1401	97	177	10:53:50.200	118IL	SMOS	GS		4R3	4	0	4,016,271:79.0	
1402	97	177	10:53:54.200		DMS:	: *US_RD	P7, TRACK 1, FWD, TIC *3832.11 +/-	4R3	4	0	4,016,271:85.0	
1403	97	177	10:53:55.400		DMS:	: *RUNUP	R115, TRACK *2, *REV, TIC *3832.17 +/-	4R3	4	0	4,016,271:86.8	
1404	97	177	10:53:58.866	175IK176A6A	6TMREC	HIS	115.2 KBPS SSI + NIMS RECORD Record Mode	4R3	4	0	4,016,272:01.0	
1405	97	177	10:53:59.400		DMS:	: *AT_SPD	R115, TRACK 2, REV, TIC 3825.87 +/-	4R3	4	0	4,016,272:01.8	
1406	97	177	10:53:59.400		DMS:	: *RECORD	R115, TRACK 2, REV, TIC *3825.87 +/-	4R3	4	0	4,016,272:01.8	
1407	97	177	10:54:00.200	118IL110A111A4A	7STRP	0.00725,0.0,0.46,1	Slew = 3.01	4R3	4	0	4,016,272:03.0	
1408	97	177	10:54:50.866	118IL110A111B4A	7STRP	-0.021753,-0.007	Slew = 0.5,0	4R3	4	0	4,016,272:79.0	
1409	97	177	10:55:01.533	118IL110A111B4B	7STRP	0.00725,0.0,0.46,1	Slew = -3.01	4R3	4	0	4,016,273:04.0	
1410	97	177	10:55:06.200	118IL110A111A4B	7STRP	0.0,0.00725,0.0,0	Slew = 0.5,0	4R3	4	0	4,016,273:11.0	
1411	97	177	10:55:16.866	118IL110A111A4C	7STRP	0.00725,0.0,0.46,1	Slew = -3.01	4R3	4	0	4,016,273:27.0	
1412	97	177	10:56:07.533	118IL110A111B4C	7STRP	-0.021753,-0.007	Slew = 0.5,0	4R3	4	0	4,016,274:12.0	
1413	97	177	10:56:18.200	118IL110A111B4D	7STRP	0.00725,0.0,0.46,1	Slew = -3.01	4R3	4	0	4,016,274:28.0	
1414	97	177	10:56:22.866	118IL110A111A4D	7STRP	0.0,0.00725,0.0,0	Slew = 0.5,0	4R3	4	0	4,016,274:35.0	
1415	97	177	10:56:33.533	118IL110A111A4E	7STRP	0.00725,0.0,0.46,1	Slew = 3.01	4R3	4	0	4,016,274:51.0	
1416	97	177	10:57:24.200	118IL110A111B4E	7STRP	-0.021753,-0.007	Slew = 0.5,0	4R3	4	0	4,016,275:36.0	
1417	97	177	10:57:34.866	118IL110A111B4F	7STRP	0.00725,0.0,0.46,1	Slew = -3.01	4R3	4	0	4,016,275:52.0	
1418	97	177	10:57:39.533	118IL110A111A4F	7STRP	0.0,0.00725,0.0,0	Slew = 0.5,0	4R3	4	0	4,016,275:59.0	
1419	97	177	10:57:50.200	118IL110A111A4G	7STRP	0.00725,0.0,0.46,1	Slew = -3.01	4R3	4	0	4,016,275:75.0	
1420	97	177	10:58:40.866	118IL110A111B4G	7STRP	-0.021753,-0.007	Slew = 0.5,0	4R3	4	0	4,016,276:60.0	
1421	97	177	10:58:51.533	118IL110A111B4H	7STRP	0.00725,0.0,0.46,1	Slew = -3.01	4R3	4	0	4,016,276:76.0	
1422	97	177	10:58:56.200	118IL11A	SMOS	GE		4R3	4	0	4,016,276:83.0	
1423	97	177	10:59:00.866	165AL4A	7SCAN	NORM,236.259998,	Check S/P Position	4R3	4	0	4,016,276:90.0	
1424	97	177	10:59:02.200	175IK422A6B	6DMSC	RDY,0	DMS Control Tape stop	4R3	4	0	4,016,277:01.0	
1425	97	177	10:59:02.200		DMS:	: *RUNDOWN	R115, TRACK 2, REV, TIC *2761.33 +/-	4R3	4	0	4,016,277:01.0	
1426	97	177	10:59:03.400		DMS:	: *READY	RDY, TRACK 2, REV, TIC *2760.33 +/-	4R3	4	0	4,016,277:02.8	
1427	97	177	10:59:52.866	117AL	CSMOS	GS	***** GROUP START CSMOS	4R3	4	0	4,016,277:77.0	
1428	97	177	11:00:02.200	117AL105A106A4A	7STRP	0.0,0.0,0.0,0.0,0	Slew = -0.02	4R3	4	0	4,016,278:00.0	

Line	YR	DOY	SCET - GMT	PSID	Command	Parameters	Description	GCM	GO	GS	RIM	MFI
1429	97	177	11:01:33.533	117AL105A106A4B	7STRP	0.0075,0.0,0.0,0	Slew =12.01	4R3	4	0	4,016,279:46:0	
1430	97	177	11:02:03.533	117AL105A106A4C	7STRP	0.0,0.0,0.0,0.0	Slew = 0.02	4R3	4	0	4,016,280:00:0	
1431	97	177	11:03:34.866	117AL105A106A4D	7STRP	0.0075,0.0,0.0,0	Slew =12.01	4R3	4	0	4,016,281:46:0	
1432	97	177	11:04:04.866	117AL105A106A4E	7STRP	0.0,0.0,0.0,0.0	Slew = 0.02	4R3	4	0	4,016,282:00:0	
1433	97	177	11:04:14.866	488S6E	6TMSED	FILL,HL5	Sci, Eng, and D/L Chan	4R3	4	0	4,016,282:15:0	
1434	97	177	11:05:36.200	117AL105A106A4F	7STRP	0.0075,0.0,0.0,0	Slew =12.01	4R3	4	0	4,016,283:46:0	
1435	97	177	11:06:06.200	117AL105A106A4G	7STRP	0.0,0.0,0.0,0.0	Slew = 0.02	4R3	4	0	4,016,284:00:0	
1436	97	177	11:07:37.533	117AL105A106B4A	7STRP	-0.23004,-0.007	Slew =12.01	4R3	4	0	4,016,285:46:0	
1437	97	177	11:08:07.533	117AL105A106B4B	7STRP	0.0,0.0,0.0,0.0	Slew = 0.02	4R3	4	0	4,016,286:00:0	
1438	97	177	11:09:27.533	488T6A	6TMSED	FILL,HL8	Sci, Eng, and D/L Chan	4R3	4	0	4,016,287:29:0	
1439	97	177	11:09:38.866	117AL11A	CSMOS	GE	***** GROUP END CSMOS	4R3	4	0	4,016,287:46:0	
1440	97	177	11:09:44.866	165AM4A	7SCAN	NORM,236.237999,	Check S/P Position	4R3	4	0	4,016,287:55:0	
1441	97	177	11:09:59.533	117AM	CSMOS	GS	***** GROUP START CSMOS	4R3	4	0	4,016,287:77:0	
1442	97	177	11:10:08.866	117AM105A106A4A	7STRP	0.025005,0.0,0.0,0	Slew = 0.02	4R3	4	0	4,016,288:00:0	
1443	97	177	11:11:07.533	488T6B	6TMSED	NORM,HL8	Sci, Eng, and D/L Chan	4R3	4	0	4,016,288:88:0	
1444	97	177	11:21:20.866	C9NNGLOBAL01-		-----START-----		4R3	4	0	:	:
1445	97	177	11:22:20.866	20EB6A	6CKSUM	NIMS	NIMS,1000,14BC	4R3	4	0	4,016,300:06:0	
1446	97	177	11:23:21.533	20EB5A	37PL		Program Load (halts microprocessor & unwri	4R3	4	0	4,016,301:06:0	
1447	97	177	11:24:22.200	20EB5B	37MRL		Memory Realocate (software operates from R	4R3	4	0	4,016,302:06:0	
1448	97	177	11:25:22.866	20EB6B	6MCPY	NIMS	NIMS,1000,LLM1A,7300,77F7	4R3	4	0	4,016,303:06:0	
1449	97	177	11:26:23.533	20EB6C	6MCPY	NIMS	NIMS,1598,LLM1A,77F8,781D	4R3	4	0	4,016,304:06:0	
1450	97	177	11:27:24.200	20EB5C	37IRT		Instrument Reset (goes into POR state)	260	4	0	4,016,305:06:0	
1451	97	177	11:28:24.866	20EB5D	37MN		Memory Normal (software operates from ROM)	260	4	0	4,016,306:06:0	
1452	97	177	11:29:25.533	20EB4A	37IST	1,2,0,OFF,0,0,0	Chopper ON, Sync, Chopper (Ref)	2R0	4	0	4,016,307:06:0	
1453	97	177	11:30:26.200	20EB4B	37IOP	3,0	Long Map, Grating Start Position =00	2R3	4	0	4,016,308:06:0	
1454	97	177	11:31:26.866	C9NNGLOBAL01-		-----STOP-----		2R3	4	0	:	:
1455	97	177	11:32:54.200	117AM11A	CSMOS	GE	***** GROUP END CSMOS	2R3	4	0	4,016,310:46:0	
1456	97	177	11:47:37.533	C9NNGLOBAL01-		-----START-----		2R3	4	0	:	:
1457	97	177	11:48:33.533	165DI4A	7SCAN	NORM,268.294998,	Check S/P Position	2R3	4	0	4,016,325:90:0	
1458	97	177	11:49:30.200	125DI11A	NIMSINIT	GE	##### GROUP END INIT	2R3	4	0	4,016,326:84:0	
1459	97	177	11:49:30.200	125DI	NIMSINIT	GS	##### GROUP START INIT	2R3	4	0	4,016,326:84:0	
1460	97	177	11:49:30.200	125DI4A	37IST	1,2,0,OFF,0,1,2	Chopper ON, Sync, Chopper (Ref)Gain State	3R3	4	0	4,016,326:84:0	
1461	97	177	11:50:30.866	127DI	NIMSTAB	GS	%%-%-%-% GROUP START TAB	3R3	4	0	4,016,327:84:0	
1462	97	177	11:50:31.533	127DI4A	37ETB	07,C7,02,3C,00,0	Loads wavelength edit table	3R3	4	0	4,016,327:85:0	
1463	97	177	11:50:39.533	127DI11A	NIMSTAB	GE	%%-%-%-% GROUP END TAB	3R3	4	0	4,016,328:06:0	
1464	97	177	11:51:24.200		DMS:	:*US-RUNUP	P7, TRACK *1, *FWD, TIC *2760.33 +/-	3R3	4	0	4,016,328:73:0	
1465	97	177	11:51:24.200	175DI422A6A	6DMSC	R7:0	DMS Control Tape runup 7.68kps	3R3	4	0	4,016,328:73:0	
1466	97	177	11:51:25.600		DMS:	:*US AT SP	P7, TRACK 1, FWD, TIC *2760.45 +/-	3R3	4	0	4,016,328:75:1	
1467	97	177	11:51:26.866	117DI	CSMOS	GS	***** GROUP START CSMOS	3R3	4	0	4,016,328:77:0	
1468	97	177	11:51:30.866		DMS:	:*US RD	P7, TRACK 1, FWD, TIC *2761.69 +/-	3R3	4	0	4,016,328:83:0	
1469	97	177	11:51:32.066		DMS:	:*RUNUP	R7, TRACK *2, *REV, TIC *2761.75 +/-	3R3	4	0	4,016,328:84:8	
1470	97	177	11:51:32.866	175DI1176A6A	6TMREC	LPU	7.68 KBPS NIMS-UVS-PPR RECORD Record Mode	3R3	4	0	4,016,328:86:0	
1471	97	177	11:51:33.466		DMS:	:*RECORD	R7, TRACK 2, REV, TIC *2761.63 +/-	3R3	4	0	4,016,328:86:9	
1472	97	177	11:51:33.466		DMS:	:*AT SPD	R7, TRACK 2, REV, TIC 2761.63 +/-	3R3	4	0	4,016,328:86:9	
1473	97	177	11:51:34.866	165DI4B	7VECT		Inert vect update UTC	3R3	4	0	4,016,328:89:0	
1474	97	177	11:51:36.200	C9NNGLOBAL01-	NIMPBK	301DD	GLOBAL SURFACE MAP	3R3	4	0	:	:
1475	97	177	11:51:36.200	117DI105A106A4A	7STRP	-0.028207,0.0,0.0,	Slew = 0.03	3R3	4	0	4,016,329:00:0	
1476	97	177	12:04:44.897	C9NNGLOBAL01-	NIMPBK	301FU	GLOBAL SURFACE MAP	3R3	4	0	:	:
1477	97	177	12:05:24.897	C9NNGLOBAL01-	DESELC	300FU	GLOBAL SURFACE MAP	3R3	4	0	:	:
1478	97	177	12:07:20.866	117DI105A106A4B	7STRP	0.028207,-0.0085	Slew =12.01	3R3	4	0	4,016,344:52:0	
1479	97	177	12:07:29.533	117DI105A106A4C	7STRP	-0.028207,0.0,0.0,	Slew =,0.03	3R3	4	0	4,016,344:65:0	
1480	97	177	12:08:47.563	C9NNGLOBAL01-	NIMPBK	301FT	GLOBAL SURFACE MAP	3R3	4	0	:	:
1481	97	177	12:10:49.563	C9NNGLOBAL01-	DESELC	300FT	GLOBAL SURFACE MAP	3R3	4	0	:	:
1482	97	177	12:11:49.563	C9NNGLOBAL01-	NIMPBK	301FS	GLOBAL SURFACE MAP	3R3	4	0	:	:
1483	97	177	12:13:51.563	C9NNGLOBAL01-	DESELC	300FS	GLOBAL SURFACE MAP	3R3	4	0	:	:

Line	YR	DOY	SCET - GMT	PSID	Command	Parameters	Description	GCM	GO	GS	RIM	MFI
1484	97	177	12:20:55.563	C9NGLOBAL01-	NIMPBK	301FK	GLOBAL SURFACE MAP	3R3	4	0	:	:
1485	97	177	12:21:56.466	C9NGLOBAL01-	DESEL	300FK	GLOBAL SURFACE MAP	3R3	4	0	:	:
1486	97	177	12:23:14.200	117DI105A106A4D	7STRP	0.028207,-0.0085	Slew =12.01	3R3	4	0	4,016,360:26:0	
1487	97	177	12:23:22.866	117DI105A106A4E	7STRP	-0.028207,0.0,0,	Slew = 0.03	3R3	4	0	4,016,360:39:0	
1488	97	177	12:39:07.533	117DI11A	CSMOS	GE	**** GROUP END CSMOS	3R3	4	0	4,016,376:00:0	
1489	97	177	12:39:36.200	C9NGLOBAL01-	DESEL	300DD	GLOBAL SURFACE MAP	3R3	4	0	:	:
1490	97	177	12:39:46.200	175DI16A	6TMREC	NRC	NO RECORD Record Mode Change	3R3	4	0	4,016,376:58:0	
1491	97	177	12:39:46.200	175DI422A6B	6DMSC	RDY,0	DMS Control Tape stop	3R3	4	0	4,016,376:58:0	
1492	97	177	12:39:46.200		DMS:	: *RUNDOWN	R7, TRACK 2, REV, TIC *2083.64 +/-	3R3	4	0	4,016,376:58:0	
1493	97	177	12:39:47.400		DMS:	: *READY	RDY, TRACK 2, REV, TIC *2083.58 +/-	3R3	4	0	4,016,376:59:8	
1494	97	177	12:40:12.200	C9NGLOBAL01-		*****STOP*****		3R3	4	0	:	:
1495	97	177	12:41:08.200	165IM4A	7SCAN	NORM,237.492998,	Check S/P Position	3R3	4	0	4,016,377:90:0	
1496	97	177	12:45:00.866	175IL422A6A	6DMSC	R115,0	DMS Control Tape runup 115.2kb	3R3	4	0	4,016,381:75:0	
1497	97	177	12:45:00.866		DMS:	: *US-RUNUP	P7, TRACK *1, *FWD, TIC 2083.58 +/-	3R3	4	0	4,016,381:75:0	
1498	97	177	12:45:02.266		DMS:	: *US_AT_SP	P7, TRACK 1, FWD, TIC *2083.70 +/-	3R3	4	0	4,016,381:77:1	
1499	97	177	12:45:03.533	118IM	SMOS	GS		3R3	4	0	4,016,381:79:0	
1500	97	177	12:45:07.533		DMS:	: *US_RD	P7, TRACK 1, FWD, TIC *2084.94 +/-	3R3	4	0	4,016,381:85:0	
1501	97	177	12:45:08.733		DMS:	: *RUNUP	R115, TRACK *2, *REV, TIC *2085.00 +/-	3R3	4	0	4,016,381:86:8	
1502	97	177	12:45:12.200	175IL176A6A	6TMREC	HIS	115.2 KBPS SSI + NIMS RECORD Record Mode	3R3	4	0	4,016,382:01:0	
1503	97	177	12:45:12.733		DMS:	: *RECORD	R115, TRACK 2, REV, TIC *2078.70 +/-	3R3	4	0	4,016,382:01:8	
1504	97	177	12:45:12.733		DMS:	: *AT_SPD	R115, TRACK 2, REV, TIC 2078.70 +/-	3R3	4	0	4,016,382:01:8	
1505	97	177	12:45:13.533	118IM110A111A4A	7STRP	0.00725,0.0,46.0	Slew = 3.01	3R3	4	0	4,016,382:03:0	
1506	97	177	12:45:28.866	118IM110A111B4A	7STRP	-0.0085,0.00725,	Slew =0.5,0	3R3	4	0	4,016,382:26:0	
1507	97	177	12:45:44.200	118IM110A111B4B	7STRP	0.00725,0.0,46.0	Slew = 3.01	3R3	4	0	4,016,382:49:0	
1508	97	177	12:45:59.533	118IM110A111A4B	7STRP	-0.006,-0.00725,	Slew =0.5,0	3R3	4	0	4,016,382:72:0	
1509	97	177	12:46:14.866	118IM110A111A4C	7STRP	0.00725,0.0,46.0	Slew =,3.01	3R3	4	0	4,016,383:04:0	
1510	97	177	12:46:30.200	118IM110A111B4C	7STRP	-0.0085,0.00725,	Slew =0.5,0	3R3	4	0	4,016,383:27:0	
1511	97	177	12:46:45.533	118IM110A111B4D	7STRP	0.00725,0.0,46.0	Slew =,3.01	3R3	4	0	4,016,383:50:0	
1512	97	177	12:47:00.866	118IM110A111A4D	7STRP	-0.006,-0.00725,	Slew =0.5,0	3R3	4	0	4,016,383:73:0	
1513	97	177	12:47:16.200	118IM110A111A4E	7STRP	0.00725,0.0,46.0	Slew = 3.01	3R3	4	0	4,016,384:05:0	
1514	97	177	12:47:31.533	118IM110A111B4E	7STRP	-0.0085,0.00725,	Slew =0.5,0	3R3	4	0	4,016,384:28:0	
1515	97	177	12:47:46.866	118IM110A111B4F	7STRP	0.00725,0.0,46.0	Slew = 3.01	3R3	4	0	4,016,384:51:0	
1516	97	177	12:48:02.200	118IM110A111A4F	7STRP	-0.006,-0.00725,	Slew =0.5,0	3R3	4	0	4,016,384:74:0	
1517	97	177	12:48:17.533	118IM110A111A4G	7STRP	0.00725,0.0,46.0	Slew = 3.01	3R3	4	0	4,016,385:06:0	
1518	97	177	12:48:32.866	118IM110A111B4G	7STRP	-0.0085,0.00725,	Slew =0.5,0	3R3	4	0	4,016,385:29:0	
1519	97	177	12:48:48.200	118IM110A111B4H	7STRP	0.00725,0.0,46.0	Slew =,3.01	3R3	4	0	4,016,385:52:0	
1520	97	177	12:49:03.533	118IM11A	SMOS	GE		3R3	4	0	4,016,385:75:0	
1521	97	177	12:49:14.200	175IL422A6B	6DMSC	RDY,0	DMS Control Tape stop	3R3	4	0	4,016,386:00:0	
1522	97	177	12:49:14.200		DMS:	: *RUNDOWN	R115, TRACK 2, REV, TIC *1229.79 +/-	3R3	4	0	4,016,386:00:0	
1523	97	177	12:49:15.400		DMS:	: *READY	RDY, TRACK 2, REV, TIC *1228.79 +/-	3R3	4	0	4,016,386:01:8	
1524	97	177	12:50:14.200	165IN4A	7SCAN	NORM,247.646999,	Check S/P Position	3R3	4	0	4,016,386:90:0	
1525	97	177	12:54:09.533	118IN	SMOS	GS		3R3	4	0	4,016,390:79:0	
1526	97	177	12:54:16.200	165IN4B	7VECT		Inert vect update UTC	3R3	4	0	4,016,390:89:0	
1527	97	177	12:54:19.533	118IN110A111A4A	7STRP	-0.0005,0.0,26.0	Slew = 3.01	3R3	4	0	4,016,391:03:0	
1528	97	177	12:54:24.866		DMS:	: *US-RUNUP	P7, TRACK *1, *FWD, TIC 1228.79 +/-	3R3	4	0	4,016,391:11:0	
1529	97	177	12:54:24.866	175IM422A6A	6DMSC	R115,0	DMS Control Tape runup 115.2kb	3R3	4	0	4,016,391:11:0	
1530	97	177	12:54:26.266		DMS:	: *US_AT_SP	P7, TRACK 1, FWD, TIC *1228.91 +/-	3R3	4	0	4,016,391:13:1	
1531	97	177	12:54:31.533		DMS:	: *US_RD	P7, TRACK 1, FWD, TIC *1230.15 +/-	3R3	4	0	4,016,391:21:0	
1532	97	177	12:54:32.733		DMS:	: *RUNUP	R115, TRACK *2, *REV, TIC *1230.21 +/-	3R3	4	0	4,016,391:22:8	
1533	97	177	12:54:36.200	175IM176A6A	6TMREC	HCA	115.2 KBPS IMAGE(1-200)RECORD Record Mod	3R3	4	0	4,016,391:28:0	
1534	97	177	12:54:36.733		DMS:	: *RECORD	R115, TRACK 2, REV, TIC *1223.91 +/-	3R3	4	0	4,016,391:28:8	
1535	97	177	12:54:36.733		DMS:	: *AT_SPD	R115, TRACK 2, REV, TIC 1223.91 +/-	3R3	4	0	4,016,391:28:8	
1536	97	177	12:54:36.866	118IN11A	SMOS	GE		3R3	4	0	4,016,391:29:0	
1537	97	177	12:54:43.533	175IM422A6B	6DMSC	RDY,0	DMS Control Tape stop	3R3	4	0	4,016,391:39:0	
1538	97	177	12:54:43.533		DMS:	: *RUNDOWN	R115, TRACK 2, REV, TIC *1200.00 +/-	3R3	4	0	4,016,391:39:0	

Line	YR	DOY	SCET - GMT	PSID	Command	Parameters	Description	GCM	GO	GS	RIM	MFI
1539	97	177	12:54:44.733		DMS:	: *READY	RDY, TRACK 2, REV, TIC *1199.00 +/-	3R3	4	0	4,016,391:40:8	
1540	97	177	12:55:17.533	165IO4A	7SCAN	NORM,236.719,-21	Check S/P Position	3R3	4	0	4,016,391:90:0	
1541	97	177	12:59:12.866	118IO	SMOS	GS	Inert vect update UTC	3R3	4	0	4,016,395:79:0	
1542	97	177	12:59:19.533	165IO4B	7VECT		Slew = -3.01	3R3	4	0	4,016,395:89:0	
1543	97	177	12:59:22.866	118IO110A111A4A	7STRP	-0.0005,0.0,26.0	DMS Control Tape runup 115.2kb	3R3	4	0	4,016,396:03:0	
1544	97	177	12:59:28.200	175IN422A6A	6DMSC	R115.0	DMS Control Tape stop	3R3	4	0	4,016,396:11:0	
1545	97	177	12:59:28.200		DMS:	: *US-RUNUP	P7, TRACK *1, *FWD, TIC 1199.00 +/-	3R3	4	0	4,016,396:11:0	
1546	97	177	12:59:29.600		DMS:	: *US AT SP	P7, TRACK 1, FWD, TIC *1199.12 +/-	3R3	4	0	4,016,396:13:1	
1547	97	177	12:59:34.866		DMS:	: *US RD	P7, TRACK 1, FWD, TIC *1200.35 +/-	3R3	4	0	4,016,396:21:0	
1548	97	177	12:59:36.066		DMS:	: *RUNUP	R115, TRACK *2, *REV, TIC *1200.41 +/-	3R3	4	0	4,016,396:22:8	
1549	97	177	12:59:39.533	175IN176A6A	6TMREC	HCA	115.2 KBPS IMAGE(1-200) RECORD Record Mod	3R3	4	0	4,016,396:28:0	
1550	97	177	12:59:40.066		DMS:	: *AT SPD	R115, TRACK 2, REV, TIC 1194.11 +/-	3R3	4	0	4,016,396:28:8	
1551	97	177	12:59:40.066		DMS:	: *RECORD	R115, TRACK 2, REV, TIC *1194.11 +/-	3R3	4	0	4,016,396:28:8	
1552	97	177	12:59:40.200	118IO11A	SMOS	GE		3R3	4	0	4,016,396:29:0	
1553	97	177	12:59:47.533		DMS:	: *RUNDOWN	R115, TRACK 2, REV, TIC *1167.86 +/-	3R3	4	0	4,016,396:40:0	
1554	97	177	12:59:47.533	175IN422A6B	6DMSC	RDY,0	DMS Control Tape stop	3R3	4	0	4,016,396:40:0	
1555	97	177	12:59:48.733		DMS:	: *READY	RDY, TRACK 2, REV, TIC *1166.86 +/-	3R3	4	0	4,016,396:41:8	
1556	97	177	13:00:20.866	165AN4A	7SCAN	NORM,237.889999,	Check S/P Position	3R3	4	0	4,016,396:90:0	
1557	97	177	13:01:12.866	117AN	CSMOS	GS	***** GROUP START CSMOS	3R3	4	0	4,016,397:77:0	
1558	97	177	13:01:22.200	117AN105A106A4A	7STRP	0.0,0.0,0.0,0.0,	Slew = -0.02	3R3	4	0	4,016,398:00:0	
1559	97	177	13:02:53.533	117AN105A106A4B	7STRP	0.006,0.0,0.0,0.0,	Slew = 12.01	3R3	4	0	4,016,399:46:0	
1560	97	177	13:03:23.533	117AN105A106A4C	7STRP	0.0,0.0,0.0,0.0,	Slew = 0.02	3R3	4	0	4,016,400:00:0	
1561	97	177	13:04:54.866	117AN105A106B4A	7STRP	0.0,-0.0075,0.0,	Slew = 12.01	3R3	4	0	4,016,401:46:0	
1562	97	177	13:05:24.866	117AN105A106B4B	7STRP	0.0,0.0,0.0,0.0,	Slew = 0.02	3R3	4	0	4,016,402:00:0	
1563	97	177	13:06:56.200	117AN105A106C4A	7STRP	0.006,0.0,0.0,0.0,	Slew = 12.01	3R3	4	0	4,016,403:46:0	
1564	97	177	13:07:26.200	117AN105A106C4B	7STRP	0.0,0.0,0.0,0.0,	Slew = -0.02	3R3	4	0	4,016,404:00:0	
1565	97	177	13:08:57.533	117AN11A	CSMOS	GE	***** GROUP END CSMOS	3R3	4	0	4,016,405:46:0	
1566	97	177	13:09:09.533	165AO4A	7SCAN	NORM,239.323999,	Check S/P Position	3R3	4	0	4,016,405:64:0	
1567	97	177	13:20:30.200	125LI	NIMSINIT	GS	##### GROUP START INIT	3R3	4	0	4,016,416:84:0	
1568	97	177	13:20:30.200	125LI4A	37IST	0.2,0,OFF,0.1,1	Gain State 4	4R3	4	0	4,016,416:84:0	
1569	97	177	13:20:34.200	165AP4A	7SCAN	NORM,242.950998,	Check S/P Position	4R3	4	0	4,016,416:90:0	
1570	97	177	13:20:38.800	C9JNAURMAP02+		-----START-----		4R3	4	0	:	:
1571	97	177	13:21:30.866	125LI11A	NIMSINIT	GE	##### GROUP END INIT	4R3	4	0	4,016,417:84:0	
1572	97	177	13:21:30.866	125LI4B	37MB	1B,1B,0,0,0,0	Selects mirror (spatial) edit table	4R3	4	0	4,016,417:84:0	
1573	97	177	13:22:31.533	127LI	NIMSTAB	GS	%%%%% GROUP START TAB	4R3	4	0	4,016,418:84:0	
1574	97	177	13:22:32.200	127LI4A	37ETB	04,C4,35,FF,FF	Loads wavelength edit table	4R3	4	0	4,016,418:85:0	
1575	97	177	13:22:40.200	127LI11A	NIMSTAB	GE	%%%%% GROUP END TAB	4R3	4	0	4,016,419:06:0	
1576	97	177	13:22:56.200	432EO6A	6RTSL2	NIMSEL,AACNCG,RT	NIMS R/T SELECT	4R3	4	0	4,016,419:30:0	
1577	97	177	13:25:56.866	432EP6A	6RTDS2	NIMDSL,AACNCG,RT	NIMS R/T DESELECT	4R3	4	0	4,016,422:28:0	
1578	97	177	13:27:34.866	125LJ	NIMSINIT	GS	##### GROUP START INIT	4R3	4	0	4,016,423:84:0	
1579	97	177	13:27:34.866	125LJ4A	37MB	0,0,0,0,0,0	Selects mirror (spatial) edit table	4R3	4	0	4,016,423:84:0	
1580	97	177	13:27:34.866	125LJ11A	NIMSINIT	GE	##### GROUP END INIT	4R3	4	0	4,016,423:84:0	
1581	97	177	13:53:00.133	C9JNAURMAP02+		-----STOP-----		4R3	4	0	:	:
1582	97	177	13:53:56.200	165GL4A	7SCAN	NORM,283.281998,	Check S/P Position	4R3	4	0	4,016,449:90:0	
1583	97	177	13:57:50.200	117GL	CSMOS	GS	***** GROUP START CSMOS	4R3	4	0	4,016,453:77:0	
1584	97	177	13:57:58.200	165GL4B	7VECT		Inert vect update UTC	4R3	4	0	4,016,453:89:0	
1585	97	177	13:57:59.533	117GL105A106A4A	7STRP	-0.042025,0.0,0.0,	Slew = 0.48	4R3	4	0	4,016,454:00:0	
1586	97	177	13:57:59.533	176GL6A	6TMREC	BPT	7.68 KBPS PPR BURST TO TAPE Record Mode C	4R3	4	0	4,016,454:00:0	
1587	97	177	13:59:40.200	117GL105A106A4B	7STRP	0.042025,0.00127	Slew = 12.01	4R3	4	0	4,016,455:60:0	
1588	97	177	13:59:51.533	117GL105A106A4C	7STRP	-0.042025,0.0,0.0,	Slew = -0.48	4R3	4	0	4,016,455:77:0	
1589	97	177	14:01:32.200	117GL105A106A4D	7STRP	0.042025,0.00127	Slew = 12.01	4R3	4	0	4,016,457:46:0	
1590	97	177	14:01:43.533	117GL105A106A4E	7STRP	-0.042025,0.0,0.0,	Slew = 0.48	4R3	4	0	4,016,457:63:0	
1591	97	177	14:03:24.200	117GL105A106A4F	7STRP	0.042025,0.00127	Slew = 12.01	4R3	4	0	4,016,459:32:0	
1592	97	177	14:03:35.533	117GL105A106A4G	7STRP	-0.042025,0.0,0.0,	Slew = 0.48	4R3	4	0	4,016,459:49:0	
1593	97	177	14:05:16.200	117GL105A106A4H	7STRP	0.042025,0.00127	Slew = 12.01	4R3	4	0	4,016,461:18:0	

Line	YR	DOY	SCET - GMT	PSID	Command	Parameters	Description	GCM	GO	GS	RIM	MFI
1594	97	177	14:05:27.533	117GL105A106A41	7STRP	-0.042025.0.0.0,	Slew = 0.48	4R3	4	0	4,016,461:35.0	
1595	97	177	14:07:08.200	117GL105A106A4J	7STRP	0.042025.0.00127	Slew = 12.01	4R3	4	0	4,016,463:04.0	
1596	97	177	14:07:19.533	117GL105A106A4K	7STRP	-0.042025.0.0.0,	Slew = 0.48	4R3	4	0	4,016,463:21.0	
1597	97	177	14:09:00.200	117GL105A106A4L	7STRP	0.042025.0.00127	Slew = 12.01	4R3	4	0	4,016,464:81.0	
1598	97	177	14:09:11.533	117GL105A106A4M	7STRP	-0.042025.0.0.0,	Slew = 0.48	4R3	4	0	4,016,465:07.0	
1599	97	177	14:10:52.200	117GL105A106A4N	7STRP	0.042025.0.00127	Slew = 12.01	4R3	4	0	4,016,466:67.0	
1600	97	177	14:11:03.533	117GL105A106A4O	7STRP	-0.042025.0.0.0,	Slew = 0.48	4R3	4	0	4,016,466:84.0	
1601	97	177	14:12:44.200	117GL105A106A4P	7STRP	0.042025.0.00127	Slew = 12.01	4R3	4	0	4,016,468:53.0	
1602	97	177	14:12:55.533	117GL105A106A4Q	7STRP	-0.042025.0.0.0,	Slew = 0.48	4R3	4	0	4,016,468:70.0	
1603	97	177	14:14:36.200	117GL105A106A4R	7STRP	0.042025.0.00127	Slew = 12.01	4R3	4	0	4,016,470:39.0	
1604	97	177	14:14:47.533	117GL105A106A4S	7STRP	-0.042025.0.0.0,	Slew = 0.48	4R3	4	0	4,016,470:56.0	
1605	97	177	14:15:12.200	50ZZ6XX	6DMSC	R7.0	DMS Control Tape runup 7.68kps	4R3	4	0	4,016,471:02.0	
1606	97	177	14:15:12.200		DMS:	: *US-RUNUP	P7, TRACK *1, *FWD, TIC 1166.86 +/-	4R3	4	0	4,016,471:02.0	
1607	97	177	14:15:13.600		DMS:	: *US AT SP	P7, TRACK 1, FWD, TIC *1166.98 +/-	4R3	4	0	4,016,471:04.1	
1608	97	177	14:15:18.866		DMS:	: *US RD	P7, TRACK 1, FWD, TIC *1168.22 +/-	4R3	4	0	4,016,471:12.0	
1609	97	177	14:15:20.066		DMS:	: *RUNUP	R7, TRACK *2, *REV, TIC *1168.28 +/-	4R3	4	0	4,016,471:13.8	
1610	97	177	14:15:21.466		DMS:	: *AT SPD	R7, TRACK 2, REV, TIC *1168.16 +/-	4R3	4	0	4,016,471:15.9	
1611	97	177	14:15:47.533		DMS:	: *RECORD	R7, TRACK 2, REV, TIC *1162.05 +/-	4R3	4	0	4,016,471:55.0	
1612	97	177	14:16:10.200		DMS:	: *RUNDOWN	R7, TRACK 2, REV, TIC *1156.74 +/-	4R3	4	0	4,016,471:89.0	
1613	97	177	14:16:10.200	50ZZ6RE	6DMSC	RDY.0	DMS Control Tape stop	4R3	4	0	4,016,471:89.0	
1614	97	177	14:16:11.400		DMS:	: *READY	RDY, TRACK 2, REV, TIC *1156.68 +/-	4R3	4	0	4,016,471:90.8	
1615	97	177	14:16:28.200	117GL105A106A4T	7STRP	0.042025.0.00127	Slew = 12.01	4R3	4	0	4,016,472:25.0	
1616	97	177	14:16:39.533	117GL105A106A4U	7STRP	-0.042025.0.0.0,	Slew = 0.48	4R3	4	0	4,016,472:42.0	
1617	97	177	14:18:20.200	117GL105A106A4V	7STRP	0.042025.0.00127	Slew = 12.01	4R3	4	0	4,016,474:11.0	
1618	97	177	14:18:31.533	117GL105A106A4W	7STRP	-0.042025.0.0.0,	Slew = 0.48	4R3	4	0	4,016,474:28.0	
1619	97	177	14:20:12.200	117GL105A106A4X	7STRP	0.042025.0.00127	Slew = 12.01	4R3	4	0	4,016,475:88.0	
1620	97	177	14:20:23.533	117GL105A106A4Y	7STRP	-0.042025.0.0.0,	Slew = 0.48	4R3	4	0	4,016,476:14.0	
1621	97	177	14:22:04.200	117GL105A106A4Z	7STRP	0.042025.0.00127	Slew = 12.01	4R3	4	0	4,016,477:74.0	
1622	97	177	14:22:15.533	117GL105A106A4A	7STRP	-0.042025.0.0.0,	Slew = 0.48	4R3	4	0	4,016,478:00.0	
1623	97	177	14:23:56.200	117GL105A106A4AB	7STRP	0.042025.0.00127	Slew = 12.01	4R3	4	0	4,016,479:60.0	
1624	97	177	14:24:07.533	117GL105A106A4AC	7STRP	-0.042025.0.0.0,	Slew = 0.48	4R3	4	0	4,016,479:77.0	
1625	97	177	14:25:48.200	117GL105A106A4AD	7STRP	0.042025.0.00127	Slew = 12.01	4R3	4	0	4,016,481:46.0	
1626	97	177	14:25:59.533	117GL105A106A4AE	7STRP	-0.042025.0.0.0,	Slew = 0.48	4R3	4	0	4,016,481:63.0	
1627	97	177	14:27:40.200	117GL105A106A4AF	7STRP	0.042025.0.00127	Slew = 12.01	4R3	4	0	4,016,483:32.0	
1628	97	177	14:27:51.533	117GL105A106A4AG	7STRP	-0.042025.0.0.0,	Slew = 0.48	4R3	4	0	4,016,483:49.0	
1629	97	177	14:29:32.200	117GL105A106A4AH	7STRP	0.042025.0.00127	Slew = 12.01	4R3	4	0	4,016,485:18.0	
1630	97	177	14:29:43.533	117GL105A106A4AI	7STRP	-0.042025.0.0.0,	Slew = 0.48	4R3	4	0	4,016,485:35.0	
1631	97	177	14:31:24.200	117GL105A106A4AJ	7STRP	0.042025.0.00127	Slew = 12.01	4R3	4	0	4,016,487:04.0	
1632	97	177	14:31:35.533	117GL105A106A4AK	7STRP	-0.042025.0.0.0,	Slew = 0.48	4R3	4	0	4,016,487:21.0	
1633	97	177	14:33:03.533		DMS:	: *US-RUNUP	P7, TRACK *1, *FWD, TIC 1156.68 +/-	4R3	4	0	4,016,488:62.0	
1634	97	177	14:33:03.533	50ZZ6XX	6DMSC	R7.0	DMS Control Tape runup 7.68kps	4R3	4	0	4,016,488:62.0	
1635	97	177	14:33:04.933		DMS:	: *US AT SP	P7, TRACK 1, FWD, TIC *1156.80 +/-	4R3	4	0	4,016,488:64.1	
1636	97	177	14:33:10.200		DMS:	: *US RD	P7, TRACK 1, FWD, TIC *1158.03 +/-	4R3	4	0	4,016,488:72.0	
1637	97	177	14:33:11.400		DMS:	: *RUNUP	R7, TRACK *2, *REV, TIC *1158.09 +/-	4R3	4	0	4,016,488:73.8	
1638	97	177	14:33:12.800		DMS:	: *AT SPD	R7, TRACK 2, REV, TIC *1157.97 +/-	4R3	4	0	4,016,488:75.9	
1639	97	177	14:33:16.200	117GL105A106A4AL	7STRP	0.042025.0.00127	Slew = 12.01	4R3	4	0	4,016,488:81.0	
1640	97	177	14:33:27.533	117GL105A106A4AM	7STRP	-0.042025.0.0.0,	Slew = 0.48	4R3	4	0	4,016,489:07.0	
1641	97	177	14:33:38.200		DMS:	: *RECORD	R7, TRACK 2, REV, TIC *1152.02 +/-	4R3	4	0	4,016,489:23.0	
1642	97	177	14:34:00.866	50ZZ6RD	6DMSC	RDY.0	DMS Control Tape stop	4R3	4	0	4,016,489:57.0	
1643	97	177	14:34:00.866		DMS:	: *RUNDOWN	R7, TRACK 2, REV, TIC *1146.71 +/-	4R3	4	0	4,016,489:57.0	
1644	97	177	14:34:02.066		DMS:	: *READY	RDY, TRACK 2, REV, TIC *1146.65 +/-	4R3	4	0	4,016,489:58.8	
1645	97	177	14:35:08.200	117GL105A106A4AN	7STRP	0.042025.0.00127	Slew = 12.01	4R3	4	0	4,016,490:67.0	
1646	97	177	14:35:19.533	117GL105A106A4AO	7STRP	-0.042025.0.0.0,	Slew = 0.48	4R3	4	0	4,016,490:84.0	
1647	97	177	14:37:00.200	117GL105A106A4AP	7STRP	0.042025.0.00127	Slew = 12.01	4R3	4	0	4,016,492:53.0	
1648	97	177	14:37:11.533	117GL105A106A4AQ	7STRP	-0.042025.0.0.0,	Slew = 0.48	4R3	4	0	4,016,492:70.0	

Line	YR	DOY	SCET - GMT	PSID	Command	Parameters	Description	GCM	GO	GS	RIM	MFI
1649	97	177	14:38:52.200	117GL105A106A4AR	7STRP	0.042025,0.00127	Slew =12.01	4R3	4	0	4,016,494:39.0	
1650	97	177	14:39:03.533	117GL105A106A4AS	7STRP	-0.042025,0.0,0.	Slew = 0.48	4R3	4	0	4,016,494:56.0	
1651	97	177	14:40:44.200	117GL105A106A4AT	7STRP	0.042025,0.00127	Slew =12.01	4R3	4	0	4,016,496:25.0	
1652	97	177	14:40:55.533	117GL105A106A4AU	7STRP	-0.042025,0.0,0.	Slew = 0.48	4R3	4	0	4,016,496:42.0	
1653	97	177	14:42:36.200	117GL105A106A4AV	7STRP	0.042025,0.00127	Slew =12.01	4R3	4	0	4,016,498:11.0	
1654	97	177	14:42:47.533	117GL105A106A4AW	7STRP	-0.042025,0.0,0.	Slew =-0.48	4R3	4	0	4,016,498:28.0	
1655	97	177	14:44:28.200	117GL105A106A4AX	7STRP	0.042025,0.00127	Slew =12.01	4R3	4	0	4,016,499:88.0	
1656	97	177	14:44:39.533	117GL105A106A4AY	7STRP	-0.042025,0.0,0.	Slew =-0.48	4R3	4	0	4,016,500:14.0	
1657	97	177	14:46:20.200	117GL105A106A4AZ	7STRP	0.042025,0.00127	Slew =12.01	4R3	4	0	4,016,501:74.0	
1658	97	177	14:46:31.533	117GL105A106A4BA	7STRP	-0.042025,0.0,0.	Slew =-0.48	4R3	4	0	4,016,502:00.0	
1659	97	177	14:48:12.200	117GL105A106A4BB	7STRP	0.042025,0.00127	Slew =12.01	4R3	4	0	4,016,503:60.0	
1660	97	177	14:48:23.533	117GL105A106A4BC	7STRP	-0.042025,0.0,0.	Slew =-0.48	4R3	4	0	4,016,503:77.0	
1661	97	177	14:50:04.200	117GL105A106A4BD	7STRP	0.042025,0.00127	Slew =12.01	4R3	4	0	4,016,505:46.0	
1662	97	177	14:50:15.533	117GL105A106A4BE	7STRP	-0.042025,0.0,0.	Slew = 0.48	4R3	4	0	4,016,505:63.0	
1663	97	177	14:50:54.866		DMS:	: *US-RUNUP	P7, TRACK *1, *FWD, TIC 1146.65 +/-	4R3	4	0	4,016,506:31.0	
1664	97	177	14:50:56.266	50ZZ6XX	6DMSC	R7,0	DMS Control Tape runup 7.68kps	4R3	4	0	4,016,506:31.0	
1665	97	177	14:50:56.266		DMS:	: *US AT SP	P7, TRACK 1, FWD, TIC *1146.77 +/-	4R3	4	0	4,016,506:31.0	
1666	97	177	14:51:01.533		DMS:	: *US RD	P7, TRACK 1, FWD, TIC *1148.00 +/-	4R3	4	0	4,016,506:41.0	
1667	97	177	14:51:02.733		DMS:	: *RUNUP	R7, TRACK *2, *REV, TIC *1148.06 +/-	4R3	4	0	4,016,506:42.8	
1668	97	177	14:51:04.133		DMS:	: *AT SPD	R7, TRACK 2, REV, TIC *1147.94 +/-	4R3	4	0	4,016,506:44.9	
1669	97	177	14:51:29.533		DMS:	: *RECORD	R7, TRACK 2, REV, TIC *1141.99 +/-	4R3	4	0	4,016,506:83.0	
1670	97	177	14:51:52.200	50ZZ6RE	6DMSC	RDY,0	DMS Control Tape stop	4R3	4	0	4,016,507:26.0	
1671	97	177	14:51:52.200		DMS:	: *RUNDOWN	R7, TRACK 2, REV, TIC *1136.67 +/-	4R3	4	0	4,016,507:26.0	
1672	97	177	14:51:53.400		DMS:	: *READY	RDY, TRACK 2, REV, TIC *1136.61 +/-	4R3	4	0	4,016,507:27.8	
1673	97	177	14:51:56.200	117GL105A106A4BF	7STRP	0.042025,0.00127	Slew =12.01	4R3	4	0	4,016,507:32.0	
1674	97	177	14:52:07.533	117GL105A106A4BG	7STRP	-0.042025,0.0,0.	Slew =-0.48	4R3	4	0	4,016,507:49.0	
1675	97	177	14:53:48.200	117GL105A106A4BH	7STRP	0.042025,0.00127	Slew =12.01	4R3	4	0	4,016,509:18.0	
1676	97	177	14:53:59.533	117GL105A106A4BI	7STRP	-0.042025,0.0,0.	Slew =-0.48	4R3	4	0	4,016,509:35.0	
1677	97	177	14:55:40.200	117GL105A106A4BJ	7STRP	0.042025,0.00127	Slew =12.01	4R3	4	0	4,016,511:04.0	
1678	97	177	14:55:51.533	117GL105A106A4BK	7STRP	-0.042025,0.0,0.	Slew =-0.48	4R3	4	0	4,016,511:21.0	
1679	97	177	14:57:32.200	117GL105A106A4BL	7STRP	0.042025,0.00127	Slew =12.01	4R3	4	0	4,016,512:81.0	
1680	97	177	14:57:43.533	117GL105A106A4BM	7STRP	-0.042025,0.0,0.	Slew = 0.48	4R3	4	0	4,016,513:07.0	
1681	97	177	14:59:24.200	117GL105A106A4BN	7STRP	0.042025,0.00127	Slew =12.01	4R3	4	0	4,016,514:67.0	
1682	97	177	14:59:35.533	117GL105A106A4BO	7STRP	-0.042025,0.0,0.	Slew = 0.48	4R3	4	0	4,016,514:84.0	
1683	97	177	15:01:16.200	117GL105A106A4BP	7STRP	0.042025,0.00127	Slew =12.01	4R3	4	0	4,016,516:53.0	
1684	97	177	15:01:27.533	117GL105A106A4BQ	7STRP	-0.042025,0.0,0.	Slew =-0.48	4R3	4	0	4,016,516:70.0	
1685	97	177	15:03:08.200	117GL105A106A4BR	7STRP	0.042025,0.00127	Slew =12.01	4R3	4	0	4,016,518:39.0	
1686	97	177	15:03:19.533	117GL105A106A4BS	7STRP	-0.042025,0.0,0.	Slew =-0.48	4R3	4	0	4,016,518:56.0	
1687	97	177	15:05:00.200	117GL105A106A4BT	7STRP	0.042025,0.00127	Slew =12.01	4R3	4	0	4,016,520:25.0	
1688	97	177	15:05:11.533	117GL105A106A4BU	7STRP	-0.042025,0.0,0.	Slew =-0.48	4R3	4	0	4,016,520:42.0	
1689	97	177	15:06:52.200	117GL105A106A4BV	7STRP	0.042025,0.00127	Slew =12.01	4R3	4	0	4,016,522:11.0	
1690	97	177	15:07:03.533	117GL105A106A4BW	7STRP	-0.042025,0.0,0.	Slew = 0.48	4R3	4	0	4,016,522:28.0	
1691	97	177	15:08:44.200	117GL105A106A4BX	7STRP	0.042025,0.00127	Slew =12.01	4R3	4	0	4,016,523:88.0	
1692	97	177	15:08:46.200		DMS:	: *US-RUNUP	P7, TRACK *1, *FWD, TIC 1136.61 +/-	4R3	4	0	4,016,524:00.0	
1693	97	177	15:08:46.200	50ZZ6XX	6DMSC	R7,0	DMS Control Tape runup 7.68kps	4R3	4	0	4,016,524:00.0	
1694	97	177	15:08:47.600		DMS:	: *US AT SP	P7, TRACK 1, FWD, TIC *1136.73 +/-	4R3	4	0	4,016,524:02.1	
1695	97	177	15:08:52.866		DMS:	: *US RD	P7, TRACK 1, FWD, TIC *1137.97 +/-	4R3	4	0	4,016,524:10.0	
1696	97	177	15:08:54.066		DMS:	: *RUNUP	R7, TRACK *2, *REV, TIC *1138.03 +/-	4R3	4	0	4,016,524:11.8	
1697	97	177	15:08:55.466		DMS:	: *AT SPD	R7, TRACK 2, REV, TIC *1137.91 +/-	4R3	4	0	4,016,524:13.9	
1698	97	177	15:08:55.533	117GL105A106A4BY	7STRP	-0.042025,0.0,0.	Slew =-0.48	4R3	4	0	4,016,524:14.0	
1699	97	177	15:09:20.866		DMS:	: *RECORD	R7, TRACK 2, REV, TIC *1131.96 +/-	4R3	4	0	4,016,524:52.0	
1700	97	177	15:09:43.533		DMS:	: *RUNDOWN	R7, TRACK 2, REV, TIC *1126.64 +/-	4R3	4	0	4,016,524:86.0	
1701	97	177	15:09:43.533	50ZZ6RD	6DMSC	RDY,0	DMS Control Tape stop	4R3	4	0	4,016,524:86.0	
1702	97	177	15:09:44.733		DMS:	: *READY	RDY, TRACK 2, REV, TIC *1126.58 +/-	4R3	4	0	4,016,524:87.8	
1703	97	177	15:10:36.200	117GL105A106A4BZ	7STRP	0.042025,0.00127	Slew =12.01	4R3	4	0	4,016,525:74.0	

Line	YR	DOY	SCET - GMT	PSID	Command	Parameters	Description	GCM	GO	GS	RIM	MFI
1704	97	177	15:10:47.533	117GL105A106A4CA	7STRP	-0.042025.0.0.0,	Slew =-0.48	4R3	4	0	4,016,526:00:0	
1705	97	177	15:12:28.200	117GL105A106A4CB	7STRP	0.042025.0.00127	Slew =12.01	4R3	4	0	4,016,527:60:0	
1706	97	177	15:12:39.533	117GL105A106A4CC	7STRP	-0.042025.0.0.0,	Slew =-0.48	4R3	4	0	4,016,527:77:0	
1707	97	177	15:14:20.200	117GL105A106A4CD	7STRP	0.042025.0.00127	Slew =12.01	4R3	4	0	4,016,529:46:0	
1708	97	177	15:14:31.533	117GL105A106A4CE	7STRP	-0.042025.0.0.0,	Slew =-0.48	4R3	4	0	4,016,529:63:0	
1709	97	177	15:16:12.200	117GL105A106A4CF	7STRP	0.042025.0.00127	Slew =12.01	4R3	4	0	4,016,531:32:0	
1710	97	177	15:16:23.533	117GL105A106A4CG	7STRP	-0.042025.0.0.0,	Slew =-0.48	4R3	4	0	4,016,531:49:0	
1711	97	177	15:18:04.200	117GL105A106A4CH	7STRP	0.042025.0.00127	Slew =12.01	4R3	4	0	4,016,533:18:0	
1712	97	177	15:18:15.533	117GL105A106A4CI	7STRP	-0.042025.0.0.0,	Slew =-0.48	4R3	4	0	4,016,533:35:0	
1713	97	177	15:19:56.200	117GL105A106A4CJ	7STRP	0.042025.0.00127	Slew =12.01	4R3	4	0	4,016,535:04:0	
1714	97	177	15:20:07.533	117GL105A106A4CK	7STRP	-0.042025.0.0.0,	Slew =-0.48	4R3	4	0	4,016,535:21:0	
1715	97	177	15:21:48.200	117GL105A106A4CL	7STRP	0.042025.0.00127	Slew =12.01	4R3	4	0	4,016,536:81:0	
1716	97	177	15:21:59.533	117GL105A106A4CM	7STRP	-0.042025.0.0.0,	Slew =-0.48	4R3	4	0	4,016,537:07:0	
1717	97	177	15:23:40.200	117GL105A106A4CN	7STRP	0.042025.0.00127	Slew =12.01	4R3	4	0	4,016,538:67:0	
1718	97	177	15:23:51.533	117GL105A106A4CO	7STRP	-0.042025.0.0.0,	Slew =-0.48	4R3	4	0	4,016,538:84:0	
1719	97	177	15:25:32.200	117GL105A106A4CP	7STRP	0.042025.0.00127	Slew =12.01	4R3	4	0	4,016,540:53:0	
1720	97	177	15:25:43.533	117GL105A106A4CQ	7STRP	-0.042025.0.0.0,	Slew =-0.48	4R3	4	0	4,016,540:70:0	
1721	97	177	15:26:37.533		DMS:	: *US-RUNUP	P7, TRACK *1, *FWD, TIC 1126.58 +/-	4R3	4	0	4,016,541:60:0	
1722	97	177	15:26:37.533		6DMSC	R7,0	DMS Control Tape runup 7.68kps	4R3	4	0	4,016,541:60:0	
1723	97	177	15:26:38.933	50ZZ6XX	DMS:	: *US, AT SP	P7, TRACK 1, FWD, TIC *1126.70 +/-	4R3	4	0	4,016,541:62:1	
1724	97	177	15:26:44.200		DMS:	: *US, RD	P7, TRACK 1, FWD, TIC *1127.94 +/-	4R3	4	0	4,016,541:70:0	
1725	97	177	15:26:45.400		DMS:	: *RUNUP	R7, TRACK *2, *REV, TIC *1128.00 +/-	4R3	4	0	4,016,541:71:8	
1726	97	177	15:26:46.800		DMS:	: *AT SPD	R7, TRACK 2, REV, TIC *1127.88 +/-	4R3	4	0	4,016,541:73:9	
1727	97	177	15:27:12.200		DMS:	: *RECORD	R7, TRACK 2, REV, TIC *1121.92 +/-	4R3	4	0	4,016,542:21:0	
1728	97	177	15:27:24.200	117GL105A106A4CR	7STRP	0.042025.0.00127	Slew =12.01	4R3	4	0	4,016,542:39:0	
1729	97	177	15:27:34.866		DMS:	: *RUNDOWN	R7, TRACK 2, REV, TIC *1116.61 +/-	4R3	4	0	4,016,542:55:0	
1730	97	177	15:27:34.866	50ZZ6RE	6DMSC	RDY,0	DMS Control Tape stop	4R3	4	0	4,016,542:55:0	
1731	97	177	15:27:35.533	117GL105A106A4CS	7STRP	-0.042025.0.0.0,	Slew =-0.48	4R3	4	0	4,016,542:56:0	
1732	97	177	15:27:36.066		DMS:	: *READY	RDY, TRACK 2, REV, TIC *1116.55 +/-	4R3	4	0	4,016,542:56:8	
1733	97	177	15:29:16.200	117GL105A106A4CT	7STRP	0.042025.0.00127	Slew =12.01	4R3	4	0	4,016,544:25:0	
1734	97	177	15:29:27.533	117GL105A106A4CU	7STRP	-0.042025.0.0.0,	Slew =-0.48	4R3	4	0	4,016,544:42:0	
1735	97	177	15:31:08.200	117GL105A106A4CV	7STRP	0.042025.0.00127	Slew =12.01	4R3	4	0	4,016,546:11:0	
1736	97	177	15:31:19.533	117GL105A106A4CW	7STRP	-0.042025.0.0.0,	Slew =-0.48	4R3	4	0	4,016,546:28:0	
1737	97	177	15:33:00.200	117GL105A106A4CX	7STRP	0.042025.0.00127	Slew =12.01	4R3	4	0	4,016,547:88:0	
1738	97	177	15:33:11.533	117GL105A106A4CY	7STRP	-0.042025.0.0.0,	Slew =-0.48	4R3	4	0	4,016,548:14:0	
1739	97	177	15:34:52.200	117GL11A	CSMOS	GE	***** GROUP END CSMOS	4R3	4	0	4,016,549:74:0	
1740	97	177	15:35:03.533	176GL6B	6TMREC	NRC	NO RECORD Record Mode Change	4R3	4	0	4,016,550:00:0	
1741	97	177	15:35:05.533	50ZZ6XX	6DMSC	R7,0	DMS Control Tape runup 7.68kps	4R3	4	0	4,016,550:03:0	
1742	97	177	15:35:05.533		DMS:	: *US-RUNUP	P7, TRACK *1, *FWD, TIC 1116.55 +/-	4R3	4	0	4,016,550:03:0	
1743	97	177	15:35:06.933		DMS:	: *US, AT SP	P7, TRACK 1, FWD, TIC *1116.67 +/-	4R3	4	0	4,016,550:05:1	
1744	97	177	15:35:12.200		DMS:	: *US, RD	P7, TRACK 1, FWD, TIC *1117.91 +/-	4R3	4	0	4,016,550:13:0	
1745	97	177	15:35:13.400		DMS:	: *RUNUP	R7, TRACK *2, *REV, TIC *1117.97 +/-	4R3	4	0	4,016,550:14:8	
1746	97	177	15:35:14.800		DMS:	: *AT SPD	R7, TRACK 2, REV, TIC *1117.85 +/-	4R3	4	0	4,016,550:16:9	
1747	97	177	15:35:15.533		DMS:	: *RECORD	R7, TRACK 2, REV, TIC *1117.67 +/-	4R3	4	0	4,016,550:18:0	
1748	97	177	15:35:30.200	50ZZ6RD	6DMSC	RDY,0	DMS Control Tape stop	4R3	4	0	4,016,550:40:0	
1749	97	177	15:35:30.200		DMS:	: *RUNDOWN	R7, TRACK 2, REV, TIC *1114.24 +/-	4R3	4	0	4,016,550:40:0	
1750	97	177	15:35:31.400		DMS:	: *READY	RDY, TRACK 2, REV, TIC *1114.18 +/-	4R3	4	0	4,016,550:41:8	
1751	97	177	15:53:50.200	488T6C	6TMSED	FILL,HL8	Sci, Eng, and D/L Chan	4R3	4	0	4,016,568:52:0	
1752	97	177	15:55:20.800	C9ENCLIPSE01-		-----START-----		4R3	4	0	:	
1753	97	177	15:56:16.866	165DJ4A	7SCAN	NORM:270.760998,	Check S/P Position	4R3	4	0	4,016,570:90:0	
1754	97	177	15:59:14.866	127DJ4	NIMSTAB	GS	%:%%:%% GROUP START TAB	4R3	4	0	4,016,573:84:0	
1755	97	177	15:59:14.866	127DJ4A	37IOP	1,0	Full Map, Grating Start Position =00	4R1	4	0	4,016,573:84:0	
1756	97	177	15:59:15.533	127DJ4B	37ETB		Loads wavelength edit table	4R1	4	0	4,016,573:85:0	
1757	97	177	15:59:23.533	127DJ11A	NIMSTAB	GE	%:%%:%% GROUP END TAB	4R1	4	0	4,016,574:06:0	
1758	97	177	16:00:08.200	175DUJ422A6A	6DMSC	R7,0	DMS Control Tape runup 7.68kps	4R1	4	0	4,016,574:73:0	

Line	YR	DOY	SCET - GMT	PSID	Command	Parameters	Description	GCM	GO	GS	RIM	MFI
1759	97	177	16:00:08.200		DMS:	:US-RUNUP	P7, TRACK 1, *FWD, TIC 1114.18 +/-	4R1	4	0	4,016,574:730	
1760	97	177	16:00:09.600		DMS:	:US_AT_SP	P7, TRACK 1, FWD, TIC *1114.30 +/-	4R1	4	0	4,016,574:751	
1761	97	177	16:00:10.866	117DJ	CSMOS	GS	**** GROUP START CSMOS	4R1	4	0	4,016,574:770	
1762	97	177	16:00:14.866		DMS:	:US_RD	P7, TRACK 1, FWD, TIC *1115.53 +/-	4R1	4	0	4,016,574:830	
1763	97	177	16:00:16.066		DMS:	:RUNUP	R7, TRACK *2, *REV, TIC *1115.59 +/-	4R1	4	0	4,016,574:848	
1764	97	177	16:00:16.866	175DJ176A6A	6TMREC	LPU	7.68 KBPS NIMS-UVS-PPR RECORD Record Mode	4R1	4	0	4,016,574:860	
1765	97	177	16:00:17.466		DMS:	:AT SPD	R7, TRACK 2, REV, TIC 1115.47 +/-	4R1	4	0	4,016,574:869	
1766	97	177	16:00:17.466		DMS:	:RECORD	R7, TRACK 2, REV, TIC *1115.47 +/-	4R1	4	0	4,016,574:869	
1767	97	177	16:00:20.200	117DJ105A106A4A	7STRP	0.003,0,0,0,0,0,0	Slew = 0.06	4R1	4	0	4,016,575:000	
1768	97	177	16:00:20.200	C9ENCLIPSE01*	NIMPBK	301DE	EUROPA ECLIPSE PART 1	4R1	4	0	4,016,575:790	
1769	97	177	16:01:12.866	117DJ105A106A4B	7STRP	-0.0021,0,0,0,0,0,0	Slew = 0.1,4	4R1	4	0	4,016,575:870	
1770	97	177	16:01:18.200	117DJ105A106A4C	7STRP	0.003,0,0,0,0,0,0	Slew = 0.06	4R1	4	0	4,016,575:870	
1771	97	177	16:02:10.866	117DJ105A106A4D	7STRP	-0.0021,0,0,0,0,0,0	Slew = 0.1,4	4R1	4	0	4,016,576:750	
1772	97	177	16:02:16.200	117DJ105A106A4E	7STRP	0.003,0,0,0,0,0,0	Slew = 0.06	4R1	4	0	4,016,576:830	
1773	97	177	16:03:08.866	117DJ105A106A4F	7STRP	-0.0021,0,0,0,0,0,0	Slew = 0.1,4	4R1	4	0	4,016,577:710	
1774	97	177	16:03:14.200	117DJ105A106A4G	7STRP	0.003,0,0,0,0,0,0	Slew = 0.06	4R1	4	0	4,016,577:790	
1775	97	177	16:04:06.866	117DJ105A106A4H	7STRP	-0.0021,0,0,0,0,0,0	Slew = 0.1,4	4R1	4	0	4,016,578:670	
1776	97	177	16:04:12.200	117DJ105A106A4I	7STRP	0.003,0,0,0,0,0,0	Slew = 0.06	4R1	4	0	4,016,578:750	
1777	97	177	16:05:04.866	117DJ11A	CSMOS	GE	**** GROUP END CSMOS	4R1	4	0	4,016,579:630	
1778	97	177	16:05:25.533	C9ENCLIPSE01*	DESEL	300DE	EUROPA ECLIPSE PART 1	4R1	4	0	4,016,580:180	
1779	97	177	16:05:35.533	175DJ6A	6TMREC	NRC	NO RECORD Record Mode Change	4R1	4	0	4,016,580:180	
1780	97	177	16:05:35.533		DMS:	:RUNDOWN	R7, TRACK 2, REV, TIC *1040.92 +/-	4R1	4	0	4,016,580:180	
1781	97	177	16:05:35.533	175DJ422A6B	6DMSC	RDY,0	DMS Control Tape stop	4R1	4	0	4,016,580:180	
1782	97	177	16:05:36.733		DMS:	:READY	RDY, TRACK 2, REV, TIC *1040.86 +/-	4R1	4	0	4,016,580:198	
1783	97	177	16:06:23.533	165ME4A	7SCAN	NORM:271.528999,	Check S/P Position	4R1	4	0	4,016,580:900	
1784	97	177	16:06:28.134	C9ENRTECL101-		-----START-----		4R1	4	0	0	
1785	97	177	16:06:28.134	C9ENCLIPSE01-		-----STOP-----		4R1	4	0	0	
1786	97	177	16:07:20.200	125LS11A	NIMSINIT	GE	##### GROUP END INIT	4R1	4	0	4,016,581:840	
1787	97	177	16:07:20.200	125LS	NIMSINIT	GS	##### GROUP START INIT	4R1	4	0	4,016,581:840	
1788	97	177	16:07:20.200	125LS4A	37MB	1B,1B,0,0,0,0	Selects mirror (spatial) edit table	4R1	4	0	4,016,581:840	
1789	97	177	16:08:20.866	127LS	NIMSTAB	GS	%%%GROUP START TAB	4R1	4	0	4,016,582:840	
1790	97	177	16:08:20.866	127LS4A	37IOP	1,0	Full Map, Grating Start Position = 00	4R1	4	0	4,016,582:840	
1791	97	177	16:08:21.533	127LS4B	37ETB	04,C4,1B,FF,FF	Loads wavelength edit table	4R1	4	0	4,016,582:850	
1792	97	177	16:08:29.533	127LS11A	NIMSTAB	GE	%%GROUP END TAB	4R1	4	0	4,016,583:060	
1793	97	177	16:08:45.533	432EY6A	6RTSL2	NIMSEL,AACNCG,RT	NIMS R/T SELECT	4R1	4	0	4,016,583:300	
1794	97	177	16:09:16.866	117ME	CSMOS	GS	**** GROUP START CSMOS	4R1	4	0	4,016,583:770	
1795	97	177	16:09:26.200	117ME105A106A4A	7STRP	-0.0035,0,0,0,0,0,0	Slew = 0.03	4R1	4	0	4,016,584:000	
1796	97	177	16:11:27.533	117ME11A	CSMOS	GE	**** GROUP END CSMOS	4R1	4	0	4,016,586:000	
1797	97	177	16:11:31.467	C9ENRTECL101-		-----STOP-----		4R1	4	0	0	
1798	97	177	16:11:46.200	432EZ6A	6RTDS2	NIMDSL,AACNCG,RT	NIMS R/T DESELECT	4R1	4	0	4,016,586:280	
1799	97	177	16:13:24.200	125LT11A	NIMSINIT	GE	##### GROUP END INIT	4R1	4	0	4,016,587:840	
1800	97	177	16:13:24.200	125LT4A	37MB	0,0,0,0,0,0	Selects mirror (spatial) edit table	4R1	4	0	4,016,587:840	
1801	97	177	16:13:24.200	125LT	NIMSINIT	GS	##### GROUP START INIT	4R1	4	0	4,016,587:840	
1802	97	177	16:17:14.866	488T6D	6TMSED	NORM,HL8	Sci, Eng, and D/L Chan	4R1	4	0	4,016,591:660	
1803	97	177	16:19:32.200	165GO4A	7SCAN	NORM:315.365997,	Check S/P Position	4R1	4	0	4,016,593:900	
1804	97	177	16:23:26.200	117GO	CSMOS	GS	**** GROUP START CSMOS	4R1	4	0	4,016,597:770	
1805	97	177	16:23:34.200	165GO4B	7VECT		Inert vect update UTC	4R1	4	0	4,016,597:890	
1806	97	177	16:23:35.533	176GO6A	6TMREC	BPT	7.68 KBPS PPR BURST TO TAPE Record Mode C	4R1	4	0	4,016,598:000	
1807	97	177	16:23:35.533	117GO105A106A4A	7STRP	-0.007,0,001,0,0	Slew = 0.48	4R1	4	0	4,016,598:000	
1808	97	177	16:23:57.533	117GO105A106A4B	7STRP	0.0074,0,0005,0,	Slew = 12.01	4R1	4	0	4,016,598:330	
1809	97	177	16:24:09.533	117GO105A106A4C	7STRP	-0.007,0,001,0,0	Slew = 0.48	4R1	4	0	4,016,598:510	
1810	97	177	16:24:31.533	117GO105A106A4D	7STRP	0.0074,0,0005,0,	Slew = 12.01	4R1	4	0	4,016,598:840	
1811	97	177	16:24:43.533	117GO105A106A4E	7STRP	-0.007,0,001,0,0	Slew = 0.48	4R1	4	0	4,016,599:110	
1812	97	177	16:25:05.533	117GO105A106A4F	7STRP	0.0074,0,0005,0,	Slew = 12.01	4R1	4	0	4,016,599:440	
1813	97	177	16:25:17.533	117GO105A106A4G	7STRP	-0.007,0,001,0,0	Slew = 0.48	4R1	4	0	4,016,599:620	

Line	YR	DOY	SCET - GMT	PSID	Command	Parameters	Description	GCM	GO	GS	RIM	MFI
1814	97	177	16:25:39.533	117GO105A106A4H	7STRP	0.0074,0.0005,0,	Slew =12.01	4R1	4	0	4,016,600:04:0	
1815	97	177	16:25:51.533	117GO105A106A4I	7STRP	-0.007,0.001,0,0	Slew = 0.48	4R1	4	0	4,016,600:22:0	
1816	97	177	16:26:13.533	117GO105A106A4J	7STRP	0.0074,0.0005,0,	Slew =12.01	4R1	4	0	4,016,600:55:0	
1817	97	177	16:26:25.533	117GO105A106A4K	7STRP	-0.007,0.001,0,0	Slew = 0.48	4R1	4	0	4,016,600:73:0	
1818	97	177	16:26:47.533	117GO105A106A4L	7STRP	0.0074,0.0005,0,	Slew =12.01	4R1	4	0	4,016,601:15:0	
1819	97	177	16:26:59.533	117GO105A106A4M	7STRP	-0.007,0.001,0,0	Slew = 0.48	4R1	4	0	4,016,601:33:0	
1820	97	177	16:27:21.533	117GO105A106A4N	7STRP	0.0074,0.0005,0,	Slew =12.01	4R1	4	0	4,016,601:66:0	
1821	97	177	16:27:33.533	117GO105A106A4O	7STRP	-0.007,0.001,0,0	Slew = 0.48	4R1	4	0	4,016,601:84:0	
1822	97	177	16:27:55.533	117GO105A106A4P	7STRP	0.0074,0.0005,0,	Slew =12.01	4R1	4	0	4,016,602:26:0	
1823	97	177	16:28:07.533	117GO105A106A4Q	7STRP	-0.007,0.001,0,0	Slew = 0.48	4R1	4	0	4,016,602:44:0	
1824	97	177	16:28:29.533	117GO105A106A4R	7STRP	0.0074,0.0005,0,	Slew =12.01	4R1	4	0	4,016,602:77:0	
1825	97	177	16:28:41.533	117GO105A106A4S	7STRP	-0.007,0.001,0,0	Slew = 0.48	4R1	4	0	4,016,603:04:0	
1826	97	177	16:29:03.533	117GO105A106A4T	7STRP	0.0074,0.0005,0,	Slew =12.01	4R1	4	0	4,016,603:37:0	
1827	97	177	16:29:15.533	117GO105A106A4U	7STRP	-0.007,0.001,0,0	Slew = 0.48	4R1	4	0	4,016,603:55:0	
1828	97	177	16:29:37.533	117GO105A106A4V	7STRP	0.0074,0.0005,0,	Slew =12.01	4R1	4	0	4,016,603:88:0	
1829	97	177	16:29:49.533	117GO105A106A4W	7STRP	-0.007,0.001,0,0	Slew = 0.48	4R1	4	0	4,016,604:15:0	
1830	97	177	16:30:11.533	117GO105A106A4X	7STRP	0.0074,0.0005,0,	Slew =12.01	4R1	4	0	4,016,604:48:0	
1831	97	177	16:30:23.533	117GO105A106A4Y	7STRP	-0.007,0.001,0,0	Slew = 0.48	4R1	4	0	4,016,604:66:0	
1832	97	177	16:30:45.533	117GO105A106A4Z	7STRP	0.0074,0.0005,0,	Slew =12.01	4R1	4	0	4,016,605:08:0	
1833	97	177	16:30:57.533	117GO105A106A4A	7STRP	-0.007,0.001,0,0	Slew = 0.48	4R1	4	0	4,016,605:26:0	
1834	97	177	16:31:19.533	117GO105A106A4AB	7STRP	0.0074,0.0005,0,	Slew =12.01	4R1	4	0	4,016,605:59:0	
1835	97	177	16:31:31.533	117GO105A106A4AC	7STRP	-0.007,0.001,0,0	Slew = 0.48	4R1	4	0	4,016,605:77:0	
1836	97	177	16:31:53.533	117GO111A	CSMOS	GE	***** GROUP END CSMOS	4R1	4	0	4,016,606:19:0	
1837	97	177	16:34:42.866	176GO6B	6TMREC	NRC	NO RECORD Record Mode Change	4R1	4	0	4,016,609:00:0	
1838	97	177	16:34:44.866		DMS:	: *US-RUNUP	P7, TRACK *1, *FWD, TIC 1040.86 +/-	4R1	4	0	4,016,609:03:0	
1839	97	177	16:34:44.866	50ZZ6XX	6DMSC	R7,0	DMS Control Tape runup 7.68kps	4R1	4	0	4,016,609:03:0	
1840	97	177	16:34:46.266		DMS:	: *US AT SP	P7, TRACK 1, FWD, TIC *1040.98 +/-	4R1	4	0	4,016,609:05:1	
1841	97	177	16:34:51.533		DMS:	: *US RD	P7, TRACK 1, FWD, TIC *1042.22 +/-	4R1	4	0	4,016,609:13:0	
1842	97	177	16:34:52.733		DMS:	: *RUNUP	R7, TRACK *2, *REV, TIC *1042.28 +/-	4R1	4	0	4,016,609:14:8	
1843	97	177	16:34:54.133		DMS:	: *AT SPD	R7, TRACK 2, REV, TIC *1042.16 +/-	4R1	4	0	4,016,609:16:9	
1844	97	177	16:34:54.866		DMS:	: *RECORD	R7, TRACK 2, REV, TIC *1041.99 +/-	4R1	4	0	4,016,609:18:0	
1845	97	177	16:35:12.200		DMS:	: *RUNDOWN	R7, TRACK 2, REV, TIC *1037.92 +/-	4R1	4	0	4,016,609:44:0	
1846	97	177	16:35:12.200	50ZZ6RE	6DMSC	RDY,0	DMS Control Tape stop	4R1	4	0	4,016,609:44:0	
1847	97	177	16:35:13.400		DMS:	: *READY	RDY, TRACK 2, REV, TIC *1037.86 +/-	4R1	4	0	4,016,609:45:8	
1848	97	177	16:35:47.533	C9HNDARK_02-		-----START-----		4R1	4	0	:	:
1849	97	177	16:36:43.533	165DK4A	7SCAN	NORM,259.005997,	Check S/P Position	4R1	4	0	4,016,610:90:0	
1850	97	177	16:38:40.866	125DK	NIMSINIT	GS	##### GROUP START INIT	4R1	4	0	4,016,612:84:0	
1851	97	177	16:38:40.866	125DK11A	NIMSINIT	GE	##### GROUP END INIT	4R1	4	0	4,016,612:84:0	
1852	97	177	16:38:40.866	125DK4A	37IST	1,2,0,OFF,0,1,0	Chopper ON, Sync, Chopper (Ref)Gain State	2R1	4	0	4,016,612:84:0	
1853	97	177	16:39:41.533	127DK	NIMSTAB	GS	%% %% %% GROUP START TAB	2R1	4	0	4,016,613:84:0	
1854	97	177	16:39:41.533	127DK4A	37IOP	3,0	Long Map, Grating Start Position =00	2R3	4	0	4,016,613:84:0	
1855	97	177	16:39:42.200	127DK4B	37ETB	0A,CA,1D,FF,FF,0	Loads wavelength edit table	2R3	4	0	4,016,613:85:0	
1856	97	177	16:39:50.200	127DK11A	NIMSTAB	GE	%% %% %% GROUP END TAB	2R3	4	0	4,016,614:06:0	
1857	97	177	16:40:34.866	175DK422A6A	6DMSC	R7,0	DMS Control Tape runup 7.68kps	2R3	4	0	4,016,614:73:0	
1858	97	177	16:40:34.866		DMS:	: *US-RUNUP	P7, TRACK *1, *FWD, TIC 1037.86 +/-	2R3	4	0	4,016,614:73:0	
1859	97	177	16:40:36.266		DMS:	: *US AT SP	P7, TRACK 1, FWD, TIC *1037.98 +/-	2R3	4	0	4,016,614:75:1	
1860	97	177	16:40:37.533	117DK	CSMOS	GS	***** GROUP START CSMOS	2R3	4	0	4,016,614:77:0	
1861	97	177	16:40:41.533		DMS:	: *US RD	P7, TRACK 1, FWD, TIC *1039.22 +/-	2R3	4	0	4,016,614:83:0	
1862	97	177	16:40:42.733		DMS:	: *RUNUP	R7, TRACK *2, *REV, TIC *1039.28 +/-	2R3	4	0	4,016,614:84:8	
1863	97	177	16:40:43.533	175DK176A6A	6TMREC	LPU	7.68 KBPS NIMS-UVS-PPR Record Mode	2R3	4	0	4,016,614:86:0	
1864	97	177	16:40:44.133		DMS:	: *RECORD	R7, TRACK 2, REV, TIC *1039.16 +/-	2R3	4	0	4,016,614:86:9	
1865	97	177	16:40:44.133		DMS:	: *AT SPD	R7, TRACK 2, REV, TIC 1039.16 +/-	2R3	4	0	4,016,614:86:9	
1866	97	177	16:40:46.866	C9HNDARK_02-	NIMPBK	301DF	NIMS DARK OBSERVATION	2R3	4	0	:	:
1867	97	177	16:40:46.866	117DK105A106A4A	7STRP	-0.0017,0.00,0,0,	Slew = 0.03	2R3	4	0	4,016,615:00:0	
1868	97	177	16:41:46.866	C9HNDARK_02-	DESEL	300DF	NIMS DARK OBSERVATION	2R3	4	0	:	:

Line	YR	DOY	SCET - GMT	PSID	Command	Parameters	Description	GCM	GO	GS	RIM	MFI
1869	97	177	16:41:47.533	117DK11A	CSMOS	GE	***** GROUP END CSMOS	2R3	4	0	4,016,616:00:0	
1870	97	177	16:41:51.533	C9HNDARK_02-	6DMSC	RDY,0	DMS Control Tape stop	2R3	4	0	4,016,616:17:0	
1871	97	177	16:41:58.866	175DK422A6B	DMS:	: *RUNDOWN	R7, TRACK 2, REV, TIC *1021.64 +/-	2R3	4	0	4,016,616:17:0	
1872	97	177	16:41:58.866	175DK6A	6TMREC	NRC	NO RECORD Record Mode Change	2R3	4	0	4,016,616:17:0	
1873	97	177	16:41:58.866	175DK6A	DMS:	: *READY	RDY, TRACK 2, REV, TIC *1021.58 +/-	2R3	4	0	4,016,616:18:0	
1874	97	177	16:42:00.066	165IP4A	7SCAN	NORM,248.868999,	Check S/P Position	2R3	4	0	4,016,616:90:0	
1875	97	177	16:42:47.533	118IP	SMOS	GS		2R3	4	0	4,016,621:06:0	
1876	97	177	16:46:54.866	118IP	DMS:	: *US-RUNUP	P7, TRACK *1, *FWD, TIC 1021.58 +/-	2R3	4	0	4,016,621:07:0	
1877	97	177	16:46:55.533	175IO422A6A	6DMSC	R15:0	DMS Control Tape runup 115.2kb	2R3	4	0	4,016,621:07:0	
1878	97	177	16:46:55.533	175IO422A6A	DMS:	: *US_AT_SP	P7, TRACK 1, FWD, TIC *1021.70 +/-	2R3	4	0	4,016,621:09:0	
1879	97	177	16:46:56.933		DMS:	: *US_RD	P7, TRACK 1, FWD, TIC *1022.94 +/-	2R3	4	0	4,016,621:17:0	
1880	97	177	16:47:02.200		DMS:	: *RUNUP	R115, TRACK *2, REV, TIC *1023.00 +/-	2R3	4	0	4,016,621:18:0	
1881	97	177	16:47:03.400		6TMREC	HIS	115.2 KBPS SSI + NIMS RECORD Record Mode	2R3	4	0	4,016,621:24:0	
1882	97	177	16:47:06.866	175IO176A6A	DMS:	: *RECORD	R115, TRACK 2, REV, TIC *1016.70 +/-	2R3	4	0	4,016,621:24:8	
1883	97	177	16:47:07.400		DMS:	: *AT_SPD	R115, TRACK 2, REV, TIC 1016.70 +/- 1	2R3	4	0	4,016,621:26:0	
1884	97	177	16:47:07.400		7STRP	0.00725,0.0,0.46,0	Slew = ,3.01	2R3	4	0	4,016,621:26:0	
1885	97	177	16:47:08.200	118IP110A111A4A	SMOS	GE		2R3	4	0	4,016,621:72:0	
1886	97	177	16:47:38.866	118IP11A	DMS:	: *RUNDOWN	R115, TRACK 2, REV, TIC * 859.20 +/- 1	2R3	4	0	4,016,622:01:0	
1887	97	177	16:47:52.200	175IO422A6B	6DMSC	RDY,0	DMS Control Tape stop	2R3	4	0	4,016,622:01:0	
1888	97	177	16:47:52.200		DMS:	: *READY	RDY, TRACK 2, REV, TIC * 858.20 +/- 1	2R3	4	0	4,016,622:02:8	
1889	97	177	16:47:53.400		DMS:	: *START		2R3	4	0	4,016,622:02:8	
1890	97	177	16:47:55.533	C9GNDRKLIT01-	7SCAN	NORM,325.105,-13	Check S/P Position	2R3	4	0	4,016,622:90:0	
1891	97	177	16:48:51.533	165DL4A	NIMSINIT	GE	##### GROUP END INIT	2R3	4	0	4,016,624:84:0	
1892	97	177	16:50:48.866	125DL11A	NIMSINIT	GS	##### GROUP START INIT	2R3	4	0	4,016,624:84:0	
1893	97	177	16:50:48.866	125DL	37IST	1,2,0,OFF,0,1,2	Chopper ON, Sync, Chopper (Ref)Gain State	3R3	4	0	4,016,624:84:0	
1894	97	177	16:50:48.866	125DL4A	NIMSTAB	GS	%%%%% GROUP START TAB	3R3	4	0	4,016,625:84:0	
1895	97	177	16:51:49.533	127DL	37ETB	07,C7,02,3C,00,0	Loads wavelength edit table	3R3	4	0	4,016,625:85:0	
1896	97	177	16:51:50.200	127DL4A	NIMSTAB	GE	%%%%% GROUP END TAB	3R3	4	0	4,016,626:06:0	
1897	97	177	16:51:58.200	127DL11A	6DMSC	R7,0	DMS Control Tape runup 7.68kps	3R3	4	0	4,016,626:73:0	
1898	97	177	16:52:42.866	175DL422A6A	DMS:	: *US-RUNUP	P7, TRACK *1, *FWD, TIC 858.20 +/- 1	3R3	4	0	4,016,626:73:0	
1899	97	177	16:52:42.866		DMS:	: *US_AT_SP	P7, TRACK 1, FWD, TIC * 858.32 +/- 1	3R3	4	0	4,016,626:75:1	
1900	97	177	16:52:44.266		CSMOS	GS	***** GROUP START CSMOS	3R3	4	0	4,016,626:77:0	
1901	97	177	16:52:45.533	117DL	DMS:	: *US_RD	P7, TRACK 1, FWD, TIC * 859.55 +/- 1	3R3	4	0	4,016,626:83:0	
1902	97	177	16:52:49.533		DMS:	: *RUNUP	R7, TRACK *2, *REV, TIC * 859.61 +/- 1	3R3	4	0	4,016,626:84:8	
1903	97	177	16:52:50.733	175DL176A6A	6TMREC	LPU	7.68 KBPS NIMS-UVS-PPR RECORD Record Mode	3R3	4	0	4,016,626:86:0	
1904	97	177	16:52:51.533		DMS:	: *RECORD	R7, TRACK 2, REV, TIC * 859.49 +/- 1	3R3	4	0	4,016,626:86:9	
1905	97	177	16:52:52.133		DMS:	: *AT_SPD	R7, TRACK 2, REV, TIC 859.49 +/- 1	3R3	4	0	4,016,626:86:9	
1906	97	177	16:52:52.133		7VECT	165DL4B	Inert vect update UTC	3R3	4	0	4,016,626:89:0	
1907	97	177	16:52:53.533		C9GNDRKLIT01-	NIMPBK	DARK AND LIGHT TRANSITION	3R3	4	0	4,016,627:00:0	
1908	97	177	16:52:54.866	C9GNDRKLIT01-	301DG	301FI	Slew = 0.03	3R3	4	0	4,016,633:71:0	
1909	97	177	16:52:54.866	117DL105A106A4A	7STRP	0.012101,0.0003,		3R3	4	0	4,016,634:00:0	
1910	97	177	16:59:46.200	117DL105A106B4A	7STRP	-0.025005,0.0060	Slew = 0.9.5	3R3	4	0	4,016,634:00:0	
1911	97	177	16:59:59.533	117DL105A106B4B	7STRP	0.03892,-0.00420	Slew = 0.03	3R3	4	0	4,016,634:00:0	
1912	97	177	17:04:02.219	C9GNDRKLIT01-	NIMPBK	301FI	DARK AND LIGHT TRANSITION	3R3	4	0	4,016,634:00:0	
1913	97	177	17:06:34.219	C9GNDRKLIT01-	DESEL	300FA	DARK AND LIGHT TRANSITION	3R3	4	0	4,016,634:00:0	
1914	97	177	17:08:10.000	C9GNDRKLIT01-	NIMPBK	300FA	DARK AND LIGHT TRANSITION	3R3	4	0	4,016,634:00:0	
1915	97	177	17:09:10.667	C9GNDRKLIT01-	DESEL	300FA	DARK AND LIGHT TRANSITION	3R3	4	0	4,016,634:00:0	
1916	97	177	17:18:30.000	C9GNDRKLIT01-	NIMPBK	301FV	DARK AND LIGHT TRANSITION	3R3	4	0	4,016,634:00:0	
1917	97	177	17:19:06.000	C9GNDRKLIT01-	DESEL	300FV	DARK AND LIGHT TRANSITION	3R3	4	0	4,016,634:00:0	
1918	97	177	17:22:01.533	C9GNDRKLIT01-	DESEL	300DG	DARK AND LIGHT TRANSITION	3R3	4	0	4,016,634:00:0	
1919	97	177	17:22:11.533		DMS:	: *RUNDOWN	R7, TRACK 2, REV, TIC * 447.13 +/- 1	3R3	4	0	4,016,655:87:0	
1920	97	177	17:22:11.533	175DL422A6B	6DMSC	RDY,0	DMS Control Tape stop	3R3	4	0	4,016,655:87:0	
1921	97	177	17:22:11.533	175DL6A	6TMREC	NRC	NO RECORD Record Mode Change	3R3	4	0	4,016,655:87:0	
1922	97	177	17:22:12.733		DMS:	: *READY	RDY, TRACK 2, REV, TIC * 447.07 +/- 1	3R3	4	0	4,016,655:88:8	
1923	97	177	17:22:14.200	117DL11A	CSMOS	GE	***** GROUP END CSMOS	3R3	4	0	4,016,656:00:0	

Line	YR	DOY	SCET - GMT	PSID	Command	Parameters	Description	GCM	GO	GS	RIM	MFI
1924	97	177	17:22:18.199	C9GNDRKLT101-		-----STOP-----		3R3	4	0	:	:
1925	97	177	17:22:18.199	C9GNBRILED01-		-----START-----		3R3	4	0	:	:
1926	97	177	17:23:14.200	165DN4A	7SCAN	NORM:336.570999,	Check S/P Position	3R3	4	0	4,016,656:90:0	
1927	97	177	17:27:05.533		DMS:	:*US-RUNUP	P7, TRACK *1, *FWD, TIC 447.07 +/- 1	3R3	4	0	4,016,660:73:0	
1928	97	177	17:27:05.533	175DN422A6A	6DMSC	R7,0	DMS Control Tape runup 7.68kps	3R3	4	0	4,016,660:73:0	
1929	97	177	17:27:06.933		DMS:	:*US_AT_SP	P7, TRACK 1, FWD, TIC * 447.19 +/- 1	3R3	4	0	4,016,660:75:1	
1930	97	177	17:27:08.200	117DN	CSMOS	GS	***** GROUP START CSMOS	3R3	4	0	4,016,660:77:0	
1931	97	177	17:27:12.200		DMS:	:*US_RD	P7, TRACK 1, FWD, TIC * 448.43 +/- 1	3R3	4	0	4,016,660:83:0	
1932	97	177	17:27:13.400		DMS:	:*RUNUP	R7, TRACK *2, *REV, TIC * 448.49 +/- 1	3R3	4	0	4,016,660:84:8	
1933	97	177	17:27:14.200	175DN176A6A	6TMREC	LPU	7.68 KBPS NIMS-UVS-PPR RECORD Record Mode	3R3	4	0	4,016,660:86:0	
1934	97	177	17:27:14.800		DMS:	:*RECORD	R7, TRACK 2, REV, TIC * 448.37 +/- 1	3R3	4	0	4,016,660:86:9	
1935	97	177	17:27:14.800		DMS:	:*AT_SPD	R7, TRACK 2, REV, TIC 448.37 +/- 1	3R3	4	0	4,016,660:86:9	
1936	97	177	17:27:16.200	165DN4B	7VECT		Inert vect update UTC	3R3	4	0	4,016,660:89:0	
1937	97	177	17:27:17.533	117DN105A106A4A	7STRP	0.01,0.0,0.0,0.0	Slew = 0.03	3R3	4	0	4,016,661:00:0	
1938	97	177	17:27:17.533	C9GNBRILED01-	NIMPBK	301DH	BRIGHT ENDMEMBER LEAD HEMISPHERE	3R3	4	0	:	:
1939	97	177	17:32:52.866	117DN105A106A4B	7STRP	-0.01,0.007502,0	Slew = 6.01	3R3	4	0	4,016,666:48:0	
1940	97	177	17:33:01.533	117DN105A106A4C	7STRP	0.01,0.0,0.0,0.0	Slew = 0.03	3R3	4	0	4,016,666:61:0	
1941	97	177	17:38:35.533	C9GNBRILED01-	DESELC	300DH	BRIGHT ENDMEMBER LEAD HEMISPHERE	3R3	4	0	:	:
1942	97	177	17:38:36.866	117DN11A	CSMOS	GE	***** GROUP END CSMOS	3R3	4	0	4,016,672:18:0	
1943	97	177	17:38:37.533	175DN422A6B	6DMSC	RDY,0	DMS Control Tape stop	3R3	4	0	4,016,672:19:0	
1944	97	177	17:38:37.533		DMS:	:*RUNDOWN	R7, TRACK 2, REV, TIC * 288.35 +/- 1	3R3	4	0	4,016,672:19:0	
1945	97	177	17:38:37.533	175DN6A	6TMREC	NRC	NO RECORD Record Mode Change	3R3	4	0	4,016,672:19:0	
1946	97	177	17:38:38.733		DMS:	:*READY	RDY, TRACK 2, REV, TIC * 288.29 +/- 1	3R3	4	0	4,016,672:20:8	
1947	97	177	17:39:24.866	165CA4A	7SCAN		Check S/P Position	3R3	4	0	4,016,672:90:0	
1948	97	177	17:39:29.532	C9GNBRILED01-		-----STOP-----		3R3	4	0	:	:
1949	97	177	17:43:21.533		DMS:	:*US-RUNUP	P7, TRACK *1, *FWD, TIC 288.29 +/- 1	3R3	4	0	4,016,676:81:0	
1950	97	177	17:43:21.533	465KF6A	6DTRN	CMD:6DTRN,465KF6	DMS TRACK TURNAROUND	3R3	4	0	4,016,676:81:0	
1951	97	177	17:43:21.533		DMS:	:*DMS-TURN	P7, TRACK 2, REV, TIC 288.29 +/- 1	3R3	4	0	4,016,676:81:0	
1952	97	177	17:43:22.933		DMS:	:*US_AT_SP	P7, TRACK 1, FWD, TIC * 288.41 +/- 1	3R3	4	0	4,016,676:83:1	
1953	97	177	17:43:26.866	165CA4B	7VECT		Inert vect update UTC	3R3	4	0	4,016,676:89:0	
1954	97	177	17:43:28.200		DMS:	:*US_RD	P7, TRACK 1, FWD, TIC * 289.65 +/- 1	3R3	4	0	4,016,677:00:0	
1955	97	177	17:43:29.400		DMS:	:*RUNUP	P7, TRACK *2, *REV, TIC * 289.71 +/- 1	3R3	4	0	4,016,677:01:8	
1956	97	177	17:43:30.800		DMS:	:*AT_SPD	P7, TRACK 2, REV, TIC * 289.59 +/- 1	3R3	4	0	4,016,677:03:9	
1957	97	177	17:49:53.533		DMS:	:*REVERSE	P7, TRACK 2, REV, TIC * 199.87 +/- 1	3R3	4	0	4,016,683:32:0	
1958	97	177	17:49:54.733		DMS:	:*RUNUP	P7, TRACK 3, FWD, TIC 199.81 +/- 1	3R3	4	0	4,016,683:33:8	
1959	97	177	17:49:54.733		DMS:	:*TURNARND	P7, TRACK *3, *FWD, TIC * 199.81 +/- 1	3R3	4	0	4,016,683:33:8	
1960	97	177	17:49:56.133		DMS:	:*AT_SPD	P7, TRACK 3, FWD, TIC * 199.93 +/- 1	3R3	4	0	4,016,683:35:9	
1961	97	177	17:50:08.133		DMS:	:*AUTOSTOP	P7, TRACK 3, FWD, TIC * 202.06 +/- 1	3R3	4	0	4,016,683:53:9	
1962	97	177	17:50:09.333		DMS:	:*READY	RDY, TRACK 3, FWD, TIC * 202.12 +/- 1	3R3	4	0	4,016,683:55:7	
1963	97	177	17:51:32.866	165IQ4A	7SCAN	NORM:346.127998,	Check S/P Position	3R3	4	0	4,016,684:90:0	
1964	97	177	17:54:30.866	125LK4A	37MB	1B,1B,0,0,0,0	Selects mirror (spatial) edit table	3R3	4	0	4,016,687:84:0	
1965	97	177	17:54:30.866	125LK	NIMSINIT	GS	##### GROUP START INIT	3R3	4	0	4,016,687:84:0	
1966	97	177	17:54:30.866	125LK11A	NIMSINIT	GE	##### GROUP END INIT	3R3	4	0	4,016,687:84:0	
1967	97	177	17:55:00.199	C9GNRTSULC01+		-----START-----		3R3	4	0	:	:
1968	97	177	17:55:26.200		DMS:	:*E4-DELAY	RDY, TRACK *1, FWD, TIC 202.12 +/- 1	3R3	4	0	4,016,688:76:0	
1969	97	177	17:55:26.200	175IP422A6A	6DMSC	R806,3	DMS Control	3R3	4	0	4,016,688:76:0	
1970	97	177	17:55:28.200	118IQ	SMOS	GS	%-%-%-% GROUP START TAB	3R3	4	0	4,016,688:79:0	
1971	97	177	17:55:31.533	127LK	NIMSTAB	GS	Loads wavelength edit table	3R3	4	0	4,016,688:84:0	
1972	97	177	17:55:32.200	127LK4A	37ETB	04,C4,35,FF,FF	R806, TRACK *3, FWD, TIC 202.12 +/- 1	3R3	4	0	4,016,688:85:0	
1973	97	177	17:55:32.866		DMS:	:*RUNUP	Inert vect update UTC	3R3	4	0	4,016,688:86:0	
1974	97	177	17:55:34.866	165IQ4B	7VECT		806.4 KBPS IMAGE RECORD Record Mode Chang	3R3	4	0	4,016,689:02:0	
1975	97	177	17:55:37.533	175IP176A6A	6TMREC	IM8	R806, TRACK 3, FWD, TIC * 268.12 +/- 1	3R3	4	0	4,016,689:02:9	
1976	97	177	17:55:38.133		DMS:	:*RECORD	R806, TRACK 3, FWD, TIC 268.12 +/- 1	3R3	4	0	4,016,689:02:9	
1977	97	177	17:55:38.133		DMS:	:*AT_SPD	Slew = 3.01	3R3	4	0	4,016,689:02:9	
1978	97	177	17:55:38.200	118IQ110A11A4A	7STRP	0.00762,0.0,0.26,0		3R3	4	0	4,016,689:03:0	

Line	YR	DOY	SCET - GMT	PSID	Command	Parameters	Description	GCM	GO	GS	RIM	MFI
1979	97	177	17:55:40.200	127LK11A	NIMSTAB	GE	%%%GROUP END TAB	3R3	4	0	4,016,689:06:0	
1980	97	177	17:55:56.200	432EQ6A	6RTSL2	NIMSEL,AACNCG,RT	NIMS R/T SELECT	3R3	4	0	4,016,689:30:0	
1981	97	177	17:56:04.200	118IQ11A	SMOS	GE		3R3	4	0	4,016,689:42:0	
1982	97	177	17:56:10.866	175IP422A6B	6DMSC	RDY,0	DMS Control Tape stop	3R3	4	0	4,016,689:52:0	
1983	97	177	17:56:10.866		DMS:	: *RUNDOWN	R806, TRACK 3, FWD, TIC *1073.67 +/-	3R3	4	0	4,016,689:52:0	
1984	97	177	17:56:13.600		DMS:	: *READY	RDY, TRACK 3, FWD, TIC *1085.17 +/-	3R3	4	0	4,016,689:56:1	
1985	97	177	17:57:00.199	C9GNRTSULC01+		-----STOP-----		3R3	4	0	:	
1986	97	177	17:57:56.200	432ER6A	6RTDS2	NIMDSL,AACNCG,RT	NIMS R/T DESELECT	3R3	4	0	4,016,691:28:0	
1987	97	177	17:59:34.200	125L11A	NIMSINIT	GE	##### GROUP END INIT	3R3	4	0	4,016,692:84:0	
1988	97	177	17:59:34.200	125LL	NIMSINIT	GS	##### GROUP START INIT	3R3	4	0	4,016,692:84:0	
1989	97	177	17:59:34.200	125LL4A	37MB	0,0,0,0,0,0	Selects mirror (spatial) edit table	3R3	4	0	4,016,692:84:0	
1990	97	177	18:02:40.200	165GS4A	7SCAN	NORM,348.821999,	Check S/P Position	3R3	4	0	4,016,695:90:0	
1991	97	177	18:03:32.200	117GS	CSMOS	GS	***** GROUP START CSMOS	3R3	4	0	4,016,696:77:0	
1992	97	177	18:03:40.200	165GS4B	7VECT		Inert vect update UTC	3R3	4	0	4,016,696:89:0	
1993	97	177	18:03:41.533	117GS105A106A4A	7STRP	0.022004,0.0,0.0,0	Slew = 0.48	3R3	4	0	4,016,697:00:0	
1994	97	177	18:03:41.533	176GS6A	6TMREC	BPT	7.68 KBPS PPR BURST TO TAPE Record Mode C	3R3	4	0	4,016,697:00:0	
1995	97	177	18:04:32.200	117GS105A106A4B	7STRP	-0.022004,-0.001	Slew = 12.01	3R3	4	0	4,016,697:76:0	
1996	97	177	18:04:38.866	117GS105A106A4C	7STRP	0.022004,0.0,0.0	Slew = 0.48	3R3	4	0	4,016,697:86:0	
1997	97	177	18:05:29.533	117GS105A106A4D	7STRP	-0.022004,-0.001	Slew = 12.01	3R3	4	0	4,016,698:71:0	
1998	97	177	18:05:36.200	117GS105A106A4E	7STRP	0.022004,0.0,0.0	Slew = 0.48	3R3	4	0	4,016,698:81:0	
1999	97	177	18:06:26.866	117GS105A106A4F	7STRP	-0.022004,-0.001	Slew = 12.01	3R3	4	0	4,016,699:66:0	
2000	97	177	18:06:33.533	117GS105A106A4G	7STRP	0.022004,0.0,0.0	Slew = 0.48	3R3	4	0	4,016,699:76:0	
2001	97	177	18:07:24.200	117GS105A106A4H	7STRP	-0.022004,-0.001	Slew = 12.01	3R3	4	0	4,016,700:61:0	
2002	97	177	18:07:30.866	117GS105A106A4I	7STRP	0.022004,0.0,0.0	Slew = 0.48	3R3	4	0	4,016,700:71:0	
2003	97	177	18:08:21.533	117GS105A106A4J	7STRP	-0.022004,-0.001	Slew = 12.01	3R3	4	0	4,016,701:56:0	
2004	97	177	18:08:28.200	117GS105A106A4K	7STRP	0.022004,0.0,0.0	Slew = 0.48	3R3	4	0	4,016,701:66:0	
2005	97	177	18:09:18.866	117GS105A106A4L	7STRP	-0.022004,-0.001	Slew = 12.01	3R3	4	0	4,016,702:51:0	
2006	97	177	18:09:25.533	117GS105A106A4M	7STRP	0.022004,0.0,0.0	Slew = 0.48	3R3	4	0	4,016,702:61:0	
2007	97	177	18:10:16.200	117GS105A106A4N	7STRP	-0.022004,-0.001	Slew = 12.01	3R3	4	0	4,016,703:46:0	
2008	97	177	18:10:22.866	117GS105A106A4O	7STRP	0.022004,0.0,0.0	Slew = 0.48	3R3	4	0	4,016,703:56:0	
2009	97	177	18:11:13.533	117GS105A106A4P	7STRP	-0.022004,-0.001	Slew = 12.01	3R3	4	0	4,016,704:41:0	
2010	97	177	18:11:20.200	117GS105A106A4Q	7STRP	0.022004,0.0,0.0	Slew = 0.48	3R3	4	0	4,016,704:51:0	
2011	97	177	18:12:10.866	117GS105A106A4R	7STRP	-0.022004,-0.001	Slew = 12.01	3R3	4	0	4,016,705:36:0	
2012	97	177	18:12:17.533	117GS105A106A4S	7STRP	0.022004,0.0,0.0	Slew = 0.48	3R3	4	0	4,016,705:46:0	
2013	97	177	18:13:08.200	117GS105A106A4T	7STRP	-0.022004,-0.001	Slew = 12.01	3R3	4	0	4,016,706:31:0	
2014	97	177	18:13:14.866	117GS105A106A4U	7STRP	0.022004,0.0,0.0	Slew = 0.48	3R3	4	0	4,016,706:41:0	
2015	97	177	18:14:05.533	117GS105A106A4V	7STRP	-0.022004,-0.001	Slew = 12.01	3R3	4	0	4,016,707:26:0	
2016	97	177	18:14:12.200	117GS105A106A4W	7STRP	0.022004,0.0,0.0	Slew = 0.48	3R3	4	0	4,016,707:36:0	
2017	97	177	18:15:02.866	117GS105A106A4X	7STRP	-0.022004,-0.001	Slew = 12.01	3R3	4	0	4,016,708:21:0	
2018	97	177	18:15:09.533	117GS105A106A4Y	7STRP	0.022004,0.0,0.0	Slew = 0.48	3R3	4	0	4,016,708:31:0	
2019	97	177	18:16:00.200	117GS105A106A4Z	7STRP	-0.022004,-0.001	Slew = 12.01	3R3	4	0	4,016,709:16:0	
2020	97	177	18:16:06.866	117GS105A106A4A	7STRP	0.022004,0.0,0.0	Slew = 0.48	3R3	4	0	4,016,709:26:0	
2021	97	177	18:16:57.533	117GS105A106A4B	7STRP	-0.022004,-0.001	Slew = 12.01	3R3	4	0	4,016,710:11:0	
2022	97	177	18:17:04.200	117GS105A106A4C	7STRP	0.022004,0.0,0.0	Slew = 0.48	3R3	4	0	4,016,710:21:0	
2023	97	177	18:17:54.866	117GS105A106A4D	7STRP	-0.022004,-0.001	Slew = 12.01	3R3	4	0	4,016,711:06:0	
2024	97	177	18:18:01.533	117GS105A106A4E	7STRP	0.022004,0.0,0.0	Slew = 0.48	3R3	4	0	4,016,711:16:0	
2025	97	177	18:18:52.200	117GS105A106A4F	7STRP	-0.022004,-0.001	Slew = 12.01	3R3	4	0	4,016,712:01:0	
2026	97	177	18:18:58.866	117GS105A106A4G	7STRP	0.022004,0.0,0.0	Slew = 0.48	3R3	4	0	4,016,712:11:0	
2027	97	177	18:19:49.533	117GS105A106A4H	7STRP	-0.022004,-0.001	Slew = 12.01	3R3	4	0	4,016,712:87:0	
2028	97	177	18:19:56.200	117GS105A106A4I	7STRP	0.022004,0.0,0.0	Slew = 0.48	3R3	4	0	4,016,713:06:0	
2029	97	177	18:20:46.866	117GS105A106A4J	7STRP	-0.022004,-0.001	Slew = 12.01	3R3	4	0	4,016,713:82:0	
2030	97	177	18:20:53.533	117GS105A106A4K	7STRP	0.022004,0.0,0.0	Slew = 0.48	3R3	4	0	4,016,714:01:0	
2031	97	177	18:20:54.200		DMS:	: *E4-DELAY	RDY, TRACK *1, FWD, TIC 1085.17 +/-	3R3	4	0	4,016,714:02:0	
2032	97	177	18:20:54.200	50ZZ6XX	6DMSC	R7,0	DMS Control Tape runup 7.68kps	3R3	4	0	4,016,714:02:0	
2033	97	177	18:21:00.866		DMS:	: *RUNUP	R7, TRACK *3, FWD, TIC 1085.17 +/-	3R3	4	0	4,016,714:12:0	

Line	YR	DOY	SCET - GMT	PSID	Command	Parameters	Description	GCM	GO	GS	RIM	MFI
2034	97	177	18:21:02.266		DMS:	:*AT_SPD	R7, TRACK 3, FWD, TIC *1085.29 +/-	3R3	4	0	4,016,714:14:1	
2035	97	177	18:21:29.533		DMS:	:*RECORD	R7, TRACK 3, FWD, TIC *1091.68 +/-	3R3	4	0	4,016,714:55:0	
2036	97	177	18:21:44.200	117GS105A106A4AL	7STRP	-0.022004,-0.001	Slew =12.01	3R3	4	0	4,016,714:77:0	
2037	97	177	18:21:50.866	117GS105A106A4AM	7STRP	0.022004,0.0,0.0	Slew = 0.48	3R3	4	0	4,016,714:87:0	
2038	97	177	18:21:52.200	50ZZ6RD	6DMSC	RDY,0	DMS Control Tape stop	3R3	4	0	4,016,714:89:0	
2039	97	177	18:21:52.200		DMS:	:*RUNDOWN	R7, TRACK 3, FWD, TIC *1096.99 +/-	3R3	4	0	4,016,714:89:0	
2040	97	177	18:21:53.400		DMS:	:*READY	RDY, TRACK 3, FWD, TIC *1097.05 +/-	3R3	4	0	4,016,714:90:8	
2041	97	177	18:22:41.533	117GS11A	CSMOS	GE	***** GROUP END CSMOS	3R3	4	0	4,016,715:72:0	
2042	97	177	18:24:55.533	176GS6B	6TMREC	NRC	NO RECORD Record Mode Change	3R3	4	0	4,016,718:00:0	
2043	97	177	18:24:57.533		DMS:	:*E4-DELAY	RDY, TRACK *1, FWD, TIC 1097.05 +/-	3R3	4	0	4,016,718:03:0	
2044	97	177	18:24:57.533	50ZZ6XX	6DMSC	R7,0	DMS Control Tape runup 7.68kps	3R3	4	0	4,016,718:03:0	
2045	97	177	18:25:04.200		DMS:	:*RUNUP	R7, TRACK *3, FWD, TIC 1097.05 +/-	3R3	4	0	4,016,718:13:0	
2046	97	177	18:25:05.600		DMS:	:*AT_SPD	R7, TRACK 3, FWD, TIC *1097.17 +/-	3R3	4	0	4,016,718:15:1	
2047	97	177	18:25:07.533		DMS:	:*RECORD	R7, TRACK 3, FWD, TIC *1097.63 +/-	3R3	4	0	4,016,718:18:0	
2048	97	177	18:25:19.533	50ZZ6RE	6DMSC	RDY,0	DMS Control Tape stop	3R3	4	0	4,016,718:36:0	
2049	97	177	18:25:19.533		DMS:	:*RUNDOWN	R7, TRACK 3, FWD, TIC *1100.44 +/-	3R3	4	0	4,016,718:36:0	
2050	97	177	18:25:20.733		DMS:	:*READY	RDY, TRACK 3, FWD, TIC *1100.50 +/-	3R3	4	0	4,016,718:37:8	
2051	97	177	18:45:12.800	C9ENCLIPSE03-		-----START-----		3R3	4	0	:	:
2052	97	177	18:46:08.866	165DO4A	7SCAN	NORM,281.348999,	Check S/P Position	3R3	4	0	4,016,738:90:0	
2053	97	177	18:48:06.200	125DO4A	NIMSINIT	GS	##### GROUP START INIT	3R3	4	0	4,016,740:84:0	
2054	97	177	18:48:06.200	125DO4A	37IST	1,2,0,OFF,0,1,1	Chopper ON, Sync, Chopper (Ref)Gain State	4R3	4	0	4,016,740:84:0	
2055	97	177	18:48:06.200	125DO11A	NIMSINIT	GE	##### GROUP END INIT	4R3	4	0	4,016,740:84:0	
2056	97	177	18:49:06.866	127DO4A	37IOP	1,0	Full Map, Grating Start Position =00	4R1	4	0	4,016,741:84:0	
2057	97	177	18:49:06.866	127DO	NIMSTAB	GS	%%%%% GROUP START TAB	4R1	4	0	4,016,741:84:0	
2058	97	177	18:49:07.533	127DO4B	37ETB		Loads wavelength edit table	4R1	4	0	4,016,741:85:0	
2059	97	177	18:49:15.533	127DO11A	NIMSTAB	GE	%%%%% GROUP END TAB	4R1	4	0	4,016,742:06:0	
2060	97	177	18:50:00.866	175DO422A6A	6DMSC	R7,3	DMS Control	4R1	4	0	4,016,742:74:0	
2061	97	177	18:50:00.866		DMS:	:*E4-DELAY	RDY, TRACK *1, FWD, TIC 1100.50 +/-	4R1	4	0	4,016,742:74:0	
2062	97	177	18:50:02.866	117DO	CSMOS	GS	***** GROUP START CSMOS	4R1	4	0	4,016,742:77:0	
2063	97	177	18:50:07.533		DMS:	:*RUNUP	R7, TRACK *3, FWD, TIC 1100.50 +/-	4R1	4	0	4,016,742:84:0	
2064	97	177	18:50:08.866	175DO176A6A	6TMREC	LPD	7.68 KBPS NIMS-UVS-PPR RECORD Record Mode	4R1	4	0	4,016,742:86:0	
2065	97	177	18:50:08.933		DMS:	:*AT_SPD	R7, TRACK 3, FWD, TIC 1100.62 +/-	4R1	4	0	4,016,742:86:1	
2066	97	177	18:50:08.933		DMS:	:*RECORD	R7, TRACK 3, FWD, TIC *1100.62 +/-	4R1	4	0	4,016,742:86:1	
2067	97	177	18:50:12.200	C9ENCLIPSE03-	NIMPBK	301DI	EUROPA ECLIPSE PART 3	4R1	4	0	:	:
2068	97	177	18:50:12.200	117DO105A106A4A	7STRP	0.003,0.0,0.0,0.0,	Slew =-0.06	4R1	4	0	4,016,743:00:0	
2069	97	177	18:51:04.866	117DO105A106A4B	7STRP	-0.002,0.0,0.0,0.0,	Slew =-0.1,4	4R1	4	0	4,016,743:79:0	
2070	97	177	18:51:10.200	117DO105A106A4C	7STRP	0.003,0.0,0.0,0.0,	Slew = 0.06	4R1	4	0	4,016,743:87:0	
2071	97	177	18:52:02.866	117DO105A106A4D	7STRP	-0.002,0.0,0.0,0.0,	Slew =0,1,4	4R1	4	0	4,016,744:75:0	
2072	97	177	18:52:08.200	117DO105A106A4E	7STRP	0.003,0.0,0.0,0.0,	Slew = 0.06	4R1	4	0	4,016,744:83:0	
2073	97	177	18:53:00.866	117DO105A106A4F	7STRP	-0.002,0.0,0.0,0.0,	Slew =0,1,4	4R1	4	0	4,016,745:71:0	
2074	97	177	18:53:06.200	117DO105A106A4G	7STRP	0.003,0.0,0.0,0.0,	Slew =-0,06	4R1	4	0	4,016,745:79:0	
2075	97	177	18:53:58.866	117DO105A106A4H	7STRP	-0.002,0.0,0.0,0.0,	Slew =0,1,4	4R1	4	0	4,016,746:67:0	
2076	97	177	18:54:04.200	117DO105A106A4I	7STRP	0.003,0.0,0.0,0.0,	Slew =-0,06	4R1	4	0	4,016,746:75:0	
2077	97	177	18:54:54.866	C9ENCLIPSE03-	DESEL	300DI	EUROPA ECLIPSE PART 3	4R1	4	0	:	:
2078	97	177	18:54:56.866	117DO11A	CSMOS	GE	***** GROUP END CSMOS	4R1	4	0	4,016,747:63:0	
2079	97	177	18:55:14.866	165EY4A	7SCAN	NORM,282.091999,	Check S/P Position	4R1	4	0	4,016,747:90:0	
2080	97	177	18:55:17.533		DMS:	:*RUNDOWN	R7, TRACK 3, FWD, TIC *1172.95 +/-	4R1	4	0	4,016,748:03:0	
2081	97	177	18:55:17.533	175DO6A	6TMREC	NRC	NO RECORD Record Mode Change	4R1	4	0	4,016,748:03:0	
2082	97	177	18:55:17.533	175DO422A6B	6DMSC	RDY,0	DMS Control Tape stop	4R1	4	0	4,016,748:03:0	
2083	97	177	18:55:18.733		DMS:	:*READY	RDY, TRACK 3, FWD, TIC *1173.01 +/-	4R1	4	0	4,016,748:04:8	
2084	97	177	18:55:19.467	C9ENCLIPSE03-		-----STOP-----		4R1	4	0	:	:
2085	97	177	18:55:19.467	C9ENRTECL103-		-----START-----		4R1	4	0	:	:
2086	97	177	18:56:11.533	125LU	NIMSINIT	GS	##### GROUP START INIT	4R1	4	0	4,016,748:84:0	
2087	97	177	18:56:11.533	125LU4A	37MB	1B,1B,0,0,0,0	Selects mirror (spatial) edit table	4R1	4	0	4,016,748:84:0	
2088	97	177	18:56:11.533	125LU11A	NIMSINIT	GE	##### GROUP END INIT	4R1	4	0	4,016,748:84:0	

Line	YR	DOY	SCET - GMT	PSID	Command	Parameters	Description	GCM	GO	GS	RIM	MFI
2089	97	177	18:57:12.200	127LU	NIMSTAB	GS	%%%GROUP START TAB	4R1	4	0	4,016,749:84:0	
2090	97	177	18:57:12.200	127LU4A	37IOP	1,0	Full Map, Grating Start Position =00	4R1	4	0	4,016,749:84:0	
2091	97	177	18:57:12.866	127LU4B	37ETB	04,C4,1B,FF,FF	Loads wavelength edit table	4R1	4	0	4,016,749:85:0	
2092	97	177	18:57:20.866	127LU11A	NIMSTAB	GE	%%GROUP END TAB	4R1	4	0	4,016,750:06:0	
2093	97	177	18:57:36.866	432LA6A	6RTSL2	NIMSEL,AACNCG,RT	NIMS R/T SELECT	4R1	4	0	4,016,750:30:0	
2094	97	177	18:58:08.200	117EY	CSMOS	GS	**** GROUP START CSMOS	4R1	4	0	4,016,750:77:0	
2095	97	177	18:58:17.533	117EY105A106A4A	7STRP	-0.0035,0.0,0.0,	Slew = 0.03	4R1	4	0	4,016,751:00:0	
2096	97	177	19:00:18.866	117EY11A	CSMOS	GE	**** GROUP END CSMOS	4R1	4	0	4,016,753:00:0	
2097	97	177	19:00:37.533	432LB6A	6RTDS2	NIMDSL,AACNCG,RT	NIMS R/T DESELECT	4R1	4	0	4,016,753:28:0	
2098	97	177	19:01:23.467	C9ENRTECL103-		-----STOP-----		4R1	4	0	:	
2100	97	177	19:02:15.533	125LV11A	NIMSNIT	GE	##### GROUP END INIT	4R1	4	0	4,016,754:84:0	
2101	97	177	19:02:15.533	125LV4A	37MB	0,0,0,0,0,0	Selects mirror (spatial) edit table	4R1	4	0	4,016,754:84:0	
2101	97	177	19:02:15.533	125LV	NIMSNIT	GS	##### GROUP START INIT	4R1	4	0	4,016,754:84:0	
2102	97	177	19:06:22.200	165GU4A	7SCAN	NORM,6.437,5.489	Check S/P Position	4R1	4	0	4,016,758:90:0	
2103	97	177	19:10:16.200	117GU	CSMOS	GS	**** GROUP START CSMOS	4R1	4	0	4,016,762:77:0	
2104	97	177	19:10:24.200	165GU4B	7VECT		Inert vect update UTC	4R1	4	0	4,016,762:89:0	
2105	97	177	19:10:25.533	117GU105A106A4A	7STRP	0.037017,0.0,0.0,	Slew = 0.41	4R1	4	0	4,016,763:00:0	
2106	97	177	19:10:25.533	176GU6A	6TMREC	BPT	7.68 KBPS PPR BURST TO TAPE Record Mode C	4R1	4	0	4,016,763:00:0	
2107	97	177	19:11:59.533	117GU105A106A4B	7STRP	-0.037017,0.0013	Slew = 12.01	4R1	4	0	4,016,764:50:0	
2108	97	177	19:12:06.866	117GU105A106A4C	7STRP	0.037017,0.0,0.0,	Slew = -0.41	4R1	4	0	4,016,764:61:0	
2109	97	177	19:13:40.866	117GU105A106A4D	7STRP	-0.037017,0.0013	Slew = 12.01	4R1	4	0	4,016,766:20:0	
2110	97	177	19:13:48.200	117GU105A106A4E	7STRP	0.037017,0.0,0.0,	Slew = 0.41	4R1	4	0	4,016,766:31:0	
2111	97	177	19:15:22.200	117GU105A106A4F	7STRP	-0.037017,0.0013	Slew = 12.01	4R1	4	0	4,016,767:81:0	
2112	97	177	19:15:29.533	117GU105A106A4G	7STRP	0.037017,0.0,0.0,	Slew = 0.41	4R1	4	0	4,016,768:01:0	
2113	97	177	19:17:03.533	117GU105A106A4H	7STRP	-0.037017,0.0013	Slew = 12.01	4R1	4	0	4,016,769:51:0	
2114	97	177	19:17:10.866	117GU105A106A4I	7STRP	0.037017,0.0,0.0,	Slew = -0.41	4R1	4	0	4,016,769:62:0	
2115	97	177	19:18:44.866	117GU105A106A4J	7STRP	-0.037017,0.0013	Slew = 12.01	4R1	4	0	4,016,771:21:0	
2116	97	177	19:18:52.200	117GU105A106A4K	7STRP	0.037017,0.0,0.0,	Slew = -0.41	4R1	4	0	4,016,771:32:0	
2117	97	177	19:20:26.200	117GU105A106A4L	7STRP	-0.037017,0.0013	Slew = 12.01	4R1	4	0	4,016,772:82:0	
2118	97	177	19:20:33.533	117GU105A106A4M	7STRP	0.037017,0.0,0.0,	Slew = -0.41	4R1	4	0	4,016,773:02:0	
2119	97	177	19:22:07.533	117GU105A106A4N	7STRP	-0.037017,0.0013	Slew = 12.01	4R1	4	0	4,016,774:52:0	
2120	97	177	19:22:14.866	117GU105A106A4O	7STRP	0.037017,0.0,0.0,	Slew = 0.41	4R1	4	0	4,016,774:63:0	
2121	97	177	19:23:48.866	117GU105A106A4P	7STRP	-0.037017,0.0013	Slew = 12.01	4R1	4	0	4,016,776:22:0	
2122	97	177	19:23:56.200	117GU105A106A4Q	7STRP	0.037017,0.0,0.0,	Slew = 0.41	4R1	4	0	4,016,776:33:0	
2123	97	177	19:25:30.200	117GU105A106A4R	7STRP	-0.037017,0.0013	Slew = 12.01	4R1	4	0	4,016,777:83:0	
2124	97	177	19:25:37.533	117GU105A106A4S	7STRP	0.037017,0.0,0.0,	Slew = -0.41	4R1	4	0	4,016,778:03:0	
2125	97	177	19:27:11.533	117GU105A106A4T	7STRP	-0.037017,0.0013	Slew = 12.01	4R1	4	0	4,016,779:53:0	
2126	97	177	19:27:18.866	117GU105A106A4U	7STRP	0.037017,0.0,0.0,	Slew = -0.41	4R1	4	0	4,016,779:64:0	
2127	97	177	19:27:38.200		DMS:	:*E4-DELAY	RDY, TRACK *1, FWD, TIC 1173.01 +/-	4R1	4	0	4,016,780:02:0	
2128	97	177	19:27:38.200	50ZZ6XX	6DMSC	RT,0	DMS Control Tape runup 7.68kps	4R1	4	0	4,016,780:02:0	
2129	97	177	19:27:44.866		DMS:	:*RUNUP	R7, TRACK *3, FWD, TIC 1173.01 +/-	4R1	4	0	4,016,780:12:0	
2130	97	177	19:27:46.266		DMS:	:*AT SPD	R7, TRACK 3, FWD, TIC *1173.13 +/-	4R1	4	0	4,016,780:14:1	
2131	97	177	19:28:13.533		DMS:	:*RECORD	R7, TRACK 3, FWD, TIC *1179.52 +/-	4R1	4	0	4,016,780:55:0	
2132	97	177	19:28:36.200		DMS:	:*RUNDOWN	R7, TRACK 3, FWD, TIC *1184.83 +/-	4R1	4	0	4,016,780:89:0	
2133	97	177	19:28:36.200	50ZZ6RD	6DMSC	RDY,0	DMS Control Tape stop	4R1	4	0	4,016,780:89:0	
2134	97	177	19:28:37.400		DMS:	:*READY	RDY, TRACK 3, FWD, TIC *1184.89 +/-	4R1	4	0	4,016,780:90:8	
2135	97	177	19:28:52.866	117GU105A106A4V	7STRP	-0.037017,0.0013	Slew = 12.01	4R1	4	0	4,016,781:23:0	
2136	97	177	19:29:00.200	117GU105A106A4W	7STRP	0.037017,0.0,0.0,	Slew = -0.41	4R1	4	0	4,016,781:34:0	
2137	97	177	19:30:34.200	117GU105A106A4X	7STRP	-0.037017,0.0013	Slew = 12.01	4R1	4	0	4,016,782:84:0	
2138	97	177	19:30:41.533	117GU105A106A4Y	7STRP	0.037017,0.0,0.0,	Slew = -0.41	4R1	4	0	4,016,783:04:0	
2139	97	177	19:32:15.533	117GU105A106A4Z	7STRP	-0.037017,0.0013	Slew = 12.01	4R1	4	0	4,016,784:54:0	
2140	97	177	19:32:22.866	117GU105A106A4A	7STRP	0.037017,0.0,0.0,	Slew = 0.41	4R1	4	0	4,016,784:65:0	
2141	97	177	19:33:56.866	117GU105A106A4B	7STRP	-0.037017,0.0013	Slew = 12.01	4R1	4	0	4,016,786:24:0	
2142	97	177	19:34:04.200	117GU105A106A4C	7STRP	0.037017,0.0,0.0,	Slew = -0.41	4R1	4	0	4,016,786:35:0	
2143	97	177	19:35:38.200	117GU105A106A4D	7STRP	-0.037017,0.0013	Slew = 12.01	4R1	4	0	4,016,787:85:0	

Line	YR	DOY	SCET - GMT	PSID	Command	Parameters	Description	GCM	GO	GS	RIM	MFI
2144	97	177	19:35:45.533	117GU105A106A4AE	7STRP	0.037017,0.00,0.0	Slew =-0.41	4R1	4	0	4,016,788:05:0	
2145	97	177	19:37:19.533	117GU105A106A4AF	7STRP	-0.037017,0.0013	Slew =12.01	4R1	4	0	4,016,789:55:0	
2146	97	177	19:37:26.866	117GU105A106A4AG	7STRP	0.037017,0.00,0.0	Slew =-0.41	4R1	4	0	4,016,789:66:0	
2147	97	177	19:39:00.866	117GU105A106A4AH	7STRP	-0.037017,0.0013	Slew =12.01	4R1	4	0	4,016,791:25:0	
2148	97	177	19:39:08.200	117GU105A106A4AJ	7STRP	0.037017,0.00,0.0	Slew =-0.41	4R1	4	0	4,016,791:36:0	
2149	97	177	19:40:42.200	117GU105A106A4AJ	7STRP	-0.037017,0.0013	Slew =12.01	4R1	4	0	4,016,792:86:0	
2150	97	177	19:40:49.533	117GU105A106A4AK	7STRP	0.037017,0.00,0.0	Slew =0.41	4R1	4	0	4,016,793:06:0	
2151	97	177	19:42:23.533	117GU105A106A4AL	7STRP	-0.037017,0.0013	Slew =12.01	4R1	4	0	4,016,794:56:0	
2152	97	177	19:42:30.866	117GU105A106A4AM	7STRP	0.037017,0.00,0.0	Slew =0.41	4R1	4	0	4,016,794:67:0	
2153	97	177	19:44:04.866	117GU105A106A4AN	7STRP	-0.037017,0.0013	Slew =12.01	4R1	4	0	4,016,796:26:0	
2154	97	177	19:44:12.200	117GU105A106A4AO	7STRP	0.037017,0.00,0.0	Slew =-0.41	4R1	4	0	4,016,796:37:0	
2155	97	177	19:45:29.533	DMS:	: *E4-DELAY		RDY, TRACK *1, FWD, TIC 1184.89 +/-	4R1	4	0	4,016,797:62:0	
2156	97	177	19:45:29.533	50ZZ6XX	6DMSC	RDY,0	DMS Control Tape runup 7.68kps	4R1	4	0	4,016,797:62:0	
2157	97	177	19:45:36.200	DMS:	: *RUNUP		R7, TRACK *3, FWD, TIC 1184.89 +/-	4R1	4	0	4,016,797:72:0	
2158	97	177	19:45:37.600	DMS:	: *AT SPD		R7, TRACK 3, FWD, TIC *1185.01 +/-	4R1	4	0	4,016,797:74:1	
2159	97	177	19:45:46.200	117GU105A106A4AP	7STRP	-0.037017,0.0013	Slew =12.01	4R1	4	0	4,016,797:87:0	
2160	97	177	19:45:53.533	117GU105A106A4AQ	7STRP	0.037017,0.00,0.0	Slew =0.41	4R1	4	0	4,016,798:07:0	
2161	97	177	19:46:04.200	DMS:	: *RECORD		R7, TRACK 3, FWD, TIC *1191.24 +/-	4R1	4	0	4,016,798:23:0	
2162	97	177	19:46:26.866	50ZZ6RE	6DMSC	RDY,0	DMS Control Tape stop	4R1	4	0	4,016,798:57:0	
2163	97	177	19:46:26.866	DMS:	: *RUNDOWN		R7, TRACK 3, FWD, TIC *1196.56 +/-	4R1	4	0	4,016,798:57:0	
2164	97	177	19:46:28.066	DMS:	: *READY		RDY, TRACK 3, FWD, TIC *1196.62 +/-	4R1	4	0	4,016,798:58:8	
2165	97	177	19:47:27.533	117GU105A106A4AR	7STRP	-0.037017,0.0013	Slew =12.01	4R1	4	0	4,016,799:57:0	
2166	97	177	19:47:34.866	117GU105A106A4AS	7STRP	0.037017,0.00,0.0	Slew =-0.41	4R1	4	0	4,016,799:68:0	
2167	97	177	19:49:08.866	117GU105A106A4AT	7STRP	-0.037017,0.0013	Slew =12.01	4R1	4	0	4,016,801:27:0	
2168	97	177	19:49:16.200	117GU105A106A4AU	7STRP	0.037017,0.00,0.0	Slew =-0.41	4R1	4	0	4,016,801:38:0	
2169	97	177	19:50:50.200	117GU105A106A4AV	7STRP	-0.037017,0.0013	Slew =12.01	4R1	4	0	4,016,802:88:0	
2170	97	177	19:50:57.533	117GU105A106A4AW	7STRP	0.037017,0.00,0.0	Slew =0.41	4R1	4	0	4,016,803:08:0	
2171	97	177	19:52:31.533	117GU105A106A4AX	7STRP	-0.037017,0.0013	Slew =12.01	4R1	4	0	4,016,804:58:0	
2172	97	177	19:52:38.866	117GU105A106A4AY	7STRP	0.037017,0.00,0.0	Slew =0.41	4R1	4	0	4,016,804:69:0	
2173	97	177	19:54:12.866	117GU105A106A4AZ	7STRP	-0.037017,0.0013	Slew =12.01	4R1	4	0	4,016,806:28:0	
2174	97	177	19:54:20.200	117GU105A106A4BA	7STRP	0.037017,0.00,0.0	Slew =-0.41	4R1	4	0	4,016,806:39:0	
2175	97	177	19:55:54.200	117GU105A106A4BB	7STRP	-0.037017,0.0013	Slew =12.01	4R1	4	0	4,016,807:89:0	
2176	97	177	19:56:01.533	117GU105A106A4BC	7STRP	0.037017,0.00,0.0	Slew =-0.41	4R1	4	0	4,016,808:09:0	
2177	97	177	19:57:35.533	117GU105A106A4BD	7STRP	-0.037017,0.0013	Slew =12.01	4R1	4	0	4,016,809:59:0	
2178	97	177	19:57:42.866	117GU105A106A4BE	7STRP	0.037017,0.00,0.0	Slew =-0.41	4R1	4	0	4,016,809:70:0	
2179	97	177	19:59:16.866	117GU105A106A4BF	7STRP	-0.037017,0.0013	Slew =12.01	4R1	4	0	4,016,811:29:0	
2180	97	177	19:59:24.200	117GU105A106A4BG	7STRP	0.037017,0.00,0.0	Slew =0.41	4R1	4	0	4,016,811:40:0	
2181	97	177	20:00:58.200	117GU105A106A4BH	7STRP	-0.037017,0.0013	Slew =12.01	4R1	4	0	4,016,812:90:0	
2182	97	177	20:01:05.533	117GU105A106A4BI	7STRP	0.037017,0.00,0.0	Slew =0.41	4R1	4	0	4,016,813:10:0	
2183	97	177	20:02:39.533	117GU105A106A4BJ	7STRP	-0.037017,0.0013	Slew =12.01	4R1	4	0	4,016,814:60:0	
2184	97	177	20:02:46.866	117GU105A106A4BK	7STRP	0.037017,0.00,0.0	Slew =-0.41	4R1	4	0	4,016,814:71:0	
2185	97	177	20:03:20.866	50ZZ6XX	6DMSC	RDY,0	DMS Control Tape runup 7.68kps	4R1	4	0	4,016,815:31:0	
2186	97	177	20:03:20.866	DMS:	: *E4-DELAY		RDY, TRACK *1, FWD, TIC 1196.62 +/-	4R1	4	0	4,016,815:31:0	
2187	97	177	20:03:27.533	DMS:	: *RUNUP		R7, TRACK *3, FWD, TIC 1196.62 +/-	4R1	4	0	4,016,815:41:0	
2188	97	177	20:03:28.933	DMS:	: *AT SPD		R7, TRACK 3, FWD, TIC *1196.74 +/-	4R1	4	0	4,016,815:43:1	
2189	97	177	20:03:55.533	DMS:	: *RECORD		R7, TRACK 3, FWD, TIC *1202.97 +/-	4R1	4	0	4,016,815:83:0	
2190	97	177	20:04:18.200	DMS:	: *RUNDOWN		R7, TRACK 3, FWD, TIC *1208.28 +/-	4R1	4	0	4,016,816:26:0	
2191	97	177	20:04:18.200	50ZZ6RD	6DMSC	RDY,0	DMS Control Tape stop	4R1	4	0	4,016,816:26:0	
2192	97	177	20:04:19.400	DMS:	: *READY		RDY, TRACK 3, FWD, TIC *1208.34 +/-	4R1	4	0	4,016,816:27:8	
2193	97	177	20:04:20.866	117GU105A106A4BL	7STRP	-0.037017,0.0013	Slew =12.01	4R1	4	0	4,016,816:30:0	
2194	97	177	20:04:28.200	117GU105A106A4BM	7STRP	0.037017,0.00,0.0	Slew =-0.41	4R1	4	0	4,016,816:41:0	
2195	97	177	20:06:02.200	117GU105A106A4BN	7STRP	-0.037017,0.0013	Slew =12.01	4R1	4	0	4,016,818:00:0	
2196	97	177	20:06:09.533	117GU105A106A4BO	7STRP	0.037017,0.00,0.0	Slew =-0.41	4R1	4	0	4,016,818:11:0	
2197	97	177	20:07:06.800	C9NNRELOAD02-		-----START-----		4R1	4	0	:	:
2198	97	177	20:07:43.533	117GU105A106A4BP	7STRP	-0.037017,0.0013	Slew =12.01	4R1	4	0	4,016,819:61:0	

Line	YR	DOY	SCET - GMT	PSID	Command	Parameters	Description	GCM	GO	GS	RIM	MFI
2199	97	177	20:07:50.866	117GU105A106A4BQ	7STRP	0.037017,0.0,0.0	Slew = 0.41	4R1	4	0	4,016,819:720	
2200	97	177	20:08:07.533	20EC6A	6CKSUM	NIMS	NIMS,1000,14BC	4R1	4	0	4,016,820:06:0	
2201	97	177	20:09:08.200	20EC5A	37PL		Program Load (halts microprocessor & unwri	4R1	4	0	4,016,821:06:0	
2202	97	177	20:09:24.866	117GU105A106A4BR	7STRP	-0.037017,0.0013	Slew = 12.01	4R1	4	0	4,016,821:31:0	
2203	97	177	20:09:32.200	117GU105A106A4BS	7STRP	0.037017,0.0,0.0	Slew = 0.41	4R1	4	0	4,016,821:42:0	
2204	97	177	20:10:08.866	20EC5B	37MRL		Memory Realocate (software operates from R	4R1	4	0	4,016,822:06:0	
2205	97	177	20:11:06.200	117GU105A106A4BT	7STRP	-0.037017,0.0013	Slew = 12.01	4R1	4	0	4,016,823:01:0	
2206	97	177	20:11:09.533	20EC6B	6MCOPY	NIMS	NIMS,1000,LLM1A,7300,77F7	4R1	4	0	4,016,823:06:0	
2207	97	177	20:11:13.533	117GU105A106A4BU	7STRP	0.037017,0.0,0.0	Slew = 0.41	4R1	4	0	4,016,823:12:0	
2208	97	177	20:12:10.200	20EC6C	6MCOPY	NIMS	NIMS,1598,LLM1A,77F8,781D	4R1	4	0	4,016,824:06:0	
2209	97	177	20:12:47.533	117GU11A	CSMOS	GE	***** GROUP END CSMOS	4R1	4	0	4,016,824:62:0	
2210	97	177	20:13:10.866	20EC5C	37IRT		Instrument Reset (goes into POR state)	260	4	0	4,016,825:06:0	
2211	97	177	20:14:11.533	20EC5D	37MN		Memory Normal (software operates from ROM)	260	4	0	4,016,826:06:0	
2212	97	177	20:15:08.200	176GU6B	6TMREC	NRC	NO RECORD Record Mode Change	260	4	0	4,016,827:00:0	
2213	97	177	20:15:10.200		DMS:	: *E4-DELAY	RDY, TRACK *1, FWD, TIC 1208.34 +/-	260	4	0	4,016,827:03:0	
2214	97	177	20:15:10.200	50Z26XX	6DMSC	R7,0	DMS Control Tape runup 7.68kps	260	4	0	4,016,827:03:0	
2215	97	177	20:15:12.200	20EC4A	37IST	1.2,0.OFF,0.0,0	Chopper ON, Sync, Chopper (Ref)	2R0	4	0	4,016,827:06:0	
2216	97	177	20:15:16.866		DMS:	: *RUNUP	R7, TRACK *3, FWD, TIC 1208.34 +/-	2R0	4	0	4,016,827:13:0	
2217	97	177	20:15:18.266		DMS:	: *AT_SPD	R7, TRACK 3, FWD, TIC *1208.46 +/-	2R0	4	0	4,016,827:15:1	
2218	97	177	20:15:20.200		DMS:	: *RECORD	R7, TRACK 3, FWD, TIC *1208.92 +/-	2R0	4	0	4,016,827:18:0	
2219	97	177	20:15:37.533		DMS:	: *RUNDOWN	R7, TRACK 3, FWD, TIC *1212.98 +/-	2R0	4	0	4,016,827:44:0	
2220	97	177	20:15:37.533	50Z26RE	6DMSC	RDY,0	DMS Control Tape stop	2R0	4	0	4,016,827:44:0	
2221	97	177	20:15:38.733		DMS:	: *READY	RDY, TRACK 3, FWD, TIC *1213.04 +/-	2R0	4	0	4,016,827:45:8	
2222	97	177	20:16:12.866	20EC4B	37IOP	3.0	Long Map, Grating Start Position = 00	2R3	4	0	4,016,828:06:0	
2223	97	177	20:17:13.466	C9NIRELOAD02-		-----STOP-----		2R3	4	0	:	:
2224	97	177	20:19:14.800	C9JNGRS05101-		-----START-----		2R3	4	0	:	:
2225	97	177	20:20:10.866	165DP4A	7SCAN	NORM,262.445,-26	Check S/P Position	2R3	4	0	4,016,831:90:0	
2226	97	177	20:23:08.866	127DP	NIMSTAB	GS	%%-%-% GROUP START TAB	2R3	4	0	4,016,834:84:0	
2227	97	177	20:23:08.866	127DP4A	37IOP	5.1	Short Map, Grating Start Position = 01	2R5	4	1	4,016,834:84:0	
2228	97	177	20:23:09.533	127DP4B	37ETB		Loads wavelength edit table	2R5	4	1	4,016,834:85:0	
2229	97	177	20:23:17.533	127DP11A	NIMSTAB	GE	%%-%-% GROUP END TAB	2R5	4	1	4,016,835:06:0	
2230	97	177	20:24:02.866		DMS:	: *E4-DELAY	RDY, TRACK *1, FWD, TIC 1213.04 +/-	2R5	4	1	4,016,835:74:0	
2231	97	177	20:24:02.866	175DP422A6A	6DMSC	R7,3	DMS Control	2R5	4	1	4,016,835:74:0	
2232	97	177	20:24:04.866	117DP	CSMOS	GS	***** GROUP START CSMOS	2R5	4	1	4,016,835:77:0	
2233	97	177	20:24:09.533		DMS:	: *RUNUP	R7, TRACK *3, FWD, TIC 1213.04 +/-	2R5	4	1	4,016,835:84:0	
2234	97	177	20:24:10.866	175DP176A6A	6TMREC	LPU	7.68 KBPS NIMS-UVS-PPR RECORD Record Mode	2R5	4	1	4,016,835:86:1	
2235	97	177	20:24:10.933		DMS:	: *RECORD	R7, TRACK 3, FWD, TIC *1213.16 +/-	2R5	4	1	4,016,835:86:1	
2236	97	177	20:24:10.933		DMS:	: *AT_SPD	R7, TRACK 3, FWD, TIC 1213.16 +/-	2R5	4	1	4,016,835:86:1	
2237	97	177	20:24:14.200	117DP105A106A4A	7STRP	-0.021703,0.0,0.0	Slew = 0.11	2R5	4	1	4,016,836:00:0	
2238	97	177	20:24:14.200	C9JNGRS05101-	NIMPBK	301DJ	JUPITER GREAT RED SPOT 51 DEGREE	2R5	4	1	:	:
2239	97	177	20:27:32.200	C9JNGRS05101-	DESEL	300DJ	JUPITER GREAT RED SPOT 51 DEGREE	2R5	4	1	:	:
2240	97	177	20:27:34.200		DMS:	: *RUNDOWN	R7, TRACK 3, FWD, TIC *1260.80 +/-	2R5	4	1	4,016,839:27:0	
2241	97	177	20:27:34.200	117DP11A	CSMOS	GE	***** GROUP END CSMOS	2R5	4	1	4,016,839:27:0	
2242	97	177	20:27:34.200	175DP422A6B	6DMSC	RDY,0	DMS Control Tape stop	2R5	4	1	4,016,839:27:0	
2243	97	177	20:27:34.200	175DP6A	6TMREC	NRC	NO RECORD Record Mode Change	2R5	4	1	4,016,839:27:0	
2244	97	177	20:27:35.400		DMS:	: *READY	RDY, TRACK 3, FWD, TIC *1260.86 +/-	2R5	4	1	4,016,839:28:8	
2245	97	177	20:28:20.800	C9JNGRS05101-		-----STOP-----		2R5	4	1	:	:
2246	97	177	20:36:00.200	488U6A	6TMSED	NORM,GL8	Sci, Eng, and D/L Chan	2R5	4	1	4,016,847:58:0	
2247	97	177	20:39:28.133	C9JNGRS05102-		-----START-----		2R5	4	1	:	:
2248	97	177	20:40:24.200	165DQ4A	7SCAN	NORM,262.829998,	Check S/P Position	2R5	4	1	4,016,851:90:0	
2249	97	177	20:44:16.200	175DQ422A6A	6DMSC	R7,3	DMS Control	2R5	4	1	4,016,855:74:0	
2250	97	177	20:44:16.200		DMS:	: *E4-DELAY	RDY, TRACK *1, FWD, TIC 1260.86 +/-	2R5	4	1	4,016,855:74:0	
2251	97	177	20:44:18.200	117DQ	CSMOS	GS	***** GROUP START CSMOS	2R5	4	1	4,016,855:77:0	
2252	97	177	20:44:22.866		DMS:	: *RUNUP	R7, TRACK *3, FWD, TIC 1260.86 +/-	2R5	4	1	4,016,855:84:0	
2253	97	177	20:44:24.200	175DQ176A6A	6TMREC	LPU	7.68 KBPS NIMS-UVS-PPR RECORD Record Mode	2R5	4	1	4,016,855:86:0	

Line	YR	DOY	SCET - GMT	PSID	Command	Parameters	Description	GCM	GO	GS	RIM	MFI
2254	97	177	20:44:24.266		DMS:	:*RECORD	R7, TRACK 3, FWD, TIC *1260.98 +/-	2R5	4	1	4,016,855:86:1	
2255	97	177	20:44:24.266		DMS:	:*AT SPD	R7, TRACK 3, FWD, TIC 1260.98 +/-	2R5	4	1	4,016,855:86:1	
2256	97	177	20:44:27.533		C9JNGRS05102- NIMPBK	301DK	JUPITER GREAT RED SPOT 51 DEGREE	2R5	4	1	:	:
2257	97	177	20:44:27.533	117DQ105A106A4A	7STRP	-0.021703,0.0,0.0,	Slew = 0.11	2R5	4	1	4,016,856:00:0	
2258	97	177	20:47:45.533		C9JNGRS05102- DESELC	300DK	JUPITER GREAT RED SPOT 51 DEGREE	2R5	4	1	:	:
2259	97	177	20:47:47.533		DMS:	:*RUNDOWN	R7, TRACK 3, FWD, TIC *1308.62 +/-	2R5	4	1	4,016,859:27:0	
2260	97	177	20:47:47.533	117DQ111A	C9JNGRS05102- CSMOS	GE	**** GROUP END CSMOS	2R5	4	1	4,016,859:27:0	
2261	97	177	20:47:47.533	175DQ422A6B	6DMSC	RDY,0	DMS Control Tape stop	2R5	4	1	4,016,859:27:0	
2262	97	177	20:47:47.533	175DQ6A	6TMREC	NRC	NO RECORD Record Mode Change	2R5	4	1	4,016,859:27:0	
2263	97	177	20:47:48.733		DMS:	:*READY	RDY, TRACK 3, FWD, TIC *1308.68 +/-	2R5	4	1	4,016,859:28:8	
2264	97	177	20:48:34.133		C9JNGRS05102- STOP	*****	*****STOP*****	2R5	4	1	:	:
2265	97	177	20:49:30.200	165GX4A	7SCAN	NORM,261:353996,	Check S/P Position	2R5	4	1	4,016,860:90:0	
2266	97	177	20:51:51.533	488U6B	6TMSED	NORM,GL6	Sci. Eng. and D/L Chan	2R5	4	1	4,016,863:29:0	
2267	97	177	20:53:24.200	117GX	CSMOS	GS	**** GROUP START CSMOS	2R5	4	1	4,016,864:77:0	
2268	97	177	20:53:33.533	117GX105A106A4A	7STRP	0.002,-0.016002,	Slew = 0.41	2R5	4	1	4,016,865:00:0	
2269	97	177	20:53:33.533	176GX6A	6TMREC	BPT	7.68 KBPS PPR BURST TO TAPE Record Mode C	2R5	4	1	4,016,865:00:0	
2270	97	177	20:54:27.533	117GX105A106A4B	7STRP	0.0,0.016002,0.0	Slew = 7.91	2R5	4	1	4,016,865:81:0	
2271	97	177	20:54:40.866	117GX105A106A4C	7STRP	0.002,-0.016002,	Slew = 0.41	2R5	4	1	4,016,866:10:0	
2272	97	177	20:55:34.866	117GX105A106A4D	7STRP	0.0,0.016002,0.0	Slew = 7.91	2R5	4	1	4,016,867:00:0	
2273	97	177	20:55:48.200	117GX105A106A4E	7STRP	0.002,-0.016002,	Slew = 0.41	2R5	4	1	4,016,867:20:0	
2274	97	177	20:56:42.200	117GX105A106A4F	7STRP	0.0,0.016002,0.0	Slew = 7.91	2R5	4	1	4,016,868:10:0	
2275	97	177	20:56:55.533	117GX105A106A4G	7STRP	0.002,-0.016002,	Slew = 0.41	2R5	4	1	4,016,868:30:0	
2276	97	177	20:57:49.533	117GX105A106A4H	7STRP	0.0,0.016002,0.0	Slew = 7.91	2R5	4	1	4,016,869:20:0	
2277	97	177	20:58:02.866	117GX105A106A4I	7STRP	0.002,-0.016002,	Slew = 0.41	2R5	4	1	4,016,869:40:0	
2278	97	177	20:58:56.866	117GX105A106A4J	7STRP	0.0,0.016002,0.0	Slew = 7.91	2R5	4	1	4,016,870:30:0	
2279	97	177	20:59:10.200	117GX105A106A4K	7STRP	0.002,-0.016002,	Slew = 0.41	2R5	4	1	4,016,870:50:0	
2280	97	177	21:00:04.200	117GX105A106A4L	7STRP	0.0,0.016002,0.0	Slew = 7.91	2R5	4	1	4,016,871:40:0	
2281	97	177	21:00:17.533	117GX105A106A4M	7STRP	0.002,-0.016002,	Slew = 0.41	2R5	4	1	4,016,871:60:0	
2282	97	177	21:01:11.533	117GX105A106A4N	7STRP	0.0,0.016002,0.0	Slew = 7.91	2R5	4	1	4,016,872:50:0	
2283	97	177	21:01:24.866	117GX105A106A4O	7STRP	0.002,-0.016002,	Slew = 0.41	2R5	4	1	4,016,872:70:0	
2284	97	177	21:02:18.866	117GX105A106A4P	7STRP	0.0,0.016002,0.0	Slew = 7.91	2R5	4	1	4,016,873:60:0	
2285	97	177	21:02:32.200	117GX105A106A4Q	7STRP	0.002,-0.016002,	Slew = 0.41	2R5	4	1	4,016,873:80:0	
2286	97	177	21:03:26.200	117GX105A106A4R	7STRP	0.0,0.016002,0.0	Slew = 7.91	2R5	4	1	4,016,874:70:0	
2287	97	177	21:03:39.533	117GX105A106A4S	7STRP	0.002,-0.016002,	Slew = 0.41	2R5	4	1	4,016,874:90:0	
2288	97	177	21:04:33.533	117GX105A106A4T	7STRP	0.0,0.016002,0.0	Slew = 7.91	2R5	4	1	4,016,875:80:0	
2289	97	177	21:04:46.866	117GX105A106A4U	7STRP	0.002,-0.016002,	Slew = 0.41	2R5	4	1	4,016,876:09:0	
2290	97	177	21:05:40.866	117GX105A106A4V	7STRP	0.0,0.016002,0.0	Slew = 7.91	2R5	4	1	4,016,876:90:0	
2291	97	177	21:05:54.200	117GX105A106A4W	7STRP	0.002,-0.016002,	Slew = 0.41	2R5	4	1	4,016,877:19:0	
2292	97	177	21:06:48.200	117GX105A106A4X	7STRP	0.0,0.016002,0.0	Slew = 7.91	2R5	4	1	4,016,878:09:0	
2293	97	177	21:07:01.533	117GX105A106A4Y	7STRP	0.002,-0.016002,	Slew = 0.41	2R5	4	1	4,016,878:29:0	
2294	97	177	21:07:55.533	117GX105A106A4Z	7STRP	0.0,0.016002,0.0	Slew = 7.91	2R5	4	1	4,016,879:19:0	
2295	97	177	21:08:08.866	117GX105A106A4A	7STRP	0.002,-0.016002,	Slew = 0.41	2R5	4	1	4,016,879:39:0	
2296	97	177	21:09:02.866	117GX105A106A4B	7STRP	0.0,0.016002,0.0	Slew = 7.91	2R5	4	1	4,016,880:29:0	
2297	97	177	21:09:16.200	117GX105A106A4C	7STRP	0.002,-0.016002,	Slew = 0.41	2R5	4	1	4,016,880:49:0	
2298	97	177	21:10:10.200	117GX105A106A4D	7STRP	0.0,0.016002,0.0	Slew = 7.91	2R5	4	1	4,016,881:39:0	
2299	97	177	21:10:23.533	117GX105A106A4E	7STRP	0.002,-0.016002,	Slew = 0.41	2R5	4	1	4,016,881:59:0	
2300	97	177	21:10:46.200		DMS:	:*E4-DELAY	RDY, TRACK *1, FWD, TIC 1308.68 +/-	2R5	4	1	4,016,882:02:0	
2301	97	177	21:10:46.200	50Z6XX	6DMSC	RDY,0	DMS Control Tape runup 7.68kps	2R5	4	1	4,016,882:02:0	
2302	97	177	21:10:52.866		DMS:	:*RUNUP	R7, TRACK *3, FWD, TIC 1308.68 +/-	2R5	4	1	4,016,882:12:0	
2303	97	177	21:10:54.266		DMS:	:*AT SPD	R7, TRACK 3, FWD, TIC *1308.80 +/-	2R5	4	1	4,016,882:14:1	
2304	97	177	21:11:17.533	117GX105A106A4F	7STRP	0.0,0.016002,0.0	Slew = 7.91	2R5	4	1	4,016,882:49:0	
2305	97	177	21:11:21.533		DMS:	:*RECORD	R7, TRACK 3, FWD, TIC *1315.19 +/-	2R5	4	1	4,016,882:55:0	
2306	97	177	21:11:30.866	117GX105A106A4G	7STRP	0.002,-0.016002,	Slew = 0.41	2R5	4	1	4,016,882:69:0	
2307	97	177	21:11:44.200	50Z6RD	6DMSC	RDY,0	DMS Control Tape stop	2R5	4	1	4,016,882:89:0	
2308	97	177	21:11:44.200		DMS:	:*RUNDOWN	R7, TRACK 3, FWD, TIC *1320.50 +/-	2R5	4	1	4,016,882:89:0	

Line	YR	DOY	SCET - GMT	PSID	Command	Parameters	Description	GCM	GO	GS	RIM	MFI
2309	97	177	21:11:45.400		DMS:	:*READY	RDY, TRACK 3, FWD, TIC *1320.56 +/-	2R5	4	1	4,016,882:90:8	
2310	97	177	21:12:24.866	117GX105A106A4AH	7STRP	0.0,0.016002,0.0	Slew = 7.91	2R5	4	1	4,016,883:59:0	
2311	97	177	21:12:38.200	117GX105A106A4AI	7STRP	0.002,-0.016002,	Slew = 0.41	2R5	4	1	4,016,883:79:0	
2312	97	177	21:13:32.200	117GX105A106A4AJ	7STRP	0.0,0.016002,0.0	Slew = 7.91	2R5	4	1	4,016,884:69:0	
2313	97	177	21:13:45.533	117GX105A106A4AK	7STRP	0.002,-0.016002,	Slew = 0.41	2R5	4	1	4,016,884:89:0	
2314	97	177	21:14:39.533	117GX105A106A4AL	7STRP	0.0,0.016002,0.0	Slew = 7.91	2R5	4	1	4,016,885:79:0	
2315	97	177	21:14:52.866	117GX105A106A4AM	7STRP	0.002,-0.016002,	Slew = 0.41	2R5	4	1	4,016,886:08:0	
2316	97	177	21:15:46.866	117GX105A106A4AN	7STRP	0.0,0.016002,0.0	Slew = 7.91	2R5	4	1	4,016,886:89:0	
2317	97	177	21:16:00.200	117GX105A106A4AO	7STRP	0.002,-0.016002,	Slew = 0.41	2R5	4	1	4,016,887:18:0	
2318	97	177	21:16:54.200	117GX105A106A4AP	7STRP	0.0,0.016002,0.0	Slew = 7.91	2R5	4	1	4,016,888:08:0	
2319	97	177	21:17:07.533	117GX105A106A4AQ	7STRP	0.002,-0.016002,	Slew = 0.41	2R5	4	1	4,016,888:28:0	
2320	97	177	21:18:01.533	117GX105A106A4AR	7STRP	0.0,0.016002,0.0	Slew = 7.91	2R5	4	1	4,016,889:18:0	
2321	97	177	21:18:14.866	117GX105A106A4AS	7STRP	0.002,-0.016002,	Slew = 0.41	2R5	4	1	4,016,889:38:0	
2322	97	177	21:19:08.866	117GX105A106A4AT	7STRP	0.0,0.016002,0.0	Slew = 7.91	2R5	4	1	4,016,890:28:0	
2323	97	177	21:19:22.200	117GX105A106A4AU	7STRP	0.002,-0.016002,	Slew = 0.41	2R5	4	1	4,016,890:48:0	
2324	97	177	21:20:16.200	117GX105A106A4AV	7STRP	0.0,0.016002,0.0	Slew = 7.91	2R5	4	1	4,016,891:38:0	
2325	97	177	21:20:29.533	117GX105A106A4AW	7STRP	0.002,-0.016002,	Slew = 0.41	2R5	4	1	4,016,891:58:0	
2326	97	177	21:21:23.533	117GX105A106A4AX	7STRP	0.0,0.016002,0.0	Slew = 7.91	2R5	4	1	4,016,892:48:0	
2327	97	177	21:21:36.866	117GX105A106A4AY	7STRP	0.002,-0.016002,	Slew = 0.41	2R5	4	1	4,016,892:68:0	
2328	97	177	21:22:30.866	117GX11A	CSMOS	GE	**** GROUP END CSMOS	2R5	4	1	4,016,893:58:0	
2329	97	177	21:25:32.200	176GX6B	6TMREC	NRC	NO RECORD Record Mode Change	2R5	4	1	4,016,896:57:0	
2330	97	177	21:25:34.200		DMS:	:*E4-DELAY	RDY, TRACK *1, FWD, TIC 1320.56 +/-	2R5	4	1	4,016,896:60:0	
2331	97	177	21:25:34.200	50ZZ6XX	6DMSC	R7,0	DMS Control Tape runup 7.68kps	2R5	4	1	4,016,896:60:0	
2332	97	177	21:25:40.866		DMS:	:*RUNUP	R7, TRACK *3, FWD, TIC 1320.56 +/-	2R5	4	1	4,016,896:70:0	
2333	97	177	21:25:42.266		DMS:	:*AT SPD	R7, TRACK 3, FWD, TIC *1320.68 +/-	2R5	4	1	4,016,896:72:1	
2334	97	177	21:25:44.200		DMS:	:*RECORD	R7, TRACK 3, FWD, TIC *1321.14 +/-	2R5	4	1	4,016,896:75:0	
2335	97	177	21:26:03.533	50ZZ6RE	6DMSC	RDY,0	DMS Control Tape stop	2R5	4	1	4,016,897:13:0	
2336	97	177	21:26:03.533		DMS:	:*RUNDOWN	R7, TRACK 3, FWD, TIC *1325.67 +/-	2R5	4	1	4,016,897:13:0	
2337	97	177	21:26:04.733		DMS:	:*READY	RDY, TRACK 3, FWD, TIC *1325.73 +/-	2R5	4	1	4,016,897:14:8	
2338	97	177	21:45:11.466	C9JNGRS05103-	-----START-----			2R5	4	1	:	
2339	97	177	21:46:07.533	165DR4A	7SCAN	NORM,263.459,-26	Check S/P Position	2R5	4	1	4,016,916:90:0	
2340	97	177	21:49:59.533	175DR422A6A	6DMSC	R7,3	DMS Control	2R5	4	1	4,016,920:74:0	
2341	97	177	21:49:59.533		DMS:	:*E4-DELAY	RDY, TRACK *1, FWD, TIC 1325.73 +/-	2R5	4	1	4,016,920:74:0	
2342	97	177	21:50:01.533	117DR	CSMOS	GS	**** GROUP START CSMOS	2R5	4	1	4,016,920:77:0	
2343	97	177	21:50:06.200		DMS:	:*RUNUP	R7, TRACK *3, FWD, TIC 1325.73 +/-	2R5	4	1	4,016,920:84:0	
2344	97	177	21:50:07.533	175DR176A6A	6TMREC	LPD	7.68 KBPS NIMS-UVS-PPR RECORD Record Mode	2R5	4	1	4,016,920:86:0	
2345	97	177	21:50:07.600		DMS:	:*AT SPD	R7, TRACK 3, FWD, TIC 1325.85 +/-	2R5	4	1	4,016,920:86:1	
2346	97	177	21:50:07.600		DMS:	:*RECORD	R7, TRACK 3, FWD, TIC *1325.85 +/-	2R5	4	1	4,016,920:86:1	
2347	97	177	21:50:10.866	117DR105A106A4A	7STRP	-0.041023,0.0,0.0,	Slew = 0.21	2R5	4	1	4,016,921:00:0	
2348	97	177	21:50:10.866	C9JNGRS05103-	NIMPBK	300DL	JUPITER GREAT RED SPOT 51 DEGREE	2R5	4	1	:	
2349	97	177	21:53:30.866	C9JNGRS05103-	DESEL	300DL	JUPITER GREAT RED SPOT 51 DEGREE	2R5	4	1	:	
2350	97	177	21:53:30.866	117DR11A	CSMOS	GE	**** GROUP END CSMOS	2R5	4	1	4,016,924:27:0	
2351	97	177	21:53:32.866	175DR6A	6TMREC	NRC	NO RECORD Record Mode Change	2R5	4	1	4,016,924:30:0	
2352	97	177	21:53:32.866	175DR422A6B	6DMSC	RDY,0	DMS Control Tape stop	2R5	4	1	4,016,924:30:0	
2353	97	177	21:53:32.866		DMS:	:*RUNDOWN	R7, TRACK 3, FWD, TIC *1373.96 +/-	2R5	4	1	4,016,924:30:0	
2354	97	177	21:53:34.066		DMS:	:*READY	RDY, TRACK 3, FWD, TIC *1374.02 +/-	2R5	4	1	4,016,924:31:8	
2355	97	177	21:54:12.866	165DS4A	7SCAN	NORM,29.941,14.7	Check S/P Position	2R5	4	1	4,016,924:90:0	
2356	97	177	21:54:17.466	C9JNGRS05103-	-----STOP-----			2R5	4	1	:	
2357	97	177	21:54:17.532	C9NGLOBAL02-	-----START-----			2R5	4	1	:	
2358	97	177	21:56:10.200	125DS11A	NIMSNIT	GE	##### GROUP END INIT	2R5	4	1	4,016,926:84:0	
2359	97	177	21:56:10.200	125DS	NIMSNIT	GS	##### GROUP START INIT	2R5	4	1	4,016,926:84:0	
2360	97	177	21:56:10.200	125DS4A	37IST	1.2,0,OFF,0,1,1	Chopper ON, Sync, Chopper (Ref)Gain State	4R5	4	1	4,016,926:84:0	
2361	97	177	21:57:10.866	127DS	NIMSTAB	GS	%/%/% GROUP START TAB	4R5	4	1	4,016,927:84:0	
2362	97	177	21:57:10.866	127DS4A	37IOP	3,0	Long Map, Grating Start Position =00	4R3	4	0	4,016,927:84:0	
2363	97	177	21:57:11.533	127DS4B	37ETB	07,C7,02,3C,00,0	Loads wavelength edit table	4R3	4	0	4,016,927:85:0	

Line	YR	DOY	SCET - GMT	PSID	Command	Parameters	Description	GCM	GO	GS	RIM	MFI
2364	97	177	21:57:19.533	127DS11A	NIMSTAB	GE	%%%GROUP END TAB	4R3	4	0	4,016,928:06:0	
2365	97	177	21:58:04.866		DMS:	:*E4-DELAY	RDY, TRACK *1, FWD, TIC 1374.02 +/-	4R3	4	0	4,016,928:74:0	
2366	97	177	21:58:04.866	175DS422A6A	6DMSC	R7,3	DMS Control	4R3	4	0	4,016,928:74:0	
2367	97	177	21:58:06.866	117DS	CMSOS	GS	**** GROUP START CSMOS	4R3	4	0	4,016,928:77:0	
2368	97	177	21:58:11.533		DMS:	:*RUNUP	R7, TRACK *3, FWD, TIC 1374.02 +/-	4R3	4	0	4,016,928:84:0	
2369	97	177	21:58:12.866	175DS176A6A	6TMREC	LPU	7.68 KBPS NIMS-UVS-PPR RECORD Record Mode	4R3	4	0	4,016,928:86:0	
2370	97	177	21:58:12.933		DMS:	:*RECORD	R7, TRACK 3, FWD, TIC *1374.14 +/-	4R3	4	0	4,016,928:86:1	
2371	97	177	21:58:12.933		DMS:	:*AT SPD	R7, TRACK 3, FWD, TIC 1374.14 +/-	4R3	4	0	4,016,928:86:1	
2372	97	177	21:58:14.866	165DS4B	7VECT		Inert vect update UTC	4R3	4	0	4,016,928:89:0	
2373	97	177	21:58:16.200	C9GNGLOBAL02-	NIMPBK	301DM	GLOBAL SURFACE MAP	4R3	4	0	4,016,929:00:0	
2374	97	177	21:58:16.200	117DS105A106A4A	7STRP		Slew = 0.03	4R3	4	0	4,016,933:63:0	
2375	97	177	22:03:00.866	117DS105A106B4A	7STRP		Slew = 4.61	4R3	4	0	4,016,933:71:0	
2376	97	177	22:03:06.200	117DS105A106B4B	7STRP		Slew = 0.03	4R3	4	0	4,016,939:03:0	
2377	97	177	22:08:24.800	117DS105A106C4A	7STRP		Slew = 4.61	4R3	4	0	4,016,939:11:0	
2378	97	177	22:08:30.133	117DS105A106C4B	7STRP		Slew = 0.03	4R3	4	0	4,016,944:34:0	
2379	97	177	22:13:48.800	117DS105A106D4A	7STRP		Slew = 4.61	4R3	4	0	4,016,944:42:0	
2380	97	177	22:13:54.133	117DS105A106D4B	7STRP		Slew = 0.03	4R3	4	0	4,016,948:85:8	
2381	97	177	22:18:22.800	C9GNGLOBAL02-	DESEL	300DM	GLOBAL SURFACE MAP	4R3	4	0	4,016,948:81:0	
2382	97	177	22:18:22.800	117DS11A	CMSOS	GE	**** GROUP END CSMOS	4R3	4	0	4,016,948:84:0	
2383	97	177	22:18:24.800		DMS:	:*RUNDOWN	R7, TRACK 3, FWD, TIC *1658.17 +/-	4R3	4	0	4,016,948:84:0	
2384	97	177	22:18:24.800	175DS6A	6TMREC	NRC	NO RECORD Record Mode Change	4R3	4	0	4,016,948:84:0	
2385	97	177	22:18:24.800	175DS422A6B	6DMSC	RDY,0	DMS Control Tape stop	4R3	4	0	4,016,948:84:0	
2386	97	177	22:18:26.000		DMS:	:*READY	RDY, TRACK 3, FWD, TIC *1658.23 +/-	4R3	4	0	4,016,948:85:8	
2387	97	177	22:19:34.199	C9GNGLOBAL02-			-----STOP-----	4R3	4	0	4,016,952:90:0	
2388	97	177	22:22:31.466	165GZ4A	7SCAN	NORM;262.955997,	Check S/P Position	4R3	4	0	4,016,956:14:0	
2389	97	177	22:25:43.466	488U6C	6TMSED	NORM;GL5	Sci, Eng, and D/L Chan	4R3	4	0	4,016,956:77:0	
2390	97	177	22:26:25.466	117GZ	CMSOS	GS	**** GROUP START CSMOS	4R3	4	0	4,016,957:00:0	
2391	97	177	22:26:34.800	117GZ105A106A4A	7STRP		Slew = 0.26	4R3	4	0	4,016,957:00:0	
2392	97	177	22:26:34.800	176GZ6A	6TMREC	BPT	7.68 KBPS PPR BURST TO TAPE Record Mode C	4R3	4	0	4,016,957:81:0	
2393	97	177	22:27:28.800	117GZ105A106A4B	7STRP		Slew = 12.01	4R3	4	0	4,016,958:06:0	
2394	97	177	22:27:39.466	117GZ105A106A4C	7STRP		Slew = 0.26	4R3	4	0	4,016,958:12:0	
2395	97	177	22:28:33.466	117GZ105A106A4D	7STRP		Slew = 12.01	4R3	4	0	4,016,960:02:0	
2396	97	177	22:28:44.133	117GZ105A106A4E	7STRP		Slew = 0.26	4R3	4	0	4,016,960:18:0	
2397	97	177	22:29:38.133	117GZ105A106A4F	7STRP		Slew = 12.01	4R3	4	0	4,016,961:08:0	
2398	97	177	22:29:48.800	117GZ105A106A4G	7STRP		Slew = 0.26	4R3	4	0	4,016,961:24:0	
2399	97	177	22:30:42.800	117GZ105A106A4H	7STRP		Slew = 12.01	4R3	4	0	4,016,962:14:0	
2400	97	177	22:30:53.466	117GZ105A106A4I	7STRP		Slew = 0.26	4R3	4	0	4,016,962:30:0	
2401	97	177	22:31:47.466	117GZ105A106A4J	7STRP		Slew = 12.01	4R3	4	0	4,016,962:44:0	
2402	97	177	22:31:58.133	117GZ105A106A4K	7STRP		Slew = 0.26	4R3	4	0	4,016,963:36:0	
2403	97	177	22:32:07.466	488U6D	6TMSED	NORM;GL4	Sci, Eng, and D/L Chan	4R3	4	0	4,016,963:60:0	
2404	97	177	22:32:52.133	117GZ105A106A4L	7STRP		Slew = 12.01	4R3	4	0	4,016,964:26:0	
2405	97	177	22:33:02.800	117GZ105A106A4M	7STRP		Slew = 0.26	4R3	4	0	4,016,964:42:0	
2406	97	177	22:33:56.800	117GZ105A106A4N	7STRP		Slew = 12.01	4R3	4	0	4,016,965:32:0	
2407	97	177	22:34:07.466	117GZ105A106A4O	7STRP		Slew = 0.26	4R3	4	0	4,016,965:48:0	
2408	97	177	22:35:01.466	117GZ105A106A4P	7STRP		Slew = 12.01	4R3	4	0	4,016,966:38:0	
2409	97	177	22:35:12.133	117GZ105A106A4Q	7STRP		Slew = 0.26	4R3	4	0	4,016,966:54:0	
2410	97	177	22:36:06.133	117GZ105A106A4R	7STRP		Slew = 12.01	4R3	4	0	4,016,967:44:0	
2411	97	177	22:36:16.800	117GZ105A106A4S	7STRP		Slew = 0.26	4R3	4	0	4,016,967:60:0	
2412	97	177	22:37:10.800	117GZ105A106A4T	7STRP		Slew = 12.01	4R3	4	0	4,016,968:50:0	
2413	97	177	22:37:12.466	117GZ105A106A4U	7STRP		Slew = 0.26	4R3	4	0	4,016,968:66:0	
2414	97	177	22:38:15.466	117GZ105A106A4V	7STRP		Slew = 12.01	4R3	4	0	4,016,969:56:0	
2415	97	177	22:38:26.133	117GZ105A106A4W	7STRP		Slew = 0.26	4R3	4	0	4,016,969:72:0	
2416	97	177	22:39:20.133	117GZ105A106A4X	7STRP		Slew = 12.01	4R3	4	0	4,016,970:62:0	
2417	97	177	22:39:30.800	117GZ105A106A4Y	7STRP		Slew = 0.26	4R3	4	0	4,016,970:62:0	
2418	97	177	22:40:24.800	117GZ105A106A4Z	7STRP		Slew = 12.01	4R3	4	0	4,016,970:62:0	

Line	YR	DOY	SCET - GMT	PSID	Command	Parameters	Description	GCM	GO	GS	RIM	MFI
2419	97	177	22:40:35.466	117GZ105A106A4AA	7STRP	0.0,-0.0,0.10501,0,	Slew =0.26	4R3	4	0	4,016,970:78:0	
2420	97	177	22:41:29.466	117GZ105A106A4AB	7STRP	0.0016,0.010501,0,	Slew =12.01	4R3	4	0	4,016,971:68:0	
2421	97	177	22:41:40.133	117GZ105A106A4AC	7STRP	0.0,-0.0,0.10501,0,	Slew =0.26	4R3	4	0	4,016,971:84:0	
2422	97	177	22:42:34.133	117GZ105A106A4AD	7STRP	0.0016,0.010501,0,	Slew =12.01	4R3	4	0	4,016,972:74:0	
2423	97	177	22:42:44.800	117GZ105A106A4AE	7STRP	0.0,-0.0,0.10501,0,	Slew =0.26	4R3	4	0	4,016,972:90:0	
2424	97	177	22:43:38.800	117GZ11A	CSMOS	GE	***** GROUP END CSMOS	4R3	4	0	4,016,973:80:0	
2425	97	177	22:43:38.800	176GZ6B	6TMREC	NRC	NO RECORD Record Mode Change	4R3	4	0	4,016,973:80:0	
2426	97	177	22:43:40.800	50ZZ6XX	6DMSC	R7,0	DMS Control Tape runup 7.68kps	4R3	4	0	4,016,973:83:0	
2427	97	177	22:43:40.800		DMS:	:*E4-DELAY	RDY, TRACK *1, FWD, TIC 1658.23 +/-	4R3	4	0	4,016,973:83:0	
2428	97	177	22:43:47.466		DMS:	:*RUNUP	R7, TRACK *3, FWD, TIC 1658.23 +/-	4R3	4	0	4,016,974:02:0	
2429	97	177	22:43:48.866		DMS:	:*AT_SPD	R7, TRACK 3, FWD, TIC *1658.35 +/-	4R3	4	0	4,016,974:04:1	
2430	97	177	22:43:50.133	C9INCOOLCV01-		*****START*****		4R3	4	0	:	:
2431	97	177	22:43:50.800		DMS:	:*RECORD	R7, TRACK 3, FWD, TIC *1658.80 +/-	4R3	4	0	4,016,974:07:0	
2432	97	177	22:44:12.133	50ZZ6RD	6DMSC	RDY,0	DMS Control Tape stop	4R3	4	0	4,016,974:39:0	
2433	97	177	22:44:12.133		DMS:	:*RUNDOWN	R7, TRACK 3, FWD, TIC *1663.80 +/-	4R3	4	0	4,016,974:39:0	
2434	97	177	22:44:13.333		DMS:	:*READY	RDY, TRACK 3, FWD, TIC *1663.86 +/-	4R3	4	0	4,016,974:40:8	
2435	97	177	22:44:46.133	165DT4A	7SCAN	NORM,279.350998,	Check S/P Position	4R3	4	0	4,016,974:90:0	
2436	97	177	22:46:43.466	125DT4A	37IST	1,2,0,OFF,0,1,0	Chopper ON, Sync, Chopper (Ref)Gain State	2R3	4	0	4,016,976:84:0	
2437	97	177	22:46:43.466	125DT11A	NIMSINIT	GE	##### GROUP END INIT	2R3	4	0	4,016,976:84:0	
2438	97	177	22:46:43.466	125DT	NIMSINIT	GS	##### GROUP START INIT	2R3	4	0	4,016,976:84:0	
2439	97	177	22:47:44.133	127DT4A	37IOP	GS	Short Map, Grating Start Position =01	2R5	4	1	4,016,977:84:0	
2440	97	177	22:47:44.133	127DT	NIMSTAB	GS	%%%%%%%% GROUP START TAB	2R5	4	1	4,016,977:84:0	
2441	97	177	22:47:44.800	127DT4B	37ETB	,CD,02,00,00,02,	Loads wavelength edit table	2R5	4	1	4,016,977:85:0	
2442	97	177	22:47:52.800	127DT11A	NIMSTAB	GE	%%%%%%%% GROUP END TAB	2R5	4	1	4,016,978:06:0	
2443	97	177	22:48:38.133		DMS:	:*E4-DELAY	RDY, TRACK *1, FWD, TIC 1663.86 +/-	2R5	4	1	4,016,978:74:0	
2444	97	177	22:48:38.133	175DT422A6A	6DMSC	R7,3	DMS Control	2R5	4	1	4,016,978:74:0	
2445	97	177	22:48:40.133	117DT	CSMOS	GS	***** GROUP START CSMOS	2R5	4	1	4,016,978:77:0	
2446	97	177	22:48:44.800		DMS:	:*RUNUP	R7, TRACK *3, FWD, TIC 1663.86 +/-	2R5	4	1	4,016,978:84:0	
2447	97	177	22:48:46.133	175DT176A6A	6TMREC	LPU	7.68 KBPS NIMS-UVS-PPR RECORD Record Mode	2R5	4	1	4,016,978:86:0	
2448	97	177	22:48:46.200		DMS:	:*AT_SPD	R7, TRACK 3, FWD, TIC 1663.98 +/-	2R5	4	1	4,016,978:86:1	
2449	97	177	22:48:46.200		DMS:	:*RECORD	R7, TRACK 3, FWD, TIC *1663.98 +/-	2R5	4	1	4,016,978:86:1	
2450	97	177	22:48:48.133	165DT4B	7VECT		Inert vect update UTC	2R5	4	1	4,016,978:89:0	
2451	97	177	22:48:49.466	C9INCOOLCV01-	NIMPBK	301DN	NIMS IO ECLIPSE OBSERVATION (ING)	2R5	4	1	:	:
2452	97	177	22:48:49.466	117DT105A106A4A	7STRP	0.0035,0.0,0.0,0.0	Slew =0.11	2R5	4	1	4,016,979:00:0	
2453	97	177	22:49:50.133	117DT105A106A4B	7STRP	-0.0035,0.0,0.0,0.0	Slew =0.1,1.8	2R5	4	1	4,016,980:00:0	
2454	97	177	22:49:55.466	117DT105A106A4C	7STRP	0.0035,0.0,0.0,0.0	Slew =0.11	2R5	4	1	4,016,980:08:0	
2455	97	177	22:50:56.133	117DT105A106A4D	7STRP	-0.0035,0.0,0.0,0.0	Slew =0.1,1.8	2R5	4	1	4,016,981:08:0	
2456	97	177	22:51:01.466	117DT105A106A4E	7STRP	0.0035,0.0,0.0,0.0	Slew =0.11	2R5	4	1	4,016,981:16:0	
2457	97	177	22:52:02.133	117DT105A106A4F	7STRP	-0.0035,0.0,0.0,0.0	Slew =0.1,1.8	2R5	4	1	4,016,982:16:0	
2458	97	177	22:52:07.466	117DT105A106A4G	7STRP	0.0035,0.0,0.0,0.0	Slew =0.11	2R5	4	1	4,016,982:24:0	
2459	97	177	22:53:08.133	117DT105A106A4H	7STRP	-0.0035,0.0,0.0,0.0	Slew =0.1,1.8	2R5	4	1	4,016,983:24:0	
2460	97	177	22:53:13.466	117DT105A106A4I	7STRP	0.0035,0.0,0.0,0.0	Slew =0.11	2R5	4	1	4,016,983:32:0	
2461	97	177	22:54:14.133	117DT105A106A4J	7STRP	-0.0035,0.0,0.0,0.0	Slew =0.1,1.8	2R5	4	1	4,016,984:32:0	
2462	97	177	22:54:19.466	117DT105A106A4K	7STRP	0.0035,0.0,0.0,0.0	Slew =0.11	2R5	4	1	4,016,984:40:0	
2463	97	177	22:55:20.133	117DT105A106A4L	7STRP	-0.0035,0.0,0.0,0.0	Slew =0.1,1.8	2R5	4	1	4,016,985:40:0	
2464	97	177	22:55:25.466	117DT105A106A4M	7STRP	0.0035,0.0,0.0,0.0	Slew =0.11	2R5	4	1	4,016,985:48:0	
2465	97	177	22:56:26.133	117DT105A106A4N	7STRP	-0.0035,0.0,0.0,0.0	Slew =0.1,1.8	2R5	4	1	4,016,986:48:0	
2466	97	177	22:56:31.466	117DT105A106A4O	7STRP	0.0035,0.0,0.0,0.0	Slew =0.11	2R5	4	1	4,016,986:56:0	
2467	97	177	22:57:32.133	117DT11A	CSMOS	GE	***** GROUP END CSMOS	2R5	4	1	4,016,987:56:0	
2468	97	177	22:57:32.133	C9INCOOLCV01-	DESEL	300DN	NIMS IO ECLIPSE OBSERVATION (ING)	2R5	4	1	:	:
2469	97	177	22:57:57.466		DMS:	:*RUNDOWN	R7, TRACK 3, FWD, TIC *1793.18 +/-	2R5	4	1	4,016,988:03:0	
2470	97	177	22:57:57.466	175DT6A	6TMREC	NRC	NO RECORD Record Mode Change	2R5	4	1	4,016,988:03:0	
2471	97	177	22:57:57.466	175DT422A6B	6DMSC	RDY,0	DMS Control Tape stop	2R5	4	1	4,016,988:03:0	
2472	97	177	22:57:58.666		DMS:	:*READY	RDY, TRACK 3, FWD, TIC *1793.24 +/-	2R5	4	1	4,016,988:04:8	
2473	97	177	22:57:59.466	C9INCOOLCV01-		*****STOP*****		2R5	4	1	:	:

Line	YR	DOY	SCET - GMT	PSID	Command	Parameters	Description	GCM	GO	GS	RIM	MFI
2474	97	177	23:16:06.800	165IR4A	7SCAN	NORM:36.504,16.8	Check S/P Position	2R5	4	1	4,017,005:90:0	
2475	97	177	23:18:04.133	125LM4A	37IST	0.2,0,OFF,0,1,1	Gain State 4	4R5	4	1	4,017,007:84:0	
2476	97	177	23:18:04.133	125LM	NIMSINIT	GS	##### GROUP START INIT	4R5	4	1	4,017,007:84:0	
2477	97	177	23:19:04.800	125LM4B	37MB	1B,1B,0,0,0,0	Selects mirror (spatial) edit table	4R5	4	1	4,017,008:84:0	
2478	97	177	23:19:04.800	125LM11A	NIMSINIT	GE	##### GROUP END INIT	4R5	4	1	4,017,008:84:0	
2479	97	177	23:20:00.199	C9GNRTGLOB01+		-----START-----		4R5	4	1	:	:
2480	97	177	23:20:01.466	175IQ422A6A	6DMSC	R403.3	DMS Control	4R5	4	1	4,017,009:78:0	
2481	97	177	23:20:01.466		DMS:	:*E4-DELAY	RDY, TRACK *1, FWD, TIC 1793.24 +/-	4R5	4	1	4,017,009:78:0	
2482	97	177	23:20:02.133	118IR	SMOS	GS		4R5	4	1	4,017,009:79:0	
2483	97	177	23:20:05.466	127LM4A	37IOP	3,0	Long Map, Grating Start Position =00	4R3	4	0	4,017,009:84:0	
2484	97	177	23:20:05.466	127LM	NIMSTAB	GS	%%-%-%-% GROUP START TAB	4R3	4	0	4,017,009:84:0	
2485	97	177	23:20:06.133	127LM4B	37ETB	04,C4,35,FF,FF	Loads wavelength edit table	4R3	4	0	4,017,009:85:0	
2486	97	177	23:20:08.133		DMS:	:*RUNUP	R403, TRACK *3, FWD, TIC 1793.24 +/-	4R3	4	0	4,017,009:88:0	
2487	97	177	23:20:08.800	165IR4B	7VECT		Inert vect update UTC	4R3	4	0	4,017,009:89:0	
2488	97	177	23:20:11.466	175IQ176A6A	6TMREC	IM4	403.2 KBPS IMAGE RECORD Record Mode Chang	4R3	4	0	4,017,010:02:0	
2489	97	177	23:20:12.000		DMS:	:*RECORD	R403, TRACK 3, FWD, TIC *1816.24 +/-	4R3	4	0	4,017,010:02:8	
2490	97	177	23:20:12.000		DMS:	:*AT SPD	R403, TRACK 3, FWD, TIC 1816.24 +/-	4R3	4	0	4,017,010:02:8	
2491	97	177	23:20:12.133	118IR110A111A4A	7STRP	0.0,0.0,00762,26.0	Slew =,3.01	4R3	4	0	4,017,010:03:0	
2492	97	177	23:20:14.133	127LM11A	NIMSTAB	GE	%%-%-%-% GROUP END TAB	4R3	4	0	4,017,010:06:0	
2493	97	177	23:20:29.466	118IR110A111B4A	7STRP	0.00762,-0.01901	Slew =0,9,0	4R3	4	0	4,017,010:29:0	
2494	97	177	23:20:30.133	432E56A	6RTSL2	NIMSEL,AACNCG,RT	NIMS R/T SELECT	4R3	4	0	4,017,010:30:0	
2495	97	177	23:20:38.133	118IR110A111B4B	7STRP	0.0,0.0,00762,26.0	Slew =,3.01	4R3	4	0	4,017,010:42:0	
2496	97	177	23:21:04.133	118IR11A	SMOS	GE		4R3	4	0	4,017,010:81:0	
2497	97	177	23:21:10.800	175IQ422A6B	6DMSC	RDY,0	DMS Control Tape stop	4R3	4	0	4,017,011:00:0	
2498	97	177	23:21:10.800		DMS:	:*RUNDOWN	R403, TRACK 3, FWD, TIC *2539.76 +/-	4R3	4	0	4,017,011:00:0	
2499	97	177	23:21:13.533		DMS:	:*READY	RDY, TRACK 3, FWD, TIC *2543.76 +/-	4R3	4	0	4,017,011:04:1	
2500	97	177	23:22:00.199	C9GNRTGLOB01+		-----STOP-----		4R3	4	0	:	:
2501	97	177	23:23:30.800	432ET6A	6RTDS2	NIMDSL,AACNCG,RT	NIMS R/T DESELECT	4R3	4	0	4,017,013:28:0	
2502	97	177	23:25:08.800	125LN	NIMSINIT	GS	##### GROUP START INIT	4R3	4	0	4,017,014:84:0	
2503	97	177	23:25:08.800	125LN11A	NIMSINIT	GE	##### GROUP END INIT	4R3	4	0	4,017,014:84:0	
2504	97	177	23:25:08.800	125LN4A	37MB	0,0,0,0,0,0	Selects mirror (spatial) edit table	4R3	4	0	4,017,014:84:0	
2505	97	177	23:36:07.466	488U6E	6TMSED	NORM,GL5	Sci, Eng, and D/L Chan	4R3	4	0	4,017,025:71:0	
2506	97	177	23:40:22.800	165IS4A	7SCAN	NORM:259.742996,	Check S/P Position	4R3	4	0	4,017,029:90:0	
2507	97	177	23:44:17.466		DMS:	:*E4-DELAY	RDY, TRACK *1, FWD, TIC 2543.76 +/-	4R3	4	0	4,017,033:78:0	
2508	97	177	23:44:17.466	175IR422A6A	6DMSC	R115.3	DMS Control	4R3	4	0	4,017,033:78:0	
2509	97	177	23:44:24.133		DMS:	:*RUNUP	R115, TRACK *3, FWD, TIC 2543.76 +/-	4R3	4	0	4,017,033:88:0	
2510	97	177	23:44:27.466	175IR176A6A	6TMREC	HCA	115.2 KBPS IMAGE(1-200) RECORD Record Mod	4R3	4	0	4,017,034:02:0	
2511	97	177	23:44:28.133		DMS:	:*AT SPD	R115, TRACK 3, FWD, TIC 2550.06 +/-	4R3	4	0	4,017,034:03:0	
2512	97	177	23:44:28.133		DMS:	:*RECORD	R115, TRACK 3, FWD, TIC *2550.06 +/-	4R3	4	0	4,017,034:03:0	
2513	97	177	23:44:34.800		DMS:	:*RUNDOWN	R115, TRACK 3, FWD, TIC *2573.50 +/-	4R3	4	0	4,017,034:13:0	
2514	97	177	23:44:34.800	175IR422A6B	6DMSC	RDY,0	DMS Control Tape stop	4R3	4	0	4,017,034:13:0	
2515	97	177	23:44:36.000		DMS:	:*READY	RDY, TRACK 3, FWD, TIC *2574.50 +/- 1	4R3	4	0	4,017,034:14:8	
2516	97	177	23:54:32.133	165IT4A	7SCAN	NORM:285.765999,	Check S/P Position	4R3	4	0	4,017,043:90:0	
2517	97	177	23:57:33.466	165IT4B	7VECT		Inert vect update UTC	4R3	4	0	4,017,046:89:0	
2518	97	177	23:57:38.800	118IT	SMOS	GS		4R3	4	0	4,017,047:06:0	
2519	97	177	23:57:51.466	118IT110A111A4A	7STRP	-0.0035,0.0,92,0	Slew =,3.01	4R3	4	0	4,017,047:25:0	
2520	97	177	23:58:22.133	118IT11A	SMOS	GE		4R3	4	0	4,017,047:71:0	
2521	97	177	23:58:28.133		DMS:	:*E4-DELAY	RDY, TRACK *1, FWD, TIC 2574.50 +/- 1	4R3	4	0	4,017,047:80:0	
2522	97	177	23:58:28.133	175IS422A6A	6DMSC	R115.3	DMS Control	4R3	4	0	4,017,047:80:0	
2523	97	177	23:58:34.800		DMS:	:*RUNUP	R115, TRACK *3, FWD, TIC 2574.50 +/- 1	4R3	4	0	4,017,047:90:0	
2524	97	177	23:58:38.133	175IS176A6A	6TMREC	HMA	115.2 KBPS IMAGE(1-400)RECORD Record Mode	4R3	4	0	4,017,048:04:0	
2525	97	177	23:58:38.800		DMS:	:*RECORD	R115, TRACK 3, FWD, TIC *2580.80 +/- 1	4R3	4	0	4,017,048:05:0	
2526	97	177	23:58:38.800		DMS:	:*AT SPD	R115, TRACK 3, FWD, TIC 2580.80 +/- 1	4R3	4	0	4,017,048:05:0	
2527	97	177	23:59:06.133	175IS422A6B	6DMSC	RDY,0	DMS Control Tape stop	4R3	4	0	4,017,048:46:0	
2528	97	177	23:59:06.133		DMS:	:*RUNDOWN	R115, TRACK 3, FWD, TIC *2676.89 +/- 1	4R3	4	0	4,017,048:46:0	

Line	YR	DOY	SCET - GMT	PSID	Command Parameters	Description	GCM	GO	GS	RIM	MFI
2529	97	177	23:59:07.333		DMS: : *READY	RDY, TRACK 3, FWD, TIC *2677.89 +/- 1	4R3	4	0	4,017,048:47:8	
2530	97	178	00:45:00.133	488V6A	6TMSED NORM:CL5	Sci, Eng, and D/L Chan	4R3	4	0	4,017,093:82:0	
2531	97	178	00:45:00.800	282NW432A431A6A	6RCDSL DDSNCG:PLSDSL_EP	Record Deselect (DDS o	4R3	4	0	4,017,093:83:0	
2532	97	178	00:45:01.466	282NW432A6A	6RTSL1	R/T Select of DDS and	4R3	4	0	4,017,093:84:0	
2533	97	178	00:59:19.466	C9INWARMCV01-	-----START-----		4R3	4	0	:	
2534	97	178	01:00:15.466	165DU4A	7SCAN NORM:291.710999,	Check S/P Position	4R3	4	0	4,017,108:90:0	
2535	97	178	01:02:12.800	125DU4A	37IST 1.2,0,OFF,0,1,0	Chopper ON, Sync, Chopper (Ref)Gain State	2R3	4	0	4,017,110:84:0	
2536	97	178	01:02:12.800	125DU11A	NIMSINIT GE	##### GROUP END INIT	2R3	4	0	4,017,110:84:0	
2537	97	178	01:02:12.800	125DU	NIMSINIT GS	##### GROUP START INIT	2R3	4	0	4,017,110:84:0	
2538	97	178	01:03:13.466	127DU4A	37IOP 5,1	Short Map, Grating Start Position =01	2R5	4	1	4,017,111:84:0	
2539	97	178	01:03:13.466	127DU4A	GS	Short Map, Grating Start TAB	2R5	4	1	4,017,111:84:0	
2540	97	178	01:03:14.133	127DU4B	37ETB ,CD,02,00,00,02,	Loads wavelength edit table	2R5	4	1	4,017,111:85:0	
2541	97	178	01:03:22.133	127DU11A	NIMSTAB GE	%%-%-% GROUP END TAB	2R5	4	1	4,017,112:06:0	
2542	97	178	01:04:07.466		DMS: : *E4-DELAY	RDY, TRACK *1, FWD, TIC 2677.89 +/- 1	2R5	4	1	4,017,112:74:0	
2543	97	178	01:04:07.466	175DU422A6A	6DMSC R7,3	DMS Control	2R5	4	1	4,017,112:74:0	
2544	97	178	01:04:09.466	117DU	CSMOS GS	***** GROUP START CSMOS	2R5	4	1	4,017,112:77:0	
2545	97	178	01:04:14.133		DMS: : *RUNUP	R7, TRACK *3, FWD, TIC 2677.89 +/- 1	2R5	4	1	4,017,112:84:0	
2546	97	178	01:04:15.466	175DU176A6A	6TMREC LPU	7.68 KBPS NIMS-UVS-PPR RECORD Record Mode	2R5	4	1	4,017,112:86:0	
2547	97	178	01:04:15.533		DMS: : *AT_SPD	R7, TRACK 3, FWD, TIC 2678.01 +/- 1	2R5	4	1	4,017,112:86:1	
2548	97	178	01:04:15.533		DMS: : *RECORD	R7, TRACK 3, FWD, TIC *2678.01 +/- 1	2R5	4	1	4,017,112:86:1	
2549	97	178	01:04:17.466	165DU4B	7VECT	Inert vect update UTC	2R5	4	1	4,017,112:89:0	
2550	97	178	01:04:18.800	C9INWARMCV01-	NIMPBK 301DO	NIMS IO ECLIPSE OBSERVATION (EGR	2R5	4	1	:	
2551	97	178	01:04:18.800	117DU105A106A4A	7STRP 0.004,0.0,0.0,0.0,	Slew =0.11	2R5	4	1	4,017,113:00:0	
2552	97	178	01:04:58.800	117DU105A106A4B	7STRP -0.004,0.0,0.0,0.0,	Slew =0.1,8	2R5	4	1	4,017,113:60:0	
2553	97	178	01:05:06.800	117DU105A106A4C	7STRP 0.004,0.0,0.0,0.0,	Slew =0.11	2R5	4	1	4,017,113:72:0	
2554	97	178	01:05:46.800	117DU105A106A4D	7STRP -0.004,0.0,0.0,0.0,	Slew =0.1,8	2R5	4	1	4,017,114:41:0	
2555	97	178	01:05:54.800	117DU105A106A4E	7STRP 0.004,0.0,0.0,0.0,	Slew =0.11	2R5	4	1	4,017,114:53:0	
2556	97	178	01:06:34.800	117DU105A106A4F	7STRP -0.004,0.0,0.0,0.0,	Slew =0.1,8	2R5	4	1	4,017,115:22:0	
2557	97	178	01:06:42.800	117DU105A106A4G	7STRP 0.004,0.0,0.0,0.0,	Slew =0.11	2R5	4	1	4,017,115:34:0	
2558	97	178	01:07:22.800	117DU105A106A4H	7STRP -0.004,0.0,0.0,0.0,	Slew =0.1,8	2R5	4	1	4,017,116:03:0	
2559	97	178	01:07:30.800	117DU105A106A4I	7STRP 0.004,0.0,0.0,0.0,	Slew =0.11	2R5	4	1	4,017,116:15:0	
2560	97	178	01:08:10.800	117DU105A106A4J	7STRP -0.004,0.0,0.0,0.0,	Slew =0.1,8	2R5	4	1	4,017,116:75:0	
2561	97	178	01:08:18.800	117DU105A106A4K	7STRP 0.004,0.0,0.0,0.0,	Slew =0.11	2R5	4	1	4,017,116:87:0	
2562	97	178	01:08:58.800	117DU105A106A4L	7STRP -0.004,0.0,0.0,0.0,	Slew =0.1,8	2R5	4	1	4,017,117:56:0	
2563	97	178	01:09:06.800	117DU105A106A4M	7STRP 0.004,0.0,0.0,0.0,	Slew =0.11	2R5	4	1	4,017,117:68:0	
2564	97	178	01:09:46.800	117DU105A106A4N	7STRP -0.004,0.0,0.0,0.0,	Slew =0.1,8	2R5	4	1	4,017,118:37:0	
2565	97	178	01:09:54.800	117DU105A106A4O	7STRP 0.004,0.0,0.0,0.0,	Slew =0.11	2R5	4	1	4,017,118:49:0	
2566	97	178	01:10:34.800	117DU105A106A4P	7STRP -0.004,0.0,0.0,0.0,	Slew =0.1,8	2R5	4	1	4,017,119:18:0	
2567	97	178	01:10:42.800	117DU105A106A4Q	7STRP 0.004,0.0,0.0,0.0,	Slew =0.11	2R5	4	1	4,017,119:30:0	
2568	97	178	01:11:22.800	117DU105A106A4R	7STRP -0.004,0.0,0.0,0.0,	Slew =0.1,8	2R5	4	1	4,017,119:90:0	
2569	97	178	01:11:30.800	117DU105A106A4S	7STRP 0.004,0.0,0.0,0.0,	Slew =0.11	2R5	4	1	4,017,120:11:0	
2570	97	178	01:12:10.800	C9INWARMCV01-	DESEL 300DO	NIMS IO ECLIPSE OBSERVATION (EGR	2R5	4	1	:	
2571	97	178	01:12:10.800	117DU11A	CSMOS GE	***** GROUP END CSMOS	2R5	4	1	4,017,120:71:0	
2572	97	178	01:12:26.133		DMS: : *RUNDOWN	R7, TRACK 3, FWD, TIC *2793.00 +/- 1	2R5	4	1	4,017,121:03:0	
2573	97	178	01:12:26.133	175DU6A	6TMREC RDY,0	NO RECORD Record Mode Change	2R5	4	1	4,017,121:03:0	
2574	97	178	01:12:26.133	175DU422A6B	6DMSC	DMS Control Tape stop	2R5	4	1	4,017,121:03:0	
2575	97	178	01:12:27.333		DMS: : *READY	RDY, TRACK 3, FWD, TIC *2793.06 +/- 1	2R5	4	1	4,017,121:04:8	
2576	97	178	01:12:28.133	C9INWARMCV01-	-----STOP-----		2R5	4	1	:	
2577	97	178	01:38:45.466	C9INWARMCV02-	-----START-----		2R5	4	1	:	
2578	97	178	01:39:41.466	165DV4A	7SCAN NORM:295.389999,	Check S/P Position	2R5	4	1	4,017,147:90:0	
2579	97	178	01:43:33.466		DMS: : *E4-DELAY	RDY, TRACK *1, FWD, TIC 2793.06 +/- 1	2R5	4	1	4,017,151:74:0	
2580	97	178	01:43:33.466	175DV422A6A	6DMSC R7,3	DMS Control	2R5	4	1	4,017,151:74:0	
2581	97	178	01:43:35.466	117DV	CSMOS GS	***** GROUP START CSMOS	2R5	4	1	4,017,151:77:0	
2582	97	178	01:43:40.133		DMS: : *RUNUP	R7, TRACK *3, FWD, TIC 2793.06 +/- 1	2R5	4	1	4,017,151:84:0	
2583	97	178	01:43:41.466	175DV176A6A	6TMREC LPU	7.68 KBPS NIMS-UVS-PPR RECORD Record Mode	2R5	4	1	4,017,151:86:0	

Line	YR	DOY	SCET - GMT	PSID	Command	Parameters	Description	GCM	GO	GS	RIM	MFI
2584	97	178	01:43:41.533		DMS:	: *AT_SPD	R7, TRACK 3, FWD, TIC 2793.18 +/- 1	2R5	4	1	4,017,151:86:1	
2585	97	178	01:43:41.533		DMS:	: *RECORD	R7, TRACK 3, FWD, TIC *2793.18 +/- 1	2R5	4	1	4,017,151:86:1	
2586	97	178	01:43:43.466	165DV4B	7VECT		Inert vect update UTC	2R5	4	1	4,017,151:89:0	
2587	97	178	01:43:44.800	117DV105A106A4A	7STRP	0.004,0.0,0.0,0.0,	Slew = 0.11	2R5	4	1	4,017,152:00:0	
2588	97	178	01:43:44.800	C9INWARMCV02-	NIMPBK	301DP	NIMS IO ECLIPSE OBS. (POST-EGRES)	2R5	4	1	:	:
2589	97	178	01:44:24.800	117DV105A106A4B	7STRP	-0.004,0.0,0.0,0.0	Slew = 0.1, 1.8	2R5	4	1	4,017,152:60:0	
2590	97	178	01:44:32.800	117DV105A106A4C	7STRP	0.004,0.0,0.0,0.0,	Slew = 0.11	2R5	4	1	4,017,152:72:0	
2591	97	178	01:45:12.800	117DV105A106A4D	7STRP	-0.004,0.0,0.0,0.0	Slew = 0.1, 1.8	2R5	4	1	4,017,153:41:0	
2592	97	178	01:45:20.800	117DV105A106A4E	7STRP	0.004,0.0,0.0,0.0,	Slew = 0.11	2R5	4	1	4,017,153:53:0	
2593	97	178	01:46:00.800	117DV105A106A4F	7STRP	-0.004,0.0,0.0,0.0	Slew = 0.1, 1.8	2R5	4	1	4,017,154:22:0	
2594	97	178	01:46:08.800	117DV105A106A4G	7STRP	0.004,0.0,0.0,0.0,	Slew = 0.11	2R5	4	1	4,017,154:34:0	
2595	97	178	01:46:48.800	117DV105A106A4H	7STRP	-0.004,0.0,0.0,0.0	Slew = 0.1, 1.8	2R5	4	1	4,017,155:03:0	
2596	97	178	01:46:56.800	117DV105A106A4I	7STRP	0.004,0.0,0.0,0.0,	Slew = 0.11	2R5	4	1	4,017,155:15:0	
2597	97	178	01:47:36.800	117DV105A106A4J	7STRP	-0.004,0.0,0.0,0.0	Slew = 0.1, 1.8	2R5	4	1	4,017,155:75:0	
2598	97	178	01:47:44.800	117DV105A106A4K	7STRP	0.004,0.0,0.0,0.0,	Slew = 0.11	2R5	4	1	4,017,155:87:0	
2599	97	178	01:48:24.800	117DV105A106A4L	7STRP	-0.004,0.0,0.0,0.0	Slew = 0.1, 1.8	2R5	4	1	4,017,156:56:0	
2600	97	178	01:48:32.800	117DV105A106A4M	7STRP	0.004,0.0,0.0,0.0,	Slew = 0.11	2R5	4	1	4,017,156:68:0	
2601	97	178	01:48:38.133	C9INWARMCV02-	DESEL	300DP	NIMS IO ECLIPSE OBS. (POST-EGRES)	2R5	4	1	:	:
2602	97	178	01:48:40.133		DMS:	: *RUNDOWN	R7, TRACK 3, FWD, TIC *2863.16 +/- 1	2R5	4	1	4,017,156:79:0	
2603	97	178	01:48:40.133	175DV422A6B	6DMSC	RDY,0	DMS Control Tape stop	2R5	4	1	4,017,156:79:0	
2604	97	178	01:48:40.133	175DV6A	6TMREC	NRC	NO RECORD Record Mode Change	2R5	4	1	4,017,156:79:0	
2605	97	178	01:48:41.333		DMS:	: *READY	RDY, TRACK 3, FWD, TIC *2863.22 +/- 1	2R5	4	1	4,017,156:80:8	
2606	97	178	01:49:12.800	117DV11A	CSMOS	GE	**** GROUP END CSMOS	2R5	4	1	4,017,157:37:0	
2607	97	178	01:50:53.466	C9INWARMCV02-			**** STOP ****	2R5	4	1	:	:
2608	97	178	02:08:00.133	165IU4A	7SCAN	NORM;274.406998,	Check S/P Position	2R5	4	1	4,017,175:90:0	
2609	97	178	02:11:54.800		DMS:	: *E4-DELAY	RDY, TRACK *1, FWD, TIC 2863.22 +/- 1	2R5	4	1	4,017,179:78:0	
2610	97	178	02:11:54.800	175IT422A6A	6DMSC	R115.3	DMS Control	2R5	4	1	4,017,179:78:0	
2611	97	178	02:12:01.466		DMS:	: *RUNUP	R115, TRACK *3, FWD, TIC 2863.22 +/- 1	2R5	4	1	4,017,179:88:0	
2612	97	178	02:12:02.133	165IU4B	7VECT		Inert vect update UTC	2R5	4	1	4,017,179:89:0	
2613	97	178	02:12:04.800	175IT176A6A	6TMREC	HCA	115.2 KBPS IMAGE(1-200) RECORD Record Mod	2R5	4	1	4,017,180:02:0	
2614	97	178	02:12:05.466		DMS:	: *AT_SPD	R115, TRACK 3, FWD, TIC 2869.52 +/- 1	2R5	4	1	4,017,180:03:0	
2615	97	178	02:12:05.466		DMS:	: *RECORD	R115, TRACK 3, FWD, TIC *2869.52 +/- 1	2R5	4	1	4,017,180:03:0	
2616	97	178	02:12:12.133		DMS:	: *RUNDOWN	R115, TRACK 3, FWD, TIC *2892.96 +/- 1	2R5	4	1	4,017,180:13:0	
2617	97	178	02:12:12.133	175IT422A6B	6DMSC	RDY,0	DMS Control Tape stop	2R5	4	1	4,017,180:13:0	
2618	97	178	02:12:13.333		DMS:	: *READY	RDY, TRACK 3, FWD, TIC *2893.96 +/- 1	2R5	4	1	4,017,180:14:8	
2619	97	178	02:13:03.466	165IV4A	7SCAN	NORM;294.926998,	Check S/P Position	2R5	4	1	4,017,180:90:0	
2620	97	178	02:16:58.133		DMS:	: *E4-DELAY	RDY, TRACK *1, FWD, TIC 2893.96 +/- 1	2R5	4	1	4,017,184:78:0	
2621	97	178	02:16:58.133	175IU422A6A	6DMSC	R115.3	DMS Control	2R5	4	1	4,017,184:78:0	
2622	97	178	02:17:04.800		DMS:	: *RUNUP	R115, TRACK *3, FWD, TIC 2893.96 +/- 1	2R5	4	1	4,017,184:88:0	
2623	97	178	02:17:05.466	165IV4B	7VECT		Inert vect update UTC	2R5	4	1	4,017,184:89:0	
2624	97	178	02:17:08.133	175IU176A6A	6TMREC	HCA	115.2 KBPS IMAGE(1-200) RECORD Record Mod	2R5	4	1	4,017,185:02:0	
2625	97	178	02:17:08.800		DMS:	: *AT_SPD	R115, TRACK 3, FWD, TIC 2900.26 +/- 1	2R5	4	1	4,017,185:03:0	
2626	97	178	02:17:08.800		DMS:	: *RECORD	R115, TRACK 3, FWD, TIC *2900.26 +/- 1	2R5	4	1	4,017,185:03:0	
2627	97	178	02:17:15.466	175IU422A6B	6DMSC	RDY,0	DMS Control Tape stop	2R5	4	1	4,017,185:13:0	
2628	97	178	02:17:15.466		DMS:	: *RUNDOWN	R115, TRACK 3, FWD, TIC *2923.70 +/- 1	2R5	4	1	4,017,185:13:0	
2629	97	178	02:17:16.666		DMS:	: *READY	RDY, TRACK 3, FWD, TIC *2924.70 +/- 1	2R5	4	1	4,017,185:14:8	
2630	97	178	02:32:16.133	165CF4A	7SCAN	NORM;313.762997,	Check S/P Position	2R5	4	1	4,017,199:90:0	
2631	97	178	02:36:18.133	165CF4B	7VECT		Inert vect update UTC	2R5	4	1	4,017,203:89:0	
2632	97	178	03:00:00.133	481UG4A	7VECT	BB1	Inert vect update UTC	2R5	4	1	4,017,227:38:0	
2633	97	178	03:00:21.466	165HB4A	7SCAN	NORM;283.000999,	Check S/P Position	2R5	4	1	4,017,227:70:0	
2634	97	178	03:03:28.133	117HB	CSMOS	GS	**** GROUP START CSMOS	2R5	4	1	4,017,230:77:0	
2635	97	178	03:03:37.466	117HB105A106A4A	7STRP	0.061076,0.0,0.0	Slew = 0.41	2R5	4	1	4,017,231:00:0	
2636	97	178	03:03:37.466	176HB6A	6TMREC	BPT	7.68 KBPS PPR BURST TO TAPE Record Mode C	2R5	4	1	4,017,231:00:0	
2637	97	178	03:06:14.800	117HB105A106A4B	7STRP	-0.060072,-0.001	Slew = 12.01	2R5	4	1	4,017,233:54:0	
2638	97	178	03:06:28.133	117HB105A106A4C	7STRP	0.061076,0.0,0.0	Slew = 0.41	2R5	4	1	4,017,233:74:0	

Line	YR	DOY	SCET - GMT	PSID	Command	Parameters	Description	GCM	GO	GS	RIM	MFI
2639	97	178	03:09:05.466	117HB105A106A4D	7STRP	-0.060072,-0.001	Slew =12.01	2R5	4	1	4,017,236:37.0	
2640	97	178	03:09:18.800	117HB105A106A4E	7STRP	0.061076,0.0,0.0	Slew = 0.41	2R5	4	1	4,017,236:57.0	
2641	97	178	03:11:56.133	117HB105A106A4F	7STRP	-0.060072,-0.001	Slew =12.01	2R5	4	1	4,017,239:20.0	
2642	97	178	03:12:09.466	117HB105A106A4G	7STRP	0.061076,0.0,0.0	Slew = 0.41	2R5	4	1	4,017,239:40.0	
2643	97	178	03:14:46.800	117HB105A106A4H	7STRP	-0.060072,-0.001	Slew =12.01	2R5	4	1	4,017,242:03.0	
2644	97	178	03:15:00.133	117HB105A106A4I	7STRP	0.061076,0.0,0.0	Slew =,0.41	2R5	4	1	4,017,242:23.0	
2645	97	178	03:17:37.466	117HB105A106A4J	7STRP	-0.060072,-0.001	Slew =12.01	2R5	4	1	4,017,244:77.0	
2646	97	178	03:17:50.800	117HB105A106A4K	7STRP	0.061076,0.0,0.0	Slew =,0.41	2R5	4	1	4,017,245:06.0	
2647	97	178	03:20:28.133	117HB105A106A4L	7STRP	-0.060072,-0.001	Slew =12.01	2R5	4	1	4,017,247:60.0	
2648	97	178	03:20:41.466	117HB105A106A4M	7STRP	0.061076,0.0,0.0	Slew =,0.41	2R5	4	1	4,017,247:80.0	
2649	97	178	03:20:50.133	50ZZ6XX	6DMSC	R7,0	DMS Control Tape runup 7.68kps	2R5	4	1	4,017,248:02.0	
2650	97	178	03:20:50.133		DMS:	:*E4-DELAY	RDY, TRACK *1, FWD, TIC 2924.70 +/- 1	2R5	4	1	4,017,248:02.0	
2651	97	178	03:20:56.800		DMS:	:*RUNUP	R7, TRACK *3, FWD, TIC 2924.70 +/- 1	2R5	4	1	4,017,248:12.0	
2652	97	178	03:20:58.200		DMS:	:*AT_SPD	R7, TRACK 3, FWD, TIC *2924.82 +/- 1	2R5	4	1	4,017,248:14.1	
2653	97	178	03:21:25.466		DMS:	:*RECORD	R7, TRACK 3, FWD, TIC *2931.21 +/- 1	2R5	4	1	4,017,248:55.0	
2654	97	178	03:21:48.133		DMS:	:*RUNDOWN	R7, TRACK 3, FWD, TIC *2936.52 +/- 1	2R5	4	1	4,017,248:89.0	
2655	97	178	03:21:48.133	50ZZ6RE	6DMSC	RDY,0	DMS Control Tape stop	2R5	4	1	4,017,248:89.0	
2656	97	178	03:21:49.333		DMS:	:*READY	RDY, TRACK 3, FWD, TIC *2936.58 +/- 1	2R5	4	1	4,017,248:90.8	
2657	97	178	03:23:18.800	117HB105A106A4N	7STRP	-0.060072,-0.001	Slew =12.01	2R5	4	1	4,017,250:43.0	
2658	97	178	03:23:32.133	117HB105A106A4O	7STRP	0.061076,0.0,0.0	Slew =,0.41	2R5	4	1	4,017,250:63.0	
2659	97	178	03:26:09.466	117HB105A106A4P	7STRP	-0.060072,-0.001	Slew =12.01	2R5	4	1	4,017,253:26.0	
2660	97	178	03:26:22.800	117HB105A106A4Q	7STRP	0.061076,0.0,0.0	Slew = 0.41	2R5	4	1	4,017,253:46.0	
2661	97	178	03:29:00.133	117HB105A106A4R	7STRP	-0.060072,-0.001	Slew =12.01	2R5	4	1	4,017,256:09.0	
2662	97	178	03:29:13.466	117HB105A106A4S	7STRP	0.061076,0.0,0.0	Slew = 0.41	2R5	4	1	4,017,256:29.0	
2663	97	178	03:31:50.800	117HB105A106A4T	7STRP	-0.060072,-0.001	Slew =12.01	2R5	4	1	4,017,258:83.0	
2664	97	178	03:32:04.133	117HB105A106A4U	7STRP	0.061076,0.0,0.0	Slew =,0.41	2R5	4	1	4,017,259:12.0	
2665	97	178	03:34:41.466	117HB11A	CSMOS	GE	***** GROUP END CSMOS	2R5	4	1	4,017,261:66.0	
2666	97	178	03:34:58.133	176HB6B	6TMREC	NRC	NO RECORD Record Mode Change	2R5	4	1	4,017,262:00.0	
2667	97	178	03:35:00.133		DMS:	:*E4-DELAY	RDY, TRACK *1, FWD, TIC 2936.58 +/- 1	2R5	4	1	4,017,262:03.0	
2668	97	178	03:35:00.133	50ZZ6XX	6DMSC	R7,0	DMS Control Tape runup 7.68kps	2R5	4	1	4,017,262:03.0	
2669	97	178	03:35:06.800		DMS:	:*RUNUP	R7, TRACK *3, FWD, TIC 2936.58 +/- 1	2R5	4	1	4,017,262:13.0	
2670	97	178	03:35:08.200		DMS:	:*AT_SPD	R7, TRACK 3, FWD, TIC *2936.70 +/- 1	2R5	4	1	4,017,262:15.1	
2671	97	178	03:35:10.133		DMS:	:*RECORD	R7, TRACK 3, FWD, TIC *2937.15 +/- 1	2R5	4	1	4,017,262:18.0	
2672	97	178	03:35:29.466		DMS:	:*RUNDOWN	R7, TRACK 3, FWD, TIC *2941.68 +/- 1	2R5	4	1	4,017,262:47.0	
2673	97	178	03:35:29.466	50ZZ6RD	6DMSC	RDY,0	DMS Control Tape stop	2R5	4	1	4,017,262:47.0	
2674	97	178	03:35:30.666		DMS:	:*READY	RDY, TRACK 3, FWD, TIC *2941.74 +/- 1	2R5	4	1	4,017,262:48.8	
2675	97	178	03:46:04.800	165IW4A	7SCAN	NORM,318.954998,	Check S/P Position	2R5	4	1	4,017,272:90.0	
2676	97	178	03:49:58.133	175IV422A6A	6DMSC	R806,3	DMS Control	2R5	4	1	4,017,276:76.0	
2677	97	178	03:49:58.133		DMS:	:*E4-DELAY	RDY, TRACK *1, FWD, TIC 2941.74 +/- 1	2R5	4	1	4,017,276:76.0	
2678	97	178	03:50:04.800		DMS:	:*RUNUP	R806, TRACK *3, FWD, TIC 2941.74 +/- 1	2R5	4	1	4,017,276:86.0	
2679	97	178	03:50:06.800	165IW4B	7VECT		Inert vect update UTC	2R5	4	1	4,017,276:89.0	
2680	97	178	03:50:08.800	118IW	SMOS	GS		2R5	4	1	4,017,277:01.0	
2681	97	178	03:50:09.466	175IV176A6A	6TMREC	IM8	806.4 KBPS IMAGE RECORD Record Mode Chang	2R5	4	1	4,017,277:02.0	
2682	97	178	03:50:10.066		DMS:	:*AT_SPD	R806, TRACK 3, FWD, TIC 3007.74 +/- 1	2R5	4	1	4,017,277:02.9	
2683	97	178	03:50:10.066		DMS:	:*RECORD	R806, TRACK 3, FWD, TIC *3007.74 +/- 1	2R5	4	1	4,017,277:02.9	
2684	97	178	03:50:13.466		DMS:	:*RUNDOWN	R806, TRACK 3, FWD, TIC *3091.41 +/- 1	2R5	4	1	4,017,277:08.0	
2685	97	178	03:50:13.466	175IV422A6B	6DMSC	RDY,0	DMS Control Tape stop	2R5	4	1	4,017,277:08.0	
2686	97	178	03:50:16.200		DMS:	:*READY	RDY, TRACK 3, FWD, TIC *3102.91 +/- 1	2R5	4	1	4,017,277:12.1	
2687	97	178	03:50:18.800	118IW110A111A4A	7STRP	0.0034,0.0,26.0,	Slew =,3.01	2R5	4	1	4,017,277:16.0	
2688	97	178	03:50:24.133		DMS:	:*E4-DELAY	RDY, TRACK *1, FWD, TIC 3102.91 +/- 1	2R5	4	1	4,017,277:24.0	
2689	97	178	03:50:24.133	175IW422A6A	6DMSC	R806,3	DMS Control	2R5	4	1	4,017,277:24.0	
2690	97	178	03:50:27.466	118IW110A111A4B	7STRP	-0.0034,0.0,0.0,	Slew =0.50	2R5	4	1	4,017,277:29.0	
2691	97	178	03:50:30.800		DMS:	:*RUNUP	R806, TRACK *3, FWD, TIC 3102.91 +/- 1	2R5	4	1	4,017,277:34.0	
2692	97	178	03:50:35.466	175IW176A6A	6TMREC	IM8	806.4 KBPS IMAGE RECORD Record Mode Chang	2R5	4	1	4,017,277:41.0	
2693	97	178	03:50:36.066		DMS:	:*RECORD	R806, TRACK 3, FWD, TIC *3168.91 +/- 1	2R5	4	1	4,017,277:41.9	

Line	YR	DOY	SCET - GMT	PSID	Command	Parameters	Description	GCM	GO	GS	RIM	MFI
2694	97	178	03:50:36.066		DMS:	:*AT_SPD	R806, TRACK 3, FWD, TIC 3168.91 +/- 1	2R5	4	1	4,017,277:41:9	
2695	97	178	03:50:39.466	175IW422A6B	6DMSC	RDY,0	DMS Control Tape stop	2R5	4	1	4,017,277:47:0	
2696	97	178	03:50:39.466		DMS:	:* RUNDOWN	R806, TRACK 3, FWD, TIC *3252.59 +/- 1	2R5	4	1	4,017,277:47:0	
2697	97	178	03:50:42.200		DMS:	:*READY	RDY, TRACK 3, FWD, TIC *3264.09 +/- 2	2R5	4	1	4,017,277:51:1	
2698	97	178	03:50:44.800	118IW110A111A4C	7STRP	0.0034,0.0,26.0,	Slew = -3.01	2R5	4	1	4,017,277:55:0	
2699	97	178	03:50:50.133	175IX422A6A	6DMSC	R806,3	DMS Control	2R5	4	1	4,017,277:63:0	
2700	97	178	03:50:50.133		DMS:	:*E4-DELAY	RDY, TRACK *1, FWD, TIC 3264.09 +/- 2	2R5	4	1	4,017,277:63:0	
2701	97	178	03:50:53.466	118IW110A111A4D	7STRP	-0.0034,0.0,0.0,	Slew =0.5.0	2R5	4	1	4,017,277:68:0	
2702	97	178	03:50:56.800		DMS:	:*RUNUP	R806, TRACK *3, FWD, TIC 3264.09 +/- 2	2R5	4	1	4,017,277:73:0	
2703	97	178	03:51:01.466	175IX176A6A	6TMREC	IM8	806.4 KBPS IMAGE RECORD Record Mode Chang	2R5	4	1	4,017,277:80:0	
2704	97	178	03:51:02.066		DMS:	:*AT_SPD	R806, TRACK 3, FWD, TIC 3330.09 +/- 2	2R5	4	1	4,017,277:80:9	
2705	97	178	03:51:02.066		DMS:	:* RECORD	R806, TRACK 3, FWD, TIC *3330.09 +/- 2	2R5	4	1	4,017,277:80:9	
2706	97	178	03:51:05.466	175IX422A6B	6DMSC	RDY,0	DMS Control Tape stop	2R5	4	1	4,017,277:86:0	
2707	97	178	03:51:05.466		DMS:	:* RUNDOWN	R806, TRACK 3, FWD, TIC *3413.76 +/- 2	2R5	4	1	4,017,277:86:0	
2708	97	178	03:51:09.200		DMS:	:*READY	RDY, TRACK 3, FWD, TIC *3425.26 +/- 2	2R5	4	1	4,017,277:90:1	
2709	97	178	03:51:10.800	118IW110A111A4E	7STRP	0.0034,0.0,26.0,	Slew =-3.01	2R5	4	1	4,017,278:03:0	
2710	97	178	03:51:19.466	118IW111A	SMOS	GE		2R5	4	1	4,017,278:16:0	
2711	97	178	03:52:08.800	165CO4A	7SCAN	NORM,319.545998,	Check S/P Position	2R5	4	1	4,017,278:90:0	
2712	97	178	03:56:10.800	165CO4B	7VECT		Inert vect update UTC	2R5	4	1	4,017,282:89:0	
2713	97	178	04:28:32.800	165HD4A	7SCAN	NORM,285.419998,	Check S/P Position	2R5	4	1	4,017,314:90:0	
2714	97	178	04:32:26.800	117HD	CSMOS	GS	***** GROUP START CSMOS	2R5	4	1	4,017,318:77:0	
2715	97	178	04:32:36.133	117HD105A106A4A	7STRP	0.0,-0.015003,0,	Slew = 0.55	2R5	4	1	4,017,319:00:0	
2716	97	178	04:32:36.133	176HD6A	6TMREC	BPT	7.68 KBPS PPR BURST TO TAPE Record Mode C	2R5	4	1	4,017,319:00:0	
2717	97	178	04:33:36.800	117HD105A106A4B	7STRP	0.0018,0.015003,	Slew =12.01	2R5	4	1	4,017,320:00:0	
2718	97	178	04:33:47.466	117HD105A106A4C	7STRP	0.0,-0.015003,0,	Slew =-0.55	2R5	4	1	4,017,320:16:0	
2719	97	178	04:34:48.133	117HD105A106A4D	7STRP	0.0018,0.015003,	Slew =12.01	2R5	4	1	4,017,321:16:0	
2720	97	178	04:34:58.800	117HD105A106A4E	7STRP	0.0,-0.015003,0,	Slew = 0.55	2R5	4	1	4,017,321:32:0	
2721	97	178	04:35:59.466	117HD105A106A4F	7STRP	0.0018,0.015003,	Slew =12.01	2R5	4	1	4,017,322:32:0	
2722	97	178	04:36:10.133	117HD105A106A4G	7STRP	0.0,-0.015003,0,	Slew = 0.55	2R5	4	1	4,017,322:48:0	
2723	97	178	04:37:10.800	117HD105A106A4H	7STRP	0.0018,0.015003,	Slew =12.01	2R5	4	1	4,017,323:48:0	
2724	97	178	04:37:21.466	117HD105A106A4I	7STRP	0.0,-0.015003,0,	Slew =-0.55	2R5	4	1	4,017,323:64:0	
2725	97	178	04:38:22.133	117HD105A106A4J	7STRP	0.0018,0.015003,	Slew =12.01	2R5	4	1	4,017,324:64:0	
2726	97	178	04:38:32.800	117HD105A106A4K	7STRP	0.0,-0.015003,0,	Slew =-0.55	2R5	4	1	4,017,324:80:0	
2727	97	178	04:39:33.466	117HD105A106A4L	7STRP	0.0018,0.015003,	Slew =12.01	2R5	4	1	4,017,325:80:0	
2728	97	178	04:39:44.133	117HD105A106A4M	7STRP	0.0,-0.015003,0,	Slew =-0.55	2R5	4	1	4,017,326:05:0	
2729	97	178	04:40:44.800	117HD105A106A4N	7STRP	0.0018,0.015003,	Slew =12.01	2R5	4	1	4,017,327:05:0	
2730	97	178	04:40:55.466	117HD105A106A4O	7STRP	0.0,-0.015003,0,	Slew = 0.55	2R5	4	1	4,017,327:21:0	
2731	97	178	04:41:56.133	117HD105A106A4P	7STRP	0.0018,0.015003,	Slew =12.01	2R5	4	1	4,017,328:21:0	
2732	97	178	04:42:06.800	117HD105A106A4Q	7STRP	0.0,-0.015003,0,	Slew = 0.55	2R5	4	1	4,017,328:37:0	
2733	97	178	04:43:07.466	117HD105A106A4R	7STRP	0.0018,0.015003,	Slew =12.01	2R5	4	1	4,017,329:37:0	
2734	97	178	04:43:18.133	117HD105A106A4S	7STRP	0.0,-0.015003,0,	Slew =-0.55	2R5	4	1	4,017,329:53:0	
2735	97	178	04:44:18.800	117HD105A106A4T	7STRP	0.0018,0.015003,	Slew =12.01	2R5	4	1	4,017,330:53:0	
2736	97	178	04:44:29.466	117HD105A106A4U	7STRP	0.0,-0.015003,0,	Slew =-0.55	2R5	4	1	4,017,330:69:0	
2737	97	178	04:45:30.133	117HD105A106A4V	7STRP	0.0018,0.015003,	Slew =12.01	2R5	4	1	4,017,331:69:0	
2738	97	178	04:45:40.800	117HD105A106A4W	7STRP	0.0,-0.015003,0,	Slew =-0.55	2R5	4	1	4,017,331:85:0	
2739	97	178	04:46:41.466	117HD105A106A4X	7STRP	0.0018,0.015003,	Slew =12.01	2R5	4	1	4,017,332:85:0	
2740	97	178	04:46:52.133	117HD105A106A4Y	7STRP	0.0,-0.015003,0,	Slew = 0.55	2R5	4	1	4,017,333:10:0	
2741	97	178	04:47:52.800	117HD105A106A4Z	7STRP	0.0018,0.015003,	Slew =12.01	2R5	4	1	4,017,334:10:0	
2742	97	178	04:48:03.466	117HD105A106A4AA	7STRP	0.0,-0.015003,0,	Slew = 0.55	2R5	4	1	4,017,334:26:0	
2743	97	178	04:49:04.133	117HD105A106A4AB	7STRP	0.0018,0.015003,	Slew =12.01	2R5	4	1	4,017,335:26:0	
2744	97	178	04:49:14.800	117HD105A106A4AC	7STRP	0.0,-0.015003,0,	Slew =-0.55	2R5	4	1	4,017,335:42:0	
2745	97	178	04:49:48.800		DMS:	:*E4-DELAY	RDY, TRACK *1, FWD, TIC 3425.26 +/- 2	2R5	4	1	4,017,336:02:0	
2746	97	178	04:49:48.800	50ZZ6XX	6DMSC	R7,0	DMS Control Tape runup 7.68kps	2R5	4	1	4,017,336:02:0	
2747	97	178	04:49:55.466		DMS:	:*RUNUP	R7, TRACK *3, FWD, TIC 3425.26 +/- 2	2R5	4	1	4,017,336:12:0	
2748	97	178	04:49:56.866		DMS:	:*AT_SPD	R7, TRACK 3, FWD, TIC *3425.38 +/- 2	2R5	4	1	4,017,336:14:1	

Line	YR	DOY	SCET - GMT	PSID	Command	Parameters	Description	GCM	GO	GS	RIM	MFI
2749	97	178	04:50:15.466	117HD105A106A4AD	7STRP	0.0018.0.015003.0	Slew =12.01	2R5	4	1	4,017,336:42.0	
2750	97	178	04:50:24.133		DMS:	:*RECORD	R7, TRACK 3, FWD, TIC *3431.77 +/- 2	2R5	4	1	4,017,336:55.0	
2751	97	178	04:50:26.133	117HD105A106A4AE	7STRP	0.0.-0.015003.0	Slew =0.55	2R5	4	1	4,017,336:58.0	
2752	97	178	04:50:46.800		DMS:	:*RUNDOWN	R7, TRACK 3, FWD, TIC *3437.08 +/- 2	2R5	4	1	4,017,336:89.0	
2753	97	178	04:50:46.800	50ZZ6RE	6DMSC	RDY.0	DMS Control Tape stop	2R5	4	1	4,017,336:89.0	
2754	97	178	04:50:48.000		DMS:	:*READY	RDY, TRACK 3, FWD, TIC *3437.14 +/- 2	2R5	4	1	4,017,336:90.8	
2755	97	178	04:51:26.800	117HD105A106A4AF	7STRP	0.0018.0.015003.0	Slew =12.01	2R5	4	1	4,017,337:58.0	
2756	97	178	04:51:37.466	117HD105A106A4AG	7STRP	0.0.-0.015003.0	Slew =0.55	2R5	4	1	4,017,337:74.0	
2757	97	178	04:52:38.133	117HD105A106A4AH	7STRP	0.0018.0.015003.0	Slew =12.01	2R5	4	1	4,017,338:74.0	
2758	97	178	04:52:48.800	117HD105A106A4AI	7STRP	0.0.-0.015003.0	Slew =0.55	2R5	4	1	4,017,338:90.0	
2759	97	178	04:53:49.466	117HD105A106A4AJ	7STRP	0.0018.0.015003.0	Slew =12.01	2R5	4	1	4,017,339:90.0	
2760	97	178	04:54:00.133	117HD105A106A4AK	7STRP	0.0.-0.015003.0	Slew =0.55	2R5	4	1	4,017,340:15.0	
2761	97	178	04:55:00.800	117HD105A106A4AL	7STRP	0.0018.0.015003.0	Slew =12.01	2R5	4	1	4,017,341:15.0	
2762	97	178	04:55:11.466	117HD105A106A4AM	7STRP	0.0.-0.015003.0	Slew =0.55	2R5	4	1	4,017,341:31.0	
2763	97	178	04:56:12.133	117HD105A106A4AN	7STRP	0.0018.0.015003.0	Slew =12.01	2R5	4	1	4,017,342:31.0	
2764	97	178	04:56:22.800	117HD105A106A4AO	7STRP	0.0.-0.015003.0	Slew =0.55	2R5	4	1	4,017,342:47.0	
2765	97	178	04:57:23.466	117HD105A106A4AP	7STRP	0.0018.0.015003.0	Slew =12.01	2R5	4	1	4,017,343:47.0	
2766	97	178	04:57:34.133	117HD105A106A4AQ	7STRP	0.0.-0.015003.0	Slew =0.55	2R5	4	1	4,017,343:63.0	
2767	97	178	04:58:34.800	117HD105A106A4AR	7STRP	0.0018.0.015003.0	Slew =12.01	2R5	4	1	4,017,344:63.0	
2768	97	178	04:58:45.466	117HD105A106A4AS	7STRP	0.0.-0.015003.0	Slew =0.55	2R5	4	1	4,017,344:79.0	
2769	97	178	04:59:46.133	117HD105A106A4AT	7STRP	0.0018.0.015003.0	Slew =12.01	2R5	4	1	4,017,345:79.0	
2770	97	178	04:59:56.800	117HD105A106A4AU	7STRP	0.0.-0.015003.0	Slew =0.55	2R5	4	1	4,017,346:04.0	
2771	97	178	05:00:57.466	117HD105A106A4AV	7STRP	0.0018.0.015003.0	Slew =12.01	2R5	4	1	4,017,347:04.0	
2772	97	178	05:01:08.133	117HD105A106A4AW	7STRP	0.0.-0.015003.0	Slew =0.55	2R5	4	1	4,017,347:20.0	
2773	97	178	05:02:08.800	117HD105A106A4AX	7STRP	0.0018.0.015003.0	Slew =12.01	2R5	4	1	4,017,348:20.0	
2774	97	178	05:02:19.466	117HD105A106A4AY	7STRP	0.0.-0.015003.0	Slew =0.55	2R5	4	1	4,017,348:36.0	
2775	97	178	05:03:20.133	117HD105A106A4AZ	7STRP	0.0018.0.015003.0	Slew =12.01	2R5	4	1	4,017,349:36.0	
2776	97	178	05:03:30.800	117HD105A106A4BA	7STRP	0.0.-0.015003.0	Slew =0.55	2R5	4	1	4,017,349:52.0	
2777	97	178	05:04:31.466	117HD105A106A4BB	7STRP	0.0018.0.015003.0	Slew =12.01	2R5	4	1	4,017,350:52.0	
2778	97	178	05:04:42.133	117HD105A106A4BC	7STRP	0.0.-0.015003.0	Slew =0.55	2R5	4	1	4,017,350:68.0	
2779	97	178	05:05:42.800	117HD105A106A4BD	7STRP	0.0018.0.015003.0	Slew =12.01	2R5	4	1	4,017,351:68.0	
2780	97	178	05:05:53.466	117HD105A106A4BE	7STRP	0.0.-0.015003.0	Slew =0.55	2R5	4	1	4,017,351:84.0	
2781	97	178	05:06:54.133	117HD105A106A4BF	7STRP	0.0018.0.015003.0	Slew =12.01	2R5	4	1	4,017,352:84.0	
2782	97	178	05:07:04.800	117HD105A106A4BG	7STRP	0.0.-0.015003.0	Slew =0.55	2R5	4	1	4,017,353:09.0	
2783	97	178	05:07:40.133		DMS:	:*E4-DELAY	RDY, TRACK *1, FWD, TIC 3437.14 +/- 2	2R5	4	1	4,017,353:62.0	
2784	97	178	05:07:46.800	50ZZ6XX	6DMSC	R7.0	DMS Control Tape runup 7.68kps	2R5	4	1	4,017,353:62.0	
2785	97	178	05:07:46.800		DMS:	:*RUNUP	R7, TRACK *3, FWD, TIC 3437.14 +/- 2	2R5	4	1	4,017,353:72.0	
2786	97	178	05:07:48.200		DMS:	:*AT SPD	R7, TRACK 3, FWD, TIC *3437.26 +/- 2	2R5	4	1	4,017,353:74.1	
2787	97	178	05:08:05.466	117HD105A106A4BH	7STRP	0.0018.0.015003.0	Slew =12.01	2R5	4	1	4,017,354:09.0	
2788	97	178	05:08:14.800		DMS:	:*RECORD	R7, TRACK 3, FWD, TIC *3443.50 +/- 2	2R5	4	1	4,017,354:23.0	
2789	97	178	05:08:16.133	117HD105A106A4BI	7STRP	0.0.-0.015003.0	Slew =0.55	2R5	4	1	4,017,354:25.0	
2790	97	178	05:08:37.466		DMS:	:*RUNDOWN	R7, TRACK 3, FWD, TIC *3448.81 +/- 2	2R5	4	1	4,017,354:57.0	
2791	97	178	05:08:37.466	50ZZ6RD	6DMSC	RDY.0	DMS Control Tape stop	2R5	4	1	4,017,354:57.0	
2792	97	178	05:08:38.666		DMS:	:*READY	RDY, TRACK 3, FWD, TIC *3448.87 +/- 2	2R5	4	1	4,017,354:58.8	
2793	97	178	05:09:16.800	117HD105A106A4BJ	7STRP	0.0018.0.015003.0	Slew =12.01	2R5	4	1	4,017,355:25.0	
2794	97	178	05:09:27.466	117HD105A106A4BK	7STRP	0.0.-0.015003.0	Slew =0.55	2R5	4	1	4,017,355:41.0	
2795	97	178	05:10:28.133	117HD105A106A4BL	7STRP	0.0018.0.015003.0	Slew =12.01	2R5	4	1	4,017,356:41.0	
2796	97	178	05:10:38.800	117HD105A106A4BM	7STRP	0.0.-0.015003.0	Slew =0.55	2R5	4	1	4,017,356:57.0	
2797	97	178	05:11:39.466	117HD105A106A4BN	7STRP	0.0018.0.015003.0	Slew =12.01	2R5	4	1	4,017,357:57.0	
2798	97	178	05:11:50.133	117HD105A106A4BO	7STRP	0.0.-0.015003.0	Slew =0.55	2R5	4	1	4,017,357:73.0	
2799	97	178	05:12:50.800	117HD105A106A4BP	7STRP	0.0018.0.015003.0	Slew =12.01	2R5	4	1	4,017,358:73.0	
2800	97	178	05:13:01.466	117HD105A106A4BQ	7STRP	0.0.-0.015003.0	Slew =0.55	2R5	4	1	4,017,358:89.0	
2801	97	178	05:14:02.133	117HD105A106A4BR	7STRP	0.0018.0.015003.0	Slew =12.01	2R5	4	1	4,017,359:89.0	
2802	97	178	05:14:12.800	117HD105A106A4BS	7STRP	0.0.-0.015003.0	Slew =0.55	2R5	4	1	4,017,360:14.0	
2803	97	178	05:15:13.466	117HD105A106A4BT	7STRP	0.0018.0.015003.0	Slew =12.01	2R5	4	1	4,017,361:14.0	

Line	YR	DOY	SCET - GMT	PSID	Command	Parameters	Description	GCM	GO	GS	RIM	MFI
2804	97	178	05:15:24.133	117HD105A106A4BU	7STRP	0.0,-0.015003,0,	Slew =-0.55	2R5	4	1	4,017,361:30:0	
2805	97	178	05:16:24.800	117HD105A106A4BV	7STRP	0.0018,0.015003,	Slew =12.01	2R5	4	1	4,017,362:30:0	
2806	97	178	05:16:35.466	117HD105A106A4BW	7STRP	0.0,-0.015003,0,	Slew =-0.55	2R5	4	1	4,017,362:46:0	
2807	97	178	05:17:36.133	117HD105A106A4BX	7STRP	0.0018,0.015003,	Slew =12.01	2R5	4	1	4,017,363:46:0	
2808	97	178	05:17:46.800	117HD105A106A4BY	7STRP	0.0,-0.015003,0,	Slew =-0.55	2R5	4	1	4,017,363:62:0	
2809	97	178	05:18:47.466	117HD105A106A4BZ	7STRP	0.0018,0.015003,	Slew =12.01	2R5	4	1	4,017,364:62:0	
2810	97	178	05:18:58.133	117HD105A106A4CA	7STRP	0.0,-0.015003,0,	Slew =0.55	2R5	4	1	4,017,364:78:0	
2811	97	178	05:19:58.800	117HD105A106A4CB	7STRP	0.0018,0.015003,	Slew =12.01	2R5	4	1	4,017,365:78:0	
2812	97	178	05:20:09.466	117HD105A106A4CC	7STRP	0.0,-0.015003,0,	Slew =0.55	2R5	4	1	4,017,366:03:0	
2813	97	178	05:21:10.133	117HD105A106A4CY	7STRP	0.0018,0.015003,	Slew =12.01	2R5	4	1	4,017,367:03:0	
2814	97	178	05:21:20.800	117HD105A106A4CE	7STRP	0.0,-0.015003,0,	Slew =-0.55	2R5	4	1	4,017,367:19:0	
2815	97	178	05:22:21.466	117HD105A106A4CF	7STRP	0.0018,0.015003,	Slew =12.01	2R5	4	1	4,017,368:19:0	
2816	97	178	05:22:32.133	117HD105A106A4CG	7STRP	0.0,-0.015003,0,	Slew =-0.55	2R5	4	1	4,017,368:35:0	
2817	97	178	05:23:32.800	117HD105A106A4CH	7STRP	0.0018,0.015003,	Slew =12.01	2R5	4	1	4,017,369:35:0	
2818	97	178	05:23:43.466	117HD105A106A4CI	7STRP	0.0,-0.015003,0,	Slew =-0.55	2R5	4	1	4,017,369:51:0	
2819	97	178	05:24:44.133	117HD105A106A4CJ	7STRP	0.0018,0.015003,	Slew =12.01	2R5	4	1	4,017,370:51:0	
2820	97	178	05:24:54.800	117HD105A106A4CK	7STRP	0.0,-0.015003,0,	Slew =0.55	2R5	4	1	4,017,370:67:0	
2821	97	178	05:25:31.466		DMS:	:*E4-DELAY	RDY, TRACK *1, FWD, TIC 3448.87 +/- 2	2R5	4	1	4,017,371:31:0	
2822	97	178	05:25:31.466	50ZZ6XX	6DMSC	R7,0	DMS Control Tape runup 7.68kps	2R5	4	1	4,017,371:31:0	
2823	97	178	05:25:38.133		DMS:	:*RUNUP	R7, TRACK *3, FWD, TIC 3448.87 +/- 2	2R5	4	1	4,017,371:41:0	
2824	97	178	05:25:39.533		DMS:	:*AT_SPD	R7, TRACK 3, FWD, TIC *3448.99 +/- 2	2R5	4	1	4,017,371:43:1	
2825	97	178	05:25:55.466	117HD105A106A4CL	7STRP	0.0018,0.015003,	Slew =12.01	2R5	4	1	4,017,371:67:0	
2826	97	178	05:26:06.133	117HD105A106A4CM	7STRP	0.0,-0.015003,0,	Slew =-0.55	2R5	4	1	4,017,371:83:0	
2827	97	178	05:26:06.133		DMS:	:*RECORD	R7, TRACK 3, FWD, TIC *3455.22 +/- 2	2R5	4	1	4,017,371:83:0	
2828	97	178	05:26:28.800		DMS:	:*RUNDOWN	R7, TRACK 3, FWD, TIC *3460.54 +/- 2	2R5	4	1	4,017,372:26:0	
2829	97	178	05:26:28.800	50ZZ6RE	6DMSC	RDY,0	DMS Control Tape stop	2R5	4	1	4,017,372:26:0	
2830	97	178	05:26:30.000		DMS:	:*READY	RDY, TRACK 3, FWD, TIC *3460.60 +/- 2	2R5	4	1	4,017,372:27:8	
2831	97	178	05:27:06.800	117HD105A106A4CN	7STRP	0.0018,0.015003,	Slew =12.01	2R5	4	1	4,017,372:83:0	
2832	97	178	05:27:17.466	117HD105A106A4CO	7STRP	0.0,-0.015003,0,	Slew =0.55	2R5	4	1	4,017,373:08:0	
2833	97	178	05:28:18.133	117HD105A106A4CP	7STRP	0.0018,0.015003,	Slew =12.01	2R5	4	1	4,017,374:08:0	
2834	97	178	05:28:28.800	117HD105A106A4CQ	7STRP	0.0,-0.015003,0,	Slew =-0.55	2R5	4	1	4,017,374:24:0	
2835	97	178	05:29:29.466	117HD105A106A4CR	7STRP	0.0018,0.015003,	Slew =12.01	2R5	4	1	4,017,375:24:0	
2836	97	178	05:29:40.133	117HD105A106A4CS	7STRP	0.0,-0.015003,0,	Slew =-0.55	2R5	4	1	4,017,375:40:0	
2837	97	178	05:30:40.800	117HD105A106A4CT	7STRP	0.0018,0.015003,	Slew =12.01	2R5	4	1	4,017,376:40:0	
2838	97	178	05:30:51.466	117HD105A106A4CU	7STRP	0.0,-0.015003,0,	Slew =-0.55	2R5	4	1	4,017,376:56:0	
2839	97	178	05:31:52.133	176HD6B	6TMREC	NRC	NO RECORD Record Mode Change	2R5	4	1	4,017,377:56:0	
2840	97	178	05:31:52.133	117HD11A	CSMOS	GE	***** GROUP END CSMOS	2R5	4	1	4,017,377:56:0	
2841	97	178	05:31:54.133	50ZZ6XX	6DMSC	R7,0	DMS Control Tape runup 7.68kps	2R5	4	1	4,017,377:59:0	
2842	97	178	05:31:54.133		DMS:	:*E4-DELAY	RDY, TRACK *1, FWD, TIC 3460.60 +/- 2	2R5	4	1	4,017,377:59:0	
2843	97	178	05:32:00.800		DMS:	:*RUNUP	R7, TRACK *3, FWD, TIC 3460.60 +/- 2	2R5	4	1	4,017,377:69:0	
2844	97	178	05:32:02.200		DMS:	:*AT_SPD	R7, TRACK 3, FWD, TIC *3460.72 +/- 2	2R5	4	1	4,017,377:71:1	
2845	97	178	05:32:04.133		DMS:	:*RECORD	R7, TRACK 3, FWD, TIC *3461.17 +/- 2	2R5	4	1	4,017,377:74:0	
2846	97	178	05:32:17.466	50ZZ6RD	6DMSC	RDY,0	DMS Control Tape stop	2R5	4	1	4,017,378:03:0	
2847	97	178	05:32:17.466		DMS:	:*RUNDOWN	R7, TRACK 3, FWD, TIC *3464.29 +/- 2	2R5	4	1	4,017,378:03:0	
2848	97	178	05:32:18.666	488V6B	6TMSED	NORM,CL4	RDY, TRACK 3, FWD, TIC *3464.35 +/- 2	2R5	4	1	4,017,378:04:8	
2849	97	178	05:51:35.466				Sci, Eng, and D/L Chan	2R5	4	1	4,017,397:11:0	
2850	97	178	05:53:33.466	C9NNRELOAD03-		-----START-----		2R5	4	1	:	
2851	97	178	05:54:34.133	20ED6A	6CKSUM	NIMS	NIMS,1000,14BC	2R5	4	1	4,017,400:06:0	
2852	97	178	05:55:34.800	20ED5A	37PL		Program Load (halts microprocessor & unwri	2R5	4	1	4,017,401:06:0	
2853	97	178	05:56:35.466	20ED5B	37MRL		Memory Reallocate (software operates from R	2R5	4	1	4,017,402:06:0	
2854	97	178	05:57:31.466	165IX4A	7SCAN	NORM,319:773998,	Check S/P Position	2R5	4	1	4,017,402:90:0	
2855	97	178	05:57:36.133	20ED6B	6MCOPI	NIMS	NIMS,1000,LLM1A,7300,77F7	2R5	4	1	4,017,403:06:0	
2856	97	178	05:58:36.800	20ED6C	6MCOPI	NIMS	NIMS,1598,LLM1A,77F8,781D	2R5	4	1	4,017,404:06:0	
2857	97	178	05:59:37.466	20ED5C	37IRT		Instrument Reset (goes into POR state)	260	4	0	4,017,405:06:0	
2858	97	178	06:00:38.133	20ED5D	37MNN		Memory Normal (software operates from ROM)	260	4	0	4,017,406:06:0	

Line	YR	DOY	SCET - GMT	PSID	Command	Parameters	Description	GCM	GO	GS	RIM	MFI
2859	97	178	06:01:23.466		DMS:	:*E4-DELAY	RDY, TRACK *1, FWD, TIC 3464.35 +/- 2	260	4	0	4,017,406:74:0	
2860	97	178	06:01:23.466	175Y422A6A	6DMSC	R806.3	DMS Control	260	4	0	4,017,406:74:0	
2861	97	178	06:01:30.133		DMS:	:*RUNUP	R806, TRACK *3, FWD, TIC 3464.35 +/- 2	260	4	0	4,017,406:84:0	
2862	97	178	06:01:33.466	165X4B	7VECT		Inert vect update UTC	260	4	0	4,017,406:89:0	
2863	97	178	06:01:34.800	175Y176A6A	6TMREC	A18	806.4 KBPS SSI RECORD Record Mode Change	260	4	0	4,017,407:00:0	
2864	97	178	06:01:35.400		DMS:	:*RECORD	R806, TRACK 3, FWD, TIC *3530.35 +/- 2	260	4	0	4,017,407:00:9	
2865	97	178	06:01:35.400		DMS:	:*AT SPD	R806, TRACK 3, FWD, TIC 3530.35 +/- 2	260	4	0	4,017,407:00:9	
2866	97	178	06:01:38.800	20ED4A	37IST	1,2,0,OFF,0,0,0	Chopper ON, Sync, Chopper (Ref)	2R0	4	0	4,017,407:06:0	
2867	97	178	06:01:44.133		DMS:	:*RUNDOWN	R806, TRACK 3, FWD, TIC *3745.28 +/- 2	2R0	4	0	4,017,407:14:0	
2868	97	178	06:01:44.133	175Y422A6B	6DMSC	RDY,0	DMS Control Tape stop	2R0	4	0	4,017,407:14:0	
2869	97	178	06:01:46.866		DMS:	:*READY	RDY, TRACK 3, FWD, TIC *3756.78 +/- 3	2R0	4	0	4,017,407:18:1	
2870	97	178	06:02:39.466	20ED4B	37IOP	3,0	Long Map, Grating Start Position =00	2R3	4	0	4,017,408:06:0	
2871	97	178	06:03:40.133	C9NNRELOAD03-		-----STOP-----		2R3	4	0	:	:
2872	97	178	06:32:59.466	C9JNGRS01102-		-----START-----		2R3	4	0	:	:
2873	97	178	06:34:56.133	165DX4A	7SCAN	NORM:304.842999,	Check S/P Position	2R3	4	0	4,017,439:90:0	
2874	97	178	06:37:54.133	127DX	NIMSTAB	GS	%%/%/% GROUP START TAB	2R3	4	0	4,017,442:84:0	
2875	97	178	06:37:54.133	127DX4A	37IOP	5,1	Short Map, Grating Start Position =01	2R5	4	1	4,017,442:84:0	
2876	97	178	06:37:54.800	127DX4B	37ETB		Loads wavelength edit table	2R5	4	1	4,017,442:85:0	
2877	97	178	06:38:02.800	127DX11A	NIMSTAB	GE	%%/%/% GROUP END TAB	2R5	4	1	4,017,443:06:0	
2878	97	178	06:38:48.133		DMS:	:*E4-DELAY	RDY, TRACK *1, FWD, TIC 3756.78 +/- 3	2R5	4	1	4,017,443:74:0	
2879	97	178	06:38:48.133	175DX422A6A	6DMSC	R7,3	DMS Control	2R5	4	1	4,017,443:74:0	
2880	97	178	06:38:50.133	117DX	CSMOS	GS	***** GROUP START CSMOS	2R5	4	1	4,017,443:77:0	
2881	97	178	06:38:54.800		DMS:	:*RUNUP	R7, TRACK *3, FWD, TIC 3756.78 +/- 3	2R5	4	1	4,017,443:84:0	
2882	97	178	06:38:56.133	175DX176A6A	6TMREC	LPU	7.68 KBPS NIMS-UVS-PPR RECORD Record Mode	2R5	4	1	4,017,443:86:0	
2883	97	178	06:38:56.200		DMS:	:*RECORD	R7, TRACK 3, FWD, TIC *3756.90 +/- 3	2R5	4	1	4,017,443:86:1	
2884	97	178	06:38:56.200		DMS:	:*AT SPD	R7, TRACK 3, FWD, TIC 3756.90 +/- 3	2R5	4	1	4,017,443:86:1	
2885	97	178	06:38:59.466	C9JNGRS01102-	NIMPBK	301DR	JUPITER GREAT RED SPOT 11 DEGREE	2R5	4	1	:	:
2886	97	178	06:38:59.466	117DX105A106A4A	7STRP	-0.021803,0.0,0.0,	Slew =-0.11	2R5	4	1	4,017,444:00:0	
2887	97	178	06:42:19.466	117DX11A	CSMOS	GE	***** GROUP END CSMOS	2R5	4	1	4,017,447:27:0	
2888	97	178	06:42:19.466	C9JNGRS01102-	DESEL	300DR	JUPITER GREAT RED SPOT 11 DEGREE	2R5	4	1	:	:
2889	97	178	06:42:21.466		DMS:	:*RUNDOWN	R7, TRACK 3, FWD, TIC *3805.00 +/- 3	2R5	4	1	4,017,447:30:0	
2890	97	178	06:42:21.466	175DX422A6B	6DMSC	RDY,0	DMS Control Tape stop	2R5	4	1	4,017,447:30:0	
2891	97	178	06:42:21.466		DMS:	:*READY	NO RECORD Record Mode Change	2R5	4	1	4,017,447:30:0	
2892	97	178	06:42:22.666		DMS:	:*READY	RDY, TRACK 3, FWD, TIC *3805.06 +/- 3	2R5	4	1	4,017,447:31:8	
2893	97	178	06:43:06.133	C9JNGRS01102-		-----STOP-----		2R5	4	1	:	:
2894	97	178	06:45:02.800	165HF4A	7SCAN	NORM:304.015999,	Check S/P Position	2R5	4	1	4,017,449:90:0	
2895	97	178	06:48:56.800	117HF	CSMOS	GS	***** GROUP START CSMOS	2R5	4	1	4,017,453:77:0	
2896	97	178	06:49:06.133	117HF105A106A4A	7STRP	-0.001,-0.0,0.12005	Slew =-0.87	2R5	4	1	4,017,454:00:0	
2897	97	178	06:49:06.133	176HF6A	6TMREC	BPT	7.68 KBPS PPR BURST TO TAPE Record Mode C	2R5	4	1	4,017,454:00:0	
2898	97	178	06:49:58.800	117HF105A106A4B	7STRP	0.0035,0.011705,	Slew =12.01	2R5	4	1	4,017,454:79:0	
2899	97	178	06:50:12.133	117HF105A106A4C	7STRP	-0.001,-0.0,0.12005	Slew =-0.87	2R5	4	1	4,017,455:08:0	
2900	97	178	06:51:04.800	117HF105A106A4D	7STRP	0.0035,0.011705,	Slew =12.01	2R5	4	1	4,017,455:87:0	
2901	97	178	06:51:18.133	117HF105A106A4E	7STRP	-0.001,-0.0,0.12005	Slew =-0.87	2R5	4	1	4,017,456:16:0	
2902	97	178	06:52:10.800	117HF105A106A4F	7STRP	0.0035,0.011705,	Slew =12.01	2R5	4	1	4,017,457:04:0	
2903	97	178	06:52:24.133	117HF105A106A4G	7STRP	-0.001,-0.0,0.12005	Slew =-0.87	2R5	4	1	4,017,457:24:0	
2904	97	178	06:53:16.800	117HF105A106A4H	7STRP	0.0035,0.011705,	Slew =12.01	2R5	4	1	4,017,458:12:0	
2905	97	178	06:53:30.133	117HF105A106A4I	7STRP	-0.001,-0.0,0.12005	Slew =-0.87	2R5	4	1	4,017,458:32:0	
2906	97	178	06:54:22.800	117HF105A106A4J	7STRP	0.0035,0.011705,	Slew =12.01	2R5	4	1	4,017,459:20:0	
2907	97	178	06:54:36.133	117HF105A106A4K	7STRP	-0.001,-0.0,0.12005	Slew =-0.87	2R5	4	1	4,017,459:40:0	
2908	97	178	06:55:28.800	117HF105A106A4L	7STRP	0.0035,0.011705,	Slew =12.01	2R5	4	1	4,017,460:28:0	
2909	97	178	06:55:42.133	117HF105A106A4M	7STRP	-0.001,-0.0,0.12005	Slew =-0.87	2R5	4	1	4,017,460:48:0	
2910	97	178	06:56:34.800	117HF105A106A4N	7STRP	0.0035,0.011705,	Slew =12.01	2R5	4	1	4,017,461:36:0	
2911	97	178	06:56:48.133	117HF105A106A4O	7STRP	-0.001,-0.0,0.12005	Slew =-0.87	2R5	4	1	4,017,461:56:0	
2912	97	178	06:57:40.800	117HF105A106A4P	7STRP	0.0035,0.011705,	Slew =12.01	2R5	4	1	4,017,462:44:0	
2913	97	178	06:57:54.133	117HF105A106A4Q	7STRP	-0.001,-0.0,0.12005	Slew =-0.87	2R5	4	1	4,017,462:64:0	

Line	YR	DOY	SCET - GMT	PSID	Command	Parameters	Description	GCM	GO	GS	RIM	MFI
2914	97	178	06:58:46.800	117HF105A106A4R	7STRP	0.0035.0.011705,	Slew =12.01	2R5	4	1	4,017,463:52.0	
2915	97	178	06:59:00.133	117HF105A106A4S	7STRP	-0.001,-0.012005	Slew =0.87	2R5	4	1	4,017,463:72.0	
2916	97	178	06:59:52.800	117HF105A106A4T	7STRP	0.0035.0.011705,	Slew =12.01	2R5	4	1	4,017,464:60.0	
2917	97	178	07:00:06.133	117HF105A106A4U	7STRP	-0.001,-0.012005	Slew =0.87	2R5	4	1	4,017,464:80.0	
2918	97	178	07:00:58.800	117HF105A106A4V	7STRP	0.0035.0.011705,	Slew =12.01	2R5	4	1	4,017,465:68.0	
2919	97	178	07:01:12.133	117HF105A106A4W	7STRP	-0.001,-0.012005	Slew =0.87	2R5	4	1	4,017,465:88.0	
2920	97	178	07:02:04.800	117HF105A106A4X	7STRP	0.0035.0.011705,	Slew =12.01	2R5	4	1	4,017,466:76.0	
2921	97	178	07:02:18.133	117HF105A106A4Y	7STRP	-0.001,-0.012005	Slew =0.87	2R5	4	1	4,017,467:05.0	
2922	97	178	07:03:10.800	117HF105A106A4Z	7STRP	0.0035.0.011705,	Slew =12.01	2R5	4	1	4,017,467:84.0	
2923	97	178	07:03:24.133	117HF105A106A4AA	7STRP	-0.001,-0.012005	Slew =0.87	2R5	4	1	4,017,468:13.0	
2924	97	178	07:04:16.800	117HF105A106A4AB	7STRP	0.0035.0.011705,	Slew =12.01	2R5	4	1	4,017,468:01.0	
2925	97	178	07:04:30.133	117HF105A106A4AC	7STRP	-0.001,-0.012005	Slew =0.87	2R5	4	1	4,017,469:21.0	
2926	97	178	07:05:22.800	117HF105A106A4AD	7STRP	0.0035.0.011705,	Slew =12.01	2R5	4	1	4,017,470:09.0	
2927	97	178	07:05:36.133	117HF105A106A4AE	7STRP	-0.001,-0.012005	Slew =0.87	2R5	4	1	4,017,470:29.0	
2928	97	178	07:06:18.800	50ZZ6XX	DMS:	:*E4-DELAY	RDY, TRACK *1, FWD, TIC 3805.06 +/- 3	2R5	4	1	4,017,471:02.0	
2929	97	178	07:06:18.800	50ZZ6XX	6DMSC	R7,0	DMS Control Tape runup 7.68kps	2R5	4	1	4,017,471:02.0	
2930	97	178	07:06:25.466		DMS:	:*RUNUP	R7, TRACK *3, FWD, TIC 3805.06 +/- 3	2R5	4	1	4,017,471:12.0	
2931	97	178	07:06:26.866		DMS:	:*AT SPD	R7, TRACK 3, FWD, TIC *3805.18 +/- 3	2R5	4	1	4,017,471:14.1	
2932	97	178	07:06:28.800	117HF105A106A4AF	7STRP	0.0035.0.011705,	Slew =12.01	2R5	4	1	4,017,471:17.0	
2933	97	178	07:06:42.133	117HF105A106A4AG	7STRP	-0.001,-0.012005	Slew =0.87	2R5	4	1	4,017,471:37.0	
2934	97	178	07:06:54.133		DMS:	:*RECORD	R7, TRACK 3, FWD, TIC *3811.58 +/- 3	2R5	4	1	4,017,471:55.0	
2935	97	178	07:07:16.800	50ZZ6RE	6DMSC	RDY,0	DMS Control Tape stop	2R5	4	1	4,017,471:89.0	
2936	97	178	07:07:16.800		DMS:	:*RUNDOWN	R7, TRACK 3, FWD, TIC *3816.89 +/- 3	2R5	4	1	4,017,471:89.0	
2937	97	178	07:07:18.000		DMS:	:*READY	RDY, TRACK 3, FWD, TIC *3816.95 +/- 3	2R5	4	1	4,017,471:90.8	
2938	97	178	07:07:34.800	117HF105A106A4AH	7STRP	0.0035.0.011705,	Slew =12.01	2R5	4	1	4,017,472:25.0	
2939	97	178	07:07:48.133	117HF105A106A4AI	7STRP	-0.001,-0.012005	Slew =0.87	2R5	4	1	4,017,472:45.0	
2940	97	178	07:08:40.800	117HF105A106A4AJ	7STRP	0.0035.0.011705,	Slew =12.01	2R5	4	1	4,017,473:33.0	
2941	97	178	07:08:54.133	117HF105A106A4AK	7STRP	-0.001,-0.012005	Slew =0.87	2R5	4	1	4,017,473:53.0	
2942	97	178	07:09:46.800	117HF105A106A4AL	7STRP	0.0035.0.011705,	Slew =12.01	2R5	4	1	4,017,474:41.0	
2943	97	178	07:10:00.133	117HF105A106A4AM	7STRP	-0.001,-0.012005	Slew =0.87	2R5	4	1	4,017,474:61.0	
2944	97	178	07:10:52.800	117HF105A106A4AN	7STRP	0.0035.0.011705,	Slew =12.01	2R5	4	1	4,017,475:49.0	
2945	97	178	07:11:06.133	117HF105A106A4AO	7STRP	-0.001,-0.012005	Slew =0.87	2R5	4	1	4,017,475:69.0	
2946	97	178	07:11:58.800	117HF105A106A4AP	7STRP	0.0035.0.011705,	Slew =12.01	2R5	4	1	4,017,476:57.0	
2947	97	178	07:12:12.133	117HF105A106A4AQ	7STRP	-0.001,-0.012005	Slew =0.87	2R5	4	1	4,017,476:77.0	
2948	97	178	07:12:31.466	488W6A	6TMSED	FILL,CL4	Sci, Eng, and D/L Chan	2R5	4	1	4,017,477:15.0	
2949	97	178	07:13:04.800	117HF11A	CSMOS	GE	***** GROUP END CSMOS	2R5	4	1	4,017,477:65.0	
2950	97	178	07:19:26.133	176HF6B	6TMREC	NRC	NO RECORD Record Mode Change	2R5	4	1	4,017,484:00.0	
2951	97	178	07:19:28.133		DMS:	:*E4-DELAY	RDY, TRACK *1, FWD, TIC 3816.95 +/- 3	2R5	4	1	4,017,484:03.0	
2952	97	178	07:19:28.133	50ZZ6XX	6DMSC	R7,0	DMS Control Tape runup 7.68kps	2R5	4	1	4,017,484:03.0	
2953	97	178	07:19:34.800		DMS:	:*RUNUP	R7, TRACK *3, FWD, TIC 3816.95 +/- 3	2R5	4	1	4,017,484:13.0	
2954	97	178	07:19:36.200		DMS:	:*AT SPD	R7, TRACK 3, FWD, TIC *3817.07 +/- 3	2R5	4	1	4,017,484:15.1	
2955	97	178	07:19:38.133		DMS:	:*RECORD	R7, TRACK 3, FWD, TIC *3817.52 +/- 3	2R5	4	1	4,017,484:18.0	
2956	97	178	07:19:56.133	50ZZ6RD	6DMSC	RDY,0	DMS Control Tape stop	2R5	4	1	4,017,484:45.0	
2957	97	178	07:19:56.133		DMS:	:*RUNDOWN	R7, TRACK 3, FWD, TIC *3821.74 +/- 3	2R5	4	1	4,017,484:45.0	
2958	97	178	07:19:57.333		DMS:	:*READY	RDY, TRACK 3, FWD, TIC *3821.80 +/- 3	2R5	4	1	4,017,484:46.8	
2959	97	178	07:21:26.800	165IY4A	7SCAN	NORM,312.830997,	Check S/P Position	2R5	4	1	4,017,485:90.0	
2960	97	178	07:25:21.466		DMS:	:*E4-DELAY	RDY, TRACK *1, FWD, TIC 3821.80 +/- 3	2R5	4	1	4,017,489:78.0	
2961	97	178	07:25:21.466	175IZ422A6A	6DMSC	R115.3	DMS Control	2R5	4	1	4,017,489:78.0	
2962	97	178	07:25:28.133		DMS:	:*RUNUP	R115, TRACK *3, FWD, TIC 3821.80 +/- 3	2R5	4	1	4,017,489:88.0	
2963	97	178	07:25:28.800	165IY4B	7VECT		Inert vect update UTC	2R5	4	1	4,017,489:89.0	
2964	97	178	07:25:31.466	175IZ176A6A	6TMREC	HCA	115.2 KBPS IMAGE(1-200) RECORD Record Mod	2R5	4	1	4,017,490:03.0	
2965	97	178	07:25:32.133		DMS:	:*AT SPD	R115, TRACK 3, FWD, TIC 3828.10 +/- 3	2R5	4	1	4,017,490:03.0	
2966	97	178	07:25:32.133		DMS:	:*RECORD	R115, TRACK 3, FWD, TIC *3828.10 +/- 3	2R5	4	1	4,017,490:03.0	
2967	97	178	07:25:38.800	175IZ422A6B	6DMSC	RDY,0	DMS Control Tape stop	2R5	4	1	4,017,490:13.0	
2968	97	178	07:25:38.800		DMS:	:*RUNDOWN	R115, TRACK 3, FWD, TIC *3851.54 +/- 3	2R5	4	1	4,017,490:13.0	

Line	YR	DOY	SCET - GMT	PSID	Command	Parameters	Description	GCM	GO	GS	RIM	MFI
2969	97	178	07:25:40.000		DMS:	:*READY	RDY, TRACK 3, FWD, TIC *3852.54 +/- 3	2R5	4	1	4,017,490:14:8	
2970	97	178	07:36:07.466	488W6B	6TMSED	FILL,CL5	Sci, Eng. and D/L Chan	2R5	4	1	4,017,500:46:0	
2971	97	178	07:42:56.133	488W6C	6TMSED	NORM,CL5	Sci, Eng. and D/L Chan	2R5	4	1	4,017,507:22:0	
2972	97	178	07:49:45.466	165IZ4A	7SCAN	NORM,297.792,-22	Check S/P Position	2R5	4	1	4,017,513:90:0	
2973	97	178	07:53:40.133	175JA422A6A	6DMSC	R115:3	DMS Control	2R5	4	1	4,017,517:78:0	
2974	97	178	07:53:40.133		DMS:	:*E4-DELAY	RDY, TRACK *1, FWD, TIC 3852.54 +/- 3	2R5	4	1	4,017,517:78:0	
2975	97	178	07:53:46.800		DMS:	:*RUNUP	R115, TRACK *3, FWD, TIC 3852.54 +/- 3	2R5	4	1	4,017,517:88:0	
2976	97	178	07:53:47.466	165IZ4B	7VECT		Inert vect update UTC	2R5	4	1	4,017,517:89:0	
2977	97	178	07:53:50.133	175JA176A6A	6TMREC	HCA	115.2 KBPS IMAGE(1-200)RECORD Record Mod	2R5	4	1	4,017,518:02:0	
2978	97	178	07:53:50.800		DMS:	:*AT SPD	R115, TRACK 3, FWD, TIC 3858.84 +/- 3	2R5	4	1	4,017,518:03:0	
2979	97	178	07:53:50.800		DMS:	:*RECORD	R115, TRACK 3, FWD, TIC *3858.84 +/- 3	2R5	4	1	4,017,518:03:0	
2980	97	178	07:53:57.466	175JA422A6B	6DMSC	RDY,0	DMS Control Tape stop	2R5	4	1	4,017,518:13:0	
2981	97	178	07:53:57.466		DMS:	:*RUNDOWN	R115, TRACK 3, FWD, TIC *3882.27 +/- 3	2R5	4	1	4,017,518:13:0	
2982	97	178	07:53:58.666		DMS:	:*READY	RDY, TRACK 3, FWD, TIC *3883.27 +/- 3	2R5	4	1	4,017,518:14:8	
2983	97	178	08:19:09.466	C9JNGRS01103-		-----START-----		2R5	4	1	:	
2984	97	178	08:20:05.466	165DY4A	7SCAN	NORM,308.452,-22	Check S/P Position	2R5	4	1	4,017,543:90:0	
2985	97	178	08:23:57.466	175DY422A6A	6DMSC	R7:3	DMS Control	2R5	4	1	4,017,547:74:0	
2986	97	178	08:23:57.466		DMS:	:*E4-DELAY	RDY, TRACK *1, FWD, TIC 3883.27 +/- 3	2R5	4	1	4,017,547:74:0	
2987	97	178	08:23:59.466	117DY	CSMOS	GS	***** GROUP START CSMOS	2R5	4	1	4,017,547:77:0	
2988	97	178	08:24:04.133		DMS:	:*RUNUP	R7, TRACK *3, FWD, TIC 3883.27 +/- 3	2R5	4	1	4,017,547:84:0	
2989	97	178	08:24:05.466	175DY176A6A	6TMREC	LPU	7.68 KBPS NIMS-UVS-PPR RECORD Record Mode	2R5	4	1	4,017,547:86:0	
2990	97	178	08:24:05.533		DMS:	:*RECORD	R7, TRACK 3, FWD, TIC *3883.39 +/- 3	2R5	4	1	4,017,547:86:1	
2991	97	178	08:24:05.533		DMS:	:*AT SPD	R7, TRACK 3, FWD, TIC 3883.39 +/- 3	2R5	4	1	4,017,547:86:1	
2992	97	178	08:24:08.800	117DY105A106A4A	7STRP	-0.021803,0.0,0.0,	Slew = 0.11	2R5	4	1	4,017,548:00:0	
2993	97	178	08:24:08.800	C9JNGRS01103-	NIMPBK	301DS	JUPITER GREAT RED SPOT 11 DEGREE	2R5	4	1	:	
2994	97	178	08:27:28.800	117DY11A	CSMOS	GE	***** GROUP END CSMOS	2R5	4	1	4,017,551:27:0	
2995	97	178	08:27:28.800	C9JNGRS01103-	DESELC	300DS	JUPITER GREAT RED SPOT 11 DEGREE	2R5	4	1	:	
2996	97	178	08:27:30.800		DMS:	:*RUNDOWN	R7, TRACK 3, FWD, TIC *3931.50 +/- 3	2R5	4	1	4,017,551:30:0	
2997	97	178	08:27:30.800	175DY422A6B	6DMSC	RDY,0	DMS Control Tape stop	2R5	4	1	4,017,551:30:0	
2998	97	178	08:27:30.800	175DY6A	6TMREC	NRC	NO RECORD Record Mode Change	2R5	4	1	4,017,551:30:0	
2999	97	178	08:27:32.000		DMS:	:*READY	RDY, TRACK 3, FWD, TIC *3931.56 +/- 3	2R5	4	1	4,017,551:31:8	
3000	97	178	08:28:15.466	C9JNGRS01103-		-----STOP-----		2R5	4	1	:	
3001	97	178	08:30:00.133	488W6D	6TMSED	NORM,GL5	Sci, Eng. and D/L Chan	2R5	4	1	4,017,553:72:0	
3002	97	178	08:30:00.800	282NX432A431A6A	6RCDSL	DDSNCG,PLDSL,EP	Record Deselect (DDS o	2R5	4	1	4,017,553:73:0	
3003	97	178	08:30:01.466	282NX432A6A	6RTSL1		R/T Select of DDS and	2R5	4	1	4,017,553:74:0	
3004	97	178	09:04:34.800	165JA4A	7SCAN	NORM,304.028999,	Check S/P Position	2R5	4	1	4,017,587:90:0	
3005	97	178	09:08:29.466	175JB422A6A	6DMSC	R115:3	DMS Control	2R5	4	1	4,017,591:78:0	
3006	97	178	09:08:29.466		DMS:	:*E4-DELAY	RDY, TRACK *1, FWD, TIC 3931.56 +/- 3	2R5	4	1	4,017,591:78:0	
3007	97	178	09:08:36.133		DMS:	:*RUNUP	R115, TRACK *3, FWD, TIC 3931.56 +/- 3	2R5	4	1	4,017,591:88:0	
3008	97	178	09:08:36.800	165JA4B	7VECT		Inert vect update UTC	2R5	4	1	4,017,591:89:0	
3009	97	178	09:08:39.466	175JB176A6A	6TMREC	HCA	115.2 KBPS IMAGE(1-200)RECORD Record Mod	2R5	4	1	4,017,592:02:0	
3010	97	178	09:08:40.133		DMS:	:*AT SPD	R115, TRACK 3, FWD, TIC 3937.86 +/- 3	2R5	4	1	4,017,592:03:0	
3011	97	178	09:08:40.133		DMS:	:*RECORD	R115, TRACK 3, FWD, TIC *3937.86 +/- 3	2R5	4	1	4,017,592:03:0	
3012	97	178	09:08:46.800		DMS:	:*RUNDOWN	R115, TRACK 3, FWD, TIC *3961.30 +/- 3	2R5	4	1	4,017,592:13:0	
3013	97	178	09:08:46.800	175JB422A6B	6DMSC	RDY,0	DMS Control Tape stop	2R5	4	1	4,017,592:13:0	
3014	97	178	09:08:48.000		DMS:	:*READY	RDY, TRACK 3, FWD, TIC *3962.30 +/- 3	2R5	4	1	4,017,592:14:8	
3015	97	178	09:38:57.466	165JB4A	7SCAN	NORM,324.796997,	Check S/P Position	2R5	4	1	4,017,621:90:0	
3016	97	178	09:42:52.133	175JC422A6A	6DMSC	R115:3	DMS Control	2R5	4	1	4,017,625:78:0	
3017	97	178	09:42:52.133		DMS:	:*E4-DELAY	RDY, TRACK *1, FWD, TIC 3962.30 +/- 3	2R5	4	1	4,017,625:78:0	
3018	97	178	09:42:58.800		DMS:	:*RUNUP	R115, TRACK *3, FWD, TIC 3962.30 +/- 3	2R5	4	1	4,017,625:88:0	
3019	97	178	09:43:02.133	175JC176A6A	6TMREC	HCA	115.2 KBPS IMAGE(1-200)RECORD Record Mod	2R5	4	1	4,017,626:02:0	
3020	97	178	09:43:02.133		DMS:	:*AT SPD	R115, TRACK 3, FWD, TIC 3968.60 +/- 3	2R5	4	1	4,017,626:03:0	
3021	97	178	09:43:02.800		DMS:	:*RECORD	R115, TRACK 3, FWD, TIC *3968.60 +/- 3	2R5	4	1	4,017,626:03:0	
3022	97	178	09:43:09.466	175JC422A6B	6DMSC	RDY,0	DMS Control Tape stop	2R5	4	1	4,017,626:13:0	
3023	97	178	09:43:09.466		DMS:	:*RUNDOWN	R115, TRACK 3, FWD, TIC *3992.04 +/- 3	2R5	4	1	4,017,626:13:0	

Line	YR	DOY	SCET - GMT	PSID	Command	Parameters	Description	GCM	GO	GS	RIM	MFI
3024	97	178	09:43:10.666		DMS:	:*READY	RDY, TRACK 3, FWD, TIC *3993.04 +/- 3	2R5	4	1	4,017,626:14:8	
3025	97	178	09:56:08.800	165JC4A	7SCAN	NORM,308.835999, : *E4-DELAY	Check S/P Position	2R5	4	1	4,017,638:90:0	
3026	97	178	10:00:03.466		DMS:	:*E4-DELAY	RDY, TRACK *1, FWD, TIC 3993.04 +/- 3	2R5	4	1	4,017,642:78:0	
3027	97	178	10:00:03.466	175JD422A6A	6DMSC	R115.3	DMS Control	2R5	4	1	4,017,642:78:0	
3028	97	178	10:00:10.133		DMS:	:*RUNUP	R115, TRACK *3, FWD, TIC 3993.04 +/- 3	2R5	4	1	4,017,642:88:0	
3029	97	178	10:00:10.800	165JC4B	7VECT		Inert vect update UTC	2R5	4	1	4,017,642:89:0	
3030	97	178	10:00:13.466	175JD176A6A	6TMREC	HCA	115.2 KBPS IMAGE(1-200) RECORD	2R5	4	1	4,017,643:02:0	
3031	97	178	10:00:14.133		DMS:	:*RECORD	R115, TRACK 3, FWD, TIC *3999.34 +/- 3	2R5	4	1	4,017,643:03:0	
3032	97	178	10:00:14.133		DMS:	:*AT_SPD	R115, TRACK 3, FWD, TIC 3999.34 +/- 3	2R5	4	1	4,017,643:03:0	
3033	97	178	10:00:20.800		DMS:	:*RUNDOWN	R115, TRACK 3, FWD, TIC *4022.78 +/- 3	2R5	4	1	4,017,643:13:0	
3034	97	178	10:00:20.800	175JD422A6B	6DMSC	RDY,0	DMS Control Tape stop	2R5	4	1	4,017,643:13:0	
3035	97	178	10:00:22.000		DMS:	:*READY	RDY, TRACK 3, FWD, TIC *4023.78 +/- 3	2R5	4	1	4,017,643:14:8	
3036	97	178	10:31:36.800	C9INCHEMIS01-		-----START-----		2R5	4	1	:	:
3037	97	178	10:32:32.800	165EA4A	7SCAN	NORM,344.792,-6.	Check S/P Position	2R5	4	1	4,017,674:90:0	
3038	97	178	10:35:30.800	127EA	NIMSTAB	GS	%%%% GROUP START TAB	2R5	4	1	4,017,677:84:0	
3039	97	178	10:35:30.800	127EA4A	37IOP	3.0	Long Map, Grating Start Position =00	2R3	4	0	4,017,677:84:0	
3040	97	178	10:35:31.466	127EA4B	37ETB	07,C7,02,25,80,0	Loads wavelength edit table	2R3	4	0	4,017,677:85:0	
3041	97	178	10:35:39.466	127EA11A	NIMSTAB	GE	%%%% GROUP END TAB	2R3	4	0	4,017,678:06:0	
3042	97	178	10:36:24.800		DMS:	:*E4-DELAY	RDY, TRACK *1, FWD, TIC 4023.78 +/- 3	2R3	4	0	4,017,678:74:0	
3043	97	178	10:36:24.800	175EA422A6A	6DMSC	R7.3	DMS Control	2R3	4	0	4,017,678:74:0	
3044	97	178	10:36:26.800	117EA	CSMOS	GS	***** GROUP START CSMOS	2R3	4	0	4,017,678:77:0	
3045	97	178	10:36:31.466		DMS:	:*RUNUP	R7, TRACK *3, FWD, TIC 4023.78 +/- 3	2R3	4	0	4,017,678:84:0	
3046	97	178	10:36:32.800	175EA176A6A	6TMREC	LPU	7.68 KBPS NIMS-JVS-PPR RECORD	2R3	4	0	4,017,678:86:0	
3047	97	178	10:36:32.866		DMS:	:*AT_SPD	R7, TRACK 3, FWD, TIC 4023.90 +/- 3	2R3	4	0	4,017,678:86:1	
3048	97	178	10:36:32.866		DMS:	:*RECORD	R7, TRACK 3, FWD, TIC *4023.90 +/- 3	2R3	4	0	4,017,678:86:1	
3049	97	178	10:36:36.133	117EA105A106A4A	7STRP	:*0012,0,0,0,0,0	Slew =,0.01	2R3	4	0	4,017,679:00:0	
3050	97	178	10:36:36.133	C9INCHEMIS01-	NIMPBK	301DT	MONITORING OF IO'S DAYSIDE	2R3	4	0	:	:
3051	97	178	10:38:37.466	C9INCHEMIS01-	DESEL	300DT	MONITORING OF IO'S DAYSIDE	2R3	4	0	:	:
3052	97	178	10:38:39.466	175EA422A6B	6DMSC	RDY,0	DMS Control Tape stop	2R3	4	0	4,017,681:03:0	
3053	97	178	10:38:39.466	175EA6A	6TMREC	NRC	NO RECORD Record Mode Change	2R3	4	0	4,017,681:03:0	
3054	97	178	10:38:39.466		DMS:	:*READY	R7, TRACK 3, FWD, TIC *4053.57 +/- 3	2R3	4	0	4,017,681:03:0	
3055	97	178	10:38:40.666		DMS:	:*READY	RDY, TRACK 3, FWD, TIC *4053.63 +/- 3	2R3	4	0	4,017,681:04:8	
3056	97	178	10:39:00.800	117EA105A106A4B	7STRP	-0.0053,0,0,0,0	Slew =12.01	2R3	4	0	4,017,681:35:0	
3057	97	178	10:39:06.800	117EA105A106A4C	7STRP	0.0012,0,0,0,0,0	Slew =,0.01	2R3	4	0	4,017,681:44:0	
3058	97	178	10:41:31.466	117EA11A	CSMOS	GE	***** GROUP END CSMOS	2R3	4	0	4,017,683:79:0	
3059	97	178	10:42:00.133	C9INCHEMIS01-		-----STOP-----		2R3	4	0	:	:
3060	97	178	10:55:48.133	165HG4A	7SCAN	NORM,346.707996,	Check S/P Position	2R3	4	0	4,017,697:90:0	
3061	97	178	10:59:42.133	117HG	CSMOS	GS	***** GROUP START CSMOS	2R3	4	0	4,017,701:77:0	
3062	97	178	10:59:51.466	117HG105A106A4A	7STRP	0.002,0,0,0,0,0	Slew =,0.02	2R3	4	0	4,017,702:00:0	
3063	97	178	10:59:51.466	176HG6A	6TMREC	BPT	7.68 KBPS PPR BURST TO TAPE	2R3	4	0	4,017,702:00:0	
3064	97	178	11:01:32.800	117HG105A106A4B	7STRP	-0.0052,0,0009,0	Slew =,2.66	2R3	4	0	4,017,703:61:0	
3065	97	178	11:01:38.133	117HG105A106A4C	7STRP	0.002,0,0,0,0,0	Slew =,0.02	2R3	4	0	4,017,703:69:0	
3066	97	178	11:03:19.466	117HG105A106A4D	7STRP	-0.0052,0,0009,0	Slew =,2.66	2R3	4	0	4,017,705:39:0	
3067	97	178	11:03:24.800	117HG105A106A4E	7STRP	0.002,0,0,0,0,0	Slew =,0.02	2R3	4	0	4,017,705:47:0	
3068	97	178	11:05:06.133	117HG105A106A4F	7STRP	-0.0052,0,0009,0	Slew =,2.66	2R3	4	0	4,017,707:17:0	
3069	97	178	11:05:11.466	488W6E	6TMSED	NORM,GL7	Sci, Eng, and D/L Chan	2R3	4	0	4,017,707:25:0	
3070	97	178	11:05:11.466	117HG105A106A4G	7STRP	0.002,0,0,0,0,0	Slew =,0.02	2R3	4	0	4,017,707:25:0	
3071	97	178	11:06:52.800	117HG105A106A4H	7STRP	-0.0052,0,0009,0	Slew =,2.66	2R3	4	0	4,017,708:86:0	
3072	97	178	11:06:58.133	117HG105A106A4I	7STRP	0.002,0,0,0,0,0	Slew =,0.02	2R3	4	0	4,017,709:03:0	
3073	97	178	11:08:39.466	117HG11A	CSMOS	GE	***** GROUP END CSMOS	2R3	4	0	4,017,710:64:0	
3074	97	178	11:09:58.133	176HG6B	6TMREC	NRC	NO RECORD Record Mode Change	2R3	4	0	4,017,712:00:0	
3075	97	178	11:10:00.133		DMS:	:*E4-DELAY	RDY, TRACK *1, FWD, TIC 4053.63 +/- 3	2R3	4	0	4,017,712:03:0	
3076	97	178	11:10:00.133	50ZZ6XX	6DMSC	R7,0	DMS Control Tape runup 7.68kps	2R3	4	0	4,017,712:03:0	
3077	97	178	11:10:06.800		DMS:	:*RUNUP	R7, TRACK *3, FWD, TIC 4053.63 +/- 3	2R3	4	0	4,017,712:13:0	
3078	97	178	11:10:08.200		DMS:	:*AT_SPD	R7, TRACK 3, FWD, TIC *4053.75 +/- 3	2R3	4	0	4,017,712:15:1	

Line	YR	DOY	SCET - GMT	PSID	Command	Parameters	Description	GCM	GO	GS	RIM	MFI
3079	97	178	11:10:10.133		DMS:	:*RECORD	R7, TRACK 3, FWD, TIC *4054.20 +/- 3	2R3	4	0	4,017,712:180	
3080	97	178	11:10:26.800		DMS:	:*RUNDOWN	R7, TRACK 3, FWD, TIC *4058.11 +/- 3	2R3	4	0	4,017,712:430	
3081	97	178	11:10:26.800	50ZZ6RE	6DMSC	RDY,0	DMS Control Tape stop	2R3	4	0	4,017,712:430	
3082	97	178	11:10:28.000		DMS:	:*READY	RDY, TRACK 3, FWD, TIC *4058.17 +/- 3	2R3	4	0	4,017,712:44.8	
3083	97	178	11:30:10.800	165JD4A	7SCAN	NORM:331.508999,	Check S/P Position	2R3	4	0	4,017,731:90.0	
3084	97	178	11:34:05.466		DMS:	:*E4-DELAY	RDY, TRACK *1, FWD, TIC 4058.17 +/- 3	2R3	4	0	4,017,735:78.0	
3085	97	178	11:34:05.466	175JE422A6A	6DMSC	R115.3	DMS Control	2R3	4	0	4,017,735:78.0	
3086	97	178	11:34:12.133		DMS:	:*RUNUP	R115, TRACK *3, FWD, TIC 4058.17 +/- 3	2R3	4	0	4,017,735:88.0	
3087	97	178	11:34:12.800	165JD4B	7VECT		Inert vect update UTC	2R3	4	0	4,017,735:89.0	
3088	97	178	11:34:15.466	175JE176A6A	6TMREC	HCA	115.2 KBPS IMAGE(1-200)RECORD Record Mod	2R3	4	0	4,017,736:02.0	
3089	97	178	11:34:16.133		DMS:	:*AT_SPD	R115, TRACK 3, FWD, TIC 4064.47 +/- 3	2R3	4	0	4,017,736:03.0	
3090	97	178	11:34:16.133		DMS:	:*RECORD	R115, TRACK 3, FWD, TIC *4064.47 +/- 3	2R3	4	0	4,017,736:03.0	
3091	97	178	11:34:22.800		DMS:	:*RUNDOWN	R115, TRACK 3, FWD, TIC *4087.91 +/- 3	2R3	4	0	4,017,736:13.0	
3092	97	178	11:34:22.800	175JE422A6B	6DMSC	RDY,0	DMS Control Tape stop	2R3	4	0	4,017,736:13.0	
3093	97	178	11:34:24.000		DMS:	:*READY	RDY, TRACK 3, FWD, TIC *4088.91 +/- 3	2R3	4	0	4,017,736:14.8	
3094	97	178	11:43:17.466	488X6A	6TMSED	FILL,GL7	Sci, Eng, and D/L Chan	2R3	4	0	4,017,744:87.0	
3095	97	178	11:45:43.466	488X6B	6TMSED	FILL,GL8	Sci, Eng, and D/L Chan	2R3	4	0	4,017,747:37.0	
3096	97	178	11:47:23.466	488X6C	6TMSED	NORM,GL8	Sci, Eng, and D/L Chan	2R3	4	0	4,017,749:01.0	
3097	97	178	12:03:32.800	165JE4A	7SCAN	NORM:318.660999,	Check S/P Position	2R3	4	0	4,017,764:90.0	
3098	97	178	12:07:27.466		DMS:	:*E4-DELAY	RDY, TRACK *1, FWD, TIC 4088.91 +/- 3	2R3	4	0	4,017,768:78.0	
3099	97	178	12:07:27.466	175JF422A6A	6DMSC	R115.3	DMS Control	2R3	4	0	4,017,768:78.0	
3100	97	178	12:07:34.133		DMS:	:*RUNUP	R115, TRACK *3, FWD, TIC 4088.91 +/- 3	2R3	4	0	4,017,768:88.0	
3101	97	178	12:07:34.800	165JE4B	7VECT		Inert vect update UTC	2R3	4	0	4,017,768:89.0	
3102	97	178	12:07:37.466	175JF176A6A	6TMREC	HCA	115.2 KBPS IMAGE(1-200)RECORD Record Mod	2R3	4	0	4,017,769:02.0	
3103	97	178	12:07:38.133		DMS:	:*AT_SPD	R115, TRACK 3, FWD, TIC 4095.21 +/- 3	2R3	4	0	4,017,769:03.0	
3104	97	178	12:07:38.133		DMS:	:*RECORD	R115, TRACK 3, FWD, TIC *4095.21 +/- 3	2R3	4	0	4,017,769:03.0	
3105	97	178	12:07:44.800		DMS:	:*RUNDOWN	R115, TRACK 3, FWD, TIC *4118.64 +/- 3	2R3	4	0	4,017,769:13.0	
3106	97	178	12:07:44.800	175JF422A6B	6DMSC	RDY,0	DMS Control Tape stop	2R3	4	0	4,017,769:13.0	
3107	97	178	12:07:46.000		DMS:	:*READY	RDY, TRACK 3, FWD, TIC *4119.64 +/- 3	2R3	4	0	4,017,769:14.8	
3108	97	178	12:08:40.799	C9JNWINDOW01-		-----START-----		2R3	4	0	:	:
3109	97	178	13:00:00.133	488X6D	6TMSED	NORM,IL8	Sci, Eng, and D/L Chan	2R3	4	0	4,017,820:75.0	
3110	97	178	13:25:26.800	165JF4A	7SCAN	NORM:319.239998,	Check S/P Position	2R3	4	0	4,017,845:90.0	
3111	97	178	13:28:20.800		DMS:	:*E4-DELAY	RDY, TRACK *1, FWD, TIC 4119.64 +/- 3	2R3	4	0	4,017,848:78.0	
3112	97	178	13:28:20.800	175JG422A6A	6DMSC	R115.3	DMS Control	2R3	4	0	4,017,848:78.0	
3113	97	178	13:28:27.466		DMS:	:*RUNUP	R115, TRACK *3, FWD, TIC 4119.64 +/- 3	2R3	4	0	4,017,848:88.0	
3114	97	178	13:28:30.800	175JG176A6A	6TMREC	HCA	115.2 KBPS IMAGE(1-200)RECORD Record Mod	2R3	4	0	4,017,849:02.0	
3115	97	178	13:28:31.466		DMS:	:*RECORD	R115, TRACK 3, FWD, TIC *4125.94 +/- 3	2R3	4	0	4,017,849:03.0	
3116	97	178	13:28:31.466		DMS:	:*AT_SPD	R115, TRACK 3, FWD, TIC 4125.94 +/- 3	2R3	4	0	4,017,849:03.0	
3117	97	178	13:28:38.133		DMS:	:*RUNDOWN	R115, TRACK 3, FWD, TIC *4149.38 +/- 3	2R3	4	0	4,017,849:13.0	
3118	97	178	13:28:38.133	175JG422A6B	6DMSC	RDY,0	DMS Control Tape stop	2R3	4	0	4,017,849:13.0	
3119	97	178	13:28:39.333		DMS:	:*READY	RDY, TRACK 3, FWD, TIC *4150.38 +/- 3	2R3	4	0	4,017,849:14.8	
3120	97	178	13:29:29.466	165JG4A	7SCAN	NORM:359.330997,	Check S/P Position	2R3	4	0	4,017,849:90.0	
3121	97	178	13:33:14.133	175JH422A6A	6DMSC	R806.3	DMS Control	2R3	4	0	4,017,853:63.0	
3122	97	178	13:33:14.133		DMS:	:*E4-DELAY	RDY, TRACK *1, FWD, TIC 4150.38 +/- 3	2R3	4	0	4,017,853:63.0	
3123	97	178	13:33:14.133	165JG4B	7VECT		Inert vect update UTC	2R3	4	0	4,017,853:63.0	
3124	97	178	13:33:20.800		DMS:	:*RUNUP	R806, TRACK *3, FWD, TIC 4150.38 +/- 3	2R3	4	0	4,017,853:73.0	
3125	97	178	13:33:25.466	175JH176A6A	6TMREC	IM8	806.4 KBPS IMAGE RECORD Record Mode Change	2R3	4	0	4,017,853:80.0	
3126	97	178	13:33:26.066		DMS:	:*AT_SPD	R806, TRACK 3, FWD, TIC 4216.38 +/- 3	2R3	4	0	4,017,853:80.9	
3127	97	178	13:33:26.066		DMS:	:*RECORD	R806, TRACK 3, FWD, TIC *4216.38 +/- 3	2R3	4	0	4,017,853:80.9	
3128	97	178	13:33:32.800	176IB6A	6TMREC	A18	806.4 KBPS SSI RECORD Record Mode Change	2R3	4	0	4,017,854:00.0	
3129	97	178	13:33:40.133	175JH422A6B	6DMSC	RDY,0	DMS Control Tape stop	2R3	4	0	4,017,854:11.0	
3130	97	178	13:33:40.133		DMS:	:*RUNDOWN	R806, TRACK 3, FWD, TIC *4562.55 +/- 3	2R3	4	0	4,017,854:11.0	
3131	97	178	13:33:42.866		DMS:	:*READY	RDY, TRACK 3, FWD, TIC *4574.05 +/- 4	2R3	4	0	4,017,854:15.1	
3132	97	178	13:44:39.466	165J14A	7SCAN	NORM:326.683998,	Check S/P Position	2R3	4	0	4,017,864:90.0	
3133	97	178	13:47:33.466		DMS:	:*E4-DELAY	RDY, TRACK *1, FWD, TIC 4574.05 +/- 4	2R3	4	0	4,017,867:78.0	

Line	YR	DOY	SCET - GMT	PSID	Command	Parameters	Description	GCM	GO	GS	RIM	MFI
3134	97	178	13:47:33.466	175J1422A6A	6DMSC	R115.3	DMS Control	2R3	4	0	4,017,867:780	
3135	97	178	13:47:40.133		DMS:	: *RUNUP	R115, TRACK *3, FWD, TIC 4574.05 +/- 4	2R3	4	0	4,017,867:880	
3136	97	178	13:47:40.800	165J14B	7VECT		Inert vect update UTC	2R3	4	0	4,017,867:890	
3137	97	178	13:47:43.466	175J1176A6A	6TMREC	HCA	115.2 KBPS IMAGE(1-200)RECORD Record Mod	2R3	4	0	4,017,868:020	
3138	97	178	13:47:44.133		DMS:	: *AT SPD	R115, TRACK 3, FWD, TIC 4580.35 +/- 4	2R3	4	0	4,017,868:030	
3139	97	178	13:47:44.133		DMS:	: *RECORD	R115, TRACK 3, FWD, TIC *4580.35 +/- 4	2R3	4	0	4,017,868:030	
3140	97	178	13:47:50.800	175J1422A6B	6DMSC	RDY.0	DMS Control Tape stop	2R3	4	0	4,017,868:130	
3141	97	178	13:47:50.800		DMS:	: *RUNDOWN	R115, TRACK 3, FWD, TIC *4603.79 +/- 4	2R3	4	0	4,017,868:130	
3142	97	178	13:47:52.000		DMS:	: *READY	RDY, TRACK 3, FWD, TIC *4604.79 +/- 4	2R3	4	0	4,017,868:148	
3143	97	178	13:48:42.133	165JK4A	7SCAN	NORM:318.238998,	Check S/P Position	2R3	4	0	4,017,868:900	
3144	97	178	13:51:36.133	175J1422A6A	6DMSC	R115.3	DMS Control	2R3	4	0	4,017,871:780	
3145	97	178	13:51:36.133		DMS:	: *E4-DELAY	RDY, TRACK *1, FWD, TIC 4604.79 +/- 4	2R3	4	0	4,017,871:780	
3146	97	178	13:51:42.800		DMS:	: *RUNUP	R115, TRACK *3, FWD, TIC 4604.79 +/- 4	2R3	4	0	4,017,871:880	
3147	97	178	13:51:43.466	165JK4B	7VECT		Inert vect update UTC	2R3	4	0	4,017,871:890	
3148	97	178	13:51:46.133	175J1176A6A	6TMREC	HCA	115.2 KBPS IMAGE(1-200)RECORD Record Mod	2R3	4	0	4,017,872:020	
3149	97	178	13:51:46.800		DMS:	: *AT SPD	R115, TRACK 3, FWD, TIC 4611.09 +/- 4	2R3	4	0	4,017,872:030	
3150	97	178	13:51:46.800		DMS:	: *RECORD	R115, TRACK 3, FWD, TIC *4611.09 +/- 4	2R3	4	0	4,017,872:030	
3151	97	178	13:51:53.466		DMS:	: *RUNDOWN	R115, TRACK 3, FWD, TIC *4634.53 +/- 4	2R3	4	0	4,017,872:130	
3152	97	178	13:51:53.466	175J1422A6B	6DMSC	RDY.0	DMS Control Tape stop	2R3	4	0	4,017,872:130	
3153	97	178	13:51:54.666		DMS:	: *READY	RDY, TRACK 3, FWD, TIC *4635.53 +/- 4	2R3	4	0	4,017,872:148	
3154	97	178	14:06:58.800	20EE6A	6CKSUM	NIMS	NIMS,1000,14BC	2R3	4	0	4,017,887:060	
3155	97	178	14:07:59.466	20EE5A	37PL		Program Load (halts microprocessor & unwri	2R3	4	0	4,017,888:060	
3156	97	178	14:09:00.133	20EE5B	37MRL		Memory Realocate (software operates from R	2R3	4	0	4,017,889:060	
3157	97	178	14:10:00.800	20EE6B	6MCPY	NIMS	NIMS,1000,LLM1A,7300,77F7	2R3	4	0	4,017,890:060	
3158	97	178	14:11:01.466	20EE6C	6MCPY	NIMS	NIMS,1598,LLM1A,77F8,781D	2R3	4	0	4,017,891:060	
3159	97	178	14:12:02.133	20EE5C	37IRT		Instrument Reset (goes into POR state)	260	4	0	4,017,892:060	
3160	97	178	14:12:02.133	C9NNRELOAD04-		-----START-----		260	4	0	:	:
3161	97	178	14:13:02.800	20EE5D	37MN		Memory Normal (software operates from ROM)	260	4	0	4,017,893:060	
3162	97	178	14:14:03.466	20EE4A	37IST	1,2,0,OFF,0,0,0	Chopper ON, Sync, Chopper (Ref)	2R0	4	0	4,017,894:060	
3163	97	178	14:15:04.133	20EE4B	37IOP	3,0	Long Map, Grating Start Position =00	2R3	4	0	4,017,895:060	
3164	97	178	14:17:05.466	C9NNRELOAD04-		-----STOP-----		2R3	4	0	:	:
3165	97	178	14:18:01.466	165EG4A	7SCAN	NORM:335.378998,	Check S/P Position	2R3	4	0	4,017,897:900	
3166	97	178	14:18:06.133	C9JNFEAFUL01-		-----START-----		2R3	4	0	:	:
3167	97	178	14:19:58.800	127EG	NIMSTAB	GS	%%%%%%%%GROUP START TAB	2R3	4	0	4,017,899:840	
3168	97	178	14:19:59.466	127EG4A	37ETB	0A,CA,1B,BD,87.1	Loads wavelength edit table	2R3	4	0	4,017,899:850	
3169	97	178	14:20:07.466	127EG11A	NIMSTAB	GE	%%%%%%%%GROUP END TAB	2R3	4	0	4,017,900:060	
3170	97	178	14:20:52.800		DMS:	: *E4-DELAY	RDY, TRACK *1, FWD, TIC 4635.53 +/- 4	2R3	4	0	4,017,900:740	
3171	97	178	14:20:52.800	175EG422A6A	6DMSC	R7.3	DMS Control	2R3	4	0	4,017,900:740	
3172	97	178	14:20:54.133	118EG	SMOS	GS		2R3	4	0	4,017,900:760	
3173	97	178	14:20:59.466		DMS:	: *RUNUP	R7, TRACK *3, FWD, TIC 4635.53 +/- 4	2R3	4	0	4,017,900:840	
3174	97	178	14:21:00.800	175EG176A6A	6TMREC	LPU	7.68 KBPS NIMS-UVS-PPR RECORD Record Mode	2R3	4	0	4,017,900:860	
3175	97	178	14:21:00.866		DMS:	: *AT SPD	R7, TRACK 3, FWD, TIC 4635.65 +/- 4	2R3	4	0	4,017,900:861	
3176	97	178	14:21:00.866		DMS:	: *RECORD	R7, TRACK 3, FWD, TIC *4635.65 +/- 4	2R3	4	0	4,017,900:861	
3177	97	178	14:21:04.133	C9JNFEAFUL01-	NIMPBK	301DV	JUPITER FIR TRK FULL SPECTRA	2R3	4	0	:	:
3178	97	178	14:21:04.133	118EG110A11A4A	7STRP	0.002:0.0,104.0,	Slew =.3:01	2R3	4	0	4,017,901:000	
3179	97	178	14:25:20.800	C9JNFEAFUL01-	DESEL	300DV	JUPITER FIR TRK FULL SPECTRA	2R3	4	0	:	:
3180	97	178	14:25:24.133	175EG6A	6TMREC	NRC	NO RECORD Record Mode Change	2R3	4	0	4,017,905:260	
3181	97	178	14:25:24.133	175EG422A6B	6DMSC	RDY.0	DMS Control Tape stop	2R3	4	0	4,017,905:260	
3182	97	178	14:25:24.133		DMS:	: *RUNDOWN	R7, TRACK 3, FWD, TIC *4697.35 +/- 4	2R3	4	0	4,017,905:260	
3183	97	178	14:25:25.333		DMS:	: *READY	RDY, TRACK 3, FWD, TIC *4697.41 +/- 4	2R3	4	0	4,017,905:278	
3184	97	178	14:28:00.133	118EG11A	SMOS	GE		2R3	4	0	4,017,907:780	
3185	97	178	14:28:12.799	C9JNFEAFUL01-		-----STOP-----		2R3	4	0	:	:
3186	97	178	15:31:54.799	C9JNFEA01504-		-----START-----		2R3	4	0	:	:
3187	97	178	15:32:46.800	127EK4A	37IOP	5,1	Short Map, Grating Start Position =01	2R5	4	1	4,017,971:840	
3188	97	178	15:32:46.800	127EK	NIMSTAB	GS	%%%%%%%%GROUP START TAB	2R5	4	1	4,017,971:840	

Line	YR	DOY	SCET - GMT	PSID	Command	Parameters	Description	GCM	GO	GS	RIM	MFI
3189	97	178	15:32:47.466	127EK4B	37ETB		Loads wavelength edit table	2R5	4	1	4,017,971:85:0	
3190	97	178	15:32:50.800	165EK4A	7SCAN	NORM,337.102997,	Check S/P Position	2R5	4	1	4,017,971:90:0	
3191	97	178	15:32:55.466	127EK11A	NIMSTAB	GE	%-%-%-% GROUP END TAB	2R5	4	1	4,017,972:06:0	
3192	97	178	15:33:40.800	175EK422A6A	6DMSC	R7,3	DMS Control	2R5	4	1	4,017,972:74:0	
3193	97	178	15:33:40.800	117EK	DMS:	*E4-DELAY	RDY, TRACK *1, FWD, TIC 4697.41 +/- 4	2R5	4	1	4,017,972:74:0	
3195	97	178	15:33:47.466	175EK176A6A	CSMOS	GS	***** GROUP START CSMOS	2R5	4	1	4,017,972:77:0	
3196	97	178	15:33:48.800	175EK176A6A	6TMREC	LPUNUP	R7, TRACK *3, FWD, TIC 4697.41 +/- 4	2R5	4	1	4,017,972:84:0	
3197	97	178	15:33:48.866	175EK176A6A	DMS:	*AT_SPD	7.68 KBPS NIMS-UVS-PPR RECORD Record Mode	2R5	4	1	4,017,972:86:0	
3198	97	178	15:33:48.866	175EK176A6A	DMS:	*RECORD	R7, TRACK 3, FWD, TIC 4697.53 +/- 4	2R5	4	1	4,017,972:86:1	
3199	97	178	15:33:52.133	117EK105A106A4A	7STRP	0.021904,0.0,0.0	R7, TRACK 3, FWD, TIC *4697.53 +/- 4	2R5	4	1	4,017,972:86:1	
3200	97	178	15:33:52.133	C9JNFEA01504-	NIMPBK	301DX	Slew = 0.11	2R5	4	1	4,017,973:00:0	
3201	97	178	15:37:12.133	117EK105A106A4B	7STRP	-0.023504,0.0080	JUPITER FTR TRK 25 DEGREES PHASE	2R5	4	1	4,017,976:27:0	
3202	97	178	15:37:12.133	C9JNFEA01504-	DESEL	300DX	Slew = 12.01	2R5	4	1	4,017,976:27:0	
3203	97	178	15:37:14.133	175EK6A	6TMREC	NRC	JUPITER FTR TRK 25 DEGREES PHASE	2R5	4	1	4,017,976:30:0	
3204	97	178	15:37:14.133	175EK6A	DMS:	*RUNDOWN	NO RECORD Record Mode Change	2R5	4	1	4,017,976:30:0	
3205	97	178	15:37:14.133	175EK422A6B	6DMSC	RDY,0	R7, TRACK 3, FWD, TIC *4745.64 +/- 4	2R5	4	1	4,017,976:30:0	
3206	97	178	15:37:15.333	175EK422A6B	DMS:	*READY	DMS Control Tape stop	2R5	4	1	4,017,976:30:0	
3207	97	178	15:37:25.466	117EK105A106A4C	7STRP	0.021904,0.0,0.0	RDY, TRACK 3, FWD, TIC *4745.70 +/- 4	2R5	4	1	4,017,976:31:8	
3208	97	178	15:40:45.466	117EK11A	CSMOS	GE	Slew = 0.11	2R5	4	1	4,017,976:47:0	
3209	97	178	15:41:00.799	C9JNFEA01504-	*****STOP	*****STOP	***** GROUP END CSMOS	2R5	4	1	4,017,979:74:0	
3210	97	178	15:48:43.466	488X6E	6TMSED	FILL_IL8	Sci, Eng, and D/L Chan	2R5	4	1	4,017,987:63:0	
3211	97	178	15:56:10.799	C9JNSPOLE04-	*****START	*****START		2R5	4	1	4,017,998:74:0	
3212	97	178	15:59:58.133	175EL422A6A	DMS:	*E4-DELAY	RDY, TRACK *1, FWD, TIC 4745.70 +/- 4	2R5	4	1	4,017,998:74:0	
3213	97	178	15:59:58.133	175EL422A6A	6DMSC	R7,3	DMS Control	2R5	4	1	4,017,998:74:0	
3214	97	178	16:00:00.133	117EL	CSMOS	GS	***** GROUP START CSMOS	2R5	4	1	4,017,998:77:0	
3215	97	178	16:00:04.800	175EL176A6A	DMS:	*RUNDOWN	R7, TRACK *3, FWD, TIC 4745.70 +/- 4	2R5	4	1	4,017,998:84:0	
3216	97	178	16:00:06.133	175EL176A6A	6TMREC	LPUNUP	7.68 KBPS NIMS-UVS-PPR RECORD Record Mode	2R5	4	1	4,017,998:86:0	
3217	97	178	16:00:06.200	175EL176A6A	DMS:	*RECORD	R7, TRACK 3, FWD, TIC *4745.82 +/- 4	2R5	4	1	4,017,998:86:1	
3218	97	178	16:00:06.200	175EL176A6A	DMS:	*AT_SPD	R7, TRACK 3, FWD, TIC 4745.82 +/- 4	2R5	4	1	4,017,998:86:1	
3219	97	178	16:00:09.466	C9JNSPOLE04-	NIMPBK	301DY	JUPITER SOUTH POLE MAP PART 4	2R5	4	1	4,017,999:00:0	
3220	97	178	16:06:17.466	117EL105A106A4A	7STRP	0.040021,0.0,0.0	Slew = 0.11	2R5	4	1	4,018,005:06:0	
3221	97	178	16:06:17.466	117EL105A106A4B	7STRP	-0.044028,0.0060	Slew = 12.01	2R5	4	1	4,018,005:06:0	
3222	97	178	16:06:26.800	117EL105A106A4C	7STRP	0.040021,0.0,0.0	Slew = 0.11	2R5	4	1	4,018,005:20:0	
3223	97	178	16:06:38.800	C9JNSPOLE04-	DESEL	300DY	JUPITER SOUTH POLE MAP PART 4	2R5	4	1	4,018,005:20:0	
3224	97	178	16:06:40.800	175EL422A6B	DMS:	*RUNDOWN	R7, TRACK 3, FWD, TIC *4838.30 +/- 4	2R5	4	1	4,018,005:41:0	
3225	97	178	16:06:40.800	175EL422A6B	6DMSC	RDY,0	DMS Control Tape stop	2R5	4	1	4,018,005:41:0	
3226	97	178	16:06:40.800	175EL6A	6TMREC	NRC	NO RECORD Record Mode Change	2R5	4	1	4,018,005:41:0	
3227	97	178	16:06:42.000	488Y6A	DMS:	*READY	RDY, TRACK 3, FWD, TIC *4838.36 +/- 4	2R5	4	1	4,018,005:42:8	
3228	97	178	16:12:08.133	117EL11A	6TMSED	NORM_IL8	Sci, Eng, and D/L Chan	2R5	4	1	4,018,010:77:0	
3229	97	178	16:12:34.800	C9JNSPOLE04-	CSMOS	GE	***** GROUP END CSMOS	2R5	4	1	4,018,010:77:0	
3230	97	178	16:13:16.133	C9JNSPOLE04-	*****STOP	*****STOP		2R5	4	1	4,018,011:26:0	
3231	97	178	16:34:36.132	C9JNWINDOW01-	*****STOP	*****STOP		2R5	4	1	4,018,011:26:0	
3232	97	178	16:44:42.799	C9JNSPOLE05-	*****START	*****START		2R5	4	1	4,018,011:26:0	
3233	97	178	16:48:40.800	165EM4A	7SCAN	NORM,348.308998,	Check S/P Position	2R5	4	1	4,018,046:90:0	
3234	97	178	16:52:32.800	175EM422A6A	6DMSC	R7,3	DMS Control	2R5	4	1	4,018,050:74:0	
3235	97	178	16:52:32.800	117EM	DMS:	*E4-DELAY	RDY, TRACK *1, FWD, TIC 4838.36 +/- 4	2R5	4	1	4,018,050:74:0	
3236	97	178	16:52:34.800	117EM	CSMOS	GS	***** GROUP START CSMOS	2R5	4	1	4,018,050:77:0	
3237	97	178	16:52:39.466	175EM176A6A	DMS:	*RUNDOWN	R7, TRACK *3, FWD, TIC 4838.36 +/- 4	2R5	4	1	4,018,050:84:0	
3238	97	178	16:52:40.800	175EM176A6A	6TMREC	LPUNUP	7.68 KBPS NIMS-UVS-PPR RECORD Record Mode	2R5	4	1	4,018,050:86:0	
3239	97	178	16:52:40.866	175EM176A6A	DMS:	*RECORD	R7, TRACK 3, FWD, TIC *4838.48 +/- 4	2R5	4	1	4,018,050:86:1	
3240	97	178	16:52:40.866	175EM176A6A	DMS:	*AT_SPD	R7, TRACK 3, FWD, TIC 4838.48 +/- 4	2R5	4	1	4,018,050:86:1	
3241	97	178	16:52:44.133	C9JNSPOLE05-	NIMPBK	301DZ	JUPITER SOUTH POLE MAP PART 5	2R5	4	1	4,018,050:86:1	
3242	97	178	16:52:44.133	117EM105A106A4A	7STRP	0.035014,0.0,0.0	Slew = 0.11	2R5	4	1	4,018,051:00:0	
3243	97	178	16:58:05.466	117EM105A106A4B	7STRP	-0.040021,0.006,	Slew = 12.01	2R5	4	1	4,018,056:27:0	

Line	YR	DOY	SCET	GMT	PSID	Command	Parameters	Description	GCM	GO	GS	RIM	MFI
3244	97	178	16:58:14.800		117EM105A106A4C	7STRP	0.035014,0.0,0.0	Slew =,0.11	2R5	4	1	4,018,056:41.0	
3245	97	178	16:59:13.466		C9JNSPOLEM05-	DESEL	300DZ	JUPITER SOUTH POLE MAP PART 5	2R5	4	1	:	
3246	97	178	16:59:15.466		175EM6A	6TMREC	NRC	NO RECORD Record Mode Change	2R5	4	1	4,018,057:41.0	
3247	97	178	16:59:15.466		175EM422A6B	6DMSC	RDY,0	DMS Control Tape stop	2R5	4	1	4,018,057:41.0	
3248	97	178	16:59:15.466			DMS:	: *RUNDOWN	R7, TRACK 3, FWD, TIC *4930.97 +/- 4	2R5	4	1	4,018,057:41.0	
3249	97	178	16:59:16.666			DMS:	: *READY	RDY, TRACK 3, FWD, TIC *4931.03 +/- 4	2R5	4	1	4,018,057:42.8	
3250	97	178	17:03:36.133		117EM11A	CSMOS	GE	***** GROUP END CSMOS	2R5	4	1	4,018,061:68.0	
3251	97	178	17:03:55.466		C9JNGRS03901-		-----START-----		2R5	4	1	:	
3252	97	178	17:03:55.466		C9JNSPOLEM05-		-----STOP-----		2R5	4	1	:	
3253	97	178	17:04:51.466		165EN4A	7SCAN	NORM,351,542,-5.	Check S/P Position	2R5	4	1	4,018,062:90.0	
3254	97	178	17:08:43.466			DMS:	: *E4-DELAY	RDY, TRACK *1, FWD, TIC 4931.03 +/- 4	2R5	4	1	4,018,066:74.0	
3255	97	178	17:08:43.466		175EN422A6A	6DMSC	R7,3	DMS Control	2R5	4	1	4,018,066:74.0	
3256	97	178	17:08:45.466		117EN	CSMOS	GS	***** GROUP START CSMOS	2R5	4	1	4,018,066:77.0	
3257	97	178	17:08:50.133			DMS:	: *RUNUP	R7, TRACK *3, FWD, TIC 4931.03 +/- 4	2R5	4	1	4,018,066:84.0	
3258	97	178	17:08:51.466		175EN176A6A	6TMREC	LPU	7.68 KBPS NIMS-UVS-PPR RECORD Record Mode	2R5	4	1	4,018,066:86.0	
3259	97	178	17:08:51.533			DMS:	: *RECORD	R7, TRACK 3, FWD, TIC *4931.15 +/- 4	2R5	4	1	4,018,066:86.1	
3260	97	178	17:08:51.533			DMS:	: *AT SPD	R7, TRACK 3, FWD, TIC 4931.15 +/- 4	2R5	4	1	4,018,066:86.1	
3261	97	178	17:08:54.800		C9JNGRS03901-	NIMPBK	301EA	JUPITER GREAT RED SPOT 39 DEGREE	2R5	4	1	:	
3262	97	178	17:08:54.800		117EN105A106A4A	7STRP	0.041023,0.0,0.0	Slew =,0.21	2R5	4	1	4,018,067:00.0	
3263	97	178	17:12:14.800		117EN11A	CSMOS	GE	***** GROUP END CSMOS	2R5	4	1	4,018,070:27.0	
3264	97	178	17:12:14.800		C9JNGRS03901-	DESEL	300EA	JUPITER GREAT RED SPOT 39 DEGREE	2R5	4	1	:	
3265	97	178	17:12:16.800		175EN422A6B	6DMSC	RDY,0	DMS Control Tape stop	2R5	4	1	4,018,070:30.0	
3266	97	178	17:12:16.800		175EN6A	6TMREC	NRC	NO RECORD Record Mode Change	2R5	4	1	4,018,070:30.0	
3267	97	178	17:12:16.800			DMS:	: *RUNDOWN	R7, TRACK 3, FWD, TIC *4979.26 +/- 4	2R5	4	1	4,018,070:30.0	
3268	97	178	17:12:18.000			DMS:	: *READY	RDY, TRACK 3, FWD, TIC *4979.32 +/- 4	2R5	4	1	4,018,070:31.8	
3269	97	178	17:13:01.466		C9JNGRS03901-		-----STOP-----		2R5	4	1	:	
3270	97	178	17:15:58.800		165HL4A	7SCAN	NORM,15,473,8.02	Check S/P Position	2R5	4	1	4,018,073:90.0	
3271	97	178	17:16:50.800		117HL	CSMOS	GS	***** GROUP START CSMOS	2R5	4	1	4,018,074:77.0	
3272	97	178	17:16:58.800		165HL4B	7VECT		Inert vect update UTC	2R5	4	1	4,018,074:89.0	
3273	97	178	17:17:00.133		176HL6A	6TMREC	BPT	7.68 KBPS PPR BURST TO TAPE Record Mode C	2R5	4	1	4,018,075:00.0	
3274	97	178	17:17:00.133		117HL105A106A4A	7STRP	0.005,0.0,0.0,0.0	Slew =,0.04	2R5	4	1	4,018,075:00.0	
3275	97	178	17:19:06.800		117HL105A106A4B	7STRP	-0.005,0.0011,0.	Slew =,2.61	2R5	4	1	4,018,077:08.0	
3276	97	178	17:19:12.133		117HL105A106A4C	7STRP	0.005,0.0,0.0,0.0	Slew =,0.04	2R5	4	1	4,018,077:16.0	
3277	97	178	17:21:18.800		117HL105A106A4D	7STRP	-0.005,0.0011,0.	Slew =,2.61	2R5	4	1	4,018,079:24.0	
3278	97	178	17:21:30.133		117HL105A106A4E	7STRP	0.005,0.0,0.0,0.0	Slew =,0.04	2R5	4	1	4,018,079:32.0	
3279	97	178	17:23:30.800		117HL105A106A4F	7STRP	-0.005,0.0011,0.	Slew =,2.61	2R5	4	1	4,018,081:40.0	
3280	97	178	17:23:36.133		117HL105A106A4G	7STRP	0.005,0.0,0.0,0.0	Slew =,0.04	2R5	4	1	4,018,081:48.0	
3281	97	178	17:25:42.800		117HL105A106A4H	7STRP	-0.005,0.0011,0.	Slew =,2.61	2R5	4	1	4,018,083:56.0	
3282	97	178	17:25:48.133		117HL105A106A4I	7STRP	0.005,0.0,0.0,0.0	Slew =,0.04	2R5	4	1	4,018,083:64.0	
3283	97	178	17:27:54.800		117HL11A	CSMOS	GE	***** GROUP END CSMOS	2R5	4	1	4,018,085:72.0	
3284	97	178	17:28:07.466		176HL6B	6TMREC	NRC	NO RECORD Record Mode Change	2R5	4	1	4,018,086:00.0	
3285	97	178	17:28:09.466		50ZZ6XX	6DMSC	R7,0	DMS Control Tape runup 7.68kps	2R5	4	1	4,018,086:03.0	
3286	97	178	17:28:09.466			DMS:	: *E4-DELAY	RDY, TRACK *1, FWD, TIC 4979.32 +/- 4	2R5	4	1	4,018,086:03.0	
3287	97	178	17:28:16.133			DMS:	: *RUNUP	R7, TRACK *3, FWD, TIC 4979.32 +/- 4	2R5	4	1	4,018,086:13.0	
3288	97	178	17:28:17.533			DMS:	: *AT SPD	R7, TRACK 3, FWD, TIC *4979.44 +/- 4	2R5	4	1	4,018,086:15.1	
3289	97	178	17:28:19.466			DMS:	: *RECORD	R7, TRACK 3, FWD, TIC *4979.89 +/- 4	2R5	4	1	4,018,086:18.0	
3290	97	178	17:28:36.800		50ZZ6RD	6DMSC	RDY,0	DMS Control Tape stop	2R5	4	1	4,018,086:44.0	
3291	97	178	17:28:36.800			DMS:	: *RUNDOWN	R7, TRACK 3, FWD, TIC *4983.95 +/- 4	2R5	4	1	4,018,086:44.0	
3292	97	178	17:28:38.000			DMS:	: *READY	RDY, TRACK 3, FWD, TIC *4984.01 +/- 4	2R5	4	1	4,018,086:45.8	
3293	97	178	17:31:13.466		480MH6A	6MROH	12,2282,0,A2	read from LLM1A12,2282,0,A2	2R5	4	1	4,018,089:06.0	
3294	97	178	17:31:13.466		480MH6	6MROH		12 read from LLM1A12,2282,0,A2	2R5	4	1	4,018,089:06.0	
3295	97	178	17:46:27.466		20MH6A	6CKSUM	MAG,4040,46F0		2R5	4	1	4,018,104:12.0	
3296	97	178	17:47:24.133		480MI6	6MROH		12 read from LLM1A12,2282,0,A2	2R5	4	1	4,018,105:06.0	
3297	97	178	17:47:24.133		480MI6A	6MROH	12,2282,0,A2	read from LLM1A12,2282,0,A2	2R5	4	1	4,018,105:06.0	
3298	97	178	17:55:29.466		C9NNRELOAD05-		-----START-----		2R5	4	1	:	

Line	YR	DOY	SCET - GMT	PSID	Command	Parameters	Description	GCM	GO	GS	RIM	MFI
3299	97	178	17:56:30.133	20EF6A	6CKSUM	NIMS	NIMS,1000,14BC	2R5	4	1	4,018,114:06:0	
3300	97	178	17:57:30.800	20EF5A	37PL		Program Load (halts microprocessor & unwri	2R5	4	1	4,018,115:06:0	
3301	97	178	17:58:31.466	20EF5B	37MRL		Memory Realocate (software operates from R	2R5	4	1	4,018,116:06:0	
3302	97	178	17:59:32.133	20EF6B	6MCOPY	NIMS	NIMS,1000,LLM1A,7300,77F7	2R5	4	1	4,018,117:06:0	
3303	97	178	18:00:00.133	488Y6B	6TMSED	NORM,GL8	Sci, Eng, and D/L Chan	2R5	4	1	4,018,117:48:0	
3304	97	178	18:00:32.800	20EF6C	6MCOPY	NIMS	NIMS,1598,LLM1A,77F8,781D	2R5	4	1	4,018,118:06:0	
3305	97	178	18:01:33.466	20EF5C	37IRT		Instrument Reset (goes into POR state)	260	4	0	4,018,119:06:0	
3306	97	178	18:02:34.133	20EF5D	37MN		Memory Normal (software operates from ROM)	260	4	0	4,018,120:06:0	
3307	97	178	18:03:34.800	20EF4A	37IST	1,2,0,OFF,0,0,0	Chopper ON, Sync, Chopper (Ref)	2R0	4	0	4,018,121:06:0	
3308	97	178	18:04:35.466	20EF4B	37IOP	3,0	Long Map, Grating Start Position =00	2R3	4	0	4,018,122:06:0	
3309	97	178	18:05:36.132	C9NNRELOAD05-		-----STOP-----		2R3	4	0	:	:
3310	97	178	18:05:36.132	C9JNSPOLE06-		-----START-----		2R3	4	0	:	:
3311	97	178	18:06:32.133	165E04A	7SCAN	NORM,353.424,-7.	Check S/P Position	2R3	4	0	4,018,123:90:0	
3312	97	178	18:09:30.133	127E04A	37IOP	5,1	Short Map, Grating Start Position =01	2R5	4	1	4,018,126:84:0	
3313	97	178	18:09:30.133	127E0	NIMSTAB	GS	%%%%GROUP START TAB	2R5	4	1	4,018,126:84:0	
3314	97	178	18:09:30.800	127E04B	37ETB		Loads wavelength edit table	2R5	4	1	4,018,126:85:0	
3315	97	178	18:09:38.800	127E011A	NIMSTAB	GE	%%%%GROUP END TAB	2R5	4	1	4,018,127:06:0	
3316	97	178	18:10:24.133	175E0422A6A	6DMSC	R7,3	DMS Control	2R5	4	1	4,018,127:74:0	
3317	97	178	18:10:24.133		DMS:	:*E4-DELAY	RDY, TRACK *1, FWD, TIC 4984.01 +/- 4	2R5	4	1	4,018,127:74:0	
3318	97	178	18:10:26.133	117E0	CSMOS	GS	***** GROUP START CSMOS	2R5	4	1	4,018,127:77:0	
3319	97	178	18:10:30.800		DMS:	:*RUNUP	R7, TRACK *3, FWD, TIC 4984.01 +/- 4	2R5	4	1	4,018,127:84:0	
3320	97	178	18:10:32.133	175E0176A6A	6TMREC	LPU	7.68 KBPS NIMS-UVS-PPR RECORD Record Mode	2R5	4	1	4,018,127:86:0	
3321	97	178	18:10:32.200		DMS:	:*RECORD	R7, TRACK 3, FWD, TIC *4984.13 +/- 4	2R5	4	1	4,018,127:86:1	
3322	97	178	18:10:32.200		DMS:	:*AT SPD	R7, TRACK 3, FWD, TIC 4984.13 +/- 4	2R5	4	1	4,018,127:86:1	
3323	97	178	18:10:35.466	117E0105A106A4A	7STRP		Slew =-0.11	2R5	4	1	4,018,128:00:0	
3324	97	178	18:10:35.466	C9JNSPOLE06-	NIMPBK	301EB	JUPITER SOUTH POLE MAP PART 6	2R5	4	1	:	:
3325	97	178	18:16:43.466	117E0105A106A4B	7STRP	-0.040021,0.0,0.0	Slew =12.01	2R5	4	1	4,018,134:06:0	
3326	97	178	18:16:56.800	117E0105A106A4C	7STRP	0.040021,0.0,0.0	Slew =-0.11	2R5	4	1	4,018,134:26:0	
3327	97	178	18:17:04.800	C9JNSPOLE06-	DESEL	300EB	JUPITER SOUTH POLE MAP PART 6	2R5	4	1	:	:
3328	97	178	18:17:06.800	175E06A	6TMREC	RDY,0	NO RECORD Record Mode Change	2R5	4	1	4,018,134:41:0	
3329	97	178	18:17:06.800	175E0422A6B	6DMSC	RDC	DMS Control Tape stop	2R5	4	1	4,018,134:41:0	
3330	97	178	18:17:06.800		DMS:	:*RUNDOWN	R7, TRACK 3, FWD, TIC *5076.62 +/- 4	2R5	4	1	4,018,134:41:0	
3331	97	178	18:17:08.000		DMS:	:*READY	RDY, TRACK 3, FWD, TIC *5076.68 +/- 4	2R5	4	1	4,018,134:42:8	
3332	97	178	18:23:04.800	117E011A	CSMOS	GE	***** GROUP END CSMOS	2R5	4	1	4,018,140:32:0	
3333	97	178	18:24:48.799	C9JNSPOLE06-		-----STOP-----		2R5	4	1	:	:
3334	97	178	19:27:30.132	C9JNGRSFUL01-		-----START-----		2R5	4	1	:	:
3335	97	178	19:30:23.466	127ET	NIMSTAB	GS	%%%%GROUP START TAB	2R5	4	1	4,018,206:84:0	
3336	97	178	19:30:23.466	127ET4A	37IOP	3,0	Long Map, Grating Start Position =00	2R3	4	0	4,018,206:84:0	
3337	97	178	19:30:24.133	127ET4B	37ETB	04,C4,35,FF,FF	Loads wavelength edit table	2R3	4	0	4,018,206:85:0	
3338	97	178	19:30:27.466	165ET4A	7SCAN	NORM,356.873997,	Check S/P Position	2R3	4	0	4,018,206:90:0	
3339	97	178	19:30:32.133	127ET11A	NIMSTAB	GE	%%%%GROUP END TAB	2R3	4	0	4,018,207:06:0	
3340	97	178	19:31:15.466	175ET422A6A	6DMSC	R28,3	DMS Control	2R3	4	0	4,018,207:71:0	
3341	97	178	19:31:15.466		DMS:	:*E4-DELAY	RDY, TRACK *1, FWD, TIC 5076.68 +/- 4	2R3	4	0	4,018,207:71:0	
3342	97	178	19:31:18.800	118ET	SMOS	GS		2R3	4	0	4,018,207:76:0	
3343	97	178	19:31:22.133		DMS:	:*RUNUP	R28, TRACK *3, FWD, TIC 5076.68 +/- 4	2R3	4	0	4,018,207:81:0	
3344	97	178	19:31:25.466	175ET176A6A	6TMREC	MPW	28.8 KBPS PWS + NIMS RECORD Record Mode C	2R3	4	0	4,018,207:86:0	
3345	97	178	19:31:26.133		DMS:	:*AT SPD	R28, TRACK 3, FWD, TIC 5078.18 +/- 4	2R3	4	0	4,018,207:87:0	
3346	97	178	19:31:26.133		DMS:	:*RECORD	R28, TRACK 3, FWD, TIC *5078.18 +/- 4	2R3	4	0	4,018,207:87:0	
3347	97	178	19:31:28.800	118ET110A11A4A	7STRP	0.00355,0.0,104,	Slew =,3.01	2R3	4	0	4,018,208:00:0	
3348	97	178	19:31:28.800	C9JNGRSFUL01-	NIMPBK	301EC	JUPITER GREAT RED SPOT FULL-SPEC	2R3	4	0	:	:
3349	97	178	19:35:45.466	C9JNGRSFUL01-	DESEL	300EC	JUPITER GREAT RED SPOT FULL-SPEC	2R3	4	0	:	:
3350	97	178	19:35:47.466	175ET422A6B	6DMSC	RDY,0	DMS Control Tape stop	2R3	4	0	4,018,212:24:0	
3351	97	178	19:35:47.466		DMS:	:*RUNDOWN	R28, TRACK 3, FWD, TIC *5307.86 +/- 4	2R3	4	0	4,018,212:24:0	
3352	97	178	19:35:48.666		DMS:	:*READY	RDY, TRACK 3, FWD, TIC *5308.16 +/- 4	2R3	4	0	4,018,212:25:8	
3353	97	178	19:38:24.800	118ET11A	SMOS	GE		2R3	4	0	4,018,214:78:0	

Line	YR	DOY	SCET - GMT	PSID	Command	Parameters	Description	GCM	GO	GS	RIM	MFI
3354	97	178	19:38:37.466	C9JNGRSFUL01-		-----STOP-----		2R3	4	0	:	:
3355	97	178	20:07:56.799	C9JNGRS03902-		-----START-----		2R3	4	0	:	:
3356	97	178	20:08:48.800	127EU	NIMSTAB	GS	%%-%-% GROUP START	2R3	4	0	4,018,244:84:0	
3357	97	178	20:08:48.800	127EU4A	37IOP	5,1	Short Map, Grating Start Position =01	2R5	4	1	4,018,244:84:0	
3358	97	178	20:08:49.466	127EU4B	37ETB		Leads wavelength edit table	2R5	4	1	4,018,244:85:0	
3359	97	178	20:08:52.800	165EU4A	7SCAN	NORM;357,428997,	Check S/P Position	2R5	4	1	4,018,244:90:0	
3360	97	178	20:08:57.466	127EU11A	NIMSTAB	GE	%%-%-% GROUP END	2R5	4	1	4,018,245:06:0	
3361	97	178	20:09:42.800		DMS:	:*E4-DELAY	RDY, TRACK *1, FWD, TIC 5308.16 +/- 4	2R5	4	1	4,018,245:74:0	
3362	97	178	20:09:42.800	175EU422A6A	6DMSC	R7,3	DMS Control	2R5	4	1	4,018,245:74:0	
3363	97	178	20:09:44.800	117EU	CSMOS	GS	**** GROUP START CSMOS	2R5	4	1	4,018,245:77:0	
3364	97	178	20:09:49.466		DMS:	:*RUNUP	R7, TRACK *3, FWD, TIC 5308.16 +/- 4	2R5	4	1	4,018,245:84:0	
3365	97	178	20:09:50.800	175EU176A6A	6TMREC	LPU	7.68 KBPS NIMS-UVS-PPR RECORD	2R5	4	1	4,018,245:86:0	
3366	97	178	20:09:50.866		DMS:	:*RECORD	R7, TRACK 3, FWD, TIC *5308.28 +/- 4	2R5	4	1	4,018,245:86:1	
3367	97	178	20:09:50.866		DMS:	:*AT SPD	R7, TRACK 3, FWD, TIC 5308.28 +/- 4	2R5	4	1	4,018,245:86:1	
3368	97	178	20:09:54.133	C9JNGRS03902-	NIMPBK	301ED	JUPITER GREAT RED SPOT 39 DEGREE	2R5	4	1	:	:
3369	97	178	20:09:54.133	117EU105A106A4A	7STRP	0.021803,0.0,0.0	JUPITER GREAT RED SPOT 39 DEGREE	2R5	4	1	:	:
3370	97	178	20:13:14.133	C9JNGRS03902-	DESEL	300ED	JUPITER GREAT RED SPOT 39 DEGREE	2R5	4	1	:	:
3371	97	178	20:13:14.133	117EU11A	CSMOS	GE	**** GROUP END CSMOS	2R5	4	1	:	:
3372	97	178	20:13:16.133	175EU6A	6TMREC	NRC	NO RECORD Record Mode Change	2R5	4	1	4,018,249:30:0	
3373	97	178	20:13:16.133	175EU422A6B	6DMSC	RDY,0	DMS Control Tape stop	2R5	4	1	4,018,249:30:0	
3374	97	178	20:13:16.133		DMS:	:*RUNDOWN	R7, TRACK 3, FWD, TIC *5356.39 +/- 4	2R5	4	1	4,018,249:30:0	
3375	97	178	20:13:17.333		DMS:	:*READY	RDY, TRACK 3, FWD, TIC *5356.45 +/- 4	2R5	4	1	4,018,249:31:8	
3376	97	178	20:14:00.799	C9JNGRS03902-		-----STOP-----		2R5	4	1	:	:
3377	97	178	20:19:04.132	C9JNGRS03903-		-----START-----		2R5	4	1	:	:
3378	97	178	20:20:00.133	165EV4A	7SCAN	NORM;357,675999,	Check S/P Position	2R5	4	1	4,018,255:90:0	
3379	97	178	20:23:52.133	175EV422A6A	6DMSC	R7,3	DMS Control	2R5	4	1	4,018,259:74:0	
3380	97	178	20:23:52.133		DMS:	:*E4-DELAY	RDY, TRACK *1, FWD, TIC 5356.45 +/- 4	2R5	4	1	4,018,259:74:0	
3381	97	178	20:23:54.133	117EV	CSMOS	GS	**** GROUP START CSMOS	2R5	4	1	4,018,259:77:0	
3382	97	178	20:23:58.800		DMS:	:*RUNUP	R7, TRACK *3, FWD, TIC 5356.45 +/- 4	2R5	4	1	4,018,259:84:0	
3383	97	178	20:24:00.133	175EV176A6A	6TMREC	LPU	7.68 KBPS NIMS-UVS-PPR RECORD	2R5	4	1	4,018,259:86:0	
3384	97	178	20:24:00.200		DMS:	:*RECORD	R7, TRACK 3, FWD, TIC *5356.57 +/- 4	2R5	4	1	4,018,259:86:1	
3385	97	178	20:24:00.200		DMS:	:*AT SPD	R7, TRACK 3, FWD, TIC 5356.57 +/- 4	2R5	4	1	4,018,259:86:1	
3386	97	178	20:24:03.466	C9JNGRS03903-	NIMPBK	301EE	JUPITER GREAT RED SPOT 39 DEGREE	2R5	4	1	:	:
3387	97	178	20:24:03.466	117EV105A106A4A	7STRP	0.021803,0.0,0.0	JUPITER GREAT RED SPOT 39 DEGREE	2R5	4	1	:	:
3388	97	178	20:27:23.466	117EV105A106A4B	7STRP	-0.023004,0.008,	Slew =12.01	2R5	4	1	4,018,263:27:0	
3389	97	178	20:27:23.466	C9JNGRS03903-	DESEL	300EE	JUPITER GREAT RED SPOT 39 DEGREE	2R5	4	1	:	:
3390	97	178	20:27:25.466		DMS:	:*RUNDOWN	R7, TRACK 3, FWD, TIC *5404.68 +/- 4	2R5	4	1	4,018,263:30:0	
3391	97	178	20:27:25.466	175EV422A6B	6DMSC	RDY,0	DMS Control Tape stop	2R5	4	1	4,018,263:30:0	
3392	97	178	20:27:25.466	175EV6A	6TMREC	NRC	NO RECORD Record Mode Change	2R5	4	1	4,018,263:30:0	
3393	97	178	20:27:26.666		DMS:	:*READY	RDY, TRACK 3, FWD, TIC *5404.74 +/- 4	2R5	4	1	4,018,263:31:8	
3394	97	178	20:27:36.800	117EV105A106A4C	7STRP	0.021803,0.0,0.0	Slew =,0.11	2R5	4	1	4,018,263:47:0	
3395	97	178	20:30:56.800	117EV11A	CSMOS	GE	**** GROUP END CSMOS	2R5	4	1	4,018,266:74:0	
3396	97	178	20:31:12.132	C9JNGRS03903-		-----STOP-----		2R5	4	1	:	:
3397	97	178	20:41:18.799	C9JNSPOLE08-		-----START-----		2R5	4	1	:	:
3398	97	178	20:43:15.466	165EX4A	7SCAN	NORM;3,152,-2,56	Check S/P Position	2R5	4	1	4,018,278:90:0	
3399	97	178	20:44:05.466	175EX422A6A	6DMSC	R7,3	DMS Control	2R5	4	1	4,018,279:74:0	
3400	97	178	20:44:05.466		DMS:	:*E4-DELAY	RDY, TRACK *1, FWD, TIC 5404.74 +/- 4	2R5	4	1	4,018,279:74:0	
3401	97	178	20:44:07.466	117EX	CSMOS	GS	**** GROUP START CSMOS	2R5	4	1	4,018,279:77:0	
3402	97	178	20:44:12.133		DMS:	:*RUNUP	R7, TRACK *3, FWD, TIC 5404.74 +/- 4	2R5	4	1	4,018,279:84:0	
3403	97	178	20:44:13.466	175EX176A6A	6TMREC	LPU	7.68 KBPS NIMS-UVS-PPR RECORD	2R5	4	1	4,018,279:86:0	
3404	97	178	20:44:13.533		DMS:	:*RECORD	R7, TRACK 3, FWD, TIC *5404.86 +/- 4	2R5	4	1	4,018,279:86:1	
3405	97	178	20:44:13.533		DMS:	:*AT SPD	R7, TRACK 3, FWD, TIC 5404.86 +/- 4	2R5	4	1	4,018,279:86:1	
3406	97	178	20:44:16.800	117EX105A106A4A	7STRP	0.061076,0.0,0.0	Slew =,0.11	2R5	4	1	4,018,280:00:0	
3407	97	178	20:44:16.800	C9JNSPOLE08-	NIMPBK	301EF	JUPITER SOUTH POLE MAP PART 8	2R5	4	1	:	:
3408	97	178	20:47:35.466	488Y6C	6TMSED	NORM;GL6	Sci, Eng, and D/L Chan	2R5	4	1	4,018,283:25:0	

Line	YR	DOY	SCET - GMT	PSID	Command	Parameters	Description	GCM	GO	GS	RIM	MFI
3409	97	178	20:50:46.133	C9JNSPOLEM08-175EX6A	DESELCD 300EF 6TMREC	NRC	JUPITER SOUTH POLE MAP PART 8 NO RECORD Record Mode Change	2R5	4	1	:	:
3410	97	178	20:50:48.133		DMS:	: *RUNDOWN	R7, TRACK 3, FWD, TIC *5497.35 +/- 4	2R5	4	1	4,018,286:41:0	
3411	97	178	20:50:48.133		DMS:	RDY,0	DMS Control Tape stop	2R5	4	1	4,018,286:41:0	
3412	97	178	20:50:48.133	175EX422A6B	DMS:	: *READY	RDY, TRACK 3, FWD, TIC *5497.41 +/- 4	2R5	4	1	4,018,286:42:8	
3413	97	178	20:50:49.333	117EX11A	CSMOS	GE	***** GROUP END CSMOS	2R5	4	1	4,018,289:20:0	
3414	97	178	20:53:36.133		DMS:	*****STOP		2R5	4	1	:	:
3415	97	178	20:54:27.466	C9JNSPOLEM08-165HH4A	7SCAN	NORM,2.964,-2.83	Check S/P Position	2R5	4	1	4,018,290:90:0	
3416	97	178	20:55:23.466	117HH	CSMOS	GS	***** GROUP START CSMOS	2R5	4	1	4,018,294:77:0	
3417	97	178	20:59:17.466	176HH6A	6TMREC	BPT	7.68 KBPS PPR BURST TO TAPE Record Mode C	2R5	4	1	4,018,295:00:0	
3418	97	178	20:59:26.800	117HH105A106A4A	7STRP	-0.015001,-0.158	Slew =,0.12	2R5	4	1	4,018,295:00:0	
3419	97	178	20:59:26.800	50ZZ6XX	6DMSC	R7,0	DMS Control Tape runup 7.68kps	2R5	4	1	4,018,312:02:0	
3420	97	178	21:16:39.466		DMS:	: *E4-DELAY	RDY, TRACK *1, FWD, TIC 5497.41 +/- 4	2R5	4	1	4,018,312:02:0	
3421	97	178	21:16:39.466		DMS:	*****START		2R5	4	1	:	:
3422	97	178	21:16:42.133	C9NNRELOAD06-	DMS:	: *RUNUP	R7, TRACK *3, FWD, TIC 5497.41 +/- 4	2R5	4	1	4,018,312:12:0	
3423	97	178	21:16:46.133		DMS:	: *AT_SPD	R7, TRACK 3, FWD, TIC *5497.53 +/- 4	2R5	4	1	4,018,312:14:1	
3424	97	178	21:16:47.533		DMS:	: *RECORD	R7, TRACK 3, FWD, TIC *5503.92 +/- 4	2R5	4	1	4,018,312:55:0	
3425	97	178	21:17:14.800		DMS:	: *RUNDOWN	R7, TRACK 3, FWD, TIC *5509.23 +/- 4	2R5	4	1	4,018,312:89:0	
3426	97	178	21:17:37.466		DMS:	RDY,0	DMS Control Tape stop	2R5	4	1	4,018,312:89:0	
3427	97	178	21:17:37.466	50ZZ6RE	DMS:	: *READY	RDY, TRACK 3, FWD, TIC *5509.29 +/- 4	2R5	4	1	4,018,312:90:8	
3428	97	178	21:17:38.666		DMS:			2R5	4	1	4,018,313:06:0	
3429	97	178	21:17:42.800	20EG6A	6CKSUM	NIMS	NIMS,1000,14BC	2R5	4	1	4,018,313:06:0	
3430	97	178	21:18:43.466	20EG5A	37PL		Program Load (halts microprocessor & unwr)	2R5	4	1	4,018,314:06:0	
3431	97	178	21:19:44.133	20EG5B	37MRL		Memory Realocate (software operates from R	2R5	4	1	4,018,315:06:0	
3432	97	178	21:20:44.800	20EG6B	6MCPY	NIMS	NIMS,1000,LLM1A,7300,77F7	2R5	4	1	4,018,316:06:0	
3433	97	178	21:21:45.466	20EG6C	6MCPY	NIMS	NIMS,1598,LLM1A,77F8,781D	2R5	4	1	4,018,317:06:0	
3434	97	178	21:22:46.133	20EG5C	37IRT		Instrument Reset (goes into POR state)	260	4	0	4,018,318:06:0	
3435	97	178	21:23:46.800	20EG5D	37MN		Memory Normal (software operates from ROM)	260	4	0	4,018,319:06:0	
3436	97	178	21:24:47.466	20EG4A	37IST	1,2,0,OFF,0,0,0	Chopper ON, Sync, Chopper (Ref)	2R0	4	0	4,018,320:06:0	
3437	97	178	21:25:48.133	20EG4B	37IOP	3,0	Long Map, Grating Start Position =00	2R3	4	0	4,018,321:06:0	
3438	97	178	21:26:48.800	C9NNRELOAD06-	DMS:	*****STOP		2R3	4	0	:	:
3439	97	178	21:31:52.133	C9INVOLCAN01-	DMS:	*****START		2R3	4	0	:	:
3440	97	178	21:32:48.133	117HH11A	CSMOS	GE	***** GROUP END CSMOS	2R3	4	0	4,018,327:90:0	
3441	97	178	21:32:48.800	176HH6B	6TMREC	NRC	NO RECORD Record Mode Change	2R3	4	0	4,018,328:00:0	
3442	97	178	21:32:50.800		DMS:	: *E4-DELAY	RDY, TRACK *1, FWD, TIC 5509.29 +/- 4	2R3	4	0	4,018,328:03:0	
3443	97	178	21:32:50.800	50ZZ6XX	6DMSC	R7,0	DMS Control Tape runup 7.68kps	2R3	4	0	4,018,328:03:0	
3444	97	178	21:32:54.800	165EZ4A	7SCAN	NORM,28.16,13.16	Check S/P Position	2R3	4	0	4,018,328:09:0	
3445	97	178	21:32:57.466		DMS:	: *RUNUP	R7, TRACK *3, FWD, TIC 5509.29 +/- 4	2R3	4	0	4,018,328:13:0	
3446	97	178	21:32:58.866		DMS:	: *AT_SPD	R7, TRACK 3, FWD, TIC *5509.41 +/- 4	2R3	4	0	4,018,328:15:1	
3447	97	178	21:33:00.800		DMS:	: *RECORD	R7, TRACK 3, FWD, TIC *5509.86 +/- 4	2R3	4	0	4,018,328:18:0	
3448	97	178	21:33:21.466		DMS:	: *RUNDOWN	R7, TRACK 3, FWD, TIC *5514.71 +/- 4	2R3	4	0	4,018,328:49:0	
3449	97	178	21:33:21.466	50ZZ6RD	6DMSC	RDY,0	DMS Control Tape stop	2R3	4	0	4,018,328:49:0	
3450	97	178	21:33:22.666		DMS:	: *READY	RDY, TRACK 3, FWD, TIC *5514.77 +/- 4	2R3	4	0	4,018,328:50:8	
3451	97	178	21:34:45.466	125EY11A	NIMSINIT	GE	##### GROUP END INIT	2R3	4	0	4,018,329:84:0	
3452	97	178	21:34:45.466	125EY4A	37IST	1,2,0,OFF,0,1,1	Chopper ON, Sync, Chopper (Ref)Gain State	4R3	4	0	4,018,329:84:0	
3453	97	178	21:34:45.466	125EY	NIMSINIT	GS	##### GROUP START INIT	4R3	4	0	4,018,329:84:0	
3454	97	178	21:35:46.133	127EY	NIMSTAB	GS	%%%%% GROUP START TAB	4R3	4	0	4,018,330:84:0	
3455	97	178	21:35:46.800	127EY4A	37ETB	07,C7,03,A1,00,0	Loads wavelength edit table	4R3	4	0	4,018,330:85:0	
3456	97	178	21:35:54.800	127EY11A	NIMSTAB	GE	%%%%% GROUP END TAB	4R3	4	0	4,018,331:06:0	
3457	97	178	21:36:40.133		DMS:	: *E4-DELAY	RDY, TRACK *1, FWD, TIC 5514.77 +/- 4	4R3	4	0	4,018,331:74:0	
3458	97	178	21:36:40.133	175EY422A6A	6DMSC	R7,3	DMS Control	4R3	4	0	4,018,331:74:0	
3459	97	178	21:36:42.133	117EZ	CSMOS	GS	***** GROUP START CSMOS	4R3	4	0	4,018,331:77:0	
3460	97	178	21:36:46.200		DMS:	: *RUNUP	R7, TRACK *3, FWD, TIC 5514.77 +/- 4	4R3	4	0	4,018,331:84:0	
3461	97	178	21:36:48.133	175EY176A6A	6TMREC	LPU	7.68 KBPS NIMS-UVS-PPR RECORD Record Mode	4R3	4	0	4,018,331:86:0	
3462	97	178	21:36:48.200		DMS:	: *RECORD	R7, TRACK 3, FWD, TIC *5514.89 +/- 4	4R3	4	0	4,018,331:86:1	
3463	97	178	21:36:48.200		DMS:	: *AT_SPD	R7, TRACK 3, FWD, TIC 5514.89 +/- 4	4R3	4	0	4,018,331:86:1	

Line	YR	DOY	SCET - GMT	PSID	Command	Parameters	Description	GCM	GO	GS	RIM	MFI
3464	97	178	21:36:51.466	117EZ105A106A4A	7STRP	0.0018,0.0,0.0,0	Slew = 0.02	4R3	4	0	4,018,332:00:0	
3465	97	178	21:36:51.466	C9INVOLCAN01-	NIMPBK	301EG	MONITORING OF SELECTED VOLCANIC	4R3	4	0	:	
3466	97	178	21:38:24.800	C9INVOLCAN01-	DESELC	300EG	MONITORING OF SELECTED VOLCANIC	4R3	4	0	:	
3467	97	178	21:38:24.800	117EZ11A	CSMOS	GE	**** GROUP END CSMOS	4R3	4	0	4,018,333:49:0	
3468	97	178	21:38:26.800	175EY6A	6TMREC	NRC	NO RECORD Record Mode Change	4R3	4	0	4,018,333:52:0	
3469	97	178	21:38:26.800		DMS:	:*RUNDOWN	R7, TRACK 3, FWD, TIC *5538.00 +/- 4	4R3	4	0	4,018,333:52:0	
3470	97	178	21:38:26.800	175EY422A6B	6DMSC	RDY,0	DMS Control Tape stop	4R3	4	0	4,018,333:52:0	
3471	97	178	21:38:28.000		DMS:	:*READY	RDY, TRACK 3, FWD, TIC *5538.06 +/- 4	4R3	4	0	4,018,333:53:8	
3472	97	178	21:38:56.800	C9INVOLCAN01-		-----STOP-----		4R3	4	0	:	
3473	97	178	22:00:00.133	488Y6D	6TMSED	NORM,FL6	Sci, Eng, and D/L Chan	4R3	4	0	4,018,354:81:0	
3474	97	178	22:00:00.800	282ND432A431A6A	6RCDL	DDSCNG,PLSDSL,EP	Record Deselect (DDS o	4R3	4	0	4,018,354:82:0	
3475	97	178	22:00:01.466	282ND432A6A	6RTSL1		R/T Select of DDS and	4R3	4	0	4,018,354:83:0	
3476	97	178	22:21:27.466	488Z6A	6TMSED	NORM,FL5	Sci, Eng, and D/L Chan	4R3	4	0	4,018,376:10:0	
3477	97	178	22:26:28.133	C9INCHEMIS03-		-----START-----		4R3	4	0	:	
3478	97	178	22:27:24.133	165FB4A	7SCAN	NORM,29.891,13.8	Check S/P Position	4R3	4	0	4,018,381:90:0	
3479	97	178	22:27:51.466	488Z6B	6TMSED	NORM,FL4	Sci, Eng, and D/L Chan	4R3	4	0	4,018,382:40:0	
3480	97	178	22:29:21.466	125FB4A	37IST	1.2,0,OFF,0,1,0	Chopper ON, Sync, Chopper (Ref)Gain State	2R3	4	0	4,018,383:84:0	
3481	97	178	22:29:21.466	125FB11A	NIMSINIT	GE	##### GROUP END INIT	2R3	4	0	4,018,383:84:0	
3482	97	178	22:29:21.466	125FB	NIMSINIT	GS	##### GROUP START INIT	2R3	4	0	4,018,383:84:0	
3483	97	178	22:30:22.133	127FB	NIMSTAB	GS	%% %% %% GROUP START TAB	2R3	4	0	4,018,384:84:0	
3484	97	178	22:30:22.800	127FB4A	37ETB	07,C7,02,25,80,0	Loads wavelength edit table	2R3	4	0	4,018,384:85:0	
3485	97	178	22:30:30.800	127FB11A	NIMSTAB	GE	%% %% %% GROUP END TAB	2R3	4	0	4,018,385:06:0	
3486	97	178	22:31:16.133	175FB422A6A	6DMSC	R7,3	DMS Control	2R3	4	0	4,018,385:74:0	
3487	97	178	22:31:16.133		DMS:	:*E4-DELAY	RDY, TRACK *1, FWD, TIC 5538.06 +/- 4	2R3	4	0	4,018,385:74:0	
3488	97	178	22:31:18.133	117FB	CSMOS	GS	**** GROUP START CSMOS	2R3	4	0	4,018,385:77:0	
3489	97	178	22:31:22.800		DMS:	:*RUNUP	R7, TRACK *3, FWD, TIC 5538.06 +/- 4	2R3	4	0	4,018,385:84:0	
3490	97	178	22:31:24.133	175FB176A6A	6TMREC	LPU	7.68 KBPS NIMS-UVS-PPR RECORD Record Mode	2R3	4	0	4,018,385:86:0	
3491	97	178	22:31:24.200		DMS:	:*AT SPD	R7, TRACK 3, FWD, TIC 5538.18 +/- 4	2R3	4	0	4,018,385:86:1	
3492	97	178	22:31:24.200		DMS:	:*RECORD	R7, TRACK 3, FWD, TIC *5538.18 +/- 4	2R3	4	0	4,018,385:86:1	
3493	97	178	22:31:26.133	165FB4B	7VECT		Inert vect update UTC	2R3	4	0	4,018,385:89:0	
3494	97	178	22:31:27.466	C9INCHEMIS03-	NIMPBK	301EH	MONITORING OF IO'S DAYSIDE	2R3	4	0	:	
3495	97	178	22:31:27.466	117FB105A106A4A	7STRP	0.0036,0.0,0.0,0.0	Slew = 0.03	2R3	4	0	4,018,386:00:0	
3496	97	178	22:33:28.800	117FB105A106A4B	7STRP	-0.0005,0.0,0.0,0.0	Slew = 12.01	2R3	4	0	4,018,388:00:0	
3497	97	178	22:33:38.133	117FB105A106A4C	7STRP	0.0036,0.0,0.0,0.0	Slew = 0.03	2R3	4	0	4,018,388:14:0	
3498	97	178	22:34:47.466	C9INCHEMIS03-	DESELC	300EH	MONITORING OF IO'S DAYSIDE	2R3	4	0	:	
3499	97	178	22:34:49.466		DMS:	:*RUNDOWN	R7, TRACK 3, FWD, TIC *5586.29 +/- 4	2R3	4	0	4,018,389:30:0	
3500	97	178	22:34:49.466	175FB422A6B	6DMSC	RDY,0	DMS Control Tape stop	2R3	4	0	4,018,389:30:0	
3501	97	178	22:34:49.466	175FB6A	6TMREC	NRC	NO RECORD Record Mode Change	2R3	4	0	4,018,389:30:0	
3502	97	178	22:34:50.666		DMS:	:*READY	RDY, TRACK 3, FWD, TIC *5586.35 +/- 4	2R3	4	0	4,018,389:31:8	
3503	97	178	22:35:39.466	117FB11A	CSMOS	GE	**** GROUP END CSMOS	2R3	4	0	4,018,390:14:0	
3504	97	178	22:36:34.800	C9INCHEMIS03-		-----STOP-----		2R3	4	0	:	
3505	97	178	22:41:38.132	C9JUNFEA05701-		-----START-----		2R3	4	0	:	
3506	97	178	22:42:34.133	165FC4A	7SCAN	NORM,10.201,6.01	Check S/P Position	2R3	4	0	4,018,396:90:0	
3507	97	178	22:45:32.133	127FC	NIMSTAB	GS	%% %% %% GROUP START TAB	2R3	4	0	4,018,399:84:0	
3508	97	178	22:45:32.133	127FC4A	37IOP	5,1	Short Map, Grating Start Position =01	2R5	4	1	4,018,399:84:0	
3509	97	178	22:45:32.800	127FC4B	37ETB		Loads wavelength edit table	2R5	4	1	4,018,399:85:0	
3510	97	178	22:45:40.800	127FC11A	NIMSTAB	GE	%% %% %% GROUP END TAB	2R5	4	1	4,018,400:06:0	
3511	97	178	22:46:26.133	175FC422A6A	6DMSC	R7,3	DMS Control	2R5	4	1	4,018,400:74:0	
3512	97	178	22:46:26.133		DMS:	:*E4-DELAY	RDY, TRACK *1, FWD, TIC 5586.35 +/- 4	2R5	4	1	4,018,400:74:0	
3513	97	178	22:46:28.133	117FC	CSMOS	GS	**** GROUP START CSMOS	2R5	4	1	4,018,400:77:0	
3514	97	178	22:46:32.800		DMS:	:*RUNUP	R7, TRACK *3, FWD, TIC 5586.35 +/- 4	2R5	4	1	4,018,400:84:0	
3515	97	178	22:46:34.133	175FC176A6A	6TMREC	LPU	7.68 KBPS NIMS-UVS-PPR RECORD Record Mode	2R5	4	1	4,018,400:86:0	
3516	97	178	22:46:34.200		DMS:	:*AT SPD	R7, TRACK 3, FWD, TIC 5586.47 +/- 4	2R5	4	1	4,018,400:86:1	
3517	97	178	22:46:34.200		DMS:	:*RECORD	R7, TRACK 3, FWD, TIC *5586.47 +/- 4	2R5	4	1	4,018,400:86:1	
3518	97	178	22:46:37.466	117FC105A106A4A	7STRP	0.05506,0.0,0.0,0	Slew = -0.11	2R5	4	1	4,018,401:00:0	

Line	YR	DOY	SCET - GMT	PSID	Command	Parameters	Description	GCM	GO	GS	RIM	MFI
3519	97	178	22:46:37.466	C9JNFEA05701-117FC11A	NIMPBK CSMOS	301EI GE	JUPITER FTR TRK 57 DEGREES PHASE ***** GROUP END CSMOS	2R5	4	1	:	:
3520	97	178	22:55:00.800	C9JNFEA05701-175FC422A6B	DESELN 6DMSC	300EI RDY,0	JUPITER FTR TRK 57 DEGREES PHASE DMS Control Tape stop	2R5	4	1	:	:
3521	97	178	22:58:02.800	C9JNFEA05701-175FC6A	6TMREC	NRC	NO RECORD Record Mode Change	2R5	4	1	:	:
3522	97	178	22:58:04.800	C9JNFEA05701-175FC6A	DMS:	: *RUNDOWN	R7, TRACK 3, FWD, TIC *5748.33 +/- 4	2R5	4	1	:	:
3523	97	178	22:58:04.800	C9JNFEA05701-175FC6A	DMS:	: *READY	RDY, TRACK 3, FWD, TIC *5748.39 +/- 4	2R5	4	1	:	:
3524	97	178	22:58:06.000	C9JNFEA05701-488Z6C	6TMSED	NORM,FL5	Sci, Eng, and D/L Chan	2R5	4	1	:	:
3525	97	178	23:29:43.466	C9JNFEA05701-175FC6A	6TMREC	NRC	NO RECORD Record Mode Change	2R5	4	1	:	:
3526	97	178	23:56:27.466	C9JNFEA05701-175FC6A	DMS:	: *RUNDOWN	R7, TRACK 3, FWD, TIC *5748.33 +/- 4	2R5	4	1	:	:
3527	97	178	00:17:41.466	C9JNFEA05701-175FC6A	DMS:	: *READY	RDY, TRACK 3, FWD, TIC *5748.39 +/- 4	2R5	4	1	:	:
3528	97	179	00:18:42.133	C9JNFEA05701-175FC6A	DMS:	: *RUNDOWN	R7, TRACK 3, FWD, TIC *5748.33 +/- 4	2R5	4	1	:	:
3529	97	179	00:17:41.466	C9JNFEA05701-175FC6A	DMS:	: *READY	RDY, TRACK 3, FWD, TIC *5748.39 +/- 4	2R5	4	1	:	:
3530	97	179	00:18:42.133	C9JNFEA05701-175FC6A	DMS:	: *RUNDOWN	R7, TRACK 3, FWD, TIC *5748.33 +/- 4	2R5	4	1	:	:
3531	97	179	00:19:42.800	C9JNFEA05701-175FC6A	DMS:	: *READY	RDY, TRACK 3, FWD, TIC *5748.39 +/- 4	2R5	4	1	:	:
3532	97	179	00:20:43.466	C9JNFEA05701-175FC6A	DMS:	: *RUNDOWN	R7, TRACK 3, FWD, TIC *5748.33 +/- 4	2R5	4	1	:	:
3533	97	179	00:21:44.133	C9JNFEA05701-175FC6A	DMS:	: *READY	RDY, TRACK 3, FWD, TIC *5748.39 +/- 4	2R5	4	1	:	:
3534	97	179	00:22:44.800	C9JNFEA05701-175FC6A	DMS:	: *RUNDOWN	R7, TRACK 3, FWD, TIC *5748.33 +/- 4	2R5	4	1	:	:
3535	97	179	00:23:45.466	C9JNFEA05701-175FC6A	DMS:	: *READY	RDY, TRACK 3, FWD, TIC *5748.39 +/- 4	2R5	4	1	:	:
3536	97	179	00:24:46.133	C9JNFEA05701-175FC6A	DMS:	: *RUNDOWN	R7, TRACK 3, FWD, TIC *5748.33 +/- 4	2R5	4	1	:	:
3537	97	179	00:25:46.800	C9JNFEA05701-175FC6A	DMS:	: *READY	RDY, TRACK 3, FWD, TIC *5748.39 +/- 4	2R5	4	1	:	:
3538	97	179	00:26:47.466	C9JNFEA05701-175FC6A	DMS:	: *RUNDOWN	R7, TRACK 3, FWD, TIC *5748.33 +/- 4	2R5	4	1	:	:
3539	97	179	00:27:48.133	C9JNFEA05701-175FC6A	DMS:	: *READY	RDY, TRACK 3, FWD, TIC *5748.39 +/- 4	2R5	4	1	:	:
3540	97	179	00:28:44.133	C9JNFEA05701-175FC6A	DMS:	: *RUNDOWN	R7, TRACK 3, FWD, TIC *5748.33 +/- 4	2R5	4	1	:	:
3541	97	179	00:28:48.799	C9JNFEA05701-175FC6A	DMS:	: *READY	RDY, TRACK 3, FWD, TIC *5748.39 +/- 4	2R5	4	1	:	:
3542	97	179	00:31:42.133	C9JNFEA05701-175FC6A	DMS:	: *RUNDOWN	R7, TRACK 3, FWD, TIC *5748.33 +/- 4	2R5	4	1	:	:
3543	97	179	00:31:42.133	C9JNFEA05701-175FC6A	DMS:	: *READY	RDY, TRACK 3, FWD, TIC *5748.39 +/- 4	2R5	4	1	:	:
3544	97	179	00:31:42.800	C9JNFEA05701-175FC6A	DMS:	: *RUNDOWN	R7, TRACK 3, FWD, TIC *5748.33 +/- 4	2R5	4	1	:	:
3545	97	179	00:31:50.800	C9JNFEA05701-175FC6A	DMS:	: *READY	RDY, TRACK 3, FWD, TIC *5748.39 +/- 4	2R5	4	1	:	:
3546	97	179	00:32:36.133	C9JNFEA05701-175FC6A	DMS:	: *RUNDOWN	R7, TRACK 3, FWD, TIC *5748.33 +/- 4	2R5	4	1	:	:
3547	97	179	00:32:36.133	C9JNFEA05701-175FC6A	DMS:	: *READY	RDY, TRACK 3, FWD, TIC *5748.39 +/- 4	2R5	4	1	:	:
3548	97	179	00:32:38.133	C9JNFEA05701-175FC6A	DMS:	: *RUNDOWN	R7, TRACK 3, FWD, TIC *5748.33 +/- 4	2R5	4	1	:	:
3549	97	179	00:32:42.800	C9JNFEA05701-175FC6A	DMS:	: *READY	RDY, TRACK 3, FWD, TIC *5748.39 +/- 4	2R5	4	1	:	:
3550	97	179	00:32:44.133	C9JNFEA05701-175FC6A	DMS:	: *RUNDOWN	R7, TRACK 3, FWD, TIC *5748.33 +/- 4	2R5	4	1	:	:
3551	97	179	00:32:44.200	C9JNFEA05701-175FC6A	DMS:	: *READY	RDY, TRACK 3, FWD, TIC *5748.39 +/- 4	2R5	4	1	:	:
3552	97	179	00:32:44.200	C9JNFEA05701-175FC6A	DMS:	: *RUNDOWN	R7, TRACK 3, FWD, TIC *5748.33 +/- 4	2R5	4	1	:	:
3553	97	179	00:32:47.466	C9JNFEA05701-175FC6A	DMS:	: *READY	RDY, TRACK 3, FWD, TIC *5748.39 +/- 4	2R5	4	1	:	:
3554	97	179	00:32:47.466	C9JNFEA05701-175FC6A	DMS:	: *RUNDOWN	R7, TRACK 3, FWD, TIC *5748.33 +/- 4	2R5	4	1	:	:
3555	97	179	00:36:07.466	C9JNFEA05701-175FC6A	DMS:	: *READY	RDY, TRACK 3, FWD, TIC *5748.39 +/- 4	2R5	4	1	:	:
3556	97	179	00:36:07.466	C9JNFEA05701-175FC6A	DMS:	: *RUNDOWN	R7, TRACK 3, FWD, TIC *5748.33 +/- 4	2R5	4	1	:	:
3557	97	179	00:36:09.466	C9JNFEA05701-175FC6A	DMS:	: *READY	RDY, TRACK 3, FWD, TIC *5748.39 +/- 4	2R5	4	1	:	:
3558	97	179	00:36:09.466	C9JNFEA05701-175FC6A	DMS:	: *RUNDOWN	R7, TRACK 3, FWD, TIC *5748.33 +/- 4	2R5	4	1	:	:
3559	97	179	00:36:09.466	C9JNFEA05701-175FC6A	DMS:	: *READY	RDY, TRACK 3, FWD, TIC *5748.39 +/- 4	2R5	4	1	:	:
3560	97	179	00:36:10.666	C9JNFEA05701-175FC6A	DMS:	: *RUNDOWN	R7, TRACK 3, FWD, TIC *5748.33 +/- 4	2R5	4	1	:	:
3561	97	179	00:36:54.133	C9JNFEA05701-175FC6A	DMS:	: *READY	RDY, TRACK 3, FWD, TIC *5748.39 +/- 4	2R5	4	1	:	:
3562	97	179	00:39:51.466	C9JNFEA05701-175FC6A	DMS:	: *RUNDOWN	R7, TRACK 3, FWD, TIC *5748.33 +/- 4	2R5	4	1	:	:
3563	97	179	00:40:43.466	C9JNFEA05701-175FC6A	DMS:	: *READY	RDY, TRACK 3, FWD, TIC *5748.39 +/- 4	2R5	4	1	:	:
3564	97	179	00:40:52.800	C9JNFEA05701-175FC6A	DMS:	: *RUNDOWN	R7, TRACK 3, FWD, TIC *5748.33 +/- 4	2R5	4	1	:	:
3565	97	179	00:40:52.800	C9JNFEA05701-175FC6A	DMS:	: *READY	RDY, TRACK 3, FWD, TIC *5748.39 +/- 4	2R5	4	1	:	:
3566	97	179	00:43:37.466	C9JNFEA05701-175FC6A	DMS:	: *RUNDOWN	R7, TRACK 3, FWD, TIC *5748.33 +/- 4	2R5	4	1	:	:
3567	97	179	00:43:57.466	C9JNFEA05701-175FC6A	DMS:	: *READY	RDY, TRACK 3, FWD, TIC *5748.39 +/- 4	2R5	4	1	:	:
3568	97	179	00:46:42.133	C9JNFEA05701-175FC6A	DMS:	: *RUNDOWN	R7, TRACK 3, FWD, TIC *5748.33 +/- 4	2R5	4	1	:	:
3569	97	179	00:47:02.133	C9JNFEA05701-175FC6A	DMS:	: *READY	RDY, TRACK 3, FWD, TIC *5748.39 +/- 4	2R5	4	1	:	:
3570	97	179	00:49:46.800	C9JNFEA05701-175FC6A	DMS:	: *RUNDOWN	R7, TRACK 3, FWD, TIC *5748.33 +/- 4	2R5	4	1	:	:
3571	97	179	00:50:06.800	C9JNFEA05701-175FC6A	DMS:	: *READY	RDY, TRACK 3, FWD, TIC *5748.39 +/- 4	2R5	4	1	:	:
3572	97	179	00:52:51.466	C9JNFEA05701-175FC6A	DMS:	: *RUNDOWN	R7, TRACK 3, FWD, TIC *5748.33 +/- 4	2R5	4	1	:	:
3573	97	179	00:53:11.466	C9JNFEA05701-175FC6A	DMS:	: *READY	RDY, TRACK 3, FWD, TIC *5748.39 +/- 4	2R5	4	1	:	:

Line	YR	DOY	SCET - GMT	PSID	Command	Parameters	Description	GCM	GO	GS	RIM	MFI
3574	97	179	00:55:56.133	117HI105A106A4J	7STRP	0.04954,0.0013,0	Slew =12.01	2R5	4	1	4,018,528:81.0	
3575	97	179	00:56:16.133	117HI105A106A4K	7STRP	-0.050042,0.0,0.0,	Slew = 0.31	2R5	4	1	4,018,529:20.0	
3576	97	179	00:58:05.466		DMS:	:*E4-DELAY	RDY, TRACK *1, FWD, TIC 5796.68 +/- 4	2R5	4	1	4,018,531:02.0	
3577	97	179	00:58:05.466	50ZZ6XX	6DMSC	R7,0	DMS Control Tape runup 7.68kps	2R5	4	1	4,018,531:02.0	
3578	97	179	00:58:12.133		DMS:	:*RUNUP	R7, TRACK *3, FWD, TIC 5796.68 +/- 4	2R5	4	1	4,018,531:12.0	
3579	97	179	00:58:13.533		DMS:	:*AT SPD	R7, TRACK 3, FWD, TIC 5796.80 +/- 4	2R5	4	1	4,018,531:14.1	
3580	97	179	00:58:40.800		DMS:	:*RECORD	R7, TRACK 3, FWD, TIC 5803.19 +/- 4	2R5	4	1	4,018,531:55.0	
3581	97	179	00:59:00.800	117HI105A106A4L	7STRP	0.04954,0.0013,0	Slew =12.01	2R5	4	1	4,018,531:85.0	
3582	97	179	00:59:03.466		DMS:	:*RUNDOWN	R7, TRACK 3, FWD, TIC 5808.50 +/- 4	2R5	4	1	4,018,531:89.0	
3583	97	179	00:59:03.466	50ZZ6RE	6DMSC	RDY,0	DMS Control Tape stop	2R5	4	1	4,018,531:90.8	
3584	97	179	00:59:20.800		DMS:	:*READY	RDY, TRACK 3, FWD, TIC 5808.56 +/- 4	2R5	4	1	4,018,531:90.8	
3585	97	179	00:59:20.800	117HI105A106A4M	7STRP	-0.050042,0.0,0.0,	Slew = 0.31	2R5	4	1	4,018,532:24.0	
3586	97	179	01:02:05.466	117HI105A106A4N	7STRP	0.04954,0.0013,0	Slew =12.01	2R5	4	1	4,018,534:89.0	
3587	97	179	01:02:25.466	117HI105A106A4O	7STRP	-0.050042,0.0,0.0,	Slew = 0.31	2R5	4	1	4,018,535:28.0	
3588	97	179	01:05:10.133	117HI105A106A4P	7STRP	0.04954,0.0013,0	Slew =12.01	2R5	4	1	4,018,538:02.0	
3589	97	179	01:05:30.133	117HI105A106A4Q	7STRP	-0.050042,0.0,0.0,	Slew =,-0.31	2R5	4	1	4,018,538:32.0	
3590	97	179	01:08:14.799	C9JNFEA05703-		-----START-----		2R5	4	1	:	
3591	97	179	01:08:14.800	117HI11A	CSMOS	GE	***** GROUP END CSMOS	2R5	4	1	4,018,541:06.0	
3592	97	179	01:08:14.800	176HI6B	6TMREC	NRC	NO RECORD Record Mode Change	2R5	4	1	4,018,541:06.0	
3593	97	179	01:08:16.800	50ZZ6XX	6DMSC	R7,0	DMS Control Tape runup 7.68kps	2R5	4	1	4,018,541:09.0	
3594	97	179	01:08:16.800		DMS:	:*E4-DELAY	RDY, TRACK *1, FWD, TIC 5808.56 +/- 4	2R5	4	1	4,018,541:09.0	
3595	97	179	01:08:23.466		DMS:	:*RUNUP	R7, TRACK *3, FWD, TIC 5808.56 +/- 4	2R5	4	1	4,018,541:19.0	
3596	97	179	01:08:24.866		DMS:	:*AT SPD	R7, TRACK 3, FWD, TIC 5808.68 +/- 4	2R5	4	1	4,018,541:21.1	
3597	97	179	01:08:26.800		DMS:	:*RECORD	R7, TRACK 3, FWD, TIC 5809.13 +/- 4	2R5	4	1	4,018,541:24.0	
3598	97	179	01:08:42.800	50ZZ6RD	6DMSC	RDY,0	DMS Control Tape stop	2R5	4	1	4,018,541:48.0	
3599	97	179	01:08:42.800		DMS:	:*RUNDOWN	R7, TRACK 3, FWD, TIC 5812.88 +/- 4	2R5	4	1	4,018,541:48.0	
3600	97	179	01:08:44.000		DMS:	:*READY	RDY, TRACK 3, FWD, TIC 5812.94 +/- 4	2R5	4	1	4,018,541:49.8	
3601	97	179	01:09:10.800	165FG4A	7SCAN	NORM,14.449,7.93	Check S/P Position	2R5	4	1	4,018,541:90.0	
3602	97	179	01:13:02.800		DMS:	:*E4-DELAY	RDY, TRACK *1, FWD, TIC 5812.94 +/- 4	2R5	4	1	4,018,545:74.0	
3603	97	179	01:13:02.800	175FG422A6A	6DMSC	R7,3	DMS Control	2R5	4	1	4,018,545:74.0	
3604	97	179	01:13:04.800	117FG	CSMOS	GS	***** GROUP START CSMOS	2R5	4	1	4,018,545:77.0	
3605	97	179	01:13:09.466		DMS:	:*RUNUP	R7, TRACK *3, FWD, TIC 5812.94 +/- 4	2R5	4	1	4,018,545:84.0	
3606	97	179	01:13:10.800	175FG176A6A	6TMREC	LPU	7.68 KBPS NIMS-UVS-PPR RECORD Record Mode	2R5	4	1	4,018,545:86.0	
3607	97	179	01:13:10.866		DMS:	:*RECORD	R7, TRACK 3, FWD, TIC 5813.06 +/- 4	2R5	4	1	4,018,545:86.1	
3608	97	179	01:13:10.866		DMS:	:*AT SPD	R7, TRACK 3, FWD, TIC 5813.06 +/- 4	2R5	4	1	4,018,545:86.1	
3609	97	179	01:13:14.133	117FG105A106A4A	7STRP	0.021904,0.0,0.0	Slew =,-0.11	2R5	4	1	4,018,546:00.0	
3610	97	179	01:13:14.133	C9JNFEA05703-	NIMPBK	301EK	JUPITER FTR TRK 57 DEGREES PHASE	2R5	4	1	:	
3611	97	179	01:16:34.133	117FG11A	CSMOS	GE	***** GROUP END CSMOS	2R5	4	1	4,018,549:27.0	
3612	97	179	01:16:34.133	C9JNFEA05703-	DESEL	300EK	JUPITER FTR TRK 57 DEGREES PHASE	2R5	4	1	:	
3613	97	179	01:16:36.133		DMS:	:*RUNDOWN	R7, TRACK 3, FWD, TIC 5861.17 +/- 4	2R5	4	1	4,018,549:30.0	
3614	97	179	01:16:36.133	175FG422A6B	6DMSC	RDY,0	DMS Control Tape stop	2R5	4	1	4,018,549:30.0	
3615	97	179	01:16:36.133	175FG6A	6TMREC	NRC	NO RECORD Record Mode Change	2R5	4	1	4,018,549:30.0	
3616	97	179	01:16:37.333		DMS:	:*READY	RDY, TRACK 3, FWD, TIC 5861.23 +/- 4	2R5	4	1	4,018,549:31.8	
3617	97	179	01:17:20.799	C9JNFEA05703-		-----STOP-----		2R5	4	1	:	
3618	97	179	01:21:12.800	465KG6A	6DTRN	CMD,6DTRN,465KG6	DMS TRACK TURNAROUND	2R5	4	1	4,018,553:81.0	
3619	97	179	01:21:12.800		DMS:	:*E4-DELAY	RDY, TRACK *1, FWD, TIC 5861.23 +/- 4	2R5	4	1	4,018,553:81.0	
3620	97	179	01:21:12.800		DMS:	:*DMS-TURN	P7, TRACK 3, FWD, TIC 5861.23 +/- 4	2R5	4	1	4,018,553:81.0	
3621	97	179	01:21:19.466		DMS:	:*RUNUP	P7, TRACK *3, FWD, TIC 5861.23 +/- 4	2R5	4	1	4,018,554:00.0	
3622	97	179	01:21:20.866		DMS:	:*AT SPD	P7, TRACK 3, FWD, TIC 5861.35 +/- 4	2R5	4	1	4,018,554:02.1	
3623	97	179	01:33:10.266		DMS:	:*REVERSE	P7, TRACK 3, FWD, TIC 6027.63 +/- 4	2R5	4	1	4,018,565:65.2	
3624	97	179	01:33:11.466		DMS:	:*RUNUP	P7, TRACK 4, REV, TIC 6027.69 +/- 4	2R5	4	1	4,018,565:67.0	
3625	97	179	01:33:11.466		DMS:	:*TURNARND	P7, TRACK *4, REV, TIC 6027.69 +/- 4	2R5	4	1	4,018,565:67.0	
3626	97	179	01:33:12.866		DMS:	:*AT SPD	P7, TRACK 4, REV, TIC 6027.57 +/-	2R5	4	1	4,018,565:69.1	
3627	97	179	01:33:24.866		DMS:	:*AUTOSTOP	P7, TRACK 4, REV, TIC 6025.44 +/-	2R5	4	1	4,018,565:87.1	
3628	97	179	01:33:26.066		DMS:	:*READY	RDY, TRACK 4, REV, TIC 6025.38 +/-	2R5	4	1	4,018,565:88.9	

Line	YR	DOY	SCET - GMT	PSID	Command	Parameters	Description	GCM	GO	GS	RIM	MFI
3629	97	179	01:57:47.466	C9JNFEA05704-		-----START-----		2R5	4	1	:	:
3630	97	179	02:00:44.800	165FH4A	7SCAN	NORM,14.954,8.24	Check S/P Position	2R5	4	1	4,018,592:90:0	
3631	97	179	02:01:34.133	175FH422A6A	6DMSC	R7,0	DMS Control Tape runup 7.68kps	2R5	4	1	4,018,593:73:0	
3632	97	179	02:01:34.133		DMS:	:*US-RUNUP	P7, TRACK *1, *FWD, TIC 6025.38 +/-	2R5	4	1	4,018,593:73:0	
3633	97	179	02:01:35.533		DMS:	:*US_AT_SP	P7, TRACK 1, FWD, TIC *6025.50 +/-	2R5	4	1	4,018,593:75:1	
3634	97	179	02:01:36.800	117FH	CSMOS	GS	***** GROUP START CSMOS	2R5	4	1	4,018,593:77:0	
3635	97	179	02:01:40.800		DMS:	:*US_RD	P7, TRACK 1, FWD, TIC *6026.73 +/-	2R5	4	1	4,018,593:83:0	
3636	97	179	02:01:42.000		DMS:	:*RUNUP	R7, TRACK *4, *REV, TIC *6026.79 +/-	2R5	4	1	4,018,593:84:8	
3637	97	179	02:01:42.800	175FH176A6A	6TMREC	LPU	7.68 KBPS NIMS-UVS-PPR RECORD Record Mode	2R5	4	1	4,018,593:86:0	
3638	97	179	02:01:43.400		DMS:	:*RECORD	R7, TRACK 4, REV, TIC *6026.67 +/-	2R5	4	1	4,018,593:86:9	
3639	97	179	02:01:43.400		DMS:	:*AT_SPD	R7, TRACK 4, REV, TIC 6026.67 +/-	2R5	4	1	4,018,593:86:9	
3640	97	179	02:01:46.133	117FH105A106A4A	7STRP	0.021904,0.0,0.0	Slew = 0.11	2R5	4	1	4,018,594:00:0	
3641	97	179	02:02:42.800	C9JNFEA05704-	NIMPBK	301EL	JUPITER FTR TRK 57 DEGREES PHASE	2R5	4	1	:	:
3642	97	179	02:05:06.133	C9JNFEA05704-	DESEL	300EL	JUPITER FTR TRK 57 DEGREES PHASE	2R5	4	1	:	:
3643	97	179	02:05:06.133	117FH11A	CSMOS	GE	***** GROUP END CSMOS	2R5	4	1	4,018,597:27:0	
3644	97	179	02:05:18.133	175FH6A	6TMREC	NRC	NO RECORD Record Mode Change	2R5	4	1	4,018,597:45:0	
3645	97	179	02:05:18.133	175FH422A6B	6DMSC	RDY,0	DMS Control Tape stop	2R5	4	1	4,018,597:45:0	
3646	97	179	02:05:18.133		DMS:	:*RUNDOWN	R7, TRACK 4, REV, TIC *5976.34 +/-	2R5	4	1	4,018,597:45:0	
3647	97	179	02:05:19.333		DMS:	:*READY	RDY, TRACK 4, REV, TIC *5976.28 +/-	2R5	4	1	4,018,597:46:8	
3648	97	179	02:06:15.466	C9JNFEA05704-		-----STOP-----		2R5	4	1	:	:
3649	97	179	02:06:48.800	165HJ4A	7SCAN	NORM,31.18,14.4,43	Check S/P Position	2R5	4	1	4,018,598:90:0	
3650	97	179	02:06:42.800	117HJ	CSMOS	GS	***** GROUP START CSMOS	2R5	4	1	4,018,602:77:0	
3651	97	179	02:10:52.133	117HJ105A106A4A	7STRP	0.0075,0.0,0.0,0.0	Slew = 0.04	2R5	4	1	4,018,603:00:0	
3652	97	179	02:10:52.133	176HJ6A	6TMREC	BPT	7.68 KBPS PPR BURST TO TAPE Record Mode C	2R5	4	1	4,018,603:00:0	
3653	97	179	02:14:00.800	117HJ105A106A4B	7STRP	-0.0067,0.0013,0	Slew = -3.41	2R5	4	1	4,018,606:10:0	
3654	97	179	02:14:06.133	117HJ105A106A4C	7STRP	0.0075,0.0,0.0,0.0	Slew = 0.04	2R5	4	1	4,018,606:18:0	
3655	97	179	02:17:14.800	117HJ105A106A4D	7STRP	-0.0067,0.0013,0	Slew = -3.41	2R5	4	1	4,018,609:28:0	
3656	97	179	02:17:20.133	117HJ105A106A4E	7STRP	0.0075,0.0,0.0,0.0	Slew = 0.04	2R5	4	1	4,018,609:36:0	
3657	97	179	02:20:28.800	117HJ105A106A4F	7STRP	-0.0067,0.0013,0	Slew = -3.41	2R5	4	1	4,018,612:46:0	
3658	97	179	02:20:34.133	117HJ105A106A4G	7STRP	0.0075,0.0,0.0,0.0	Slew = 0.04	2R5	4	1	4,018,612:54:0	
3659	97	179	02:23:42.800	117HJ105A106A4H	7STRP	-0.0067,0.0013,0	Slew = -3.41	2R5	4	1	4,018,615:64:0	
3660	97	179	02:23:48.133	117HJ105A106A4I	7STRP	0.0075,0.0,0.0,0.0	Slew = 0.04	2R5	4	1	4,018,615:72:0	
3661	97	179	02:26:56.800	117HJ11A	CSMOS	GE	***** GROUP END CSMOS	2R5	4	1	4,018,618:82:0	
3662	97	179	02:27:02.800	176HJ6B	6TMREC	NRC	NO RECORD Record Mode Change	2R5	4	1	4,018,619:00:0	
3663	97	179	02:27:04.800	50ZZ6XX	6DMSC	R7,0	DMS Control Tape runup 7.68kps	2R5	4	1	4,018,619:03:0	
3664	97	179	02:27:04.800		DMS:	:*US-RUNUP	P7, TRACK *1, *FWD, TIC 5976.28 +/-	2R5	4	1	4,018,619:03:0	
3665	97	179	02:27:06.200		DMS:	:*US_AT_SP	P7, TRACK 1, FWD, TIC *5976.40 +/-	2R5	4	1	4,018,619:05:1	
3666	97	179	02:27:11.466		DMS:	:*US_RD	P7, TRACK 1, FWD, TIC *5977.64 +/-	2R5	4	1	4,018,619:13:0	
3667	97	179	02:27:12.666		DMS:	:*RUNUP	R7, TRACK *4, *REV, TIC *5977.70 +/-	2R5	4	1	4,018,619:14:8	
3668	97	179	02:27:14.066		DMS:	:*AT_SPD	R7, TRACK 4, REV, TIC *5977.58 +/-	2R5	4	1	4,018,619:16:9	
3669	97	179	02:27:14.800		DMS:	:*RECORD	R7, TRACK 4, REV, TIC *5977.41 +/-	2R5	4	1	4,018,619:18:0	
3670	97	179	02:27:35.466	50ZZ6RE	6DMSC	RDY,0	DMS Control Tape stop	2R5	4	1	4,018,619:49:0	
3671	97	179	02:27:35.466		DMS:	:*RUNDOWN	R7, TRACK 4, REV, TIC *5972.56 +/-	2R5	4	1	4,018,619:49:0	
3672	97	179	02:27:36.666		DMS:	:*READY	RDY, TRACK 4, REV, TIC *5972.50 +/-	2R5	4	1	4,018,619:50:8	
3673	97	179	02:28:07.466	C9INHRSPEC01-		-----START-----		2R5	4	1	:	:
3674	97	179	02:29:03.466	165FI4A	7SCAN	NORM,30.948,14.1	Check S/P Position	2R5	4	1	4,018,620:90:0	
3675	97	179	02:31:00.800	127FI4A	37IOP	3,0	Long Map, Grating Start Position = 00	2R3	4	0	4,018,622:84:0	
3676	97	179	02:31:00.800	127FI	NIMSTAB	GS	%%%% GROUP START TAB	2R3	4	0	4,018,622:84:0	
3677	97	179	02:31:01.466	127FI4B	37ETB	04,C4,35,FF,FF	Loads wavelength edit table	2R3	4	0	4,018,622:85:0	
3678	97	179	02:31:09.466	127FI11A	NIMSTAB	GE	%%%% GROUP END TAB	2R3	4	0	4,018,623:06:0	
3679	97	179	02:31:51.466		DMS:	:*US-RUNUP	P7, TRACK *1, *FWD, TIC 5972.50 +/-	2R3	4	0	4,018,623:69:0	
3680	97	179	02:31:51.466	175FI422A6A	6DMSC	R28,0	DMS Control Tape runup 28.8kbp	2R3	4	0	4,018,623:69:0	
3681	97	179	02:31:52.866		DMS:	:*US_AT_SP	P7, TRACK 1, FWD, TIC *5972.62 +/-	2R3	4	0	4,018,623:71:1	
3682	97	179	02:31:56.800	117FI	CSMOS	GS	***** GROUP START CSMOS	2R3	4	0	4,018,623:77:0	
3683	97	179	02:31:58.133		DMS:	:*US_RD	P7, TRACK 1, FWD, TIC *5973.86 +/-	2R3	4	0	4,018,623:79:0	

Line	YR	DOY	SCET - GMT	PSID	Command	Parameters	Description	GCM	GO	GS	RIM	MFI
3684	97	179	02:31:59.333		DMS:	:*RUNUP	R28, TRACK *4, *REV, TIC *5973.92 +/-	2R3	4	0	4,018,623:80:8	
3685	97	179	02:32:02.800	175F1176A6A	6TMREC	MPW	28.8 KBPS PWS + NIMS RECORD Record Mode C	2R3	4	0	4,018,623:86:0	
3686	97	179	02:32:03.333		DMS:	:*AT_SPD	R28, TRACK 4, REV, TIC 5972.42 +/-	2R3	4	0	4,018,623:86:8	
3687	97	179	02:32:03.333		DMS:	:*RECORD	R28, TRACK 4, REV, TIC *5972.42 +/-	2R3	4	0	4,018,623:86:8	
3688	97	179	02:32:06.133	117F1105A106A4A	7STRP	0.00450:0.0:0.0	Slew = -0.03	2R3	4	0	4,018,624:00:0	
3689	97	179	02:32:06.133	C9INHRSPEC01-	NIMPBK	301EM	HIGH SPATIAL AND SPECTRAL OBS. O	2R3	4	0	:	:
3690	97	179	02:34:37.466	C9INHRSPEC01-	DESEL	301EM	HIGH SPATIAL AND SPECTRAL OBS. O	2R3	4	0	:	:
3691	97	179	02:34:37.466	117F111A	CSMOS	GE	***** GROUP END CSMOS	2R3	4	0	4,018,626:45:0	
3692	97	179	02:34:38.133	175F1422A6B	6DMSC	RDY,0	DMS Control Tape stop	2R3	4	0	4,018,626:46:0	
3693	97	179	02:34:38.133		DMS:	:*RUNDOWN	R28, TRACK 4, REV, TIC *5836.36 +/-	2R3	4	0	4,018,626:46:0	
3694	97	179	02:34:39.333		DMS:	:*READY	RDY, TRACK 4, REV, TIC *5836.06 +/-	2R3	4	0	4,018,626:47:8	
3695	97	179	02:35:07.466	165JL4A	7SCAN	NORM,30.717,14.1	Check S/P Position	2R3	4	0	4,018,626:90:0	
3696	97	179	02:35:12.132	C9INHRSPEC01-	*****STOP	*****		2R3	4	0	:	:
3697	97	179	02:39:51.466		DMS:	:*US-RUNUP	P7, TRACK *1, *FWD, TIC 5836.06 +/-	2R3	4	0	4,018,631:61:0	
3698	97	179	02:39:51.466	175JK422A6A	6DMSC	R806:0	DMS Control Tape runup 806.4kb	2R3	4	0	4,018,631:61:0	
3699	97	179	02:39:52.800	165JL4B	7VECT		Inert vect update UTC	2R3	4	0	4,018,631:63:0	
3700	97	179	02:39:52.866		DMS:	:*US_AT_SP	P7, TRACK 1, FWD, TIC *5836.18 +/-	2R3	4	0	4,018,631:63:0	
3701	97	179	02:39:58.133		DMS:	:*US_RD	P7, TRACK 1, FWD, TIC *5837.42 +/-	2R3	4	0	4,018,631:71:0	
3702	97	179	02:39:59.333		DMS:	:*RUNUP	R806, TRACK *4, *REV, TIC *5837.48 +/-	2R3	4	0	4,018,631:72:8	
3703	97	179	02:40:04.133	175JK176A6A	6TMREC	IM8	806.4 KBPS IMAGE RECORD Record Mode Chang	2R3	4	0	4,018,631:80:0	
3704	97	179	02:40:04.600		DMS:	:*RECORD	R806, TRACK 4, REV, TIC *5771.48 +/-	2R3	4	0	4,018,631:80:7	
3705	97	179	02:40:04.600		DMS:	:*AT_SPD	R806, TRACK 4, REV, TIC 5771.48 +/-	2R3	4	0	4,018,631:80:7	
3706	97	179	02:40:11.466	176IC6A	6TMREC	A18	806.4 KBPS SSI RECORD Record Mode Change	2R3	4	0	4,018,632:00:0	
3707	97	179	02:40:18.800	175JK422A6B	6DMSC	RDY,0	DMS Control Tape stop	2R3	4	0	4,018,632:11:0	
3708	97	179	02:40:18.800		DMS:	:*RUNDOWN	R806, TRACK 4, REV, TIC *5422.02 +/-	2R3	4	0	4,018,632:11:0	
3709	97	179	02:40:21.533		DMS:	:*READY	RDY, TRACK 4, REV, TIC *5410.52 +/-	2R3	4	0	4,018,632:15:1	
3710	97	179	02:41:16.132	C9INNSPEC 01-	*****START	*****		2R3	4	0	:	:
3711	97	179	02:42:12.133	165FJ4A	7SCAN	NORM,30.568,14.0	Check S/P Position	2R3	4	0	4,018,633:90:0	
3712	97	179	02:43:08.800	125FJ4A	371ST	1,2,0,OFF,0,1,1	Chopper ON, Sync, Chopper (Ref)Gain State	4R3	4	0	4,018,634:84:0	
3713	97	179	02:43:08.800	125FJ	NIMSINIT	GE	##### GROUP START INIT	4R3	4	0	4,018,634:84:0	
3714	97	179	02:43:08.800	125FJ11A	NIMSINIT	GS	##### GROUP END INIT	4R3	4	0	4,018,634:84:0	
3715	97	179	02:45:00.133	175FJ422A6A	6DMSC	R28:0	DMS Control Tape runup 28.8kb	4R3	4	0	4,018,636:69:0	
3716	97	179	02:45:00.133		DMS:	:*US-RUNUP	P7, TRACK *1, *FWD, TIC 5410.52 +/-	4R3	4	0	4,018,636:69:0	
3717	97	179	02:45:01.533		DMS:	:*US_AT_SP	P7, TRACK 1, FWD, TIC *5410.64 +/-	4R3	4	0	4,018,636:71:1	
3718	97	179	02:45:05.466	117FJ	CSMOS	GS	***** GROUP START CSMOS	4R3	4	0	4,018,636:77:0	
3719	97	179	02:45:06.800		DMS:	:*US_RD	P7, TRACK 1, FWD, TIC *5411.88 +/-	4R3	4	0	4,018,636:79:0	
3720	97	179	02:45:08.000		DMS:	:*RUNUP	R28, TRACK *4, *REV, TIC *5411.94 +/-	4R3	4	0	4,018,636:80:8	
3721	97	179	02:45:11.466	175FJ176A6A	6TMREC	MPW	28.8 KBPS PWS + NIMS RECORD Record Mode C	4R3	4	0	4,018,636:86:0	
3722	97	179	02:45:12.000		DMS:	:*RECORD	R28, TRACK 4, REV, TIC *5410.44 +/-	4R3	4	0	4,018,636:86:8	
3723	97	179	02:45:12.000		DMS:	:*AT_SPD	R28, TRACK 4, REV, TIC 5410.44 +/-	4R3	4	0	4,018,636:86:8	
3724	97	179	02:45:14.800	117FJ105A106A4A	7STRP	0.0036:0.0:0.0	Slew = -0.03	4R3	4	0	4,018,637:00:0	
3725	97	179	02:45:14.800	C9INNSPEC 01-	NIMPBK	301EN	NIGHTSIDE SPECTRA AT HIGH RESOLU	4R3	4	0	:	:
3726	97	179	02:47:16.133	117FJ11A	CSMOS	GE	***** GROUP END CSMOS	4R3	4	0	4,018,639:00:0	
3727	97	179	02:47:16.133	C9INNSPEC 01-	DESEL	300EN	NIGHTSIDE SPECTRA AT HIGH RESOLU	4R3	4	0	:	:
3728	97	179	02:47:19.466	175FJ422A6B	6DMSC	RDY,0	DMS Control Tape stop	4R3	4	0	4,018,639:05:0	
3729	97	179	02:47:19.466		DMS:	:*RUNDOWN	R28, TRACK 4, REV, TIC *5298.41 +/-	4R3	4	0	4,018,639:05:0	
3730	97	179	02:47:20.132	C9INNSPEC 01-	*****STOP	*****		4R3	4	0	:	:
3731	97	179	02:47:20.666		DMS:	:*READY	RDY, TRACK 4, REV, TIC *5298.11 +/-	4R3	4	0	4,018,639:06:8	
3732	97	179	02:48:16.133	165BH4A	7SCAN	NORM,46.833,20.6	Check S/P Position	4R3	4	0	4,018,639:90:0	
3733	97	179	03:46:59.466	C9JNWINDOW02-	*****STOP	*****		4R3	4	0	:	:
3734	97	179	04:28:26.799	C9NNRELOAD08-	*****START	*****		4R3	4	0	:	:
3735	97	179	04:29:27.466	20E16A	6CKSUM	NIMS	NIMS,1000,14BC	4R3	4	0	4,018,740:06:0	
3736	97	179	04:30:28.133	20E15A	37PL		Program Load (halts microprocessor & unwri	4R3	4	0	4,018,741:06:0	
3737	97	179	04:31:28.800	20E15B	37MRL		Memory Realocate (software operates from R	4R3	4	0	4,018,742:06:0	
3738	97	179	04:32:29.466	20E16B	6MCPY	NIMS	NIMS,1000,LLM1A,7300,77F7	4R3	4	0	4,018,743:06:0	

Line	YR	DOY	SCET - GMT	PSID	Command	Parameters	Description	GCM	GO	GS	RIM	MFI
3739	97	179	04:33:30.133	20E16C	6MCPY	NIMS	NIMS,1598,LLM1A,77F8,781D	4R3	4	0	4,018,744:06:0	
3740	97	179	04:34:30.800	20E15C	37IRT		Instrument Reset (goes into POR state)	260	4	0	4,018,745:06:0	
3741	97	179	04:35:31.466	20E15D	37MN		Memory Normal (software operates from ROM)	260	4	0	4,018,746:06:0	
3742	97	179	04:36:32.066	20E14A	371ST	1,2,0,OFF,0,0,0	Chopper ON, Sync, Chopper (Ref)	2R0	4	0	4,018,747:06:0	
3743	97	179	04:37:32.733	20E14B	371OP	3,0	Long Map, Grating Start Position =00	2R3	4	0	4,018,748:06:0	
3744	97	179	04:38:33.466	C9NNRELOAD08-		-----STOP-----		2R3	4	0	:	:
3745	97	179	04:39:34.132	C9JNGRS07501-		-----START-----		2R3	4	0	:	:
3746	97	179	04:40:26.733	165FK4A	7SCAN	NORM,26.318,11.0	Check S/P Position	2R3	4	0	4,018,750:85:0	
3747	97	179	04:42:27.400	127FK4A	371OP	5,1	Short Map, Grating Start Position =01	2R5	4	1	4,018,752:84:0	
3748	97	179	04:42:27.400	127FK	NIMSTAB	GS	%%%% GROUP START TAB	2R5	4	1	4,018,752:84:0	
3749	97	179	04:42:28.066	127FK4B	37ETB	00,05,FF,F8,05,	Loads wavelength edit table	2R5	4	1	4,018,752:85:0	
3750	97	179	04:42:36.066	127FK11A	NIMSTAB	GE	%%%% GROUP END TAB	2R5	4	1	4,018,753:06:0	
3751	97	179	04:43:20.733	175FK422A6A	6DMSC	R7,0	DMS Control Tape runup 7.68kps	2R5	4	1	4,018,753:73:0	
3752	97	179	04:43:20.733		DMS:	:*US-RUNUP	P7, TRACK *1, *FWD, TIC *5298.11 +/-	2R5	4	1	4,018,753:73:0	
3753	97	179	04:43:22.133		DMS:	:*US_AT_SP	P7, TRACK 1, FWD, TIC *5298.23 +/-	2R5	4	1	4,018,753:75:1	
3754	97	179	04:43:23.400	117FK	CSMOS	GS	***** GROUP START CSMOS	2R5	4	1	4,018,753:77:0	
3755	97	179	04:43:27.400		DMS:	:*US_RD	P7, TRACK 1, FWD, TIC *5299.46 +/-	2R5	4	1	4,018,753:83:0	
3756	97	179	04:43:28.600		DMS:	:*RUNUP	R7, TRACK *4, *REV, TIC *5299.52 +/-	2R5	4	1	4,018,753:84:8	
3757	97	179	04:43:29.400	175FK176A6A	6TMREC	LPU	7.68 KBPS NIMS-UVS-PPR RECORD Record Mode	2R5	4	1	4,018,753:86:0	
3758	97	179	04:43:30.000		DMS:	:*RECORD	R7, TRACK 4, REV, TIC *5299.40 +/-	2R5	4	1	4,018,753:86:9	
3759	97	179	04:43:30.000		DMS:	:*AT_SPD	R7, TRACK 4, REV, TIC *5299.40 +/-	2R5	4	1	4,018,753:86:9	
3760	97	179	04:43:32.733	C9JNGRS07501-		301EO	JUPITER GREAT RED SPOT 75 DEGREE	2R5	4	1	:	:
3761	97	179	04:43:32.733	117FK105A106A4A	7STRP	0.021703,0.0,0.0	Slew =,0.11	2R5	4	1	4,018,754:00:0	
3762	97	179	04:46:52.733	C9JNGRS07501-	DESEL	300EO	JUPITER GREAT RED SPOT 75 DEGREE	2R5	4	1	:	:
3763	97	179	04:46:52.733	117FK11A	CSMOS	GE	***** GROUP END CSMOS	2R5	4	1	4,018,757:27:0	
3764	97	179	04:46:54.733	175FK6A	6TMREC	NRC	NO RECORD Record Mode Change	2R5	4	1	4,018,757:30:0	
3765	97	179	04:46:54.733		DMS:	:*RUNDOWN	R7, TRACK 4, REV, TIC *5251.42 +/-	2R5	4	1	4,018,757:30:0	
3766	97	179	04:46:54.733	175FK422A6B	6DMSC	RDY,0	DMS Control Tape stop	2R5	4	1	4,018,757:30:0	
3767	97	179	04:46:55.933		DMS:	:*READY	RDY, TRACK 4, REV, TIC *5251.36 +/-	2R5	4	1	4,018,757:31:8	
3768	97	179	04:47:34.733	165JN4A	7SCAN	NORM,27.999,13.0	Check S/P Position	2R5	4	1	4,018,757:90:0	
3769	97	179	04:47:39.466	C9JNGRS07501-		-----STOP-----		2R5	4	1	:	:
3770	97	179	04:52:28.066		DMS:	:*US-RUNUP	P7, TRACK *1, *FWD, TIC 5251.36 +/-	2R5	4	1	4,018,762:75:0	
3771	97	179	04:52:28.066	175JL422A6A	6DMSC	R806,0	DMS Control Tape runup 806.4kb	2R5	4	1	4,018,762:75:0	
3772	97	179	04:52:29.466		DMS:	:*US_AT_SP	P7, TRACK 1, FWD, TIC *5251.48 +/-	2R5	4	1	4,018,762:77:1	
3773	97	179	04:52:34.733		DMS:	:*US_RD	P7, TRACK 1, FWD, TIC *5252.71 +/-	2R5	4	1	4,018,762:85:0	
3774	97	179	04:52:35.933		DMS:	:*RUNUP	R806, TRACK *4, *REV, TIC *5252.77 +/-	2R5	4	1	4,018,762:86:8	
3775	97	179	04:52:37.400	165JN4B	7VECT		Inert vect update UTC	2R5	4	1	4,018,762:89:0	
3776	97	179	04:52:40.733	175JL176A6A	6TMREC	A18	806.4 KBPS SSI RECORD Record Mode Change	2R5	4	1	4,018,763:03:0	
3777	97	179	04:52:41.200		DMS:	:*AT_SPD	R806, TRACK 4, REV, TIC 5186.77 +/- 1	2R5	4	1	4,018,763:03:7	
3778	97	179	04:52:41.200		DMS:	:*RECORD	R806, TRACK 4, REV, TIC *5186.77 +/-	2R5	4	1	4,018,763:03:7	
3779	97	179	04:52:43.400	175JL422A6B	6DMSC	RDY,0	DMS Control Tape stop	2R5	4	1	4,018,763:07:0	
3780	97	179	04:52:43.400		DMS:	:*RUNDOWN	R806, TRACK 4, REV, TIC *5132.63 +/- 1	2R5	4	1	4,018,763:07:0	
3781	97	179	04:52:46.133		DMS:	:*READY	RDY, TRACK 4, REV, TIC *5121.13 +/- 1	2R5	4	1	4,018,763:11:1	
3782	97	179	04:53:38.733	165BI4A	7SCAN	NORM,46.833,20.6	Check S/P Position	2R5	4	1	4,018,763:90:0	
3783	97	179	05:34:10.132	C9JNGRS07502-		-----START-----		2R5	4	1	:	:
3784	97	179	05:35:02.733	165FL4A	7SCAN	NORM,27.484,11.4	Check S/P Position	2R5	4	1	4,018,804:85:0	
3785	97	179	05:37:56.733	175FL422A6A	6DMSC	R7,0	DMS Control Tape runup 7.68kps	2R5	4	1	4,018,807:73:0	
3786	97	179	05:37:56.733		DMS:	:*US-RUNUP	P7, TRACK *1, *FWD, TIC 5121.13 +/- 1	2R5	4	1	4,018,807:73:0	
3787	97	179	05:37:58.133		DMS:	:*US_AT_SP	P7, TRACK 1, FWD, TIC *5121.25 +/- 1	2R5	4	1	4,018,807:75:1	
3788	97	179	05:37:59.400	117FL	CSMOS	GS	***** GROUP START CSMOS	2R5	4	1	4,018,807:77:0	
3789	97	179	05:38:03.400		DMS:	:*US_RD	P7, TRACK 1, FWD, TIC *5122.48 +/- 1	2R5	4	1	4,018,807:83:0	
3790	97	179	05:38:04.600		DMS:	:*RUNUP	R7, TRACK *4, *REV, TIC *5122.54 +/- 1	2R5	4	1	4,018,807:84:8	
3791	97	179	05:38:05.400	175FL176A6A	6TMREC	LPU	7.68 KBPS NIMS-UVS-PPR RECORD Record Mode	2R5	4	1	4,018,807:86:0	
3792	97	179	05:38:06.000		DMS:	:*AT_SPD	R7, TRACK 4, REV, TIC 5122.42 +/- 1	2R5	4	1	4,018,807:86:9	
3793	97	179	05:38:06.000		DMS:	:*RECORD	R7, TRACK 4, REV, TIC *5122.42 +/- 1	2R5	4	1	4,018,807:86:9	

Line	YR	DOY	SCET - GMT	PSID	Command	Parameters	Description	GCM	GO	GS	RIM	MFI
3794	97	179	05:38:08.733	C9JNGRS07502-	NIMPBK	301EP	JUPITER GREAT RED SPOT 75 DEGREE	2R5	4	1	:	:
3795	97	179	05:38:08.733	117FL105A106A4A	7STRP	0.041023,0.0,0.0	Slew = 0.21	2R5	4	1	:	4,018,808:00:0
3796	97	179	05:41:28.733	117FL11A	CSMOS	GE	***** GROUP END CSMOS	2R5	4	1	:	4,018,811:27:0
3797	97	179	05:41:28.733	C9JNGRS07502-	DESEL	300EP	JUPITER GREAT RED SPOT 75 DEGREE	2R5	4	1	:	:
3798	97	179	05:41:40.733	175FL6A	6TMREC	NRC	NO RECORD Record Mode Change	2R5	4	1	:	4,018,811:45:0
3799	97	179	05:41:40.733	175FL422A6B	6DMSC	RDY,0	DMS Control Tape stop	2R5	4	1	:	4,018,811:45:0
3800	97	179	05:41:40.733		DMS:	:*RUNDOWN	R7, TRACK 4, REV, TIC *5072.10 +/- 1	2R5	4	1	:	4,018,811:45:0
3801	97	179	05:41:41.933		DMS:	:*READY	RDY, TRACK 4, REV, TIC *5072.04 +/- 1	2R5	4	1	:	4,018,811:46:8
3802	97	179	05:42:10.733	165BJ4A	7SCAN	NORM,46.833,20.6	Check S/P Position	2R5	4	1	:	4,018,811:90:0
3803	97	179	05:42:15.466	C9JNGRS07502-	-----STOP-----			2R5	4	1	:	:
3804	97	179	05:43:03.400	488AA6A	6TMSED	NORM,FL4	Sci, Eng, and D/L Chan	2R5	4	1	:	4,018,812:78:0
3805	97	179	06:15:00.066	488AA6B	6TMSED	NORM,EL4	Sci, Eng, and D/L Chan	2R5	4	1	:	4,018,844:41:0
3806	97	179	06:15:03.400	488AA6C	6TMSED	NORM,EL5	Sci, Eng, and D/L Chan	2R5	4	1	:	4,018,844:46:0
3807	97	179	06:38:52.799	C9JNGRS07504-	-----START-----			2R5	4	1	:	:
3808	97	179	06:39:48.733	165FN4A	7SCAN	NORM,28.19,11.76	Check S/P Position	2R5	4	1	:	4,018,868:90:0
3809	97	179	06:42:39.400		DMS:	:*US-RUNUP	P7, TRACK *1, *FWD, TIC 5072.04 +/- 1	2R5	4	1	:	4,018,871:73:0
3810	97	179	06:42:39.400	175FN422A6A	6DMSC	R7.0	DMS Control Tape runup 7.68kps	2R5	4	1	:	4,018,871:73:0
3811	97	179	06:42:40.800		DMS:	:*US_AT_SP	P7, TRACK 1, FWD, TIC *5072.16 +/- 1	2R5	4	1	:	4,018,871:75:1
3812	97	179	06:42:42.066	117FN	CSMOS	GS	***** GROUP START CSMOS	2R5	4	1	:	4,018,871:77:0
3813	97	179	06:42:46.066		DMS:	:*US_RD	P7, TRACK 1, FWD, TIC *5073.39 +/- 1	2R5	4	1	:	4,018,871:83:0
3814	97	179	06:42:47.266		DMS:	:*RUNUP	R7, TRACK *4, *REV, TIC *5073.45 +/- 1	2R5	4	1	:	4,018,871:84:8
3815	97	179	06:42:48.066	175FN176A6A	6TMREC	LPU	7.68 KBPS NIMS-UVS-PPR RECORD Record Mode	2R5	4	1	:	4,018,871:86:0
3816	97	179	06:42:48.666		DMS:	:*AT_SPD	R7, TRACK 4, REV, TIC 5073.33 +/- 1	2R5	4	1	:	4,018,871:86:9
3817	97	179	06:42:48.666		DMS:	:*RECORD	R7, TRACK 4, REV, TIC *5073.33 +/- 1	2R5	4	1	:	4,018,871:86:9
3818	97	179	06:42:51.400	C9JNGRS07504-	NIMPBK	301EQ	JUPITER GREAT RED SPOT 75 DEGREE	2R5	4	1	:	:
3819	97	179	06:42:51.400	117FN105A106A4A	7STRP	0.021803,0.0,0.0	Slew = 0.11	2R5	4	1	:	4,018,872:00:0
3820	97	179	06:46:11.400	117FN11A	CSMOS	GE	***** GROUP END CSMOS	2R5	4	1	:	4,018,875:27:0
3821	97	179	06:46:11.400	C9JNGRS07504-	DESEL	300EQ	JUPITER GREAT RED SPOT 75 DEGREE	2R5	4	1	:	:
3822	97	179	06:46:23.400		DMS:	:*RUNDOWN	R7, TRACK 4, REV, TIC *5023.00 +/- 1	2R5	4	1	:	4,018,875:45:0
3823	97	179	06:46:23.400	175FN422A6B	6DMSC	RDY,0	DMS Control Tape stop	2R5	4	1	:	4,018,875:45:0
3824	97	179	06:46:23.400	175FN6A	6TMREC	NRC	NO RECORD Record Mode Change	2R5	4	1	:	4,018,875:45:0
3825	97	179	06:46:24.600		DMS:	:*READY	RDY, TRACK 4, REV, TIC *5022.94 +/- 1	2R5	4	1	:	4,018,875:46:8
3826	97	179	06:47:02.799	C9JNGRS07504-	-----STOP-----			2R5	4	1	:	:
3827	97	179	06:53:02.132	C9INCHEMIS04-	-----START-----			2R5	4	1	:	:
3828	97	179	06:53:58.066	165FO4A	7SCAN	NORM,25.127,11.9	Check S/P Position	2R5	4	1	:	4,018,882:90:0
3829	97	179	06:56:56.066	127FO4A	37IOP	3.0	Long Map, Grating Start Position =00	2R3	4	0	:	4,018,885:84:0
3830	97	179	06:56:56.066	127FO	NIMSTAB	GS	%%%%%%%% GROUP START TAB	2R3	4	0	:	4,018,885:84:0
3831	97	179	06:56:56.733	127FO4B	37ETB	07,C7,02,25,80,0	Loads wavelength edit table	2R3	4	0	:	4,018,885:85:0
3832	97	179	06:57:04.733	127FO11A	NIMSTAB	GE	%%%%%%%% GROUP END TAB	2R3	4	0	:	4,018,886:06:0
3833	97	179	06:57:49.400	175FO422A6A	6DMSC	R7.0	DMS Control Tape runup 7.68kps	2R3	4	0	:	4,018,886:73:0
3834	97	179	06:57:49.400		DMS:	:*US-RUNUP	P7, TRACK *1, *FWD, TIC 5022.94 +/- 1	2R3	4	0	:	4,018,886:73:0
3835	97	179	06:57:50.800		DMS:	:*US_AT_SP	P7, TRACK 1, FWD, TIC *5023.06 +/- 1	2R3	4	0	:	4,018,886:75:1
3836	97	179	06:57:52.066	117FO	CSMOS	GS	***** GROUP START CSMOS	2R3	4	0	:	4,018,886:77:0
3837	97	179	06:57:56.066		DMS:	:*US_RD	P7, TRACK 1, FWD, TIC *5024.30 +/- 1	2R3	4	0	:	4,018,886:83:0
3838	97	179	06:57:57.266		DMS:	:*RUNUP	R7, TRACK *4, *REV, TIC *5024.36 +/- 1	2R3	4	0	:	4,018,886:84:8
3839	97	179	06:57:58.066	175FO176A6A	6TMREC	LPU	7.68 KBPS NIMS-UVS-PPR RECORD Record Mode	2R3	4	0	:	4,018,886:86:0
3840	97	179	06:57:58.666		DMS:	:*AT_SPD	R7, TRACK 4, REV, TIC 5024.24 +/- 1	2R3	4	0	:	4,018,886:86:9
3841	97	179	06:57:58.666		DMS:	:*RECORD	R7, TRACK 4, REV, TIC *5024.24 +/- 1	2R3	4	0	:	4,018,886:86:9
3842	97	179	06:58:01.400	C9INCHEMIS04-	NIMPBK	301ER	MONITORING OF IO'S DAYSIDE	2R3	4	0	:	:
3843	97	179	06:58:01.400	117FO105A106A4A	7STRP	0.0043,0.0,0.0	Slew = 0.03	2R3	4	0	:	4,018,887:00:0
3844	97	179	07:00:27.400	117FO105A106A4B	7STRP	-0.0005,0.0,0.0	Slew = 12.01	2R3	4	0	:	4,018,889:37:0
3845	97	179	07:00:36.733	117FO105A106A4C	7STRP	0.0043,0.0,0.0	Slew = 0.03	2R3	4	0	:	4,018,889:51:0
3846	97	179	07:03:01.400	C9INCHEMIS04-	DESEL	300ER	MONITORING OF IO'S DAYSIDE	2R3	4	0	:	:
3847	97	179	07:03:02.733	117FO11A	CSMOS	GE	***** GROUP END CSMOS	2R3	4	0	:	4,018,891:88:0
3848	97	179	07:03:08.799	C9INCHEMIS04-	-----STOP-----			2R3	4	0	:	:

Line	YR	DOY	SCET - GMT	PSID	Command	Parameters	Description	GCM	GO	GS	RIM	MFI
3849	97	179	07:03:13.400	175F06A	6TMREC	NRC	NO RECORD Record Mode Change	2R3	4	0	4,018,892:13:0	
3850	97	179	07:03:13.400	175FO422A6B	6DMSC	RDY,0	DMS Control Tape stop	2R3	4	0	4,018,892:13:0	
3851	97	179	07:03:13.400		DMS:	: *RUNDOWN	R7, TRACK 4, REV, TIC *4950.47 +/- 1	2R3	4	0	4,018,892:13:0	
3852	97	179	07:03:14.600		DMS:	: *READY	RDY, TRACK 4, REV, TIC *4950.41 +/- 1	2R3	4	0	4,018,892:14:8	
3853	97	179	07:09:02.799	C9JNGRS53M01-		-----START-----		2R3	4	0	:	
3854	97	179	07:10:08.733	165FP4A	7SCAN	NORM,27.858,11.6	Check S/P Position	2R3	4	0	4,018,898:90:0	
3855	97	179	07:11:05.400	125FP	NIMSINIT	GS	##### GROUP START INIT	2R3	4	0	4,018,899:84:0	
3856	97	179	07:11:05.400	125FP11A	NIMSINIT	GE	##### GROUP END INIT	2R3	4	0	4,018,899:84:0	
3857	97	179	07:11:05.400	125FP4A	37IST	1,2,0,OFF,0,1,1	Chopper ON, Sync, Chopper (Ref)Gain State	4R3	4	0	4,018,899:84:0	
3858	97	179	07:12:06.066	127FP	NIMSTAB	GS	%%%% GROUP START TAB	4R3	4	0	4,018,900:84:0	
3859	97	179	07:12:06.733	127FP4A	37ETB		Loads wavelength edit table	4R3	4	0	4,018,900:85:0	
3860	97	179	07:12:14.733	127FP11A	NIMSTAB	GE	%%%% GROUP END TAB	4R3	4	0	4,018,901:06:0	
3861	97	179	07:12:59.400	175FP422A6A	6DMSC	R7,0	DMS Control Tape runup 7.68kps	4R3	4	0	4,018,901:73:0	
3862	97	179	07:12:59.400		DMS:	: *US-RUNUP	P7, TRACK *1, *FWD, TIC 4950.41 +/- 1	4R3	4	0	4,018,901:73:0	
3863	97	179	07:13:00.800		DMS:	: *US_AT_SP	P7, TRACK 1, FWD, TIC *4950.53 +/- 1	4R3	4	0	4,018,901:75:1	
3864	97	179	07:13:02.066	117FP	CSMOS	GS	***** GROUP START CSMOS	4R3	4	0	4,018,901:77:0	
3865	97	179	07:13:06.066		DMS:	: *US_RD	P7, TRACK 1, FWD, TIC *4951.77 +/- 1	4R3	4	0	4,018,901:83:0	
3866	97	179	07:13:07.266		DMS:	: *RUNUP	R7, TRACK *4, *REV, TIC *4951.83 +/- 1	4R3	4	0	4,018,901:84:8	
3867	97	179	07:13:08.066	175FP176A6A	6TMREC	LPU	7.68 KBPS NIMS-UVS-PPR RECORD Record Mode	4R3	4	0	4,018,901:86:0	
3868	97	179	07:13:08.666		DMS:	: *AT_SPD	R7, TRACK 4, REV, TIC 4951.71 +/- 1	4R3	4	0	4,018,901:86:9	
3869	97	179	07:13:08.666		DMS:	: *RECORD	R7, TRACK 4, REV, TIC *4951.71 +/- 1	4R3	4	0	4,018,901:86:9	
3870	97	179	07:13:11.400	C9JNGRS53M01-	NIMPBK	30IES	JUPITER GREAT RED SPOT 5 AND 3 M	4R3	4	0	:	
3871	97	179	07:13:11.400	117FP105A106A4A	7STRP	0.021803,0.0,0.0	Slew = -0.03	4R3	4	0	4,018,902:00:0	
3872	97	179	07:22:17.400	C9JNGRS53M01-	DESEL	300ES	JUPITER GREAT RED SPOT 5 AND 3 M	4R3	4	0	:	
3873	97	179	07:22:29.400	175FP6A	6TMREC	NRC	NO RECORD Record Mode Change	4R3	4	0	4,018,911:18:0	
3874	97	179	07:22:29.400	175FP422A6B	6DMSC	RDY,0	DMS Control Tape stop	4R3	4	0	4,018,911:18:0	
3875	97	179	07:22:29.400		DMS:	: *RUNDOWN	R7, TRACK 4, REV, TIC *4820.28 +/- 1	4R3	4	0	4,018,911:18:0	
3876	97	179	07:22:30.600		DMS:	: *READY	RDY, TRACK 4, REV, TIC *4820.22 +/- 1	4R3	4	0	4,018,911:19:8	
3877	97	179	07:25:19.400	117FP105A106A4B	7STRP	-0.022904,0.0,0.0	Slew = 12.01	4R3	4	0	4,018,914:00:0	
3878	97	179	07:27:20.733	117FP105A106A4C	7STRP	0.021803,0.0,0.0	Slew = -0.03	4R3	4	0	4,018,916:00:0	
3879	97	179	07:39:28.733	117FP11A	CSMOS	GE	***** GROUP END CSMOS	4R3	4	0	4,018,928:00:0	
3880	97	179	07:40:23.400	488AA6D	6TMSED	NORM,EL6	Sci, Eng, and D/L Chan	4R3	4	0	4,018,928:82:0	
3881	97	179	07:40:33.466	C9JNGRS53M01-		-----STOP-----		4R3	4	0	:	
3882	97	179	08:00:46.799	C9JNGRS5UM01-		-----START-----		4R3	4	0	:	
3883	97	179	08:01:42.733	165FR4A	7SCAN	NORM,28.264,11.9	Check S/P Position	4R3	4	0	4,018,949:90:0	
3884	97	179	08:05:34.066		DMS:	: *US-RUNUP	P7, TRACK *1, *FWD, TIC 4820.22 +/- 1	4R3	4	0	4,018,953:73:0	
3885	97	179	08:05:34.066	175FR422A6A	6DMSC	R7,0	DMS Control Tape runup 7.68kps	4R3	4	0	4,018,953:73:0	
3886	97	179	08:05:35.466		DMS:	: *US_AT_SP	P7, TRACK 1, FWD, TIC *4820.34 +/- 1	4R3	4	0	4,018,953:75:1	
3887	97	179	08:05:36.733	117FR	CSMOS	GS	***** GROUP START CSMOS	4R3	4	0	4,018,953:77:0	
3888	97	179	08:05:40.733		DMS:	: *US_RD	P7, TRACK 1, FWD, TIC *4821.58 +/- 1	4R3	4	0	4,018,953:83:0	
3889	97	179	08:05:41.933		DMS:	: *RUNUP	R7, TRACK *4, *REV, TIC *4821.64 +/- 1	4R3	4	0	4,018,953:84:8	
3890	97	179	08:05:42.733	175FR176A6A	6TMREC	LPU	7.68 KBPS NIMS-UVS-PPR RECORD Record Mode	4R3	4	0	4,018,953:86:0	
3891	97	179	08:05:43.333		DMS:	: *RECORD	R7, TRACK 4, REV, TIC *4821.52 +/- 1	4R3	4	0	4,018,953:86:9	
3892	97	179	08:05:43.333		DMS:	: *AT_SPD	R7, TRACK 4, REV, TIC 4821.52 +/- 1	4R3	4	0	4,018,953:86:9	
3893	97	179	08:05:46.066	117FR105A106A4A	7STRP	0.0109,0.0,0.0	Slew = -0.02	4R3	4	0	4,018,954:00:0	
3894	97	179	08:05:46.066	C9JNGRS5UM01-	NIMPBK	301ET	JUPITER GREAT RED SPOT 5 MICRON	4R3	4	0	:	
3895	97	179	08:14:52.066	C9JNGRS5UM01-	DESEL	300ET	JUPITER GREAT RED SPOT 5 MICRON	4R3	4	0	:	
3896	97	179	08:14:52.066	117FR11A	CSMOS	GE	***** GROUP END CSMOS	4R3	4	0	4,018,963:00:0	
3897	97	179	08:14:56.132	C9JNGRS5UM01-		-----STOP-----		4R3	4	0	:	
3898	97	179	08:15:04.066	175FR422A6B	6DMSC	RDY,0	DMS Control Tape stop	4R3	4	0	4,018,963:18:0	
3899	97	179	08:15:04.066	175FR6A	6TMREC	NRC	NO RECORD Record Mode Change	4R3	4	0	4,018,963:18:0	
3900	97	179	08:15:04.066		DMS:	: *RUNDOWN	R7, TRACK 4, REV, TIC *4690.10 +/- 1	4R3	4	0	4,018,963:18:0	
3901	97	179	08:15:05.266		DMS:	: *READY	RDY, TRACK 4, REV, TIC *4690.04 +/- 1	4R3	4	0	4,018,963:19:8	
3902	97	179	08:15:52.066	165AQ4A	7SCAN	NORM,30.603,17.3	Check S/P Position	4R3	4	0	4,018,963:90:0	
3903	97	179	08:37:10.799	C9JNAURMAP03+		-----START-----		4R3	4	0	:	

Line	YR	DOY	SCET - GMT	PSID	Command	Parameters	Description	GCM	GO	GS	RIM	MFI
3904	97	179	08:38:02.733	125LE11A	NIMSINIT	GE	##### GROUP END INIT	4R3	4	0	4,018,985:84:0	
3905	97	179	08:38:02.733	125LE	NIMSINIT	GS	##### GROUP START INIT	4R3	4	0	4,018,985:84:0	
3906	97	179	08:38:02.733	125LE4A	37MB	1B,1B,0,0,0,0	Selects mirror (spatial) edit table	4R3	4	0	4,018,985:84:0	
3907	97	179	08:39:03.400	127LE	NIMSTAB	GS	%%%%% GROUP START TAB	4R3	4	0	4,018,986:84:0	
3908	97	179	08:39:04.066	127LE4A	37ETB	04,C4,35,FF,FF	Loads wavelength edit table	4R3	4	0	4,018,986:85:0	
3909	97	179	08:39:12.066	127LE11A	NIMSTAB	GE	%%%%% GROUP END TAB	4R3	4	0	4,018,987:06:0	
3910	97	179	08:39:28.066	432EK6A	6RTSL2	NIMSEL, AACNCG, RT	NIMS R/T SELECT	4R3	4	0	4,018,987:30:0	
3911	97	179	08:42:28.733	432EL6A	6RTDS2	NIMDSL, AACNCG, RT	NIMS R/T DESELECT	4R3	4	0	4,018,990:28:0	
3912	97	179	08:44:06.733	125LF4A	37MB	0,0,0,0,0,0	Selects mirror (spatial) edit table	4R3	4	0	4,018,991:84:0	
3913	97	179	08:44:06.733	125LF11A	NIMSINIT	GE	##### GROUP END INIT	4R3	4	0	4,018,991:84:0	
3914	97	179	08:44:06.733	125LF	NIMSINIT	GS	##### GROUP START INIT	4R3	4	0	4,018,991:84:0	
3915	97	179	08:45:16.132	C9JNAURMAP03+		-----STOP-----		4R3	4	0	:	:
3916	97	179	08:46:12.066	165AR4A	7SCAN	NORM,31.725,17.7	Check S/P Position	4R3	4	0	4,018,993:90:0	
3917	97	179	08:46:16.799	C9NRELOAD09-		-----START-----		4R3	4	0	:	:
3918	97	179	08:47:17.400	20EJ6A	6CKSUM	NIMS	NIMS,1000,14BC	4R3	4	0	4,018,995:06:0	
3919	97	179	08:48:18.066	20EJ5A	37PL		Program Load (halts microprocessor & unwri	4R3	4	0	4,018,996:06:0	
3920	97	179	08:49:18.733	20EJ5B	37MRL		Memory Realocate (software operates from R	4R3	4	0	4,018,997:06:0	
3921	97	179	08:50:19.400	20EJ6B	6MCOPY	NIMS	NIMS,1000,LLM1A,7300,77F7	4R3	4	0	4,018,998:06:0	
3922	97	179	08:51:20.066	20EJ6C	6MCOPY	NIMS	NIMS,1598,LLM1A,77F8,781D	4R3	4	0	4,018,999:06:0	
3923	97	179	08:52:20.733	20EJ5C	37IRT		Instrument Reset (goes into POR state)	260	4	0	4,019,000:06:0	
3924	97	179	08:53:21.400	20EJ5D	37MN		Memory Normal (software operates from ROM)	260	4	0	4,019,001:06:0	
3925	97	179	08:54:22.066	20EJ4A	37IST	1,2,0,OFF,0,0,0	Chopper ON, Sync, Chopper (Ref)	2R0	4	0	4,019,002:06:0	
3926	97	179	08:55:22.733	20EJ4B	37IOP	3,0	Long Map, Grating Start Position =00	2R3	4	0	4,019,003:06:0	
3927	97	179	08:56:23.466	C9NRELOAD09-		-----STOP-----		2R3	4	0	:	:
3928	97	179	09:42:55.466	C9JNFEA08501-		-----START-----		2R3	4	0	:	:
3929	97	179	09:43:50.066	165FS4A	7SCAN	NORM,36.842,16.8	Check S/P Position	2R3	4	0	4,019,050:90:0	
3930	97	179	09:44:46.733	127FS4A	37IOP	5,1	Short Map, Grating Start Position =01	2R5	4	1	4,019,051:84:0	
3931	97	179	09:44:46.733	127FS	NIMSTAB	GS	%%%%% GROUP START TAB	2R5	4	1	4,019,051:84:0	
3932	97	179	09:44:47.400	127FS4B	37ETB	00,05,FF,F8,05,	Loads wavelength edit table	2R5	4	1	4,019,051:85:0	
3933	97	179	09:44:55.400	127FS11A	NIMSTAB	GE	%%%%% GROUP END TAB	2R5	4	1	4,019,052:06:0	
3934	97	179	09:45:40.066		DMS:	*US-RUNUP	P7, TRACK *1, *FWD, TIC 4690.04 +/- 1	2R5	4	1	4,019,052:73:0	
3935	97	179	09:45:40.066	175FS422A6A	6DMSC	R7,0	DMS Control Tape runup 7.68kps	2R5	4	1	4,019,052:73:0	
3936	97	179	09:45:41.466		DMS:	*US AT SP	P7, TRACK 1, FWD, TIC *4690.16 +/- 1	2R5	4	1	4,019,052:75:1	
3937	97	179	09:45:42.733	117FS	CSMOS	GS	***** GROUP START CSMOS	2R5	4	1	4,019,052:77:0	
3938	97	179	09:45:46.733		DMS:	*US RD	P7, TRACK 1, FWD, TIC *4691.39 +/- 1	2R5	4	1	4,019,052:83:0	
3939	97	179	09:45:47.933		DMS:	*RUNUP	R7, TRACK *4, *REV, TIC *4691.45 +/- 1	2R5	4	1	4,019,052:84:8	
3940	97	179	09:45:48.733	175FS176A6A	6TMREC	LPU	7.68 KBPS NIMS-UVS-PPR RECORD Record Mode	2R5	4	1	4,019,052:86:0	
3941	97	179	09:45:49.333		DMS:	*AT SPD	R7, TRACK 4, REV, TIC 4691.33 +/- 1	2R5	4	1	4,019,052:86:9	
3942	97	179	09:45:49.333		DMS:	*RECORD	R7, TRACK 4, REV, TIC *4691.33 +/- 1	2R5	4	1	4,019,052:86:9	
3943	97	179	09:45:52.066	C9JNFEA08501-	NIMPBK	301EU	JUPITER FTR TRK 85 DEGREES PHASE	2R5	4	1	:	:
3944	97	179	09:45:52.066	117FS105A106A4A	7STRP	0.021904,0,0,0,0	Slew =,0.11	2R5	4	1	4,019,053:00:0	
3945	97	179	09:49:12.066	117FS11A	CSMOS	GE	***** GROUP END CSMOS	2R5	4	1	4,019,056:27:0	
3946	97	179	09:49:12.066	C9JNFEA08501-	DESEL	300EU	JUPITER FTR TRK 85 DEGREES PHASE	2R5	4	1	:	:
3947	97	179	09:49:24.066	175FS422A6B	6DMSC	RDY,0	DMS Control Tape stop	2R5	4	1	4,019,056:45:0	
3948	97	179	09:49:24.066		DMS:	*RUNDOWN	R7, TRACK 4, REV, TIC *4641.00 +/- 1	2R5	4	1	4,019,056:45:0	
3949	97	179	09:49:24.066	175FS6A	6TMREC	RNC	NO RECORD Record Mode Change	2R5	4	1	4,019,056:45:0	
3950	97	179	09:49:25.266		DMS:	*READY	RDY, TRACK 4, REV, TIC *4640.94 +/- 1	2R5	4	1	4,019,056:46:8	
3951	97	179	09:50:02.799	C9JNFEA08501-		-----STOP-----		2R5	4	1	:	:
3952	97	179	09:51:51.400	125FT4A	37IST	1,2,0,OFF,0,1,1	Chopper ON, Sync, Chopper (Ref)Gain State	4R5	4	1	4,019,058:84:0	
3953	97	179	09:51:51.400	125FT11A	NIMSINIT	GE	##### GROUP END INIT	4R5	4	1	4,019,058:84:0	
3954	97	179	09:51:51.400	125FT	NIMSINIT	GS	##### GROUP START INIT	4R5	4	1	4,019,058:84:0	
3955	97	179	09:52:02.799	C9JNTHRCYL03-		-----START-----		4R5	4	1	:	:
3956	97	179	09:52:52.066	127FT	NIMSTAB	GS	%%%%% GROUP START TAB	4R5	4	1	4,019,059:84:0	
3957	97	179	09:52:52.066	127FT4A	37IOP	3,0	Long Map, Grating Start Position =00	4R3	4	0	4,019,059:84:0	
3958	97	179	09:52:52.733	127FT4B	37ETB	,CD,02.03,FF,1A,	Loads wavelength edit table	4R3	4	0	4,019,059:85:0	

Line	YR	DOY	SCET - GMT	PSID	Command	Parameters	Description	GCM	GO	GS	RIM	MFI
3959	97	179	09:52:56.066	165FT4A	7SCAN	NORM,32.98,15.58	Check S/P Position	4R3	4	0	4,019,059:90:0	
3960	97	179	09:53:00.733	127FT11A	NIMSTAB	GE	%%%%GROUP END TAB	4R3	4	0	4,019,060:06:0	
3961	97	179	09:53:45.400		DMS:	:*US-RUNUP	P7, TRACK *1, *FWD, TIC 4640.94 +/- 1	4R3	4	0	4,019,060:73:0	
3962	97	179	09:53:45.400	175FT422A6A	6DMSC	R7,0	DMS Control Tape runup 7.68kps	4R3	4	0	4,019,060:73:0	
3963	97	179	09:53:46.800		DMS:	:*US_AT_SP	P7, TRACK 1, FWD, TIC *4641.06 +/- 1	4R3	4	0	4,019,060:75:1	
3964	97	179	09:53:48.066	117FT	CSMOS	GS	***** GROUP START CSMOS	4R3	4	0	4,019,060:77:0	
3965	97	179	09:53:52.066		DMS:	:*US_RD	P7, TRACK 1, FWD, TIC *4642.30 +/- 1	4R3	4	0	4,019,060:83:0	
3966	97	179	09:53:53.266		DMS:	:*RUNUP	R7, TRACK *4, *REV, TIC *4642.36 +/- 1	4R3	4	0	4,019,060:84:8	
3967	97	179	09:53:54.066	175FT176A6A	6TMREC	LPU	7.68 KBPS NIMS-UVS-PPR RECORD Record Mode	4R3	4	0	4,019,060:86:0	
3968	97	179	09:53:54.666		DMS:	:*AT_SPD	R7, TRACK 4, REV, TIC 4642.24 +/- 1	4R3	4	0	4,019,060:86:9	
3969	97	179	09:53:54.666		DMS:	:*RECORD	R7, TRACK 4, REV, TIC *4642.24 +/- 1	4R3	4	0	4,019,060:86:9	
3970	97	179	09:53:57.400	C9JNTHRCYL03-	NIMPBK	301EV	JUPITER THERMAL CYCLE MAP PART 3	4R3	4	0	:	:
3971	97	179	09:53:57.400	117FT105A106A4A	7STRP	0.035915,0.0,0.0	Slew = -0.03	4R3	4	0	4,019,061:00:0	
3972	97	179	10:13:45.400	C9JNTHRCYL03-	DESEL	300EV	JUPITER THERMAL CYCLE MAP PART 3	4R3	4	0	:	:
3973	97	179	10:13:55.400		DMS:	:*RUNDOWN	R7, TRACK 4, REV, TIC *4360.81 +/- 1	4R3	4	0	4,019,080:68:0	
3974	97	179	10:13:55.400	175FT16A	6TMREC	NRC	NO RECORD Record Mode Change	4R3	4	0	4,019,080:68:0	
3975	97	179	10:13:55.400	175FT422A6B	6DMSC	RDY,0	DMS Control Tape stop	4R3	4	0	4,019,080:68:0	
3976	97	179	10:13:56.600		DMS:	:*READY	RDY, TRACK 4, REV, TIC *4360.75 +/- 1	4R3	4	0	4,019,080:69:8	
3977	97	179	10:13:56.733	117FT11A	CSMOS	GE	***** GROUP END CSMOS	4R3	4	0	4,019,080:70:0	
3978	97	179	10:14:02.466	C9JNTHRCYL03-	*****STOP	*****		4R3	4	0	:	:
3979	97	179	10:26:02.799	C9JNFEA08502-	*****START	*****		4R3	4	0	:	:
3980	97	179	10:26:18.066	165FV4A	7SCAN	NORM,38.278,17.3	Check S/P Position	4R3	4	0	4,019,092:90:0	
3981	97	179	10:28:15.400	125FV11A	NIMSINIT	GE	##### GROUP END INIT	4R3	4	0	4,019,094:84:0	
3982	97	179	10:28:15.400	125FV4A	37IST	1,2,0,OFF,0,1,0	Chopper ON, Sync, Chopper (Ref)Gain State	2R3	4	0	4,019,094:84:0	
3983	97	179	10:28:15.400	125FV	NIMSINIT	GS	##### GROUP START INIT	2R3	4	0	4,019,094:84:0	
3984	97	179	10:29:16.066	127FV	NIMSTAB	GS	%%%%GROUP START TAB	2R3	4	0	4,019,095:84:0	
3985	97	179	10:29:16.066	127FV4A	37IOP	5,1	Short Map, Grating Start Position =01	2R5	4	1	4,019,095:84:0	
3986	97	179	10:29:16.733	127FV4B	37ETB	00,05,FF,F8,05,	Loads wavelength edit table	2R5	4	1	4,019,095:85:0	
3987	97	179	10:29:24.733	127FV11A	NIMSTAB	GE	%%%%GROUP END TAB	2R5	4	1	4,019,096:06:0	
3988	97	179	10:30:09.400	175FV422A6A	6DMSC	R7,0	DMS Control Tape runup 7.68kps	2R5	4	1	4,019,096:73:0	
3989	97	179	10:30:09.400		DMS:	:*US-RUNUP	P7, TRACK *1, *FWD, TIC 4360.75 +/- 1	2R5	4	1	4,019,096:73:0	
3990	97	179	10:30:10.800		DMS:	:*US_AT_SP	P7, TRACK 1, FWD, TIC *4360.87 +/- 1	2R5	4	1	4,019,096:75:1	
3991	97	179	10:30:12.066	117FV	CSMOS	GS	***** GROUP START CSMOS	2R5	4	1	4,019,096:77:0	
3992	97	179	10:30:16.066		DMS:	:*US_RD	P7, TRACK 1, FWD, TIC *4362.11 +/- 1	2R5	4	1	4,019,096:83:0	
3993	97	179	10:30:17.266		DMS:	:*RUNUP	R7, TRACK *4, *REV, TIC *4362.17 +/- 1	2R5	4	1	4,019,096:84:8	
3994	97	179	10:30:18.066	175FV176A6A	6TMREC	LPU	7.68 KBPS NIMS-UVS-PPR RECORD Record Mode	2R5	4	1	4,019,096:86:0	
3995	97	179	10:30:18.666		DMS:	:*AT_SPD	R7, TRACK 4, REV, TIC 4362.05 +/- 1	2R5	4	1	4,019,096:86:9	
3996	97	179	10:30:18.666		DMS:	:*RECORD	R7, TRACK 4, REV, TIC *4362.05 +/- 1	2R5	4	1	4,019,096:86:9	
3997	97	179	10:30:21.400	C9JNFEA08502-	NIMPBK	301EW	JUPITER FTR TRK 85 DEGREES PHASE	2R5	4	1	:	:
3998	97	179	10:30:21.400	117FV105A106A4A	7STRP	0.021904,0.0,0.0	Slew = -0.11	2R5	4	1	4,019,097:00:0	
3999	97	179	10:33:41.400	C9JNFEA08502-	DESEL	300EW	JUPITER FTR TRK 85 DEGREES PHASE	2R5	4	1	:	:
4000	97	179	10:33:41.400	117FV11A	CSMOS	GE	***** GROUP END CSMOS	2R5	4	1	4,019,100:27:0	
4001	97	179	10:33:53.400	175FV422A6B	6DMSC	RDY,0	DMS Control Tape stop	2R5	4	1	4,019,100:45:0	
4002	97	179	10:33:53.400	175FV6A	6TMREC	NRC	NO RECORD Record Mode Change	2R5	4	1	4,019,100:45:0	
4003	97	179	10:33:53.400		DMS:	:*RUNDOWN	R7, TRACK 4, REV, TIC *4311.72 +/- 1	2R5	4	1	4,019,100:45:0	
4004	97	179	10:33:54.600		DMS:	:*READY	RDY, TRACK 4, REV, TIC *4311.66 +/- 1	2R5	4	1	4,019,100:46:8	
4005	97	179	10:36:02.799	C9JNFEA08502-	*****STOP	*****		2R5	4	1	:	:
4006	97	179	10:36:20.733	125FW4A	37IST	1,2,0,OFF,0,1,1	Chopper ON, Sync, Chopper (Ref)Gain State	4R5	4	1	4,019,102:84:0	
4007	97	179	10:36:20.733	125FW	NIMSINIT	GS	##### GROUP START INIT	4R5	4	1	4,019,102:84:0	
4008	97	179	10:36:20.733	125FW11A	NIMSINIT	GE	##### GROUP END INIT	4R5	4	1	4,019,102:84:0	
4009	97	179	10:37:02.799	C9JNTHRCYL04-	*****START	*****		4R5	4	1	:	:
4010	97	179	10:37:21.400	127FW4A	37IOP	3,0	Long Map, Grating Start Position =00	4R3	4	0	4,019,103:84:0	
4011	97	179	10:37:21.400	127FW	NIMSTAB	GS	%%%%GROUP START TAB	4R3	4	0	4,019,103:84:0	
4012	97	179	10:37:22.066	127FW4B	37ETB	CD,02,03,FF,1A,	Loads wavelength edit table	4R3	4	0	4,019,103:85:0	
4013	97	179	10:37:25.400	165FW4A	7SCAN	NORM:34.512,16.1	Check S/P Position	4R3	4	0	4,019,103:90:0	

Line	YR	DOY	SCET - GMT	PSID	Command	Parameters	Description	GCM	GO	GS	RIM	MFI
4014	97	179	10:37:30.066	127FW11A	NIMSTAB	GE	%%%GROUP END TAB	4R3	4	0	4,019,104:06:0	
4015	97	179	10:38:14.733	175FW422A6A	6DMSC	R7.0	DMS Control Tape runup 7.68kps	4R3	4	0	4,019,104:73:0	
4016	97	179	10:38:14.733		DMS:	:*US-RUNUP	P7, TRACK *1, *FWD, TIC 4311.66 +/- 1	4R3	4	0	4,019,104:73:0	
4017	97	179	10:38:16.133		DMS:	:*US_AT_SP	P7, TRACK 1, FWD, TIC *4311.78 +/- 1	4R3	4	0	4,019,104:75:1	
4018	97	179	10:38:17.400	117FW	CSMOS	GS	**** GROUP START CSMOS	4R3	4	0	4,019,104:77:0	
4019	97	179	10:38:21.400		DMS:	:*US_RD	P7, TRACK 1, FWD, TIC *4313.02 +/- 1	4R3	4	0	4,019,104:83:0	
4020	97	179	10:38:22.600		DMS:	:*RUNUP	P7, TRACK *4, *REV, TIC *4313.08 +/- 1	4R3	4	0	4,019,104:84:8	
4021	97	179	10:38:23.400	175FW176A6A	6TMREC	LPU	7.68 KBPS NIMS-UVS-PPR RECORD Record Mode	4R3	4	0	4,019,104:86:0	
4022	97	179	10:38:24.000		DMS:	:*RECORD	R7, TRACK 4, REV, TIC *4312.96 +/- 1	4R3	4	0	4,019,104:86:9	
4023	97	179	10:38:24.000		DMS:	:*AT_SPD	R7, TRACK 4, REV, TIC 4312.96 +/- 1	4R3	4	0	4,019,104:86:9	
4024	97	179	10:38:26.733	117FW105A106A4A	7STRP	0.038:108,0,0,0,0	Slew = -0.03	4R3	4	0	4,019,105:00:0	
4025	97	179	10:38:26.733	C9JNTHRCYL04-	NIMPBK	301EX	JUPITER THERMAL CYCLE MAP PART 4	4R3	4	0	:	:
4026	97	179	10:58:14.733	C9JNTHRCYL04-	DESELC	300EX	JUPITER THERMAL CYCLE MAP PART 4	4R3	4	0	:	:
4027	97	179	10:58:24.733		DMS:	:*RUNDOWN	R7, TRACK 4, REV, TIC *4031.53 +/- 1	4R3	4	0	4,019,124:68:0	
4028	97	179	10:58:24.733	175FW422A6B	6DMSC	RDY.0	DMS Control Tape stop	4R3	4	0	4,019,124:68:0	
4029	97	179	10:58:24.733	175FW6A	6TMREC	NRC	NO RECORD Record Mode Change	4R3	4	0	4,019,124:68:0	
4030	97	179	10:58:25.933		DMS:	:*READY	RDY, TRACK 4, REV, TIC *4031.47 +/- 1	4R3	4	0	4,019,124:69:8	
4031	97	179	10:59:02.799	C9JNTHRCYL04-		-----STOP-----		4R3	4	0	:	:
4032	97	179	10:59:40.733	117FW11A	CSMOS	GE	**** GROUP END CSMOS	4R3	4	0	4,019,126:00:0	
4033	97	179	11:00:00.066	488AA6E	6TMSED	NORM,HL6	Sci, Eng, and D/L Chan	4R3	4	0	4,019,126:29:0	
4034	97	179	11:00:00.733	282NE432A431A6A	6RCDL	DDSCG,PLSDSL,EP	Record Deselect (DDS o	4R3	4	0	4,019,126:30:0	
4035	97	179	11:00:01.400	282NE432A6A	6RTSL1		R/T Select of DDS and	4R3	4	0	4,019,126:31:0	
4036	97	179	11:12:02.066	488AB6A	6TMSED	FILL,HL6	Sci, Eng, and D/L Chan	4R3	4	0	4,019,138:20:0	
4037	97	179	11:14:54.799	C9JNFEA08503-		-----START-----		4R3	4	0	:	:
4038	97	179	11:15:50.733	165FY4A	7SCAN	NORM:38,51,17,40	Check S/P Position	4R3	4	0	4,019,141:90:0	
4039	97	179	11:15:51.400	488AB6B	6TMSED	FILL,HL8	Sci, Eng, and D/L Chan	4R3	4	0	4,019,142:00:0	
4040	97	179	11:17:31.400	488AB6C	6TMSED	NORM,HL8	Sci, Eng, and D/L Chan	4R3	4	0	4,019,143:59:0	
4041	97	179	11:17:48.066	125FY4A	37IST	1,2,0,OFF,0,1,0	Chopper ON, Sync, Chopper (Ref)Gain State	2R3	4	0	4,019,143:84:0	
4042	97	179	11:17:48.066	125FY	NIMSNIT	GS	##### GROUP START INIT	2R3	4	0	4,019,143:84:0	
4043	97	179	11:17:48.066	125FY11A	NIMSNIT	GE	##### GROUP END INIT	2R3	4	0	4,019,143:84:0	
4044	97	179	11:18:48.733	127FY	NIMSTAB	GS	%%GROUP START TAB	2R3	4	0	4,019,144:84:0	
4045	97	179	11:18:48.733	127FY4A	37IOP	5,1	Short Map, Grating Start Position =01	2R5	4	1	4,019,144:84:0	
4046	97	179	11:18:49.400	127FY4B	37ETB	00,05,FF,F8,05,	Loads wavelength edit table	2R5	4	1	4,019,144:85:0	
4047	97	179	11:18:57.400	127FY11A	NIMSTAB	GE	%%GROUP END TAB	2R5	4	1	4,019,145:06:0	
4048	97	179	11:19:42.066	175FY422A6A	6DMSC	R7.0	P7, TRACK *1, *FWD, TIC 4031.47 +/- 1	2R5	4	1	4,019,145:73:0	
4049	97	179	11:19:42.066		DMS:	:*US-RUNUP	DMS Control Tape runup 7.68kps	2R5	4	1	4,019,145:73:0	
4050	97	179	11:19:43.466		DMS:	:*US_AT_SP	P7, TRACK 1, FWD, TIC *4031.59 +/- 1	2R5	4	1	4,019,145:75:1	
4051	97	179	11:19:44.733	117FY	CSMOS	GS	**** GROUP START CSMOS	2R5	4	1	4,019,145:77:0	
4052	97	179	11:19:48.733		DMS:	:*US_RD	P7, TRACK 1, FWD, TIC *4032.83 +/- 1	2R5	4	1	4,019,145:83:0	
4053	97	179	11:19:49.933		DMS:	:*RUNUP	R7, TRACK *4, *REV, TIC *4032.89 +/- 1	2R5	4	1	4,019,145:84:8	
4054	97	179	11:19:50.733	175FY176A6A	6TMREC	LPU	7.68 KBPS NIMS-UVS-PPR RECORD Record Mode	2R5	4	1	4,019,145:86:0	
4055	97	179	11:19:51.333		DMS:	:*RECORD	R7, TRACK 4, REV, TIC *4032.77 +/- 1	2R5	4	1	4,019,145:86:9	
4056	97	179	11:19:51.333		DMS:	:*AT_SPD	R7, TRACK 4, REV, TIC 4032.77 +/- 1	2R5	4	1	4,019,145:86:9	
4057	97	179	11:19:54.066	C9JNFEA08503-	NIMPBK	301EY	JUPITER FIR TRK 85 DEGREES PHASE	2R5	4	1	:	:
4058	97	179	11:19:54.066	117FY105A106A4A	7STRP	0.021904,0,0,0,0	Slew = -0.11	2R5	4	1	4,019,146:00:0	
4059	97	179	11:23:14.066	C9JNFEA08503-	DESELC	300EY	JUPITER FIR TRK 85 DEGREES PHASE	2R5	4	1	:	:
4060	97	179	11:23:14.066	117FY11A	CSMOS	GE	**** GROUP END CSMOS	2R5	4	1	4,019,149:27:0	
4061	97	179	11:23:26.066	175FY422A6B	6DMSC	RDY.0	DMS Control Tape stop	2R5	4	1	4,019,149:45:0	
4062	97	179	11:23:26.066	175FY6A	6TMREC	NRC	NO RECORD Record Mode Change	2R5	4	1	4,019,149:45:0	
4063	97	179	11:23:26.066		DMS:	:*RUNDOWN	R7, TRACK 4, REV, TIC *3982.44 +/- 1	2R5	4	1	4,019,149:45:0	
4064	97	179	11:23:27.266		DMS:	:*READY	RDY, TRACK 4, REV, TIC *3982.38 +/- 1	2R5	4	1	4,019,149:46:8	
4065	97	179	11:24:00.799	C9JNFEA08503-		-----STOP-----		2R5	4	1	:	:
4066	97	179	11:34:02.733	165FZ4A	7SCAN	NORM:38,409,17,3	Check S/P Position	2R5	4	1	4,019,159:90:0	
4067	97	179	11:34:02.799	C9JNFEA08504-		-----START-----		2R5	4	1	:	:
4068	97	179	11:37:54.066		DMS:	:*US-RUNUP	P7, TRACK *1, *FWD, TIC 3982.38 +/- 1	2R5	4	1	4,019,163:73:0	

Line	YR	DOY	SCET - GMT	PSID	Command	Parameters	Description	GCM	GO	GS	RIM	MFI
4069	97	179	11:37:54.066	175FZ422A6A	6DMSC	R7,0	DMS Control Tape runup 7.68kps	2R5	4	1	4,019,163:73:0	
4070	97	179	11:37:55.466		DMS:	:*US_AT_SP	P7, TRACK 1, FWD, TIC *3982.50 +/- 1	2R5	4	1	4,019,163:75:1	
4071	97	179	11:37:56.733	117FZ	CSMOS	GS	**** GROUP START CSMOS	2R5	4	1	4,019,163:77:0	
4072	97	179	11:38:00.733		DMS:	:*US_RD	P7, TRACK 1, FWD, TIC *3983.73 +/- 1	2R5	4	1	4,019,163:83:0	
4073	97	179	11:38:01.933		DMS:	:*RUNUP	R7, TRACK *4, *REV, TIC *3983.79 +/- 1	2R5	4	1	4,019,163:84:8	
4074	97	179	11:38:02.733	175FZ176A6A	6TMREC	LPU	7.68 KBPS NIMS-UVS-PPR RECORD Record Mode	2R5	4	1	4,019,163:86:0	
4075	97	179	11:38:03.333		DMS:	:*AT_SPD	R7, TRACK 4, REV, TIC 3983.67 +/- 1	2R5	4	1	4,019,163:86:9	
4076	97	179	11:38:03.333		DMS:	:*RECORD	R7, TRACK 4, REV, TIC *3983.67 +/- 1	2R5	4	1	4,019,163:86:9	
4077	97	179	11:38:06.066	C9JNFEA08504-	NIMPBK	301EZ	JUPITER FTR TRK 85 DEGREES PHASE	2R5	4	1	:	
4078	97	179	11:38:06.066	117FZ105A106A4A	7STRP	0.021904,0,0,0,0	Slew =-0.11	2R5	4	1	4,019,164:00:0	
4079	97	179	11:41:26.066	C9JNFEA08504-	DESELC	300EZ	JUPITER FTR TRK 85 DEGREES PHASE	2R5	4	1	:	
4080	97	179	11:41:26.066	117FZ11A	CSMOS	GE	**** GROUP END CSMOS	2R5	4	1	4,019,167:27:0	
4081	97	179	11:41:38.066	175FZ6A	6TMREC	NRC	NO RECORD Record Mode Change	2R5	4	1	4,019,167:45:0	
4082	97	179	11:41:38.066		DMS:	:*RUNDOWN	R7, TRACK 4, REV, TIC *3933.35 +/- 1	2R5	4	1	4,019,167:45:0	
4083	97	179	11:41:38.066	175FZ422A6B	6DMSC	RDY,0	DMS Control Tape stop	2R5	4	1	4,019,167:45:0	
4084	97	179	11:41:39.266		DMS:	:*READY	RDY, TRACK 4, REV, TIC *3933.29 +/- 1	2R5	4	1	4,019,167:46:8	
4085	97	179	11:42:02.799	C9JNFEA08504-			-----STOP-----	2R5	4	1	:	
4086	97	179	12:04:27.466	C9NNRELOAD10-			-----START-----	2R5	4	1	:	
4087	97	179	12:05:28.066	20EK6A	6CKSUM	NIMS	NIMS,1000,14BC	2R5	4	1	4,019,191:06:0	
4088	97	179	12:06:28.733	20EK5A	37PL		Program Load (halts microprocessor & unwri	2R5	4	1	4,019,192:06:0	
4089	97	179	12:07:29.400	20EK5B	37MRL		Memory Realocate (software operates from R	2R5	4	1	4,019,193:06:0	
4090	97	179	12:08:30.066	20EK6B	6MCOPY	NIMS	NIMS,1000,LLM1A,7300,77F7	2R5	4	1	4,019,194:06:0	
4091	97	179	12:09:30.733	20EK6C	6MCOPY	NIMS	NIMS,1598,LLM1A,77F8,781D	2R5	4	1	4,019,195:06:0	
4092	97	179	12:10:31.400	20EK5C	37IRT		Instrument Reset (goes into POR state)	260	4	0	4,019,196:06:0	
4093	97	179	12:11:32.066	20EK5D	37MNI		Memory Normal (software operates from ROM)	260	4	0	4,019,197:06:0	
4094	97	179	12:12:32.733	20EK4A	37IST	1,2,0,OFF,0,0,0	Chopper ON, Sync, Chopper (Ref)	2R0	4	0	4,019,198:06:0	
4095	97	179	12:12:32.799	C9HNDARK_04-			-----START-----	2R0	4	0	:	
4096	97	179	12:13:28.733	165LB4A	7SCAN	NORM;259.005997,	Check S/P Position	2R0	4	0	4,019,198:90:0	
4097	97	179	12:13:33.400	20EK4B	37IOP	3,0	Long Map, Grating Start Position =00	2R3	4	0	4,019,199:06:0	
4098	97	179	12:14:34.132	C9NNRELOAD10-			-----STOP-----	2R3	4	0	:	
4099	97	179	12:15:26.066	125DA4A	37IST	1,2,0,OFF,0,1,2	Chopper ON, Sync, Chopper (Ref)Gain State	3R3	4	0	4,019,200:84:0	
4100	97	179	12:15:26.066	125DA11A	NIMSINIT	GE	##### GROUP END INIT	3R3	4	0	4,019,200:84:0	
4101	97	179	12:15:26.066	125DA	NIMSINIT	GS	##### GROUP START INIT	3R3	4	0	4,019,200:84:0	
4102	97	179	12:16:26.733	127DA	NIMSTAB	GS	%%%%%%%% GROUP START TAB	3R3	4	0	4,019,201:84:0	
4103	97	179	12:16:27.400	127DA4A	37ETB	0A,CA,1D,FF,FF,0	Loads wavelength edit table	3R3	4	0	4,019,201:85:0	
4104	97	179	12:16:35.400	127DA11A	NIMSTAB	GE	%%%%%%%% GROUP END TAB	3R3	4	0	4,019,202:06:0	
4105	97	179	12:17:20.066		DMS:	:*US-RUNUP	P7, TRACK *1, *FWD, TIC 3933.29 +/- 1	3R3	4	0	4,019,202:73:0	
4106	97	179	12:17:20.066	175LB422A6A	6DMSC	R7,0	DMS Control Tape runup 7.68kps	3R3	4	0	4,019,202:73:0	
4107	97	179	12:17:21.466		DMS:	:*US_AT_SP	P7, TRACK 1, FWD, TIC *3933.41 +/- 1	3R3	4	0	4,019,202:75:1	
4108	97	179	12:17:22.733	117LB	CSMOS	GS	**** GROUP START CSMOS	3R3	4	0	4,019,202:77:0	
4109	97	179	12:17:26.733		DMS:	:*US_RD	P7, TRACK 1, FWD, TIC *3934.64 +/- 1	3R3	4	0	4,019,202:83:0	
4110	97	179	12:17:27.933		DMS:	:*RUNUP	R7, TRACK *4, *REV, TIC *3934.70 +/- 1	3R3	4	0	4,019,202:84:8	
4111	97	179	12:17:28.733	175LB176A6A	6TMREC	LPU	7.68 KBPS NIMS-UVS-PPR RECORD Record Mode	3R3	4	0	4,019,202:86:0	
4112	97	179	12:17:29.333		DMS:	:*RECORD	R7, TRACK 4, REV, TIC *3934.58 +/- 1	3R3	4	0	4,019,202:86:9	
4113	97	179	12:17:29.333		DMS:	:*AT_SPD	R7, TRACK 4, REV, TIC 3934.58 +/- 1	3R3	4	0	4,019,202:86:9	
4114	97	179	12:17:32.066	117LB105A106A4A	7STRP	-0.0017,0,0,0,0,	Slew =-0.03	3R3	4	0	4,019,203:00:0	
4115	97	179	12:17:32.066	C9HNDARK_04-	NIMPBK	301FB	NIMS DARK OBSERVATION	3R3	4	0	:	
4116	97	179	12:18:32.066	C9HNDARK_04-	DESELC	300FB	NIMS DARK OBSERVATION	3R3	4	0	:	
4117	97	179	12:18:32.733	117LB11A	CSMOS	GE	**** GROUP END CSMOS	3R3	4	0	4,019,204:00:0	
4118	97	179	12:18:36.799	C9HNDARK_04-			-----STOP-----	3R3	4	0	:	
4119	97	179	12:18:40.066	488AB6D	6TMSED	FILL,HL8	Sci. Eng. and D/L Chan	3R3	4	0	4,019,204:11:0	
4120	97	179	12:18:44.066	175LB6A	6TMREC	NRC	NO RECORD Record Mode Change	3R3	4	0	4,019,204:17:0	
4121	97	179	12:18:44.066		DMS:	:*RUNDOWN	R7, TRACK 4, REV, TIC *3917.06 +/- 1	3R3	4	0	4,019,204:17:0	
4122	97	179	12:18:44.066	175LB422A6B	6DMSC	RDY,0	DMS Control Tape stop	3R3	4	0	4,019,204:17:0	
4123	97	179	12:18:45.266		DMS:	:*READY	RDY, TRACK 4, REV, TIC *3917.00 +/- 1	3R3	4	0	4,019,204:18:8	

Line	YR	DOY	SCET	GMT	PSID	Command	Parameters	Description	GCM	GO	GS	RIM	MFI	
4124	97	179	12:19:37.466		C9JNFEA53M01-165LC4A	7SCAN	-----START----- NORM:38.294,17.3	Check S/P Position	3R3	4	0	0	4,019,206:70:0	
4126	97	179	12:21:30.066		125DQ4A	37IST	1,2,0,OFF,0,1,1	Chopper ON, Sync, Chopper (Ref)Gain State	4R3	4	0	0	4,019,206:84:0	
4127	97	179	12:21:30.066		125DQ11A	NIM5INIT	GE	##### GROUP END INIT	4R3	4	0	0	4,019,206:84:0	
4128	97	179	12:21:30.066		125DQ	NIM5INIT	GS	##### GROUP START INIT	4R3	4	0	0	4,019,206:84:0	
4129	97	179	12:22:30.733		127DQ	NIM5TAB	GS	%%-%-%-% GROUP START TAB	4R3	4	0	0	4,019,207:84:0	
4130	97	179	12:22:31.400		127DQ4A	37ETB		Loads wavelength edit table	4R3	4	0	0	4,019,207:85:0	
4131	97	179	12:22:39.400		127DQ11A	NIM5TAB	GE	%%-%-%-% GROUP END TAB	4R3	4	0	0	4,019,208:06:0	
4132	97	179	12:23:24.066		175LC422A6A	DMS:	:*US-RUNUP	P7, TRACK *1, *FWD, TIC 3917.00 +/- 1	4R3	4	0	0	4,019,208:73:0	
4133	97	179	12:23:24.066		175LC422A6A	6DMSC	R7,0	DMS Control Tape runup 7.68kps	4R3	4	0	0	4,019,208:73:0	
4134	97	179	12:23:25.466		117LC	DMS:	:*US_AT_SP	P7, TRACK 1, FWD, TIC *3917.12 +/- 1	4R3	4	0	0	4,019,208:75:1	
4135	97	179	12:23:26.733		117LC	CSMOS	GS	***** GROUP START CSMOS	4R3	4	0	0	4,019,208:77:0	
4136	97	179	12:23:30.733		117LC105A106A4A	DMS:	:*US_RD	P7, TRACK 1, FWD, TIC *3918.36 +/- 1	4R3	4	0	0	4,019,208:83:0	
4137	97	179	12:23:31.933		117LC105A106A4A	DMS:	:*RUNUP	R7, TRACK *4, *REV, TIC *3918.42 +/- 1	4R3	4	0	0	4,019,208:84:8	
4138	97	179	12:23:32.733		175LC176A6A	6TMREC	LPU	7.68 KBPS NIMS-UVS-PPR RECORD Record Mode	4R3	4	0	0	4,019,208:86:0	
4139	97	179	12:23:33.333		117LC105A106A4B	DMS:	:*RECORD	R7, TRACK 4, REV, TIC *3918.30 +/- 1	4R3	4	0	0	4,019,208:86:9	
4140	97	179	12:23:33.333		117LC105A106A4C	DMS:	:*AT_SPD	R7, TRACK 4, REV, TIC 3918.30 +/- 1	4R3	4	0	0	4,019,208:86:9	
4141	97	179	12:23:36.066		117LC105A106A4A	7STRP	0.021803,0.0,0.0	Slew = 0.03	4R3	4	0	0	4,019,209:00:0	
4142	97	179	12:23:36.066		C9JNFEA53M01-165LC4A	NIMPBK	301FC	JUPITER FTR TRK 5 AND 3 MICRON M	4R3	4	0	0	0	0
4143	97	179	12:35:26.066		C9JNFEA53M01-165LC4A	DESEL	300FC	JUPITER FTR TRK 5 AND 3 MICRON M	4R3	4	0	0	0	0
4144	97	179	12:35:44.066		117LC105A106A4B	7STRP	-0.021003,0.0,0.0	Slew = 12.01	4R3	4	0	0	4,019,221:00:0	
4145	97	179	12:37:45.400		117LC105A106A4C	7STRP	0.021803,0.0,0.0	Slew = 0.03	4R3	4	0	0	4,019,223:00:0	
4146	97	179	12:42:05.400		488AB6E	6TMSED	NORM:HL8	Sci, Eng, and D/L Chan	4R3	4	0	0	4,019,227:26:0	
4147	97	179	12:49:53.400		117LC11A	CSMOS	GE	***** GROUP END CSMOS	4R3	4	0	0	4,019,235:00:0	
4148	97	179	12:50:02.799		C9JNFEA53M01-165LC4A	DMS:	-----STOP-----		4R3	4	0	0	0	0
4149	97	179	12:50:05.400		175LC422A6B	DMS:	:*RUNDOWN	R7, TRACK 4, REV, TIC *3545.16 +/- 1	4R3	4	0	0	4,019,235:18:0	
4150	97	179	12:50:05.400		175LC422A6A	6DMSC	RDY,0	DMS Control Tape stop	4R3	4	0	0	4,019,235:18:0	
4151	97	179	12:50:05.400		175LC6A	6TMREC	NRC	NO RECORD Record Mode Change	4R3	4	0	0	4,019,235:18:0	
4152	97	179	12:50:06.600		C9JNFEA53M01-165LC4A	DMS:	:*READY	RDY, TRACK 4, REV, TIC *3545.10 +/- 1	4R3	4	0	0	4,019,235:19:8	
4153	97	179	13:04:06.799		C9JNFEA53M01-165LC4A	DMS:	-----START-----		4R3	4	0	0	0	0
4154	97	179	13:05:02.733		175LD422A6A	7SCAN	NORM:38.116,17.2	Check S/P Position	4R3	4	0	0	4,019,249:90:0	
4155	97	179	13:08:54.066		175LD422A6A	6DMSC	R7,0	DMS Control Tape runup 7.68kps	4R3	4	0	0	4,019,253:73:0	
4156	97	179	13:08:54.066		C9JNFEA53M01-165LC4A	DMS:	:*US-RUNUP	P7, TRACK *1, *FWD, TIC 3545.10 +/- 1	4R3	4	0	0	4,019,253:73:0	
4157	97	179	13:08:55.466		117LD	DMS:	:*US_AT_SP	P7, TRACK 1, FWD, TIC *3545.22 +/- 1	4R3	4	0	0	4,019,253:75:1	
4158	97	179	13:08:56.733		117LD	CSMOS	GS	***** GROUP START CSMOS	4R3	4	0	0	4,019,253:77:0	
4159	97	179	13:09:00.733		175LD176A6A	DMS:	:*US_RD	P7, TRACK 1, FWD, TIC *3546.45 +/- 1	4R3	4	0	0	4,019,253:83:0	
4160	97	179	13:09:01.933		175LD176A6A	DMS:	:*RUNUP	R7, TRACK *4, *REV, TIC *3546.51 +/- 1	4R3	4	0	0	4,019,253:84:8	
4161	97	179	13:09:02.733		175LD176A6A	6TMREC	LPU	7.68 KBPS NIMS-UVS-PPR RECORD Record Mode	4R3	4	0	0	4,019,253:86:0	
4162	97	179	13:09:03.333		175LD422A6B	DMS:	:*AT_SPD	R7, TRACK 4, REV, TIC 3546.39 +/- 1	4R3	4	0	0	4,019,253:86:9	
4163	97	179	13:09:03.333		175LD6A	DMS:	:*RECORD	R7, TRACK 4, REV, TIC *3546.39 +/- 1	4R3	4	0	0	4,019,253:86:9	
4164	97	179	13:09:06.066		C9JNFEA53M01-165LC4A	NIMPBK	301FD	JUPITER FTR TRK 5 MICRON MAP	4R3	4	0	0	0	0
4165	97	179	13:09:06.066		117LD105A106A4A	7STRP	0.016351,0.0,0.0	Slew = 0.03	4R3	4	0	0	4,019,254:00:0	
4166	97	179	13:18:09.400		C9JNFEA53M01-165LC4A	DESEL	300FD	JUPITER FTR TRK 5 MICRON MAP	4R3	4	0	0	0	0
4167	97	179	13:18:12.066		117LD11A	CSMOS	GE	***** GROUP END CSMOS	4R3	4	0	0	4,019,263:00:0	
4168	97	179	13:18:16.132		C9JNFEA53M01-165LC4A	DMS:	-----STOP-----		4R3	4	0	0	0	0
4169	97	179	13:18:19.400		175LD422A6B	6DMSC	RDY,0	DMS Control Tape stop	4R3	4	0	0	4,019,263:11:0	
4170	97	179	13:18:19.400		175LD6A	6TMREC	NRC	NO RECORD Record Mode Change	4R3	4	0	0	4,019,263:11:0	
4171	97	179	13:18:19.400		C9JNFEA53M01-165LC4A	DMS:	:*RUNDOWN	R7, TRACK 4, REV, TIC *3416.06 +/- 1	4R3	4	0	0	4,019,263:11:0	
4172	97	179	13:18:20.600		175LD6A	DMS:	:*READY	RDY, TRACK 4, REV, TIC *3416.00 +/- 1	4R3	4	0	0	4,019,263:12:8	
4173	97	179	13:20:02.799		C9JNTHRCYL06-127LQ	NIM5TAB	GS	%%-%-%-% GROUP START TAB	4R3	4	0	0	4,019,266:84:0	
4174	97	179	13:22:10.066		127LQ4A	37ETB	CD,02.03,FF,1A,	Loads wavelength edit table	4R3	4	0	0	4,019,266:85:0	
4175	97	179	13:22:10.733		165LE4A	7SCAN	NORM:39.636,17.8	Check S/P Position	4R3	4	0	0	4,019,266:90:0	
4176	97	179	13:22:14.066		127LQ11A	NIM5TAB	GE	%%-%-%-% GROUP END TAB	4R3	4	0	0	4,019,267:06:0	
4177	97	179	13:22:18.733		127LQ11A	DMS:	:*US-RUNUP	P7, TRACK *1, *FWD, TIC 3416.00 +/- 1	4R3	4	0	0	4,019,267:73:0	
4178	97	179	13:23:03.400						4R3	4	0	0	4,019,267:73:0	

Line	YR	DOY	SCET - GMT	PSID	Command	Parameters	Description	GCM	GO	GS	RIM	MFI
4179	97	179	13:23:03.400	175LE422A6A	6DMSC	R7,0	DMS Control Tape runup 7.68kps	4R3	4	0	4,019,267:730	
4180	97	179	13:23:04.800		DMS:	:*US_AT_SP	P7, TRACK 1, FWD, TIC *3416.12 +/- 1	4R3	4	0	4,019,267:751	
4181	97	179	13:23:06.066	117LE	CSMOS	GS	***** GROUP START CSMOS	4R3	4	0	4,019,267:770	
4182	97	179	13:23:10.066		DMS:	:*US_RD	P7, TRACK 1, FWD, TIC *3417.36 +/- 1	4R3	4	0	4,019,267:830	
4183	97	179	13:23:11.266		DMS:	:*RUNUP	P7, TRACK *4, *REV, TIC *3417.42 +/- 1	4R3	4	0	4,019,267:848	
4184	97	179	13:23:12.066	175LE176A6A	6TMREC	LPD	7.68 KBPS NIMS-UVS-PPR RECORD Record Mode	4R3	4	0	4,019,267:860	
4185	97	179	13:23:12.666		DMS:	:*AT_SPD	P7, TRACK 4, REV, TIC 3417.30 +/- 1	4R3	4	0	4,019,267:869	
4186	97	179	13:23:12.666		DMS:	:*RECORD	P7, TRACK 4, REV, TIC *3417.30 +/- 1	4R3	4	0	4,019,267:869	
4187	97	179	13:23:15.400	C9JNTHRCYL06-	NIMPBK	301FE	JUPITER THERMAL CYCLE MAP PART 6	4R3	4	0	:	:
4188	97	179	13:23:15.400	117LE105A106A4A	7STRP	0.040021,0.0,0.0	Slew = -0.03	4R3	4	0	4,019,268:000	
4189	97	179	13:45:27.400	C9JNTHRCYL06-	DESEL	300FE	JUPITER THERMAL CYCLE MAP PART 6	4R3	4	0	:	:
4190	97	179	13:45:37.400	175LE6A	6TMREC	NRC	NO RECORD Record Mode Change	4R3	4	0	4,019,290:110	
4191	97	179	13:45:37.400		DMS:	:*RUNDOWN	P7, TRACK 4, REV, TIC *3102.13 +/- 1	4R3	4	0	4,019,290:110	
4192	97	179	13:45:37.400	175LE422A6B	6DMSC	RDY,0	DMS Control Tape stop	4R3	4	0	4,019,290:110	
4193	97	179	13:45:38.600		DMS:	:*READY	RDY, TRACK 4, REV, TIC *3102.07 +/- 1	4R3	4	0	4,019,290:128	
4194	97	179	13:45:46.066	117LE11A	CSMOS	GE	***** GROUP END CSMOS	4R3	4	0	4,019,290:240	
4195	97	179	13:46:03.466	C9JNTHRCYL06-		-----STOP-----		4R3	4	0	:	:
4196	97	179	13:50:22.066	175MB422A6A	6DMSC	R7,0	DMS Control Tape runup 7.68kps	4R3	4	0	4,019,294:740	
4197	97	179	13:50:22.066		DMS:	:*US-RUNUP	P7, TRACK *1, *FWD, TIC 3102.07 +/- 1	4R3	4	0	4,019,294:740	
4198	97	179	13:50:23.466		DMS:	:*US_AT_SP	P7, TRACK 1, FWD, TIC *3102.19 +/- 1	4R3	4	0	4,019,294:761	
4199	97	179	13:50:28.733		DMS:	:*US_RD	P7, TRACK 1, FWD, TIC *3103.42 +/- 1	4R3	4	0	4,019,294:840	
4200	97	179	13:50:29.933		DMS:	:*RUNUP	P7, TRACK *4, *REV, TIC *3103.48 +/- 1	4R3	4	0	4,019,294:858	
4201	97	179	13:50:30.733	282NF431A6A	6RCSEL	DDSNCG,PLSSEL,EP	Record Select (DDS on)	4R3	4	0	4,019,294:870	
4202	97	179	13:50:30.733	175MB176A6A	6TMREC	LPW	7.68 KBPS LOW RATE SCI PWS RECORD Record	4R3	4	0	4,019,294:870	
4203	97	179	13:50:31.333		DMS:	:*RECORD	P7, TRACK 4, REV, TIC *3103.36 +/- 1	4R3	4	0	4,019,294:879	
4204	97	179	13:50:31.333		DMS:	:*AT_SPD	P7, TRACK 4, REV, TIC 3103.36 +/- 1	4R3	4	0	4,019,294:879	
4205	97	179	13:50:33.400	4310G6A	6RCSEL	DDSNCG,PLSNCG,EP	Record Select (DDS on)	4R3	4	0	4,019,295:000	
4206	97	179	14:05:42.733	165AS4A	7SCAN	NORM,39.5,14.5,1	Check S/P Position	4R3	4	0	4,019,309:900	
4207	97	179	14:05:47.466	C9JNAURVAR01+		-----START-----		4R3	4	0	:	:
4208	97	179	14:06:39.400	125LG4A	37MB	1B,1B,0,0,0,0	Selects mirror (spatial) edit table	4R3	4	0	4,019,310:840	
4209	97	179	14:06:39.400	125LG11A	NIMSNIT	GE	##### GROUP END INIT	4R3	4	0	4,019,310:840	
4210	97	179	14:06:39.400	125LG	NIMSNIT	GS	##### GROUP START INIT	4R3	4	0	4,019,310:840	
4211	97	179	14:07:40.066	127LG	NIMSTAB	GS	%%-%-%-% GROUP START TAB	4R3	4	0	4,019,311:840	
4212	97	179	14:07:40.733	127LG4A	37ETB	04,C4,35,FF,FF	Loads wavelength edit table	4R3	4	0	4,019,311:850	
4213	97	179	14:07:48.733	127LG11A	NIMSTAB	GE	%%-%-%-% GROUP END TAB	4R3	4	0	4,019,312:060	
4214	97	179	14:08:04.733	432EM6A	6RTSL2	NIMSEL,AACNCG,RT	NIMS R/T SELECT	4R3	4	0	4,019,312:300	
4215	97	179	14:09:36.733	117AS	CSMOS	GS	***** GROUP START CSMOS	4R3	4	0	4,019,313:770	
4216	97	179	14:09:46.066	117AS105A106A4A	7STRP	-0.110446,0.0,0.0,	Slew =0.0,1	4R3	4	0	4,019,314:000	
4217	97	179	14:13:06.733	432EN6A	6RTDS2	NIMDSL,AACNCG,RT	NIMS R/T DESELECT	4R3	4	0	4,019,317:280	
4218	97	179	14:14:44.733	125LH4A	37MB	0,0,0,0,0,0	Selects mirror (spatial) edit table	4R3	4	0	4,019,318:840	
4219	97	179	14:14:44.733	125LH	NIMSNIT	GS	##### GROUP START INIT	4R3	4	0	4,019,318:840	
4220	97	179	14:14:44.733	125LH11A	NIMSNIT	GE	##### GROUP END INIT	4R3	4	0	4,019,318:840	
4221	97	179	14:29:29.400	117AS105A106A4B	7STRP	0.100335,0.0,0.0,	Slew =12.01	4R3	4	0	4,019,333:460	
4222	97	179	14:29:59.400	117AS105A106A4C	7STRP	-0.110446,0.0,0.0,	Slew =0.0,1	4R3	4	0	4,019,334:000	
4223	97	179	14:40:10.132	C9JNAURVAR01+		-----STOP-----		4R3	4	0	:	:
4224	97	179	14:49:42.733	117AS11A	CSMOS	GE	***** GROUP END CSMOS	4R3	4	0	4,019,353:460	
4225	97	179	14:51:15.400	432OC431A6A	6RCDSL	DDSNCG,PLSNCG,EP	Record Deselect (DDS o	4R3	4	0	4,019,355:030	
4226	97	179	14:51:16.066	432OC6A	6RTSL1		R/T Select of DDS and	4R3	4	0	4,019,355:040	
4227	97	179	14:51:19.400	282NG431A6A	6RCDSL	DDSNCG,PLSDSL,EP	Record Deselect (DDS o	4R3	4	0	4,019,355:090	
4228	97	179	14:51:25.400		DMS:	:*RUNDOWN	P7, TRACK 4, REV, TIC *2246.94 +/- 1	4R3	4	0	4,019,355:180	
4229	97	179	14:51:25.400	175MB422A6B	6DMSC	RDY,0	DMS Control Tape stop	4R3	4	0	4,019,355:180	
4230	97	179	14:51:26.600		DMS:	:*READY	RDY, TRACK 4, REV, TIC *2246.88 +/- 1	4R3	4	0	4,019,355:198	
4231	97	179	14:52:08.733	282NG432A431A6A	6RCDSL	DDSNCG,PLSDSL,EP	Record Deselect (DDS o	4R3	4	0	4,019,355:830	
4232	97	179	14:52:09.400	282NG432A6A	6RTSL1		R/T Select of DDS and	4R3	4	0	4,019,355:840	
4233	97	179	15:00:00.066	488AC6A	6TMSED	NORM,IL8	Sci, Eng, and D/L Chan	4R3	4	0	4,019,363:620	

Line	YR	DOY	SCET - GMT	PSID	Command	Parameters	Description	GCM	GO	GS	RIM	MFI
4234	97	179	15:00:23.466	C9JNTHRCYL07-165LF4A	7SCAN	NORM,42.672,18.7	Check S/P Position	4R3	4	0	:	:
4235	97	179	15:01:19.400	127LF	NIMSTAB	GS	%%%GROUP START TAB	4R3	4	0	4,019,367.84:0	
4236	97	179	15:04:17.400	127LF4A	37ETB	CD,02,03,FF,1A,	Loads wavelength edit table	4R3	4	0	4,019,367.85:0	
4237	97	179	15:04:18.066	127LF11A	NIMSTAB	GE	%%%GROUP END TAB	4R3	4	0	4,019,368.06:0	
4238	97	179	15:04:26.066	175LF422A6A	6DMSC	R7,0	DMS Control Tape runup 7.68kps	4R3	4	0	4,019,368.73:0	
4239	97	179	15:05:10.733		DMS:	:*US-RUNUP	P7, TRACK 1, *FWD, TIC 2246.88 +/- 1	4R3	4	0	4,019,368.73:0	
4240	97	179	15:05:10.733		DMS:	:*US AT SP	P7, TRACK 1, FWD, TIC *2247.00 +/- 1	4R3	4	0	4,019,368.75:1	
4241	97	179	15:05:12.133	117LF	CSMOS	GS	**** GROUP START CSMOS	4R3	4	0	4,019,368.77:0	
4242	97	179	15:05:13.400		DMS:	:*US RD	P7, TRACK 1, FWD, TIC *2248.23 +/- 1	4R3	4	0	4,019,368.83:0	
4243	97	179	15:05:17.400		DMS:	:*RUNUP	R7, TRACK 4, *REV, TIC *2248.29 +/- 1	4R3	4	0	4,019,368.84:8	
4244	97	179	15:05:18.600		DMS:	:*RECORD	7.68 KBPS NIMS-UVS-PPR RECORD Record Mode	4R3	4	0	4,019,368.86:0	
4245	97	179	15:05:19.400	175LF176A6A	6TMREC	LPD	R7, TRACK 4, REV, TIC *2248.17 +/- 1	4R3	4	0	4,019,368.86:9	
4246	97	179	15:05:20.000		DMS:	:*AT SPD	R7, TRACK 4, REV, TIC 2248.17 +/- 1	4R3	4	0	4,019,368.86:9	
4247	97	179	15:05:20.000		DMS:	:*STOP	Slew = -0.03	4R3	4	0	4,019,369.00:0	
4248	97	179	15:05:22.733	117LF105A106A4A	7STRP	0.040472,0.0,0.0		4R3	4	0	:	:
4249	97	179	15:05:22.733	C9JNTHRCYL07-	NIMPBK	300FF	JUPITER THERMAL CYCLE MAP PART 7	4R3	4	0	:	:
4250	97	179	15:26:51.400	C9JNTHRCYL07-	DESEL	300FF	JUPITER THERMAL CYCLE MAP PART 7	4R3	4	0	:	:
4251	97	179	15:27:01.400		DMS:	:*RUNDOWN	R7, TRACK 4, REV, TIC *1943.16 +/- 1	4R3	4	0	4,019,390.37:0	
4252	97	179	15:27:01.400	175LF6A	6TMREC	NRC	NO RECORD Record Mode Change	4R3	4	0	4,019,390.37:0	
4253	97	179	15:27:01.400	175LF422A6B	6DMSC	RDY,0	DMS Control Tape stop	4R3	4	0	4,019,390.37:0	
4254	97	179	15:27:02.600		DMS:	:*READY	RDY, TRACK 4, REV, TIC *1943.10 +/- 1	4R3	4	0	4,019,390.38:8	
4255	97	179	15:27:53.400	117LF11A	CSMOS	GE	**** GROUP END CSMOS	4R3	4	0	4,019,391.24:0	
4256	97	179	15:33:45.466	C9JNGRS09501-	7SCAN	NORM,46.509,18.3	Check S/P Position	4R3	4	0	:	:
4257	97	179	15:34:41.400	165LG4A	7SCAN	NORM,46.509,18.3	Check S/P Position	4R3	4	0	4,019,397.90:0	
4258	97	179	15:34:46.132	C9JNTHRCYL07-	NIMSNIT	GE	##### GROUP END INIT	4R3	4	0	:	:
4259	97	179	15:36:38.733	125DR11A	37IST	1.2,0,OFF,0,1,0	Chopper ON, Sync, Chopper (Ref)Gain State	2R3	4	0	4,019,399.84:0	
4260	97	179	15:36:38.733	125DR4A	NIMSNIT	GS	##### GROUP START INIT	2R3	4	0	4,019,399.84:0	
4261	97	179	15:36:38.733	125DR	37IOP	5,1	Short Map, Grating Start Position =01	2R5	4	1	4,019,400.84:0	
4262	97	179	15:37:39.400	127DR4A	NIMSTAB	GS	%%%GROUP START TAB	2R5	4	1	4,019,400.84:0	
4263	97	179	15:37:39.400	127DR	37ETB		Loads wavelength edit table	2R5	4	1	4,019,400.85:0	
4264	97	179	15:37:40.066	127DR4B	NIMSTAB	GE	%%%GROUP END TAB	2R5	4	1	4,019,401.06:0	
4265	97	179	15:37:48.066	127DR11A	6DMSC	R7,0	DMS Control Tape runup 7.68kps	2R5	4	1	4,019,401.73:0	
4266	97	179	15:38:32.733	175LG422A6A	DMS:	:*US-RUNUP	P7, TRACK 1, *FWD, TIC 1943.10 +/- 1	2R5	4	1	4,019,401.73:0	
4267	97	179	15:38:32.733		DMS:	:*US AT SP	P7, TRACK 1, FWD, TIC *1943.22 +/- 1	2R5	4	1	4,019,401.75:1	
4268	97	179	15:38:34.133	117LG	CSMOS	GS	**** GROUP START CSMOS	2R5	4	1	4,019,401.77:0	
4269	97	179	15:38:35.400		DMS:	:*US RD	P7, TRACK 1, FWD, TIC *1944.45 +/- 1	2R5	4	1	4,019,401.83:0	
4270	97	179	15:38:39.400		DMS:	:*RUNUP	R7, TRACK 4, *REV, TIC *1944.51 +/- 1	2R5	4	1	4,019,401.84:8	
4271	97	179	15:38:40.600	175LG176A6A	6TMREC	LPD	7.68 KBPS NIMS-UVS-PPR RECORD Record Mode	2R5	4	1	4,019,401.86:0	
4272	97	179	15:38:41.400		DMS:	:*RECORD	R7, TRACK 4, REV, TIC *1944.39 +/- 1	2R5	4	1	4,019,401.86:9	
4273	97	179	15:38:42.000		DMS:	:*AT SPD	R7, TRACK 4, REV, TIC 1944.39 +/- 1	2R5	4	1	4,019,401.86:9	
4274	97	179	15:38:42.000		DMS:	:*STOP	JUPITER GREAT RED SPOT 95 DEGREE	2R5	4	1	:	:
4275	97	179	15:38:44.733	C9JNGRS09501-	NIMPBK	301FG	Slew =-0.11	2R5	4	1	4,019,402.00:0	
4276	97	179	15:38:44.733	117LG105A106A4A	7STRP	0.021703,0.0,0.0		2R5	4	1	4,019,402.00:0	
4277	97	179	15:42:04.733	C9JNGRS09501-	DESEL	300FG	JUPITER GREAT RED SPOT 95 DEGREE	2R5	4	1	:	:
4278	97	179	15:42:04.733	117LG11A	CSMOS	GE	**** GROUP END CSMOS	2R5	4	1	4,019,405.27:0	
4279	97	179	15:42:16.733		DMS:	:*RUNDOWN	R7, TRACK 4, REV, TIC *1894.06 +/- 1	2R5	4	1	4,019,405.45:0	
4280	97	179	15:42:16.733	175LG422A6B	6DMSC	RDY,0	DMS Control Tape stop	2R5	4	1	4,019,405.45:0	
4281	97	179	15:42:16.733	175LG6A	6TMREC	NRC	NO RECORD Record Mode Change	2R5	4	1	4,019,405.45:0	
4282	97	179	15:42:17.933		DMS:	:*READY	RDY, TRACK 4, REV, TIC *1894.00 +/- 1	2R5	4	1	4,019,405.46:8	
4283	97	179	15:42:46.733	165HM4A	7SCAN	NORM,45.511,18.3	Check S/P Position	2R5	4	1	4,019,405.90:0	
4284	97	179	15:43:38.733	117HM	CSMOS	GS	**** GROUP START CSMOS	2R5	4	1	4,019,406.77:0	
4285	97	179	15:43:48.066	176HM6A	6TMREC	BPT	7.68 KBPS PPR BURST TO TAPE Record Mode C	2R5	4	1	4,019,407.00:0	
4286	97	179	15:43:48.066	117HM105A106A4A	7STRP	-0.026006,0.0,0.0	Slew =-0.21	2R5	4	1	4,019,407.00:0	
4287	97	179	15:43:52.132	C9JNGRS09501-	7STRP	0.025806,0.0015,	Slew =12.01	2R5	4	1	:	:
4288	97	179	15:45:56.066	117HM105A106A4B	7STRP	0.025806,0.0015,	Slew =12.01	2R5	4	1	4,019,409.10:0	

Line	YR	DOY	SCET - GMT	PSID	Command	Parameters	Description	GCM	GO	GS	RIM	MFI
4289	97	179	15:46:02.733	117HM105A106A4C	7STRP	-0.026006,0.0,0.0	Slew = 0.21	2R5	4	1	4,019,409:20:0	
4290	97	179	15:48:10.733	117HM105A106A4D	7STRP	0.025806,0.0015,	Slew = 12.01	2R5	4	1	4,019,411:30:0	
4291	97	179	15:48:17.400	117HM105A106A4E	7STRP	-0.026006,0.0,0.0	Slew = 0.21	2R5	4	1	4,019,411:40:0	
4292	97	179	15:50:25.400	117HM105A106A4F	7STRP	0.025806,0.0015,	Slew = 12.01	2R5	4	1	4,019,413:50:0	
4293	97	179	15:50:32.066	117HM105A106A4G	7STRP	-0.026006,0.0,0.0	Slew = 0.21	2R5	4	1	4,019,413:60:0	
4294	97	179	15:52:40.066	117HM105A106A4H	7STRP	0.025806,0.0015,	Slew = 12.01	2R5	4	1	4,019,415:70:0	
4295	97	179	15:52:46.733	117HM105A106A4I	7STRP	-0.026006,0.0,0.0	Slew = 0.21	2R5	4	1	4,019,415:80:0	
4296	97	179	15:54:54.066	431ZL6A	6RCDSL	DDSNCG,PLSNCG,EP	Record Deselect (DDS o	2R5	4	1	4,019,417:89:0	
4297	97	179	15:54:54.733	117HM105A106A4J	7STRP	0.025806,0.0015,	Slew = 12.01	2R5	4	1	4,019,417:90:0	
4298	97	179	15:55:01.400	117HM105A106A4K	7STRP	-0.026006,0.0,0.0	Slew = 0.21	2R5	4	1	4,019,418:09:0	
4299	97	179	15:57:09.400	117HM105A106A4L	7STRP	0.025806,0.0015,	Slew = 12.01	2R5	4	1	4,019,420:19:0	
4300	97	179	15:57:16.066	117HM105A106A4M	7STRP	-0.026006,0.0,0.0	Slew = 0.21	2R5	4	1	4,019,420:29:0	
4301	97	179	15:59:02.066	20ZM6A	6EUVON			2R5	4	1	4,019,422:06:0	
4302	97	179	15:59:24.066	117HM11A	CSMOS	GE	***** GROUP END CSMOS	2R5	4	1	4,019,422:39:0	
4303	97	179	15:59:58.733	431ZM6A	6RCSEL	DDSNCG,PLSNCG,EP	Record Select (DDS onl	2R5	4	1	4,019,423:00:0	
4304	97	179	16:01:00.733		DMS:	*US-RUNUP	P7, TRACK *1,*FWD, TIC 1894.00 +/- 1	2R5	4	1	4,019,424:02:0	
4305	97	179	16:01:00.733	50ZZ6XX	6DMSC	R7.0	DMS Control Tape runup 7.68kps	2R5	4	1	4,019,424:02:0	
4306	97	179	16:01:02.133		DMS:	*US_AT_SP	P7, TRACK 1, FWD, TIC *1894.12 +/- 1	2R5	4	1	4,019,424:04:1	
4307	97	179	16:01:07.400		DMS:	*US_RD	P7, TRACK 1, FWD, TIC *1895.36 +/- 1	2R5	4	1	4,019,424:12:0	
4308	97	179	16:01:08.600		DMS:	*RUNUP	R7, TRACK *4,*REV, TIC *1895.42 +/- 1	2R5	4	1	4,019,424:13:8	
4309	97	179	16:01:10.000		DMS:	*AT_SPD	R7, TRACK 4, REV, TIC *1895.30 +/- 1	2R5	4	1	4,019,424:15:9	
4310	97	179	16:01:36.066		DMS:	*RECORD	R7, TRACK 4, REV, TIC *1889.19 +/- 1	2R5	4	1	4,019,424:55:0	
4311	97	179	16:01:58.733	176HM6B	6TMREC	NRC	NO RECORD Record Mode Change	2R5	4	1	4,019,424:89:0	
4312	97	179	16:01:58.733	50ZZ6RD	6DMSC	RDY.0	DMS Control Tape stop	2R5	4	1	4,019,424:89:0	
4313	97	179	16:01:58.733		DMS:	*RUNDOWN	R7, TRACK 4, REV, TIC *1883.88 +/- 1	2R5	4	1	4,019,424:89:0	
4314	97	179	16:01:59.933		DMS:	*READY	RDY, TRACK 4, REV, TIC *1883.82 +/- 1	2R5	4	1	4,019,424:90:8	
4315	97	179	16:03:04.799	C9JNGRS09502-		-----START-----		2R5	4	1	:	:
4316	97	179	16:04:00.733	165L14A	7SCAN	NORM,46.51,18.65	Check S/P Position	2R5	4	1	4,019,426:90:0	
4317	97	179	16:07:52.066	175L1422A6A	6DMSC	R7.0	DMS Control Tape runup 7.68kps	2R5	4	1	4,019,430:73:0	
4318	97	179	16:07:52.066		DMS:	*US-RUNUP	P7, TRACK *1,*FWD, TIC 1883.82 +/- 1	2R5	4	1	4,019,430:73:0	
4319	97	179	16:07:53.466		DMS:	*US_AT_SP	P7, TRACK 1, FWD, TIC *1883.94 +/- 1	2R5	4	1	4,019,430:75:1	
4320	97	179	16:07:54.733	117LI	CSMOS	GS	***** GROUP START CSMOS	2R5	4	1	4,019,430:77:0	
4321	97	179	16:07:58.733		DMS:	*US_RD	P7, TRACK 1, FWD, TIC *1885.17 +/- 1	2R5	4	1	4,019,430:83:0	
4322	97	179	16:07:59.933		DMS:	*RUNUP	R7, TRACK *4,*REV, TIC *1885.23 +/- 1	2R5	4	1	4,019,430:84:8	
4323	97	179	16:08:00.733	175L1176A6A	6TMREC	LPU	7.68 KBPS NIMS-UVS-PPR RECORD Record Mode	2R5	4	1	4,019,430:86:0	
4324	97	179	16:08:01.333		DMS:	*AT_SPD	R7, TRACK 4, REV, TIC 1885.11 +/- 1	2R5	4	1	4,019,430:86:9	
4325	97	179	16:08:01.333		DMS:	*RECORD	R7, TRACK 4, REV, TIC *1885.11 +/- 1	2R5	4	1	4,019,430:86:9	
4326	97	179	16:08:04.066	117LI105A106A4A	7STRP	0.021703,0.0,0.0	Slew = 0.11	2R5	4	1	4,019,431:00:0	
4327	97	179	16:08:04.066	C9JNGRS09502-	NIMPBK	301FH	JUPITER GREAT RED SPOT 95 DEGREE	2R5	4	1	:	:
4328	97	179	16:11:24.066	117LI105A106A4B	7STRP	-0.021703,0.0008,	Slew = 12.01	2R5	4	1	4,019,434:27:0	
4329	97	179	16:11:37.400	117LI105A106A4C	7STRP	0.021703,0.0,0.0	Slew = 0.11	2R5	4	1	4,019,434:47:0	
4330	97	179	16:14:28.066	C9JNGRS09502-	DESEL	300FH	JUPITER GREAT RED SPOT 95 DEGREE	2R5	4	1	:	:
4331	97	179	16:14:38.066	175LI6A	6TMREC	NRC	NO RECORD Record Mode Change	2R5	4	1	4,019,437:45:0	
4332	97	179	16:14:38.066		DMS:	*RUNDOWN	R7, TRACK 4, REV, TIC *1792.13 +/- 1	2R5	4	1	4,019,437:45:0	
4333	97	179	16:14:38.066	175LI422A6B	6DMSC	RDY.0	DMS Control Tape stop	2R5	4	1	4,019,437:45:0	
4334	97	179	16:14:39.266		DMS:	*READY	RDY, TRACK 4, REV, TIC *1792.07 +/- 1	2R5	4	1	4,019,437:46:8	
4335	97	179	16:14:57.400	117LI11A	CSMOS	GE	***** GROUP END CSMOS	2R5	4	1	4,019,437:74:0	
4336	97	179	16:16:13.466	C9JNGRS09502-		-----STOP-----		2R5	4	1	:	:
4337	97	179	16:59:37.400	165CG4A	7SCAN	NORM,28.769,13.5	Check S/P Position	2R5	4	1	4,019,481:90:0	
4338	97	179	17:03:39.400	165CG4B	7VECT		Inert vect update UTC	2R5	4	1	4,019,485:89:0	
4339	97	179	17:24:54.066	165CH4A	7SCAN	NORM,29.521,13.8	Check S/P Position	2R5	4	1	4,019,506:90:0	
4340	97	179	17:28:56.066	165CH4B	7VECT		Inert vect update UTC	2R5	4	1	4,019,510:89:0	
4341	97	179	17:47:08.733	165HN4A	7SCAN	NORM,48.536,17.2	Check S/P Position	2R5	4	1	4,019,528:90:0	
4342	97	179	17:51:02.733	117HN	CSMOS	GS	***** GROUP START CSMOS	2R5	4	1	4,019,532:77:0	
4343	97	179	17:51:12.066	176HN6A	6TMREC	BPT	7.68 KBPS PPR BURST TO TAPE Record Mode C	2R5	4	1	4,019,533:00:0	

Line	YR	DOY	SCET - GMT	PSID	Command	Parameters	Description	GCM	GO	GS	RIM	MFI
4344	97	179	17:51:12.066	117HN105A106A4A	7STRP	-0.014001,-0.043	Slew =,0.04	2R5	4	1	4,019,533:00:0	
4345	97	179	18:08:24.733		DMS:	:*US-RUNUP	P7, TRACK *1, *FWD, TIC 1792.07 +/- 1	2R5	4	1	4,019,550:02:0	
4346	97	179	18:08:24.733	50ZZ6XX	6DMSC	R7,0	DMS Control Tape runup 7.68kps	2R5	4	1	4,019,550:02:0	
4347	97	179	18:08:26.133		DMS:	:*US_AT_SP	P7, TRACK 1, FWD, TIC *1792.19 +/- 1	2R5	4	1	4,019,550:04:1	
4348	97	179	18:08:31.400		DMS:	:*US_RD	P7, TRACK 1, FWD, TIC *1793.42 +/- 1	2R5	4	1	4,019,550:12:0	
4349	97	179	18:08:32.600		DMS:	:*RUNUP	R7, TRACK *4, *REV, TIC *1793.48 +/- 1	2R5	4	1	4,019,550:13:8	
4350	97	179	18:08:34.000		DMS:	:*AT_SPD	R7, TRACK 4, REV, TIC *1793.36 +/- 1	2R5	4	1	4,019,550:15:9	
4351	97	179	18:09:00.066		DMS:	:*RECORD	R7, TRACK 4, REV, TIC *1787.25 +/- 1	2R5	4	1	4,019,550:55:0	
4352	97	179	18:09:22.733	50ZZ6RE	6DMSC	RDY,0	DMS Control Tape stop	2R5	4	1	4,019,550:89:0	
4353	97	179	18:09:23.933		DMS:	:*RUNDOWN	R7, TRACK 4, REV, TIC *1781.94 +/- 1	2R5	4	1	4,019,550:89:0	
4354	97	179	18:09:23.933		DMS:	:*READY	RDY, TRACK 4, REV, TIC *1781.88 +/- 1	2R5	4	1	4,019,550:90:8	
4355	97	179	18:09:24.066	117HN105A106B4A	7STRP	0.001,0.0,0.0,0.0	Slew =12.01	2R5	4	1	4,019,551:00:0	
4356	97	179	18:09:30.066	117HN105A106B4B	7STRP	0.0,-0.0,0.050042,0.0	Slew =,0.04	2R5	4	1	4,019,551:09:0	
4357	97	179	18:26:16.066		DMS:	:*US-RUNUP	P7, TRACK *1, *FWD, TIC 1781.88 +/- 1	2R5	4	1	4,019,567:62:0	
4358	97	179	18:26:16.066	50ZZ6XX	6DMSC	R7,0	DMS Control Tape runup 7.68kps	2R5	4	1	4,019,567:62:0	
4359	97	179	18:26:17.466		DMS:	:*US_AT_SP	P7, TRACK 1, FWD, TIC *1782.00 +/- 1	2R5	4	1	4,019,567:64:1	
4360	97	179	18:26:22.733		DMS:	:*US_RD	P7, TRACK 1, FWD, TIC *1783.23 +/- 1	2R5	4	1	4,019,567:72:0	
4361	97	179	18:26:23.933		DMS:	:*RUNUP	R7, TRACK *4, *REV, TIC *1783.29 +/- 1	2R5	4	1	4,019,567:73:8	
4362	97	179	18:26:25.333		DMS:	:*AT_SPD	R7, TRACK 4, REV, TIC *1783.17 +/- 1	2R5	4	1	4,019,567:75:9	
4363	97	179	18:26:50.733		DMS:	:*RECORD	R7, TRACK 4, REV, TIC *1777.22 +/- 1	2R5	4	1	4,019,568:23:0	
4364	97	179	18:27:13.400	50ZZ6RD	6DMSC	RDY,0	DMS Control Tape stop	2R5	4	1	4,019,568:57:0	
4365	97	179	18:27:13.400		DMS:	:*RUNDOWN	R7, TRACK 4, REV, TIC *1771.91 +/- 1	2R5	4	1	4,019,568:57:0	
4366	97	179	18:27:14.600		DMS:	:*READY	RDY, TRACK 4, REV, TIC *1771.85 +/- 1	2R5	4	1	4,019,568:58:8	
4367	97	179	18:30:36.733	117HN11A	CSMOS	GE	***** GROUP END CSMOS	2R5	4	1	4,019,571:89:0	
4368	97	179	18:31:37.400	176HN6B	6TMREC	NRC	NO RECORD Record Mode Change	2R5	4	1	4,019,572:89:0	
4369	97	179	18:31:39.400	50ZZ6XX	6DMSC	R7,0	DMS Control Tape runup 7.68kps	2R5	4	1	4,019,573:01:0	
4370	97	179	18:31:39.400		DMS:	:*US-RUNUP	P7, TRACK *1, *FWD, TIC 1771.85 +/- 1	2R5	4	1	4,019,573:01:0	
4371	97	179	18:31:40.800		DMS:	:*US_AT_SP	P7, TRACK 1, FWD, TIC *1771.97 +/- 1	2R5	4	1	4,019,573:03:1	
4372	97	179	18:31:46.066		DMS:	:*US_RD	P7, TRACK 1, FWD, TIC *1773.20 +/- 1	2R5	4	1	4,019,573:11:0	
4373	97	179	18:31:47.266		DMS:	:*RUNUP	R7, TRACK *4, *REV, TIC *1773.26 +/- 1	2R5	4	1	4,019,573:12:8	
4374	97	179	18:31:48.666		DMS:	:*AT_SPD	R7, TRACK 4, REV, TIC *1773.14 +/- 1	2R5	4	1	4,019,573:14:9	
4375	97	179	18:31:49.400		DMS:	:*RECORD	R7, TRACK 4, REV, TIC *1772.97 +/- 1	2R5	4	1	4,019,573:16:0	
4376	97	179	18:32:02.066	50ZZ6RE	6DMSC	RDY,0	DMS Control Tape stop	2R5	4	1	4,019,573:35:0	
4377	97	179	18:32:02.066		DMS:	:*RUNDOWN	R7, TRACK 4, REV, TIC *1770.00 +/- 1	2R5	4	1	4,019,573:35:0	
4378	97	179	18:32:03.266		DMS:	:*READY	RDY, TRACK 4, REV, TIC *1769.94 +/- 1	2R5	4	1	4,019,573:36:8	
4379	97	179	18:32:38.733	165JO4A	7SCAN	NORM,31.312,14.4	Check S/P Position	2R5	4	1	4,019,573:90:0	
4380	97	179	18:35:40.066	165JO4B	7VECT		Inert vect update UTC	2R5	4	1	4,019,576:89:0	
4381	97	179	18:35:45.400	118JQ	SMOS	GS		2R5	4	1	4,019,577:06:0	
4382	97	179	18:35:58.066	118JQ110A111A4A	7STRP	-0.0035,0.0,0.92,0	Slew =,3.01	2R5	4	1	4,019,577:25:0	
4383	97	179	18:36:28.733	118JQ111A	SMOS	GE		2R5	4	1	4,019,577:71:0	
4384	97	179	18:36:33.400		DMS:	:*US-RUNUP	P7, TRACK *1, *FWD, TIC 1769.94 +/- 1	2R5	4	1	4,019,577:78:0	
4385	97	179	18:36:33.400	175JM422A6A	6DMSC	R15,0	DMS Control Tape runup 115.2kb	2R5	4	1	4,019,577:78:0	
4386	97	179	18:36:34.800		DMS:	:*US_AT_SP	P7, TRACK 1, FWD, TIC *1770.06 +/- 1	2R5	4	1	4,019,577:80:1	
4387	97	179	18:36:40.066		DMS:	:*US_RD	P7, TRACK 1, FWD, TIC *1771.30 +/- 1	2R5	4	1	4,019,577:88:0	
4388	97	179	18:36:41.266		DMS:	:*RUNUP	R115, TRACK *4, *REV, TIC *1771.36 +/- 1	2R5	4	1	4,019,577:89:8	
4389	97	179	18:36:44.733	175JM176A6A	6TMREC	HMA	115.2 KBPS IMAGE(1-400)RECORD Record Mode	2R5	4	1	4,019,578:04:0	
4390	97	179	18:36:45.266		DMS:	:*AT_SPD	R115, TRACK 4, REV, TIC 1765.06 +/- 1	2R5	4	1	4,019,578:04:8	
4391	97	179	18:36:45.266		DMS:	:*RECORD	R115, TRACK 4, REV, TIC *1765.06 +/- 1	2R5	4	1	4,019,578:04:8	
4392	97	179	18:37:13.400		DMS:	:*RUNDOWN	R115, TRACK 4, REV, TIC *1666.15 +/- 1	2R5	4	1	4,019,578:47:0	
4393	97	179	18:37:13.400	175JM422A6B	6DMSC	RDY,0	DMS Control Tape stop	2R5	4	1	4,019,578:47:0	
4394	97	179	18:37:14.600		DMS:	:*READY	RDY, TRACK 4, REV, TIC *1665.15 +/- 1	2R5	4	1	4,019,578:48:8	
4395	97	179	18:37:46.799	C9INCHEMIS06-		*****START*****		2R5	4	1	:	:
4396	97	179	18:38:42.733	165LK4A	7SCAN	NORM,31.699,14.7	Check S/P Position	2R5	4	1	4,019,579:90:0	
4397	97	179	18:41:40.733	127EL4A	37IOP	3,0	Long Map, Grating Start Position =00	2R3	4	0	4,019,582:84:0	
4398	97	179	18:41:40.733	127EL	NIMSTAB	GS	%%/%/% GROUP START TAB	2R3	4	0	4,019,582:84:0	

Line	YR	DOY	SCET - GMT	PSID	Command	Parameters	Description	GCM	GO	GS	RIM	MFI
4399	97	179	18:41:41.400	127EL4B	37ETB	07,C7,02,25,80,0	Loads wavelength edit table	2R3	4	0	4,019,582:85:0	
4400	97	179	18:41:49.400	127EL11A	NIMSTAB	GE	%%%GROUP END TAB	2R3	4	0	4,019,583:06:0	
4401	97	179	18:42:34.066	175LK422A6A	6DMSC	R7,0	DMS Control Tape runup 7.68kps	2R3	4	0	4,019,583:73:0	
4402	97	179	18:42:34.066		DMS:	:*US-RUNUP	P7, TRACK *1, *FWD, TIC 1665.15 +/- 1	2R3	4	0	4,019,583:73:0	
4403	97	179	18:42:35.466		DMS:	:*US_AT_SP	P7, TRACK 1, FWD, TIC *1665.27 +/- 1	2R3	4	0	4,019,583:75:1	
4404	97	179	18:42:36.733	117LK	CSMOS	GS	***** GROUP START CSMOS	2R3	4	0	4,019,583:77:0	
4405	97	179	18:42:40.733		DMS:	:*US_RD	P7, TRACK 1, FWD, TIC *1666.50 +/- 1	2R3	4	0	4,019,583:83:0	
4406	97	179	18:42:41.933		DMS:	:*RUNUP	R7, TRACK *4, *REV, TIC *1666.56 +/- 1	2R3	4	0	4,019,583:84:8	
4407	97	179	18:42:42.733	175LK176A6A	6TMREC	LPU	7.68 KBPS NIMS-UVS-PPR RECORD Record Mode	2R3	4	0	4,019,583:86:0	
4408	97	179	18:42:43.333		DMS:	:*RECORD	R7, TRACK 4, REV, TIC *1666.44 +/- 1	2R3	4	0	4,019,583:86:9	
4409	97	179	18:42:43.333		DMS:	:*AT_SPD	R7, TRACK 4, REV, TIC 1666.44 +/- 1	2R3	4	0	4,019,583:86:9	
4410	97	179	18:42:46.066	C9INCHEMIS06-	NIMPBK	301FJ	MONITORING OF IO'S DAYSIDE	2R3	4	0	:	:
4411	97	179	18:42:46.066	117LK105A106A4A	7STRP	0.00115,0.0,0.0,0	Slew =-0.02	2R3	4	0	4,019,584:00:0	
4412	97	179	18:43:59.400	117LK105A106A4B	7STRP	-0.0004,0.0,0.0,0	Slew =12.01	2R3	4	0	4,019,585:19:0	
4413	97	179	18:44:08.066	117LK105A106A4C	7STRP	0.00115,0.0,0.0,0	Slew =-0.02	2R3	4	0	4,019,585:32:0	
4414	97	179	18:45:21.400	C9INCHEMIS06-	DESEL	300FJ	MONITORING OF IO'S DAYSIDE	2R3	4	0	:	:
4415	97	179	18:45:21.400	117LK11A	CSMOS	GE	***** GROUP END CSMOS	2R3	4	0	4,019,586:51:0	
4416	97	179	18:46:38.066	175LK6A	6TMREC	NRC	NO RECORD Record Mode Change	2R3	4	0	4,019,587:75:0	
4417	97	179	18:46:38.066		DMS:	:*RUNDOWN	R7, TRACK 4, REV, TIC *1611.43 +/- 1	2R3	4	0	4,019,587:75:0	
4418	97	179	18:46:38.066	175LK422A6B	6DMSC	RDY,0	DMS Control Tape stop	2R3	4	0	4,019,587:75:0	
4419	97	179	18:46:39.266		DMS:	:*READY	RDY, TRACK 4, REV, TIC *1611.37 +/- 1	2R3	4	0	4,019,587:76:8	
4420	97	179	18:47:53.466	C9INCHEMIS06-	*****STOP	*****	*****STOP	2R3	4	0	:	:
4421	97	179	19:15:06.733	165CI4A	7SCAN	NORM,33.052,15.2	Check S/P Position	2R3	4	0	4,019,615:90:0	
4422	97	179	19:19:08.733	165CI4B	7VECT		Inert vect update UTC	2R3	4	0	4,019,619:89:0	
4423	97	179	19:33:18.733	165HO4A	7SCAN	NORM,98.799,25.0	Check S/P Position	2R3	4	0	4,019,633:90:0	
4424	97	179	19:37:12.733	117HO	CSMOS	GS	***** GROUP START CSMOS	2R3	4	0	4,019,637:77:0	
4425	97	179	19:37:22.066	176HO6A	6TMREC	BPT	7.68 KBPS PPR BURST TO TAPE Record Mode C	2R3	4	0	4,019,638:00:0	
4426	97	179	19:37:22.066	117HO105A106A4A	7STRP	0.0,-0.0,0.0,0.0,0	Slew =-0.34	2R3	4	0	4,019,638:00:0	
4427	97	179	19:37:43.400	117HO11A	CSMOS	GE	***** GROUP END CSMOS	2R3	4	0	4,019,638:32:0	
4428	97	179	19:37:55.400	176HO6B	6TMREC	NRC	NO RECORD Record Mode Change	2R3	4	0	4,019,638:50:0	
4429	97	179	19:37:57.400		DMS:	:*US-RUNUP	P7, TRACK *1, *FWD, TIC 1611.37 +/- 1	2R3	4	0	4,019,638:53:0	
4430	97	179	19:37:57.400	50ZZ6XX	6DMSC	R7,0	DMS Control Tape runup 7.68kps	2R3	4	0	4,019,638:53:0	
4431	97	179	19:37:58.800		DMS:	:*US_AT_SP	P7, TRACK 1, FWD, TIC *1611.49 +/- 1	2R3	4	0	4,019,638:55:1	
4432	97	179	19:38:04.066		DMS:	:*US_RD	P7, TRACK 1, FWD, TIC *1612.72 +/- 1	2R3	4	0	4,019,638:63:0	
4433	97	179	19:38:05.266		DMS:	:*RUNUP	R7, TRACK *4, *REV, TIC *1612.78 +/- 1	2R3	4	0	4,019,638:64:8	
4434	97	179	19:38:06.666		DMS:	:*AT_SPD	R7, TRACK 4, REV, TIC *1612.66 +/- 1	2R3	4	0	4,019,638:66:9	
4435	97	179	19:38:07.400		DMS:	:*RECORD	R7, TRACK 4, REV, TIC *1612.49 +/- 1	2R3	4	0	4,019,638:68:0	
4436	97	179	19:38:17.400	50ZZ6RD	6DMSC	RDY,0	DMS Control Tape stop	2R3	4	0	4,019,638:83:0	
4437	97	179	19:38:17.400		DMS:	:*RUNDOWN	R7, TRACK 4, REV, TIC *1610.15 +/- 1	2R3	4	0	4,019,638:83:0	
4438	97	179	19:38:18.600		DMS:	:*READY	RDY, TRACK 4, REV, TIC *1610.09 +/- 1	2R3	4	0	4,019,638:84:8	
4439	97	179	19:48:28.733	165CJ4A	7SCAN	NORM,34.231,15.6	Check S/P Position	2R3	4	0	4,019,648:90:0	
4440	97	179	20:00:00.733	282NH432A431A6A	6RCDL	DDSNCG,PLSDSL,EP	Record Deselect(DDS o	2R3	4	0	4,019,660:36:0	
4441	97	179	20:00:01.400	282NH432A6A	6RTSL1		R/T Select of DDS and	2R3	4	0	4,019,660:37:0	
4442	97	179	20:02:47.400	488AC6B	6TMSED	NORM,IL7	Sci, Eng, and D/L Chan	2R3	4	0	4,019,663:13:0	
4443	97	179	20:06:45.466	C9JNWINDOW3-	*****START	*****	*****START	2R3	4	0	:	:
4444	97	179	20:15:00.066	488AC6C	6TMSED	NORM,FL7	Sci, Eng, and D/L Chan	2R3	4	0	4,019,675:20:0	
4445	97	179	20:43:19.400	488AC6D	6TMSED	NORM,FL6	Sci, Eng, and D/L Chan	2R3	4	0	4,019,703:21:0	
4446	97	179	20:55:17.466	C9JNFEA10201-	*****START	*****	*****START	2R3	4	0	:	:
4447	97	179	20:56:13.400	165LQ4A	7SCAN	NORM,54.085,21.7	Check S/P Position	2R3	4	0	4,019,715:90:0	
4448	97	179	20:59:11.400	127EM4A	37IOP	5,1	Short Map, Grating Start Position =01	2R5	4	1	4,019,718:84:0	
4449	97	179	20:59:11.400	127EM	NIMSTAB	GS	%%GROUP START TAB	2R5	4	1	4,019,718:84:0	
4450	97	179	20:59:12.066	127EM4B	37ETB		Loads wavelength edit table	2R5	4	1	4,019,718:85:0	
4451	97	179	20:59:20.066	127EM11A	NIMSTAB	GE	%%GROUP END TAB	2R5	4	1	4,019,719:06:0	
4452	97	179	21:00:04.733		DMS:	:*US-RUNUP	P7, TRACK *1, *FWD, TIC 1610.09 +/- 1	2R5	4	1	4,019,719:73:0	
4453	97	179	21:00:04.733	175LQ422A6A	6DMSC	R7,0	DMS Control Tape runup 7.68kps	2R5	4	1	4,019,719:73:0	

Line	YR	DOY	SCET - GMT	PSID	Command	Parameters	Description	GCM	GO	GS	RIM	MFI
4454	97	179	21:00:06.133		DMS:	:*US_AT_SP	P7, TRACK 1, FWD, TIC *1610.21 +/- 1	2R5	4	1	4,019,719:75:1	
4455	97	179	21:00:07.400	117LQ	CSMOS	GS	**** GROUP START CSMOS	2R5	4	1	4,019,719:77:0	
4456	97	179	21:00:11.400		DMS:	:*US_RD	P7, TRACK 1, FWD, TIC *1611.44 +/- 1	2R5	4	1	4,019,719:83:0	
4457	97	179	21:00:12.600		DMS:	:*RUNUP	R7, TRACK *4, *REV, TIC *1611.50 +/- 1	2R5	4	1	4,019,719:84:8	
4458	97	179	21:00:13.400	175LQ176A6A	6TMREC	LPU	7.68 KBPS NIMS-UVS-PPR RECORD Record Mode	2R5	4	1	4,019,719:86:0	
4459	97	179	21:00:14.000		DMS:	:*AT_SPD	R7, TRACK 4, REV, TIC 1611.38 +/- 1	2R5	4	1	4,019,719:86:9	
4460	97	179	21:00:14.000		DMS:	:*RECORD	R7, TRACK 4, REV, TIC *1611.38 +/- 1	2R5	4	1	4,019,719:86:9	
4461	97	179	21:00:16.733	117LQ105A106A4A	7STRP	0.021904,0.0,0.0	Slew = -0.11	2R5	4	1	4,019,720:00:0	
4462	97	179	21:00:16.733	C9JNFEA10201-	NIMPBK	301FL	JUPITER FTR TRK 102 DEG PHASE PA	2R5	4	1	:	:
4463	97	179	21:03:36.733	C9JNFEA10201-	DESELC	300FL	JUPITER FTR TRK 102 DEG PHASE PA	2R5	4	1	:	:
4464	97	179	21:03:36.733	117LQ111A	CSMOS	GE	**** GROUP END CSMOS	2R5	4	1	4,019,723:27:0	
4465	97	179	21:03:48.733	175LQ422A6B	6DMSC	RDY,0	DMS Control Tape stop	2R5	4	1	4,019,723:45:0	
4466	97	179	21:03:48.733	175LQ6A	6TMREC	NRC	NO RECORD Record Mode Change	2R5	4	1	4,019,723:45:0	
4467	97	179	21:03:48.733		DMS:	:*RUNDOWN	R7, TRACK 4, REV, TIC *1561.05 +/- 1	2R5	4	1	4,019,723:45:0	
4468	97	179	21:03:49.933		DMS:	:*READY	RDY, TRACK 4, REV, TIC *1560.99 +/- 1	2R5	4	1	4,019,723:46:8	
4469	97	179	21:04:18.733	165HP4A	7SCAN	NORM,52.801,21.8	Check S/P Position	2R5	4	1	4,019,723:90:0	
4470	97	179	21:04:23.466	C9JNFEA10201-		-----STOP-----		2R5	4	1	:	:
4471	97	179	21:08:12.733	117HP	CSMOS	GS	**** GROUP START CSMOS	2R5	4	1	4,019,727:77:0	
4472	97	179	21:08:22.066	176HP6A	6TMREC	BPT	7.68 KBPS PPR BURST TO TAPE Record Mode C	2R5	4	1	4,019,728:00:0	
4473	97	179	21:08:22.066	117HP105A106A4A	7STRP	-0.024405,0.0,0.0,	Slew = -0.21	2R5	4	1	4,019,728:00:0	
4474	97	179	21:10:19.400	117HP105A106A4B	7STRP	0.024405,0.0013,	Slew = 12.01	2R5	4	1	4,019,729:85:0	
4475	97	179	21:10:26.066	117HP105A106A4C	7STRP	-0.024405,0.0,0.0,	Slew = 0.21	2R5	4	1	4,019,730:04:0	
4476	97	179	21:12:23.400	117HP105A106A4D	7STRP	0.024405,0.0013,	Slew = 12.01	2R5	4	1	4,019,731:89:0	
4477	97	179	21:12:30.066	117HP105A106A4E	7STRP	-0.024405,0.0,0.0,	Slew = 0.21	2R5	4	1	4,019,732:08:0	
4478	97	179	21:14:27.400	117HP105A106A4F	7STRP	0.024405,0.0013,	Slew = 12.01	2R5	4	1	4,019,734:02:0	
4479	97	179	21:14:34.066	117HP105A106A4G	7STRP	-0.024405,0.0,0.0,	Slew = -0.21	2R5	4	1	4,019,734:12:0	
4480	97	179	21:16:31.400	117HP105A106A4H	7STRP	0.024405,0.0013,	Slew = 12.01	2R5	4	1	4,019,736:06:0	
4481	97	179	21:16:38.066	117HP105A106A4I	7STRP	-0.024405,0.0,0.0,	Slew = -0.21	2R5	4	1	4,019,736:16:0	
4482	97	179	21:18:35.400	117HP105A106A4J	7STRP	0.024405,0.0013,	Slew = 12.01	2R5	4	1	4,019,738:10:0	
4483	97	179	21:18:42.066	117HP105A106A4K	7STRP	-0.024405,0.0,0.0,	Slew = -0.21	2R5	4	1	4,019,738:20:0	
4484	97	179	21:20:39.400	117HP105A106A4L	7STRP	0.024405,0.0013,	Slew = 12.01	2R5	4	1	4,019,740:14:0	
4485	97	179	21:20:46.066	117HP105A106A4M	7STRP	-0.024405,0.0,0.0,	Slew = 0.21	2R5	4	1	4,019,740:24:0	
4486	97	179	21:22:43.400	117HP105A106A4N	7STRP	0.024405,0.0013,	Slew = 12.01	2R5	4	1	4,019,742:18:0	
4487	97	179	21:22:50.066	117HP105A106A4O	7STRP	-0.024405,0.0,0.0,	Slew = 0.21	2R5	4	1	4,019,742:28:0	
4488	97	179	21:24:47.400	117HP11A	CSMOS	GE	**** GROUP END CSMOS	2R5	4	1	4,019,744:22:0	
4489	97	179	21:25:34.733	50ZZ6XX	6DMSC	RDY,0	DMS Control Tape runup 7.68kps	2R5	4	1	4,019,745:02:0	
4490	97	179	21:25:34.733		DMS:	:*US-RUNUP	P7, TRACK *1, *FWD, TIC 1560.99 +/- 1	2R5	4	1	4,019,745:02:0	
4491	97	179	21:25:36.133		DMS:	:*US_AT_SP	P7, TRACK 1, FWD, TIC *1561.11 +/- 1	2R5	4	1	4,019,745:04:1	
4492	97	179	21:25:41.400		DMS:	:*US_RD	P7, TRACK 1, FWD, TIC *1562.35 +/- 1	2R5	4	1	4,019,745:12:0	
4493	97	179	21:25:42.600		DMS:	:*RUNUP	R7, TRACK *4, *REV, TIC *1562.41 +/- 1	2R5	4	1	4,019,745:13:8	
4494	97	179	21:25:44.000		DMS:	:*AT_SPD	R7, TRACK 4, REV, TIC *1562.29 +/- 1	2R5	4	1	4,019,745:15:9	
4495	97	179	21:26:10.066		DMS:	:*RECORD	R7, TRACK 4, REV, TIC *1556.18 +/- 1	2R5	4	1	4,019,745:55:0	
4496	97	179	21:26:32.733	50ZZ6RE	6DMSC	RDY,0	DMS Control Tape stop	2R5	4	1	4,019,745:89:0	
4497	97	179	21:26:32.733		DMS:	:*RUNDOWN	R7, TRACK 4, REV, TIC *1550.87 +/- 1	2R5	4	1	4,019,745:89:0	
4498	97	179	21:26:33.933		DMS:	:*READY	RDY, TRACK 4, REV, TIC *1550.81 +/- 1	2R5	4	1	4,019,745:90:8	
4499	97	179	21:29:40.132	C9JNWINDOW03-		-----STOP-----		2R5	4	1	:	:
4500	97	179	21:30:38.733	176HP6B	6TMREC	NRC	NO RECORD Record Mode Change	2R5	4	1	4,019,750:03:0	
4501	97	179	21:30:40.733	50ZZ6XX	6DMSC	RDY,0	DMS Control Tape runup 7.68kps	2R5	4	1	4,019,750:06:0	
4502	97	179	21:30:40.733		DMS:	:*US-RUNUP	P7, TRACK *1, *FWD, TIC 1550.81 +/- 1	2R5	4	1	4,019,750:06:0	
4503	97	179	21:30:42.133		DMS:	:*US_AT_SP	P7, TRACK 1, FWD, TIC *1550.93 +/- 1	2R5	4	1	4,019,750:08:1	
4504	97	179	21:30:47.400		DMS:	:*US_RD	P7, TRACK 1, FWD, TIC *1552.16 +/- 1	2R5	4	1	4,019,750:16:8	
4505	97	179	21:30:48.600		DMS:	:*RUNUP	R7, TRACK *4, *REV, TIC *1552.22 +/- 1	2R5	4	1	4,019,750:17:8	
4506	97	179	21:30:50.000		DMS:	:*AT_SPD	R7, TRACK 4, REV, TIC *1552.10 +/- 1	2R5	4	1	4,019,750:19:9	
4507	97	179	21:30:50.733		DMS:	:*RECORD	R7, TRACK 4, REV, TIC *1551.93 +/- 1	2R5	4	1	4,019,750:21:0	
4508	97	179	21:31:03.400		DMS:	:*RUNDOWN	R7, TRACK 4, REV, TIC *1548.96 +/- 1	2R5	4	1	4,019,750:40:0	

Line	YR	DOY	SCET - GMT	PSID	Command	Parameters	Description	GCM	GO	GS	RIM	MFI
4509	97	179	21:31:03.400	50ZZ6RD	6DMSC	RDY,0	DMS Control Tape stop	2R5	4	1	4,019,750:40:0	
4510	97	179	21:31:04.600		DMS:	: *READY	RDY, TRACK 4, REV, TIC *1548.90 +/- 1	2R5	4	1	4,019,750:41:8	
4511	97	179	21:35:44.133	C9JNFEA10202-		-----START-----		2R5	4	1	:	:
4512	97	179	21:36:40.066	165LR4A	7SCAN	NORM,53.913,21.9	Check S/P Position	2R5	4	1	4,019,755:90:0	
4513	97	179	21:40:31.400		DMS:	: *US-RUNUP	P7, TRACK *1, *FWD, TIC 1548.90 +/- 1	2R5	4	1	4,019,759:73:0	
4514	97	179	21:40:31.400	175LR422A6A	6DMSC	R7,0	DMS Control Tape rumup 7.68kps	2R5	4	1	4,019,759:73:0	
4515	97	179	21:40:32.800		DMS:	: *US_AT_SP	P7, TRACK 1, FWD, TIC *1549.02 +/- 1	2R5	4	1	4,019,759:75:1	
4516	97	179	21:40:34.066	117LR	CSMOS	GS	***** GROUP START CSMOS	2R5	4	1	4,019,759:77:0	
4517	97	179	21:40:38.066		DMS:	: *US_RD	P7, TRACK 1, FWD, TIC *1550.25 +/- 1	2R5	4	1	4,019,759:83:0	
4518	97	179	21:40:39.266		DMS:	: *RUNUP	P7, TRACK *4, *REV, TIC *1550.31 +/- 1	2R5	4	1	4,019,759:84:8	
4519	97	179	21:40:40.066	175LR176A6A	6TMREC	LPU	7.68 KBPS NIMS-UVS-PPR RECORD Record Mode	2R5	4	1	4,019,759:86:0	
4520	97	179	21:40:40.666		DMS:	: *RECORD	P7, TRACK 4, REV, TIC *1550.19 +/- 1	2R5	4	1	4,019,759:86:9	
4521	97	179	21:40:40.666		DMS:	: *AT_SPD	P7, TRACK 4, REV, TIC 1550.19 +/- 1	2R5	4	1	4,019,759:86:9	
4522	97	179	21:40:43.400	117LR105A106A4A	7STRP	0.021904,0.0,0.0	Slew = 0.11	2R5	4	1	4,019,760:00:0	
4523	97	179	21:40:43.400	C9JNFEA10202-	NIMPBK	301FM	JUPITER FTR TRK 102 DEG PHASE PA	2R5	4	1	:	:
4524	97	179	21:44:03.400	117LR105A106A4B	7STRP	-0.021904,0.008,	Slew = 12.01	2R5	4	1	4,019,763:27:0	
4525	97	179	21:44:03.400	C9JNFEA10202-	DESEL	300FM	JUPITER FTR TRK 102 DEG PHASE PA	2R5	4	1	:	:
4526	97	179	21:44:16.733	117LR105A106A4C	7STRP	0.021904,0.0,0.0	Slew = 0.11	2R5	4	1	4,019,763:47:0	
4527	97	179	21:47:36.733	117LR11A	CSMOS	GE	***** GROUP END CSMOS	2R5	4	1	4,019,766:74:0	
4528	97	179	21:48:08.066	175LR422A6B	6DMSC	RDY,0	DMS Control Tape stop	2R5	4	1	4,019,767:30:0	
4529	97	179	21:48:08.066	175LR6A	6TMREC	NRC	NO RECORD Record Mode Change	2R5	4	1	4,019,767:30:0	
4530	97	179	21:48:08.066		DMS:	: *RUNDOWN	P7, TRACK 4, REV, TIC *1445.34 +/- 1	2R5	4	1	4,019,767:30:0	
4531	97	179	21:48:09.266		DMS:	: *READY	RDY, TRACK 4, REV, TIC *1445.28 +/- 1	2R5	4	1	4,019,767:31:8	
4532	97	179	21:48:48.066	165CK4A	7SCAN	NORM,38.274,17.0	Check S/P Position	2R5	4	1	4,019,767:90:0	
4533	97	179	21:52:52.799	C9JNFEA10202-		-----STOP-----		2R5	4	1	:	:
4534	97	179	21:52:50.066	165CK4B	7VECT		Inert vect update UTC	2R5	4	1	4,019,771:89:0	
4535	97	179	21:52:55.466	C9NNCHOPOF01-		-----START-----		2R5	4	1	:	:
4536	97	179	21:53:47.400	127FZ	NIMSTAB	GS	%%-%-% GROUP START TAB	2R5	4	1	4,019,772:84:0	
4537	97	179	21:53:47.400	127FZ4A	37IOP	0,0	Safe, Grating Start Position = 00	2R0	4	0	4,019,772:84:0	
4538	97	179	21:53:48.066	127FZ4B	37ETB	04,C4,02,00.00	Loads wavelength edit table	2R0	4	0	4,019,772:85:0	
4539	97	179	21:53:56.066	127FZ11A	NIMSTAB	GE	%%-%-% GROUP END TAB	2R0	4	0	4,019,773:06:0	
4540	97	179	21:54:52.733		DMS:	: *US-RUNUP	P7, TRACK *1, *FWD, TIC 1445.28 +/- 1	2R0	4	0	4,019,774:00:0	
4541	97	179	21:54:52.733		DMS:	: *SLEW-TIC	P7, TRACK *2, REV, TIC 1445.28 +/- 1	2R0	4	0	4,019,774:00:0	
4542	97	179	21:54:52.733	465KH6A	6DMST		300 DMS Slew to TIC	2R0	4	0	4,019,774:00:0	
4543	97	179	21:54:54.133		DMS:	: *US_AT_SP	P7, TRACK 1, FWD, TIC *1445.40 +/- 1	2R0	4	0	4,019,774:02:1	
4544	97	179	21:54:59.400		DMS:	: *US_RD	P7, TRACK 1, FWD, TIC *1446.63 +/- 1	2R0	4	0	4,019,774:10:0	
4545	97	179	21:55:00.600		DMS:	: *RUNUP	P7, TRACK *2, *REV, TIC *1446.69 +/- 1	2R0	4	0	4,019,774:11:8	
4546	97	179	21:55:02.000		DMS:	: *AT_SPD	P7, TRACK 2, REV, TIC *1446.57 +/- 1	2R0	4	0	4,019,774:13:9	
4547	97	179	21:57:59.400	488AD6A	6TMSED	NORM,FL5	Sci, Eng, and D/L Chan	2R0	4	0	4,019,777:07:0	
4548	97	179	21:58:50.733	125FZ4A	37MB	0,0,0,0,0,0	Selects mirror (spatial) edit table	2R0	4	0	4,019,777:84:0	
4549	97	179	21:58:50.733	125FZ	NIMSINIT	GS	##### GROUP START INIT	2R0	4	0	4,019,777:84:0	
4550	97	179	21:59:51.400	125FZ4B	37IST	1,0,0,OFF,0,0,0	Chopper ON, Sync, 63Hz (Ref)	260	4	0	4,019,778:84:0	
4551	97	179	22:00:52.066	125FZ11A	NIMSINIT	GE	##### GROUP END INIT	260	4	0	4,019,779:84:0	
4552	97	179	22:00:52.066	125FZ4C	37IST	1,1,0,OFF,0,0,0	Chopper OFF, N/A, 63Hz (Ref)	200	4	0	4,019,779:84:0	
4553	97	179	22:03:35.400	C9NNCHOPOF01-		-----STOP-----		200	4	0	:	:
4554	97	179	22:23:35.400	488AD6B	6TMSED	NORM,FL4	Sci, Eng, and D/L Chan	200	4	0	4,019,802:36:0	
4555	97	179	22:33:17.400	165CL4A	7SCAN	NORM,40.335,17.7	Check S/P Position	200	4	0	4,019,811:90:0	
4556	97	179	22:35:18.066	165CL4B	7VECT		Inert vect update UTC	200	4	0	4,019,813:89:0	
4557	97	179	22:59:51.400	488AD6C	6TMSED	NORM,FL5	Sci, Eng, and D/L Chan	200	4	0	4,019,838:24:0	
4558	97	179	23:16:24.200		DMS:	: *RUNDOWN	P7, TRACK 2, REV, TIC *302.06 +/- 1	200	4	0	4,019,854:57:2	
4559	97	179	23:16:25.400		DMS:	: *READY	RDY, TRACK 2, REV, TIC *302.00 +/- 1	200	4	0	4,019,854:59:0	
4560	97	179	23:24:52.066	465KJ6A	6DMSC	RDY,2	DMS Control Tape stop	200	4	0	4,019,863:00:0	
4561	97	179	23:25:11.400	488AD6D	6TMSED	FILL,FL5	Sci, Eng, and D/L Chan	200	4	0	4,019,863:29:0	
4562	97	179	23:29:48.733		DMS:	: *DMS-TURN	P7, TRACK 2, REV, TIC 302.00 +/- 1	200	4	0	4,019,867:81:0	
4563	97	179	23:29:48.733		DMS:	: *US-RUNUP	P7, TRACK *1, *FWD, TIC 302.00 +/- 1	200	4	0	4,019,867:81:0	

Line	YR	DOY	SCET - GMT	PSID	Command	Parameters	Description	GCM	GO	GS	RIM	RFI
4564	97	179	23:29:48.733	465KI6A	6DTRN	CMD,6DTRN,465KI6	DMS TRACK TURNAROUND	200	4	0	4,019,867:81:0	
4565	97	179	23:29:50.133		DMS:	: *US_AT_SP	P7, TRACK 1, FWD, TIC * 302.12 +/- 1	200	4	0	4,019,867:83:1	
4566	97	179	23:29:55.400		DMS:	: *US_RD	P7, TRACK 1, FWD, TIC * 303.35 +/- 1	200	4	0	4,019,868:00:0	
4567	97	179	23:29:56.600		DMS:	: *RUNUP	P7, TRACK *2, *REV, TIC * 303.41 +/- 1	200	4	0	4,019,868:01:8	
4568	97	179	23:29:58.000		DMS:	: *AT_SPD	P7, TRACK 2, REV, TIC * 303.29 +/- 1	200	4	0	4,019,868:03:9	
4569	97	179	23:35:47.400	165CM4A	7SCAN	NORM,42.824,18.5	Check S/P Position	200	4	0	4,019,873:73:0	
4570	97	179	23:37:19.200		DMS:	: *REVERSE	P7, TRACK 2, REV, TIC * 199.87 +/- 1	200	4	0	4,019,875:28:7	
4571	97	179	23:37:20.400		DMS:	: *RUNUP	P7, TRACK 3, FWD, TIC 199.81 +/- 1	200	4	0	4,019,875:30:5	
4572	97	179	23:37:20.400		DMS:	: *TURNARND	P7, TRACK *3, *FWD, TIC * 199.81 +/- 1	200	4	0	4,019,875:30:5	
4573	97	179	23:37:21.800		DMS:	: *AT_SPD	P7, TRACK 3, FWD, TIC * 199.93 +/-	200	4	0	4,019,875:32:6	
4574	97	179	23:37:33.800		DMS:	: *AUTOSTOP	P7, TRACK 3, FWD, TIC * 202.06 +/-	200	4	0	4,019,875:50:6	
4575	97	179	23:37:35.000		DMS:	: *READY	RDY, TRACK 3, FWD, TIC * 202.12 +/-	200	4	0	4,019,875:52:4	
4576	97	179	23:54:17.400	488AD6E	6TMSED	NORM,FL5	Sci, Eng. and D/L Chan	200	4	0	4,019,892:09:0	
4577	97	179	23:58:02.066	165CN4A	7SCAN	NORM,43.73,18.77	Check S/P Position	200	4	0	4,019,933:73:0	
4578	97	180	00:36:38.733	165BK4A	7SCAN	NORM,47.003,20.1	Check S/P Position	200	4	0	4,019,933:90:0	
4579	97	180	00:40:07.400	488AE6A	6TMSED	NORM,FL6	Sci, Eng. and D/L Chan	200	4	0	4,019,937:39:0	
4580	97	180	01:45:00.066	488AE6B	6TMSED	NORM,EL6	Sci, Eng. and D/L Chan	200	4	0	4,020,001:54:0	
4581	97	180	05:02:31.400	488AE6C	6TMSED	NORM,EL5	Sci, Eng. and D/L Chan	200	4	0	4,020,196:86:0	
4582	97	180	05:47:56.066	488AE6D	6TMSED	FILL,EL5	Sci, Eng. and D/L Chan	200	4	0	4,020,241:78:0	
4583	97	180	05:51:35.400	488AE6E	6TMSED	FILL,EL4	Sci, Eng. and D/L Chan	200	4	0	4,020,245:43:0	
4584	97	180	05:59:36.733	488AF6A	6TMSED	NORM,EL4	Sci, Eng. and D/L Chan	200	4	0	4,020,253:37:0	
4585	97	180	06:19:19.400	488AF6B	6TMSED	NORM,EL5	Sci, Eng. and D/L Chan	200	4	0	4,020,272:82:0	
4586	97	180	07:10:10.733	488AF6C	6TMSED	FILL,EL5	Sci, Eng. and D/L Chan	200	4	0	4,020,323:18:0	
4587	97	180	07:39:16.733	488AF6D	6TMSED	NORM,EL5	Sci, Eng. and D/L Chan	200	4	0	4,020,351:89:0	
4588	97	180	08:59:19.400	488AF6E	6TMSED	NORM,EL6	Sci, Eng. and D/L Chan	200	4	0	4,020,431:13:0	
4589	97	180	10:50:42.066	488AG6A	6TMSED	FILL,EL6	Sci, Eng. and D/L Chan	200	4	0	4,020,541:27:0	
4590	97	180	10:54:31.400	488AG6B	6TMSED	FILL,EL8	Sci, Eng. and D/L Chan	200	4	0	4,020,545:07:0	
4591	97	180	10:56:11.400	488AG6C	6TMSED	NORM,EL8	Sci, Eng. and D/L Chan	200	4	0	4,020,546:66:0	
4592	97	180	12:00:00.000	488AG6D	6TMSED	NORM,IL8	Sci, Eng. and D/L Chan	200	4	0	4,020,609:76:0	
4593	97	180	12:00:00.666	282NI432A431A6A	6RCDSL	DDSNCG,PLDSDL,EP	Record Deselect (DDS o	200	4	0	4,020,609:77:0	
4594	97	180	12:00:01.333	282NI432A6A	6RTSL1		R/T Select of DDS and	200	4	0	4,020,609:78:0	
4595	97	180	15:23:37.333	488AG6E	6TMSED	FILL,IL8	Sci, Eng. and D/L Chan	200	4	0	4,020,811:20:0	
4596	97	180	15:47:02.000	488AH6A	6TMSED	NORM,IL8	Sci, Eng. and D/L Chan	200	4	0	4,020,834:34:0	
4597	97	180	15:52:47.333	20BA4A	7SAFE	UNSTOW	S/P TO 153 deg cone	200	4	0	4,020,840:06:0	
4598	97	180	15:59:00.666	282NI432A431A6A	6RCDSL	DDSNCG,PLDSDL,EP	Record Deselect (DDS o	200	4	0	4,020,846:20:0	
4599	97	180	15:59:01.333	282NJ432A6A	6RTSL1		R/T Select of DDS and	200	4	0	4,020,846:21:0	
4600	97	180	16:00:00.000	20A3EW	37A	Final Condition	NIMS Power ON	200	4	0	4,020,847:18:0	
4601	97	180	16:00:00.000	20A3EX	37HR	Final Condition	Replacement Heaters OFF	200	4	0	4,020,847:18:0	
4602	97	180	16:00:00.000	20A3EY	37C1PR	Final Condition	Optics Heater 1 OFF (primary relay)	200	4	0	4,020,847:18:0	
4603	97	180	16:00:00.000	20A3EZ	37C2PR	Final Condition	Optics Heater 2 OFF (primary relay)	200	4	0	4,020,847:18:0	
4604	97	180	16:00:00.000	20A3FA	37F1PR	Final Condition	Radiator Flash Heater OFF (primary relay)	200	4	0	4,020,847:18:0	
4605	97	180	16:00:00.000	20A3FB	37F2PR	Final Condition	Shield Flash Heater OFF (primary relay)	200	4	0	4,020,847:18:0	
4606	97	180	16:00:00.000	20A3FD	40HRPR	Final Condition	PCT Heater OFF (primary relay)	200	4	0	4,020,847:18:0	
4607	97	180	16:00:00.000	20A3FE	40T1PR	Final Condition	PCT Heater 1 OFF (primary relay)	200	4	0	4,020,847:18:0	
4608	97	180	16:00:00.000	20A3FF	40T2R	Final Condition	PCT Heater 2 OFF	200	4	0	4,020,847:18:0	
4609	97	180	16:00:00.000		DMS:	: READY	RDY, TRACK 3, FWD, TIC 202.12 +/-	200	4	0	4,020,847:18:0	

Line	YR	DOY	SCET - GMT	PSID	Command	Parameters	Description	GCM	GO	GS	RIM	RFI
1	97	180	16:00:00.000	20A3FF	40T2R	Initial Condition	PCT Heater 2 OFF	200	4	0	4,020,847:18:0	
2	97	180	16:00:00.000		DMS:	: READY	RDY, TRACK 3, FWD, TIC 202.12 +/-	200	4	0	4,020,847:18:0	
3	97	180	16:00:00.000	20A3EW	37A	Initial Condition	NIMS Power ON	200	4	0	4,020,847:18:0	
4	97	180	16:00:00.000	20A3EX	37HR	Initial Condition	Replacement Heaters OFF	200	4	0	4,020,847:18:0	
5	97	180	16:00:00.000	20A3EY	37C1PR	Initial Condition	Optics Heater 1 OFF (primary relay)	200	4	0	4,020,847:18:0	
6	97	180	16:00:00.000	20A3EZ	37C2PR	Initial Condition	Optics Heater 2 OFF (primary relay)	200	4	0	4,020,847:18:0	
7	97	180	16:00:00.000	20A3FA	37F1PR	Initial Condition	Radiator Flash Heater OFF (primary relay)	200	4	0	4,020,847:18:0	
8	97	180	16:00:00.000	20A3FB	37F2PR	Initial Condition	Shield Flash Heater OFF (primary relay)	200	4	0	4,020,847:18:0	
9	97	180	16:00:00.000	20A3FD	40HRPR	Initial Condition	RCT Heater OFF (primary relay)	200	4	0	4,020,847:18:0	
10	97	180	16:00:00.000	20A3FE	40T1PR	Initial Condition	PCT Heater 1 OFF (primary relay)	200	4	0	4,020,847:18:0	
11	97	180	16:01:43.333	418JA6B	6BUJHI		10 MUB Buffer high water	200	4	0	4,020,848:82:0	
12	97	180	16:01:43.333	418JA6A	6BUJFO		2 MUB Buffer low water m	200	4	0	4,020,848:82:0	
13	97	180	16:01:48.000	432JB6B	6RTDS2	NIMDSL,AACNCG,RT	NIMS RT DESELECT	200	4	0	4,020,848:89:0	
14	97	180	16:01:48.666	432JB431A6A	6RCDL	DDSDSL,PLSDSL,EP	Record Deselect (DDS o	200	4	0	4,020,848:90:0	
15	97	180	16:01:49.333	432JB6D	6RTSL2	NIMNCG,AACSEL,RT	AACS DESELECT	200	4	0	4,020,849:00:0	
16	97	180	16:01:49.333	432JB6C	6RTSL1		R/T Select of DDS and	200	4	0	4,020,849:00:0	
17	97	180	16:02:02.000	488AA6A	6TMSED	NORM,AL8	Sci, Eng, and D/L Chan	200	4	0	4,020,849:19:0	
18	97	180	16:05:00.000	444UA443A4A	7MODE	CRU	AACS CRUISE MODE	200	4	0	4,020,852:13:0	
19	97	180	16:10:00.000	41SQ99A	POWER	PWR MODE change	Change to Maneuver/Playback Mode	200	4	0	4,020,857:08:0	
20	97	180	16:11:54.000	41SQ3G	40T1P		1 PCT Heater 1 ON (primary relay)	200	4	0	4,020,858:88:0	
21	97	180	16:12:04.000	41SQ3H	40T1P		2 PCT Heater 1 ON (primary relay)	200	4	0	4,020,859:12:0	
22	97	180	16:12:14.000	41SQ3I	40T2		1 PCT Heater 2 ON	200	4	0	4,020,859:27:0	
23	97	180	16:12:24.000	41SQ3J	40T2		2 PCT Heater 2 ON	200	4	0	4,020,859:42:0	
24	97	180	16:15:04.000	20UA4A	7SAFE	STOP	S/P NO MOVEMENT	200	4	0	4,020,862:09:0	
25	97	180	16:15:54.000	20UA4B	7SLEW	DIS,POS,0.0	Stator movement	200	4	0	4,020,862:84:0	
26	97	180	16:18:00.000	176SA6A	6TMREC	IPB	INITIATE PLAYBACK (PB CONTROL) Record Mod	200	4	0	4,020,865:00:0	
27	97	180	20:36:55.333	488AA6B	6TMSED	NORM,AL7	Sci, Eng, and D/L Chan	200	4	0	4,021,121:07:0	
28	97	180	21:43:03.333	488AA6C	6TMSED	NORM,AL6	Sci, Eng, and D/L Chan	200	4	0	4,021,186:44:0	
29	97	180	22:17:11.333	488AB6A	6TMSED	NORM,AL4	Sci, Eng, and D/L Chan	200	4	0	4,021,220:22:0	
30	97	180	22:40:39.333	488AB6B	6TMSED	NORM,AL5	Sci, Eng, and D/L Chan	200	4	0	4,021,243:41:0	
31	97	180	23:36:07.333	488AB6C	6TMSED	NORM,AL6	Sci, Eng, and D/L Chan	200	4	0	4,021,298:28:0	
32	97	181	03:07:06.666	431YL6A	6RCDL	DDSNCG,PLSNCG,EP	Record Deselect (DDS o	200	4	0	4,021,506:89:0	
33	97	181	03:10:16.666	20YC6A	6HICON		Record Select (DDS onl	200	4	0	4,021,510:10:0	
34	97	181	03:11:10.666	431YM6A	6RCSEL	DDSNCG,PLSNCG,EP	Record Select (DDS onl	200	4	0	4,021,511:00:0	
35	97	181	03:11:30.000	20OB6A	6HICON		Record Select (DDS onl	200	4	0	4,021,511:29:0	
36	97	181	03:12:11.333	176BA6A	6TMREC	PPB	PAUSE PLAYBACK (PB CONTROL) Record Mode C	200	4	0	4,021,512:00:0	
37	97	181	03:15:12.666	165BL4A	7SCAN	NORM,317.743999,	Check S/P Position	200	4	0	4,021,514:90:0	
38	97	181	03:16:30.000	432OZ6A	6RTSL1		R/T Select of DDS and	200	4	0	4,021,516:24:0	
39	97	181	03:19:20.000	20UG4A	7SAFE	STOP	S/P NO MOVEMENT	200	4	0	4,021,519:06:0	
40	97	181	03:20:10.000	20UG4B	7SLEW	DIS,POS,0.0	Stator movement	200	4	0	4,021,519:81:0	
41	97	181	03:21:17.333	176BB6A	6TMREC	RPB	RESUME PLAYBACK (PB CONTROL) Record Mode	200	4	0	4,021,521:00:0	
42	97	181	05:43:03.333	488AC6A	6TMSED	NORM,AL5	Sci, Eng, and D/L Chan	200	4	0	4,021,661:19:0	
43	97	181	06:19:19.333	488AC6B	6TMSED	NORM,AL6	Sci, Eng, and D/L Chan	200	4	0	4,021,697:07:0	
44	97	181	10:46:26.000	488AC6C	6TMSED	FILL,AL6	Sci, Eng, and D/L Chan	200	4	0	4,021,961:23:0	
45	97	181	10:50:15.333	488AC6D	6TMSED	FILL,AL8	Sci, Eng, and D/L Chan	200	4	0	4,021,965:03:0	
46	97	181	10:51:55.333	488AC6E	6TMSED	NORM,AL8	Sci, Eng, and D/L Chan	200	4	0	4,021,966:62:0	
47	97	181	11:23:04.000	488AD6A	6TMSED	FILL,AL8	Sci, Eng, and D/L Chan	200	4	0	4,021,997:44:0	
48	97	181	12:28:28.666	488AD6B	6TMSED	NORM,AL8	Sci, Eng, and D/L Chan	200	4	0	4,022,062:16:0	
49	97	181	20:32:39.266	488AE6A	6TMSED	NORM,AL7	Sci, Eng, and D/L Chan	200	4	0	4,022,541:03:0	
50	97	181	21:43:03.266	488AE6B	6TMSED	NORM,AL6	Sci, Eng, and D/L Chan	200	4	0	4,022,610:60:0	
51	97	181	22:17:11.266	488AE6C	6TMSED	NORM,AL4	Sci, Eng, and D/L Chan	200	4	0	4,022,644:38:0	
52	97	181	22:55:35.266	488AE6D	6TMSED	NORM,AL5	Sci, Eng, and D/L Chan	200	4	0	4,022,682:36:0	
53	97	181	23:45:05.266	488AE6E	6TMSED	FILL,AL5	Sci, Eng, and D/L Chan	200	4	0	4,022,731:32:0	

Line	YR	DOY	SCET - GMT	PSID	Command	Parameters	Description	GCM	GO	GS	RIM	MFI
54	97	182	00:14:11.333	488AF6A	6TMSED	NORM,AL5	Sci, Eng, and D/L Chan	200	4	0	4,022,760:14:0	
55	97	182	01:20:38.000	488AF6B	6TMSED	NORM,AL6	Sci, Eng, and D/L Chan	200	4	0	4,022,825:79:0	
56	97	182	04:02:46.000	488AF6C	6TMSED	NORM,AL5	Sci, Eng, and D/L Chan	200	4	0	4,022,986:20:0	
57	97	182	06:15:02.000	488AG6A	6TMSED	NORM,AL6	Sci, Eng, and D/L Chan	200	4	0	4,023,117:03:0	
58	97	182	06:51:27.333	488AG6B	6TMSED	FILL,AL6	Sci, Eng, and D/L Chan	200	4	0	4,023,153:05:0	
59	97	182	07:18:17.333	488AG6C	6TMSED	NORM,AL6	Sci, Eng, and D/L Chan	200	4	0	4,023,179:54:0	
60	97	182	10:42:08.666	488AG6D	6TMSED	FILL,AL6	Sci, Eng, and D/L Chan	200	4	0	4,023,381:19:0	
61	97	182	10:45:58.000	488AG6E	6TMSED	FILL,AL8	Sci, Eng, and D/L Chan	200	4	0	4,023,384:90:0	
62	97	182	10:47:38.000	488AH6A	6TMSED	NORM,AL8	Sci, Eng, and D/L Chan	200	4	0	4,023,386:58:0	
63	97	182	20:32:38.000	488AI6A	6TMSED	NORM,AL7	Sci, Eng, and D/L Chan	200	4	0	4,023,965:19:0	
64	97	182	21:43:02.000	488AI6B	6TMSED	NORM,AL6	Sci, Eng, and D/L Chan	200	4	0	4,024,034:76:0	
65	97	182	22:12:54.000	488AI6C	6TMSED	NORM,AL5	Sci, Eng, and D/L Chan	200	4	0	4,024,064:34:0	
66	97	182	22:18:51.333	488AI6D	6TMSED	FILL,AL5	Sci, Eng, and D/L Chan	200	4	0	4,024,070:24:0	
67	97	182	22:42:57.333	488AI6E	6TMSED	NORM,AL5	Sci, Eng, and D/L Chan	200	4	0	4,024,094:09:0	
68	97	182	23:21:10.000	488AJ6A	6TMSED	NORM,AL6	Sci, Eng, and D/L Chan	200	4	0	4,024,131:81:0	
69	97	183	05:32:22.000	488AK6A	6TMSED	NORM,AL5	Sci, Eng, and D/L Chan	200	4	0	4,024,499:01:0	
70	97	183	06:10:46.000	488AK6B	6TMSED	NORM,AL6	Sci, Eng, and D/L Chan	200	4	0	4,024,536:90:0	
71	97	183	10:35:44.666	488AK6C	6TMSED	FILL,AL6	Sci, Eng, and D/L Chan	200	4	0	4,024,799:05:0	
72	97	183	10:39:34.000	488AK6D	6TMSED	FILL,AL8	Sci, Eng, and D/L Chan	200	4	0	4,024,802:76:0	
73	97	183	10:41:14.000	488AK6E	6TMSED	NORM,AL8	Sci, Eng, and D/L Chan	200	4	0	4,024,804:44:0	
74	97	183	20:28:22.000	488AL6A	6TMSED	NORM,AL7	Sci, Eng, and D/L Chan	200	4	0	4,025,385:15:0	
75	97	183	21:38:46.000	488AL6B	6TMSED	NORM,AL6	Sci, Eng, and D/L Chan	200	4	0	4,025,454:72:0	
76	97	183	22:12:53.933	488AL6C	6TMSED	NORM,AL5	Sci, Eng, and D/L Chan	200	4	0	4,025,488:50:0	
77	97	183	22:13:53.266	488AL6D	6TMSED	FILL,AL5	Sci, Eng, and D/L Chan	200	4	0	4,025,489:48:0	
78	97	183	22:23:00.600	488AL6E	6TMSED	NORM,AL5	Sci, Eng, and D/L Chan	200	4	0	4,025,498:50:0	
79	97	183	23:10:29.933	488AM6A	6TMSED	NORM,AL6	Sci, Eng, and D/L Chan	200	4	0	4,025,545:47:0	
80	97	184	05:43:01.933	488AN6A	6TMSED	NORM,AL5	Sci, Eng, and D/L Chan	200	4	0	4,025,933:67:0	
81	97	184	06:51:15.933	488AN6B	6TMSED	FILL,AL5	Sci, Eng, and D/L Chan	200	4	0	4,026,001:20:0	
82	97	184	06:51:17.933	488AN6C	6TMSED	FILL,AL6	Sci, Eng, and D/L Chan	200	4	0	4,026,001:23:0	
83	97	184	07:18:11.266	488AN6D	6TMSED	NORM,AL6	Sci, Eng, and D/L Chan	200	4	0	4,026,027:77:0	
84	97	184	10:27:12.600	488AN6E	6TMSED	FILL,AL6	Sci, Eng, and D/L Chan	200	4	0	4,026,214:72:0	
85	97	184	10:31:01.933	488AO6A	6TMSED	FILL,AL8	Sci, Eng, and D/L Chan	200	4	0	4,026,218:52:0	
86	97	184	10:32:41.933	488AO6B	6TMSED	NORM,AL8	Sci, Eng, and D/L Chan	200	4	0	4,026,220:20:0	
87	97	184	15:18:25.266	488AO6C	6TMSED	FILL,AL8	Sci, Eng, and D/L Chan	200	4	0	4,026,502:73:0	
88	97	184	15:41:49.933	488AO6D	6TMSED	NORM,AL8	Sci, Eng, and D/L Chan	200	4	0	4,026,525:87:0	
89	97	184	20:21:57.933	488AP6A	6TMSED	NORM,AL7	Sci, Eng, and D/L Chan	200	4	0	4,026,803:01:0	
90	97	184	21:38:45.933	488AP6B	6TMSED	NORM,AL6	Sci, Eng, and D/L Chan	200	4	0	4,026,878:88:0	
91	97	184	21:44:52.600	488AP6C	6TMSED	FILL,AL6	Sci, Eng, and D/L Chan	200	4	0	4,026,885:01:0	
92	97	184	21:47:17.933	488AP6D	6TMSED	FILL,AL5	Sci, Eng, and D/L Chan	200	4	0	4,026,887:37:0	
93	97	184	23:03:04.600	488AP6E	6TMSED	NORM,AL5	Sci, Eng, and D/L Chan	200	4	0	4,026,962:32:0	
94	97	184	23:14:45.933	488AQ6A	6TMSED	NORM,AL6	Sci, Eng, and D/L Chan	200	4	0	4,026,973:83:0	
95	97	185	05:23:49.866	488AR6A	6TMSED	NORM,AL5	Sci, Eng, and D/L Chan	200	4	0	4,027,338:84:0	
96	97	185	06:00:05.866	488AR6B	6TMSED	NORM,AL6	Sci, Eng, and D/L Chan	200	4	0	4,027,374:72:0	
97	97	185	06:29:59.866	488AR6C	6TMSED	NORM,FL6	Sci, Eng, and D/L Chan	200	4	0	4,027,404:33:0	
98	97	185	06:32:39.866	176KA6A	6TMREC	PPB	PAUSE PLAYBACK (PB CONTROL) Record Mode C	200	4	0	4,027,407:00:0	
99	97	185	06:34:59.866	41SH99A	POWER	PWR MODE change	Change to Data Taking Mode	200	4	0	4,027,409:28:0	
100	97	185	06:35:03.866	41SH3A	40T1PR		1 PCT Heater 1 OFF (primary relay)	200	4	0	4,027,409:34:0	
101	97	185	06:35:13.866	41SH3B	40T1PR		2 PCT Heater 1 OFF (primary relay)	200	4	0	4,027,409:49:0	
102	97	185	06:35:23.866	41SH3C	40T2R		1 PCT Heater 2 OFF	200	4	0	4,027,409:64:0	
103	97	185	06:35:33.866	41SH3D	40T2R		2 PCT Heater 2 OFF	200	4	0	4,027,409:79:0	
104	97	185	06:39:44.533		DMS:	: *E4-DELAY	RDY, TRACK 1, FWD, TIC 202.12 +/-	200	4	0	4,027,414:00:0	
105	97	185	06:39:44.533		DMS:	: *SLEW-TIC	P7, TRACK 1, FWD, TIC 202.12 +/-	200	4	0	4,027,414:00:0	
106	97	185	06:39:44.533	465KK6A	6DMST		250 DMS Slew to TIC	200	4	0	4,027,414:00:0	
107	97	185	06:39:44.533		DMS:	: *TURNARND	P7, TRACK *1, FWD, TIC 202.12 +/-	200	4	0	4,027,414:00:0	
108	97	185	06:39:51.200		DMS:	: *RUNUP	P7, TRACK 1, FWD, TIC 202.12 +/-	200	4	0	4,027,414:10:0	

Line	YR	DOY	SCET - GMT	PSID	Command Parameters	Description	GCM	GO	GS	RIM	MFI
109	97	185	06:39:52.600		DMS: : *AT_SPD	P7, TRACK 1, FWD, TIC * 202.24 +/-	200	4	0	4,027,414:12:1	
110	97	185	06:43:06.666		DMS: : *RUNDOWN	P7, TRACK 1, FWD, TIC * 247.94 +/-	200	4	0	4,027,417:30:2	
111	97	185	06:43:07.866		DMS: : *READY	RDY, TRACK 1, FWD, TIC * 248.00 +/-	200	4	0	4,027,417:32:0	
112	97	185	10:27:12.533	488AR6D	6TMSED FILL_FL6	Sci, Eng, and D/L Chan	200	4	0	4,027,638:88:0	
113	97	185	10:29:59.866	488AR6E	6TMSED FILL_HL6	Sci, Eng, and D/L Chan	200	4	0	4,027,641:66:0	
114	97	185	10:30:00.533	282NZ432A431A6A	6RCDSL DDSNCG,PLSDSL,EP	Record Deselect (DDS o	200	4	0	4,027,641:67:0	
115	97	185	10:30:01.200	282NZ432A6A	6RTSL1	R/T Select of DDS and	200	4	0	4,027,641:68:0	
116	97	185	10:31:01.866	488AS6A	6TMSED FILL_HL8	Sci, Eng, and D/L Chan	200	4	0	4,027,642:68:0	
117	97	185	10:32:41.866	488AS6B	6TMSED NORM_HL8	Sci, Eng, and D/L Chan	200	4	0	4,027,644:36:0	
118	97	185	12:43:48.534	C9NNINERTL01-	*****START*****		200	4	0	:	
119	97	185	13:04:59.866	444UB443A4B	7MODE INT	AACS INERTIAL MODE	200	4	0	4,027,795:02:0	
120	97	185	13:34:21.867	C9NNINERTL01-	*****STOP*****		200	4	0	:	
121	97	185	13:39:21.200	465KM6A	6DMSC RDY_4	DMS Control Tape stop	200	4	0	4,027,829:00:0	
122	97	185	13:39:21.200		DMS: : READY	RDY, TRACK *4, *REV, TIC 248.00 +/-	200	4	0	4,027,829:00:0	
123	97	185	13:39:25.200	C9NNCHOPON02-	*****START*****		200	4	0	:	
124	97	185	13:42:18.533	125DZ	NIMSINIT GS	##### GROUP START INIT	200	4	0	4,027,831:84:0	
125	97	185	13:42:18.533	125DZ4A	37IST 1.0,0,OFF,0,0,0	Chopper ON, Sync, 63Hz (Ref)	260	4	0	4,027,831:84:0	
126	97	185	13:43:19.200	125DZ4B	37IST 1.2,0,OFF,0,0,0	Chopper ON, Sync, Chopper (Ref)	2R0	4	0	4,027,832:84:0	
127	97	185	13:44:17.866	465KN6A	6DTRN CMD,6DTRN,465KN6	DMS TRACK TURNAROUND	2R0	4	0	4,027,833:81:0	
128	97	185	13:44:17.866		DMS: : *US-RUNUP	P7, TRACK *1, *FWD, TIC 248.00 +/-	2R0	4	0	4,027,833:81:0	
129	97	185	13:44:17.866		DMS: : *US-TURN	P7, TRACK 4, REV, TIC 248.00 +/-	2R0	4	0	4,027,833:81:0	
130	97	185	13:44:19.266		DMS: : *US_AT_SP	P7, TRACK 1, FWD, TIC * 248.12 +/-	2R0	4	0	4,027,833:83:1	
131	97	185	13:44:19.866	125DZ11A	NIMSINIT GE	##### GROUP END INIT	2R0	4	0	4,027,833:84:0	
132	97	185	13:44:19.866	125DZ4C	37MB 0.0,0,0,0,0,0	Selects mirror (spatial) edit table	2R0	4	0	4,027,833:84:0	
133	97	185	13:44:24.533		DMS: : *US RD	P7, TRACK 1, FWD, TIC * 249.35 +/-	2R0	4	0	4,027,834:00:0	
134	97	185	13:44:25.733		DMS: : *RUNUP	P7, TRACK *4, *REV, TIC * 249.41 +/-	2R0	4	0	4,027,834:01:8	
135	97	185	13:44:27.133		DMS: : *AT_SPD	P7, TRACK 4, REV, TIC * 249.29 +/-	2R0	4	0	4,027,834:03:9	
136	97	185	13:47:57.933		DMS: : *REVERSE	P7, TRACK 4, REV, TIC * 199.87 +/-	2R0	4	0	4,027,837:47:1	
137	97	185	13:47:59.133		DMS: : *TURNARND	P7, TRACK *1, *FWD, TIC * 199.81 +/-	2R0	4	0	4,027,837:48:9	
138	97	185	13:47:59.133		DMS: : *RUNUP	P7, TRACK 1, FWD, TIC 199.81 +/-	2R0	4	0	4,027,837:48:9	
139	97	185	13:48:00.533		DMS: : *AT_SPD	P7, TRACK 1, FWD, TIC * 199.93 +/-	2R0	4	0	4,027,837:51:0	
140	97	185	13:48:12.533		DMS: : *AUTOSTOP	P7, TRACK 1, FWD, TIC * 202.06 +/-	2R0	4	0	4,027,837:69:0	
141	97	185	13:48:13.733		DMS: : *READY	RDY, TRACK 1, FWD, TIC * 202.12 +/-	2R0	4	0	4,027,837:70:8	
142	97	185	13:49:31.867	C9NNCHOPON02-	*****STOP*****		2R0	4	0	:	
143	97	185	13:51:29.200		DMS: : *E4-DELAY	RDY, TRACK 1, FWD, TIC 202.12 +/-	2R0	4	0	4,027,841:00:0	
144	97	185	13:51:29.200		DMS: : *SLEW-TIC	P7, TRACK 1, FWD, TIC 202.12 +/-	2R0	4	0	4,027,841:00:0	
145	97	185	13:51:29.200		DMS: : *TURNARND	P7, TRACK 1, FWD, TIC 202.12 +/-	2R0	4	0	4,027,841:00:0	
146	97	185	13:51:29.200	465KO6A	6DMST	212 DMS Slew to TIC	2R0	4	0	4,027,841:00:0	
147	97	185	13:51:35.866		DMS: : *RUNUP	P7, TRACK 1, FWD, TIC 202.12 +/-	2R0	4	0	4,027,841:10:0	
148	97	185	13:51:37.266		DMS: : *AT_SPD	P7, TRACK 1, FWD, TIC * 202.24 +/-	2R0	4	0	4,027,841:12:1	
149	97	185	13:52:09.333		DMS: : *RUNDOWN	P7, TRACK 1, FWD, TIC * 209.94 +/-	2R0	4	0	4,027,841:60:2	
150	97	185	13:52:10.533		DMS: : *READY	RDY, TRACK 1, FWD, TIC * 210.00 +/-	2R0	4	0	4,027,841:62:0	
151	97	185	13:52:27.200	176DZ6A	6TMREC NRC	NO RECORD Record Mode Change	2R0	4	0	4,027,841:87:0	
152	97	185	13:53:30.533		DMS: : READY	RDY, TRACK *3, FWD, TIC 210.00 +/-	2R0	4	0	4,027,843:00:0	
153	97	185	13:53:30.533	465KP6A	6DMSC RDY_3	DMS Control Tape stop	2R0	4	0	4,027,843:00:0	
154	97	185	13:54:35.200	C9JNAUCAMB01-	*****START*****		2R0	4	0	:	
155	97	185	13:55:31.200	165MR4A	7SCAN NORM,106.629999,	Check S/P Position	2R0	4	0	4,027,844:90:0	
156	97	185	13:57:28.533	125EZ	NIMSINIT GS	##### GROUP START INIT	2R0	4	0	4,027,846:84:0	
157	97	185	13:57:28.533	125EZ4A	37IST 0.2,0,OFF,0,1,1	Gain State 4	4R0	4	0	4,027,846:84:0	
158	97	185	13:57:28.533	125EZ11A	NIMSINIT GE	##### GROUP END INIT	4R0	4	0	4,027,846:84:0	
159	97	185	13:58:29.200	127EZ	NIMSTAB GS	%%%%% GROUP START TAB	4R0	4	0	4,027,847:84:0	
160	97	185	13:58:29.200	127EZ4A	37IOP 1.0	Full Map, Grating Start Position =00	4R1	4	0	4,027,847:84:0	
161	97	185	13:58:29.866	127EZ4B	37ETB 0A,C,A,0C,3D,FC,0	Loads wavelength edit table	4R1	4	0	4,027,847:85:0	
162	97	185	13:58:37.866	127EZ11A	NIMSTAB GE	%%%% GROUP END TAB	4R1	4	0	4,027,848:06:0	
163	97	185	13:59:23.200		DMS: : *E4-DELAY	RDY, TRACK *1, FWD, TIC 210.00 +/-	4R1	4	0	4,027,848:74:0	

Line	YR	DOY	SCET - GMT	PSID	Command	Parameters	Description	GCM	GO	GS	RIM	MFI
164	97	185	13:59:23.200	175EZ422A6A	6DMSC	R7,3	DMS Control	4R1	4	0	4,027,848:74:0	
165	97	185	13:59:25.200	117MR	CSMOS	GS	***** GROUP START CSMOS	4R1	4	0	4,027,848:77:0	
166	97	185	13:59:29.866		DMS:	:*RUNUP	R7, TRACK *3, FWD, TIC 210.00 +/-	4R1	4	0	4,027,848:84:0	
167	97	185	13:59:31.200	175EZ176A6A	6TMREC	LPU	7.68 KBPS NIMS-UVS-PPR RECORD Record Mode	4R1	4	0	4,027,848:86:0	
168	97	185	13:59:31.266		DMS:	:*RECORD	R7, TRACK 3, FWD, TIC * 210.12 +/-	4R1	4	0	4,027,848:86:1	
169	97	185	13:59:31.266		DMS:	:*AT SPD	R7, TRACK 3, FWD, TIC 210.12 +/-	4R1	4	0	4,027,848:86:1	
170	97	185	13:59:34.533	C9JNAUCAMB01-	NIMPBK	301KE	AURORAL CAMPAIGN B MAP NO. 1	4R1	4	0	:	
171	97	185	13:59:34.533	117MR105A106A4A	7STRP	0.028007,0.0002,	Slew = 0.12	4R1	4	0	4,027,849:00:0	
172	97	185	14:04:34.533	117MR11A	CSMOS	GE	***** GROUP END CSMOS	4R1	4	0	4,027,853:86:0	
173	97	185	14:04:37.866	C9JNAUCAMB01-	DESEL	300KE	AURORAL CAMPAIGN B MAP NO. 1	4R1	4	0	:	
174	97	185	14:04:39.866		DMS:	:*RUNDOWN	R7, TRACK 3, FWD, TIC * 282.45 +/-	4R1	4	0	4,027,854:03:0	
175	97	185	14:04:39.866	175EZ2A6B	6DMSC	RDY,0	DMS Control Tape stop	4R1	4	0	4,027,854:03:0	
176	97	185	14:04:39.866	175EZ26A	6TMREC	NRC	NO RECORD Record Mode Change	4R1	4	0	4,027,854:03:0	
177	97	185	14:04:41.066		DMS:	:*READY	RDY, TRACK 3, FWD, TIC * 282.51 +/-	4R1	4	0	4,027,854:04:8	
178	97	185	14:04:41.867	C9JNAUCAMB01-		-----STOP-----		4R1	4	0	:	
179	97	185	14:09:30.533		DMS:	:*E4-DELAY	RDY, TRACK *1, FWD, TIC 282.51 +/-	4R1	4	0	4,027,858:75:0	
180	97	185	14:09:30.533	175MC422A6A	6DMSC	R7,3	DMS Control	4R1	4	0	4,027,858:75:0	
181	97	185	14:09:37.200		DMS:	:*RUNUP	R7, TRACK *3, FWD, TIC 282.51 +/-	4R1	4	0	4,027,858:85:0	
182	97	185	14:09:38.533	175MC176A6A	6TMREC	LPW	7.68 KBPS LOW RATE SCI PWS RECORD Record	4R1	4	0	4,027,858:87:0	
183	97	185	14:09:38.533	282NA431A6A	6RCSEL	DDSCNG,PLSSEL,EP	Record Select (DDS onl)	4R1	4	0	4,027,858:87:0	
184	97	185	14:09:38.600		DMS:	:*RECORD	R7, TRACK 3, FWD, TIC * 282.63 +/-	4R1	4	0	4,027,858:87:1	
185	97	185	14:09:38.600		DMS:	:*AT SPD	R7, TRACK 3, FWD, TIC 282.63 +/-	4R1	4	0	4,027,858:87:1	
186	97	185	14:09:41.200	431OE6A	6RCSEL	DDSCNG,PLSNCG,EP	Record Select (DDS onl)	4R1	4	0	4,027,859:00:0	
187	97	185	14:09:45.200	C9JNAURRTB01-		-----START-----		4R1	4	0	:	
188	97	185	14:10:37.200	125LZ4A	37IST	0.2,0,OFF,0.1,1	Gain State 4	4R1	4	0	4,027,859:84:0	
189	97	185	14:10:37.200	125LZ	NIMSINIT	GS	##### GROUP START INIT	4R1	4	0	4,027,859:84:0	
190	97	185	14:11:37.866	125LZ4B	37MB	1B,1B,0,0,0,0	Selects mirror (spatial) edit table	4R1	4	0	4,027,860:84:0	
191	97	185	14:11:37.866	125LZ11A	NIMSINIT	GE	##### GROUP END INIT	4R1	4	0	4,027,860:84:0	
192	97	185	14:12:38.533	127LZ4A	37IOP	3,0	Long Map, Grating Start Position =00	4R3	4	0	4,027,861:84:0	
193	97	185	14:12:38.533	127LZ	NIMSTAB	GS	%%%% GROUP START TAB	4R3	4	0	4,027,861:84:0	
194	97	185	14:12:39.200	127LZ4B	37ETB	04,C4,35,FF,FF	Loads wavelength edit table	4R3	4	0	4,027,861:85:0	
195	97	185	14:12:42.533	165MS4A	7SCAN	NORM,105.643,23.	Check S/P Position	4R3	4	0	4,027,861:90:0	
196	97	185	14:12:47.200	127LZ11A	NIMSTAB	GE	%%%% GROUP END TAB	4R3	4	0	4,027,862:06:0	
197	97	185	14:13:03.200	432KA6A	6RTSL2	NIMSEL,AACNCG,RT	NIMS R/T SELECT	4R3	4	0	4,027,862:30:0	
198	97	185	14:18:05.200	432KB6A	6RTDS2	NIMDSL,AACNCG,RT	NIMS R/T DESELECT	4R3	4	0	4,027,867:28:0	
199	97	185	14:18:51.200	C9JNAURRTB01-		-----STOP-----		4R3	4	0	:	
200	97	185	14:19:41.867	C9HNSTRCAL01-		-----START-----		4R3	4	0	:	
201	97	185	14:19:47.200	165EP4A	7SCAN	NORM,278.893997,	Check S/P Position	4R3	4	0	4,027,868:90:0	
202	97	185	14:22:45.200	127LY	NIMSTAB	GS	%%%% GROUP START TAB	4R3	4	0	4,027,871:84:0	
203	97	185	14:22:45.200	127LY4A	37IOP	7,0	Fixed Map, Grating Start Position =00	4R7	4	0	4,027,871:84:0	
204	97	185	14:22:45.866	127LY4B	37ETB	07,C7,19,FF,FF,0	Loads wavelength edit table	4R7	4	0	4,027,871:85:0	
205	97	185	14:22:53.866	127LY11A	NIMSTAB	GE	%%%% GROUP END TAB	4R7	4	0	4,027,872:06:0	
206	97	185	14:23:09.866	432KK6A	6RTSL2	NIMSEL,AACNCG,RT	NIMS R/T SELECT	4R7	4	0	4,027,872:30:0	
207	97	185	14:23:41.200	117EP	CSMOS	GS	***** GROUP START CSMOS	4R7	4	0	4,027,872:77:0	
208	97	185	14:23:50.533	117EP105A106A4A	7STRP	-0.003,0.0,0.0,0	Slew = 0.76	4R7	4	0	4,027,873:00:0	
209	97	185	14:24:00.533	117EP105A106A4B	7STRP	0.003,0.0,0.0,0	Slew =12.01	4R7	4	0	4,027,873:15:0	
210	97	185	14:24:07.200	117EP105A106A4C	7STRP	-0.003,0.0,0.0,0	Slew = 0.76	4R7	4	0	4,027,873:25:0	
211	97	185	14:24:17.200	117EP105A106A4D	7STRP	0.003,0.0,0.0,0	Slew =12.01	4R7	4	0	4,027,873:40:0	
212	97	185	14:24:23.866	117EP105A106A4E	7STRP	-0.003,0.0,0.0,0	Slew = 0.76	4R7	4	0	4,027,873:50:0	
213	97	185	14:24:33.866	117EP105A106A4F	7STRP	0.003,0.0,0.0,0	Slew =12.01	4R7	4	0	4,027,873:65:0	
214	97	185	14:24:40.533	117EP105A106A4G	7STRP	-0.003,0.0,0.0,0	Slew =-0.76	4R7	4	0	4,027,873:75:0	
215	97	185	14:24:46.533	127LA	NIMSTAB	GS	%%%% GROUP START TAB	4R7	4	0	4,027,873:84:0	
216	97	185	14:24:46.533	127LA4A	37IOP	7,1	Fixed Map, Grating Start Position =01	4R7	4	1	4,027,873:84:0	
217	97	185	14:24:47.200	127LA4B	37ETB	07,C7,19,FF,FF,0	Loads wavelength edit table	4R7	4	1	4,027,873:85:0	
218	97	185	14:24:50.533	117EP105A106A4H	7STRP	0.003,0.0,0.0,0	Slew =12.01	4R7	4	1	4,027,873:90:0	

Line	YR	DOY	SCET - GMT	PSID	Command	Parameters	Description	GCM	GO	GS	RIM	MFI
219	97	185	14:24:55.200	127LA11A	NIMSTAB	GE	%%%%GROUP END TAB	4R7	4	1	4,027,874:06:0	
220	97	185	14:24:57.200	117EP105A106A4I	7STRP	-0.003,0.0,0.0,0.0	Slew = 0.76	4R7	4	1	4,027,874:09:0	
221	97	185	14:25:07.200	117EP105A106A4J	7STRP	0.003,0.0,0.0,0.0	Slew = 12.01	4R7	4	1	4,027,874:24:0	
222	97	185	14:25:13.866	117EP105A106A4K	7STRP	-0.003,0.0,0.0,0.0	Slew = 0.76	4R7	4	1	4,027,874:34:0	
223	97	185	14:25:23.866	117EP105A106A4L	7STRP	0.003,0.0,0.0,0.0	Slew = 12.01	4R7	4	1	4,027,874:49:0	
224	97	185	14:25:30.533	117EP105A106A4M	7STRP	-0.003,0.0,0.0,0.0	Slew = 0.76	4R7	4	1	4,027,874:59:0	
225	97	185	14:25:40.533	117EP105A106A4N	7STRP	0.003,0.0,0.0,0.0	Slew = 12.01	4R7	4	1	4,027,874:74:0	
226	97	185	14:25:47.200	127FS	NIMSTAB	GS	%%%%GROUP START TAB	4R7	4	1	4,027,874:84:0	
227	97	185	14:25:47.200	117EP105A106A4O	7STRP	-0.003,0.0,0.0,0.0	Slew = 0.76	4R7	4	1	4,027,874:84:0	
228	97	185	14:25:47.200	127FS4A	37IOP	7,2	Fixed Map, Grating Start Position =02	4R7	4	2	4,027,874:84:0	
229	97	185	14:25:47.866	127FS4B	37ETB	07,C7,19,FF,FF,0	Loads wavelength edit table	4R7	4	2	4,027,874:85:0	
230	97	185	14:25:55.866	127FS11A	NIMSTAB	GE	%%%%GROUP END TAB	4R7	4	2	4,027,875:06:0	
231	97	185	14:25:57.200	117EP105A106A4P	7STRP	0.003,0.0,0.0,0.0	Slew = 12.01	4R7	4	2	4,027,875:08:0	
232	97	185	14:26:03.866	117EP105A106A4Q	7STRP	-0.003,0.0,0.0,0.0	Slew = 0.76	4R7	4	2	4,027,875:18:0	
233	97	185	14:26:13.866	117EP105A106A4R	7STRP	0.003,0.0,0.0,0.0	Slew = 12.01	4R7	4	2	4,027,875:33:0	
234	97	185	14:26:20.533	117EP105A106A4S	7STRP	-0.003,0.0,0.0,0.0	Slew = 0.76	4R7	4	2	4,027,875:43:0	
235	97	185	14:26:30.533	117EP105A106A4T	7STRP	0.003,0.0,0.0,0.0	Slew = 12.01	4R7	4	2	4,027,875:58:0	
236	97	185	14:26:37.200	117EP105A106A4U	7STRP	-0.003,0.0,0.0,0.0	Slew = 0.76	4R7	4	2	4,027,875:68:0	
237	97	185	14:26:47.200	117EP105A106A4V	7STRP	0.003,0.0,0.0,0.0	Slew = 12.01	4R7	4	2	4,027,875:83:0	
238	97	185	14:26:47.866	127FR4A	37IOP	7,3	Fixed Map, Grating Start Position =03	4R7	4	3	4,027,875:84:0	
239	97	185	14:26:47.866	127FR	NIMSTAB	GS	%%%%GROUP START TAB	4R7	4	3	4,027,875:84:0	
240	97	185	14:26:48.533	127FR4B	37ETB	07,C7,19,FF,FF,0	Loads wavelength edit table	4R7	4	3	4,027,875:85:0	
241	97	185	14:26:53.866	117EP105A106A4W	7STRP	-0.003,0.0,0.0,0.0	Slew = 0.76	4R7	4	3	4,027,876:02:0	
242	97	185	14:26:56.533	127FR11A	NIMSTAB	GE	%%%%GROUP END TAB	4R7	4	3	4,027,876:06:0	
243	97	185	14:27:03.866	117EP105A106A4X	7STRP	0.003,0.0,0.0,0.0	Slew = 12.01	4R7	4	3	4,027,876:17:0	
244	97	185	14:27:10.533	117EP105A106A4Y	7STRP	-0.003,0.0,0.0,0.0	Slew = 0.76	4R7	4	3	4,027,876:27:0	
245	97	185	14:27:20.533	117EP105A106A4Z	7STRP	0.003,0.0,0.0,0.0	Slew = 12.01	4R7	4	3	4,027,876:42:0	
246	97	185	14:27:27.200	117EP105A106A4AA	7STRP	-0.003,0.0,0.0,0.0	Slew = 0.76	4R7	4	3	4,027,876:52:0	
247	97	185	14:27:37.200	117EP105A106A4AB	7STRP	0.003,0.0,0.0,0.0	Slew = 12.01	4R7	4	3	4,027,876:67:0	
248	97	185	14:27:43.866	117EP105A106A4AC	7STRP	-0.003,0.0,0.0,0.0	Slew = 0.76	4R7	4	3	4,027,876:77:0	
249	97	185	14:27:48.533	127FQ	NIMSTAB	GS	%%%%GROUP START TAB	4R7	4	3	4,027,876:84:0	
250	97	185	14:27:48.533	127FQ4A	37IOP	7,4	Fixed Map, Grating Start Position =04	4R7	4	4	4,027,876:84:0	
251	97	185	14:27:49.200	127FQ4B	37ETB	07,C7,19,FF,FF,0	Loads wavelength edit table	4R7	4	4	4,027,876:85:0	
252	97	185	14:27:53.866	117EP105A106A4AD	7STRP	0.003,0.0,0.0,0.0	Slew = 12.01	4R7	4	4	4,027,877:01:0	
253	97	185	14:27:57.200	127FQ11A	NIMSTAB	GE	%%%%GROUP END TAB	4R7	4	4	4,027,877:06:0	
254	97	185	14:28:00.533	117EP105A106A4AE	7STRP	-0.003,0.0,0.0,0.0	Slew = 0.76	4R7	4	4	4,027,877:11:0	
255	97	185	14:28:10.533	117EP105A106A4AF	7STRP	0.003,0.0,0.0,0.0	Slew = 12.01	4R7	4	4	4,027,877:26:0	
256	97	185	14:28:17.200	117EP105A106A4AG	7STRP	-0.003,0.0,0.0,0.0	Slew = 0.76	4R7	4	4	4,027,877:36:0	
257	97	185	14:28:27.200	117EP105A106A4AH	7STRP	0.003,0.0,0.0,0.0	Slew = 12.01	4R7	4	4	4,027,877:51:0	
258	97	185	14:28:33.866	117EP105A106A4AI	7STRP	-0.003,0.0,0.0,0.0	Slew = 0.76	4R7	4	4	4,027,877:61:0	
259	97	185	14:28:43.866	117EP105A106A4AJ	7STRP	0.003,0.0,0.0,0.0	Slew = 12.01	4R7	4	4	4,027,877:76:0	
260	97	185	14:28:49.200	127FO4A	37IOP	7,5	Fixed Map, Grating Start Position =05	4R7	4	5	4,027,877:84:0	
261	97	185	14:28:49.200	127FO	NIMSTAB	GS	%%%%GROUP START TAB	4R7	4	5	4,027,877:84:0	
262	97	185	14:28:49.866	127FO4B	37ETB	07,C7,19,FF,FF,0	Loads wavelength edit table	4R7	4	5	4,027,877:85:0	
263	97	185	14:28:50.533	117EP105A106A4AK	7STRP	-0.003,0.0,0.0,0.0	Slew = 0.76	4R7	4	5	4,027,877:86:0	
264	97	185	14:28:57.866	127FO11A	NIMSTAB	GE	%%%%GROUP END TAB	4R7	4	5	4,027,878:06:0	
265	97	185	14:29:00.533	117EP105A106A4AL	7STRP	0.003,0.0,0.0,0.0	Slew = 12.01	4R7	4	5	4,027,878:10:0	
266	97	185	14:29:07.200	117EP105A106A4AM	7STRP	-0.003,0.0,0.0,0.0	Slew = 0.76	4R7	4	5	4,027,878:20:0	
267	97	185	14:29:17.200	117EP105A106A4AN	7STRP	0.003,0.0,0.0,0.0	Slew = 12.01	4R7	4	5	4,027,878:35:0	
268	97	185	14:29:23.866	117EP105A106A4AO	7STRP	-0.003,0.0,0.0,0.0	Slew = 0.76	4R7	4	5	4,027,878:45:0	
269	97	185	14:29:33.866	117EP105A106A4AP	7STRP	0.003,0.0,0.0,0.0	Slew = 12.01	4R7	4	5	4,027,878:60:0	
270	97	185	14:29:40.533	117EP105A106A4AQ	7STRP	-0.003,0.0,0.0,0.0	Slew = 0.76	4R7	4	5	4,027,878:70:0	
271	97	185	14:29:49.866	127FN	NIMSTAB	GS	%%%%GROUP START TAB	4R7	4	5	4,027,878:84:0	
272	97	185	14:29:49.866	127FN4A	37IOP	7,6	Fixed Map, Grating Start Position =06	4R7	4	6	4,027,878:84:0	
273	97	185	14:29:50.533	127FN4B	37ETB	07,C7,19,FF,FF,0	Loads wavelength edit table	4R7	4	6	4,027,878:85:0	

Line	YR	DOY	SCET - GMT	PSID	Command	Parameters	Description	GCM	GO	GS	RIM	MFI
274	97	185	14:29:50.533	117EP105A106A4AR	7STRP	0.003,0.0,0.0,0.0	Slew =12.01	4R7	4	6	4,027,878:85:0	
275	97	185	14:29:57.200	117EP105A106A4AS	7STRP	-0.003,0.0,0.0,0.0	Slew = 0.76	4R7	4	6	4,027,879:04:0	
276	97	185	14:29:58.533	127FN11A	NIMSTAB	GE	%%%%GROUP END	TAB	4R7	4	6	4,027,879:06:0
277	97	185	14:30:07.200	117EP105A106A4AT	7STRP	0.003,0.0,0.0,0.0	Slew =12.01	4R7	4	6	4,027,879:19:0	
278	97	185	14:30:13.866	117EP105A106A4AU	7STRP	-0.003,0.0,0.0,0.0	Slew = 0.76	4R7	4	6	4,027,879:29:0	
279	97	185	14:30:23.866	117EP105A106A4AV	7STRP	0.003,0.0,0.0,0.0	Slew =12.01	4R7	4	6	4,027,879:44:0	
280	97	185	14:30:30.533	117EP105A106A4AW	7STRP	-0.003,0.0,0.0,0.0	Slew = 0.76	4R7	4	6	4,027,879:54:0	
281	97	185	14:30:40.533	117EP105A106A4AX	7STRP	0.003,0.0,0.0,0.0	Slew =12.01	4R7	4	6	4,027,879:69:0	
282	97	185	14:30:47.200	117EP105A106A4AY	7STRP	-0.003,0.0,0.0,0.0	Slew = 0.76	4R7	4	6	4,027,879:79:0	
283	97	185	14:30:50.533	127FM4A	37IOP	7,8	Fixed Map, Grating Start Position =07	4R7	4	7	4,027,879:84:0	
284	97	185	14:30:50.533	127FM4B	NIMSTAB	GS	%%%%GROUP START	TAB	4R7	4	7	4,027,879:84:0
285	97	185	14:30:51.200	127FM4B	37ETB	07,C7,19,FF,FF,0	Loads wavelength edit table	4R7	4	7	4,027,879:85:0	
286	97	185	14:30:57.200	117EP105A106A4AZ	7STRP	0.003,0.0,0.0,0.0	Slew =12.01	4R7	4	7	4,027,880:03:0	
287	97	185	14:30:59.200	127FM11A	NIMSTAB	GE	%%%%GROUP END	TAB	4R7	4	7	4,027,880:06:0
288	97	185	14:31:03.866	117EP105A106A4BA	7STRP	-0.003,0.0,0.0,0.0	Slew = 0.76	4R7	4	7	4,027,880:13:0	
289	97	185	14:31:13.866	117EP105A106A4BB	7STRP	0.003,0.0,0.0,0.0	Slew =12.01	4R7	4	7	4,027,880:28:0	
290	97	185	14:31:20.533	117EP105A106A4BC	7STRP	-0.003,0.0,0.0,0.0	Slew = 0.76	4R7	4	7	4,027,880:38:0	
291	97	185	14:31:30.533	117EP105A106A4BD	7STRP	0.003,0.0,0.0,0.0	Slew =12.01	4R7	4	7	4,027,880:53:0	
292	97	185	14:31:37.200	117EP105A106A4BE	7STRP	-0.003,0.0,0.0,0.0	Slew = 0.76	4R7	4	7	4,027,880:63:0	
293	97	185	14:31:47.200	117EP105A106A4BF	7STRP	0.003,0.0,0.0,0.0	Slew =12.01	4R7	4	7	4,027,880:78:0	
294	97	185	14:31:51.200	127FL4A	37IOP	7,8	Fixed Map, Grating Start Position =08	4R7	4	8	4,027,880:84:0	
295	97	185	14:31:51.200	127FL4A	NIMSTAB	GS	%%%%GROUP START	TAB	4R7	4	8	4,027,880:84:0
296	97	185	14:31:51.866	127FL4B	37ETB	07,C7,19,FF,FF,0	Loads wavelength edit table	4R7	4	8	4,027,880:85:0	
297	97	185	14:31:53.866	117EP105A106A4BG	7STRP	-0.003,0.0,0.0,0.0	Slew = 0.76	4R7	4	8	4,027,880:88:0	
298	97	185	14:31:59.866	127FL11A	NIMSTAB	GE	%%%%GROUP END	TAB	4R7	4	8	4,027,881:06:0
299	97	185	14:32:03.866	117EP105A106A4BH	7STRP	0.003,0.0,0.0,0.0	Slew =12.01	4R7	4	8	4,027,881:12:0	
300	97	185	14:32:10.533	117EP105A106A4BI	7STRP	-0.003,0.0,0.0,0.0	Slew = 0.76	4R7	4	8	4,027,881:22:0	
301	97	185	14:32:20.533	117EP105A106A4BJ	7STRP	0.003,0.0,0.0,0.0	Slew =12.01	4R7	4	8	4,027,881:37:0	
302	97	185	14:32:27.200	117EP105A106A4BK	7STRP	-0.003,0.0,0.0,0.0	Slew = 0.76	4R7	4	8	4,027,881:47:0	
303	97	185	14:32:37.200	117EP105A106A4BL	7STRP	0.003,0.0,0.0,0.0	Slew =12.01	4R7	4	8	4,027,881:62:0	
304	97	185	14:32:43.866	117EP105A106A4BM	7STRP	-0.003,0.0,0.0,0.0	Slew = 0.76	4R7	4	8	4,027,881:72:0	
305	97	185	14:32:51.866	127FK	NIMSTAB	GS	%%%%GROUP START	TAB	4R7	4	8	4,027,881:84:0
306	97	185	14:32:51.866	127FK4A	37IOP	7,9	Fixed Map, Grating Start Position =09	4R7	4	9	4,027,881:84:0	
307	97	185	14:32:52.533	127FK4B	37ETB	07,C7,19,FF,FF,0	Loads wavelength edit table	4R7	4	9	4,027,881:85:0	
308	97	185	14:32:53.866	117EP105A106A4BN	7STRP	0.003,0.0,0.0,0.0	Slew =12.01	4R7	4	9	4,027,881:87:0	
309	97	185	14:33:00.533	127FK11A	NIMSTAB	GE	%%%%GROUP END	TAB	4R7	4	9	4,027,882:06:0
310	97	185	14:33:00.533	117EP105A106A4BO	7STRP	-0.003,0.0,0.0,0.0	Slew = 0.76	4R7	4	9	4,027,882:06:0	
311	97	185	14:33:10.533	117EP105A106A4BP	7STRP	0.003,0.0,0.0,0.0	Slew =12.01	4R7	4	9	4,027,882:21:0	
312	97	185	14:33:17.200	117EP105A106A4BQ	7STRP	-0.003,0.0,0.0,0.0	Slew = 0.76	4R7	4	9	4,027,882:31:0	
313	97	185	14:33:27.200	117EP105A106A4BR	7STRP	0.003,0.0,0.0,0.0	Slew =12.01	4R7	4	9	4,027,882:46:0	
314	97	185	14:33:33.866	117EP105A106A4BS	7STRP	-0.003,0.0,0.0,0.0	Slew = 0.76	4R7	4	9	4,027,882:56:0	
315	97	185	14:33:43.866	117EP105A106A4BT	7STRP	0.003,0.0,0.0,0.0	Slew =12.01	4R7	4	9	4,027,882:71:0	
316	97	185	14:33:50.533	117EP105A106A4BU	7STRP	-0.003,0.0,0.0,0.0	Slew = 0.76	4R7	4	9	4,027,882:81:0	
317	97	185	14:33:52.533	127FJ	NIMSTAB	GS	%%%%GROUP START	TAB	4R7	4	9	4,027,882:84:0
318	97	185	14:33:52.533	127FJ4A	37IOP	7,10	Fixed Map, Grating Start Position =10	4R7	4	10	4,027,882:84:0	
319	97	185	14:33:53.200	127FJ4B	37ETB	07,C7,19,FF,FF,0	Loads wavelength edit table	4R7	4	10	4,027,882:85:0	
320	97	185	14:34:00.533	117EP105A106A4BV	7STRP	0.003,0.0,0.0,0.0	Slew =12.01	4R7	4	10	4,027,883:05:0	
321	97	185	14:34:01.200	127FJ11A	NIMSTAB	GE	%%%%GROUP END	TAB	4R7	4	10	4,027,883:06:0
322	97	185	14:34:07.200	117EP105A106A4BW	7STRP	-0.003,0.0,0.0,0.0	Slew = 0.76	4R7	4	10	4,027,883:15:0	
323	97	185	14:34:17.200	117EP105A106A4BX	7STRP	0.003,0.0,0.0,0.0	Slew =12.01	4R7	4	10	4,027,883:30:0	
324	97	185	14:34:23.866	117EP105A106A4BY	7STRP	-0.003,0.0,0.0,0.0	Slew = 0.76	4R7	4	10	4,027,883:40:0	
325	97	185	14:34:33.866	117EP105A106A4BZ	7STRP	0.003,0.0,0.0,0.0	Slew =12.01	4R7	4	10	4,027,883:55:0	
326	97	185	14:34:40.533	117EP105A106A4CA	7STRP	-0.003,0.0,0.0,0.0	Slew = 0.76	4R7	4	10	4,027,883:65:0	
327	97	185	14:34:50.533	117EP105A106A4CB	7STRP	0.003,0.0,0.0,0.0	Slew =12.01	4R7	4	10	4,027,883:80:0	
328	97	185	14:34:53.200	127FI	NIMSTAB	GS	%%%%GROUP START	TAB	4R7	4	10	4,027,883:84:0

Line	YR	DOY	SCET - GMT	PSID	Command	Parameters	Description	GCM	GO	GS	RIM	MFI
329	97	185	14:34:53.200	127F14A	37IOP	7,11	Fixed Map, Grating Start Position =11	4R7	4	11	4,027,883:84:0	
330	97	185	14:34:53.866	127F14B	37ETB	07,C7,19,FF,FF,0	Loads wavelength edit table	4R7	4	11	4,027,883:85:0	
331	97	185	14:34:57.200	117EP105A106A4CC	7STRP	-0.003,0.0,0.0,0	Slew = 0.76	4R7	4	11	4,027,883:90:0	
332	97	185	14:35:01.866	127F11A	NIMSTAB	GE	%% %% % GROUP END TAB	4R7	4	11	4,027,884:06:0	
333	97	185	14:35:07.200	117EP105A106A4CD	7STRP	0.003,0.0,0.0,0	Slew = 12.01	4R7	4	11	4,027,884:14:0	
334	97	185	14:35:13.866	117EP105A106A4CE	7STRP	-0.003,0.0,0.0,0	Slew = 0.76	4R7	4	11	4,027,884:24:0	
335	97	185	14:35:16.533	432KL6A	6RTDS2	NIMDSL,AACNCG,RT	NIMS R/T DESELECT	4R7	4	11	4,027,884:28:0	
336	97	185	14:35:23.866	117EP11A	CSMOS	GE	**** GROUP END CSMOS	4R7	4	11	4,027,884:39:0	
337	97	185	14:36:02.534	C9HNSTRCAL01-		-----STOP-----		4R7	4	11	:	
338	97	185	14:39:04.534	C9JNAURRTB02-		-----START-----		4R7	4	11	:	
339	97	185	14:40:00.533	165MU4A	7SCAN	NORM,105.676999,	Check S/P Position	4R7	4	11	4,027,888:90:0	
340	97	185	14:42:58.533	127LX	NIMSTAB	GS	%% %% % GROUP START TAB	4R7	4	11	4,027,891:84:0	
341	97	185	14:42:58.533	127LX4A	37IOP	3,0	Long Map, Grating Start Position =00	4R3	4	0	4,027,891:84:0	
342	97	185	14:42:59.200	127LX4B	37ETB	04,C4,35,FF,FF	Loads wavelength edit table	4R3	4	0	4,027,891:85:0	
343	97	185	14:43:07.200	127LX11A	NIMSTAB	GE	%% %% % GROUP END TAB	4R3	4	0	4,027,892:06:0	
344	97	185	14:43:23.200	432KC6A	6RTSL2	NIMSEL,AACNCG,RT	NIMS R/T SELECT	4R3	4	0	4,027,892:30:0	
345	97	185	14:48:25.200	432KD6A	6RTDS2	NIMDSL,AACNCG,RT	NIMS R/T DESELECT	4R3	4	0	4,027,897:28:0	
346	97	185	14:49:11.200	C9JNAURRTB02-		-----STOP-----		4R3	4	0	:	
347	97	185	15:10:25.200	C9JNAURRTB03-		-----START-----		4R3	4	0	:	
348	97	185	15:11:41.866	165MV4A	7SCAN	NORM,105.709999,	Check S/P Position	4R3	4	0	4,027,920:30:0	
349	97	185	15:13:43.200	432KE6A	6RTSL2	NIMSEL,AACNCG,RT	NIMS R/T SELECT	4R3	4	0	4,027,922:30:0	
350	97	185	15:18:45.200	432KF6A	6RTDS2	NIMDSL,AACNCG,RT	NIMS R/T DESELECT	4R3	4	0	4,027,927:28:0	
351	97	185	15:19:31.200	C9JNAURRTB03-		-----STOP-----		4R3	4	0	:	
352	97	185	15:30:38.533	C9JNAURRTB04-		-----START-----		4R3	4	0	:	
353	97	185	15:31:55.200	165DB4A	7SCAN	NORM,105.733999,	Check S/P Position	4R3	4	0	4,027,940:30:0	
354	97	185	15:33:56.533	432KG6A	6RTSL2	NIMSEL,AACNCG,RT	NIMS R/T SELECT	4R3	4	0	4,027,942:30:0	
355	97	185	15:38:58.533	432KH6A	6RTDS2	NIMDSL,AACNCG,RT	NIMS R/T DESELECT	4R3	4	0	4,027,947:28:0	
356	97	185	15:39:44.533	C9JNAURRTB04-		-----STOP-----		4R3	4	0	:	
357	97	185	15:40:35.200	C9HNSTRCAL02-		-----START-----		4R3	4	0	:	
358	97	185	15:40:40.533	165DA4A	7SCAN	NORM,278.893997,	Check S/P Position	4R3	4	0	4,027,948:90:0	
359	97	185	15:43:38.533	127LW4A	37IOP	7,12	Fixed Map, Grating Start Position =12	4R7	4	12	4,027,951:84:0	
360	97	185	15:43:38.533	127LW	NIMSTAB	GS	%% %% % GROUP START TAB	4R7	4	12	4,027,951:84:0	
361	97	185	15:43:39.200	127LW4B	37ETB	07,C7,19,FF,FF,0	Loads wavelength edit table	4R7	4	12	4,027,951:85:0	
362	97	185	15:43:47.200	127LW11A	NIMSTAB	GE	%% %% % GROUP END TAB	4R7	4	12	4,027,952:06:0	
363	97	185	15:44:03.200	432KM6A	6RTSL2	NIMSEL,AACNCG,RT	NIMS R/T SELECT	4R7	4	12	4,027,952:30:0	
364	97	185	15:44:34.533	117DA	CSMOS	GS	**** GROUP START CSMOS	4R7	4	12	4,027,952:77:0	
365	97	185	15:44:43.866	117DA105A106A4A	7STRP	-0.003,0.0,0.0,0	Slew = 0.76	4R7	4	12	4,027,953:00:0	
366	97	185	15:44:53.866	117DA105A106A4B	7STRP	0.003,0.0,0.0,0	Slew = 12.01	4R7	4	12	4,027,953:15:0	
367	97	185	15:44:59.200	117DA105A106A4C	7STRP	-0.003,0.0,0.0,0	Slew = 0.76	4R7	4	12	4,027,953:23:0	
368	97	185	15:45:09.200	117DA105A106A4D	7STRP	0.003,0.0,0.0,0	Slew = 12.01	4R7	4	12	4,027,953:38:0	
369	97	185	15:45:14.533	117DA105A106A4E	7STRP	-0.003,0.0,0.0,0	Slew = 0.76	4R7	4	12	4,027,953:46:0	
370	97	185	15:45:24.533	117DA105A106A4F	7STRP	0.003,0.0,0.0,0	Slew = 12.01	4R7	4	12	4,027,953:61:0	
371	97	185	15:45:29.866	117DA105A106A4G	7STRP	-0.003,0.0,0.0,0	Slew = 0.76	4R7	4	12	4,027,953:69:0	
372	97	185	15:45:39.866	127FH	NIMSTAB	GS	%% %% % GROUP START TAB	4R7	4	12	4,027,953:84:0	
373	97	185	15:45:39.866	117DA105A106A4H	7STRP	0.003,0.0,0.0,0	Slew = 12.01	4R7	4	12	4,027,953:84:0	
374	97	185	15:45:39.866	127FH4A	37IOP	7,13	Fixed Map, Grating Start Position =13	4R7	4	13	4,027,953:84:0	
375	97	185	15:45:40.533	127FH4B	37ETB	07,C7,19,FF,FF,0	Loads wavelength edit table	4R7	4	13	4,027,953:85:0	
376	97	185	15:45:45.200	117DA105A106A4I	7STRP	-0.003,0.0,0.0,0	Slew = 0.76	4R7	4	13	4,027,954:01:0	
377	97	185	15:45:48.533	127FH11A	NIMSTAB	GE	%% %% % GROUP END TAB	4R7	4	13	4,027,954:06:0	
378	97	185	15:45:55.200	117DA105A106A4J	7STRP	0.003,0.0,0.0,0	Slew = 12.01	4R7	4	13	4,027,954:16:0	
379	97	185	15:46:00.533	117DA105A106A4K	7STRP	-0.003,0.0,0.0,0	Slew = 0.76	4R7	4	13	4,027,954:24:0	
380	97	185	15:46:10.533	117DA105A106A4L	7STRP	0.003,0.0,0.0,0	Slew = 12.01	4R7	4	13	4,027,954:39:0	
381	97	185	15:46:15.866	117DA105A106A4M	7STRP	-0.003,0.0,0.0,0	Slew = 0.76	4R7	4	13	4,027,954:47:0	
382	97	185	15:46:25.866	117DA105A106A4N	7STRP	0.003,0.0,0.0,0	Slew = 12.01	4R7	4	13	4,027,954:62:0	
383	97	185	15:46:31.200	117DA105A106A4O	7STRP	-0.003,0.0,0.0,0	Slew = 0.76	4R7	4	13	4,027,954:70:0	

Line	YR	DOY	SCET - GMT	PSID	Command	Parameters	Description	GCM	GO	GS	RIM	MFI
384	97	185	15:46:40.533	127FG4A	37IOP	7,14	Fixed Map, Grating Start Position =14	4R7	4	14	4,027,954:84:0	
385	97	185	15:46:40.533	127FG	NIMSTAB	GS	%%%%GROUP START TAB	4R7	4	14	4,027,954:84:0	
386	97	185	15:46:41.200	127FG4B	37ETB	07,C7,19,FF,FF,0	Loads wavelength edit table	4R7	4	14	4,027,954:85:0	
387	97	185	15:46:41.200	117DA105A106A4P	7STRP	0.003,0.0,0.0,0.0	Slew =12.01	4R7	4	14	4,027,954:85:0	
388	97	185	15:46:46.533	117DA105A106A4Q	7STRP	-0.003,0.0,0.0,0.0	Slew =0.76	4R7	4	14	4,027,955:02:0	
389	97	185	15:46:49.200	127FF11A	NIMSTAB	GE	%%%%GROUP END TAB	4R7	4	14	4,027,955:06:0	
390	97	185	15:46:56.533	117DA105A106A4R	7STRP	0.003,0.0,0.0,0.0	Slew =12.01	4R7	4	14	4,027,955:17:0	
391	97	185	15:47:01.866	117DA105A106A4S	7STRP	-0.003,0.0,0.0,0.0	Slew =0.76	4R7	4	14	4,027,955:25:0	
392	97	185	15:47:11.866	117DA105A106A4T	7STRP	0.003,0.0,0.0,0.0	Slew =12.01	4R7	4	14	4,027,955:40:0	
393	97	185	15:47:17.200	117DA105A106A4U	7STRP	-0.003,0.0,0.0,0.0	Slew =0.76	4R7	4	14	4,027,955:48:0	
394	97	185	15:47:27.200	117DA105A106A4V	7STRP	0.003,0.0,0.0,0.0	Slew =12.01	4R7	4	14	4,027,955:63:0	
395	97	185	15:47:32.533	117DA105A106A4W	7STRP	-0.003,0.0,0.0,0.0	Slew =0.76	4R7	4	14	4,027,955:71:0	
396	97	185	15:47:41.200	127FF	NIMSTAB	GS	%%%%GROUP START TAB	4R7	4	14	4,027,955:84:0	
397	97	185	15:47:41.200	127FF4A	37IOP	7,15	Fixed Map, Grating Start Position =15	4R7	4	15	4,027,955:84:0	
398	97	185	15:47:41.866	127FF4B	37ETB	07,C7,19,FF,FF,0	Loads wavelength edit table	4R7	4	15	4,027,955:85:0	
399	97	185	15:47:42.533	117DA105A106A4X	7STRP	0.003,0.0,0.0,0.0	Slew =12.01	4R7	4	15	4,027,955:86:0	
400	97	185	15:47:47.866	117DA105A106A4Y	7STRP	-0.003,0.0,0.0,0.0	Slew =0.76	4R7	4	15	4,027,956:03:0	
401	97	185	15:47:49.866	127FF11A	NIMSTAB	GE	%%%%GROUP END TAB	4R7	4	15	4,027,956:06:0	
402	97	185	15:47:57.866	117DA105A106A4Z	7STRP	0.003,0.0,0.0,0.0	Slew =12.01	4R7	4	15	4,027,956:18:0	
403	97	185	15:48:03.200	117DA105A106A4AA	7STRP	-0.003,0.0,0.0,0.0	Slew =0.76	4R7	4	15	4,027,956:26:0	
404	97	185	15:48:13.200	117DA105A106A4AB	7STRP	0.003,0.0,0.0,0.0	Slew =12.01	4R7	4	15	4,027,956:41:0	
405	97	185	15:48:18.533	117DA105A106A4AC	7STRP	-0.003,0.0,0.0,0.0	Slew =0.76	4R7	4	15	4,027,956:49:0	
406	97	185	15:48:28.533	117DA105A106A4AD	7STRP	0.003,0.0,0.0,0.0	Slew =12.01	4R7	4	15	4,027,956:64:0	
407	97	185	15:48:33.866	117DA105A106A4AE	7STRP	-0.003,0.0,0.0,0.0	Slew =0.76	4R7	4	15	4,027,956:72:0	
408	97	185	15:48:41.866	127FE4A	37IOP	7,16	Fixed Map, Grating Start Position =16	4R7	4	16	4,027,956:84:0	
409	97	185	15:48:41.866	127FE4B	37ETB	07,C7,19,FF,FF,0	Loads wavelength edit table	4R7	4	16	4,027,956:85:0	
410	97	185	15:48:43.866	117DA105A106A4AF	7STRP	0.003,0.0,0.0,0.0	Slew =12.01	4R7	4	16	4,027,956:87:0	
411	97	185	15:48:49.200	117DA105A106A4AG	7STRP	-0.003,0.0,0.0,0.0	Slew =0.76	4R7	4	16	4,027,957:04:0	
412	97	185	15:48:50.533	127FE11A	NIMSTAB	GE	%%%%GROUP END TAB	4R7	4	16	4,027,957:06:0	
413	97	185	15:48:59.200	117DA105A106A4AH	7STRP	0.003,0.0,0.0,0.0	Slew =12.01	4R7	4	16	4,027,957:19:0	
414	97	185	15:49:04.533	117DA105A106A4AI	7STRP	-0.003,0.0,0.0,0.0	Slew =0.76	4R7	4	16	4,027,957:27:0	
415	97	185	15:49:14.533	117DA105A106A4AJ	7STRP	0.003,0.0,0.0,0.0	Slew =12.01	4R7	4	16	4,027,957:42:0	
416	97	185	15:49:19.866	117DA105A106A4AK	7STRP	-0.003,0.0,0.0,0.0	Slew =0.76	4R7	4	16	4,027,957:50:0	
417	97	185	15:49:29.866	117DA105A106A4AL	7STRP	0.003,0.0,0.0,0.0	Slew =12.01	4R7	4	16	4,027,957:65:0	
418	97	185	15:49:35.200	117DA105A106A4AM	7STRP	-0.003,0.0,0.0,0.0	Slew =0.76	4R7	4	16	4,027,957:73:0	
419	97	185	15:49:42.533	127FD	NIMSTAB	GS	%%%%GROUP START TAB	4R7	4	16	4,027,957:84:0	
420	97	185	15:49:42.533	127FD4A	37IOP	7,17	Fixed Map, Grating Start Position =17	4R7	4	17	4,027,957:84:0	
421	97	185	15:49:43.200	127FD4B	37ETB	07,C7,19,FF,FF,0	Loads wavelength edit table	4R7	4	17	4,027,957:85:0	
422	97	185	15:49:45.200	117DA105A106A4AN	7STRP	0.003,0.0,0.0,0.0	Slew =12.01	4R7	4	17	4,027,957:88:0	
423	97	185	15:49:50.533	117DA105A106A4AO	7STRP	-0.003,0.0,0.0,0.0	Slew =0.76	4R7	4	17	4,027,958:05:0	
424	97	185	15:49:51.200	127FD11A	NIMSTAB	GE	%%%%GROUP END TAB	4R7	4	17	4,027,958:06:0	
425	97	185	15:50:00.533	117DA105A106A4AP	7STRP	0.003,0.0,0.0,0.0	Slew =12.01	4R7	4	17	4,027,958:20:0	
426	97	185	15:50:05.866	117DA105A106A4AQ	7STRP	-0.003,0.0,0.0,0.0	Slew =0.76	4R7	4	17	4,027,958:28:0	
427	97	185	15:50:15.866	117DA105A106A4AR	7STRP	0.003,0.0,0.0,0.0	Slew =12.01	4R7	4	17	4,027,958:43:0	
428	97	185	15:50:21.200	117DA105A106A4AS	7STRP	-0.003,0.0,0.0,0.0	Slew =0.76	4R7	4	17	4,027,958:51:0	
429	97	185	15:50:31.200	117DA105A106A4AT	7STRP	0.003,0.0,0.0,0.0	Slew =12.01	4R7	4	17	4,027,958:66:0	
430	97	185	15:50:36.533	117DA105A106A4AU	7STRP	-0.003,0.0,0.0,0.0	Slew =0.76	4R7	4	17	4,027,958:74:0	
431	97	185	15:50:43.200	127FC4A	37IOP	7,18	Fixed Map, Grating Start Position =18	4R7	4	18	4,027,958:84:0	
432	97	185	15:50:43.200	127FC4B	37ETB	07,C7,19,FF,FF,0	Loads wavelength edit table	4R7	4	18	4,027,958:84:0	
433	97	185	15:50:43.866	117DA105A106A4AV	7STRP	0.003,0.0,0.0,0.0	Slew =12.01	4R7	4	18	4,027,958:89:0	
434	97	185	15:50:46.533	117DA105A106A4AW	7STRP	-0.003,0.0,0.0,0.0	Slew =0.76	4R7	4	18	4,027,959:06:0	
435	97	185	15:50:51.866	127FC11A	NIMSTAB	GE	%%%%GROUP END TAB	4R7	4	18	4,027,959:06:0	
436	97	185	15:51:01.866	117DA105A106A4AX	7STRP	0.003,0.0,0.0,0.0	Slew =12.01	4R7	4	18	4,027,959:21:0	

Line	YR	DOY	SCET - GMT	PSID	Command	Parameters	Description	GCM	GO	GS	RIM	MFI
439	97	185	15:51:07.200	117DA105A106A4AY	7STRP	-0.003,0.0,0.0,0.0	Slew = 0.76	4R7	4	18	4,027,959:29:0	
440	97	185	15:51:17.200	117DA105A106A4AZ	7STRP	0.003,0.0,0.0,0.0	Slew = 12.01	4R7	4	18	4,027,959:44:0	
441	97	185	15:51:22.533	117DA105A106A4BA	7STRP	-0.003,0.0,0.0,0.0	Slew = 0.76	4R7	4	18	4,027,959:52:0	
442	97	185	15:51:32.533	117DA105A106A4BB	7STRP	0.003,0.0,0.0,0.0	Slew = 12.01	4R7	4	18	4,027,959:67:0	
443	97	185	15:51:37.866	117DA105A106A4BC	7STRP	-0.003,0.0,0.0,0.0	Slew = 0.76	4R7	4	18	4,027,959:75:0	
444	97	185	15:51:43.866	127FBF	NIMSTAB	GS	%%-%-% GROUP START TAB	4R7	4	18	4,027,959:84:0	
445	97	185	15:51:43.866	127FB4A	37IOP	7.19	Fixed Map, Grating Start Position =19	4R7	4	19	4,027,959:84:0	
446	97	185	15:51:44.533	127FB4B	37ETB	07,C7,19,FF,FF,0	Loads wavelength edit table	4R7	4	19	4,027,959:85:0	
447	97	185	15:51:47.866	117DA105A106A4BD	7STRP	0.003,0.0,0.0,0.0	Slew = 12.01	4R7	4	19	4,027,959:90:0	
448	97	185	15:51:52.533	127FB11A	NIMSTAB	GE	%%-%-% GROUP END TAB	4R7	4	19	4,027,960:06:0	
449	97	185	15:51:53.200	117DA105A106A4BE	7STRP	-0.003,0.0,0.0,0.0	Slew = 0.76	4R7	4	19	4,027,960:07:0	
450	97	185	15:52:03.200	117DA105A106A4BF	7STRP	0.003,0.0,0.0,0.0	Slew = 12.01	4R7	4	19	4,027,960:22:0	
451	97	185	15:52:08.533	117DA105A106A4BG	7STRP	-0.003,0.0,0.0,0.0	Slew = 0.76	4R7	4	19	4,027,960:30:0	
452	97	185	15:52:18.533	117DA105A106A4BH	7STRP	0.003,0.0,0.0,0.0	Slew = 12.01	4R7	4	19	4,027,960:45:0	
453	97	185	15:52:23.866	117DA105A106A4BI	7STRP	-0.003,0.0,0.0,0.0	Slew = 0.76	4R7	4	19	4,027,960:53:0	
454	97	185	15:52:33.866	117DA105A106A4BJ	7STRP	0.003,0.0,0.0,0.0	Slew = 12.01	4R7	4	19	4,027,960:68:0	
455	97	185	15:52:39.200	117DA105A106A4BK	7STRP	-0.003,0.0,0.0,0.0	Slew = 0.76	4R7	4	19	4,027,960:76:0	
456	97	185	15:52:44.533	127FA	NIMSTAB	GS	%%-%-% GROUP START TAB	4R7	4	19	4,027,960:84:0	
457	97	185	15:52:44.533	127FA4A	37IOP	7.20	Fixed Map, Grating Start Position =20	4R7	4	20	4,027,960:84:0	
458	97	185	15:52:45.200	127FA4B	37ETB	07,C7,19,FF,FF,0	Loads wavelength edit table	4R7	4	20	4,027,960:85:0	
459	97	185	15:52:49.200	117DA105A106A4BL	7STRP	0.003,0.0,0.0,0.0	Slew = 12.01	4R7	4	20	4,027,961:00:0	
460	97	185	15:52:53.200	127FA11A	NIMSTAB	GE	%%-%-% GROUP END TAB	4R7	4	20	4,027,961:06:0	
461	97	185	15:52:54.533	117DA105A106A4BM	7STRP	-0.003,0.0,0.0,0.0	Slew = 0.76	4R7	4	20	4,027,961:08:0	
462	97	185	15:53:04.533	117DA105A106A4BN	7STRP	0.003,0.0,0.0,0.0	Slew = 12.01	4R7	4	20	4,027,961:23:0	
463	97	185	15:53:09.866	117DA105A106A4BO	7STRP	-0.003,0.0,0.0,0.0	Slew = 0.76	4R7	4	20	4,027,961:31:0	
464	97	185	15:53:19.866	117DA105A106A4BP	7STRP	0.003,0.0,0.0,0.0	Slew = 12.01	4R7	4	20	4,027,961:46:0	
465	97	185	15:53:25.200	117DA105A106A4BQ	7STRP	-0.003,0.0,0.0,0.0	Slew = 0.76	4R7	4	20	4,027,961:54:0	
466	97	185	15:53:35.200	117DA105A106A4BR	7STRP	0.003,0.0,0.0,0.0	Slew = 12.01	4R7	4	20	4,027,961:69:0	
467	97	185	15:53:40.533	117DA105A106A4BS	7STRP	-0.003,0.0,0.0,0.0	Slew = 0.76	4R7	4	20	4,027,961:77:0	
468	97	185	15:53:45.200	127KZ4A	37IOP	7.21	Fixed Map, Grating Start Position =21	4R7	4	21	4,027,961:84:0	
469	97	185	15:53:45.200	127KZ4B	37ETB	07,C7,19,FF,FF,0	Loads wavelength edit table	4R7	4	21	4,027,961:85:0	
470	97	185	15:53:45.866	127KZ4B	37ETB	07,C7,19,FF,FF,0	Loads wavelength edit table	4R7	4	21	4,027,961:85:0	
471	97	185	15:53:50.533	117DA105A106A4BT	7STRP	0.003,0.0,0.0,0.0	Slew = 12.01	4R7	4	21	4,027,962:01:0	
472	97	185	15:53:53.866	127KZ11A	NIMSTAB	GE	%%-%-% GROUP END TAB	4R7	4	21	4,027,962:06:0	
473	97	185	15:53:55.866	117DA105A106A4BU	7STRP	-0.003,0.0,0.0,0.0	Slew = 0.76	4R7	4	21	4,027,962:09:0	
474	97	185	15:54:05.866	117DA105A106A4BV	7STRP	0.003,0.0,0.0,0.0	Slew = 12.01	4R7	4	21	4,027,962:24:0	
475	97	185	15:54:11.200	117DA105A106A4BW	7STRP	-0.003,0.0,0.0,0.0	Slew = 0.76	4R7	4	21	4,027,962:32:0	
476	97	185	15:54:21.200	117DA105A106A4BX	7STRP	0.003,0.0,0.0,0.0	Slew = 12.01	4R7	4	21	4,027,962:47:0	
477	97	185	15:54:26.533	117DA105A106A4BY	7STRP	-0.003,0.0,0.0,0.0	Slew = 0.76	4R7	4	21	4,027,962:55:0	
478	97	185	15:54:36.533	117DA105A106A4BZ	7STRP	0.003,0.0,0.0,0.0	Slew = 12.01	4R7	4	21	4,027,962:70:0	
479	97	185	15:54:41.866	117DA105A106A4CA	7STRP	-0.003,0.0,0.0,0.0	Slew = 0.76	4R7	4	21	4,027,962:78:0	
480	97	185	15:54:45.866	127KY4A	37IOP	7.22	Fixed Map, Grating Start Position =22	4R7	4	22	4,027,962:84:0	
481	97	185	15:54:45.866	127KY	NIMSTAB	GS	%%-%-% GROUP START TAB	4R7	4	22	4,027,962:84:0	
482	97	185	15:54:46.533	127KY4B	37ETB	07,C7,19,FF,FF,0	Loads wavelength edit table	4R7	4	22	4,027,962:85:0	
483	97	185	15:54:51.866	117DA105A106A4CB	7STRP	0.003,0.0,0.0,0.0	Slew = 12.01	4R7	4	22	4,027,963:02:0	
484	97	185	15:54:54.533	127KY11A	NIMSTAB	GE	%%-%-% GROUP END TAB	4R7	4	22	4,027,963:06:0	
485	97	185	15:54:57.200	117DA105A106A4CC	7STRP	-0.003,0.0,0.0,0.0	Slew = 0.76	4R7	4	22	4,027,963:10:0	
486	97	185	15:55:07.200	117DA105A106A4CD	7STRP	0.003,0.0,0.0,0.0	Slew = 12.01	4R7	4	22	4,027,963:25:0	
487	97	185	15:55:12.533	117DA105A106A4CE	7STRP	-0.003,0.0,0.0,0.0	Slew = 0.76	4R7	4	22	4,027,963:33:0	
488	97	185	15:55:22.533	117DA11A	CSMOS	GE	**** GROUP END CSMOS	4R7	4	22	4,027,963:48:0	
489	97	185	15:55:46.533	127KX	NIMSTAB	GS	%%-%-% GROUP START TAB	4R7	4	22	4,027,963:84:0	
490	97	185	15:55:46.533	127KX4A	37IOP	7.23	Fixed Map, Grating Start Position =23	4R7	4	23	4,027,963:84:0	
491	97	185	15:55:47.200	127KX4B	37ETB	07,C7,19,FF,FF,0	Loads wavelength edit table	4R7	4	23	4,027,963:85:0	
492	97	185	15:55:55.200	127KX11A	NIMSTAB	GE	%%-%-% GROUP END TAB	4R7	4	23	4,027,964:06:0	
493	97	185	15:56:09.866	432KN6A	6RTDS2	NIMDSL,ACNCG,RT	NIMS R/T DESELECT	4R7	4	23	4,027,964:28:0	

Line	YR	DOY	SCET - GMT	PSID	Command	Parameters	Description	GCM	GO	GS	RIM	MFI
494	97	185	15:56:55.866	C9HNSTRCAL02-		-----STOP-----		4R7	4	23	:	:
495	97	185	16:00:58.533	C9JNAURRTB05-		-----START-----		4R7	4	23	:	:
496	97	185	16:02:15.200	165MX4A	7SCAN	NORM,105.731,23.	Check S/P Position	4R7	4	23	4,027,970:30:0	
497	97	185	16:03:51.866	127EA	NIMSTAB	GS	%%%%GROUP START TAB	4R7	4	23	4,027,971:84:0	
498	97	185	16:03:51.866	127EA4A	37IOP	0,0	Long Map, Grating Start Position =00	4R3	4	0	4,027,971:84:0	
499	97	185	16:03:52.533	127EA4B	37ETB	04,C4,35,FF,FF	Loads wavelength edit table	4R3	4	0	4,027,971:85:0	
500	97	185	16:04:00.533	127EA11A	NIMSTAB	GE	%%%%GROUP END TAB	4R3	4	0	4,027,972:06:0	
501	97	185	16:04:16.533	432KI6A	6RTSL2	NIMSEL,AACNCG,RT	NIMS R/T SELECT	4R3	4	0	4,027,972:30:0	
502	97	185	16:09:18.533	432KJ6A	6RTDS2	NIMDSL,AACNCG,RT	NIMS R/T DESELECT	4R3	4	0	4,027,977:28:0	
503	97	185	16:10:04.533	C9JNAURRTB05-		-----STOP-----		4R3	4	0	:	:
504	97	185	16:10:56.533	125LX	NIMSINIT	GS	##### GROUP START INIT	4R3	4	0	4,027,978:84:0	
505	97	185	16:10:56.533	125LX11A	NIMSINIT	GE	##### GROUP END INIT	4R3	4	0	4,027,978:84:0	
506	97	185	16:10:56.533	125LX4A	37MB	0,0,0,0,0,0	Selects mirror (spatial) edit table	4R3	4	0	4,027,978:84:0	
507	97	185	16:11:03.200	175MC422A6B	6DMSC	RDY,0	DMS Control Tape stop	4R3	4	0	4,027,979:03:0	
508	97	185	16:11:03.200	432OE431A6A	6RCDSL	DDSNCG,PLSNCG,EP	Record Deselect (DDS o	4R3	4	0	4,027,979:03:0	
509	97	185	16:11:03.200		DMS:	: *RUNDOWN	R7, TRACK 3, FWD, TIC *1989.96 +/-	4R3	4	0	4,027,979:03:0	
510	97	185	16:11:03.866	432OE6A	6RTSL1		R/T Select of DDS and	4R3	4	0	4,027,979:04:0	
511	97	185	16:11:04.400		DMS:	: *READY	RDY, TRACK 3, FWD, TIC *1990.02 +/-	4R3	4	0	4,027,979:04:8	
512	97	185	16:11:07.200	282NB431A6A	6RCDSL	DDSNCG,PLSDSL,EP	Record Deselect (DDS o	4R3	4	0	4,027,979:09:0	
513	97	185	16:11:56.533	282NB432A431A6A	6RCDSL	DDSNCG,PLSDSL,EP	Record Deselect (DDS o	4R3	4	0	4,027,979:83:0	
514	97	185	16:11:57.200	282NB432A6A	6RTSL1		R/T Select of DDS and	4R3	4	0	4,027,979:84:0	
515	97	185	16:12:05.866	C9JNAUCAMB02-		-----START-----		4R3	4	0	:	:
516	97	185	16:13:22.533	165MT4A	7SCAN	NORM,106.934999,	Check S/P Position	4R3	4	0	4,027,981:30:0	
517	97	185	16:13:58.533	125EQ	NIMSINIT	GS	##### GROUP START INIT	4R3	4	0	4,027,981:84:0	
518	97	185	16:13:58.533	125EQ11A	NIMSINIT	GE	##### GROUP END INIT	4R3	4	0	4,027,981:84:0	
519	97	185	16:13:58.533	125EQ4A	37IST	0,2,0,OFF,0,1,1	Gain State 4	4R3	4	0	4,027,981:84:0	
520	97	185	16:14:59.200	127EQ4A	37IOP	1,0	Full Map, Grating Start Position =00	4R1	4	0	4,027,982:84:0	
521	97	185	16:14:59.200	127EQ	NIMSTAB	GS	%%%%GROUP START TAB	4R1	4	0	4,027,982:84:0	
522	97	185	16:14:59.866	127EQ4B	37ETB	0A,CA,0C,3D,FC,0	Loads wavelength edit table	4R1	4	0	4,027,982:85:0	
523	97	185	16:15:07.866	127EQ11A	NIMSTAB	GE	%%%%GROUP END TAB	4R1	4	0	4,027,983:06:0	
524	97	185	16:15:53.200	175EQ422A6A	6DMSC	R7,3	DMS Control	4R1	4	0	4,027,983:74:0	
525	97	185	16:15:53.200		DMS:	: *E4-DELAY	RDY, TRACK *1, FWD, TIC 1990.02 +/-	4R1	4	0	4,027,983:74:0	
526	97	185	16:15:55.200	117MT	CSMOS	GS	##### GROUP START CSMOS	4R1	4	0	4,027,983:77:0	
527	97	185	16:15:59.866		DMS:	: *RUNUP	R7, TRACK *3, FWD, TIC 1990.02 +/-	4R1	4	0	4,027,983:84:0	
528	97	185	16:16:01.200	175EQ176A6A	6TMREC	LPU	7.68 KBPS NIMS-UVS-PPR RECORD Record Mode	4R1	4	0	4,027,983:86:0	
529	97	185	16:16:01.266		DMS:	: *RECORD	R7, TRACK 3, FWD, TIC *1990.14 +/-	4R1	4	0	4,027,983:86:1	
530	97	185	16:16:01.266		DMS:	: *AT SPD	R7, TRACK 3, FWD, TIC 1990.14 +/-	4R1	4	0	4,027,983:86:1	
531	97	185	16:16:04.533	117MT105A106A4A	7STRP	0.028007,0.0002,	Slew = 0.12	4R1	4	0	4,027,984:00:0	
532	97	185	16:16:04.533	C9JNAUCAMB02-	NIMPBK	301KF	AUORAL CAMPAIGN B MAP NO. 2	4R1	4	0	:	:
533	97	185	16:21:04.533	117MT11A	CSMOS	GE	##### GROUP END CSMOS	4R1	4	0	4,027,988:86:0	
534	97	185	16:21:07.866	C9JNAUCAMB02-	DESEL	300KF	AUORAL CAMPAIGN B MAP NO. 2	4R1	4	0	:	:
535	97	185	16:21:09.866		DMS:	: *RUNDOWN	R7, TRACK 3, FWD, TIC *2062.46 +/-	4R1	4	0	4,027,989:03:0	
536	97	185	16:21:09.866	175EQ6A	6TMREC	NRC	NO RECORD Record Mode Change	4R1	4	0	4,027,989:03:0	
537	97	185	16:21:09.866	175EQ422A6B	6DMSC	RDY,0	DMS Control Tape stop	4R1	4	0	4,027,989:03:0	
538	97	185	16:21:11.066		DMS:	: *READY	RDY, TRACK 3, FWD, TIC *2062.52 +/-	4R1	4	0	4,027,989:04:8	
539	97	185	16:21:11.866	C9JNAUCAMB02-		-----STOP-----		4R1	4	0	:	:
540	97	185	16:22:12.533	C9NNCHOPOF02-		-----START-----		4R1	4	0	:	:
541	97	185	16:23:04.533	127FZ	NIMSTAB	GS	%%%%GROUP START TAB	4R1	4	0	4,027,990:84:0	
542	97	185	16:23:04.533	127FZ4A	37IOP	0,0	Safe, Grating Start Position =00	4R0	4	0	4,027,990:84:0	
543	97	185	16:23:05.200	127FZ4B	37ETB	04,C4,02,00,00	Loads wavelength edit table	4R0	4	0	4,027,990:85:0	
544	97	185	16:23:13.200	127FZ11A	NIMSTAB	GE	%%%%GROUP END TAB	4R0	4	0	4,027,991:06:0	
545	97	185	16:23:13.200	C9NNCRUISE01-		-----START-----		4R0	4	0	:	:
546	97	185	16:24:59.866	41SR99A	POWER	PWR MODE change	Change to Maneuver/Playback Mode	4R0	4	0	4,027,992:75:0	
547	97	185	16:26:53.866	41SR3G	40T1P		1 PCT Heater 1 ON (primary relay)	4R0	4	0	4,027,994:64:0	
548	97	185	16:27:03.866	41SR3H	40T1P		2 PCT Heater 1 ON (primary relay)	4R0	4	0	4,027,994:79:0	

Line	YR	DOY	SCET - GMT	PSID	Command Parameters	Description	GCM	GO	GS	RIM	MF I
549	97	185	16:27:13.866	41SR31	40T2	1 PCT Heater 2 ON	4R0	4	0	4,027,995:03:0	
550	97	185	16:27:23.866	41SR3J	40T2	2 PCT Heater 2 ON	4R0	4	0	4,027,995:18:0	
551	97	185	16:28:07.866	125FZ	NIMSINIT GS	##### GROUP START INIT	4R0	4	0	4,027,995:84:0	
552	97	185	16:28:07.866	125FZ4A	37MB 0,0,0,0,0,0	Selects mirror (spatial) edit table	4R0	4	0	4,027,995:84:0	
553	97	185	16:29:08.533	125FZ4B	37IST 1,0,0,OFF,0,0,0	Chopper ON, Sync, 63Hz (Ref)	460	4	0	4,027,996:84:0	
554	97	185	16:29:59.866	444UC443A4A	7MODE CRU	AACS CRUISE MODE	460	4	0	4,027,997:70:0	
555	97	185	16:30:09.200	125FZ11A	NIMSINIT GE	##### GROUP END INIT	460	4	0	4,027,997:84:0	
556	97	185	16:30:09.200	125FZ4C	37IST 1,1,0,OFF,0,0,0	Chopper OFF, N/A, 63Hz (Ref)	400	4	0	4,027,997:84:0	
557	97	185	16:33:19.866	C9NNCHOPFOF02-	-----STOP-----		400	4	0	:	
558	97	185	16:35:03.866	20UB4A	7SAFE STOP	S/P NO MOVEMENT	400	4	0	4,028,002:71:0	
559	97	185	16:35:53.866	20UB4B	7SLEW DIS,POS,0,0	Stator movement	400	4	0	4,028,003:55:0	
560	97	185	16:38:23.200	C9NNCRUISE01-	-----STOP-----		400	4	0	:	
561	97	185	20:17:41.866	488AT6A	6TMSED NORM,HL7	Sci, Eng, and D/L Chan	400	4	0	4,028,222:88:0	
562	97	185	21:29:59.866	488AT6B	6TMSED NORM,AL7	Sci, Eng, and D/L Chan	400	4	0	4,028,294:43:0	
563	97	185	21:30:00.533	282NY432A431A6A	6RCDSL DDSNCG,PLSDSL,EP	Record Deselect (DDS o	400	4	0	4,028,294:44:0	
564	97	185	21:30:01.200	282NY432A6A	6RTSL1	R/T Select of DDS and	400	4	0	4,028,294:45:0	
565	97	185	21:32:21.866	488AT6C	6TMSED NORM,AL6	Sci, Eng, and D/L Chan	400	4	0	4,028,296:74:0	
566	97	185	22:02:13.866	488AT6D	6TMSED NORM,AL5	Sci, Eng, and D/L Chan	400	4	0	4,028,326:32:0	
567	97	185	22:03:49.200	488AT6E	6TMSED FILL,AL5	Sci, Eng, and D/L Chan	400	4	0	4,028,327:84:0	
568	97	185	22:08:37.866	488AU6A	6TMSED FILL,AL4	Sci, Eng, and D/L Chan	400	4	0	4,028,332:62:0	
569	97	186	05:19:55.200	488AV6A	6TMSED NORM,AL4	Sci, Eng, and D/L Chan	400	4	0	4,028,759:21:0	
570	97	186	05:36:37.866	488AV6B	6TMSED NORM,AL5	Sci, Eng, and D/L Chan	400	4	0	4,028,775:69:0	
571	97	186	06:40:37.866	488AV6C	6TMSED NORM,AL6	Sci, Eng, and D/L Chan	400	4	0	4,028,839:05:0	
572	97	186	06:41:14.533	488AV6D	6TMSED FILL,AL6	Sci, Eng, and D/L Chan	400	4	0	4,028,839:60:0	
573	97	186	07:08:04.533	488AV6E	6TMSED NORM,AL6	Sci, Eng, and D/L Chan	400	4	0	4,028,866:18:0	
574	97	186	10:20:48.533	488AW6A	6TMSED FILL,AL6	Sci, Eng, and D/L Chan	400	4	0	4,029,056:74:0	
575	97	186	10:24:37.866	488AW6B	6TMSED FILL,AL8	Sci, Eng, and D/L Chan	400	4	0	4,029,060:54:0	
576	97	186	10:26:17.866	488AW6C	6TMSED NORM,AL8	Sci, Eng, and D/L Chan	400	4	0	4,029,062:22:0	
577	97	186	10:39:11.866	176SJ6A	6TMREC RPB	RESUME PLAYBACK (PB CONTROL) Record Mode	400	4	0	4,029,075:00:0	
578	97	186	15:13:18.466	488AW6D	6TMSED FILL,AL8	Sci, Eng, and D/L Chan	400	4	0	4,029,346:09:0	
579	97	186	15:36:43.133	488AW6E	6TMSED NORM,AL8	Sci, Eng, and D/L Chan	400	4	0	4,029,369:23:0	
580	97	186	20:13:25.800	488AX6A	6TMSED NORM,AL7	Sci, Eng, and D/L Chan	400	4	0	4,029,642:84:0	
581	97	186	21:08:53.800	488AX6B	6TMSED NORM,AL6	Sci, Eng, and D/L Chan	400	4	0	4,029,697:71:0	
582	97	186	21:57:57.800	488AX6C	6TMSED NORM,AL4	Sci, Eng, and D/L Chan	400	4	0	4,029,746:28:0	
583	97	186	22:15:01.800	488AX6D	6TMSED NORM,AL5	Sci, Eng, and D/L Chan	400	4	0	4,029,763:17:0	
584	97	186	22:55:33.800	488AX6E	6TMSED NORM,AL6	Sci, Eng, and D/L Chan	400	4	0	4,029,803:25:0	
585	97	186	23:59:59.800	481UA4A	7VECT	Inert vect update UTC	400	4	0	4,029,867:00:0	
586	97	187	00:05:03.133	176BC6A	6TMREC PPB	PAUSE PLAYBACK (PB CONTROL) Record Mode C	400	4	0	4,029,872:00:0	
587	97	187	00:08:04.466	165BM4A	7SCAN NORM,317.743999,	Check S/P Position	400	4	0	4,029,874:90:0	
588	97	187	00:12:13.133	20UH4A	7SAFE STOP	S/P NO MOVEMENT	400	4	0	4,029,879:08:0	
589	97	187	00:13:03.133	20UH4B	7SLEW DIS,POS,0,0	Stator movement	400	4	0	4,029,879:83:0	
590	97	187	00:14:09.133	176BD6A	6TMREC RPB	RESUME PLAYBACK (PB CONTROL) Record Mode	400	4	0	4,029,881:00:0	
591	97	187	05:13:09.800	488AY6A	6TMSED NORM,AL5	Sci, Eng, and D/L Chan	400	4	0	4,030,176:66:0	
592	97	187	05:51:33.800	488AY6B	6TMSED NORM,AL6	Sci, Eng, and D/L Chan	400	4	0	4,030,214:64:0	
593	97	187	10:16:32.466	488AY6C	6TMSED FILL,AL6	Sci, Eng, and D/L Chan	400	4	0	4,030,476:70:0	
594	97	187	10:20:21.800	488AY6D	6TMSED FILL,AL8	Sci, Eng, and D/L Chan	400	4	0	4,030,480:50:0	
595	97	187	10:22:01.800	488AY6E	6TMSED NORM,AL8	Sci, Eng, and D/L Chan	400	4	0	4,030,482:18:0	
596	97	187	20:13:25.733	488AZ6A	6TMSED NORM,AL7	Sci, Eng, and D/L Chan	400	4	0	4,031,067:09:0	
597	97	187	21:23:49.733	488AZ6B	6TMSED NORM,AL6	Sci, Eng, and D/L Chan	400	4	0	4,031,136:66:0	
598	97	187	21:53:41.733	488AZ6C	6TMSED NORM,AL4	Sci, Eng, and D/L Chan	400	4	0	4,031,166:24:0	
599	97	187	22:25:41.733	488AZ6D	6TMSED NORM,AL5	Sci, Eng, and D/L Chan	400	4	0	4,031,197:83:0	
600	97	187	23:19:46.400	488AZ6E	6TMSED FILL,AL5	Sci, Eng, and D/L Chan	400	4	0	4,031,251:36:0	
601	97	187	23:48:52.400	488BA6A	6TMSED NORM,AL5	Sci, Eng, and D/L Chan	400	4	0	4,031,280:16:0	
602	97	188	00:20:53.733	488BA6B	6TMSED NORM,AL6	Sci, Eng, and D/L Chan	400	4	0	4,031,311:77:0	
603	97	188	04:07:01.733	488BA6C	6TMSED NORM,AL5	Sci, Eng, and D/L Chan	400	4	0	4,031,535:45:0	

Line	YR	DOY	SCET - GMT	PSID	Command	Parameters	Description	GCM	GO	GS	RIM	MFI
604	97	188	05:02:29.733	488BA6D	6TMSED	NORM,AL4	Sci, Eng, and D/L Chan	400	4	0	4,031,590:32:0	
605	97	188	05:25:57.733	488BA6E	6TMSED	NORM,AL5	Sci, Eng, and D/L Chan	400	4	0	4,031,613:51:0	
606	97	188	06:24:45.733	488BB6A	6TMSED	FILL,AL5	Sci, Eng, and D/L Chan	400	4	0	4,031,671:65:0	
607	97	188	06:29:57.733	488BB6B	6TMSED	FILL,AL6	Sci, Eng, and D/L Chan	400	4	0	4,031,676:78:0	
608	97	188	07:02:58.400	488BB6C	6TMSED	NORM,AL6	Sci, Eng, and D/L Chan	400	4	0	4,031,709:46:0	
609	97	188	10:16:32.400	488BB6D	6TMSED	FILL,AL6	Sci, Eng, and D/L Chan	400	4	0	4,031,900:86:0	
610	97	188	10:20:21.733	488BB6E	6TMSED	FILL,AL8	Sci, Eng, and D/L Chan	400	4	0	4,031,904:66:0	
611	97	188	10:22:01.733	488BC6A	6TMSED	NORM,AL8	Sci, Eng, and D/L Chan	400	4	0	4,031,906:34:0	
612	97	188	15:03:12.400	488BC6B	6TMSED	FILL,AL8	Sci, Eng, and D/L Chan	400	4	0	4,032,184:42:0	
613	97	188	15:26:37.066	488BC6C	6TMSED	NORM,AL8	Sci, Eng, and D/L Chan	400	4	0	4,032,207:56:0	
614	97	188	20:07:01.733	488BD6A	6TMSED	NORM,AL7	Sci, Eng, and D/L Chan	400	4	0	4,032,484:86:0	
615	97	188	21:23:49.733	488BD6B	6TMSED	NORM,AL6	Sci, Eng, and D/L Chan	400	4	0	4,032,560:82:0	
616	97	188	21:53:41.733	488BD6C	6TMSED	NORM,AL4	Sci, Eng, and D/L Chan	400	4	0	4,032,590:40:0	
617	97	188	22:10:45.733	488BD6D	6TMSED	NORM,AL5	Sci, Eng, and D/L Chan	400	4	0	4,032,607:29:0	
618	97	188	22:44:53.733	488BD6E	6TMSED	NORM,AL6	Sci, Eng, and D/L Chan	400	4	0	4,032,641:07:0	
619	97	189	05:08:53.666	488BE6A	6TMSED	NORM,AL5	Sci, Eng, and D/L Chan	400	4	0	4,033,020:78:0	
620	97	189	05:40:53.666	488BE6B	6TMSED	NORM,AL6	Sci, Eng, and D/L Chan	400	4	0	4,033,052:46:0	
621	97	189	11:07:44.333	488BE6C	6TMSED	FILL,AL6	Sci, Eng, and D/L Chan	400	4	0	4,033,375:69:0	
622	97	189	11:11:33.666	488BF6A	6TMSED	FILL,AL8	Sci, Eng, and D/L Chan	400	4	0	4,033,379:49:0	
623	97	189	11:13:13.666	488BF6B	6TMSED	NORM,AL8	Sci, Eng, and D/L Chan	400	4	0	4,033,381:17:0	
624	97	189	17:14:00.333	176JA6A	6TMREC	PPB	PAUSE PLAYBACK (PB CONTROL) Record Mode C	400	4	0	4,033,738:00:0	
625	97	189	18:01:50.333	488BG6A	6TMSED	FILL,AL8	Sci, Eng, and D/L Chan	400	4	0	4,033,785:28:0	
626	97	189	18:03:17.666	488BG6B	6TMSED	FILL,AL4	Sci, Eng, and D/L Chan	400	4	0	4,033,786:68:0	
627	97	189	20:59:29.000	176JB6A	6TMREC	RPB	RESUME PLAYBACK (PB CONTROL) Record Mode	400	4	0	4,033,961:00:0	
628	97	189	21:50:07.666	488BG6C	6TMSED	NORM,AL4	Sci, Eng, and D/L Chan	400	4	0	4,034,011:08:0	
629	97	189	22:00:05.666	488BG6D	6TMSED	NORM,AL5	Sci, Eng, and D/L Chan	400	4	0	4,034,020:86:0	
630	97	189	22:44:53.666	488BG6E	6TMSED	NORM,AL6	Sci, Eng, and D/L Chan	400	4	0	4,034,065:23:0	
631	97	190	05:02:29.666	488BH6A	6TMSED	NORM,AL5	Sci, Eng, and D/L Chan	400	4	0	4,034,438:64:0	
632	97	190	05:36:37.666	488BH6B	6TMSED	NORM,AL6	Sci, Eng, and D/L Chan	400	4	0	4,034,472:42:0	
633	97	190	10:08:00.266	488BH6C	6TMSED	FILL,AL6	Sci, Eng, and D/L Chan	400	4	0	4,034,740:78:0	
634	97	190	10:11:49.600	488BH6D	6TMSED	FILL,AL8	Sci, Eng, and D/L Chan	400	4	0	4,034,744:58:0	
635	97	190	10:13:29.600	488BH6E	6TMSED	NORM,AL8	Sci, Eng, and D/L Chan	400	4	0	4,034,746:26:0	
636	97	190	19:58:29.600	488BI6A	6TMSED	NORM,AL7	Sci, Eng, and D/L Chan	400	4	0	4,035,324:78:0	
637	97	190	21:13:09.600	488BI6B	6TMSED	NORM,AL6	Sci, Eng, and D/L Chan	400	4	0	4,035,398:64:0	
638	97	190	21:43:01.600	488BI6C	6TMSED	NORM,AL4	Sci, Eng, and D/L Chan	400	4	0	4,035,428:22:0	
639	97	190	22:10:45.600	488BI6D	6TMSED	NORM,AL5	Sci, Eng, and D/L Chan	400	4	0	4,035,455:61:0	
640	97	190	23:04:36.266	488BI6E	6TMSED	FILL,AL5	Sci, Eng, and D/L Chan	400	4	0	4,035,508:84:0	
641	97	190	23:33:42.933	488BJ6A	6TMSED	NORM,AL5	Sci, Eng, and D/L Chan	400	4	0	4,035,537:65:0	
642	97	191	00:05:57.600	488BJ6B	6TMSED	NORM,AL6	Sci, Eng, and D/L Chan	400	4	0	4,035,569:55:0	
643	97	191	03:58:29.600	488BJ6C	6TMSED	NORM,AL5	Sci, Eng, and D/L Chan	400	4	0	4,035,799:53:0	
644	97	191	04:53:57.600	488BJ6D	6TMSED	NORM,AL4	Sci, Eng, and D/L Chan	400	4	0	4,035,854:40:0	
645	97	191	05:15:17.600	488BJ6E	6TMSED	NORM,AL5	Sci, Eng, and D/L Chan	400	4	0	4,035,875:49:0	
646	97	191	06:15:01.600	488BK6A	6TMSED	NORM,AL6	Sci, Eng, and D/L Chan	400	4	0	4,035,934:56:0	
647	97	191	06:15:58.933	488BK6B	6TMSED	FILL,AL6	Sci, Eng, and D/L Chan	400	4	0	4,035,935:51:0	
648	97	191	06:47:48.266	488BK6C	6TMSED	NORM,AL6	Sci, Eng, and D/L Chan	400	4	0	4,035,967:03:0	
649	97	191	10:01:36.266	488BK6D	6TMSED	FILL,AL6	Sci, Eng, and D/L Chan	400	4	0	4,036,158:64:0	
650	97	191	10:05:25.600	488BK6E	6TMSED	FILL,AL8	Sci, Eng, and D/L Chan	400	4	0	4,036,162:44:0	
651	97	191	10:07:05.600	488BL6A	6TMSED	NORM,AL8	Sci, Eng, and D/L Chan	400	4	0	4,036,164:12:0	
652	97	191	14:48:02.200	488BL6B	6TMSED	FILL,AL8	Sci, Eng, and D/L Chan	400	4	0	4,036,441:90:0	
653	97	191	14:57:08.866	176SB6A	6TMREC	PPB	PAUSE PLAYBACK (PB CONTROL) Record Mode C	400	4	0	4,036,451:00:0	
654	97	191	15:01:20.200	20UY4B	7SAFE	UNSTOW	S/P TO 153 deg cone	400	4	0	4,036,455:13:0	
655	97	191	15:11:26.866	488BL6C	6TMSED	NORM,AL8	Sci, Eng, and D/L Chan	400	4	0	4,036,465:13:0	
656	97	191	15:20:20.200	20UY4D	7MODE	INT	AACS INERTIAL MODE	400	4	0	4,036,473:85:0	
657	97	191	17:46:51.533	488BM6A	6TMSED	FILL,AL8	Sci, Eng, and D/L Chan	400	4	0	4,036,618:77:0	
658	97	191	17:48:21.533	488BM6B	6TMSED	FILL,AL1	Sci, Eng, and D/L Chan	400	4	0	4,036,620:30:0	

Line	YR	DOY	SCET - GMT	PSID	Command	Parameters	Description	GCM	GO	GS	RIM	MFI
659	97	191	18:01:04.200	20Z6A	6TMSEED	NORM,AH1	Sci, Eng, and D/L Chan	400	4	0	4,036,632:82:0	
660	97	191	18:10:00.200	474AA416A4B	7MODE	INT	AACS INERTIAL MODE	400	4	0	4,036,641:67:0	
661	97	191	18:12:00.200	474AA416A4D	7SAFE	UNSTOW	S/P TO 153 deg cone	400	4	0	4,036,643:65:0	
662	97	191	18:16:14.200	474AA416A4E	7BURN	Z.56.7004,-16.27	ALERT -- Thruster fire	400	4	0	4,036,647:82:0	
663	97	191	19:22:58.200	474AA416A4I	7BURN	Z.56.7004,-16.27	ALERT -- Thruster fire	400	4	0	4,036,713:82:0	
664	97	191	20:29:42.200	474AA416A4M	7BURN	Z.56.7004,-16.27	ALERT -- Thruster fire	400	4	0	4,036,779:82:0	
665	97	191	21:16:26.200	474AA416A4O	7BURN	T.56.7004,-16.27	ALERT -- Thruster fire	400	4	0	4,036,826:11:0	
666	97	191	22:39:48.200	474AA416A4V	7MODE	CRU	AACS CRUISE MODE	400	4	0	4,036,908:52:0	
667	97	192	04:00:00.200	444UD443A4A	7MODE	CRU	AACS CRUISE MODE	400	4	0	4,037,225:23:0	
668	97	192	04:00:37.533	488BN6A	6TMSEED	FILL,AL6	Sci, Eng, and D/L Chan	400	4	0	4,037,225:79:0	
669	97	192	04:03:14.200	488BN6B	6TMSEED	NORM,AL6	Sci, Eng, and D/L Chan	400	4	0	4,037,228:41:0	
670	97	192	04:05:04.200	20UC4A	7SAFE	STOP	S/P NO MOVEMENT	400	4	0	4,037,230:24:0	
671	97	192	04:05:54.200	20UC4B	7SLEW	DIS,POS,0.0	Stator movement	400	4	0	4,037,231:08:0	
672	97	192	04:07:50.200	176SK6A	6TMREC	RPB	RESUME PLAYBACK (PB CONTROL) Record Mode	400	4	0	4,037,233:00:0	
673	97	192	04:08:50.200	432OS431A6A	6RCDSL	DDSNCG,PLSNCG,EP	Record Deselect (DDS o	400	4	0	4,037,233:90:0	
674	97	192	04:08:50.866	432OS6A	6RTSL1		R/T Select of DDS and	400	4	0	4,037,234:00:0	
675	97	192	04:53:57.533	488BN6C	6TMSEED	NORM,AL5	Sci, Eng, and D/L Chan	400	4	0	4,037,278:56:0	
676	97	192	05:25:57.533	488BN6D	6TMSEED	NORM,AL6	Sci, Eng, and D/L Chan	400	4	0	4,037,310:24:0	
677	97	192	09:57:20.200	488BN6E	6TMSEED	FILL,AL6	Sci, Eng, and D/L Chan	400	4	0	4,037,578:60:0	
678	97	192	10:01:09.533	488BO6A	6TMSEED	FILL,AL8	Sci, Eng, and D/L Chan	400	4	0	4,037,582:40:0	
679	97	192	10:02:49.533	488BO6B	6TMSEED	NORM,AL8	Sci, Eng, and D/L Chan	400	4	0	4,037,584:08:0	
680	97	192	17:53:00.200	488BP6A	6TMSEED	NORM,AH8	Sci, Eng, and D/L Chan	400	4	0	4,038,049:09:0	
681	97	192	17:57:57.533	176SC6A	6TMREC	PPB	PAUSE PLAYBACK (PB CONTROL) Record Mode C	400	4	0	4,038,054:00:0	
682	97	192	18:02:00.200	20UU4B	7SLEW	DIS,POS,0.0	Stator movement	400	4	0	4,038,058:00:0	
683	97	192	18:03:00.200	20UU4D	7MODE	UNSTOW	AACS ALL-SPIN LOW	400	4	0	4,038,058:90:0	
684	97	192	18:05:00.200	20UU4E	7SAFE	UNSTOW	S/P TO 153 deg cone	400	4	0	4,038,060:88:0	
685	97	192	18:10:30.200	20UU4G	7VENT	0.611,1.333,8	ALERT -- Thruster fire	400	4	0	4,038,066:37:0	
686	97	192	18:10:30.866	20UU4H	7VENT	0.611,10.989,8	ALERT -- Thruster fire	400	4	0	4,038,066:38:0	
687	97	192	18:10:50.866	20UU4I	7VENT	0.611,1.333,6	ALERT -- Thruster fire	400	4	0	4,038,066:68:0	
688	97	192	18:10:51.533	20UU4J	7VENT	0.611,10.989,6	ALERT -- Thruster fire	400	4	0	4,038,066:69:0	
689	97	192	18:11:11.533	20UU4K	7VENT	0.611,1.333,4	ALERT -- Thruster fire	400	4	0	4,038,067:08:0	
690	97	192	18:11:12.200	20UU4L	7VENT	0.611,0.666,5	ALERT -- Thruster fire	400	4	0	4,038,067:09:0	
691	97	192	18:11:22.200	20UU4M	7VENT	0.611,1.333,4	ALERT -- Thruster fire	400	4	0	4,038,067:24:0	
692	97	192	18:11:22.866	20UU4N	7VENT	0.611,0.666,5	ALERT -- Thruster fire	400	4	0	4,038,067:25:0	
693	97	192	18:11:32.866	20UU4O	7VENT	1.211,1.333,10	ALERT -- Thruster fire	400	4	0	4,038,067:40:0	
694	97	192	18:11:33.533	20UU4P	7VENT	1.211,0.666,12	ALERT -- Thruster fire	400	4	0	4,038,067:41:0	
695	97	192	18:13:20.200	20UU4S	7VENT	0.611,1.333,7	ALERT -- Thruster fire	400	4	0	4,038,069:19:0	
696	97	192	18:13:20.866	20UU4T	7VENT	0.611,10.989,7	ALERT -- Thruster fire	400	4	0	4,038,069:20:0	
697	97	192	18:13:40.866	20UU4U	7VENT	0.611,1.333,1	ALERT -- Thruster fire	400	4	0	4,038,069:50:0	
698	97	192	18:13:41.533	20UU4V	7VENT	0.611,10.989,1	ALERT -- Thruster fire	400	4	0	4,038,069:51:0	
699	97	192	18:14:01.533	20UU4AC	7VENT	0.611,1.333,2	ALERT -- Thruster fire	400	4	0	4,038,069:81:0	
700	97	192	18:14:02.200	20UU4AD	7VENT	0.611,0.666,3	ALERT -- Thruster fire	400	4	0	4,038,069:82:0	
701	97	192	18:14:12.200	20UU4AE	7VENT	0.611,1.333,2	ALERT -- Thruster fire	400	4	0	4,038,070:06:0	
702	97	192	18:14:12.866	20UU4AF	7VENT	0.611,0.666,3	ALERT -- Thruster fire	400	4	0	4,038,070:07:0	
703	97	192	18:14:22.866	20UU4AW	7VENT	1.211,1.333,9	ALERT -- Thruster fire	400	4	0	4,038,070:22:0	
704	97	192	18:14:23.533	20UU4X	7VENT	1.211,0.666,11	ALERT -- Thruster fire	400	4	0	4,038,070:23:0	
705	97	192	18:15:20.200	20UU4Z	7MODE	CRU	AACS CRUISE MODE	400	4	0	4,038,071:17:0	
706	97	192	18:34:59.533	432OL431A6A	6RCDSL	DDSNCG,PLSNCG,EP	Record Deselect (DDS o	400	4	0	4,038,090:57:0	
707	97	192	18:35:00.200	432OL6A	6RTSL1		R/T Select of DDS and	400	4	0	4,038,090:58:0	
708	97	192	18:41:04.200	20UD4A	7SAFE	STOP	S/P NO MOVEMENT	400	4	0	4,038,096:58:0	
709	97	192	18:41:54.200	20UD4B	7SLEW	DIS,POS,0.0	Stator movement	400	4	0	4,038,097:42:0	
710	97	192	18:44:28.200	176SL6A	6TMREC	RPB	RESUME PLAYBACK (PB CONTROL) Record Mode	400	4	0	4,038,100:00:0	
711	97	192	19:47:49.466	488BP6B	6TMSEED	NORM,AH7	Sci, Eng, and D/L Chan	400	4	0	4,038,162:60:0	
712	97	192	20:01:00.133	488BP6C	6TMSEED	NORM,AL7	Sci, Eng, and D/L Chan	400	4	0	4,038,175:63:0	
713	97	192	21:02:29.466	488BP6D	6TMSEED	NORM,AL6	Sci, Eng, and D/L Chan	400	4	0	4,038,236:46:0	

Line	YR	DOY	SCET - GMT	PSID	Command	Parameters	Description	GCM	GO	GS	RIM	MFI
714	97	192	21:32:21.466	488BP6E	6TMSED	NORM,AL4	Sci, Eng, and D/L Chan	400	4	0	4,038,266:04:0	
715	97	192	22:00:05.466	488BQ6A	6TMSED	NORM,AL5	Sci, Eng, and D/L Chan	400	4	0	4,038,293:43:0	
716	97	192	22:59:30.800	488BQ6B	6TMSED	FILL,AL5	Sci, Eng, and D/L Chan	400	4	0	4,038,352:22:0	
717	97	192	23:28:36.800	488BQ6C	6TMSED	NORM,AL5	Sci, Eng, and D/L Chan	400	4	0	4,038,381:02:0	
718	97	192	23:55:17.466	488BQ6D	6TMSED	NORM,AL6	Sci, Eng, and D/L Chan	400	4	0	4,038,407:37:0	
719	97	192	23:56:54.133	176BE6A	6TMREC	PPB	PAUSE PLAYBACK (PB CONTROL) Record Mode C	400	4	0	4,038,409:00:0	
720	97	192	23:59:55.466	165BN4A	7SCAN	NORM,317.743999,	Check S/P Position	400	4	0	4,038,411:90:0	
721	97	193	00:04:04.133	20UJ4A	7SAFE	STOP	S/P NO MOVEMENT	400	4	0	4,038,416:08:0	
722	97	193	00:04:54.133	20UJ4B	7SLEW	DIS,POS,0.0	Stator movement	400	4	0	4,038,416:83:0	
723	97	193	00:06:00.133	176BF6A	6TMREC	RPB	RESUME PLAYBACK (PB CONTROL) Record Mode	400	4	0	4,038,418:00:0	
724	97	193	03:47:49.466	488BQ6E	6TMSED	NORM,AL5	Sci, Eng, and D/L Chan	400	4	0	4,038,637:35:0	
725	97	193	05:25:57.466	488BR6A	6TMSED	NORM,AL6	Sci, Eng, and D/L Chan	400	4	0	4,038,734:40:0	
726	97	193	06:05:52.800	488BR6B	6TMSED	FILL,AL6	Sci, Eng, and D/L Chan	400	4	0	4,038,773:84:0	
727	97	193	06:32:42.133	488BR6C	6TMSED	NORM,AL6	Sci, Eng, and D/L Chan	400	4	0	4,038,800:41:0	
728	97	193	10:21:00.800	488BR6D	6TMSED	FILL,AL6	Sci, Eng, and D/L Chan	400	4	0	4,039,026:23:0	
729	97	193	10:26:45.466	488BR6E	6TMSED	FILL,AL8	Sci, Eng, and D/L Chan	400	4	0	4,039,031:85:0	
730	97	193	11:28:30.133	488BS6A	6TMSED	NORM,AL8	Sci, Eng, and D/L Chan	400	4	0	4,039,093:00:0	
731	97	193	19:43:33.466	488BT6A	6TMSED	NORM,AL7	Sci, Eng, and D/L Chan	400	4	0	4,039,582:56:0	
732	97	193	20:58:13.466	488BT6B	6TMSED	NORM,AL6	Sci, Eng, and D/L Chan	400	4	0	4,039,656:42:0	
733	97	193	21:28:05.466	488BT6C	6TMSED	NORM,AL4	Sci, Eng, and D/L Chan	400	4	0	4,039,686:00:0	
734	97	193	21:45:09.466	488BT6D	6TMSED	NORM,AL5	Sci, Eng, and D/L Chan	400	4	0	4,039,702:80:0	
735	97	193	22:25:41.466	488BT6E	6TMSED	NORM,AL6	Sci, Eng, and D/L Chan	400	4	0	4,039,742:88:0	
736	97	194	04:43:17.400	488BU6A	6TMSED	NORM,AL5	Sci, Eng, and D/L Chan	400	4	0	4,040,116:38:0	
737	97	194	05:21:41.400	488BU6B	6TMSED	NORM,AL6	Sci, Eng, and D/L Chan	400	4	0	4,040,154:36:0	
738	97	194	09:13:54.733	41SA99A	POWER	PWR MODE change	Change to Calib/Decon Mode	400	4	0	4,040,384:06:0	
739	97	194	09:13:54.733	C9NNRCTRLT01-		-----START-----		400	4	0	:	:
740	97	194	09:13:58.733	41SA31	40T1PR		1 PCT Heater 1 OFF (primary relay)	400	4	0	4,040,384:12:0	
741	97	194	09:14:08.733	41SA3J	40T1PR		2 PCT Heater 1 OFF (primary relay)	400	4	0	4,040,384:27:0	
742	97	194	09:14:18.733	41SA3K	40T2R		1 PCT Heater 2 OFF	400	4	0	4,040,384:42:0	
743	97	194	09:14:28.733	41SA3L	40T2R		2 PCT Heater 2 OFF	400	4	0	4,040,384:57:0	
744	97	194	09:24:58.066	176XU6A	6TMREC	PPB	PAUSE PLAYBACK (PB CONTROL) Record Mode C	400	4	0	4,040,395:00:0	
745	97	194	09:28:04.066	20XE4A	7SAFE	UNSTOW	S/P TO 153 deg cone	400	4	0	4,040,398:06:0	
746	97	194	09:32:10.733	20UQ4A	7SAFE	STOP	S/P NO MOVEMENT	400	4	0	4,040,402:12:0	
747	97	194	09:33:00.733	20UQ4B	7SLEW	DIS,POS,0.0	Stator movement	400	4	0	4,040,402:87:0	
748	97	194	09:35:04.733	176XV6A	6TMREC	RPB	RESUME PLAYBACK (PB CONTROL) Record Mode	400	4	0	4,040,405:00:0	
749	97	194	09:36:05.400	185XE10A3A	40HRP		1 RCT Heater ON (primary relay)	400	4	0	4,040,406:00:0	
750	97	194	09:36:10.733	185XE10B3A	40HRP		2 RCT Heater ON (primary relay)	400	4	0	4,040,406:08:0	
751	97	194	09:53:04.066	488BU6C	6TMSED	FILL,AL6	Sci, Eng, and D/L Chan	400	4	0	4,040,422:72:0	
752	97	194	09:56:53.400	488BU6D	6TMSED	FILL,AL8	Sci, Eng, and D/L Chan	400	4	0	4,040,426:52:0	
753	97	194	09:58:33.400	488BU6E	6TMSED	NORM,AL8	Sci, Eng, and D/L Chan	400	4	0	4,040,428:20:0	
754	97	194	19:43:33.400	488BV6A	6TMSED	NORM,AL7	Sci, Eng, and D/L Chan	400	4	0	4,041,006:72:0	
755	97	194	20:53:57.400	488BV6B	6TMSED	NORM,AL6	Sci, Eng, and D/L Chan	400	4	0	4,041,076:38:0	
756	97	194	21:28:05.400	488BV6C	6TMSED	NORM,AL4	Sci, Eng, and D/L Chan	400	4	0	4,041,110:16:0	
757	97	194	21:30:52.066	125XE	NIMSINIT	GS	##### GROUP START INIT	400	4	0	4,041,112:84:0	
758	97	194	21:30:52.066	125XE4A	37IST	1,0,0,OFF,0,0,0	Chopper ON, Sync, 63Hz (Ref)	460	4	0	4,041,112:84:0	
759	97	194	21:31:52.733	125XE4B	37IST	1,2,0,OFF,0,0,0	Chopper ON, Sync, Chopper (Ref)	4R0	4	0	4,041,113:84:0	
760	97	194	21:32:53.400	125XE4C	37IST	0,2,0,OFF,0,1,3	Gain State 1	1R0	4	0	4,041,114:84:0	
761	97	194	21:33:54.066	125XE11A	NIMSINIT	GE	##### GROUP END INIT	1R0	4	0	4,041,115:84:0	
762	97	194	21:33:54.066	125XE4D	37MB	1B,1B,0,0,0,0	Selects mirror (spatial) edit table	1R0	4	0	4,041,115:84:0	
763	97	194	21:35:55.400	127XE4A	37IOP	3,0	Long Map, Grating Start Position =00	1R3	4	0	4,041,117:84:0	
764	97	194	21:35:55.400	127XE4B	NIMSTAB	GS	%%%%% GROUP START TAB	1R3	4	0	4,041,117:84:0	
765	97	194	21:35:56.066	127XE4B	37ETB	0A,CA,18,03,FF,1	Loads wavelength edit table	1R3	4	0	4,041,117:85:0	
766	97	194	21:36:04.066	127XE11A	NIMSTAB	GE	%%%% GROUP END TAB	1R3	4	0	4,041,118:06:0	
767	97	194	21:37:20.733	33A4A	37MPT		1,192,192 Modify Parameter Table (affects scanning m	1R3	4	0	4,041,119:30:0	
768	97	194	21:40:02.733	176XE6A	6TMREC	PPB	PAUSE PLAYBACK (PB CONTROL) Record Mode C	1R3	4	0	4,041,122:00:0	

Line	YR	DOY	SCET - GMT	PSID	Command	Parameters	Description	GCM	GO	GS	RIM	MFI
769	97	194	21:45:09.400	488BV6D	6TMSED	NORM,AL5	Sci, Eng, and D/L Chan	1R3	4	0	4,041,127:05:0	
770	97	194	21:46:06.733	192XE4A	7CONE	17.0,119.7	Check S/P Position	1R3	4	0	4,041,128:00:0	
771	97	194	21:48:28.066	432XE6A	6RTSL2	NIMSEL,AACNCG,RT	NIMS R/T SELECT	1R3	4	0	4,041,130:30:0	
772	97	194	21:49:27.400	432XF6A	6RTDS2	NIMDSL,AACNCG,RT	NIMS R/T DESELECT	1R3	4	0	4,041,131:28:0	
773	97	194	21:52:10.733	192XE4B	7CONE	17.0,0.0	Check S/P Position	1R3	4	0	4,041,134:00:0	
774	97	194	21:54:32.066	432XU6A	6RTSL2	NIMSEL,AACNCG,RT	NIMS R/T SELECT	1R3	4	0	4,041,136:30:0	
775	97	194	21:56:32.066	432XV6A	6RTDS2	NIMDSL,AACNCG,RT	NIMS R/T DESELECT	1R3	4	0	4,041,138:28:0	
776	97	194	21:58:14.733	192XE4C	7CONE	17.0,119.7	Check S/P Position	1R3	4	0	4,041,140:00:0	
777	97	194	22:00:16.066	185XE10C3A	40HRPR		1 RCT Heater OFF (primary relay)	1R3	4	0	4,041,142:00:0	
778	97	194	22:00:21.400	185XE10D3A	40HRPR		2 RCT Heater OFF (primary relay)	1R3	4	0	4,041,142:08:0	
779	97	194	22:00:36.066	432XW6A	6RTSL2	NIMSEL,AACNCG,RT	NIMS R/T SELECT	1R3	4	0	4,041,142:30:0	
780	97	194	22:01:35.400	432XY6A	6RTDS2	NIMDSL,AACNCG,RT	NIMS R/T DESELECT	1R3	4	0	4,041,143:28:0	
781	97	194	22:04:18.733	192XE4D	7CONE	17.0,153.0	Check S/P Position	1R3	4	0	4,041,146:00:0	
782	97	194	22:05:14.733	127XF	NIMSTAB	GS	%%%%GROUP START TAB	1R3	4	0	4,041,146:84:0	
783	97	194	22:05:14.733	127XF4A	37IOP	0.0	Safe, Grating Start Position =00	1R0	4	0	4,041,146:84:0	
784	97	194	22:05:15.400	127XF4B	37ETB	04,C4,02,00,00	Loads wavelength edit table	1R0	4	0	4,041,146:85:0	
785	97	194	22:05:23.400	127XF11A	NIMSTAB	GE	%%%%GROUP END TAB	1R0	4	0	4,041,147:06:0	
786	97	194	22:08:16.733	125XF	NIMSINIT	GS	##### GROUP START INIT	1R0	4	0	4,041,149:84:0	
787	97	194	22:08:16.733	125XF4A	37MB	0,0,0,0,0,0	Selects mirror (spatial) edit table	1R0	4	0	4,041,149:84:0	
788	97	194	22:09:17.400	125XF4B	37IST	1,0,0,OFF,0,0,0	Chopper ON, Sync, 63Hz (Ref)	160	4	0	4,041,150:84:0	
789	97	194	22:10:18.066	125XF4C	37IST	1,1,0,OFF,0,0,0	Chopper OFF, N/A, 63Hz (Ref)	100	4	0	4,041,151:84:0	
790	97	194	22:10:18.066	125XF11A	NIMSINIT	GE	##### GROUP END INIT	100	4	0	4,041,151:84:0	
791	97	194	22:16:30.733	41SY99A	POWER	PWR MODE change	Change to Maneuver/Playback Mode	100	4	0	4,041,158:06:0	
792	97	194	22:18:24.733	41SY3G	40T1P		1 PCT Heater 1 ON (primary relay)	100	4	0	4,041,159:86:0	
793	97	194	22:18:34.733	41SY3H	40T1P		2 PCT Heater 1 ON (primary relay)	100	4	0	4,041,160:10:0	
794	97	194	22:18:44.733	41SY3I	40T2		1 PCT Heater 2 ON	100	4	0	4,041,160:25:0	
795	97	194	22:18:54.733	41SY3J	40T2		2 PCT Heater 2 ON	100	4	0	4,041,160:40:0	
796	97	194	22:25:41.400	488BV6E	6TMSED	NORM,AL6	Sci, Eng, and D/L Chan	100	4	0	4,041,167:13:0	
797	97	194	22:26:41.400	20UR4A	7SAFE	STOP	S/P NO MOVEMENT	100	4	0	4,041,168:12:0	
798	97	194	22:27:31.400	20UR4B	7SLEW	DIS,POS,0.0	Stator movement	100	4	0	4,041,168:87:0	
799	97	194	22:29:35.400	176XF6A	6TMREC	RPB	RESUME PLAYBACK (PB CONTROL) Record Mode	100	4	0	4,041,171:00:0	
800	97	194	22:29:39.399	C9NNRCTRLT01-		-----STOP-----		100	4	0	:	
801	97	195	01:39:00.066	488BW6A	6TMSED	NORM,AH6	Sci, Eng, and D/L Chan	100	4	0	4,041,358:30:0	
802	97	195	01:44:44.066	176KB6A	6TMREC	PPB	PAUSE PLAYBACK (PB CONTROL) Record Mode C	100	4	0	4,041,364:00:0	
803	97	195	01:45:00.066	488BW6B	6TMSED	NORM,EH6	Sci, Eng, and D/L Chan	100	4	0	4,041,364:24:0	
804	97	195	02:25:02.066	490UA412A4B	7MODE	INT	AACS INERTIAL MODE	100	4	0	4,041,403:78:0	
805	97	195	02:30:00.066	490UA412A4D	7SAFE	UNSTOW	S/P TO 153 deg cone	100	4	0	4,041,408:70:0	
806	97	195	02:34:10.066	490UA412A4E	7VECT		Inert vect update UTC	100	4	0	4,041,412:81:0	
807	97	195	02:34:14.066	490UA412A4F	7TURN	2,RTH	ALERT Thruster	100	4	0	4,041,412:87:0	
808	97	195	02:38:02.066	490UA412A406A4A	7STAR	1,3000,95.710999	Star catalog update	100	4	0	4,041,416:65:0	
809	97	195	02:38:04.066	490UA412A406A4B	7STAR	2,98,27.694,63.4	Star catalog update	100	4	0	4,041,416:68:0	
810	97	195	02:38:06.066	490UA412A406A4C	7STAR	3,138,199.44	Star catalog update	100	4	0	4,041,416:71:0	
811	97	195	02:38:08.066	490UA412A406A4D	7STAR	4,0,0,0,0,0	Star catalog update	100	4	0	4,041,416:74:0	
812	97	195	02:38:10.066	490UA412A406A4E	7STAR	5,0,0,0,0,0	Star catalog update	100	4	0	4,041,416:77:0	
813	97	195	02:38:12.066	490UA412A406A4F	7STAR	6,0,0,0,0,0	Star catalog update	100	4	0	4,041,416:80:0	
814	97	195	03:13:41.400	488BW6C	6TMSED	NORM,EH5	Sci, Eng, and D/L Chan	100	4	0	4,041,451:89:0	
815	97	195	03:46:12.733	490UA412A4L	7MODE	CRU	AACS CRUISE MODE	100	4	0	4,041,484:13:0	
816	97	195	04:02:59.400	432PG431A6A	6RCDSL	DDSNCG,PLSNCG,EP	Record Deselect (DDS o	100	4	0	4,041,500:67:0	
817	97	195	04:03:00.066	432PG6A	6RTSL1		R/T Select of DDS and	100	4	0	4,041,500:68:0	
818	97	195	04:04:56.667	C9NNPCTRLT01-		-----START-----		100	4	0	:	
819	97	195	04:05:00.066	488BW6D	6TMSED	NORM,EL5	Sci, Eng, and D/L Chan	100	4	0	4,041,502:66:0	
820	97	195	04:05:00.066	41SI99A	POWER	PWR MODE change	Change to Data Taking Mode	100	4	0	4,041,502:66:0	
821	97	195	04:05:04.066	41SI3A	40T1PR		1 PCT Heater 1 OFF (primary relay)	100	4	0	4,041,502:72:0	
822	97	195	04:05:14.066	41SI3B	40T1PR		2 PCT Heater 1 OFF (primary relay)	100	4	0	4,041,502:87:0	
823	97	195	04:05:24.066	41SI3C	40T2R		1 PCT Heater 2 OFF	100	4	0	4,041,503:11:0	

Line	YR	DOY	SCET - GMT	PSID	Command Parameters	Description	GCM	GO	GS	RIM	MF I
824	97	195	04:05:34.066	41S13D	40T2R	2 PCT Heater 2 OFF	100	4	0	4,041,503:26:0	
825	97	195	04:39:01.400	488BW6E	6TMSED NORM,EL4	Sci, Eng, and D/L Chan	100	4	0	4,041,536:34:0	
826	97	195	04:39:39.400		DMS: : *E4-DELAY	RDY, TRACK 1, FWD, TIC 2062.52 +/-	100	4	0	4,041,537:00:0	
827	97	195	04:39:39.400		DMS: : *SLEW-TIC	P7, TRACK *1, FWD, TIC 2062.52 +/-	100	4	0	4,041,537:00:0	
828	97	195	04:39:39.400	465KQ6A	6DMST	2133 PMS Slew to TIC	100	4	0	4,041,537:00:0	
829	97	195	04:39:46.066		DMS: : *RUNUP	P7, TRACK 1, FWD, TIC 2062.52 +/-	100	4	0	4,041,537:10:0	
830	97	195	04:39:47.466		DMS: : *AT SPD	P7, TRACK 1, FWD, TIC *2062.64 +/-	100	4	0	4,041,537:12:1	
831	97	195	04:44:38.200		DMS: : *RUNDOWN	P7, TRACK 1, FWD, TIC *2130.94 +/-	100	4	0	4,041,541:84:2	
832	97	195	04:44:39.400		DMS: : *READY	RDY, TRACK 1, FWD, TIC *2131.00 +/-	100	4	0	4,041,541:86:0	
833	97	195	05:06:45.400	488BX6A	6TMSED NORM,EL5	Sci, Eng, and D/L Chan	100	4	0	4,041,563:73:0	
834	97	195	06:10:45.400	488BX6B	6TMSED NORM,EL6	Sci, Eng, and D/L Chan	100	4	0	4,041,627:09:0	
835	97	195	06:14:41.400	165AU4A	7SCAN NORM,238.858,-22	Check S/P Position	100	4	0	4,041,630:90:0	
836	97	195	06:18:35.400	117AU	CSMOS GS	**** GROUP START CSMOS	100	4	0	4,041,634:77:0	
837	97	195	06:18:44.733	117AU105A106A4A	7STRP 0.016001,0.0,0.0	Slew = 0.01	100	4	0	4,041,635:00:0	
838	97	195	06:48:04.066	117AU105A106A4B	7STRP -0.016001,0.0,0.0	Slew = 17.01	100	4	0	4,041,664:00:0	
839	97	195	06:49:04.733	117AU105A106A4C	7STRP 0.016001,0.0,0.0	Slew = 0.01	100	4	0	4,041,665:00:0	
840	97	195	07:18:24.066	117AU105A106A4D	7STRP -0.016001,0.0,0.0	Slew = 17.01	100	4	0	4,041,694:00:0	
841	97	195	07:19:24.733	117AU105A106A4E	7STRP 0.016001,0.0,0.0	Slew = 0.01	100	4	0	4,041,695:00:0	
842	97	195	07:48:44.066	117AU11A	CSMOS GE	**** GROUP END CSMOS	100	4	0	4,041,724:00:0	
843	97	195	07:49:44.066	165AV4A	7SCAN NORM,278.436996,	Check S/P Position	100	4	0	4,041,724:90:0	
844	97	195	07:53:38.066	117AV	CSMOS GS	**** GROUP START CSMOS	100	4	0	4,041,728:77:0	
845	97	195	07:53:47.400	117AV105A106A4A	7STRP 0.016001,0.0,0.0	Slew = 0.01	100	4	0	4,041,729:00:0	
846	97	195	08:23:06.733	117AV105A106A4B	7STRP -0.016001,0.0,0.0	Slew = 17.01	100	4	0	4,041,758:00:0	
847	97	195	08:24:07.400	117AV105A106A4C	7STRP 0.016001,0.0,0.0	Slew = 0.01	100	4	0	4,041,759:00:0	
848	97	195	08:53:26.666	117AV105A106A4D	7STRP -0.016001,0.0,0.0	Slew = 17.01	100	4	0	4,041,788:00:0	
849	97	195	08:54:27.333	117AV105A106A4E	7STRP 0.016001,0.0,0.0	Slew = 0.01	100	4	0	4,041,789:00:0	
850	97	195	09:23:46.666	117AV11A	CSMOS GE	**** GROUP END CSMOS	100	4	0	4,041,818:00:0	
851	97	195	09:28:00.000	444UE443A4A	7SAFE UNSTOW	S/P TO 153 deg cone	100	4	0	4,041,822:16:0	
852	97	195	09:32:00.000	444UE443A4B	7MODE SPNL	AACS ALL-SPIN LOW	100	4	0	4,041,826:12:0	
853	97	195	09:41:00.000	444UE443A4C	7CLK 17.450.0	Check S/P Position	100	4	0	4,041,835:03:0	
854	97	195	09:44:59.333	432PC431A6A	6RCDSL DDSNCG,PLSNCG,EP	Record Deselect (DDS o	100	4	0	4,041,838:89:0	
855	97	195	09:45:00.000	432PC6A	6RTSL1	R/T Select of DDS and	100	4	0	4,041,838:90:0	
856	97	195	09:49:03.333	465KR6A	6DMSC RDY,3	DMS Control Tape stop	100	4	0	4,041,843:00:0	
857	97	195	09:49:03.333		DMS: : READY	RDY, TRACK *3, FWD, TIC 2131.00 +/-	100	4	0	4,041,843:00:0	
858	97	195	09:59:00.000	488BX6C	6TMSED NORM,AL6	Sci, Eng, and D/L Chan	100	4	0	4,041,852:76:0	
859	97	195	10:03:02.000		DMS: : *E4-DELAY	RDY, TRACK *1, FWD, TIC 2131.00 +/-	100	4	0	4,041,856:75:0	
860	97	195	10:03:02.000	175TB422A6A	6DMSC R7.3	DMS Control	100	4	0	4,041,856:75:0	
861	97	195	10:03:08.666		DMS: : *RUNUP	R7, TRACK *3, FWD, TIC 2131.00 +/-	100	4	0	4,041,856:85:0	
862	97	195	10:03:10.000	175TB176A6A	6TMREC LPW	7.68 KBPS LOW RATE SCI PWS RECORD Record	100	4	0	4,041,856:87:0	
863	97	195	10:03:10.000	282NC431A6A	6RCSEL DDSNCG,PLSSEL,EP	Record Select (DDS onl	100	4	0	4,041,856:87:0	
864	97	195	10:03:10.066		DMS: : *RECORD	R7, TRACK 3, FWD, TIC *2131.12 +/-	100	4	0	4,041,856:87:1	
865	97	195	10:03:10.066		DMS: : *AT SPD	R7, TRACK 3, FWD, TIC 2131.12 +/-	100	4	0	4,041,856:87:1	
866	97	195	10:03:12.666	431OG6A	6RCSEL DDSNCG,PLSNCG,EP	Record Select (DDS onl	100	4	0	4,041,857:00:0	
867	97	195	10:13:18.666	428JD6A	6RCCLR		100	4	0	4,041,866:90:0	
868	97	195	10:13:19.333	428JD6B	6RCSET		100	4	0	4,041,867:00:0	
869	97	195	10:20:24.000	192IA4A	7CONE 17.4,60.36	Check S/P Position	100	4	0	4,041,874:00:0	
870	97	195	10:20:24.666	192IA4B	7CLK 17.4,243.619999	Check S/P Position	100	4	0	4,041,874:01:0	
871	97	195	10:24:22.000	175JN422A6A	6DMSC R806.3	DMS Control	100	4	0	4,041,877:84:0	
872	97	195	10:24:22.000		DMS: : *RUNDOWN	R7, TRACK 3, FWD, TIC *2429.23 +/-	100	4	0	4,041,877:84:0	
873	97	195	10:24:23.200		DMS: : *RUNUP	R806, TRACK 3, FWD, TIC *2429.29 +/-	100	4	0	4,041,877:85:8	
874	97	195	10:24:28.000	175JN176A6A	6TMREC IM8	806.4 KBPS IMAGE RECORD Record Mode Chang	100	4	0	4,041,878:02:0	
875	97	195	10:24:28.466		DMS: : *AT SPD	R806, TRACK 3, FWD, TIC 2495.29 +/-	100	4	0	4,041,878:02:7	
876	97	195	10:24:28.466		DMS: : *RECORD	R806, TRACK 3, FWD, TIC *2495.29 +/-	100	4	0	4,041,878:02:7	
877	97	195	10:24:52.666		DMS: : *RUNDOWN	R806, TRACK 3, FWD, TIC *3090.84 +/-	100	4	0	4,041,878:39:0	
878	97	195	10:24:52.666	175TC422A6A	6DMSC R7.3	DMS Control	100	4	0	4,041,878:39:0	

Line	YR	DOY	SCET - GMT	PSID	Command	Parameters	Description	GCM	GO	GS	RIM	MFI
879	97	195	10:24:55.400		DMS:	:*RUNUP	R7, TRACK 3, FWD, TIC *3102.34 +/-	100	4	0	4,041,878:43:1	
880	97	195	10:24:56.666	175TC176A6A	6TMREC	LPW	7.68 KBPS LOW RATE SCI PWS RECORD	100	4	0	4,041,878:45:0	
881	97	195	10:24:56.800		DMS:	:*AT SPD	R7, TRACK 3, FWD, TIC 3102.46 +/-	100	4	0	4,041,878:45:2	
882	97	195	10:24:56.800		DMS:	:*RECORD	R7, TRACK 3, FWD, TIC *3102.46 +/-	100	4	0	4,041,878:45:2	
883	97	195	10:25:05.333		DMS:	:*RUNDOWN	R7, TRACK 3, FWD, TIC *3104.46 +/-	100	4	0	4,041,878:58:0	
884	97	195	10:25:05.333	175KT422A6A	6DMSC	R806.3	DMS Control	100	4	0	4,041,878:58:0	
885	97	195	10:25:06.533		DMS:	:*RUNUP	R806, TRACK 3, FWD, TIC *3104.52 +/-	100	4	0	4,041,878:59:8	
886	97	195	10:25:11.333	175KT176A6A	6TMREC	IM8	806.4 KBPS IMAGE RECORD Record Mode Chang	100	4	0	4,041,878:67:0	
887	97	195	10:25:11.800		DMS:	:*RECORD	R806, TRACK 3, FWD, TIC *3170.52 +/-	100	4	0	4,041,878:67:7	
888	97	195	10:25:11.800		DMS:	:*AT SPD	R806, TRACK 3, FWD, TIC 3170.52 +/-	100	4	0	4,041,878:67:7	
889	97	195	10:25:18.666		DMS:	:*RUNDOWN	R806, TRACK 3, FWD, TIC *3339.50 +/-	100	4	0	4,041,878:78:0	
890	97	195	10:25:18.666	175TD422A6A	6DMSC	R7.3	DMS Control	100	4	0	4,041,878:78:0	
891	97	195	10:25:21.400		DMS:	:*RUNUP	R7, TRACK 3, FWD, TIC *3351.00 +/-	100	4	0	4,041,878:82:1	
892	97	195	10:25:22.666	175TD176A6A	6TMREC	LPW	7.68 KBPS LOW RATE SCI PWS RECORD	100	4	0	4,041,878:84:0	
893	97	195	10:25:22.800		DMS:	:*AT SPD	R7, TRACK 3, FWD, TIC 3351.12 +/-	100	4	0	4,041,878:84:2	
894	97	195	10:25:22.800		DMS:	:*RECORD	R7, TRACK 3, FWD, TIC *3351.12 +/-	100	4	0	4,041,878:84:2	
895	97	195	10:25:31.333		DMS:	:*RUNDOWN	R7, TRACK 3, FWD, TIC *3353.12 +/-	100	4	0	4,041,879:06:0	
896	97	195	10:25:31.333	175KU422A6A	6DMSC	R806.3	DMS Control	100	4	0	4,041,879:06:0	
897	97	195	10:25:32.533		DMS:	:*RUNUP	R806, TRACK 3, FWD, TIC *3353.18 +/-	100	4	0	4,041,879:07:8	
898	97	195	10:25:37.333	175KU176A6A	6TMREC	IM8	806.4 KBPS IMAGE RECORD Record Mode Chang	100	4	0	4,041,879:15:0	
899	97	195	10:25:37.800		DMS:	:*RECORD	R806, TRACK 3, FWD, TIC *3419.18 +/-	100	4	0	4,041,879:15:7	
900	97	195	10:25:37.800		DMS:	:*AT SPD	R806, TRACK 3, FWD, TIC 3419.18 +/-	100	4	0	4,041,879:15:7	
901	97	195	10:25:44.666	175TE422A6A	6DMSC	R7.3	DMS Control	100	4	0	4,041,879:26:0	
902	97	195	10:25:44.666		DMS:	:*RUNDOWN	R806, TRACK 3, FWD, TIC *3588.16 +/-	100	4	0	4,041,879:26:0	
903	97	195	10:25:47.400		DMS:	:*RUNUP	R7, TRACK 3, FWD, TIC *3599.66 +/-	100	4	0	4,041,879:30:1	
904	97	195	10:25:48.666	175TE176A6A	6TMREC	LPW	7.68 KBPS LOW RATE SCI PWS RECORD	100	4	0	4,041,879:32:0	
905	97	195	10:25:48.800		DMS:	:*RECORD	R7, TRACK 3, FWD, TIC *3599.78 +/-	100	4	0	4,041,879:32:2	
906	97	195	10:25:48.800		DMS:	:*AT SPD	R7, TRACK 3, FWD, TIC 3599.78 +/-	100	4	0	4,041,879:32:2	
907	97	195	10:25:57.333	175KV422A6A	6DMSC	R806.3	DMS Control	100	4	0	4,041,879:45:0	
908	97	195	10:25:57.333		DMS:	:*RUNDOWN	R7, TRACK 3, FWD, TIC *3601.78 +/-	100	4	0	4,041,879:45:0	
909	97	195	10:25:58.533		DMS:	:*RUNUP	R806, TRACK 3, FWD, TIC *3601.84 +/-	100	4	0	4,041,879:46:8	
910	97	195	10:26:03.333	175KV176A6A	6TMREC	IM8	806.4 KBPS IMAGE RECORD Record Mode Chang	100	4	0	4,041,879:54:0	
911	97	195	10:26:03.800		DMS:	:*RECORD	R806, TRACK 3, FWD, TIC *3667.84 +/-	100	4	0	4,041,879:54:7	
912	97	195	10:26:03.800		DMS:	:*AT SPD	R806, TRACK 3, FWD, TIC 3667.84 +/-	100	4	0	4,041,879:54:7	
913	97	195	10:26:10.666	175TF422A6A	6DMSC	R7.3	DMS Control	100	4	0	4,041,879:65:0	
914	97	195	10:26:10.666		DMS:	:*RUNDOWN	R806, TRACK 3, FWD, TIC *3836.83 +/-	100	4	0	4,041,879:65:0	
915	97	195	10:26:13.400		DMS:	:*RUNUP	R7, TRACK 3, FWD, TIC *3848.33 +/-	100	4	0	4,041,879:69:1	
916	97	195	10:26:14.666	175TF176A6A	6TMREC	LPW	7.68 KBPS LOW RATE SCI PWS RECORD	100	4	0	4,041,879:71:0	
917	97	195	10:26:14.800		DMS:	:*AT SPD	R7, TRACK 3, FWD, TIC 3848.45 +/-	100	4	0	4,041,879:71:2	
918	97	195	10:26:14.800		DMS:	:*RECORD	R7, TRACK 3, FWD, TIC *3848.45 +/-	100	4	0	4,041,879:71:2	
919	97	195	10:27:30.000	175KW422A6A	6DMSC	R115.3	DMS Control	100	4	0	4,041,881:02:0	
920	97	195	10:27:30.000		DMS:	:*RUNDOWN	R7, TRACK 3, FWD, TIC *3866.07 +/-	100	4	0	4,041,881:02:0	
921	97	195	10:27:31.200		DMS:	:*RUNUP	R115, TRACK 3, FWD, TIC *3866.13 +/-	100	4	0	4,041,881:03:8	
922	97	195	10:27:35.200		DMS:	:*AT SPD	R115, TRACK 3, FWD, TIC 3872.43 +/-	100	4	0	4,041,881:09:8	
923	97	195	10:27:35.200		DMS:	:*RECORD	R115, TRACK 3, FWD, TIC *3872.43 +/-	100	4	0	4,041,881:09:8	
924	97	195	10:27:35.333	175KW176A6A	6TMREC	HIM	115.2 KBPS SSI + NIMS RECORD Record Mode	100	4	0	4,041,881:10:0	
925	97	195	10:28:29.333		DMS:	:*RUNDOWN	R115, TRACK 3, FWD, TIC *4062.75 +/-	100	4	0	4,041,882:00:0	
926	97	195	10:28:29.333	175TG422A6A	6DMSC	R7.3	DMS Control	100	4	0	4,041,882:00:0	
927	97	195	10:28:30.533		DMS:	:*RUNUP	R7, TRACK 3, FWD, TIC *4063.75 +/-	100	4	0	4,041,882:01:8	
928	97	195	10:28:31.933		DMS:	:*AT SPD	R7, TRACK 3, FWD, TIC 4063.87 +/-	100	4	0	4,041,882:03:9	
929	97	195	10:28:31.933		DMS:	:*RECORD	R7, TRACK 3, FWD, TIC *4063.87 +/-	100	4	0	4,041,882:03:9	
930	97	195	10:28:32.000	175TG176A6A	6TMREC	LPW	7.68 KBPS LOW RATE SCI PWS RECORD	100	4	0	4,041,882:04:0	
931	97	195	10:29:31.333	175KX422A6A	6DMSC	R115.3	DMS Control	100	4	0	4,041,883:02:0	
932	97	195	10:29:31.333		DMS:	:*RUNDOWN	R7, TRACK 3, FWD, TIC *4077.79 +/-	100	4	0	4,041,883:02:0	
933	97	195	10:29:32.533		DMS:	:*RUNUP	R115, TRACK 3, FWD, TIC *4077.85 +/-	100	4	0	4,041,883:03:8	

Line	YR	DOY	SCET - GMT	PSID	Command Parameters	Description	GCM	GO	GS	RIM	MFI
934	97	195	10:29:36.533		DMS: : *AT_SPD	R115, TRACK 3, FWD, TIC 4084.15 +/- 1	100	4	0	4,041,883:09:8	
935	97	195	10:29:36.533		DMS: : *RECORD	R115, TRACK 3, FWD, TIC *4084.15 +/- 1	100	4	0	4,041,883:09:8	
936	97	195	10:29:36.666	175KX176A6A	6TMREC HIM	115.2 KBPS SSI + NIMS RECORD Record Mode	100	4	0	4,041,883:10:0	
937	97	195	10:30:30.666	176ID6A	6TMREC HIS	115.2 KBPS SSI + NIMS RECORD Record Mode	100	4	0	4,041,884:00:0	
938	97	195	10:31:16.666		DMS: : *RUNDOWN	R115, TRACK 3, FWD, TIC *4436.18 +/- 1	100	4	0	4,041,884:69:0	
939	97	195	10:31:16.666	175TH422A6A	6DMSC R7,3	DMS Control	100	4	0	4,041,884:70:8	
940	97	195	10:31:17.866		DMS: : *RUNUP	R7, TRACK 3, FWD, TIC *4437.18 +/- 2	100	4	0	4,041,884:70:8	
941	97	195	10:31:19.266		DMS: : *RECORD	R7, TRACK 3, FWD, TIC *4437.30 +/- 2	100	4	0	4,041,884:72:9	
942	97	195	10:31:19.266		DMS: : *AT_SPD	R7, TRACK 3, FWD, TIC 4437.30 +/- 2	100	4	0	4,041,884:72:9	
943	97	195	10:31:19.333	175TH176A6A	6TMREC LPW	7.68 KBPS LOW RATE SCI PWS RECORD Record	100	4	0	4,041,884:73:0	
944	97	195	10:31:26.666		DMS: : *RUNDOWN	R7, TRACK 3, FWD, TIC *4439.03 +/- 2	100	4	0	4,041,884:84:0	
945	97	195	10:31:26.666	175KY422A6A	6DMSC R115.3	DMS Control	100	4	0	4,041,884:84:0	
946	97	195	10:31:27.866		DMS: : *RUNUP	R115, TRACK 3, FWD, TIC *4439.09 +/- 2	100	4	0	4,041,884:85:8	
947	97	195	10:31:31.866		DMS: : *RECORD	R115, TRACK 3, FWD, TIC *4445.39 +/- 2	100	4	0	4,041,885:00:8	
948	97	195	10:31:31.866		DMS: : *AT_SPD	R115, TRACK 3, FWD, TIC 4445.39 +/- 2	100	4	0	4,041,885:00:8	
949	97	195	10:31:32.000	175KY176A6A	6TMREC HIS	115.2 KBPS SSI + NIMS RECORD Record Mode	100	4	0	4,041,885:01:0	
950	97	195	10:31:46.666		DMS: : *RUNDOWN	R115, TRACK 3, FWD, TIC *4497.43 +/- 2	100	4	0	4,041,885:23:0	
951	97	195	10:31:46.666	175TI422A6A	6DMSC R7,3	DMS Control	100	4	0	4,041,885:23:0	
952	97	195	10:31:47.866		DMS: : *RUNUP	R7, TRACK 3, FWD, TIC *4498.43 +/- 2	100	4	0	4,041,885:24:8	
953	97	195	10:31:49.266		DMS: : *AT_SPD	R7, TRACK 3, FWD, TIC 4498.55 +/- 2	100	4	0	4,041,885:26:9	
954	97	195	10:31:49.266		DMS: : *RECORD	R7, TRACK 3, FWD, TIC *4498.55 +/- 2	100	4	0	4,041,885:26:9	
955	97	195	10:31:49.333	175TI176A6A	6TMREC LPW	7.68 KBPS LOW RATE SCI PWS RECORD Record	100	4	0	4,041,885:27:0	
956	97	195	10:31:57.333	175KZ422A6A	6DMSC R115.3	DMS Control	100	4	0	4,041,885:39:0	
957	97	195	10:31:57.333		DMS: : *RUNDOWN	R7, TRACK 3, FWD, TIC *4500.44 +/- 2	100	4	0	4,041,885:39:0	
958	97	195	10:31:58.533		DMS: : *RUNUP	R115, TRACK 3, FWD, TIC *4500.50 +/- 2	100	4	0	4,041,885:40:8	
959	97	195	10:32:02.533		DMS: : *RECORD	R115, TRACK 3, FWD, TIC *4506.80 +/- 2	100	4	0	4,041,885:46:8	
960	97	195	10:32:02.533		DMS: : *AT_SPD	R115, TRACK 3, FWD, TIC 4506.80 +/- 2	100	4	0	4,041,885:46:8	
961	97	195	10:32:02.666	175KZ176A6A	6TMREC HIS	115.2 KBPS SSI + NIMS RECORD Record Mode	100	4	0	4,041,885:47:0	
962	97	195	10:32:17.333		DMS: : *RUNDOWN	R115, TRACK 3, FWD, TIC *4558.83 +/- 2	100	4	0	4,041,885:69:0	
963	97	195	10:32:17.333	175TJ422A6A	6DMSC R7,3	DMS Control	100	4	0	4,041,885:69:0	
964	97	195	10:32:18.533		DMS: : *RUNUP	R7, TRACK 3, FWD, TIC *4559.83 +/- 2	100	4	0	4,041,885:70:8	
965	97	195	10:32:19.933		DMS: : *AT_SPD	R7, TRACK 3, FWD, TIC 4559.95 +/- 2	100	4	0	4,041,885:72:9	
966	97	195	10:32:19.933		DMS: : *RECORD	R7, TRACK 3, FWD, TIC *4559.95 +/- 2	100	4	0	4,041,885:72:9	
967	97	195	10:32:20.000	175TJ176A6A	6TMREC LPW	7.68 KBPS LOW RATE SCI PWS RECORD Record	100	4	0	4,041,885:73:0	
968	97	195	10:32:27.333	175LA422A6A	6DMSC R115.3	DMS Control	100	4	0	4,041,885:84:0	
969	97	195	10:32:27.333		DMS: : *RUNDOWN	R7, TRACK 3, FWD, TIC *4561.68 +/- 2	100	4	0	4,041,885:84:0	
970	97	195	10:32:28.533		DMS: : *RUNUP	R115, TRACK 3, FWD, TIC *4561.74 +/- 2	100	4	0	4,041,885:85:8	
971	97	195	10:32:32.533		DMS: : *AT_SPD	R115, TRACK 3, FWD, TIC 4568.04 +/- 2	100	4	0	4,041,886:00:8	
972	97	195	10:32:32.533		DMS: : *RECORD	R115, TRACK 3, FWD, TIC *4568.04 +/- 2	100	4	0	4,041,886:00:8	
973	97	195	10:32:32.666	175LA176A6A	6TMREC HIS	115.2 KBPS SSI + NIMS RECORD Record Mode	100	4	0	4,041,886:01:0	
974	97	195	10:32:47.333		DMS: : *RUNDOWN	R115, TRACK 3, FWD, TIC *4620.07 +/- 2	100	4	0	4,041,886:23:0	
975	97	195	10:32:47.333	175TK422A6A	6DMSC R7,3	DMS Control	100	4	0	4,041,886:23:0	
976	97	195	10:32:48.533		DMS: : *RUNUP	R7, TRACK 3, FWD, TIC *4621.07 +/- 2	100	4	0	4,041,886:24:8	
977	97	195	10:32:49.933		DMS: : *AT_SPD	R7, TRACK 3, FWD, TIC 4621.19 +/- 2	100	4	0	4,041,886:26:9	
978	97	195	10:32:49.933		DMS: : *RECORD	R7, TRACK 3, FWD, TIC *4621.19 +/- 2	100	4	0	4,041,886:26:9	
979	97	195	10:32:50.000	175TK176A6A	6TMREC LPW	7.68 KBPS LOW RATE SCI PWS RECORD Record	100	4	0	4,041,886:27:0	
980	97	195	10:32:58.000		DMS: : *RUNDOWN	R7, TRACK 3, FWD, TIC *4623.08 +/- 2	100	4	0	4,041,886:39:0	
981	97	195	10:32:58.000	175LB422A6A	6DMSC R115.3	DMS Control	100	4	0	4,041,886:39:0	
982	97	195	10:32:59.200		DMS: : *RUNUP	R115, TRACK 3, FWD, TIC *4623.14 +/- 2	100	4	0	4,041,886:40:8	
983	97	195	10:33:03.200		DMS: : *AT_SPD	R115, TRACK 3, FWD, TIC 4629.44 +/- 2	100	4	0	4,041,886:46:8	
984	97	195	10:33:03.200		DMS: : *RECORD	R115, TRACK 3, FWD, TIC *4629.44 +/- 2	100	4	0	4,041,886:46:8	
985	97	195	10:33:03.333	175LB176A6A	6TMREC HIS	115.2 KBPS SSI + NIMS RECORD Record Mode	100	4	0	4,041,886:47:0	
986	97	195	10:33:18.000		DMS: : *RUNDOWN	R115, TRACK 3, FWD, TIC *4681.47 +/- 2	100	4	0	4,041,886:69:0	
987	97	195	10:33:18.000	175TL422A6A	6DMSC R7,3	DMS Control	100	4	0	4,041,886:69:0	
988	97	195	10:33:19.200		DMS: : *RUNUP	R7, TRACK 3, FWD, TIC *4682.47 +/- 2	100	4	0	4,041,886:70:8	

Line	YR	DOY	SCET - GMT	PSID	Command Parameters	Description	GCM	GO	GS	RIM	MFI
989	97	195	10:33:20.600		DMS: : *AT_SPD	R7, TRACK 3, FWD, TIC 4682.59 +/- 2	100	4	0	4,041,886:72:9	
990	97	195	10:33:20.600		DMS: : *RECORD	R7, TRACK 3, FWD, TIC *4682.59 +/- 2	100	4	0	4,041,886:72:9	
991	97	195	10:33:20.666	175TL176A6A	6TMREC LPW	7.68 KBPS LOW RATE SCI PWS RECORD Record	100	4	0	4,041,886:73:0	
992	97	195	10:33:28.000		DMS: : *RUNDOWN	R7, TRACK 3, FWD, TIC *4684.33 +/- 2	100	4	0	4,041,886:84:0	
993	97	195	10:33:28.000	125FT	NIMSINIT GS	##### GROUP START INIT	100	4	0	4,041,886:84:0	
994	97	195	10:33:28.000	125FT4A	1,2,0,OFF,0,0,0	Chopper ON, Sync, 63Hz (Ref)	160	4	0	4,041,886:84:0	
995	97	195	10:33:28.000	175LC422A6A	6DMSC R115.3	DMS Control	160	4	0	4,041,886:84:0	
996	97	195	10:33:29.200		DMS: : *RUNUP	R115, TRACK 3, FWD, TIC *4684.39 +/- 2	160	4	0	4,041,886:85:8	
997	97	195	10:33:33.200		DMS: : *AT_SPD	R115, TRACK 3, FWD, TIC 4690.69 +/- 2	160	4	0	4,041,887:00:8	
998	97	195	10:33:33.200		DMS: : *RECORD	R115, TRACK 3, FWD, TIC *4690.69 +/- 2	160	4	0	4,041,887:00:8	
999	97	195	10:33:33.333	175LC176A6A	6TMREC HIS	115.2 KBPS SSI + NIMS RECORD Record Mode	160	4	0	4,041,887:01:0	
1000	97	195	10:33:48.000		DMS: : *RUNDOWN	R115, TRACK 3, FWD, TIC *4742.72 +/- 2	160	4	0	4,041,887:23:0	
1001	97	195	10:33:48.000	175TM422A6A	6DMSC R7.3	DMS Control	160	4	0	4,041,887:23:0	
1002	97	195	10:33:49.200		DMS: : *RUNUP	R7, TRACK 3, FWD, TIC *4743.72 +/- 2	160	4	0	4,041,887:24:8	
1003	97	195	10:33:50.600		DMS: : *AT_SPD	R7, TRACK 3, FWD, TIC 4743.84 +/- 2	160	4	0	4,041,887:26:9	
1004	97	195	10:33:50.600		DMS: : *RECORD	R7, TRACK 3, FWD, TIC *4743.84 +/- 2	160	4	0	4,041,887:26:9	
1005	97	195	10:33:50.666	175TM176A6A	6TMREC LPW	7.68 KBPS LOW RATE SCI PWS RECORD Record	160	4	0	4,041,887:27:0	
1006	97	195	10:34:28.666	125FT4B	37IST 1,2,0,OFF,0,1,1	Chopper ON, Sync, Chopper (Ref)Gain State	4R0	4	0	4,041,887:84:0	
1007	97	195	10:35:29.333	125FT11A	NIMSINIT GE	##### GROUP END INIT	4R0	4	0	4,041,888:84:0	
1008	97	195	10:35:29.333	125FT4C	37MB 1B,1B,0,0,0,0	Selects mirror (spatial) edit table	4R0	4	0	4,041,888:84:0	
1009	97	195	10:35:34.000	192IA4C	7CONE 17.4,153.0	Check S/P Position	4R0	4	0	4,041,889:00:0	
1010	97	195	10:35:34.666	192IA4D	7CLK 17.4,300.0	Check S/P Position	4R0	4	0	4,041,889:01:0	
1011	97	195	10:38:31.333	127FT4A	37IOP 3.0	Long Map, Grating Start Position =00	4R3	4	0	4,041,891:84:0	
1012	97	195	10:38:31.333	127FT	NIMSTAB GS	%%%%GROUP START TAB	4R3	4	0	4,041,891:84:0	
1013	97	195	10:38:32.000	127FT4B	37ETB 0A,CA,19,FF,C0,1	Loads wavelength edit table	4R3	4	0	4,041,891:85:0	
1014	97	195	10:38:40.000	127FT11A	NIMSTAB GE	%%%%GROUP END TAB	4R3	4	0	4,041,892:06:0	
1015	97	195	10:38:56.000	432EA6A	6RTSL2	NIMS R/T SELECT	4R3	4	0	4,041,892:30:0	
1016	97	195	10:40:56.000	432LU6A	6RTDS2	NIMDSL, AACNCG, RT	4R3	4	0	4,041,894:28:0	
1017	97	195	10:41:38.000	192EQ4A	7CONE 17.0,54.88	Check S/P Position	4R3	4	0	4,041,895:00:0	
1018	97	195	10:41:38.000	428JF6A	6RCCLR		4R3	4	0	4,041,895:00:0	
1019	97	195	10:41:38.666	192EQ4B	7CLK 17.0,244.07	Check S/P Position	4R3	4	0	4,041,895:01:0	
1020	97	195	10:45:00.000	432EC6A	6RTSL2	NIMSEL, AACNCG, RT	4R3	4	0	4,041,898:30:0	
1021	97	195	10:48:44.666	175TM422A6B	6DMSC RDY,0	DMS Control Tape stop	4R3	4	0	4,041,902:03:0	
1022	97	195	10:48:44.666	432OG431A6A	6RCDSL	DDSNGC, PLSNCG, EP	4R3	4	0	4,041,902:03:0	
1023	97	195	10:48:44.666		DMS: : *RUNDOWN	R7, TRACK 3, FWD, TIC *4953.39 +/- 2	4R3	4	0	4,041,902:03:0	
1024	97	195	10:48:45.333	432OG6A	6RTSL1	R/T Select of DDS and	4R3	4	0	4,041,902:04:0	
1025	97	195	10:48:45.866		DMS: : *READY	RDY, TRACK 3, FWD, TIC *4953.45 +/- 2	4R3	4	0	4,041,902:04:8	
1026	97	195	10:48:48.666	282ND431A6A	6RCDSL	DDSNGC, PLSDSL, EP	4R3	4	0	4,041,902:09:0	
1027	97	195	10:49:37.333	282ND432A431A6A	6RCDSL	DDSNGC, PLSDSL, EP	4R3	4	0	4,041,902:82:0	
1028	97	195	10:49:38.000	282ND432A6A	6RTSL1	R/T Select of DDS and	4R3	4	0	4,041,902:83:0	
1029	97	195	10:53:01.333	33B4A	37MPT	1,192,192 Modify Parameter Table (affects scanning m	4R3	4	0	4,041,906:24:0	
1030	97	195	10:55:05.333	432LS6A	6RTDS2	NIMDSL, AACNCG, RT	4R3	4	0	4,041,908:28:0	
1031	97	195	10:55:42.666	127FU	NIMSTAB GS	%%%%GROUP START TAB	4R3	4	0	4,041,908:84:0	
1032	97	195	10:55:42.666	127FU4A	37IOP 0,0	Safe, Grating Start Position =00	4R0	4	0	4,041,908:84:0	
1033	97	195	10:55:43.333	127FU4B	37ETB 04,C4,02,00,00	Loads wavelength edit table	4R0	4	0	4,041,908:85:0	
1034	97	195	10:55:51.333	127FU11A	NIMSTAB GE	%%%%GROUP END TAB	4R0	4	0	4,041,909:06:0	
1035	97	195	10:55:51.333	20FH4A	7SAFE UNSTOW	S/P TO 153 deg cone	4R0	4	0	4,041,909:06:0	
1036	97	195	10:57:44.000	125FV4A	37IST 1,0,0,OFF,0,0,0	Chopper ON, Sync, 63Hz (Ref)	460	4	0	4,041,910:84:0	
1037	97	195	10:57:44.000	125FV	NIMSINIT GS	##### GROUP START INIT	460	4	0	4,041,910:84:0	
1038	97	195	10:58:44.666	125FV4B	37IST 1,1,0,OFF,0,0,0	Chopper OFF, N/A, 63Hz (Ref)	400	4	0	4,041,911:84:0	
1039	97	195	10:59:45.333	125FV11A	NIMSINIT GE	##### GROUP END INIT	400	4	0	4,041,912:84:0	
1040	97	195	10:59:45.333	125FV4C	37MB 0,0,0,0,0,0	Selects mirror (spatial) edit table	400	4	0	4,041,912:84:0	
1041	97	195	11:28:49.333	C9NNPCTRLT01-	-----STOP-----		400	4	0	:	:
1042	97	195	11:32:11.333	192HE4A	7CONE 17.4,0.0	Check S/P Position	400	4	0	4,041,945:00:0	
1043	97	195	11:32:12.000	192HE4B	7CLK 17.4,226.5	Check S/P Position	400	4	0	4,041,945:01:0	

Line	YR	DOY	SCET - GMT	PSID	Command Parameters	Description	GCM	GO	GS	RIM	MFI
1044	97	195	11:36:58.000	176HE6A	6TMREC BPT	7.68 KBPS PPR BURST TO TAPE Record Mode C	400	4	0	4,041,949:66:0	
1045	97	195	11:40:00.000	176HE6B	6TMREC NRC	NO RECORD Record Mode Change	400	4	0	4,041,952:66:0	
1046	97	195	11:40:02.000		DMS: :E4-DELAY	RDY, TRACK *1, FWD, TIC 4953.45 +/- 2	400	4	0	4,041,952:69:0	
1047	97	195	11:40:02.000	50ZZ6XX	6DMSC R7,0	DMS Control Tape runup 7.68kps	400	4	0	4,041,952:69:0	
1048	97	195	11:40:08.666		DMS: :RUNUP	R7, TRACK *3, FWD, TIC 4953.45 +/- 2	400	4	0	4,041,952:79:0	
1049	97	195	11:40:10.066		DMS: :AT SPD	R7, TRACK 3, FWD, TIC *4953.57 +/- 2	400	4	0	4,041,952:81:1	
1050	97	195	11:40:12.000		DMS: :RECORD	R7, TRACK 3, FWD, TIC *4954.02 +/- 2	400	4	0	4,041,952:84:0	
1051	97	195	11:40:23.333		DMS: :RUNDOWN	R7, TRACK 3, FWD, TIC *4956.68 +/- 2	400	4	0	4,041,953:10:0	
1052	97	195	11:40:23.333	50ZZ6RD	6DMSC RDY,0	DMS Control Tape stop	400	4	0	4,041,953:10:0	
1053	97	195	11:40:24.533		DMS: :READY	RDY, TRACK 3, FWD, TIC *4956.74 +/- 2	400	4	0	4,041,953:11:8	
1054	97	195	11:42:18.000	192HB4A	7CONE 17.4,50.8	Check S/P Position	400	4	0	4,041,955:00:0	
1055	97	195	11:42:18.666	192HB4B	7CLK 17.4,226.5	Check S/P Position	400	4	0	4,041,955:01:0	
1056	97	195	11:43:18.666	176HB6A	6TMREC BPT	7.68 KBPS PPR BURST TO TAPE Record Mode C	400	4	0	4,041,956:00:0	
1057	97	195	11:44:20.000	192HB4C	7CLK 1.66,258.0	Check S/P Position	400	4	0	4,041,957:01:0	
1058	97	195	11:50:23.333	192HB4D	7CONE 17.4,55.0	Check S/P Position	400	4	0	4,041,963:00:0	
1059	97	195	11:50:24.000	192HB4E	7CLK 17.4,250.929998	Check S/P Position	400	4	0	4,041,963:01:0	
1060	97	195	11:51:24.000	192HB4F	7CONE 1.0,47.0	Check S/P Position	400	4	0	4,041,964:00:0	
1061	97	195	11:54:26.000	176HB6B	6TMREC NRC	NO RECORD Record Mode Change	400	4	0	4,041,967:00:0	
1062	97	195	11:54:28.000		DMS: :E4-DELAY	RDY, TRACK *1, FWD, TIC 4956.74 +/- 2	400	4	0	4,041,967:03:0	
1063	97	195	11:54:28.000	50ZZ6XX	6DMSC R7,0	DMS Control Tape runup 7.68kps	400	4	0	4,041,967:03:0	
1064	97	195	11:54:34.666		DMS: :RUNUP	R7, TRACK *3, FWD, TIC 4956.74 +/- 2	400	4	0	4,041,967:13:0	
1065	97	195	11:54:36.066		DMS: :AT SPD	R7, TRACK 3, FWD, TIC *4956.86 +/- 2	400	4	0	4,041,967:15:1	
1066	97	195	11:54:38.000		DMS: :RECORD	R7, TRACK 3, FWD, TIC *4957.31 +/- 2	400	4	0	4,041,967:18:0	
1067	97	195	11:54:55.333	50ZZ6RE	6DMSC RDY,0	DMS Control Tape stop	400	4	0	4,041,967:44:0	
1068	97	195	11:54:55.333		DMS: :RUNDOWN	R7, TRACK 3, FWD, TIC *4961.37 +/- 2	400	4	0	4,041,967:44:0	
1069	97	195	11:54:56.533		DMS: :READY	RDY, TRACK 3, FWD, TIC *4961.43 +/- 2	400	4	0	4,041,967:45:8	
1070	97	195	12:05:00.000	41SS99A	POWER	Change to Maneuver/Playback Mode	400	4	0	4,041,977:41:0	
1071	97	195	12:06:54.000	41SS3G	40T1P	1 PCT Heater 1 ON (primary relay)	400	4	0	4,041,979:30:0	
1072	97	195	12:07:04.000	41SS3H	40T1P	2 PCT Heater 1 ON (primary relay)	400	4	0	4,041,979:45:0	
1073	97	195	12:07:14.000	41SS3I	40T2	1 PCT Heater 2 ON	400	4	0	4,041,979:60:0	
1074	97	195	12:07:24.000	41SS3J	40T2	2 PCT Heater 2 ON	400	4	0	4,041,979:75:0	
1075	97	195	12:08:00.000	488BY6A	6TMSED NORM, AH6	Sci, Eng, and D/L Chan	400	4	0	4,041,980:38:0	
1076	97	195	12:11:00.000	444UF443A4A	7SAFE UNSTOW	S/P TO 153 deg cone	400	4	0	4,041,983:35:0	
1077	97	195	12:15:00.000	444UF443A4B	7MODE CRU	AACS CRUISE MODE	400	4	0	4,041,987:31:0	
1078	97	195	12:17:41.333	488BY6B	6TMSED NORM, AH5	Sci, Eng, and D/L Chan	400	4	0	4,041,990:00:0	
1079	97	195	12:40:12.666	488BY6C	6TMSED FILL, AH5	Sci, Eng, and D/L Chan	400	4	0	4,042,012:25:0	
1080	97	195	12:41:02.000	490UB412A4B	7MODE INT	AACS INERTIAL MODE	400	4	0	4,042,013:08:0	
1081	97	195	12:45:25.333	488BY6D	6TMSED FILL, AH8	Sci, Eng, and D/L Chan	400	4	0	4,042,017:39:0	
1082	97	195	12:46:00.000	490UB412A4D	7SAFE UNSTOW	S/P TO 153 deg cone	400	4	0	4,042,018:00:0	
1083	97	195	12:47:05.333	488BY6E	6TMSED NORM, AH8	Sci, Eng, and D/L Chan	400	4	0	4,042,019:07:0	
1084	97	195	12:50:10.000	490UB412A4E	7VECT RTH	Inert vect update UTC	400	4	0	4,042,022:11:0	
1085	97	195	12:50:14.000	490UB412A4F	7TURN 2,RTH	ALERT Thruster	400	4	0	4,042,022:17:0	
1086	97	195	12:54:02.000	490UB412A406A4A	7STAR 1,3000,95.710999	Star catalog update	400	4	0	4,042,025:86:0	
1087	97	195	12:54:04.000	490UB412A406A4B	7STAR 2,121,222.03	Star catalog update	400	4	0	4,042,025:89:0	
1088	97	195	12:54:06.000	490UB412A406A4C	7STAR 31,253,185.95	Star catalog update	400	4	0	4,042,026:01:0	
1089	97	195	12:54:08.000	490UB412A406A4D	7STAR 4,0,0,0,0,0	Star catalog update	400	4	0	4,042,026:04:0	
1090	97	195	12:54:10.000	490UB412A406A4E	7STAR 5,0,0,0,0,0	Star catalog update	400	4	0	4,042,026:07:0	
1091	97	195	12:54:12.000	490UB412A406A4F	7STAR 6,0,0,0,0,0	Star catalog update	400	4	0	4,042,026:10:0	
1092	97	195	14:02:12.666	490UB412A4L	7MODE CRU	AACS CRUISE MODE	400	4	0	4,042,093:34:0	
1093	97	195	14:10:59.333	432PA431A6A	6RCDSL DDSNCG,PLSNCG,EP	Record Deselect (DDS o	400	4	0	4,042,102:05:0	
1094	97	195	14:11:00.000	432PA6A	6RTSL1	R/T Select of DDS and	400	4	0	4,042,102:06:0	
1095	97	195	14:25:00.000	488BZ6A	6TMSED NORM, AL8	Sci, Eng, and D/L Chan	400	4	0	4,042,115:83:0	
1096	97	195	14:25:04.000	20UE4A	7SAFE STOP	S/P NO MOVEMENT	400	4	0	4,042,115:89:0	
1097	97	195	14:25:54.000	20UE4B	7SLEW DIS, POS, 0.0	Stator movement	400	4	0	4,042,116:73:0	
1098	97	195	14:27:06.666	176SM6A	6TMREC RPB	RESUME PLAYBACK (PB CONTROL) Record Mode	400	4	0	4,042,118:00:0	

Line	YR	DOY	SCET - GMT	PSID	Command	Parameters	Description	GCM	GO	GS	RIM	MFI
1099	97	195	14:30:00.000	488BZ6B	6TMSED	NORM,AL8	Sci, Eng, and D/L Chan	400	4	0	4,042,120:78:0	
1100	97	195	19:32:53.333	488BZ6C	6TMSED	NORM,AL7	Sci, Eng, and D/L Chan	400	4	0	4,042,420:38:0	
1101	97	195	20:47:33.333	488CA6A	6TMSED	NORM,AL6	Sci, Eng, and D/L Chan	400	4	0	4,042,494:24:0	
1102	97	195	21:17:25.333	488CA6B	6TMSED	NORM,AL4	Sci, Eng, and D/L Chan	400	4	0	4,042,523:73:0	
1103	97	195	21:36:37.333	488CA6C	6TMSED	NORM,AL5	Sci, Eng, and D/L Chan	400	4	0	4,042,542:72:0	
1104	97	195	22:21:25.333	488CA6D	6TMSED	NORM,AL6	Sci, Eng, and D/L Chan	400	4	0	4,042,587:09:0	
1105	97	196	04:39:01.333	488CB6A	6TMSED	NORM,AL5	Sci, Eng, and D/L Chan	400	4	0	4,042,960:50:0	
1106	97	196	05:15:17.333	488CB6B	6TMSED	NORM,AL6	Sci, Eng, and D/L Chan	400	4	0	4,042,996:38:0	
1107	97	196	13:02:29.333	488CC6A	6TMSED	NORM,AL5	Sci, Eng, and D/L Chan	400	4	0	4,043,458:44:0	
1108	97	196	13:34:33.333	488CC6B	6TMSED	FILL,AL5	Sci, Eng, and D/L Chan	400	4	0	4,043,490:18:0	
1109	97	196	13:43:40.666	488CC6C	6TMSED	NORM,AL5	Sci, Eng, and D/L Chan	400	4	0	4,043,499:20:0	
1110	97	196	13:50:36.666	488CC6D	6TMSED	FILL,AL5	Sci, Eng, and D/L Chan	400	4	0	4,043,506:07:0	
1111	97	196	13:55:49.333	488CC6E	6TMSED	FILL,AL8	Sci, Eng, and D/L Chan	400	4	0	4,043,511:21:0	
1112	97	196	13:57:29.333	488CD6A	6TMSED	NORM,AL8	Sci, Eng, and D/L Chan	400	4	0	4,043,512:80:0	
1113	97	196	19:32:53.266	488CD6B	6TMSED	NORM,AL7	Sci, Eng, and D/L Chan	400	4	0	4,043,844:54:0	
1114	97	196	20:43:17.266	488CE6A	6TMSED	NORM,AL6	Sci, Eng, and D/L Chan	400	4	0	4,043,914:20:0	
1115	97	196	21:17:25.266	488CE6B	6TMSED	NORM,AL4	Sci, Eng, and D/L Chan	400	4	0	4,043,947:89:0	
1116	97	196	21:51:33.266	488CE6C	6TMSED	NORM,AL5	Sci, Eng, and D/L Chan	400	4	0	4,043,981:67:0	
1117	97	196	22:39:19.266	488CE6D	6TMSED	FILL,AL5	Sci, Eng, and D/L Chan	400	4	0	4,044,028:89:0	
1118	97	196	23:08:25.933	488CE6E	6TMSED	NORM,AL5	Sci, Eng, and D/L Chan	400	4	0	4,044,057:70:0	
1119	97	197	00:01:41.266	488CF6A	6TMSED	NORM,AL6	Sci, Eng, and D/L Chan	400	4	0	4,044,110:40:0	
1120	97	197	03:13:41.266	488CF6B	6TMSED	NORM,AL5	Sci, Eng, and D/L Chan	400	4	0	4,044,300:30:0	
1121	97	197	05:11:01.266	488CF6C	6TMSED	NORM,AL6	Sci, Eng, and D/L Chan	400	4	0	4,044,416:34:0	
1122	97	197	05:55:41.933	488CF6D	6TMSED	FILL,AL6	Sci, Eng, and D/L Chan	400	4	0	4,044,460:51:0	
1123	97	197	06:22:31.266	488CG6A	6TMSED	NORM,AL6	Sci, Eng, and D/L Chan	400	4	0	4,044,487:08:0	
1124	97	197	12:58:13.266	488CH6A	6TMSED	NORM,AL5	Sci, Eng, and D/L Chan	400	4	0	4,044,878:40:0	
1125	97	197	13:34:35.266	488CH6B	6TMSED	FILL,AL5	Sci, Eng, and D/L Chan	400	4	0	4,044,914:37:0	
1126	97	197	13:43:42.600	488CH6C	6TMSED	NORM,AL5	Sci, Eng, and D/L Chan	400	4	0	4,044,923:39:0	
1127	97	197	13:50:36.600	488CH6D	6TMSED	FILL,AL5	Sci, Eng, and D/L Chan	400	4	0	4,044,930:23:0	
1128	97	197	13:55:49.266	488CH6E	6TMSED	FILL,AL8	Sci, Eng, and D/L Chan	400	4	0	4,044,935:37:0	
1129	97	197	13:57:29.266	488CI6A	6TMSED	NORM,AL8	Sci, Eng, and D/L Chan	400	4	0	4,044,937:05:0	
1130	97	197	19:28:37.266	488CI6B	6TMSED	NORM,AL7	Sci, Eng, and D/L Chan	400	4	0	4,045,264:50:0	
1131	97	197	20:39:01.266	488CJ6A	6TMSED	NORM,AL6	Sci, Eng, and D/L Chan	400	4	0	4,045,334:16:0	
1132	97	197	21:13:09.266	488CJ6B	6TMSED	NORM,AL4	Sci, Eng, and D/L Chan	400	4	0	4,045,367:85:0	
1133	97	197	21:30:13.266	488CJ6C	6TMSED	NORM,AL5	Sci, Eng, and D/L Chan	400	4	0	4,045,384:74:0	
1134	97	197	22:17:09.200	488CJ6D	6TMSED	NORM,AL6	Sci, Eng, and D/L Chan	400	4	0	4,045,431:21:0	
1135	97	198	04:28:21.200	488CK6A	6TMSED	NORM,AL5	Sci, Eng, and D/L Chan	400	4	0	4,045,798:32:0	
1136	97	198	05:06:45.200	488CK6B	6TMSED	NORM,AL6	Sci, Eng, and D/L Chan	400	4	0	4,045,836:30:0	
1137	97	198	12:53:57.200	488CL6A	6TMSED	NORM,AL5	Sci, Eng, and D/L Chan	400	4	0	4,046,298:36:0	
1138	97	198	13:29:38.533	488CL6B	6TMSED	FILL,AL5	Sci, Eng, and D/L Chan	400	4	0	4,046,333:63:0	
1139	97	198	13:38:45.866	488CL6C	6TMSED	NORM,AL5	Sci, Eng, and D/L Chan	400	4	0	4,046,342:65:0	
1140	97	198	13:46:20.533	488CL6D	6TMSED	FILL,AL5	Sci, Eng, and D/L Chan	400	4	0	4,046,350:19:0	
1141	97	198	13:51:33.200	488CL6E	6TMSED	FILL,AL8	Sci, Eng, and D/L Chan	400	4	0	4,046,355:33:0	
1142	97	198	13:53:13.200	488CM6A	6TMSED	NORM,AL8	Sci, Eng, and D/L Chan	400	4	0	4,046,357:01:0	
1143	97	198	19:24:21.200	488CM6B	6TMSED	NORM,AL7	Sci, Eng, and D/L Chan	400	4	0	4,046,684:46:0	
1144	97	198	20:32:37.200	488CN6A	6TMSED	NORM,AL6	Sci, Eng, and D/L Chan	400	4	0	4,046,752:02:0	
1145	97	198	21:08:53.200	488CN6B	6TMSED	NORM,AL4	Sci, Eng, and D/L Chan	400	4	0	4,046,787:81:0	
1146	97	198	21:25:57.200	488CN6C	6TMSED	NORM,AL5	Sci, Eng, and D/L Chan	400	4	0	4,046,804:70:0	
1147	97	198	22:17:09.200	488CN6D	6TMSED	NORM,AL6	Sci, Eng, and D/L Chan	400	4	0	4,046,855:37:0	
1148	97	199	04:39:01.133	488CO6A	6TMSED	NORM,AL4	Sci, Eng, and D/L Chan	400	4	0	4,047,233:07:0	
1149	97	199	04:56:05.133	488CO6B	6TMSED	NORM,AL5	Sci, Eng, and D/L Chan	400	4	0	4,047,249:87:0	
1150	97	199	05:44:12.466	488CO6C	6TMSED	FILL,AL5	Sci, Eng, and D/L Chan	400	4	0	4,047,297:50:0	
1151	97	199	06:06:29.133	488CO6D	6TMSED	FILL,AL6	Sci, Eng, and D/L Chan	400	4	0	4,047,319:53:0	
1152	97	199	06:11:41.133	488CO6E	6TMSED	NORM,AL6	Sci, Eng, and D/L Chan	400	4	0	4,047,324:66:0	
1153	97	199	11:47:49.133	488CP6A	6TMSED	NORM,AL5	Sci, Eng, and D/L Chan	400	4	0	4,047,657:15:0	

Line	YR	DOY	SCET - GMT	PSID	Command	Parameters	Description	GCM	GO	GS	RIM	MFI
1154	97	199	13:08:53.133	488CP6B	6TMSED	NORM,AL4	Sci, Eng, and D/L Chan	400	4	0	4,047,737:31:0	
1155	97	199	13:21:55.133	488CP6C	6TMSED	FILL,AL4	Sci, Eng, and D/L Chan	400	4	0	4,047,750:21:0	
1156	97	199	13:35:35.133	488CP6D	6TMSED	NORM,AL4	Sci, Eng, and D/L Chan	400	4	0	4,047,763:68:0	
1157	97	199	13:39:18.466	488CP6E	6TMSED	FILL,AL4	Sci, Eng, and D/L Chan	400	4	0	4,047,767:39:0	
1158	97	199	13:47:17.133	488CQ6A	6TMSED	FILL,AL8	Sci, Eng, and D/L Chan	400	4	0	4,047,775:29:0	
1159	97	199	13:48:57.133	488CQ6B	6TMSED	NORM,AL8	Sci, Eng, and D/L Chan	400	4	0	4,047,776:88:0	
1160	97	199	14:12:40.466	488CQ6C	6TMSED	FILL,AL8	Sci, Eng, and D/L Chan	400	4	0	4,047,800:39:0	
1161	97	199	14:36:05.133	488CQ6D	6TMSED	NORM,AL8	Sci, Eng, and D/L Chan	400	4	0	4,047,823:53:0	
1162	97	199	19:24:21.133	488CQ6E	6TMSED	NORM,AL7	Sci, Eng, and D/L Chan	400	4	0	4,048,108:62:0	
1163	97	199	20:28:21.133	488CR6A	6TMSED	NORM,AL6	Sci, Eng, and D/L Chan	400	4	0	4,048,171:89:0	
1164	97	199	21:02:29.133	488CR6B	6TMSED	NORM,AL4	Sci, Eng, and D/L Chan	400	4	0	4,048,205:67:0	
1165	97	199	21:21:41.133	488CR6C	6TMSED	NORM,AL5	Sci, Eng, and D/L Chan	400	4	0	4,048,224:66:0	
1166	97	199	22:17:09.133	488CR6D	6TMSED	NORM,AL6	Sci, Eng, and D/L Chan	400	4	0	4,048,279:53:0	
1167	97	200	04:24:05.133	488CS6A	6TMSED	NORM,AL5	Sci, Eng, and D/L Chan	400	4	0	4,048,642:44:0	
1168	97	200	05:06:45.133	488CS6B	6TMSED	NORM,AL6	Sci, Eng, and D/L Chan	400	4	0	4,048,684:62:0	
1169	97	200	09:23:11.800	488CS6C	6TMSED	FILL,AL6	Sci, Eng, and D/L Chan	400	4	0	4,048,938:28:0	
1170	97	200	09:27:01.133	488CS6D	6TMSED	FILL,AL8	Sci, Eng, and D/L Chan	400	4	0	4,048,942:08:0	
1171	97	200	09:28:41.133	488CS6E	6TMSED	NORM,AL8	Sci, Eng, and D/L Chan	400	4	0	4,048,943:67:0	
1172	97	200	19:13:41.066	488CT6A	6TMSED	NORM,AL7	Sci, Eng, and D/L Chan	400	4	0	4,049,522:28:0	
1173	97	200	20:24:05.066	488CT6B	6TMSED	NORM,AL6	Sci, Eng, and D/L Chan	400	4	0	4,049,591:85:0	
1174	97	200	20:58:13.066	488CT6C	6TMSED	NORM,AL4	Sci, Eng, and D/L Chan	400	4	0	4,049,625:63:0	
1175	97	200	21:17:25.066	488CT6D	6TMSED	NORM,AL5	Sci, Eng, and D/L Chan	400	4	0	4,049,644:62:0	
1176	97	200	22:17:09.066	488CT6E	6TMSED	NORM,AL6	Sci, Eng, and D/L Chan	400	4	0	4,049,703:69:0	
1177	97	201	02:46:21.066	176BG6A	6TMREC	PPB	PAUSE PLAYBACK (PB CONTROL) Record Mode C	400	4	0	4,049,970:00:0	
1178	97	201	02:49:22.400	165BO4A	7SCAN	NORM,3:17.743999,	Check S/P Position	400	4	0	4,049,972:90:0	
1179	97	201	02:53:31.066	20UJ4A	7SAFE	STOP	S/P NO MOVEMENT	400	4	0	4,049,977:08:0	
1180	97	201	02:54:21.066	20UJ4B	7SLEW	DIS,POS,0.0	Stator movement	400	4	0	4,049,977:83:0	
1181	97	201	02:55:27.066	176BH6A	6TMREC	RPB	RESUME PLAYBACK (PB CONTROL) Record Mode	400	4	0	4,049,979:00:0	
1182	97	201	04:17:41.066	488CU6A	6TMSED	NORM,AL5	Sci, Eng, and D/L Chan	400	4	0	4,050,060:30:0	
1183	97	201	05:00:21.066	488CU6B	6TMSED	NORM,AL6	Sci, Eng, and D/L Chan	400	4	0	4,050,102:48:0	
1184	97	201	09:16:47.733	488CU6C	6TMSED	FILL,AL6	Sci, Eng, and D/L Chan	400	4	0	4,050,356:14:0	
1185	97	201	09:20:37.066	488CU6D	6TMSED	FILL,AL8	Sci, Eng, and D/L Chan	400	4	0	4,050,359:85:0	
1186	97	201	09:22:17.066	488CU6E	6TMSED	NORM,AL8	Sci, Eng, and D/L Chan	400	4	0	4,050,361:53:0	
1187	97	201	19:13:41.000	488CV6A	6TMSED	NORM,AL7	Sci, Eng, and D/L Chan	400	4	0	4,050,946:44:0	
1188	97	201	20:13:25.000	488CV6B	6TMSED	NORM,AL6	Sci, Eng, and D/L Chan	400	4	0	4,051,005:51:0	
1189	97	201	20:53:57.000	488CV6C	6TMSED	NORM,AL4	Sci, Eng, and D/L Chan	400	4	0	4,051,045:59:0	
1190	97	201	21:11:01.000	488CV6D	6TMSED	NORM,AL5	Sci, Eng, and D/L Chan	400	4	0	4,051,062:48:0	
1191	97	201	22:17:09.000	488CV6E	6TMSED	NORM,AL6	Sci, Eng, and D/L Chan	400	4	0	4,051,127:85:0	
1192	97	202	04:09:09.000	488CW6A	6TMSED	NORM,AL4	Sci, Eng, and D/L Chan	400	4	0	4,051,476:06:0	
1193	97	202	04:36:53.000	488CW6B	6TMSED	NORM,AL5	Sci, Eng, and D/L Chan	400	4	0	4,051,503:45:0	
1194	97	202	05:34:05.666	488CW6C	6TMSED	FILL,AL5	Sci, Eng, and D/L Chan	400	4	0	4,051,560:07:0	
1195	97	202	06:03:11.666	488CW6D	6TMSED	NORM,AL5	Sci, Eng, and D/L Chan	400	4	0	4,051,588:78:0	
1196	97	202	06:17:09.000	488CW6E	6TMSED	NORM,AL6	Sci, Eng, and D/L Chan	400	4	0	4,051,602:60:0	
1197	97	202	09:16:47.666	488CX6A	6TMSED	FILL,AL6	Sci, Eng, and D/L Chan	400	4	0	4,051,780:30:0	
1198	97	202	09:20:37.000	488CX6B	6TMSED	FILL,AL8	Sci, Eng, and D/L Chan	400	4	0	4,051,784:10:0	
1199	97	202	09:22:17.000	488CX6C	6TMSED	NORM,AL8	Sci, Eng, and D/L Chan	400	4	0	4,051,785:69:0	
1200	97	202	14:02:32.333	488CX6D	6TMSED	FILL,AL8	Sci, Eng, and D/L Chan	400	4	0	4,052,062:85:0	
1201	97	202	14:25:57.000	488CX6E	6TMSED	NORM,AL8	Sci, Eng, and D/L Chan	400	4	0	4,052,086:08:0	
1202	97	202	19:09:25.000	488CY6A	6TMSED	NORM,AL7	Sci, Eng, and D/L Chan	400	4	0	4,052,366:40:0	
1203	97	202	20:02:45.000	488CY6B	6TMSED	NORM,AL6	Sci, Eng, and D/L Chan	400	4	0	4,052,419:17:0	
1204	97	202	20:53:57.000	488CY6C	6TMSED	NORM,AL4	Sci, Eng, and D/L Chan	400	4	0	4,052,469:75:0	
1205	97	202	21:11:01.000	488CY6D	6TMSED	NORM,AL5	Sci, Eng, and D/L Chan	400	4	0	4,052,486:64:0	
1206	97	202	22:21:25.000	488CY6E	6TMSED	NORM,AL6	Sci, Eng, and D/L Chan	400	4	0	4,052,556:30:0	
1207	97	203	03:58:28.933	488CZ6A	6TMSED	NORM,AL5	Sci, Eng, and D/L Chan	400	4	0	4,052,889:63:0	
1208	97	203	05:02:28.933	488CZ6B	6TMSED	NORM,AL6	Sci, Eng, and D/L Chan	400	4	0	4,052,952:90:0	

Line	YR	DOY	SCET - GMT	PSID	Command	Parameters	Description	GCM	GO	GS	RIM	MFI
1209	97	203	09:12:31.600	488CZ6C	6TMSED	FILL,AL6	Sci, Eng, and D/L Chan	400	4	0	4,053,200:26:0	
1210	97	203	09:16:20.933	488CZ6D	6TMSED	FILL,AL8	Sci, Eng, and D/L Chan	400	4	0	4,053,204:06:0	
1211	97	203	09:18:00.933	488CZ6E	6TMSED	NORM,AL8	Sci, Eng, and D/L Chan	400	4	0	4,053,205:65:0	
1212	97	203	19:03:00.933	488DA6A	6TMSED	NORM,AL7	Sci, Eng, and D/L Chan	400	4	0	4,053,784:26:0	
1213	97	203	19:58:28.933	488DA6B	6TMSED	NORM,AL6	Sci, Eng, and D/L Chan	400	4	0	4,053,839:13:0	
1214	97	203	20:49:40.933	488DA6C	6TMSED	NORM,AL4	Sci, Eng, and D/L Chan	400	4	0	4,053,889:71:0	
1215	97	203	21:11:00.933	488DA6D	6TMSED	NORM,AL5	Sci, Eng, and D/L Chan	400	4	0	4,053,910:80:0	
1216	97	203	22:25:40.933	488DA6E	6TMSED	NORM,AL6	Sci, Eng, and D/L Chan	400	4	0	4,053,984:66:0	
1217	97	204	03:43:32.933	488DB6A	6TMSED	NORM,AL5	Sci, Eng, and D/L Chan	400	4	0	4,054,299:09:0	
1218	97	204	04:15:00.266	488DB6B	6TMSED	NORM,EL5	Sci, Eng, and D/L Chan	400	4	0	4,054,330:19:0	
1219	97	204	04:17:49.600	176KC6A	6TMREC	PPB	PAUSE PLAYBACK (PB CONTROL) Record Mode C	400	4	0	4,054,333:00:0	
1220	97	204	04:19:50.933	465KS6A	6DMST		5105 DMS Slew to TIC	400	4	0	4,054,335:00:0	
1221	97	204	04:19:50.933		DMS:	:*E4-DELAY	RDY, TRACK 1, FWD, TIC 4961.43 +/- 2	400	4	0	4,054,335:00:0	
1222	97	204	04:19:50.933		DMS:	:*SLEW-TIC	P7, TRACK *1, FWD, TIC 4961.43 +/- 2	400	4	0	4,054,335:00:0	
1223	97	204	04:19:57.600		DMS:	:*RUNUP	P7, TRACK 1, FWD, TIC 4961.43 +/- 2	400	4	0	4,054,335:10:0	
1224	97	204	04:19:59.000		DMS:	:*AT SPD	P7, TRACK 1, FWD, TIC *4961.55 +/- 2	400	4	0	4,054,335:12:1	
1225	97	204	04:30:01.066		DMS:	:*RUNDOWN	P7, TRACK 1, FWD, TIC *5102.94 +/- 2	400	4	0	4,054,345:05:2	
1226	97	204	04:30:02.266		DMS:	:*READY	RDY, TRACK 1, FWD, TIC *5103.00 +/- 2	400	4	0	4,054,345:07:0	
1227	97	204	05:06:44.933	488DB6C	6TMSED	NORM,EL6	Sci, Eng, and D/L Chan	400	4	0	4,054,381:35:0	
1228	97	204	08:45:00.200	488DB6D	6TMSED	NORM,IL6	Sci, Eng, and D/L Chan	400	4	0	4,054,597:22:0	
1229	97	204	08:45:00.866	282NX432A431A6A	6RCDSL	DDSNCG,PLSDSL,EP	Record Deselect (DDS o	400	4	0	4,054,597:23:0	
1230	97	204	08:45:01.533	282NX432A6A	6RTSL1		R/T Select of DDS and	400	4	0	4,054,597:24:0	
1231	97	204	09:08:15.533	488DB6E	6TMSED	FILL,IL6	Sci, Eng, and D/L Chan	400	4	0	4,054,620:22:0	
1232	97	204	09:12:04.866	488DC6A	6TMSED	FILL,IL8	Sci, Eng, and D/L Chan	400	4	0	4,054,624:02:0	
1233	97	204	09:13:44.866	488DC6B	6TMSED	NORM,IL8	Sci, Eng, and D/L Chan	400	4	0	4,054,625:61:0	
1234	97	204	10:06:00.200	444JG443A4B	7MODE	INT	AACS INERTIAL MODE	400	4	0	4,054,677:32:0	
1235	97	204	10:39:00.866	465KT6A	6DMSC	RDY,3	DMS Control Tape stop	400	4	0	4,054,710:00:0	
1236	97	204	10:39:00.866		DMS:	:*READY	RDY, TRACK *3, FWD, TIC 5103.00 +/- 2	400	4	0	4,054,710:00:0	
1237	97	204	10:45:00.200	41SC99A	POWER	PWR MODE change	Change to Data Taking Mode	400	4	0	4,054,715:84:0	
1238	97	204	10:45:04.200	41SC3A	40T1PR		1 PCT Heater 1 OFF (primary relay)	400	4	0	4,054,715:90:0	
1239	97	204	10:45:14.200	41SC3B	40T1PR		2 PCT Heater 1 OFF (primary relay)	400	4	0	4,054,716:14:0	
1240	97	204	10:45:24.200	41SC3C	40T2R		1 PCT Heater 2 OFF	400	4	0	4,054,716:29:0	
1241	97	204	10:45:34.200	41SC3D	40T2R		2 PCT Heater 2 OFF	400	4	0	4,054,716:44:0	
1242	97	204	10:59:10.866	175JO422A6A	6DMSC	R115.3	DMS Control	400	4	0	4,054,729:86:0	
1243	97	204	10:59:10.866		DMS:	:*E4-DELAY	RDY, TRACK *1, FWD, TIC 5103.00 +/- 2	400	4	0	4,054,729:86:0	
1244	97	204	10:59:17.533		DMS:	:*RUNUP	R115, TRACK *3, FWD, TIC 5103.00 +/- 2	400	4	0	4,054,730:05:0	
1245	97	204	10:59:20.866	175JO176A6A	6TMREC	HIM	115.2 KBPS SSI + NIMS RECORD Record Mode	400	4	0	4,054,730:10:0	
1246	97	204	10:59:21.533		DMS:	:*AT SPD	R115, TRACK 3, FWD, TIC 5109.30 +/- 2	400	4	0	4,054,730:11:0	
1247	97	204	10:59:21.533		DMS:	:*RECORD	R115, TRACK 3, FWD, TIC *5109.30 +/- 2	400	4	0	4,054,730:11:0	
1248	97	204	11:00:14.866		DMS:	:*RUNDOWN	R115, TRACK 3, FWD, TIC *5296.80 +/- 2	400	4	0	4,054,731:00:0	
1249	97	204	11:00:14.866	175JO422A6B	6DMSC	RDY,0	DMS Control Tape stop	400	4	0	4,054,731:00:0	
1250	97	204	11:00:16.066		DMS:	:*READY	RDY, TRACK 3, FWD, TIC *5297.80 +/- 2	400	4	0	4,054,731:01:8	
1251	97	204	11:01:12.200	175JP422A6A	6DMSC	R115.3	DMS Control	400	4	0	4,054,731:86:0	
1252	97	204	11:01:12.200		DMS:	:*E4-DELAY	RDY, TRACK *1, FWD, TIC 5297.80 +/- 2	400	4	0	4,054,731:86:0	
1253	97	204	11:01:18.866		DMS:	:*RUNUP	R115, TRACK *3, FWD, TIC 5297.80 +/- 2	400	4	0	4,054,732:05:0	
1254	97	204	11:01:22.200	175JP176A6A	6TMREC	HIM	115.2 KBPS SSI + NIMS RECORD Record Mode	400	4	0	4,054,732:10:0	
1255	97	204	11:01:22.866		DMS:	:*AT SPD	R115, TRACK 3, FWD, TIC 5304.10 +/- 2	400	4	0	4,054,732:11:0	
1256	97	204	11:01:22.866		DMS:	:*RECORD	R115, TRACK 3, FWD, TIC *5304.10 +/- 2	400	4	0	4,054,732:11:0	
1257	97	204	11:02:16.200		DMS:	:*RUNDOWN	R115, TRACK 3, FWD, TIC *5491.60 +/- 2	400	4	0	4,054,733:00:0	
1258	97	204	11:02:16.200	175JP422A6B	6DMSC	RDY,0	DMS Control Tape stop	400	4	0	4,054,733:00:0	
1259	97	204	11:02:17.400		DMS:	:*READY	RDY, TRACK 3, FWD, TIC *5492.60 +/- 2	400	4	0	4,054,733:01:8	
1260	97	204	11:03:13.533	175JQ422A6A	6DMSC	R115.3	DMS Control	400	4	0	4,054,733:86:0	
1261	97	204	11:03:13.533		DMS:	:*E4-DELAY	RDY, TRACK *1, FWD, TIC 5492.60 +/- 2	400	4	0	4,054,733:86:0	
1262	97	204	11:03:20.200		DMS:	:*RUNUP	R115, TRACK *3, FWD, TIC 5492.60 +/- 2	400	4	0	4,054,734:05:0	
1263	97	204	11:03:23.533	175JQ176A6A	6TMREC	HIM	115.2 KBPS SSI + NIMS RECORD Record Mode	400	4	0	4,054,734:10:0	

Line	YR	DOY	SCET - GMT	PSID	Command	Parameters	Description	GCM	GO	GS	RIM	MFI
1264	97	204	11:03:24.200		DMS:	:*RECORD	R115, TRACK 3, FWD, TIC *5498.90 +/- 2	400	4	0	4,054,734:11:0	
1265	97	204	11:03:24.200		DMS:	:*AT SPD	R115, TRACK 3, FWD, TIC 5498.90 +/- 2	400	4	0	4,054,734:11:0	
1266	97	204	11:04:17.533		DMS:	:*RUNDOWN	R115, TRACK 3, FWD, TIC *5686.40 +/- 2	400	4	0	4,054,735:00:0	
1267	97	204	11:04:17.533	175JQ422A6B	6DMSC	RDY,0	DMS Control Tape stop	400	4	0	4,054,735:00:0	
1268	97	204	11:04:18.733		DMS:	:*E4-DELAY	RDY, TRACK 3, FWD, TIC *5687.40 +/- 2	400	4	0	4,054,735:01:8	
1269	97	204	11:04:23.533		DMS:	:*E4-DELAY	RDY, TRACK *1, FWD, TIC 5687.40 +/- 2	400	4	0	4,054,735:09:0	
1270	97	204	11:04:23.533	175JX422A6A	6DMSC	R115:3	DMS Control	400	4	0	4,054,735:09:0	
1271	97	204	11:04:30.200		DMS:	:*RUNUP	R115, TRACK *3, FWD, TIC 5687.40 +/- 2	400	4	0	4,054,735:19:0	
1272	97	204	11:04:33.533	175JX176A6A	6TMREC	HIS	115.2 KBPS SSI + NIMS RECORD Record Mode	400	4	0	4,054,735:24:0	
1273	97	204	11:04:34.200		DMS:	:*AT SPD	R115, TRACK 3, FWD, TIC 5693.70 +/- 2	400	4	0	4,054,735:25:0	
1274	97	204	11:04:34.200		DMS:	:*RECORD	R115, TRACK 3, FWD, TIC *5693.70 +/- 2	400	4	0	4,054,735:25:0	
1275	97	204	11:04:48.200		DMS:	:*RUNDOWN	R115, TRACK 3, FWD, TIC *5742.92 +/- 2	400	4	0	4,054,735:46:0	
1276	97	204	11:04:48.200	175JX422A6B	6DMSC	RDY,0	DMS Control Tape stop	400	4	0	4,054,735:46:0	
1277	97	204	11:04:49.400		DMS:	:*READY	RDY, TRACK 3, FWD, TIC *5743.92 +/- 2	400	4	0	4,054,735:47:8	
1278	97	204	11:04:54.200	175JY422A6A	6DMSC	R115:3	DMS Control	400	4	0	4,054,735:55:0	
1279	97	204	11:04:54.200		DMS:	:*E4-DELAY	RDY, TRACK *1, FWD, TIC 5743.92 +/- 2	400	4	0	4,054,735:55:0	
1280	97	204	11:05:00.866		DMS:	:*RUNUP	R115, TRACK *3, FWD, TIC 5743.92 +/- 2	400	4	0	4,054,735:65:0	
1281	97	204	11:05:04.200	175JY176A6A	6TMREC	HIS	115.2 KBPS SSI + NIMS RECORD Record Mode	400	4	0	4,054,735:70:0	
1282	97	204	11:05:04.866		DMS:	:*RECORD	R115, TRACK 3, FWD, TIC *5750.22 +/- 2	400	4	0	4,054,735:71:0	
1283	97	204	11:05:04.866		DMS:	:*AT SPD	R115, TRACK 3, FWD, TIC 5750.22 +/- 2	400	4	0	4,054,735:71:0	
1284	97	204	11:05:18.200		DMS:	:*RUNDOWN	R115, TRACK 3, FWD, TIC *5797.09 +/- 2	400	4	0	4,054,736:00:0	
1285	97	204	11:05:18.200	175JY422A6B	6DMSC	RDY,0	DMS Control Tape stop	400	4	0	4,054,736:00:0	
1286	97	204	11:05:19.400		DMS:	:*READY	RDY, TRACK 3, FWD, TIC *5798.09 +/- 2	400	4	0	4,054,736:01:8	
1287	97	204	11:05:24.200	175JZ422A6A	6DMSC	R115:3	DMS Control	400	4	0	4,054,736:09:0	
1288	97	204	11:05:24.200		DMS:	:*E4-DELAY	RDY, TRACK *1, FWD, TIC 5798.09 +/- 2	400	4	0	4,054,736:09:0	
1289	97	204	11:05:30.866		DMS:	:*RUNUP	R115, TRACK *3, FWD, TIC 5798.09 +/- 2	400	4	0	4,054,736:19:0	
1290	97	204	11:05:34.200	175JZ176A6A	6TMREC	HIS	115.2 KBPS SSI + NIMS RECORD Record Mode	400	4	0	4,054,736:24:0	
1291	97	204	11:05:34.866		DMS:	:*AT SPD	R115, TRACK 3, FWD, TIC 5804.39 +/- 2	400	4	0	4,054,736:25:0	
1292	97	204	11:05:34.866		DMS:	:*RECORD	R115, TRACK 3, FWD, TIC *5804.39 +/- 2	400	4	0	4,054,736:25:0	
1293	97	204	11:05:48.866	175JZ422A6B	6DMSC	RDY,0	DMS Control Tape stop	400	4	0	4,054,736:46:0	
1294	97	204	11:05:48.866		DMS:	:*RUNDOWN	R115, TRACK 3, FWD, TIC *5853.61 +/- 2	400	4	0	4,054,736:46:0	
1295	97	204	11:05:50.066		DMS:	:*READY	RDY, TRACK 3, FWD, TIC *5854.61 +/- 2	400	4	0	4,054,736:47:8	
1296	97	204	11:05:54.866	175KA422A6A	6DMSC	R115:3	DMS Control	400	4	0	4,054,736:55:0	
1297	97	204	11:05:54.866		DMS:	:*E4-DELAY	RDY, TRACK *1, FWD, TIC 5854.61 +/- 2	400	4	0	4,054,736:55:0	
1298	97	204	11:06:01.533		DMS:	:*RUNUP	R115, TRACK *3, FWD, TIC 5854.61 +/- 2	400	4	0	4,054,736:65:0	
1299	97	204	11:06:04.866	175KA176A6A	6TMREC	HIS	115.2 KBPS SSI + NIMS RECORD Record Mode	400	4	0	4,054,736:70:0	
1300	97	204	11:06:05.533		DMS:	:*RECORD	R115, TRACK 3, FWD, TIC *5860.91 +/- 2	400	4	0	4,054,736:71:0	
1301	97	204	11:06:05.533		DMS:	:*AT SPD	R115, TRACK 3, FWD, TIC 5860.91 +/- 2	400	4	0	4,054,736:71:0	
1302	97	204	11:06:18.866		DMS:	:*RUNDOWN	R115, TRACK 3, FWD, TIC *5907.79 +/- 2	400	4	0	4,054,737:00:0	
1303	97	204	11:06:18.866	175KA422A6B	6DMSC	RDY,0	DMS Control Tape stop	400	4	0	4,054,737:00:0	
1304	97	204	11:06:20.066		DMS:	:*READY	RDY, TRACK 3, FWD, TIC *5908.79 +/- 2	400	4	0	4,054,737:01:8	
1305	97	204	11:07:05.533	465LD6A	6DMSC	RDY,3	DMS Control Tape stop	400	4	0	4,054,737:70:0	
1306	97	204	11:11:15.533		DMS:	:*E4-DELAY	RDY, TRACK *1, FWD, TIC 5908.79 +/- 2	400	4	0	4,054,741:81:0	
1307	97	204	11:11:15.533		DMS:	:*DMS-TURN	P7, TRACK 3, FWD, TIC 5908.79 +/- 2	400	4	0	4,054,741:81:0	
1308	97	204	11:11:15.533	465KU6A	6DTRN	CMD,6DTRN,465KU6	DMS TRACK TURNAROUND	400	4	0	4,054,741:81:0	
1309	97	204	11:11:22.200		DMS:	:*RUNUP	P7, TRACK *3, FWD, TIC 5908.79 +/- 2	400	4	0	4,054,742:02:0	
1310	97	204	11:11:23.600		DMS:	:*AT SPD	P7, TRACK 3, FWD, TIC *5908.91 +/- 2	400	4	0	4,054,742:02:0	
1311	97	204	11:19:50.066		DMS:	:*REVERSE	P7, TRACK 3, FWD, TIC *6027.63 +/- 2	400	4	0	4,054,750:33:8	
1312	97	204	11:19:51.266		DMS:	:*RUNUP	P7, TRACK 4, REV, TIC 6027.69 +/- 2	400	4	0	4,054,750:35:6	
1313	97	204	11:19:51.266		DMS:	:*TURNARND	P7, TRACK *4, *REV, TIC *6027.69 +/- 2	400	4	0	4,054,750:35:6	
1314	97	204	11:19:52.666		DMS:	:*AT SPD	P7, TRACK 4, REV, TIC *6027.57 +/-	400	4	0	4,054,750:37:7	
1315	97	204	11:20:04.666		DMS:	:*AUTOSTOP	P7, TRACK 4, REV, TIC *6025.44 +/-	400	4	0	4,054,750:55:7	
1316	97	204	11:20:05.866		DMS:	:*READY	RDY, TRACK 4, REV, TIC *6025.38 +/-	400	4	0	4,054,750:57:5	
1317	97	204	11:30:24.200	175KB422A6A	6DMSC	R806.4	DMS Control	400	4	0	4,054,760:75:0	
1318	97	204	11:30:24.200		DMS:	:*US-RUNUP	P7, TRACK *1, *FWD, TIC 6025.38 +/-	400	4	0	4,054,760:75:0	

Line	YR	DOY	SCET - GMT	PSID	Command Parameters	Description	GCM	GO	GS	RIM	MFI
1319	97	204	11:30:25.600		DMS: : *US_AT_SP	P7, TRACK 1, FWD, TIC *6025.50 +/-	400	4	0	4,054,760:77:1	
1320	97	204	11:30:30.866		DMS: : *US_RD	P7, TRACK 1, FWD, TIC *6026.73 +/-	400	4	0	4,054,760:85:0	
1321	97	204	11:30:32.066		DMS: : *RUNUP	R806, TRACK *4, *REV, TIC *6026.79 +/-	400	4	0	4,054,760:86:8	
1322	97	204	11:30:36.866	175KB176A6A	6TMREC A18	806.4 KBPS SSI RECORD Record Mode Change	400	4	0	4,054,761:03:0	
1323	97	204	11:30:37.333		DMS: : *AT_SPD	R806, TRACK 4, REV, TIC *5960.79 +/-	400	4	0	4,054,761:03:7	
1324	97	204	11:30:37.333		DMS: : *RECORD	R806, TRACK 4, REV, TIC *5960.79 +/-	400	4	0	4,054,761:03:7	
1325	97	204	11:30:53.533	175KB422A6B	6DMSC RDY,0	DMS Control Tape stop	400	4	0	4,054,761:28:0	
1326	97	204	11:30:53.533		DMS: : *RUNDOWN	R806, TRACK 4, REV, TIC *5562.12 +/-	400	4	0	4,054,761:28:0	
1327	97	204	11:30:56.266		DMS: : *READY	RDY, TRACK 4, REV, TIC *5550.62 +/-	400	4	0	4,054,761:32:1	
1328	97	204	11:35:35.533	175JR422A6A	6DMSC R806.4	DMS Control	400	4	0	4,054,765:87:0	
1329	97	204	11:35:35.533		DMS: : *US-RUNUP	P7, TRACK *1, *FWD, TIC *5550.62 +/-	400	4	0	4,054,765:87:0	
1330	97	204	11:35:36.933		DMS: : *US_AT_SP	P7, TRACK 1, FWD, TIC *5550.74 +/-	400	4	0	4,054,765:89:1	
1331	97	204	11:35:42.200		DMS: : *US_RD	P7, TRACK 1, FWD, TIC *5551.97 +/-	400	4	0	4,054,766:06:0	
1332	97	204	11:35:43.400		DMS: : *RUNUP	R806, TRACK *4, *REV, TIC *5552.03 +/-	400	4	0	4,054,766:07:8	
1333	97	204	11:35:48.200	175JR176A6A	6TMREC IM8	806.4 KBPS IMAGE RECORD Record Mode Change	400	4	0	4,054,766:15:0	
1334	97	204	11:35:48.666		DMS: : *RECORD	R806, TRACK 4, REV, TIC *5486.03 +/-	400	4	0	4,054,766:15:7	
1335	97	204	11:35:48.666		DMS: : *AT_SPD	R806, TRACK 4, REV, TIC *5486.03 +/-	400	4	0	4,054,766:15:7	
1336	97	204	11:35:55.533	175JR422A6B	6DMSC RDY,0	DMS Control Tape stop	400	4	0	4,054,766:26:0	
1337	97	204	11:35:55.533		DMS: : *RUNDOWN	R806, TRACK 4, REV, TIC *5317.05 +/-	400	4	0	4,054,766:26:0	
1338	97	204	11:35:58.266		DMS: : *READY	RDY, TRACK 4, REV, TIC *5305.55 +/- 1	400	4	0	4,054,766:30:1	
1339	97	204	11:40:38.866	175JS422A6A	6DMSC R806.4	DMS Control	400	4	0	4,054,770:87:0	
1340	97	204	11:40:38.866		DMS: : *US-RUNUP	P7, TRACK *1, *FWD, TIC *5305.55 +/- 1	400	4	0	4,054,770:87:0	
1341	97	204	11:40:40.266		DMS: : *US_AT_SP	P7, TRACK 1, FWD, TIC *5305.67 +/- 1	400	4	0	4,054,770:89:1	
1342	97	204	11:40:45.533		DMS: : *US_RD	P7, TRACK 1, FWD, TIC *5306.90 +/- 1	400	4	0	4,054,771:06:0	
1343	97	204	11:40:46.733		DMS: : *RUNUP	R806, TRACK *4, *REV, TIC *5306.96 +/- 1	400	4	0	4,054,771:07:8	
1344	97	204	11:40:51.533	175JS176A6A	6TMREC IM8	806.4 KBPS IMAGE RECORD Record Mode Change	400	4	0	4,054,771:15:0	
1345	97	204	11:40:52.000		DMS: : *AT_SPD	R806, TRACK 4, REV, TIC *5240.96 +/- 1	400	4	0	4,054,771:15:7	
1346	97	204	11:40:52.000		DMS: : *RECORD	R806, TRACK 4, REV, TIC *5240.96 +/- 1	400	4	0	4,054,771:15:7	
1347	97	204	11:40:58.866		DMS: : *RUNDOWN	R806, TRACK 4, REV, TIC *5071.98 +/- 1	400	4	0	4,054,771:26:0	
1348	97	204	11:40:58.866	175JS422A6B	6DMSC RDY,0	DMS Control Tape stop	400	4	0	4,054,771:26:0	
1349	97	204	11:41:01.600		DMS: : *READY	RDY, TRACK 4, REV, TIC *5060.48 +/- 1	400	4	0	4,054,771:30:1	
1350	97	204	11:45:42.200	175JT422A6A	6DMSC R806.4	DMS Control	400	4	0	4,054,775:87:0	
1351	97	204	11:45:42.200		DMS: : *US-RUNUP	P7, TRACK *1, *FWD, TIC *5060.48 +/- 1	400	4	0	4,054,775:87:0	
1352	97	204	11:45:43.600		DMS: : *US_AT_SP	P7, TRACK 1, FWD, TIC *5060.60 +/- 1	400	4	0	4,054,775:89:1	
1353	97	204	11:45:48.866		DMS: : *US_RD	P7, TRACK 1, FWD, TIC *5061.83 +/- 1	400	4	0	4,054,776:06:0	
1354	97	204	11:45:50.066		DMS: : *RUNUP	R806, TRACK *4, *REV, TIC *5061.89 +/- 1	400	4	0	4,054,776:07:8	
1355	97	204	11:45:54.866	175JT176A6A	6TMREC IM8	806.4 KBPS IMAGE RECORD Record Mode Change	400	4	0	4,054,776:15:0	
1356	97	204	11:45:55.333		DMS: : *AT_SPD	R806, TRACK 4, REV, TIC *4995.89 +/- 1	400	4	0	4,054,776:15:7	
1357	97	204	11:45:55.333		DMS: : *RECORD	R806, TRACK 4, REV, TIC *4995.89 +/- 1	400	4	0	4,054,776:15:7	
1358	97	204	11:46:02.200		DMS: : *RUNDOWN	R806, TRACK 4, REV, TIC *4826.91 +/- 1	400	4	0	4,054,776:26:0	
1359	97	204	11:46:02.200	175JT422A6B	6DMSC RDY,0	DMS Control Tape stop	400	4	0	4,054,776:26:0	
1360	97	204	11:46:04.933		DMS: : *READY	RDY, TRACK 4, REV, TIC *4815.41 +/- 2	400	4	0	4,054,776:30:1	
1361	97	204	11:50:46.866	175JU422A6A	6DMSC R115.4	DMS Control	400	4	0	4,054,780:89:0	
1362	97	204	11:50:46.866		DMS: : *US-RUNUP	P7, TRACK *1, *FWD, TIC *4815.41 +/- 2	400	4	0	4,054,780:89:0	
1363	97	204	11:50:48.266		DMS: : *US_AT_SP	P7, TRACK 1, FWD, TIC *4815.53 +/- 2	400	4	0	4,054,781:00:1	
1364	97	204	11:50:53.533		DMS: : *US_RD	P7, TRACK 1, FWD, TIC *4816.76 +/- 2	400	4	0	4,054,781:08:0	
1365	97	204	11:50:54.733		DMS: : *RUNUP	R115, TRACK *4, *REV, TIC *4816.82 +/- 2	400	4	0	4,054,781:09:8	
1366	97	204	11:50:58.200	175JU176A6A	6TMREC HCA	115.2 KBPS IMAGE(1-200) RECORD Record Mod	400	4	0	4,054,781:15:0	
1367	97	204	11:50:58.733		DMS: : *RECORD	R115, TRACK 4, REV, TIC *4810.52 +/- 2	400	4	0	4,054,781:15:8	
1368	97	204	11:50:58.733		DMS: : *AT_SPD	R115, TRACK 4, REV, TIC *4810.52 +/- 2	400	4	0	4,054,781:15:8	
1369	97	204	11:51:05.533	175JU422A6B	6DMSC RDY,0	DMS Control Tape stop	400	4	0	4,054,781:26:0	
1370	97	204	11:51:05.533		DMS: : *RUNDOWN	R115, TRACK 4, REV, TIC *4786.62 +/- 2	400	4	0	4,054,781:26:0	
1371	97	204	11:51:06.733		DMS: : *READY	RDY, TRACK 4, REV, TIC *4785.62 +/- 2	400	4	0	4,054,781:27:8	
1372	97	204	11:55:50.200		DMS: : *US-RUNUP	P7, TRACK *1, *FWD, TIC *4785.62 +/- 2	400	4	0	4,054,785:89:0	
1373	97	204	11:55:50.200	175JV422A6A	6DMSC R115.4	DMS Control	400	4	0	4,054,785:89:0	

Line	YR	DOY	SCET - GMT	PSID	Command Parameters	Description	GCM	GO	GS	RIM	MFI
1374	97	204	11:55:51.600		DMS: : *US_AT_SP	P7, TRACK 1, FWD, TIC *4785.74 +/- 2	400	4	0	4,054,786:00:1	
1375	97	204	11:55:56.866		DMS: : *US_RD	P7, TRACK 1, FWD, TIC *4786.97 +/- 2	400	4	0	4,054,786:08:0	
1376	97	204	11:55:58.066		DMS: : *RUNUP	R115, TRACK *4, *REV, TIC *4787.03 +/- 2	400	4	0	4,054,786:09:8	
1377	97	204	11:56:01.533	175JV176A6A	6TMREC HCA	115.2 KBPS IMAGE(1-200) RECORD Record Mod	400	4	0	4,054,786:15:0	
1378	97	204	11:56:02.066		DMS: : *AT_SPD	R115, TRACK 4, REV, TIC *4780.73 +/- 2	400	4	0	4,054,786:15:8	
1379	97	204	11:56:02.066		DMS: : *RECORD	R115, TRACK 4, REV, TIC *4780.73 +/- 2	400	4	0	4,054,786:15:8	
1380	97	204	11:56:08.866	175JV422A6B	6DMSC RDY,0	DMS Control Tape stop	400	4	0	4,054,786:26:0	
1381	97	204	11:56:08.866		DMS: : *RUNDOWN	R115, TRACK 4, REV, TIC *4756.83 +/- 2	400	4	0	4,054,786:26:0	
1382	97	204	11:56:10.066		DMS: : *READY	RDY, TRACK 4, REV, TIC *4755.83 +/- 2	400	4	0	4,054,786:27:8	
1383	97	204	12:00:53.533	175JW422A6A	6DMSC	DMS Control	400	4	0	4,054,790:89:0	
1384	97	204	12:00:53.533		DMS: : *US-RUNUP	P7, TRACK *1, *FWD, TIC 4755.83 +/- 2	400	4	0	4,054,790:89:0	
1385	97	204	12:00:54.933		DMS: : *US_AT_SP	P7, TRACK 1, FWD, TIC *4755.95 +/- 2	400	4	0	4,054,791:00:1	
1386	97	204	12:01:00.200		DMS: : *US_RD	P7, TRACK 1, FWD, TIC *4757.18 +/- 2	400	4	0	4,054,791:08:0	
1387	97	204	12:01:01.400		DMS: : *RUNUP	R115, TRACK *4, *REV, TIC *4757.24 +/- 2	400	4	0	4,054,791:09:8	
1388	97	204	12:01:04.866	175JW176A6A	6TMREC HCA	115.2 KBPS IMAGE(1-200) RECORD Record Mod	400	4	0	4,054,791:15:0	
1389	97	204	12:01:05.400		DMS: : *AT_SPD	R115, TRACK 4, REV, TIC 4750.94 +/- 2	400	4	0	4,054,791:15:8	
1390	97	204	12:01:05.400		DMS: : *RECORD	R115, TRACK 4, REV, TIC *4750.94 +/- 2	400	4	0	4,054,791:15:8	
1391	97	204	12:01:12.200		DMS: : *RUNDOWN	R115, TRACK 4, REV, TIC *4727.03 +/- 2	400	4	0	4,054,791:26:0	
1392	97	204	12:01:12.200	175JW422A6B	6DMSC RDY,0	DMS Control Tape stop	400	4	0	4,054,791:26:0	
1393	97	204	12:01:13.400		DMS: : *READY	RDY, TRACK 4, REV, TIC *4726.03 +/- 2	400	4	0	4,054,791:27:8	
1394	97	204	12:05:53.533		DMS: : *US-RUNUP	P7, TRACK *1, *FWD, TIC 4726.03 +/- 2	400	4	0	4,054,795:84:0	
1395	97	204	12:05:53.533	175KC422A6A	6DMSC R115.4	DMS Control	400	4	0	4,054,795:84:0	
1396	97	204	12:05:54.933		DMS: : *US_AT_SP	P7, TRACK 1, FWD, TIC *4726.15 +/- 2	400	4	0	4,054,795:86:1	
1397	97	204	12:06:00.200		DMS: : *US_RD	P7, TRACK 1, FWD, TIC *4727.39 +/- 2	400	4	0	4,054,796:03:0	
1398	97	204	12:06:01.400		DMS: : *RUNUP	R115, TRACK *4, *REV, TIC *4727.45 +/- 2	400	4	0	4,054,796:04:8	
1399	97	204	12:06:04.866	175KC176A6A	6TMREC HIM	115.2 KBPS SSI + NIMS RECORD Record Mode	400	4	0	4,054,796:10:0	
1400	97	204	12:06:05.400		DMS: : *RECORD	R115, TRACK 4, REV, TIC *4721.15 +/- 2	400	4	0	4,054,796:10:0	
1401	97	204	12:06:05.400		DMS: : *AT_SPD	R115, TRACK 4, REV, TIC 4721.15 +/- 2	400	4	0	4,054,796:10:8	
1402	97	204	12:09:00.200	176IE6A	6TMREC HIS	115.2 KBPS SSI + NIMS RECORD Record Mode	400	4	0	4,054,799:00:0	
1403	97	204	12:10:31.533	175KC422A6B	6DMSC RDY,0	DMS Control Tape stop	400	4	0	4,054,800:46:0	
1404	97	204	12:10:31.533		DMS: : *RUNDOWN	R115, TRACK 4, REV, TIC *3785.52 +/- 2	400	4	0	4,054,800:46:0	
1405	97	204	12:10:32.733		DMS: : *READY	RDY, TRACK 4, REV, TIC *3784.52 +/- 2	400	4	0	4,054,800:47:8	
1406	97	204	12:14:54.200	175KD422A6A	6DMSC R115.4	DMS Control	400	4	0	4,054,804:76:0	
1407	97	204	12:14:54.200		DMS: : *US-RUNUP	P7, TRACK *1, *FWD, TIC 3784.52 +/- 2	400	4	0	4,054,804:76:0	
1408	97	204	12:14:55.600		DMS: : *US_AT_SP	P7, TRACK 1, FWD, TIC *3784.64 +/- 2	400	4	0	4,054,804:78:1	
1409	97	204	12:15:00.866		DMS: : *US_RD	P7, TRACK 1, FWD, TIC *3785.88 +/- 2	400	4	0	4,054,804:86:0	
1410	97	204	12:15:02.066		DMS: : *RUNUP	R115, TRACK *4, *REV, TIC *3785.94 +/- 2	400	4	0	4,054,804:87:8	
1411	97	204	12:15:05.533	175KD176A6A	6TMREC HCA	115.2 KBPS IMAGE(1-200) RECORD Record Mod	400	4	0	4,054,805:02:0	
1412	97	204	12:15:06.066		DMS: : *AT_SPD	R115, TRACK 4, REV, TIC 3779.64 +/- 2	400	4	0	4,054,805:02:8	
1413	97	204	12:15:06.066		DMS: : *RECORD	R115, TRACK 4, REV, TIC *3779.64 +/- 2	400	4	0	4,054,805:02:8	
1414	97	204	12:15:30.200		DMS: : *RUNDOWN	R115, TRACK 4, REV, TIC *3694.79 +/- 2	400	4	0	4,054,805:39:0	
1415	97	204	12:15:30.200	175KD422A6B	6DMSC RDY,0	DMS Control Tape stop	400	4	0	4,054,805:39:0	
1416	97	204	12:15:31.400		DMS: : *READY	RDY, TRACK 4, REV, TIC *3693.79 +/- 2	400	4	0	4,054,805:40:8	
1417	97	204	12:20:30.866		DMS: : *US-RUNUP	P7, TRACK *1, *FWD, TIC 3693.79 +/- 2	400	4	0	4,054,810:35:0	
1418	97	204	12:20:30.866	175KE422A6A	6DMSC R806.4	DMS Control	400	4	0	4,054,810:35:0	
1419	97	204	12:20:32.266		DMS: : *US_AT_SP	P7, TRACK 1, FWD, TIC *3693.91 +/- 2	400	4	0	4,054,810:37:1	
1420	97	204	12:20:37.533		DMS: : *US_RD	P7, TRACK 1, FWD, TIC *3695.15 +/- 2	400	4	0	4,054,810:45:0	
1421	97	204	12:20:38.733		DMS: : *RUNUP	R806, TRACK *4, *REV, TIC *3695.21 +/- 2	400	4	0	4,054,810:46:8	
1422	97	204	12:20:43.533	175KE176A6A	6TMREC IM8	806.4 KBPS IMAGE RECORD Record Mode Change	400	4	0	4,054,810:54:0	
1423	97	204	12:20:44.000		DMS: : *AT_SPD	R806, TRACK 4, REV, TIC 3629.21 +/- 2	400	4	0	4,054,810:54:7	
1424	97	204	12:20:44.000		DMS: : *RECORD	R806, TRACK 4, REV, TIC *3629.21 +/- 2	400	4	0	4,054,810:54:7	
1425	97	204	12:21:08.200	176IF6A	6TMREC A18	806.4 KBPS SSI RECORD Record Mode Change	400	4	0	4,054,811:00:0	
1426	97	204	12:21:17.533	175KE422A6B	6DMSC RDY,0	DMS Control Tape stop	400	4	0	4,054,811:14:0	
1427	97	204	12:21:17.533		DMS: : *RUNDOWN	R806, TRACK 4, REV, TIC *2803.97 +/- 2	400	4	0	4,054,811:14:0	
1428	97	204	12:21:20.266		DMS: : *READY	RDY, TRACK 4, REV, TIC *2792.47 +/- 2	400	4	0	4,054,811:18:1	

Line	YR	DOY	SCET - GMT	PSID	Command	Parameters	Description	GCM	GO	GS	RIM	MFI
1429	97	204	12:22:08.200	165KF4A	7SCAN	NORM,339.887997,	Check S/P Position	400	4	0	4,054,811:90:0	
1430	97	204	12:26:15.533	118KF	SMOS	GS		400	4	0	4,054,816:06:0	
1431	97	204	12:26:39.533	118KF110A111A4A	7STRP	-0.00017,0.0,0.26,	Slew = 0.21	400	4	0	4,054,816:42:0	
1432	97	204	12:27:22.866	118KF110A111A4B	7STRP	0.00085,-0.00034	Slew = 0.81	400	4	0	4,054,817:16:0	
1433	97	204	12:27:31.533	118KF110A111A4C	7STRP	-0.00017,0.0,0.26,	Slew = 0.21	400	4	0	4,054,817:29:0	
1434	97	204	12:28:04.200		DMS:	:*US-RUNUP	P7, TRACK *1,*FWD, TIC 2792.47 +/- 2	400	4	0	4,054,817:78:0	
1435	97	204	12:28:04.200	175KF422A6A	6DMSC	R115,4	DMS Control	400	4	0	4,054,817:78:0	
1436	97	204	12:28:05.600		DMS:	:*US AT SP	P7, TRACK 1, FWD, TIC *2792.59 +/- 2	400	4	0	4,054,817:80:1	
1437	97	204	12:28:10.866		DMS:	:*US RD	P7, TRACK 1, FWD, TIC *2793.83 +/- 2	400	4	0	4,054,817:88:0	
1438	97	204	12:28:12.066		DMS:	:*RUNUP	R115, TRACK *4,*REV, TIC *2793.89 +/- 2	400	4	0	4,054,817:89:8	
1439	97	204	12:28:14.866	118KF11A	SMOS	GE		400	4	0	4,054,818:03:0	
1440	97	204	12:28:15.533	175KF176A6A	6TMREC	HMA	115.2 KBPS IMAGE(1-400)RECORD Record Mode	400	4	0	4,054,818:04:0	
1441	97	204	12:28:16.066		DMS:	:*RECORD	R115, TRACK 4, REV, TIC *2787.59 +/- 2	400	4	0	4,054,818:04:8	
1442	97	204	12:28:16.066		DMS:	:*AT SPD	R115, TRACK 4, REV, TIC 2787.59 +/- 2	400	4	0	4,054,818:04:8	
1443	97	204	12:28:27.533	175KF422A6B	6DMSC	RDY,0	DMS Control Tape stop	400	4	0	4,054,818:22:0	
1444	97	204	12:28:27.533		DMS:	:*RUNDOWN	R115, TRACK 4, REV, TIC *2747.28 +/- 2	400	4	0	4,054,818:22:0	
1445	97	204	12:28:28.733		DMS:	:*READY	RDY, TRACK 4, REV, TIC *2746.28 +/- 2	400	4	0	4,054,818:23:8	
1446	97	204	12:29:12.866	165KH4A	7SCAN	NORM,339.887997,	Check S/P Position	400	4	0	4,054,818:90:0	
1447	97	204	12:31:18.866	118KH	SMOS	GS		400	4	0	4,054,821:06:0	
1448	97	204	12:31:42.866	118KH110A111A4A	7STRP	-0.00017,0.0,0.26,	Slew = 0.21	400	4	0	4,054,821:42:0	
1449	97	204	12:32:26.200	118KH110A111A4B	7STRP	0.00085,-0.00034	Slew = 0.81	400	4	0	4,054,822:16:0	
1450	97	204	12:32:34.866	118KH110A111A4C	7STRP	-0.00017,0.0,0.26,	Slew = 0.21	400	4	0	4,054,822:29:0	
1451	97	204	12:33:07.533		DMS:	:*US-RUNUP	P7, TRACK *1,*FWD, TIC 2746.28 +/- 2	400	4	0	4,054,822:78:0	
1452	97	204	12:33:07.533	175KG422A6A	6DMSC	R115,4	DMS Control	400	4	0	4,054,822:78:0	
1453	97	204	12:33:08.933		DMS:	:*US AT SP	P7, TRACK 1, FWD, TIC *2746.40 +/- 2	400	4	0	4,054,822:80:1	
1454	97	204	12:33:14.200		DMS:	:*US RD	P7, TRACK 1, FWD, TIC *2747.63 +/- 2	400	4	0	4,054,822:88:0	
1455	97	204	12:33:15.400		DMS:	:*RUNUP	R115, TRACK *4,*REV, TIC *2747.69 +/- 2	400	4	0	4,054,822:89:8	
1456	97	204	12:33:18.200	118KH11A	SMOS	GE		400	4	0	4,054,823:03:0	
1457	97	204	12:33:18.866	175KG176A6A	6TMREC	HMA	115.2 KBPS IMAGE(1-400)RECORD Record Mode	400	4	0	4,054,823:04:0	
1458	97	204	12:33:19.400		DMS:	:*RECORD	R115, TRACK 4, REV, TIC *2741.39 +/- 2	400	4	0	4,054,823:04:8	
1459	97	204	12:33:19.400		DMS:	:*AT SPD	R115, TRACK 4, REV, TIC 2741.39 +/- 2	400	4	0	4,054,823:04:8	
1460	97	204	12:33:30.866	175KG422A6B	6DMSC	RDY,0	DMS Control Tape stop	400	4	0	4,054,823:22:0	
1461	97	204	12:33:30.866		DMS:	:*RUNDOWN	R115, TRACK 4, REV, TIC *2701.08 +/- 2	400	4	0	4,054,823:22:0	
1462	97	204	12:33:32.066		DMS:	:*READY	RDY, TRACK 4, REV, TIC *2700.08 +/- 2	400	4	0	4,054,823:23:8	
1463	97	204	12:34:16.200	165KJ4A	7SCAN	NORM,339.887997,	Check S/P Position	400	4	0	4,054,823:90:0	
1464	97	204	12:36:22.200	118KJ	SMOS	GS		400	4	0	4,054,826:06:0	
1465	97	204	12:36:46.200	118KJ110A111A4A	7STRP	-0.00017,0.0,0.26,	Slew = 0.21	400	4	0	4,054,826:42:0	
1466	97	204	12:37:29.533	118KJ110A111A4B	7STRP	0.00085,-0.00034	Slew = 0.81	400	4	0	4,054,827:16:0	
1467	97	204	12:37:38.200	118KJ110A111A4C	7STRP	-0.00017,0.0,0.26,	Slew = 0.21	400	4	0	4,054,827:29:0	
1468	97	204	12:38:10.866	175KH422A6A	6DMSC	R115,4	DMS Control	400	4	0	4,054,827:78:0	
1469	97	204	12:38:10.866		DMS:	:*US-RUNUP	P7, TRACK *1,*FWD, TIC 2700.08 +/- 2	400	4	0	4,054,827:78:0	
1470	97	204	12:38:12.266		DMS:	:*US AT SP	P7, TRACK 1, FWD, TIC *2700.20 +/- 2	400	4	0	4,054,827:80:1	
1471	97	204	12:38:17.533		DMS:	:*US RD	P7, TRACK 1, FWD, TIC *2701.43 +/- 2	400	4	0	4,054,827:88:0	
1472	97	204	12:38:18.733		DMS:	:*RUNUP	R115, TRACK *4,*REV, TIC *2701.49 +/- 2	400	4	0	4,054,827:89:8	
1473	97	204	12:38:21.533	118KJ11A	SMOS	GE		400	4	0	4,054,828:03:0	
1474	97	204	12:38:22.200	175KH176A6A	6TMREC	HMA	115.2 KBPS IMAGE(1-400)RECORD Record Mode	400	4	0	4,054,828:04:0	
1475	97	204	12:38:22.733		DMS:	:*AT SPD	R115, TRACK 4, REV, TIC 2695.19 +/- 3	400	4	0	4,054,828:04:8	
1476	97	204	12:38:22.733		DMS:	:*RECORD	R115, TRACK 4, REV, TIC *2695.19 +/- 2	400	4	0	4,054,828:04:8	
1477	97	204	12:38:34.200		DMS:	:*RUNDOWN	R115, TRACK 4, REV, TIC *2654.88 +/- 3	400	4	0	4,054,828:22:0	
1478	97	204	12:38:34.200	175KH422A6B	6DMSC	RDY,0	DMS Control Tape stop	400	4	0	4,054,828:22:0	
1479	97	204	12:38:35.400		DMS:	:*READY	RDY, TRACK 4, REV, TIC *2653.88 +/- 3	400	4	0	4,054,828:23:8	
1480	97	204	12:39:19.533	165KL4A	7SCAN	NORM,339.887997,	Check S/P Position	400	4	0	4,054,828:90:0	
1481	97	204	12:41:25.533	118KL	SMOS	GS		400	4	0	4,054,831:06:0	
1482	97	204	12:41:49.533	118KL110A111A4A	7STRP	-0.00017,0.0,0.26,	Slew = 0.21	400	4	0	4,054,831:42:0	
1483	97	204	12:42:32.866	118KL110A111A4B	7STRP	0.00085,-0.00034	Slew = 0.81	400	4	0	4,054,832:16:0	

Line	YR	DOY	SCET - GMT	PSID	Command	Parameters	Description	GCM	GO	GS	RIM	MFI
1484	97	204	12:42:41.533	118KL110A111A4C	7STRP	-0.00017,0.0,26,	Slew = 0.21	400	4	0	4,054,832:29:0	
1485	97	204	12:43:14.200		DMS:	: *US-RUNUP	P7, TRACK *1, *FWD, TIC 2653.88 +/- 3	400	4	0	4,054,832:78:0	
1486	97	204	12:43:14.200	175KI422A6A	6DMSC	R115.4	DMS Control	400	4	0	4,054,832:78:0	
1487	97	204	12:43:15.600		DMS:	: *US_AT_SP	P7, TRACK 1, FWD, TIC *2654.00 +/- 3	400	4	0	4,054,832:80:1	
1488	97	204	12:43:20.866		DMS:	: *US_RD	P7, TRACK 1, FWD, TIC *2655.23 +/- 3	400	4	0	4,054,832:88:0	
1489	97	204	12:43:22.066		DMS:	: *RUNUP	R115, TRACK *4, *REV, TIC *2655.29 +/- 3	400	4	0	4,054,832:89:8	
1490	97	204	12:43:24.866	118KL11A	SMOS	GE		400	4	0	4,054,833:03:0	
1491	97	204	12:43:25.533	175KI176A6A	6TMREC	HMA	115.2 KBPS IMAGE(1-400)RECORD Record Mode	400	4	0	4,054,833:04:0	
1492	97	204	12:43:26.066		DMS:	: *AT_SPD	R115, TRACK 4, REV, TIC 2648.99 +/- 3	400	4	0	4,054,833:04:8	
1493	97	204	12:43:26.066		DMS:	: *RECORD	R115, TRACK 4, REV, TIC *2648.99 +/- 3	400	4	0	4,054,833:04:8	
1494	97	204	12:43:37.533	175KI422A6B	6DMSC	RDY,0	DMS Control Tape stop	400	4	0	4,054,833:22:0	
1495	97	204	12:43:37.533		DMS:	: *RUNDOWN	R115, TRACK 4, REV, TIC *2608.68 +/- 3	400	4	0	4,054,833:22:0	
1496	97	204	12:43:38.733		DMS:	: *READY	RDY, TRACK 4, REV, TIC *2607.68 +/- 3	400	4	0	4,054,833:23:8	
1497	97	204	12:44:22.866	165KN4A	7SCAN	NORM,28.022,20.3	Check S/P Position	400	4	0	4,054,833:90:0	
1498	97	204	12:48:30.200	118KN	SMOS	GS		400	4	0	4,054,838:06:0	
1499	97	204	12:48:54.200	118KN110A111A4A	7STRP	-0.00017,0.0,26,	Slew = 0.21	400	4	0	4,054,838:42:0	
1500	97	204	12:49:37.533	118KN110A111A4B	7STRP	0.00085,-0.00034	Slew = 0.81	400	4	0	4,054,839:16:0	
1501	97	204	12:49:46.200	118KN110A111A4C	7STRP	-0.00017,0.0,26,	Slew = 0.21	400	4	0	4,054,839:29:0	
1502	97	204	12:50:18.866		DMS:	: *US-RUNUP	P7, TRACK *1, *FWD, TIC 2607.68 +/- 3	400	4	0	4,054,839:78:0	
1503	97	204	12:50:18.866	175KJ422A6A	6DMSC	R115.4	DMS Control	400	4	0	4,054,839:78:0	
1504	97	204	12:50:20.266		DMS:	: *US_AT_SP	P7, TRACK 1, FWD, TIC *2607.80 +/- 3	400	4	0	4,054,839:80:1	
1505	97	204	12:50:25.533		DMS:	: *US_RD	P7, TRACK 1, FWD, TIC *2609.04 +/- 3	400	4	0	4,054,839:88:0	
1506	97	204	12:50:26.733		DMS:	: *RUNUP	R115, TRACK *4, *REV, TIC *2609.10 +/- 3	400	4	0	4,054,839:89:8	
1507	97	204	12:50:29.533	118KN11A	SMOS	GE		400	4	0	4,054,840:03:0	
1508	97	204	12:50:30.200	175KJ176A6A	6TMREC	HMA	115.2 KBPS IMAGE(1-400)RECORD Record Mode	400	4	0	4,054,840:04:0	
1509	97	204	12:50:30.733		DMS:	: *RECORD	R115, TRACK 4, REV, TIC *2602.80 +/- 3	400	4	0	4,054,840:04:8	
1510	97	204	12:50:30.733		DMS:	: *AT_SPD	R115, TRACK 4, REV, TIC 2602.80 +/- 3	400	4	0	4,054,840:04:8	
1511	97	204	12:50:42.200		DMS:	: *RUNDOWN	R115, TRACK 4, REV, TIC *2562.48 +/- 3	400	4	0	4,054,840:22:0	
1512	97	204	12:50:42.200	175KJ422A6B	6DMSC	RDY,0	DMS Control Tape stop	400	4	0	4,054,840:22:0	
1513	97	204	12:50:43.400		DMS:	: *READY	RDY, TRACK 4, REV, TIC *2561.48 +/- 3	400	4	0	4,054,840:23:8	
1514	97	204	12:51:27.533	165KP4A	7SCAN	NORM,28.022,20.3	Check S/P Position	400	4	0	4,054,840:90:0	
1515	97	204	12:53:33.533	118KP	SMOS	GS		400	4	0	4,054,843:06:0	
1516	97	204	12:53:57.533	118KP110A111A4A	7STRP	-0.00017,0.0,26,	Slew = 0.21	400	4	0	4,054,843:42:0	
1517	97	204	12:54:40.866	118KP110A111A4B	7STRP	0.00085,-0.00034	Slew = 0.81	400	4	0	4,054,844:16:0	
1518	97	204	12:54:49.533	118KP110A111A4C	7STRP	-0.00017,0.0,26,	Slew = 0.21	400	4	0	4,054,844:29:0	
1519	97	204	12:55:22.200	175KK422A6A	6DMSC	R115.4	DMS Control	400	4	0	4,054,844:78:0	
1520	97	204	12:55:22.200		DMS:	: *US-RUNUP	P7, TRACK *1, *FWD, TIC 2561.48 +/- 3	400	4	0	4,054,844:78:0	
1521	97	204	12:55:23.600		DMS:	: *US_AT_SP	P7, TRACK 1, FWD, TIC *2561.60 +/- 3	400	4	0	4,054,844:80:1	
1522	97	204	12:55:28.866		DMS:	: *US_RD	P7, TRACK 1, FWD, TIC *2562.84 +/- 3	400	4	0	4,054,844:88:0	
1523	97	204	12:55:30.066		DMS:	: *RUNUP	R115, TRACK *4, *REV, TIC *2562.90 +/- 3	400	4	0	4,054,844:89:8	
1524	97	204	12:55:32.866	118KP11A	SMOS	GE		400	4	0	4,054,845:03:0	
1525	97	204	12:55:33.533	175KK176A6A	6TMREC	HMA	115.2 KBPS IMAGE(1-400)RECORD Record Mode	400	4	0	4,054,845:04:0	
1526	97	204	12:55:34.066		DMS:	: *RECORD	R115, TRACK 4, REV, TIC *2556.60 +/- 3	400	4	0	4,054,845:04:8	
1527	97	204	12:55:34.066		DMS:	: *AT_SPD	R115, TRACK 4, REV, TIC 2556.60 +/- 3	400	4	0	4,054,845:04:8	
1528	97	204	12:55:45.533	175KK422A6B	6DMSC	RDY,0	DMS Control Tape stop	400	4	0	4,054,845:22:0	
1529	97	204	12:55:45.533		DMS:	: *RUNDOWN	R115, TRACK 4, REV, TIC *2516.29 +/- 3	400	4	0	4,054,845:22:0	
1530	97	204	12:55:46.733		DMS:	: *READY	RDY, TRACK 4, REV, TIC *2515.29 +/- 3	400	4	0	4,054,845:23:8	
1531	97	204	12:56:30.866	165KR4A	7SCAN	NORM,28.022,20.3	Check S/P Position	400	4	0	4,054,845:90:0	
1532	97	204	12:58:36.866	118KR	SMOS	GS		400	4	0	4,054,848:06:0	
1533	97	204	12:59:00.866	118KR110A111A4A	7STRP	-0.00017,0.0,26,	Slew = 0.21	400	4	0	4,054,848:42:0	
1534	97	204	12:59:44.200	118KR110A111A4B	7STRP	0.00085,-0.00034	Slew = 0.81	400	4	0	4,054,849:16:0	
1535	97	204	12:59:52.866	118KR110A111A4C	7STRP	-0.00017,0.0,26,	Slew = 0.21	400	4	0	4,054,849:29:0	
1536	97	204	13:00:25.533	175KL422A6A	6DMSC	R115.4	DMS Control	400	4	0	4,054,849:78:0	
1537	97	204	13:00:25.533		DMS:	: *US-RUNUP	P7, TRACK *1, *FWD, TIC 2515.29 +/- 3	400	4	0	4,054,849:78:0	
1538	97	204	13:00:26.933		DMS:	: *US_AT_SP	P7, TRACK 1, FWD, TIC *2515.41 +/- 3	400	4	0	4,054,849:80:1	

Line	YR	DOY	SCET - GMT	PSID	Command	Parameters	Description	GCM	GO	GS	RIM	MFI
1539	97	204	13:00:32.200		DMS:	:*US_RD	P7, TRACK 1, FWD, TIC *2516.64 +/- 3	400	4	0	4,054,849:88:0	
1540	97	204	13:00:33.400		DMS:	:*RUNUP	R115, TRACK *4, *REV, TIC *2516.70 +/- 3	400	4	0	4,054,849:89:8	
1541	97	204	13:00:36.200	118KR11A	SMOS	GE		400	4	0	4,054,850:03:0	
1542	97	204	13:00:36.866	175KL176A6A	6TMREC	HMA	115.2 KBPS IMAGE(1-400)RECORD Record Mode	400	4	0	4,054,850:04:0	
1543	97	204	13:00:37.400		DMS:	:*RECORD	R115, TRACK 4, REV, TIC *2510.40 +/- 3	400	4	0	4,054,850:04:8	
1544	97	204	13:00:37.400		DMS:	:*AT_SPD	R115, TRACK 4, REV, TIC 2510.40 +/- 3	400	4	0	4,054,850:04:8	
1545	97	204	13:00:48.866	175KL422A6B	6DMSC	RDY,0	DMS Control Tape stop	400	4	0	4,054,850:22:0	
1546	97	204	13:00:48.866		DMS:	:*RUNDOWN	R115, TRACK 4, REV, TIC *2470.09 +/- 3	400	4	0	4,054,850:22:0	
1547	97	204	13:00:50.066		DMS:	:*READY	RDY, TRACK 4, REV, TIC *2469.09 +/- 3	400	4	0	4,054,850:23:8	
1548	97	204	13:01:34.200	165KT4A	7SCAN	NORM,28.022,20.3	Check S/P Position	400	4	0	4,054,850:90:0	
1549	97	204	13:03:40.200	118KT	SMOS	GS		400	4	0	4,054,853:06:0	
1550	97	204	13:04:04.200	118KT110A111A4A	7STRP	-0.00017,0.0,0.26,	Slew = 0.21	400	4	0	4,054,853:42:0	
1551	97	204	13:04:47.533	118KT110A111A4B	7STRP	0.00085,-0.00034	Slew = 0.81	400	4	0	4,054,854:16:0	
1552	97	204	13:04:56.200	118KT110A111A4C	7STRP	-0.00017,0.0,0.26,	Slew = 0.21	400	4	0	4,054,854:29:0	
1553	97	204	13:05:28.866		DMS:	:*US-RUNUP	P7, TRACK *1, *FWD, TIC 2469.09 +/- 3	400	4	0	4,054,854:78:0	
1554	97	204	13:05:28.866	175KM422A6A	6DMSC	R115.4	DMS Control	400	4	0	4,054,854:78:0	
1555	97	204	13:05:30.266		DMS:	:*US_AT_SP	P7, TRACK 1, FWD, TIC *2469.21 +/- 3	400	4	0	4,054,854:80:1	
1556	97	204	13:05:35.533		DMS:	:*US_RD	P7, TRACK 1, FWD, TIC *2470.44 +/- 3	400	4	0	4,054,854:88:0	
1557	97	204	13:05:36.733		DMS:	:*RUNUP	R115, TRACK *4, *REV, TIC *2470.50 +/- 3	400	4	0	4,054,854:89:8	
1558	97	204	13:05:39.533	118KT11A	SMOS	GE		400	4	0	4,054,855:03:0	
1559	97	204	13:05:40.200	175KM176A6A	6TMREC	HMA	115.2 KBPS IMAGE(1-400)RECORD Record Mode	400	4	0	4,054,855:04:0	
1560	97	204	13:05:40.733		DMS:	:*AT_SPD	R115, TRACK 4, REV, TIC 2464.20 +/- 3	400	4	0	4,054,855:04:8	
1561	97	204	13:05:40.733		DMS:	:*RECORD	R115, TRACK 4, REV, TIC *2464.20 +/- 3	400	4	0	4,054,855:04:8	
1562	97	204	13:05:52.866		DMS:	:*RUNDOWN	R115, TRACK 4, REV, TIC *2421.55 +/- 3	400	4	0	4,054,855:23:0	
1563	97	204	13:05:52.866	175KM422A6B	6DMSC	RDY,0	DMS Control Tape stop	400	4	0	4,054,855:23:0	
1564	97	204	13:05:54.066		DMS:	:*READY	RDY, TRACK 4, REV, TIC *2420.55 +/- 3	400	4	0	4,054,855:24:8	
1565	97	204	13:11:30.200		DMS:	:*US-RUNUP	P7, TRACK *1, *FWD, TIC 2420.55 +/- 3	400	4	0	4,054,860:74:0	
1566	97	204	13:11:30.200	175MF422A6A	6DMSC	R7.4	DMS Control Tape runup 7.68Kbp	400	4	0	4,054,860:74:0	
1567	97	204	13:11:31.600		DMS:	:*US_AT_SP	P7, TRACK 1, FWD, TIC *2420.67 +/- 3	400	4	0	4,054,860:76:1	
1568	97	204	13:11:36.866		DMS:	:*US_RD	P7, TRACK 1, FWD, TIC *2421.90 +/- 3	400	4	0	4,054,860:84:0	
1569	97	204	13:11:38.066		DMS:	:*RUNUP	R7, TRACK *4, *REV, TIC *2421.96 +/- 3	400	4	0	4,054,860:85:8	
1570	97	204	13:11:38.866	282NE431A6A	6RCSEL	DDSNCG,PLSSEL,EP	Record Select (DDS onl)	400	4	0	4,054,860:87:0	
1571	97	204	13:11:38.866	175MF176A6A	6TMREC	LPW	7.68 KBPS LOW RATE SCI PWS RECORD Record	400	4	0	4,054,860:87:0	
1572	97	204	13:11:39.466		DMS:	:*AT_SPD	R7, TRACK 4, REV, TIC 2421.84 +/- 3	400	4	0	4,054,860:87:9	
1573	97	204	13:11:39.466		DMS:	:*RECORD	R7, TRACK 4, REV, TIC *2421.84 +/- 3	400	4	0	4,054,860:87:9	
1574	97	204	13:11:41.533	431O16A	6RCSEL	DDSNCG,PLSNCG,EP	Record Select (DDS onl)	400	4	0	4,054,861:00:0	
1575	97	204	13:57:13.533	432O1431A6A	6RCDSL	DDSNCG,PLSNCG,EP	Record Deselect (DDS o	400	4	0	4,054,906:03:0	
1576	97	204	13:57:13.533	175MF422A6B	6DMSC	RDY,0	DMS Control Tape stop	400	4	0	4,054,906:03:0	
1577	97	204	13:57:13.533		DMS:	:*RUNDOWN	R7, TRACK 4, REV, TIC *1781.04 +/- 3	400	4	0	4,054,906:03:0	
1578	97	204	13:57:14.200	432O16A	6RTSL1		R/T Select of DDS and	400	4	0	4,054,906:04:0	
1579	97	204	13:57:14.733		DMS:	:*READY	RDY, TRACK 4, REV, TIC *1780.98 +/- 3	400	4	0	4,054,906:04:8	
1580	97	204	13:57:17.533	282NF431A6A	6RCDSL	DDSNCG,PLSDSL,EP	Record Deselect (DDS o	400	4	0	4,054,906:84:0	
1581	97	204	13:58:06.866	282NF432A431A6A	6RCDSL	DDSNCG,PLSDSL,EP	Record Deselect (DDS o	400	4	0	4,054,906:83:0	
1582	97	204	13:58:07.533	282NF432A6A	6RTSL1		R/T Select of DDS and	400	4	0	4,054,906:84:0	
1583	97	204	14:05:00.200	41ST99A	POWER	PWR MODE change	Change to Maneuver/Playback Mode	400	4	0	4,054,913:66:0	
1584	97	204	14:05:54.200	41ST3G	40T1P		1 PCT Heater 1 ON (primary relay)	400	4	0	4,054,915:55:0	
1585	97	204	14:07:04.200	41ST3H	40T1P		2 PCT Heater 1 ON (primary relay)	400	4	0	4,054,915:70:0	
1586	97	204	14:07:14.200	41ST3I	40T2		1 PCT Heater 2 ON	400	4	0	4,054,915:85:0	
1587	97	204	14:07:24.200	41ST3J	40T2		2 PCT Heater 2 ON	400	4	0	4,054,916:09:0	
1588	97	204	14:10:00.200	444UH443A4A	7MODE	CRU	AACS CRUISE MODE	400	4	0	4,054,918:61:0	
1589	97	204	14:23:28.866		DMS:	:*SLEW-TIC	P7, TRACK *1, *FWD, TIC 1780.98 +/- 3	400	4	0	4,054,932:00:0	
1590	97	204	14:23:28.866		DMS:	:*E4-DELAY	RDY, TRACK 1, FWD, TIC 1780.98 +/- 3	400	4	0	4,054,932:00:0	
1591	97	204	14:23:28.866	465WA6A	6DMST		5000 DMS Slew to TIC	400	4	0	4,054,932:00:0	
1592	97	204	14:23:35.533		DMS:	:*RUNUP	P7, TRACK 1, FWD, TIC 1780.98 +/- 3	400	4	0	4,054,932:10:0	
1593	97	204	14:23:36.933		DMS:	:*AT_SPD	P7, TRACK 1, FWD, TIC *1781.10 +/- 3	400	4	0	4,054,932:12:1	

Line	YR	DOY	SCET - GMT	PSID	Command	Parameters	Description	GCM	GO	GS	RIM	MFI
1594	97	204	18:12:21.000		DMS:	: *RUNDOWN	P7, TRACK 1, FWD, TIC *4997.94 +/- 3	400	4	0	4,055,158:32:2	
1595	97	204	18:12:22.200		DMS:	: *READY	RDY, TRACK 1, FWD, TIC *4998.00 +/- 3	400	4	0	4,055,158:34:0	
1596	97	204	18:58:44.866	488DD6A	6TMSED	NORM,IL7	Sci, Eng, and D/L Chan	400	4	0	4,055,204:22:0	
1597	97	204	19:00:00.200	488DD6B	6TMSED	NORM,EL7	Sci, Eng, and D/L Chan	400	4	0	4,055,205:44:0	
1598	97	204	19:00:00.866	282NW432A431A6A	6RCDSL	DDSNCG,PLSDSL,EP	Record Deselect (DDS o	400	4	0	4,055,205:45:0	
1599	97	204	19:00:01.533	282NW432A6A	6RTSL1		R/T Select of DDS and	400	4	0	4,055,205:46:0	
1600	97	204	19:47:48.866	488DD6C	6TMSED	NORM,EL6	Sci, Eng, and D/L Chan	400	4	0	4,055,252:70:0	
1601	97	204	20:17:10.200	465WB6A	6DMSC	P100.4	DMS Control Tape P/B 100.8kbps	400	4	0	4,055,281:73:0	
1602	97	204	20:17:10.200		DMS:	: *US-RUNUP	P7, TRACK 1, FWD, TIC 4998.00 +/- 3	400	4	0	4,055,281:73:0	
1603	97	204	20:17:11.600		DMS:	: *US AT SP	P7, TRACK 1, FWD, TIC *4998.12 +/- 3	400	4	0	4,055,281:75:1	
1604	97	204	20:17:16.866		DMS:	: *US_RD	P7, TRACK 1, FWD, TIC *4999.35 +/- 3	400	4	0	4,055,281:83:0	
1605	97	204	20:17:18.066		DMS:	: *RUNUP	P100, TRACK *4, *REV, TIC *4999.41 +/- 3	400	4	0	4,055,281:84:8	
1606	97	204	20:17:21.933		DMS:	: *AT SPD	P100, TRACK 4, REV, TIC 4993.91 +/- 3	400	4	0	4,055,281:90:6	
1607	97	204	20:17:21.933		DMS:	: *P_SLEW	P100, TRACK 4, REV, TIC *4993.91 +/- 3	400	4	0	4,055,281:90:6	
1608	97	204	20:43:02.200	465WB6B	6DMSC	RDY,4	DMS Control Tape stop	400	4	0	4,055,307:35:0	
1609	97	204	20:43:02.200		DMS:	: *RUNDOWN	P100, TRACK 4, REV, TIC * 255.79 +/- 3	400	4	0	4,055,307:35:0	
1610	97	204	20:43:03.400		DMS:	: *READY	RDY, TRACK 4, REV, TIC * 254.99 +/- 3	400	4	0	4,055,307:36:8	
1611	97	204	20:43:16.866	488DD6D	6TMSED	NORM,EL4	Sci, Eng, and D/L Chan	400	4	0	4,055,307:57:0	
1612	97	204	21:06:44.866	488DD6E	6TMSED	NORM,EL5	Sci, Eng, and D/L Chan	400	4	0	4,055,330:76:0	
1613	97	204	22:36:20.866	488DE6A	6TMSED	NORM,EL6	Sci, Eng, and D/L Chan	400	4	0	4,055,419:41:0	
1614	97	204	22:40:00.200	488DE6B	6TMSED	NORM,EH6	Sci, Eng, and D/L Chan	400	4	0	4,055,423:06:0	
1615	97	204	22:49:56.200	465WC6A	6DTRN	CMD,6DTRN,465WC6	DMS TRACK TURNAROUND	400	4	0	4,055,432:81:0	
1616	97	204	22:49:56.200		DMS:	: *US-RUNUP	P7, TRACK *1, *FWD, TIC 254.99 +/- 3	400	4	0	4,055,432:81:0	
1617	97	204	22:49:56.200		DMS:	: *DMS-TURN	P7, TRACK 4, REV, TIC 254.99 +/- 3	400	4	0	4,055,432:81:0	
1618	97	204	22:49:57.600		DMS:	: *US AT SP	P7, TRACK 1, FWD, TIC * 255.11 +/- 3	400	4	0	4,055,432:83:1	
1619	97	204	22:50:02.866		DMS:	: *US_RD	P7, TRACK 1, FWD, TIC * 256.34 +/- 3	400	4	0	4,055,433:00:0	
1620	97	204	22:50:04.066		DMS:	: *RUNUP	P7, TRACK *4, *REV, TIC * 256.40 +/- 3	400	4	0	4,055,433:01:8	
1621	97	204	22:50:05.466		DMS:	: *AT SPD	P7, TRACK 4, REV, TIC * 256.28 +/- 3	400	4	0	4,055,433:03:9	
1622	97	204	22:54:06.133		DMS:	: *REVERSE	P7, TRACK 4, REV, TIC * 199.87 +/- 3	400	4	0	4,055,437:00:9	
1623	97	204	22:54:07.333		DMS:	: *RUNUP	P7, TRACK 1, FWD, TIC 199.81 +/- 3	400	4	0	4,055,437:02:7	
1624	97	204	22:54:07.333		DMS:	: *TURNARND	P7, TRACK *1, *FWD, TIC * 199.81 +/- 3	400	4	0	4,055,437:02:7	
1625	97	204	22:54:08.733		DMS:	: *AT SPD	P7, TRACK 1, FWD, TIC * 199.93 +/- 3	400	4	0	4,055,437:04:8	
1626	97	204	22:54:20.733		DMS:	: *AUTOSTOP	P7, TRACK 1, FWD, TIC * 202.06 +/- 3	400	4	0	4,055,437:22:8	
1627	97	204	22:54:21.933		DMS:	: *READY	RDY, TRACK 1, FWD, TIC * 202.12 +/- 3	400	4	0	4,055,437:24:6	
1628	97	204	23:00:59.533		DMS:	: *E4-DELAY	RDY, TRACK 1, FWD, TIC 202.12 +/- 3	400	4	0	4,055,443:75:0	
1629	97	204	23:00:59.533	465WD6A	6DMSC	P100.1	DMS Control Tape P/B 100.8kbps	400	4	0	4,055,443:75:0	
1630	97	204	23:01:06.200		DMS:	: *RUNUP	P100, TRACK 1, FWD, TIC 202.12 +/- 3	400	4	0	4,055,443:85:0	
1631	97	204	23:01:10.066		DMS:	: *AT SPD	P100, TRACK 1, FWD, TIC 207.62 +/- 3	400	4	0	4,055,443:90:8	
1632	97	204	23:01:10.066		DMS:	: *P_SLEW	P100, TRACK 1, FWD, TIC * 207.62 +/- 3	400	4	0	4,055,443:90:8	
1633	97	204	23:32:53.533	465WD6B	6DMSC	RDY,1	DMS Control Tape stop	400	4	0	4,055,475:34:0	
1634	97	204	23:32:53.533		DMS:	: *RUNDOWN	P100, TRACK 1, FWD, TIC *6063.01 +/- 3	400	4	0	4,055,475:34:0	
1635	97	204	23:32:54.733		DMS:	: *READY	RDY, TRACK 1, FWD, TIC *6063.81 +/- 3	400	4	0	4,055,475:35:8	
1636	97	204	23:48:29.533		DMS:	: *US-RUNUP	P7, TRACK 1, FWD, TIC 6063.81 +/- 3	400	4	0	4,055,490:73:0	
1637	97	204	23:48:29.533	465WE6A	6DMSC	P100.2	DMS Control Tape P/B 100.8kbps	400	4	0	4,055,490:73:0	
1638	97	204	23:48:30.933		DMS:	: *US AT SP	P7, TRACK 1, FWD, TIC *6063.93 +/- 3	400	4	0	4,055,490:75:1	
1639	97	204	23:48:36.200		DMS:	: *US_RD	P7, TRACK 1, FWD, TIC *6065.17 +/- 3	400	4	0	4,055,490:83:0	
1640	97	204	23:48:37.400		DMS:	: *RUNUP	P100, TRACK *2, *REV, TIC *6065.23 +/- 3	400	4	0	4,055,490:84:8	
1641	97	204	23:48:41.266		DMS:	: *P_SLEW	P100, TRACK 2, REV, TIC *6059.73 +/- 3	400	4	0	4,055,490:90:6	
1642	97	204	23:48:41.266		DMS:	: *AT SPD	P100, TRACK 2, REV, TIC 6059.73 +/- 3	400	4	0	4,055,490:90:6	
1643	97	205	00:20:37.533	465WF6A	6DMSC	P100.3	DMS Control Tape P/B 100.8kbps	400	4	0	4,055,522:53:0	
1644	97	205	00:20:37.533		DMS:	: *RUNDOWN	P100, TRACK 2, REV, TIC * 164.96 +/- 3	400	4	0	4,055,522:53:0	
1645	97	205	00:20:38.733		DMS:	: *RUNUP	P100, TRACK *3, *FWD, TIC * 164.16 +/- 3	400	4	0	4,055,522:54:8	
1646	97	205	00:20:42.600		DMS:	: *P_SLEW	P100, TRACK 3, FWD, TIC * 169.66 +/- 3	400	4	0	4,055,522:60:6	
1647	97	205	00:20:42.600		DMS:	: *AT SPD	P100, TRACK 3, FWD, TIC 169.66 +/- 3	400	4	0	4,055,522:60:6	
1648	97	205	00:52:38.200		DMS:	: *RUNDOWN	P100, TRACK 3, FWD, TIC *6062.38 +/- 3	400	4	0	4,055,554:22:0	

Line	YR	DOY	SCET - GMT	PSID	Command	Parameters	Description	GCM	GO	GS	RIM	MFI
1649	97	205	00:52:38.200	465WF6B	6DMSC	RDY,3	DMS Control Tape stop	400	4	0	4,055,554:22:0	
1650	97	205	00:52:39.400		DMS:	: *READY	RDY, TRACK 3, FWD, TIC *6063.18 +/-	400	4	0	4,055,554:23:8	
1651	97	205	01:07:21.533	465WG6A	6DMSC	P100,4	DMS Control Tape P/B 100.8kbps	400	4	0	4,055,568:73:0	
1652	97	205	01:07:21.533		DMS:	: *US-RUNUP	P7, TRACK *1, FWD, TIC 6063.18 +/-	400	4	0	4,055,568:73:0	
1653	97	205	01:07:22.933		DMS:	: *US_AT_SP	P7, TRACK 1, FWD, TIC *6063.30 +/-	400	4	0	4,055,568:75:1	
1654	97	205	01:07:28.200		DMS:	: *US_RD	P7, TRACK 1, FWD, TIC *6064.53 +/-	400	4	0	4,055,568:83:0	
1655	97	205	01:07:29.400		DMS:	: *RUNUP	P100, TRACK *4, *REV, TIC *6064.59 +/-	400	4	0	4,055,568:84:8	
1656	97	205	01:07:33.266		DMS:	: *AT_SPD	P100, TRACK 4, REV, TIC 6059.09 +/-	400	4	0	4,055,568:90:6	
1657	97	205	01:07:33.266		DMS:	: *P_SLEW	P100, TRACK 4, REV, TIC *6059.09 +/-	400	4	0	4,055,568:90:6	
1658	97	205	01:39:28.866	465WH6A	6DMSC	P100,3	DMS Control Tape P/B 100.8kbps	400	4	0	4,055,600:52:0	
1659	97	205	01:39:28.866		DMS:	: *RUNDOWN	P100, TRACK 4, REV, TIC *166.38 +/-	400	4	0	4,055,600:52:0	
1660	97	205	01:39:30.066		DMS:	: *RUNUP	P100, TRACK *3, *FWD, TIC *165.58 +/-	400	4	0	4,055,600:53:8	
1661	97	205	01:39:33.933		DMS:	: *P_SLEW	P100, TRACK 3, FWD, TIC *171.08 +/-	400	4	0	4,055,600:59:6	
1662	97	205	01:39:33.933		DMS:	: *AT_SPD	P100, TRACK 3, FWD, TIC 171.08 +/-	400	4	0	4,055,600:59:6	
1663	97	205	01:40:34.866		DMS:	: *RUNDOWN	P100, TRACK 3, FWD, TIC *358.52 +/-	400	4	0	4,055,601:60:0	
1664	97	205	01:40:34.866	465WH6B	6DMSC	RDY,3	DMS Control Tape stop	400	4	0	4,055,601:60:0	
1665	97	205	01:40:36.066		DMS:	: *READY	RDY, TRACK 3, FWD, TIC *359.32 +/-	400	4	0	4,055,601:61:8	
1666	97	205	01:55:04.866	465WI6A	6DMSC	RDY,4	DMS Control Tape stop	400	4	0	4,055,616:00:0	
1667	97	205	01:55:04.866		DMS:	: *READY	RDY, TRACK *4, *REV, TIC 359.32 +/-	400	4	0	4,055,616:00:0	
1668	97	205	01:55:58.866		DMS:	: *DMS-TURN	P7, TRACK 4, REV, TIC 359.32 +/-	400	4	0	4,055,616:81:0	
1669	97	205	01:55:58.866		DMS:	: *US-RUNUP	P7, TRACK *1, *FWD, TIC 359.32 +/-	400	4	0	4,055,616:81:0	
1670	97	205	01:55:58.866	465WJ6A	6DTRN	CMD,6DTRN,465WJ6	DMS TRACK TURNAROUND	400	4	0	4,055,616:81:0	
1671	97	205	01:56:00.266		DMS:	: *US_AT_SP	P7, TRACK 1, FWD, TIC *359.44 +/-	400	4	0	4,055,616:83:1	
1672	97	205	01:56:05.533		DMS:	: *US_RD	P7, TRACK 1, FWD, TIC *360.67 +/-	400	4	0	4,055,617:00:0	
1673	97	205	01:56:06.733		DMS:	: *RUNUP	P7, TRACK *4, *REV, TIC *360.73 +/-	400	4	0	4,055,617:01:8	
1674	97	205	01:56:08.133		DMS:	: *AT_SPD	P7, TRACK 4, REV, TIC *360.61 +/-	400	4	0	4,055,617:03:9	
1675	97	205	02:07:33.933		DMS:	: *REVERSE	P7, TRACK 4, REV, TIC *199.87 +/-	400	4	0	4,055,628:31:6	
1676	97	205	02:07:35.133		DMS:	: *RUNUP	P7, TRACK 1, FWD, TIC 199.81 +/-	400	4	0	4,055,628:33:4	
1677	97	205	02:07:35.133		DMS:	: *TURNARND	P7, TRACK *1, *FWD, TIC *199.81 +/-	400	4	0	4,055,628:33:4	
1678	97	205	02:07:36.533		DMS:	: *AT_SPD	P7, TRACK 1, FWD, TIC *199.93 +/-	400	4	0	4,055,628:35:5	
1679	97	205	02:07:48.533		DMS:	: *AUTOSTOP	P7, TRACK 1, FWD, TIC *202.06 +/-	400	4	0	4,055,628:53:5	
1680	97	205	02:07:49.733		DMS:	: *READY	RDY, TRACK 1, FWD, TIC *202.12 +/-	400	4	0	4,055,628:55:3	
1681	97	205	02:20:00.200	488DE6C	6TMSED	NORM,EL6	Sci, Eng, and D/L Chan	400	4	0	4,055,640:59:0	
1682	97	205	02:25:04.200	20UF4A	7SAFE	STOP	S/P NO MOVEMENT	400	4	0	4,055,645:60:0	
1683	97	205	02:25:54.200	20UF4B	7SLEW	DIS,POS,0.0	Stator movement	400	4	0	4,055,646:44:0	
1684	97	205	02:27:26.200	176SN6A	6TMREC	RPB	RESUME PLAYBACK (PB CONTROL) Record Mode	400	4	0	4,055,648:00:0	
1685	97	205	02:30:00.200	488DE6D	6TMSED	NORM,AL6	Sci, Eng, and D/L Chan	400	4	0	4,055,650:49:0	
1686	97	205	03:24:20.866	488DE6E	6TMSED	NORM,AL5	Sci, Eng, and D/L Chan	400	4	0	4,055,704:26:0	
1687	97	205	03:54:12.866	488DF6A	6TMSED	NORM,AL4	Sci, Eng, and D/L Chan	400	4	0	4,055,733:75:0	
1688	97	205	04:30:28.866	488DF6B	6TMSED	NORM,AL5	Sci, Eng, and D/L Chan	400	4	0	4,055,769:63:0	
1689	97	205	05:18:59.533	488DF6C	6TMSED	FILL,AL5	Sci, Eng, and D/L Chan	400	4	0	4,055,817:61:0	
1690	97	205	05:48:05.533	488DF6D	6TMSED	NORM,AL5	Sci, Eng, and D/L Chan	400	4	0	4,055,846:41:0	
1691	97	205	07:10:28.866	488DF6E	6TMSED	NORM,AL6	Sci, Eng, and D/L Chan	400	4	0	4,055,927:85:0	
1692	97	205	09:01:51.533	488DG6A	6TMSED	FILL,AL6	Sci, Eng, and D/L Chan	400	4	0	4,056,038:08:0	
1693	97	205	09:05:40.866	488DG6B	6TMSED	FILL,AL8	Sci, Eng, and D/L Chan	400	4	0	4,056,041:79:0	
1694	97	205	09:07:20.866	488DG6C	6TMSED	NORM,AL8	Sci, Eng, and D/L Chan	400	4	0	4,056,043:47:0	
1695	97	205	13:47:26.133	488DG6D	6TMSED	FILL,AL8	Sci, Eng, and D/L Chan	400	4	0	4,056,320:48:0	
1696	97	205	14:10:51.466	488DG6E	6TMSED	NORM,AL8	Sci, Eng, and D/L Chan	400	4	0	4,056,343:63:0	
1697	97	205	18:54:28.800	488DH6A	6TMSED	NORM,AL7	Sci, Eng, and D/L Chan	400	4	0	4,056,624:18:0	
1698	97	205	19:39:16.800	488DH6B	6TMSED	NORM,AL6	Sci, Eng, and D/L Chan	400	4	0	4,056,668:46:0	
1699	97	205	20:39:00.800	488DH6C	6TMSED	NORM,AL4	Sci, Eng, and D/L Chan	400	4	0	4,056,727:53:0	
1700	97	205	21:06:44.800	488DH6D	6TMSED	NORM,AL5	Sci, Eng, and D/L Chan	400	4	0	4,056,755:01:0	
1701	97	205	22:47:00.800	488DH6E	6TMSED	NORM,AL6	Sci, Eng, and D/L Chan	400	4	0	4,056,854:16:0	
1702	97	206	03:03:00.800	488DI6A	6TMSED	NORM,AL5	Sci, Eng, and D/L Chan	400	4	0	4,057,107:33:0	
1703	97	206	03:54:12.800	488DI6B	6TMSED	NORM,AL4	Sci, Eng, and D/L Chan	400	4	0	4,057,158:00:0	

Line	YR	DOY	SCET - GMT	PSID	Command	Parameters	Description	GCM	GO	GS	RIM	MFI
1704	97	206	04:15:32.800	488D16C	6TMSED	NORM,AL5	Sci, Eng, and D/L Chan	400	4	0	4,057,179:09:0	
1705	97	206	05:11:00.800	488D16D	6TMSED	NORM,AL6	Sci, Eng, and D/L Chan	400	4	0	4,057,233:87:0	
1706	97	206	08:57:35.466	488D16E	6TMSED	FILL,AL6	Sci, Eng, and D/L Chan	400	4	0	4,057,458:04:0	
1707	97	206	09:01:24.800	488D16A	6TMSED	FILL,AL8	Sci, Eng, and D/L Chan	400	4	0	4,057,461:75:0	
1708	97	206	09:03:04.800	488DJ6B	6TMSED	NORM,AL8	Sci, Eng, and D/L Chan	400	4	0	4,057,463:43:0	
1709	97	206	18:54:28.800	488DK6A	6TMSED	NORM,AL7	Sci, Eng, and D/L Chan	400	4	0	4,058,048:34:0	
1710	97	206	19:24:20.800	488DK6B	6TMSED	NORM,AL6	Sci, Eng, and D/L Chan	400	4	0	4,058,077:83:0	
1711	97	206	20:34:44.733	488DK6C	6TMSED	NORM,AL4	Sci, Eng, and D/L Chan	400	4	0	4,058,147:49:0	
1712	97	206	21:40:52.733	488DK6D	6TMSED	NORM,AL5	Sci, Eng, and D/L Chan	400	4	0	4,058,212:86:0	
1713	97	206	21:58:56.733	488DK6E	6TMSED	FILL,AL5	Sci, Eng, and D/L Chan	400	4	0	4,058,230:74:0	
1714	97	206	22:28:02.733	488DL6A	6TMSED	NORM,AL5	Sci, Eng, and D/L Chan	400	4	0	4,058,259:54:0	
1715	97	207	03:47:48.733	488DL6B	6TMSED	NORM,AL4	Sci, Eng, and D/L Chan	400	4	0	4,058,575:77:0	
1716	97	207	04:11:16.733	488DL6C	6TMSED	NORM,AL5	Sci, Eng, and D/L Chan	400	4	0	4,058,599:05:0	
1717	97	207	05:08:55.400	488DM6A	6TMSED	FILL,AL5	Sci, Eng, and D/L Chan	400	4	0	4,058,656:06:0	
1718	97	207	05:30:12.733	488DM6B	6TMSED	FILL,AL6	Sci, Eng, and D/L Chan	400	4	0	4,058,677:11:0	
1719	97	207	05:36:09.400	488DM6C	6TMSED	NORM,AL6	Sci, Eng, and D/L Chan	400	4	0	4,058,683:00:0	
1720	97	207	08:53:19.400	488DM6D	6TMSED	FILL,AL6	Sci, Eng, and D/L Chan	400	4	0	4,058,878:00:0	
1721	97	207	08:57:08.733	488DM6E	6TMSED	FILL,AL8	Sci, Eng, and D/L Chan	400	4	0	4,058,881:71:0	
1722	97	207	08:58:48.733	488DN6A	6TMSED	NORM,AL8	Sci, Eng, and D/L Chan	400	4	0	4,058,883:39:0	
1723	97	207	18:43:48.733	488DO6A	6TMSED	NORM,AL7	Sci, Eng, and D/L Chan	400	4	0	4,059,462:00:0	
1724	97	207	19:09:24.733	488DO6B	6TMSED	NORM,AL4	Sci, Eng, and D/L Chan	400	4	0	4,059,487:29:0	
1725	97	207	20:28:20.733	488DO6C	6TMSED	NORM,AL4	Sci, Eng, and D/L Chan	400	4	0	4,059,565:35:0	
1726	97	207	21:06:44.733	488DO6D	6TMSED	NORM,AL5	Sci, Eng, and D/L Chan	400	4	0	4,059,603:33:0	
1727	97	207	23:36:04.733	488DO6E	6TMSED	NORM,AL6	Sci, Eng, and D/L Chan	400	4	0	4,059,751:05:0	
1728	97	208	01:54:44.733	488DP6A	6TMSED	NORM,AL5	Sci, Eng, and D/L Chan	400	4	0	4,059,888:18:0	
1729	97	208	03:43:32.666	488DP6B	6TMSED	NORM,AL4	Sci, Eng, and D/L Chan	400	4	0	4,059,995:73:0	
1730	97	208	04:07:00.666	488DP6C	6TMSED	NORM,AL5	Sci, Eng, and D/L Chan	400	4	0	4,060,019:01:0	
1731	97	208	05:25:56.666	488DP6D	6TMSED	NORM,AL6	Sci, Eng, and D/L Chan	400	4	0	4,060,097:07:0	
1732	97	208	08:46:55.333	488DQ6A	6TMSED	FILL,AL6	Sci, Eng, and D/L Chan	400	4	0	4,060,295:77:0	
1733	97	208	08:50:44.666	488DQ6B	6TMSED	FILL,AL8	Sci, Eng, and D/L Chan	400	4	0	4,060,299:57:0	
1734	97	208	08:52:24.666	488DQ6C	6TMSED	NORM,AL8	Sci, Eng, and D/L Chan	400	4	0	4,060,301:25:0	
1735	97	208	11:30:00.000	418JB6A	6BUFLO		2 MUB Buffer low water m	400	4	0	4,060,457:12:0	
1736	97	208	11:30:00.000	418JB6B	6BUFHI		5 MUB Buffer high water	400	4	0	4,060,457:12:0	
1737	97	208	12:21:14.000	488DQ6D	6TMSED	FILL,AL8	Sci, Eng, and D/L Chan	400	4	0	4,060,507:73:0	
1738	97	208	15:00:00.000	418JC6A	6BUFLO		2 MUB Buffer low water m	400	4	0	4,060,664:75:0	
1739	97	208	15:00:00.000	418JC6B	6BUFHI		10 MUB Buffer high water	400	4	0	4,060,664:75:0	
1740	97	208	15:09:54.000	488DR6A	6TMSED	NORM,AL8	Sci, Eng, and D/L Chan	400	4	0	4,060,674:56:0	
1741	97	208	18:43:48.666	488DR6B	6TMSED	NORM,AL7	Sci, Eng, and D/L Chan	400	4	0	4,060,886:16:0	
1742	97	208	18:58:44.666	488DR6C	6TMSED	NORM,AL6	Sci, Eng, and D/L Chan	400	4	0	4,060,900:86:0	
1743	97	208	20:24:04.666	488DR6D	6TMSED	NORM,AL4	Sci, Eng, and D/L Chan	400	4	0	4,060,985:31:0	
1744	97	208	21:06:44.666	488DR6E	6TMSED	NORM,AL5	Sci, Eng, and D/L Chan	400	4	0	4,061,027:49:0	
1745	97	209	03:39:16.666	488DS6A	6TMSED	NORM,AL4	Sci, Eng, and D/L Chan	400	4	0	4,061,415:69:0	
1746	97	209	04:36:52.666	488DS6B	6TMSED	NORM,AL5	Sci, Eng, and D/L Chan	400	4	0	4,061,472:66:0	
1747	97	209	05:03:52.666	488DS6C	6TMSED	FILL,AL5	Sci, Eng, and D/L Chan	400	4	0	4,061,499:39:0	
1748	97	209	05:32:58.666	488DS6D	6TMSED	NORM,AL5	Sci, Eng, and D/L Chan	400	4	0	4,061,528:19:0	
1749	97	209	08:46:28.600	488DS6E	6TMSED	NORM,AL7	Sci, Eng, and D/L Chan	400	4	0	4,061,719:53:0	
1750	97	209	08:48:18.600	488DT6A	6TMSED	FILL,AL7	Sci, Eng, and D/L Chan	400	4	0	4,061,721:36:0	
1751	97	209	08:50:44.600	488DT6B	6TMSED	FILL,AL8	Sci, Eng, and D/L Chan	400	4	0	4,061,723:73:0	
1752	97	209	08:52:24.600	488DT6C	6TMSED	NORM,AL8	Sci, Eng, and D/L Chan	400	4	0	4,061,725:41:0	
1753	97	209	12:46:31.933	176BI6A	6TMREC	PPB	PAUSE PLAYBACK (PB CONTROL) Record Mode C	400	4	0	4,061,957:00:0	
1754	97	209	12:49:33.266	165BP4A	7SCAN	NORM,317.743999,	Check S/P Position	400	4	0	4,061,959:90:0	
1755	97	209	12:53:41.933	20UK4A	7SAFE	STOP	S/P NO MOVEMENT	400	4	0	4,061,964:08:0	
1756	97	209	12:54:31.933	20UK4B	7SLEW	DIS.POS.0.0	Stator movement	400	4	0	4,061,964:83:0	
1757	97	209	12:55:37.933	176BJ6A	6TMREC	RPB	RESUME PLAYBACK (PB CONTROL) Record Mode	400	4	0	4,061,966:00:0	
1758	97	209	13:27:19.266	488DT6D	6TMSED	FILL,AL8	Sci, Eng, and D/L Chan	400	4	0	4,061,997:31:0	

Line	YR	DOY	SCET - GMT	PSID	Command	Parameters	Description	GCM	GO	GS	RIM	MFI
1759	97	209	13:50:43.933	488DT6E	6TMSED	NORM,AL8	Sci, Eng, and D/L Chan	400	4	0	4,062,020:45:0	
1760	97	209	15:49:32.600	176SD6A	6TMREC	PPB	PAUSE PLAYBACK (PB CONTROL) Record Mode C	400	4	0	4,062,138:00:0	
1761	97	209	15:59:59.933		DMS:	: READY	RDY, TRACK 1, FWD, TIC 202.12 +/-	400	4	0	4,062,148:31:0	
1762	97	209	16:00:00.000	20A3EX	37HR	Final Condition	Replacement Heaters OFF	400	4	0	4,062,148:31:1	
1763	97	209	16:00:00.000	20A3EY	37C1PR	Final Condition	Optics Heater 1 OFF (primary relay)	400	4	0	4,062,148:31:1	
1764	97	209	16:00:00.000	20A3EZ	37C2PR	Final Condition	Optics Heater 2 OFF (primary relay)	400	4	0	4,062,148:31:1	
1765	97	209	16:00:00.000	20A3FA	37F1PR	Final Condition	Radiator Flash Heater OFF (primary relay)	400	4	0	4,062,148:31:1	
1766	97	209	16:00:00.000	20A3FB	37F2PR	Final Condition	Shield Flash Heater OFF (primary relay)	400	4	0	4,062,148:31:1	
1767	97	209	16:00:00.000	20A3FD	40HRPR	Final Condition	RCT Heater OFF (primary relay)	400	4	0	4,062,148:31:1	
1768	97	209	16:00:00.000	20A3FE	40T1P	Final Condition	PCT Heater 1 ON (primary relay)	400	4	0	4,062,148:31:1	
1769	97	209	16:00:00.000	20A3FF	40T2	Final Condition	PCT Heater 2 ON	400	4	0	4,062,148:31:1	
1770	97	209	16:00:00.000	20A3EW	37A	Final Condition	NIMS Power ON	400	4	0	4,062,148:31:1	

Sequence:		C09CGN		Created: 7/30/97		Begin: 97-209/16:00:00		Finish: 97-257/00:00:00			
Line	YR	DOY	SCET - GMT	PSID	Command Parameters	Description	GCM	GO	GS	RIM	RFI
1	97	209	15:59:59.933		DMS: : READY	RDY, TRACK 1, FWD, TIC 202.12 +/-	400	4	0	4,062,148:31:0	
2	97	209	16:00:00.000	20A3EW	37A Initial Condition	NIMS Power ON	400	4	0	4,062,148:31:1	
3	97	209	16:00:00.000	20A3EX	37HR Initial Condition	Replacement Heaters OFF	400	4	0	4,062,148:31:1	
4	97	209	16:00:00.000	20A3EY	37C1PR Initial Condition	Optics Heater 1 OFF (primary relay)	400	4	0	4,062,148:31:1	
5	97	209	16:00:00.000	20A3EZ	37C2PR Initial Condition	Optics Heater 2 OFF (primary relay)	400	4	0	4,062,148:31:1	
6	97	209	16:00:00.000	20A3FA	37F1PR Initial Condition	Radiator Flash Heater OFF (primary relay)	400	4	0	4,062,148:31:1	
7	97	209	16:00:00.000	20A3FB	37F2PR Initial Condition	Shield Flash Heater OFF (primary relay)	400	4	0	4,062,148:31:1	
8	97	209	16:00:00.000	20A3FD	40HRPR Initial Condition	PCT Heater OFF (primary relay)	400	4	0	4,062,148:31:1	
9	97	209	16:00:00.000	20A3FE	40T1P Initial Condition	PCT Heater 1 ON (primary relay)	400	4	0	4,062,148:31:1	
10	97	209	16:00:00.000	20A3FF	40T2 Initial Condition	PCT Heater 2 ON	400	4	0	4,062,148:31:1	
11	97	209	16:01:39.266	432JC6B	6RTDS2 NIMDSL,AACNCG,RT	NIMS R/T DESELECT	400	4	0	4,062,149:89:0	
12	97	209	16:01:39.933	432JC431A6A	6RCDSL DDSDSL,PLSDSL,EP	Record Deselect (DDS o	400	4	0	4,062,149:90:0	
13	97	209	16:01:40.600	418JD6A	6BUFLO 2	MUB Buffer low water m	400	4	0	4,062,150:00:0	
14	97	209	16:01:40.600	432JC6D	6RTSL2 NIMNCG,AACSEL,RT	AACS SELECT	400	4	0	4,062,150:00:0	
15	97	209	16:01:40.600	432JC6C	6RTSL1	R/T Select of DDS and	400	4	0	4,062,150:00:0	
16	97	209	16:01:40.600	488A6A	6TMSED NORM,AL8	Sci, Eng, and D/L Chan	400	4	0	4,062,150:00:0	
17	97	209	16:01:40.600	418JD6B	6BUFHI 10	MUB Buffer high water	400	4	0	4,062,150:00:0	
18	97	209	16:02:03.933	20UG4A	7SAFE STOP	SIP NO MOVEMENT	400	4	0	4,062,150:35:0	
19	97	209	16:02:53.933	20UG4B	7SLEW DIS,POS,0,0	Stator movement	400	4	0	4,062,151:19:0	
20	97	209	16:04:42.600	176SO6A	6TMREC RPB	RESUME PLAYBACK (PB CONTROL) Record Mode	400	4	0	4,062,153:00:0	
21	97	209	18:39:32.600	488A6B	6TMSED NORM,AL7	Sci, Eng, and D/L Chan	400	4	0	4,062,306:12:0	
22	97	209	18:43:48.600	488A6C	6TMSED NORM,AL6	Sci, Eng, and D/L Chan	400	4	0	4,062,310:32:0	
23	97	209	20:19:48.600	488A6D	6TMSED NORM,AL5	Sci, Eng, and D/L Chan	400	4	0	4,062,405:27:0	
24	97	209	20:24:24.600	488A6E	6TMSED FILL,AL5	Sci, Eng, and D/L Chan	400	4	0	4,062,409:77:0	
25	97	209	20:28:20.600	488B6A	6TMSED FILL,AL4	Sci, Eng, and D/L Chan	400	4	0	4,062,413:67:0	
26	97	209	20:45:55.266	488B6B	6TMSED NORM,AL4	Sci, Eng, and D/L Chan	400	4	0	4,062,431:11:0	
27	97	209	21:06:44.600	488B6C	6TMSED NORM,AL5	Sci, Eng, and D/L Chan	400	4	0	4,062,451:65:0	
28	97	210	03:32:52.600	488C6A	6TMSED NORM,AL4	Sci, Eng, and D/L Chan	400	4	0	4,062,833:55:0	
29	97	210	04:07:00.600	488C6B	6TMSED NORM,AL5	Sci, Eng, and D/L Chan	400	4	0	4,062,867:33:0	
30	97	210	05:47:16.600	488C6C	6TMSED NORM,AL6	Sci, Eng, and D/L Chan	400	4	0	4,062,966:48:0	
31	97	210	08:38:23.266	488C6D	6TMSED FILL,AL6	Sci, Eng, and D/L Chan	400	4	0	4,063,135:69:0	
32	97	210	08:42:12.600	488C6E	6TMSED FILL,AL8	Sci, Eng, and D/L Chan	400	4	0	4,063,139:49:0	
33	97	210	08:43:52.600	488D6A	6TMSED NORM,AL8	Sci, Eng, and D/L Chan	400	4	0	4,063,141:17:0	
34	97	210	18:33:08.533	488E6A	6TMSED NORM,AL6	Sci, Eng, and D/L Chan	400	4	0	4,063,723:89:0	
35	97	210	19:04:46.533	488E6B	6TMSED FILL,AL6	Sci, Eng, and D/L Chan	400	4	0	4,063,755:24:0	
36	97	210	20:13:24.533	488E6C	6TMSED FILL,AL4	Sci, Eng, and D/L Chan	400	4	0	4,063,823:13:0	
37	97	210	20:41:37.200	488E6D	6TMSED NORM,AL4	Sci, Eng, and D/L Chan	400	4	0	4,063,851:04:0	
38	97	210	21:06:44.533	488E6E	6TMSED NORM,AL5	Sci, Eng, and D/L Chan	400	4	0	4,063,875:81:0	
39	97	211	01:02:22.533	488F6A	6TMSED FILL,AL5	Sci, Eng, and D/L Chan	400	4	0	4,064,108:85:0	
40	97	211	03:01:53.866	488F6B	6TMSED NORM,AL5	Sci, Eng, and D/L Chan	400	4	0	4,064,227:13:0	
41	97	211	06:02:12.533	488F6C	6TMSED NORM,AL6	Sci, Eng, and D/L Chan	400	4	0	4,064,405:43:0	
42	97	211	07:43:39.866	488G6A	6TMSED FILL,AL6	Sci, Eng, and D/L Chan	400	4	0	4,064,505:74:0	
43	97	211	08:42:12.533	488G6B	6TMSED FILL,AL8	Sci, Eng, and D/L Chan	400	4	0	4,064,563:65:0	
44	97	211	09:43:55.200	488G6C	6TMSED NORM,AL8	Sci, Eng, and D/L Chan	400	4	0	4,064,624:68:0	
45	97	211	18:28:52.533	488H6A	6TMSED NORM,AL6	Sci, Eng, and D/L Chan	400	4	0	4,065,143:85:0	
46	97	211	20:09:08.533	488H6B	6TMSED NORM,AL5	Sci, Eng, and D/L Chan	400	4	0	4,065,243:09:0	
47	97	211	20:15:05.200	488H6C	6TMSED FILL,AL5	Sci, Eng, and D/L Chan	400	4	0	4,065,248:89:0	
48	97	211	22:09:11.800	488H6D	6TMSED NORM,AL5	Sci, Eng, and D/L Chan	400	4	0	4,065,361:76:0	
49	97	212	03:32:52.466	488I6A	6TMSED NORM,AL4	Sci, Eng, and D/L Chan	400	4	0	4,065,681:87:0	
50	97	212	04:02:44.466	488I6B	6TMSED NORM,AL5	Sci, Eng, and D/L Chan	400	4	0	4,065,711:45:0	
51	97	212	06:10:44.466	488I6C	6TMSED NORM,AL6	Sci, Eng, and D/L Chan	400	4	0	4,065,838:08:0	
52	97	212	08:27:43.133	488I6D	6TMSED FILL,AL6	Sci, Eng, and D/L Chan	400	4	0	4,065,973:51:0	
53	97	212	08:31:32.466	488I6E	6TMSED FILL,AL8	Sci, Eng, and D/L Chan	400	4	0	4,065,977:31:0	

Line	YR	DOY	SCET - GMT	PSID	Command	Parameters	Description	GCM	GO	GS	RIM	MFI
54	97	212	08:33:12.466	488J6A	6TMSED	NORM,AL8	Sci, Eng, and D/L Chan	400	4	0	4,065,978:90:0	
55	97	212	14:34:10.466	488K6A	6TMSED	FILL,AL8	Sci, Eng, and D/L Chan	400	4	0	4,066,335:90:0	
56	97	212	16:27:05.133	488K6B	6TMSED	NORM,AL8	Sci, Eng, and D/L Chan	400	4	0	4,066,447:60:0	
57	97	212	18:24:36.466	488K6C	6TMSED	NORM,AL6	Sci, Eng, and D/L Chan	400	4	0	4,066,563:81:0	
58	97	212	20:04:52.466	488K6D	6TMSED	NORM,AL5	Sci, Eng, and D/L Chan	400	4	0	4,066,663:05:0	
59	97	212	20:09:27.800	488K6E	6TMSED	FILL,AL5	Sci, Eng, and D/L Chan	400	4	0	4,066,667:54:0	
60	97	212	20:13:24.466	488L6A	6TMSED	FILL,AL4	Sci, Eng, and D/L Chan	400	4	0	4,066,671:45:0	
61	97	212	20:20:59.133	488L6B	6TMSED	NORM,AL4	Sci, Eng, and D/L Chan	400	4	0	4,066,678:90:0	
62	97	212	21:31:01.133	488L6C	6TMSED	FILL,AL4	Sci, Eng, and D/L Chan	400	4	0	4,066,748:23:0	
63	97	212	22:04:40.466	488L6D	6TMSED	NORM,AL4	Sci, Eng, and D/L Chan	400	4	0	4,066,781:49:0	
64	97	212	22:21:24.466	488L6E	6TMSED	NORM,AL5	Sci, Eng, and D/L Chan	400	4	0	4,066,798:08:0	
65	97	213	02:28:52.466	488M6A	6TMSED	NORM,AL4	Sci, Eng, and D/L Chan	400	4	0	4,067,042:76:0	
66	97	213	04:02:44.466	488M6B	6TMSED	NORM,AL5	Sci, Eng, and D/L Chan	400	4	0	4,067,135:61:0	
67	97	213	04:43:46.400	488M6C	6TMSED	FILL,AL5	Sci, Eng, and D/L Chan	400	4	0	4,067,176:23:0	
68	97	213	05:12:52.400	488M6D	6TMSED	NORM,AL5	Sci, Eng, and D/L Chan	400	4	0	4,067,205:03:0	
69	97	213	05:48:20.400	488M6E	6TMSED	FILL,AL5	Sci, Eng, and D/L Chan	400	4	0	4,067,240:10:0	
70	97	213	06:25:40.400	488N6A	6TMSED	FILL,AL6	Sci, Eng, and D/L Chan	400	4	0	4,067,277:03:0	
71	97	213	08:31:32.400	488N6B	6TMSED	FILL,AL8	Sci, Eng, and D/L Chan	400	4	0	4,067,401:47:0	
72	97	213	18:24:36.400	488O6A	6TMSED	FILL,AL6	Sci, Eng, and D/L Chan	400	4	0	4,067,988:06:0	
73	97	213	19:58:28.400	488O6B	6TMSED	FILL,AL5	Sci, Eng, and D/L Chan	400	4	0	4,068,080:82:0	
74	97	213	20:04:52.400	488O6C	6TMSED	FILL,AL4	Sci, Eng, and D/L Chan	400	4	0	4,068,087:21:0	
75	97	213	21:02:28.400	488O6D	6TMSED	FILL,AL5	Sci, Eng, and D/L Chan	400	4	0	4,068,144:18:0	
76	97	214	03:24:20.400	488P6A	6TMSED	FILL,AL4	Sci, Eng, and D/L Chan	400	4	0	4,068,521:79:0	
77	97	214	03:56:20.400	488P6B	6TMSED	FILL,AL5	Sci, Eng, and D/L Chan	400	4	0	4,068,553:47:0	
78	97	214	06:32:04.400	488P6C	6TMSED	FILL,AL6	Sci, Eng, and D/L Chan	400	4	0	4,068,707:49:0	
79	97	214	08:27:16.400	488P6D	6TMSED	FILL,AL8	Sci, Eng, and D/L Chan	400	4	0	4,068,821:43:0	
80	97	214	16:20:21.666	488Q6A	6TMSED	NORM,AL8	Sci, Eng, and D/L Chan	400	4	0	4,069,289:33:0	
81	97	214	17:14:10.333	488Q6B	6TMSED	FILL,AL8	Sci, Eng, and D/L Chan	400	4	0	4,069,342:53:0	
82	97	214	18:13:56.333	488Q6C	6TMSED	FILL,AL6	Sci, Eng, and D/L Chan	400	4	0	4,069,401:63:0	
83	97	214	18:42:36.333	488Q6D	6TMSED	NORM,AL6	Sci, Eng, and D/L Chan	400	4	0	4,069,430:04:0	
84	97	214	19:54:12.333	488Q6E	6TMSED	NORM,AL4	Sci, Eng, and D/L Chan	400	4	0	4,069,500:78:0	
85	97	214	21:02:28.333	488R6A	6TMSED	NORM,AL5	Sci, Eng, and D/L Chan	400	4	0	4,069,568:34:0	
86	97	214	21:23:00.333	488R6B	6TMSED	NORM,AL5	Sci, Eng, and D/L Chan	400	4	0	4,069,588:62:0	
87	97	214	21:27:22.333	176SE6A	6TMREC	PPB	PAUSE PLAYBACK (PB CONTROL) Record Mode C	400	4	0	4,069,593:00:0	
88	97	214	21:32:00.333	20UV4B	7SLEW	DIS,POS,0.0	Stator movement	400	4	0	4,069,597:53:0	
89	97	214	21:33:00.333	20UV4D	7MODE	UNSTW	PAUSE PLAYBACK (PB CONTROL) Record Mode C	400	4	0	4,069,598:52:0	
90	97	214	21:35:00.333	20UV4E	7SAFE	UNSTW	Stator movement	400	4	0	4,069,600:50:0	
91	97	214	21:40:30.333	20UV4G	7VENT	0.611,1.333,8	ALERT -- Thruster fire	400	4	0	4,069,605:90:0	
92	97	214	21:40:31.000	20UV4H	7VENT	0.611,10.989,8	ALERT -- Thruster fire	400	4	0	4,069,606:00:0	
93	97	214	21:40:51.000	20UV4I	7VENT	0.611,1.333,6	ALERT -- Thruster fire	400	4	0	4,069,606:30:0	
94	97	214	21:40:51.666	20UV4J	7VENT	0.611,10.989,6	ALERT -- Thruster fire	400	4	0	4,069,606:31:0	
95	97	214	21:41:11.666	20UV4K	7VENT	0.611,1.333,4	ALERT -- Thruster fire	400	4	0	4,069,606:61:0	
96	97	214	21:41:12.333	20UV4L	7VENT	0.611,0.666,5	ALERT -- Thruster fire	400	4	0	4,069,606:62:0	
97	97	214	21:41:22.333	20UV4M	7VENT	0.611,1.333,4	ALERT -- Thruster fire	400	4	0	4,069,606:77:0	
98	97	214	21:41:23.000	20UV4N	7VENT	0.611,0.666,5	ALERT -- Thruster fire	400	4	0	4,069,606:78:0	
99	97	214	21:41:33.000	20UV4O	7VENT	1.211,1.333,10	ALERT -- Thruster fire	400	4	0	4,069,607:02:0	
100	97	214	21:41:33.666	20UV4P	7VENT	1.211,0.666,12	ALERT -- Thruster fire	400	4	0	4,069,607:03:0	
101	97	214	21:43:20.333	20UV4S	7VENT	0.611,1.333,7	ALERT -- Thruster fire	400	4	0	4,069,608:72:0	
102	97	214	21:43:21.000	20UV4T	7VENT	0.611,10.989,7	ALERT -- Thruster fire	400	4	0	4,069,608:73:0	
103	97	214	21:43:41.000	20UV4U	7VENT	0.611,1.333,1	ALERT -- Thruster fire	400	4	0	4,069,609:12:0	
104	97	214	21:43:41.666	20UV4V	7VENT	0.611,10.989,1	ALERT -- Thruster fire	400	4	0	4,069,609:13:0	
105	97	214	21:44:01.666	20UV4AC	7VENT	0.611,1.333,2	ALERT -- Thruster fire	400	4	0	4,069,609:43:0	
106	97	214	21:44:02.333	20UV4AD	7VENT	0.611,0.666,3	ALERT -- Thruster fire	400	4	0	4,069,609:44:0	
107	97	214	21:44:12.333	20UV4AE	7VENT	0.611,1.333,2	ALERT -- Thruster fire	400	4	0	4,069,609:59:0	
108	97	214	21:44:13.000	20UV4AF	7VENT	0.611,0.666,3	ALERT -- Thruster fire	400	4	0	4,069,609:60:0	

Line	YR	DOY	SCET - GMT	PSID	Command	Parameters	Description	GCM	GO	GS	RIM	MFI
109	97	214	21:44:23.000	20UV4W	7VENT	1.211,1.333,9	ALERT -- Thruster fire	400	4	0	4,069,609:75:0	
110	97	214	21:44:23.666	20UV4X	7VENT	1.211,0.666,11	ALERT -- Thruster fire	400	4	0	4,069,609:76:0	
111	97	214	21:45:20.333	20UV4Z	7MODE	CRU	AACS CRUISE MODE	400	4	0	4,069,610:70:0	
112	97	214	22:04:59.666	432PH431A6A	6RCDSL	DDSNCG,PLSNCG,EP	Record Deselect (DDS o	400	4	0	4,069,630:19:0	
113	97	214	22:05:00.333	432PH6A	6RTSL1		R/T Select of DDS and	400	4	0	4,069,630:20:0	
114	97	214	22:11:04.333	20UH4A	7SAFE	STOP	SIP NO MOVEMENT	400	4	0	4,069,636:20:0	
115	97	214	22:11:54.333	20UH4B	7SLEW	DIS,POS,0.0	Stator movement	400	4	0	4,069,637:04:0	
116	97	214	22:14:53.666	176SP6A	6TMREC	RPB	RESUME PLAYBACK (PB CONTROL) Record Mode	400	4	0	4,069,640:00:0	
117	97	214	23:36:00.333	488R6C	6TMSED	NORM,AL5	Sci, Eng, and D/L Chan	400	4	0	4,069,720:20:0	
118	97	214	23:57:01.000	176BK6A	6TMREC	PPB	PAUSE PLAYBACK (PB CONTROL) Record Mode C	400	4	0	4,069,741:00:0	
119	97	215	00:00:02.333	165BQ4A	7SCAN	NORM,317.743999,	Check SIP Position	400	4	0	4,069,743:90:0	
120	97	215	00:04:11.000	20UA4A	7SAFE	STOP	SIP NO MOVEMENT	400	4	0	4,069,748:08:0	
121	97	215	00:05:01.000	20UA4B	7SLEW	DIS,POS,0.0	Stator movement	400	4	0	4,069,748:83:0	
122	97	215	00:06:07.000	176BL6A	6TMREC	RPB	RESUME PLAYBACK (PB CONTROL) Record Mode	400	4	0	4,069,750:00:0	
123	97	215	03:13:40.333	488S6A	6TMSED	NORM,AL4	Sci, Eng, and D/L Chan	400	4	0	4,069,935:45:0	
124	97	215	04:36:52.333	488S6B	6TMSED	NORM,AL5	Sci, Eng, and D/L Chan	400	4	0	4,070,017:71:0	
125	97	215	04:38:44.333	488S6C	6TMSED	FILL,AL5	Sci, Eng, and D/L Chan	400	4	0	4,070,019:57:0	
126	97	215	05:07:50.333	488S6D	6TMSED	NORM,AL5	Sci, Eng, and D/L Chan	400	4	0	4,070,048:37:0	
127	97	215	08:20:52.333	488S6E	6TMSED	NORM,AL7	Sci, Eng, and D/L Chan	400	4	0	4,070,239:29:0	
128	97	215	08:44:02.333	488T6A	6TMSED	FILL,AL7	Sci, Eng, and D/L Chan	400	4	0	4,070,262:21:0	
129	97	215	08:46:28.333	488T6B	6TMSED	FILL,AL8	Sci, Eng, and D/L Chan	400	4	0	4,070,264:58:0	
130	97	215	08:48:08.333	488T6C	6TMSED	NORM,AL8	Sci, Eng, and D/L Chan	400	4	0	4,070,266:26:0	
131	97	215	13:02:12.333	488T6D	6TMSED	FILL,AL8	Sci, Eng, and D/L Chan	400	4	0	4,070,517:51:0	
132	97	215	13:25:37.000	488T6E	6TMSED	NORM,AL8	Sci, Eng, and D/L Chan	400	4	0	4,070,540:65:0	
133	97	215	18:09:40.266	488U6A	6TMSED	NORM,AL6	Sci, Eng, and D/L Chan	400	4	0	4,070,821:59:0	
134	97	215	19:49:56.266	488U6B	6TMSED	NORM,AL4	Sci, Eng, and D/L Chan	400	4	0	4,070,920:74:0	
135	97	215	19:52:39.600	488U6C	6TMSED	FILL,AL4	Sci, Eng, and D/L Chan	400	4	0	4,070,923:46:0	
136	97	215	20:56:04.266	488U6D	6TMSED	FILL,AL5	Sci, Eng, and D/L Chan	400	4	0	4,070,986:20:0	
137	97	215	21:55:03.600	488U6E	6TMSED	NORM,AL5	Sci, Eng, and D/L Chan	400	4	0	4,071,044:51:0	
138	97	216	03:13:40.266	488V6A	6TMSED	NORM,AL4	Sci, Eng, and D/L Chan	400	4	0	4,071,359:61:0	
139	97	216	03:47:48.266	488V6B	6TMSED	NORM,AL5	Sci, Eng, and D/L Chan	400	4	0	4,071,393:39:0	
140	97	216	06:17:08.266	488V6C	6TMSED	NORM,AL6	Sci, Eng, and D/L Chan	400	4	0	4,071,541:11:0	
141	97	216	08:12:46.933	488V6D	6TMSED	FILL,AL6	Sci, Eng, and D/L Chan	400	4	0	4,071,655:45:0	
142	97	216	08:16:36.266	488V6E	6TMSED	FILL,AL8	Sci, Eng, and D/L Chan	400	4	0	4,071,659:25:0	
143	97	216	08:18:16.266	488W6A	6TMSED	NORM,AL8	Sci, Eng, and D/L Chan	400	4	0	4,071,660:84:0	
144	97	216	18:09:40.266	488X6A	6TMSED	NORM,AL6	Sci, Eng, and D/L Chan	400	4	0	4,072,245:75:0	
145	97	216	19:43:32.266	488X6B	6TMSED	NORM,AL5	Sci, Eng, and D/L Chan	400	4	0	4,072,338:60:0	
146	97	216	19:54:12.266	488X6C	6TMSED	NORM,AL4	Sci, Eng, and D/L Chan	400	4	0	4,072,349:19:0	
147	97	216	20:51:48.266	488X6D	6TMSED	NORM,AL5	Sci, Eng, and D/L Chan	400	4	0	4,072,406:16:0	
148	97	217	03:03:00.200	488Y6A	6TMSED	NORM,AL4	Sci, Eng, and D/L Chan	400	4	0	4,072,773:27:0	
149	97	217	03:15:00.200	488Y6B	6TMSED	NORM,EL4	Sci, Eng, and D/L Chan	400	4	0	4,072,785:15:0	
150	97	217	04:26:12.200	488Y6C	6TMSED	NORM,EL5	Sci, Eng, and D/L Chan	400	4	0	4,072,855:53:0	
151	97	217	04:28:43.533	488Y6D	6TMSED	FILL,EL5	Sci, Eng, and D/L Chan	400	4	0	4,072,858:07:0	
152	97	217	04:57:49.533	488Y6E	6TMSED	NORM,EL5	Sci, Eng, and D/L Chan	400	4	0	4,072,886:78:0	
153	97	217	08:12:20.200	488Z6A	6TMSED	NORM,EL7	Sci, Eng, and D/L Chan	400	4	0	4,073,079:21:0	
154	97	217	08:29:06.200	488Z6B	6TMSED	FILL,EL7	Sci, Eng, and D/L Chan	400	4	0	4,073,095:74:0	
155	97	217	08:31:32.200	488Z6C	6TMSED	FILL,EL8	Sci, Eng, and D/L Chan	400	4	0	4,073,098:20:0	
156	97	217	08:33:12.200	488Z6D	6TMSED	NORM,EL8	Sci, Eng, and D/L Chan	400	4	0	4,073,099:79:0	
157	97	217	12:52:11.533	488Z6E	6TMSED	FILL,EL8	Sci, Eng, and D/L Chan	400	4	0	4,073,356:01:0	
158	97	217	13:15:36.200	488AA6A	6TMSED	NORM,EL8	Sci, Eng, and D/L Chan	400	4	0	4,073,379:15:0	
159	97	217	18:03:16.200	488AA6B	6TMSED	NORM,EL6	Sci, Eng, and D/L Chan	400	4	0	4,073,663:61:0	
160	97	217	19:43:32.200	488AB6A	6TMSED	NORM,EL5	Sci, Eng, and D/L Chan	400	4	0	4,073,762:76:0	
161	97	217	19:49:56.200	488AB6B	6TMSED	NORM,EL4	Sci, Eng, and D/L Chan	400	4	0	4,073,769:15:0	
162	97	217	20:47:32.200	488AB6C	6TMSED	NORM,EL5	Sci, Eng, and D/L Chan	400	4	0	4,073,826:12:0	
163	97	218	01:30:01.533	488AB6D	6TMSED	FILL,EL5	Sci, Eng, and D/L Chan	400	4	0	4,074,105:47:0	

Line	YR	DOY	SCET - GMT	PSID	Command	Parameters	Description	GCM	GO	GS	RIM	MFI
164	97	218	01:42:33.533	488AB6E	6TMSED	NORM,EL5	Sci, Eng, and D/L Chan	400	4	0	4,074,117:83:0	
165	97	218	02:58:44.200	488AC6A	6TMSED	NORM,EL4	Sci, Eng, and D/L Chan	400	4	0	4,074,193:23:0	
166	97	218	03:37:08.200	488AC6B	6TMSED	NORM,EL5	Sci, Eng, and D/L Chan	400	4	0	4,074,231:21:0	
167	97	218	05:40:52.200	488AC6C	6TMSED	NORM,EL6	Sci, Eng, and D/L Chan	400	4	0	4,074,353:55:0	
168	97	218	08:00:00.133	488AC6D	6TMSED	NORM,HL6	Sci, Eng, and D/L Chan	400	4	0	4,074,491:19:0	
169	97	218	08:00:00.800	282NK432A431A6A	6RCDSL	DDSNCG,PLSDSL,EP	Record Deselect (DDS o	400	4	0	4,074,491:20:0	
170	97	218	08:00:01.466	282NK432A6A	6RTSL1		R/T Select of DDS and	400	4	0	4,074,491:21:0	
171	97	218	08:02:06.800	488AC6E	6TMSED	FILL,HL6	Sci, Eng, and D/L Chan	400	4	0	4,074,493:27:0	
172	97	218	08:05:56.133	488AD6A	6TMSED	FILL,HL8	Sci, Eng, and D/L Chan	400	4	0	4,074,497:07:0	
173	97	218	08:07:36.133	488AD6B	6TMSED	NORM,HL8	Sci, Eng, and D/L Chan	400	4	0	4,074,498:66:0	
174	97	218	17:59:00.133	488AE6A	6TMSED	NORM,HL6	Sci, Eng, and D/L Chan	400	4	0	4,075,083:57:0	
175	97	218	18:00:00.133	488AE6B	6TMSED	NORM,EL6	Sci, Eng, and D/L Chan	400	4	0	4,075,084:56:0	
176	97	218	18:00:00.800	282NL432A431A6A	6RCDSL	DDSNCG,PLSDSL,EP	Record Deselect (DDS o	400	4	0	4,075,084:57:0	
177	97	218	18:00:01.466	282NL432A6A	6RTSL1		R/T Select of DDS and	400	4	0	4,075,084:58:0	
178	97	218	19:39:16.133	488AE6C	6TMSED	NORM,EL4	Sci, Eng, and D/L Chan	400	4	0	4,075,182:72:0	
179	97	218	20:36:52.133	488AE6D	6TMSED	NORM,EL5	Sci, Eng, and D/L Chan	400	4	0	4,075,239:69:0	
180	97	219	03:13:40.133	488AF6A	6TMSED	NORM,EL4	Sci, Eng, and D/L Chan	400	4	0	4,075,632:18:0	
181	97	219	03:30:44.133	488AF6B	6TMSED	NORM,EL5	Sci, Eng, and D/L Chan	400	4	0	4,075,649:07:0	
182	97	219	05:00:00.133	488AF6C	6TMSED	NORM,FL5	Sci, Eng, and D/L Chan	400	4	0	4,075,737:33:0	
183	97	219	05:02:40.133	176KD6A	6TMREC	PPB	PAUSE PLAYBACK (PB CONTROL) Record Mode C	400	4	0	4,075,740:00:0	
184	97	219	05:04:41.466		DMS:	: *TURNARND	P7, TRACK 1, FWD, TIC 202.12 +/-	400	4	0	4,075,742:00:0	
185	97	219	05:04:41.466	465KV6A	6DMST		1635 DMS Slew to TIC	400	4	0	4,075,742:00:0	
186	97	219	05:04:41.466		DMS:	: *SLEW-TIC	P7, TRACK 1, FWD, TIC 202.12 +/-	400	4	0	4,075,742:00:0	
187	97	219	05:04:41.466		DMS:	: *E4-DELAY	RDY, TRACK 1, FWD, TIC 202.12 +/-	400	4	0	4,075,742:00:0	
188	97	219	05:04:48.133		DMS:	: *RUNUP	P7, TRACK 1, FWD, TIC 202.12 +/-	400	4	0	4,075,742:10:0	
189	97	219	05:04:49.533		DMS:	: *AT SPD	P7, TRACK 1, FWD, TIC * 202.24 +/-	400	4	0	4,075,742:12:1	
190	97	219	05:21:40.133	488AF6D	6TMSED	NORM,FL6	Sci, Eng, and D/L Chan	400	4	0	4,075,758:72:0	
191	97	219	06:08:50.800	488AF6E	6TMSED	FILL,FL6	Sci, Eng, and D/L Chan	400	4	0	4,075,805:41:0	
192	97	219	06:22:40.133	488AG6A	6TMSED	NORM,FL6	Sci, Eng, and D/L Chan	400	4	0	4,075,819:11:0	
193	97	219	06:46:32.933		DMS:	: *RENDOWN	P7, TRACK 1, FWD, TIC *1632.94 +/-	400	4	0	4,075,842:67:2	
194	97	219	06:46:34.133		DMS:	: *READY	RDY, TRACK 1, FWD, TIC *1633.00 +/-	400	4	0	4,075,842:69:0	
195	97	219	07:57:50.800	488AG6B	6TMSED	FILL,FL6	Sci, Eng, and D/L Chan	400	4	0	4,075,913:23:0	
196	97	219	08:01:40.133	488AG6C	6TMSED	FILL,FL8	Sci, Eng, and D/L Chan	400	4	0	4,075,917:03:0	
197	97	219	08:03:20.133	488AG6D	6TMSED	NORM,FL8	Sci, Eng, and D/L Chan	400	4	0	4,075,918:62:0	
198	97	219	08:30:00.133	488AG6E	6TMSED	NORM,IL8	Sci, Eng, and D/L Chan	400	4	0	4,075,945:05:0	
199	97	219	08:30:00.800	282NV432A431A6A	6RCDSL	DDSNCG,PLSDSL,EP	Record Deselect (DDS o	400	4	0	4,075,945:06:0	
200	97	219	08:30:01.466	282NV432A6A	6RTSL1		R/T Select of DDS and	400	4	0	4,075,945:07:0	
201	97	219	10:54:32.133		DMS:	: READY	RDY, TRACK *4, *REV, TIC 1633.00 +/-	400	4	0	4,076,088:00:0	
202	97	219	10:54:32.133	465KW6A	6DMSC	RDY,4	DMS Control Tape stop	400	4	0	4,076,088:00:0	
203	97	219	10:55:00.133	41SJ99A	POWER	PWR MODE change	Change to Data Taking Mode	400	4	0	4,076,088:42:0	
204	97	219	10:55:04.133	41SJ3A	40T1PR		1 PCT Heater 1 OFF (primary relay)	400	4	0	4,076,088:48:0	
205	97	219	10:55:14.133	41SJ3B	40T1PR		2 PCT Heater 1 OFF (primary relay)	400	4	0	4,076,088:63:0	
206	97	219	10:55:24.133	41SJ3C	40T2R		1 PCT Heater 2 OFF	400	4	0	4,076,088:78:0	
207	97	219	10:55:34.133	41SJ3D	40T2R		2 PCT Heater 2 OFF	400	4	0	4,076,089:02:0	
208	97	219	11:06:28.800		DMS:	: *US-RUNUP	P7, TRACK *1, *FWD, TIC 1633.00 +/-	400	4	0	4,076,099:74:0	
209	97	219	11:06:28.800	175MG422A6A	6DMSC	R7,4	DMS Control Tape runup 7.68kbp	400	4	0	4,076,099:74:0	
210	97	219	11:06:30.200		DMS:	: *US AT_SP	P7, TRACK 1, FWD, TIC *1633.12 +/-	400	4	0	4,076,099:76:1	
211	97	219	11:06:35.466		DMS:	: *US RD	P7, TRACK 1, FWD, TIC *1634.35 +/-	400	4	0	4,076,099:84:0	
212	97	219	11:06:36.666		DMS:	: *RUNUP	R7, TRACK *4, *REV, TIC *1634.41 +/-	400	4	0	4,076,099:85:8	
213	97	219	11:06:37.466	175MG176A6A	6TMREC	LPW	7.68 KBPS LOW RATE SCI PWS RECORD Record	400	4	0	4,076,099:87:0	
214	97	219	11:06:37.466	282NG431A6A	6RCSEL	DDSNCG,PLSSEL,EP	Record Select (DDS onl	400	4	0	4,076,099:87:0	
215	97	219	11:06:38.066		DMS:	: *AT SPD	R7, TRACK 4, REV, TIC 1634.29 +/-	400	4	0	4,076,099:87:9	
216	97	219	11:06:38.066		DMS:	: *RECORD	R7, TRACK 4, REV, TIC *1634.29 +/-	400	4	0	4,076,099:87:9	
217	97	219	11:06:40.133	431OK6A	6RCSEL	DDSNCG,PLSNCG,EP	Record Select (DDS onl	400	4	0	4,076,100:00:0	
218	97	219	12:30:39.466	41SA99A	POWER	PWR MODE change	Change to Calib/Decon Mode	400	4	0	4,076,183:06:0	

Line	YR	DOY	SCET - GMT	PSID	Command Parameters	Description	GCM	GO	GS	RIM	MFI
219	97	219	12:30:43.466	41SA31	40T1PR	1 PCT Heater 1 OFF (primary relay)	400	4	0	4,076,183:12:0	
220	97	219	12:30:53.466	41SA3J	40T1PR	2 PCT Heater 1 OFF (primary relay)	400	4	0	4,076,183:27:0	
221	97	219	12:31:03.466	41SA3K	40T2R	1 PCT Heater 2 OFF	400	4	0	4,076,183:42:0	
222	97	219	12:31:13.466	41SA3L	40T2R	2 PCT Heater 2 OFF	400	4	0	4,076,183:57:0	
223	97	219	12:37:42.800	432OK431A6A	6RCDL	Record Deselect (DDS o	400	4	0	4,076,190:03:0	
224	97	219	12:37:42.800	432OK6A	6RTSL1	RT Select of DDS and	400	4	0	4,076,190:04:0	
225	97	219	12:37:46.133	282NH431A6A	6RCDL	Record Deselect (DDS o	400	4	0	4,076,190:09:0	
226	97	219	12:37:52.133	175MG422A6B	6DMSC	DMS Control Tape stop	400	4	0	4,076,190:18:0	
227	97	219	12:37:52.133	DMS:	: *RUNDOWN	R7, TRACK 4, REV, TIC * 351.31 +/-	400	4	0	4,076,190:18:0	
228	97	219	12:37:53.333	DMS:	: *READY	RDY, TRACK 4, REV, TIC * 351.25 +/-	400	4	0	4,076,190:19:8	
229	97	219	12:38:35.466	282NH432A431A6A	6RCDL	Record Deselect (DDS o	400	4	0	4,076,190:83:0	
230	97	219	12:38:36.133	282NH432A6A	6RTSL1	RT Select of DDS and	400	4	0	4,076,190:84:0	
231	97	219	12:42:34.133	DMS:	: *US-RUNUP	P7, TRACK *1, *FWD, TIC 351.25 +/-	400	4	0	4,076,194:77:0	
232	97	219	12:42:34.133	175ZQ422A6A	6DMSC	DMS Control Tape runup 7.68kps	400	4	0	4,076,194:77:0	
233	97	219	12:42:35.533	DMS:	: *US_AT SP	P7, TRACK 1, FWD, TIC * 351.37 +/-	400	4	0	4,076,194:79:1	
234	97	219	12:42:40.800	DMS:	: *US_RD	P7, TRACK 1, FWD, TIC * 352.60 +/-	400	4	0	4,076,194:87:0	
235	97	219	12:42:42.000	DMS:	: *RUNUP	R7, TRACK *4, *REV, TIC * 352.66 +/-	400	4	0	4,076,194:88:8	
236	97	219	12:42:42.800	175ZQ176A6A	6TMREC	7.68 KBPS LOW RATE SCI PWS RECORD	400	4	0	4,076,194:90:0	
237	97	219	12:42:43.400	DMS:	: *RECORD	R7, TRACK 4, REV, TIC * 352.54 +/-	400	4	0	4,076,194:90:9	
238	97	219	12:42:43.400	DMS:	: *AT SPD	R7, TRACK 4, REV, TIC 352.54 +/-	400	4	0	4,076,194:90:9	
239	97	219	12:47:50.133	175ZQ422A6B	6DMSC	DMS Control Tape stop	400	4	0	4,076,200:05:0	
240	97	219	12:47:50.133	DMS:	: *RUNDOWN	R7, TRACK 4, REV, TIC * 280.65 +/-	400	4	0	4,076,200:06:8	
241	97	219	12:47:51.333	DMS:	: *READY	RDY, TRACK 4, REV, TIC * 280.59 +/-	400	4	0	4,076,202:18:0	
242	97	219	12:50:00.066	41SU99A	POWER	PWR MODE change	400	4	0	4,076,202:18:0	
243	97	219	12:51:54.066	41SU3G	40T1P	Change to Maneuver/Playback Mode	400	4	0	4,076,204:07:0	
244	97	219	12:52:04.066	41SU3H	40T1P	1 PCT Heater 1 ON (primary relay)	400	4	0	4,076,204:22:0	
245	97	219	12:52:14.066	41SU3I	40T2	2 PCT Heater 2 ON	400	4	0	4,076,204:37:0	
246	97	219	12:52:24.066	41SU3J	40T2	2 PCT Heater 2 ON	400	4	0	4,076,204:52:0	
247	97	219	17:54:44.066	488AH6A	6TMSED	Sci, Eng, and D/L Chan	400	4	0	4,076,503:53:0	
248	97	219	18:30:00.066	488AH6B	6TMSED	Sci, Eng, and D/L Chan	400	4	0	4,076,538:42:0	
249	97	219	18:30:00.733	282NU432A431A6A	6RCDL	Record Deselect (DDS o	400	4	0	4,076,538:43:0	
250	97	219	18:30:01.400	282NU432A6A	6RTSL1	RT Select of DDS and	400	4	0	4,076,538:44:0	
251	97	219	19:35:00.066	488AH6C	6TMSED	Sci, Eng, and D/L Chan	400	4	0	4,076,602:68:0	
252	97	219	19:43:32.066	488AH6D	6TMSED	Sci, Eng, and D/L Chan	400	4	0	4,076,611:17:0	
253	97	219	21:00:55.400	488AH6E	6TMSED	Sci, Eng, and D/L Chan	400	4	0	4,076,687:66:0	
254	97	219	21:32:20.066	488AH6A	6TMSED	Sci, Eng, and D/L Chan	400	4	0	4,076,718:72:0	
255	97	219	21:33:56.066	488AH6B	6TMSED	Sci, Eng, and D/L Chan	400	4	0	4,076,720:34:0	
256	97	220	02:24:36.066	488AH6C	6TMSED	Sci, Eng, and D/L Chan	400	4	0	4,077,007:77:0	
257	97	220	02:47:25.400	488AH6D	6TMSED	Sci, Eng, and D/L Chan	400	4	0	4,077,030:38:0	
258	97	220	03:01:05.400	488AH6E	6TMSED	Sci, Eng, and D/L Chan	400	4	0	4,077,043:85:0	
259	97	220	03:56:30.066	488AH6A	6TMSED	Sci, Eng, and D/L Chan	400	4	0	4,077,098:67:0	
260	97	220	04:02:44.066	488AH6B	6TMSED	Sci, Eng, and D/L Chan	400	4	0	4,077,104:82:0	
261	97	220	04:47:47.400	488AH6C	6TMSED	Sci, Eng, and D/L Chan	400	4	0	4,077,149:42:0	
262	97	220	07:15:00.066	488AH6D	6TMSED	Sci, Eng, and D/L Chan	400	4	0	4,077,295:05:0	
263	97	220	07:15:00.733	282NM432A431A6A	6RCDL	Record Deselect (DDS o	400	4	0	4,077,295:06:0	
264	97	220	07:15:01.400	282NM432A6A	6RTSL1	RT Select of DDS and	400	4	0	4,077,295:07:0	
265	97	220	08:01:40.066	488AH6E	6TMSED	Sci, Eng, and D/L Chan	400	4	0	4,077,341:19:0	
266	97	220	08:03:30.066	488AK6A	6TMSED	Sci, Eng, and D/L Chan	400	4	0	4,077,343:02:0	
267	97	220	08:05:56.066	488AK6B	6TMSED	Sci, Eng, and D/L Chan	400	4	0	4,077,345:39:0	
268	97	220	08:07:36.066	488AK6C	6TMSED	Sci, Eng, and D/L Chan	400	4	0	4,077,347:07:0	
269	97	220	12:37:09.400	488AK6D	6TMSED	Sci, Eng, and D/L Chan	400	4	0	4,077,613:61:0	
270	97	220	13:00:34.066	488AK6E	6TMSED	Sci, Eng, and D/L Chan	400	4	0	4,077,636:75:0	
271	97	220	17:15:00.066	488AL6A	6TMSED	Sci, Eng, and D/L Chan	400	4	0	4,077,888:42:0	
272	97	220	17:15:00.733	282NN432A431A6A	6RCDL	Record Deselect (DDS o	400	4	0	4,077,888:43:0	
273	97	220	17:15:01.400	282NN432A6A	6RTSL1	RT Select of DDS and	400	4	0	4,077,888:44:0	

Line	YR	DOY	SCET - GMT	PSID	Command	Parameters	Description	GCM	GO	GS	RIM	MFI
274	97	220	17:37:00.066	488AL6B	6TMSED	NORM,ELH8	Sci, Eng, and D/L Chan	400	4	0	4,077,910:20:0	
275	97	220	17:54:44.066	488AL6C	6TMSED	NORM,ELH6	Sci, Eng, and D/L Chan	400	4	0	4,077,927:69:0	
276	97	220	19:35:00.000	488AL6D	6TMSED	NORM,ELH4	Sci, Eng, and D/L Chan	400	4	0	4,078,026:84:0	
277	97	220	20:21:56.000	488AL6E	6TMSED	NORM,ELH5	Sci, Eng, and D/L Chan	400	4	0	4,078,073:31:0	
278	97	221	00:50:00.000	488AM6A	6TMSED	NORM,EL5	Sci, Eng, and D/L Chan	400	4	0	4,078,338:42:0	
279	97	221	00:50:04.000	20UJ4A	7SAFE	STOP	SIP NO MOVEMENT	400	4	0	4,078,338:48:0	
280	97	221	00:50:54.000	20UJ4B	7SLEW	DIS,POS,0.0	Stator movement	400	4	0	4,078,339:32:0	
281	97	221	00:52:34.000	176SR6A	6TMREC	RPB	RESUME PLAYBACK (PB CONTROL) Record Mode	400	4	0	4,078,341:00:0	
282	97	221	00:54:34.666	432OU431A6A	6RCDL	DDSNCG,PLSNCG,EP	Record Deselect (DDS o	400	4	0	4,078,342:90:0	
283	97	221	00:54:35.333	432OU6A	6RTSL1		RT Select of DDS and	400	4	0	4,078,343:00:0	
284	97	221	02:48:04.000	488AM6B	6TMSED	NORM,EL4	Sci, Eng, and D/L Chan	400	4	0	4,078,455:21:0	
285	97	221	03:52:04.000	488AM6C	6TMSED	NORM,EL5	Sci, Eng, and D/L Chan	400	4	0	4,078,518:48:0	
286	97	221	04:13:41.333	488AM6D	6TMSED	FILL,EL5	Sci, Eng, and D/L Chan	400	4	0	4,078,539:83:0	
287	97	221	04:42:47.333	488AM6E	6TMSED	NORM,EL5	Sci, Eng, and D/L Chan	400	4	0	4,078,568:63:0	
288	97	221	07:57:24.000	488AN6A	6TMSED	NORM,EL7	Sci, Eng, and D/L Chan	400	4	0	4,078,761:15:0	
289	97	221	07:59:14.000	488AN6B	6TMSED	FILL,EL7	Sci, Eng, and D/L Chan	400	4	0	4,078,762:89:0	
290	97	221	08:01:40.000	488AN6C	6TMSED	FILL,EL8	Sci, Eng, and D/L Chan	400	4	0	4,078,765:35:0	
291	97	221	08:03:20.000	488AN6D	6TMSED	NORM,EL8	Sci, Eng, and D/L Chan	400	4	0	4,078,767:03:0	
292	97	221	12:32:09.333	488AN6E	6TMSED	FILL,EL8	Sci, Eng, and D/L Chan	400	4	0	4,079,032:82:0	
293	97	221	12:55:34.000	488AO6A	6TMSED	NORM,EL8	Sci, Eng, and D/L Chan	400	4	0	4,079,056:05:0	
294	97	221	15:53:00.000	488AO6B	6TMSED	NORM,ELH8	Sci, Eng, and D/L Chan	400	4	0	4,079,231:49:0	
295	97	221	15:57:30.666	176SG6A	6TMREC	PPB	PAUSE PLAYBACK (PB CONTROL) Record Mode C	400	4	0	4,079,236:00:0	
296	97	221	16:25:02.000	490UA412A4B	7MODE	INT	AACS INERTIAL MODE	400	4	0	4,079,263:20:0	
297	97	221	16:30:00.000	490UA412A4D	7SAFE	UNSTOW	SIP TO 153 deg cone	400	4	0	4,079,268:12:0	
298	97	221	16:34:10.000	490UA412A4E	7VECT	RTH	Inert vect update UTC	400	4	0	4,079,272:23:0	
299	97	221	16:34:14.000	490UA412A4F	7TURN	2,RTH	ALERT Thruster	400	4	0	4,079,272:29:0	
300	97	221	16:38:02.000	490UA412A406A4A	7STAR	1,3000,95.710999	Star catalog update	400	4	0	4,079,276:07:0	
301	97	221	16:38:04.000	490UA412A406A4B	7STAR	2,111,257.16	Star catalog update	400	4	0	4,079,276:10:0	
302	97	221	16:38:06.000	490UA412A406A4C	7STAR	3,138,199.44	Star catalog update	400	4	0	4,079,276:13:0	
303	97	221	16:38:08.000	490UA412A406A4D	7STAR	4,0,0,0,0,0,0	Star catalog update	400	4	0	4,079,276:16:0	
304	97	221	16:38:10.000	490UA412A406A4E	7STAR	5,0,0,0,0,0,0	Star catalog update	400	4	0	4,079,276:19:0	
305	97	221	16:38:12.000	490UA412A406A4F	7STAR	6,0,0,0,0,0,0	Star catalog update	400	4	0	4,079,276:22:0	
306	97	221	17:44:04.000	488AO6C	6TMSED	NORM,ELH7	Sci, Eng, and D/L Chan	400	4	0	4,079,341:35:0	
307	97	221	17:46:12.666	490UA412A4L	7MODE	CRU	AACS CRUISE MODE	400	4	0	4,079,343:46:0	
308	97	221	17:54:59.333	432PN431A6A	6RCDL	DDSNCG,PLSNCG,EP	Record Deselect (DDS o	400	4	0	4,079,352:17:0	
309	97	221	17:55:00.000	432PN6A	6RTSL1		RT Select of DDS and	400	4	0	4,079,352:18:0	
310	97	221	18:11:00.000	488AO6D	6TMSED	NORM,EL7	Sci, Eng, and D/L Chan	400	4	0	4,079,368:02:0	
311	97	221	18:11:04.000	20UK4A	7SAFE	STOP	SIP NO MOVEMENT	400	4	0	4,079,368:08:0	
312	97	221	18:11:54.000	20UK4B	7SLEW	DIS,POS,0.0	Stator movement	400	4	0	4,079,368:83:0	
313	97	221	18:14:00.666	176SS6A	6TMREC	RPB	RESUME PLAYBACK (PB CONTROL) Record Mode	400	4	0	4,079,371:00:0	
314	97	221	18:24:36.000	488AO6E	6TMSED	NORM,EL6	Sci, Eng, and D/L Chan	400	4	0	4,079,381:43:0	
315	97	221	19:28:36.000	488AP6A	6TMSED	NORM,EL4	Sci, Eng, and D/L Chan	400	4	0	4,079,444:70:0	
316	97	221	20:02:44.000	488AP6B	6TMSED	NORM,EL5	Sci, Eng, and D/L Chan	400	4	0	4,079,478:48:0	
317	97	221	21:51:32.000	488AP6C	6TMSED	NORM,EL6	Sci, Eng, and D/L Chan	400	4	0	4,079,586:12:0	
318	97	221	22:00:00.000	488AP6D	6TMSED	NORM,AL6	Sci, Eng, and D/L Chan	400	4	0	4,079,594:46:0	
319	97	221	23:56:46.666	176BM6A	6TMREC	PPB	PAUSE PLAYBACK (PB CONTROL) Record Mode C	400	4	0	4,079,710:00:0	
320	97	221	23:59:48.000	165BR4A	7SCAN	NORM,312.362,-20	Check S/P Position	400	4	0	4,079,712:90:0	
321	97	222	00:03:56.666	20UB4A	7SAFE	STOP	SIP NO MOVEMENT	400	4	0	4,079,717:08:0	
322	97	222	00:04:46.666	20UB4B	7SLEW	DIS,POS,0.0	Stator movement	400	4	0	4,079,717:83:0	
323	97	222	00:05:52.666	176BN6A	6TMREC	RPB	RESUME PLAYBACK (PB CONTROL) Record Mode	400	4	0	4,079,719:00:0	
324	97	222	01:48:20.000	488AQ6A	6TMSED	NORM,AL5	Sci, Eng, and D/L Chan	400	4	0	4,079,820:30:0	
325	97	222	02:43:47.933	488AQ6B	6TMSED	NORM,AL4	Sci, Eng, and D/L Chan	400	4	0	4,079,875:17:0	
326	97	222	03:05:07.933	488AQ6C	6TMSED	NORM,AL5	Sci, Eng, and D/L Chan	400	4	0	4,079,896:26:0	
327	97	222	04:02:43.933	488AQ6D	6TMSED	NORM,AL6	Sci, Eng, and D/L Chan	400	4	0	4,079,953:23:0	
328	97	222	07:57:50.600	488AR6A	6TMSED	FILL,AL6	Sci, Eng, and D/L Chan	400	4	0	4,080,185:71:0	

Line	YR	DOY	SCET - GMT	PSID	Command	Parameters	Description	GCM	GO	GS	RIM	MFI
329	97	222	08:01:39.933	488AR6B	6TMSED	FILL,AL8	Sci, Eng, and D/L Chan	400	4	0	4,080,189:51:0	
330	97	222	08:03:19.933	488AR6C	6TMSED	NORM,AL8	Sci, Eng, and D/L Chan	400	4	0	4,080,191:19:0	
331	97	222	17:44:03.933	488AS6A	6TMSED	NORM,AL7	Sci, Eng, and D/L Chan	400	4	0	4,080,765:51:0	
332	97	222	18:28:51.933	488AS6B	6TMSED	NORM,AL6	Sci, Eng, and D/L Chan	400	4	0	4,080,809:79:0	
333	97	222	19:24:19.933	488AS6C	6TMSED	NORM,AL4	Sci, Eng, and D/L Chan	400	4	0	4,080,864:66:0	
334	97	222	20:26:11.933	488AS6D	6TMSED	NORM,AL5	Sci, Eng, and D/L Chan	400	4	0	4,080,925:83:0	
335	97	222	20:48:41.266	488AS6E	6TMSED	FILL,AL5	Sci, Eng, and D/L Chan	400	4	0	4,080,948:14:0	
336	97	222	21:17:47.933	488AT6A	6TMSED	NORM,AL5	Sci, Eng, and D/L Chan	400	4	0	4,080,976:86:0	
337	97	223	01:00:21.933	41SB99A	POWER	PWR MODE change	Change to Calib/Decon Mode	400	4	0	4,081,197:06:0	
338	97	223	01:00:21.933	C9NNRTRLT02-		-----START-----		400	4	0	:	:
339	97	223	01:00:25.933	41SB31	40T1PR		1 PCT Heater 1 OFF (primary relay)	400	4	0	4,081,197:12:0	
340	97	223	01:00:35.933	41SB3J	40T1PR		2 PCT Heater 1 OFF (primary relay)	400	4	0	4,081,197:27:0	
341	97	223	01:00:45.933	41SB3K	40T2R		1 PCT Heater 2 OFF	400	4	0	4,081,197:42:0	
342	97	223	01:00:55.933	41SB3L	40T2R		2 PCT Heater 2 OFF	400	4	0	4,081,197:57:0	
343	97	223	01:11:25.266	176XI6A	6TMREC	PPB	PAUSE PLAYBACK (PB CONTROL) Record Mode C	400	4	0	4,081,208:00:0	
344	97	223	01:14:31.266	20XG4A	7SAFE	UNSTOW	SIP TO 153 deg cone	400	4	0	4,081,211:06:0	
345	97	223	01:18:37.933	20US4A	7SAFE	STOP	SIP NO MOVEMENT	400	4	0	4,081,215:12:0	
346	97	223	01:19:27.933	20US4B	7SLEW	DIS,POS,0.0	Stator movement	400	4	0	4,081,215:87:0	
347	97	223	01:21:31.933	176YE6A	6TMREC	RPB	RESUME PLAYBACK (PB CONTROL) Record Mode	400	4	0	4,081,218:00:0	
348	97	223	01:22:32.600	185XG10A3A	40HRP		1 RCT Heater ON (primary relay)	400	4	0	4,081,219:00:0	
349	97	223	01:22:37.933	185XG10B3A	40HRP		2 RCT Heater ON (primary relay)	400	4	0	4,081,219:08:0	
350	97	223	02:39:31.933	488AT6B	6TMSED	NORM,AL4	Sci, Eng, and D/L Chan	400	4	0	4,081,295:13:0	
351	97	223	03:00:51.933	488AT6C	6TMSED	NORM,AL5	Sci, Eng, and D/L Chan	400	4	0	4,081,316:22:0	
352	97	223	03:47:47.933	488AU6A	6TMSED	NORM,AL6	Sci, Eng, and D/L Chan	400	4	0	4,081,362:60:0	
353	97	223	04:00:04.600	488AU6B	6TMSED	FILL,AL6	Sci, Eng, and D/L Chan	400	4	0	4,081,374:73:0	
354	97	223	04:26:53.933	488AU6C	6TMSED	NORM,AL6	Sci, Eng, and D/L Chan	400	4	0	4,081,401:30:0	
355	97	223	07:42:54.600	488AU6D	6TMSED	FILL,AL6	Sci, Eng, and D/L Chan	400	4	0	4,081,595:17:0	
356	97	223	07:46:43.933	488AU6E	6TMSED	FILL,AL8	Sci, Eng, and D/L Chan	400	4	0	4,081,598:88:0	
357	97	223	07:48:23.933	488AV6A	6TMSED	NORM,AL8	Sci, Eng, and D/L Chan	400	4	0	4,081,600:56:0	
358	97	223	13:17:19.200	125XG4A	37IST	1,0,0,OFF,0,0,0	Chopper ON, Sync, 63Hz (Ref)	460	4	0	4,081,925:84:0	
359	97	223	13:17:19.200	125XG	NIMSNIT	GS	##### GROUP START INIT	460	4	0	4,081,925:84:0	
360	97	223	13:18:19.866	125XG4B	37IST	1,2,0,OFF,0,0,0	Chopper ON, Sync, Chopper (Ref)	2R0	4	0	4,081,927:84:0	
361	97	223	13:19:20.533	125XG4C	37IST	0,2,0,OFF,0,1,3	Gain State 1	1R0	4	0	4,081,927:84:0	
362	97	223	13:20:21.200	125XG11A	NIMSNIT	GE	##### GROUP END INIT	1R0	4	0	4,081,928:84:0	
363	97	223	13:20:21.200	125XG4D	37MB	1B,1B,0,0,0,0	Selects mirror (spatial) edit table	1R0	4	0	4,081,928:84:0	
364	97	223	13:22:22.533	127XG	NIMSTAB	GS	%%%% GROUP START TAB	1R0	4	0	4,081,930:84:0	
365	97	223	13:22:22.533	127XG4A	37IOP	3,0	Long Map, Grating Start Position =00	1R3	4	0	4,081,930:84:0	
366	97	223	13:22:23.200	127XG4B	37ETB	0A,CA,18,03,FF,1	Loads wavelength edit table	1R3	4	0	4,081,930:85:0	
367	97	223	13:22:31.200	127XG11A	NIMSTAB	GE	%%%% GROUP END TAB	1R3	4	0	4,081,931:06:0	
368	97	223	13:26:29.866	176XG6A	6TMREC	PPB	PAUSE PLAYBACK (PB CONTROL) Record Mode C	1R3	4	0	4,081,935:00:0	
369	97	223	13:32:33.866	192XG4A	7CONE	17,0,119,7	Check S/P Position	1R3	4	0	4,081,941:00:0	
370	97	223	13:34:55.200	432XG6A	6RTSL2	NIMSEL,AACNCG,RT	NIMS R/T SELECT	1R3	4	0	4,081,943:30:0	
371	97	223	13:35:54.533	432XH6A	6RTDS2	NIMDSL,AACNCG,RT	NIMS R/T DESELECT	1R3	4	0	4,081,944:28:0	
372	97	223	13:38:37.866	192XG4B	7CONE	17,0,0,0	Check S/P Position	1R3	4	0	4,081,947:00:0	
373	97	223	13:40:59.200	432XI6A	6RTSL2	NIMSEL,AACNCG,RT	NIMS R/T SELECT	1R3	4	0	4,081,949:30:0	
374	97	223	13:42:59.200	432YE6A	6RTDS2	NIMDSL,AACNCG,RT	NIMS R/T DESELECT	1R3	4	0	4,081,951:28:0	
375	97	223	13:44:41.866	192XG4C	7CONE	17,0,119,7	Check S/P Position	1R3	4	0	4,081,953:00:0	
376	97	223	13:46:43.200	185XG10C3A	40HRPR		1 RCT Heater OFF (primary relay)	1R3	4	0	4,081,955:00:0	
377	97	223	13:46:48.533	185XG10D3A	40HRPR		2 RCT Heater OFF (primary relay)	1R3	4	0	4,081,955:08:0	
378	97	223	13:47:02.200	432YF6A	6RTSL2	NIMSEL,AACNCG,RT	NIMS R/T SELECT	1R3	4	0	4,081,955:30:0	
379	97	223	13:48:02.533	432ZE6A	6RTDS2	NIMDSL,AACNCG,RT	NIMS R/T DESELECT	1R3	4	0	4,081,956:28:0	
380	97	223	13:50:45.866	192XG4D	7CONE	17,0,153,0	Check S/P Position	1R3	4	0	4,081,959:00:0	
381	97	223	13:51:41.866	127XH	NIMSTAB	GS	%%%% GROUP START TAB	1R3	4	0	4,081,959:84:0	
382	97	223	13:51:41.866	127XH4A	37IOP	0,0	Safe, Grating Start Position =00	1R0	4	0	4,081,959:84:0	
383	97	223	13:51:42.533	127XH4B	37ETB	04,C4,02,00,00	Loads wavelength edit table	1R0	4	0	4,081,959:85:0	

Line	YR	DOY	SCET - GMT	PSID	Command	Parameters	Description	GCM	GO	GS	RIM	MFI
384	97	223	13:51:50.533	127XH11A	NIMSTAB	GE	%%%GROUP END TAB	1R0	4	0	4,081,960:06:0	
385	97	223	13:54:43.866	125XH	NIMSNIT	GS	##### GROUP START INIT	1R0	4	0	4,081,962:84:0	
386	97	223	13:54:43.866	125XH4A	37MB	0,0,0,0,0,0	Selects mirror (spatial) edit table	1R0	4	0	4,081,962:84:0	
387	97	223	13:55:44.533	125XH4B	37IST	1,0,0,OFF,0,0,0	Chopper ON, Sync, 63Hz (Ref)	160	4	0	4,081,963:84:0	
388	97	223	13:56:45.200	125XH11A	NIMSNIT	GE	##### GROUP END INIT	160	4	0	4,081,964:84:0	
389	97	223	13:56:45.200	125XH4C	37IST	1,1,0,OFF,0,0,0	Chopper OFF, N/A, 63Hz (Ref)	100	4	0	4,081,964:84:0	
390	97	223	14:02:57.866	41SZ99A	POWER	PWR MODE change	Change to Maneuver/Playback Mode	100	4	0	4,081,971:06:0	
391	97	223	14:04:51.866	41SZ3G	40T1P		1 PCT Heater 1 ON (primary relay)	100	4	0	4,081,972:86:0	
392	97	223	14:05:01.866	41SZ3H	40T1P		2 PCT Heater 1 ON (primary relay)	100	4	0	4,081,973:10:0	
393	97	223	14:05:21.866	41SZ3J	40T2		1 PCT Heater 2 ON	100	4	0	4,081,973:25:0	
394	97	223	14:05:21.866	41SZ3J	40T2		2 PCT Heater 2 ON	100	4	0	4,081,973:40:0	
395	97	223	14:13:08.533	20UT4A	7SAFE	STOP	SIP NO MOVEMENT	100	4	0	4,081,981:12:0	
396	97	223	14:13:58.533	20UT4B	7SLEW	DIS,POS,0,0	Stator movement	100	4	0	4,081,981:87:0	
397	97	223	14:16:02.533	176XH6A	6TMREC	RPB	RESUME PLAYBACK (PB CONTROL) Record Mode	100	4	0	4,081,984:00:0	
398	97	223	14:16:06.599	C9NNCRTRLT02-	-----STOP			100	4	0	:	
399	97	223	14:57:29.866	176BO6A	6TMREC	PPB	PAUSE PLAYBACK (PB CONTROL) Record Mode C	100	4	0	4,082,025:00:0	
400	97	223	15:00:31.200	165BS4A	7SCAN	NORM,312.362,-20	Check S/P Position	100	4	0	4,082,027:90:0	
401	97	223	15:04:39.866	20UC4A	7SAFE	STOP	SIP NO MOVEMENT	100	4	0	4,082,032:08:0	
402	97	223	15:05:29.866	20UC4B	7SLEW	DIS,POS,0,0	Stator movement	100	4	0	4,082,032:83:0	
403	97	223	15:06:35.866	176BP6A	6TMREC	RPB	RESUME PLAYBACK (PB CONTROL) Record Mode	100	4	0	4,082,034:00:0	
404	97	223	17:39:47.866	488AW6A	6TMSED	NORM,AL7	Sci, Eng, and D/L Chan	100	4	0	4,082,185:47:0	
405	97	223	18:28:51.866	488AW6B	6TMSED	NORM,AL6	Sci, Eng, and D/L Chan	100	4	0	4,082,234:04:0	
406	97	223	19:20:03.866	488AW6C	6TMSED	NORM,AL4	Sci, Eng, and D/L Chan	100	4	0	4,082,284:62:0	
407	97	223	19:47:47.866	488AW6D	6TMSED	NORM,AL5	Sci, Eng, and D/L Chan	100	4	0	4,082,312:10:0	
408	97	223	21:06:43.866	488AW6E	6TMSED	NORM,AL6	Sci, Eng, and D/L Chan	100	4	0	4,082,390:16:0	
409	97	224	02:13:55.866	488AX6A	6TMSED	NORM,AL5	Sci, Eng, and D/L Chan	100	4	0	4,082,694:00:0	
410	97	224	03:34:59.866	488AX6B	6TMSED	NORM,AL4	Sci, Eng, and D/L Chan	100	4	0	4,082,774:16:0	
411	97	224	03:52:03.866	488AX6C	6TMSED	NORM,AL6	Sci, Eng, and D/L Chan	100	4	0	4,082,791:05:0	
412	97	224	07:38:38.533	488AX6D	6TMSED	FILL,AL6	Sci, Eng, and D/L Chan	100	4	0	4,083,015:13:0	
413	97	224	07:42:27.866	488AX6E	6TMSED	FILL,AL8	Sci, Eng, and D/L Chan	100	4	0	4,083,018:84:0	
414	97	224	07:44:07.866	488AY6A	6TMSED	NORM,AL8	Sci, Eng, and D/L Chan	100	4	0	4,083,020:52:0	
415	97	224	08:23:41.200	488AY6B	6TMSED	FILL,AL8	Sci, Eng, and D/L Chan	100	4	0	4,083,059:63:0	
416	97	224	09:29:05.866	488AY6C	6TMSED	NORM,AL8	Sci, Eng, and D/L Chan	100	4	0	4,083,124:35:0	
417	97	224	17:33:23.800	488AZ6A	6TMSED	NORM,AL7	Sci, Eng, and D/L Chan	100	4	0	4,083,603:33:0	
418	97	224	18:33:07.800	488AZ6B	6TMSED	NORM,AL6	Sci, Eng, and D/L Chan	100	4	0	4,083,662:40:0	
419	97	224	19:13:39.800	488AZ6C	6TMSED	NORM,AL4	Sci, Eng, and D/L Chan	100	4	0	4,083,702:48:0	
420	97	224	19:37:07.800	488AZ6D	6TMSED	NORM,AL5	Sci, Eng, and D/L Chan	100	4	0	4,083,725:67:0	
421	97	224	20:51:47.800	488AZ6E	6TMSED	NORM,AL6	Sci, Eng, and D/L Chan	100	4	0	4,083,799:53:0	
422	97	225	02:18:11.800	488BA6A	6TMSED	NORM,AL5	Sci, Eng, and D/L Chan	100	4	0	4,084,122:36:0	
423	97	225	03:26:27.800	488BA6B	6TMSED	NORM,AL6	Sci, Eng, and D/L Chan	100	4	0	4,084,189:83:0	
424	97	225	07:32:14.466	488BA6C	6TMSED	FILL,AL6	Sci, Eng, and D/L Chan	100	4	0	4,084,432:90:0	
425	97	225	07:36:03.800	488BA6D	6TMSED	FILL,AL8	Sci, Eng, and D/L Chan	100	4	0	4,084,436:70:0	
426	97	225	07:37:43.800	488BA6E	6TMSED	NORM,AL8	Sci, Eng, and D/L Chan	100	4	0	4,084,438:38:0	
427	97	225	17:29:07.800	488BB6A	6TMSED	NORM,AL7	Sci, Eng, and D/L Chan	100	4	0	4,085,023:29:0	
428	97	225	18:33:07.800	488BB6B	6TMSED	NORM,AL6	Sci, Eng, and D/L Chan	100	4	0	4,085,086:56:0	
429	97	225	19:13:39.800	488BB6C	6TMSED	NORM,AL4	Sci, Eng, and D/L Chan	100	4	0	4,085,126:64:0	
430	97	225	19:56:19.800	488BB6D	6TMSED	NORM,AL5	Sci, Eng, and D/L Chan	100	4	0	4,085,168:82:0	
431	97	225	20:38:41.800	488BB6E	6TMSED	FILL,AL5	Sci, Eng, and D/L Chan	100	4	0	4,085,210:73:0	
432	97	225	21:07:47.800	488BC6A	6TMSED	NORM,AL5	Sci, Eng, and D/L Chan	100	4	0	4,085,239:53:0	
433	97	226	03:15:47.733	488BD6A	6TMSED	NORM,AL6	Sci, Eng, and D/L Chan	100	4	0	4,085,603:49:0	
434	97	226	03:50:04.400	488BD6B	6TMSED	FILL,AL6	Sci, Eng, and D/L Chan	100	4	0	4,085,637:40:0	
435	97	226	04:16:54.400	488BD6C	6TMSED	NORM,AL6	Sci, Eng, and D/L Chan	100	4	0	4,085,663:89:0	
436	97	226	07:27:58.400	488BD6D	6TMSED	FILL,AL6	Sci, Eng, and D/L Chan	100	4	0	4,085,852:86:0	
437	97	226	07:31:47.733	488BD6E	6TMSED	FILL,AL8	Sci, Eng, and D/L Chan	100	4	0	4,085,856:66:0	
438	97	226	07:33:27.733	488BE6A	6TMSED	NORM,AL8	Sci, Eng, and D/L Chan	100	4	0	4,085,858:34:0	

Line	YR	DOY	SCET - GMT	PSID	Command	Parameters	Description	GCM	GO	GS	RIM	MFI
439	97	226	17:24:51.733	488BF6A	6TMSED	NORM,AL7	Sci, Eng, and D/L Chan	100	4	0	4,086,443:25:0	
440	97	226	18:33:07.733	488BF6B	6TMSED	NORM,AL6	Sci, Eng, and D/L Chan	100	4	0	4,086,510:72:0	
441	97	226	19:09:23.733	488BF6C	6TMSED	NORM,AL4	Sci, Eng, and D/L Chan	100	4	0	4,086,546:60:0	
442	97	226	19:26:27.733	488BF6D	6TMSED	NORM,AL5	Sci, Eng, and D/L Chan	100	4	0	4,086,563:49:0	
443	97	226	20:26:11.733	488BF6E	6TMSED	NORM,AL6	Sci, Eng, and D/L Chan	100	4	0	4,086,622:56:0	
444	97	227	02:28:51.733	488BG6A	6TMSED	NORM,AL4	Sci, Eng, and D/L Chan	100	4	0	4,086,981:27:0	
445	97	227	02:50:11.733	488BG6B	6TMSED	NORM,AL5	Sci, Eng, and D/L Chan	100	4	0	4,087,002:36:0	
446	97	227	03:48:42.400	488BG6C	6TMSED	FILL,AL5	Sci, Eng, and D/L Chan	100	4	0	4,087,060:24:0	
447	97	227	04:11:15.666	488BG6D	6TMSED	FILL,AL6	Sci, Eng, and D/L Chan	100	4	0	4,087,082:52:0	
448	97	227	04:16:15.666	488BG6E	6TMSED	NORM,AL6	Sci, Eng, and D/L Chan	100	4	0	4,087,087:47:0	
449	97	227	07:27:58.333	488BH6A	6TMSED	FILL,AL6	Sci, Eng, and D/L Chan	100	4	0	4,087,277:11:0	
450	97	227	07:31:47.666	488BH6B	6TMSED	FILL,AL8	Sci, Eng, and D/L Chan	100	4	0	4,087,280:82:0	
451	97	227	07:33:27.666	488BH6C	6TMSED	NORM,AL8	Sci, Eng, and D/L Chan	100	4	0	4,087,282:50:0	
452	97	227	12:07:10.333	488BH6D	6TMSED	FILL,AL8	Sci, Eng, and D/L Chan	100	4	0	4,087,553:23:0	
453	97	227	12:30:35.000	488BH6E	6TMSED	NORM,AL8	Sci, Eng, and D/L Chan	100	4	0	4,087,576:37:0	
454	97	227	17:18:27.666	488BI6A	6TMSED	NORM,AL7	Sci, Eng, and D/L Chan	100	4	0	4,087,861:11:0	
455	97	227	17:32:05.000	488BI6B	6TMSED	FILL,AL7	Sci, Eng, and D/L Chan	100	4	0	4,087,874:54:0	
456	97	227	17:43:37.666	488BI6C	6TMSED	NORM,AL7	Sci, Eng, and D/L Chan	100	4	0	4,087,886:01:0	
457	97	227	18:28:51.666	488BI6D	6TMSED	NORM,AL6	Sci, Eng, and D/L Chan	100	4	0	4,087,930:68:0	
458	97	227	19:02:59.666	488BI6E	6TMSED	NORM,AL4	Sci, Eng, and D/L Chan	100	4	0	4,087,964:46:0	
459	97	227	19:22:11.666	488BJ6A	6TMSED	NORM,AL5	Sci, Eng, and D/L Chan	100	4	0	4,087,983:45:0	
460	97	227	20:17:39.666	488BJ6B	6TMSED	NORM,AL6	Sci, Eng, and D/L Chan	100	4	0	4,088,038:32:0	
461	97	228	02:24:35.666	488BK6A	6TMSED	NORM,AL5	Sci, Eng, and D/L Chan	100	4	0	4,088,401:23:0	
462	97	228	03:00:51.666	488BK6B	6TMSED	NORM,AL6	Sci, Eng, and D/L Chan	100	4	0	4,088,437:11:0	
463	97	228	07:23:42.333	488BK6C	6TMSED	FILL,AL6	Sci, Eng, and D/L Chan	100	4	0	4,088,697:07:0	
464	97	228	07:27:31.666	488BK6D	6TMSED	FILL,AL8	Sci, Eng, and D/L Chan	100	4	0	4,088,700:78:0	
465	97	228	07:29:11.666	488BK6E	6TMSED	NORM,AL8	Sci, Eng, and D/L Chan	100	4	0	4,088,702:46:0	
466	97	228	17:14:11.600	488BL6A	6TMSED	NORM,AL7	Sci, Eng, and D/L Chan	100	4	0	4,089,281:07:0	
467	97	228	18:28:51.600	488BL6B	6TMSED	NORM,AL6	Sci, Eng, and D/L Chan	100	4	0	4,089,354:84:0	
468	97	228	19:02:59.600	488BL6C	6TMSED	NORM,AL4	Sci, Eng, and D/L Chan	100	4	0	4,089,388:62:0	
469	97	228	19:22:11.600	488BL6D	6TMSED	NORM,AL5	Sci, Eng, and D/L Chan	100	4	0	4,089,407:61:0	
470	97	228	20:06:59.600	488BL6E	6TMSED	NORM,AL6	Sci, Eng, and D/L Chan	100	4	0	4,089,451:89:0	
471	97	229	02:28:51.600	488BM6A	6TMSED	NORM,AL4	Sci, Eng, and D/L Chan	100	4	0	4,089,829:59:0	
472	97	229	02:45:55.600	488BM6B	6TMSED	NORM,AL5	Sci, Eng, and D/L Chan	100	4	0	4,089,846:48:0	
473	97	229	03:38:43.600	488BM6C	6TMSED	FILL,AL5	Sci, Eng, and D/L Chan	100	4	0	4,089,898:68:0	
474	97	229	04:00:35.600	488BM6D	6TMSED	FILL,AL6	Sci, Eng, and D/L Chan	100	4	0	4,089,920:34:0	
475	97	229	04:06:06.266	488BM6E	6TMSED	NORM,AL6	Sci, Eng, and D/L Chan	100	4	0	4,089,925:75:0	
476	97	229	07:17:18.266	488BN6A	6TMSED	FILL,AL6	Sci, Eng, and D/L Chan	100	4	0	4,090,114:84:0	
477	97	229	07:21:07.600	488BN6B	6TMSED	FILL,AL8	Sci, Eng, and D/L Chan	100	4	0	4,090,118:64:0	
478	97	229	07:22:47.600	488BN6C	6TMSED	NORM,AL8	Sci, Eng, and D/L Chan	100	4	0	4,090,120:32:0	
479	97	229	11:57:11.600	488BN6D	6TMSED	FILL,AL8	Sci, Eng, and D/L Chan	100	4	0	4,090,391:67:0	
480	97	229	12:20:36.266	488BN6E	6TMSED	NORM,AL8	Sci, Eng, and D/L Chan	100	4	0	4,090,414:81:0	
481	97	229	17:14:11.533	488BO6A	6TMSED	NORM,AL7	Sci, Eng, and D/L Chan	100	4	0	4,090,705:23:0	
482	97	229	18:28:51.533	488BO6B	6TMSED	NORM,AL6	Sci, Eng, and D/L Chan	100	4	0	4,090,779:09:0	
483	97	229	18:58:43.533	488BO6C	6TMSED	NORM,AL4	Sci, Eng, and D/L Chan	100	4	0	4,090,808:58:0	
484	97	229	19:15:47.533	488BO6D	6TMSED	NORM,AL5	Sci, Eng, and D/L Chan	100	4	0	4,090,825:47:0	
485	97	229	20:02:43.533	488BO6E	6TMSED	NORM,AL6	Sci, Eng, and D/L Chan	100	4	0	4,090,871:85:0	
486	97	230	02:13:55.533	488BP6A	6TMSED	NORM,AL5	Sci, Eng, and D/L Chan	100	4	0	4,091,239:05:0	
487	97	230	02:52:19.533	488BP6B	6TMSED	NORM,AL6	Sci, Eng, and D/L Chan	100	4	0	4,091,277:03:0	
488	97	230	07:13:02.200	488BP6C	6TMSED	FILL,AL6	Sci, Eng, and D/L Chan	100	4	0	4,091,534:80:0	
489	97	230	07:16:51.533	488BP6D	6TMSED	FILL,AL8	Sci, Eng, and D/L Chan	100	4	0	4,091,538:60:0	
490	97	230	07:18:31.533	488BP6E	6TMSED	NORM,AL8	Sci, Eng, and D/L Chan	100	4	0	4,091,540:28:0	
491	97	230	17:09:55.533	488BQ6A	6TMSED	NORM,AL7	Sci, Eng, and D/L Chan	100	4	0	4,092,125:19:0	
492	97	230	18:24:35.533	488BQ6B	6TMSED	NORM,AL6	Sci, Eng, and D/L Chan	100	4	0	4,092,199:05:0	
493	97	230	18:48:03.533	488BQ6C	6TMSED	NORM,AL4	Sci, Eng, and D/L Chan	100	4	0	4,092,222:24:0	

Line	YR	DOY	SCET - GMT	PSID	Command	Parameters	Description	GCM	GO	GS	RIM	MFI
494	97	230	19:07:15.533	488BQ6D	6TMSED	NORM,AL5	Sci, Eng, and D/L Chan	100	4	0	4,092,241:23:0	
495	97	230	19:52:03.533	488BQ6E	6TMSED	NORM,AL6	Sci, Eng, and D/L Chan	100	4	0	4,092,285:51:0	
496	97	231	02:09:39.466	488BR6A	6TMSED	NORM,AL5	Sci, Eng, and D/L Chan	100	4	0	4,092,659:01:0	
497	97	231	02:41:39.466	488BR6B	6TMSED	NORM,AL6	Sci, Eng, and D/L Chan	100	4	0	4,092,690:60:0	
498	97	231	07:08:46.133	488BR6C	6TMSED	FILL,AL6	Sci, Eng, and D/L Chan	100	4	0	4,092,954:76:0	
499	97	231	07:12:35.466	488BR6D	6TMSED	FILL,AL8	Sci, Eng, and D/L Chan	100	4	0	4,092,958:56:0	
500	97	231	07:14:15.466	488BR6E	6TMSED	NORM,AL8	Sci, Eng, and D/L Chan	100	4	0	4,092,960:24:0	
501	97	231	17:03:31.466	488BS6A	6TMSED	NORM,AL7	Sci, Eng, and D/L Chan	100	4	0	4,093,543:05:0	
502	97	231	18:18:11.466	488BS6B	6TMSED	NORM,AL6	Sci, Eng, and D/L Chan	100	4	0	4,093,616:82:0	
503	97	231	18:43:47.466	488BS6C	6TMSED	NORM,AL4	Sci, Eng, and D/L Chan	100	4	0	4,093,642:20:0	
504	97	231	19:15:47.466	488BS6D	6TMSED	NORM,AL5	Sci, Eng, and D/L Chan	100	4	0	4,093,673:79:0	
505	97	231	20:13:45.466	488BS6E	6TMSED	FILL,AL5	Sci, Eng, and D/L Chan	100	4	0	4,093,731:18:0	
506	97	231	20:42:51.466	488BT6A	6TMSED	NORM,AL5	Sci, Eng, and D/L Chan	100	4	0	4,093,759:89:0	
507	97	231	21:06:43.466	488BT6B	6TMSED	NORM,AL6	Sci, Eng, and D/L Chan	100	4	0	4,093,783:53:0	
508	97	232	00:59:15.466	488BT6C	6TMSED	NORM,AL5	Sci, Eng, and D/L Chan	100	4	0	4,094,013:51:0	
509	97	232	02:37:23.466	488BT6D	6TMSED	NORM,AL6	Sci, Eng, and D/L Chan	100	4	0	4,094,110:56:0	
510	97	232	03:25:09.466	488BU6A	6TMSED	FILL,AL6	Sci, Eng, and D/L Chan	100	4	0	4,094,157:78:0	
511	97	232	03:51:59.466	488BU6B	6TMSED	NORM,AL6	Sci, Eng, and D/L Chan	100	4	0	4,094,184:36:0	
512	97	232	07:02:22.066	488BU6C	6TMSED	FILL,AL6	Sci, Eng, and D/L Chan	100	4	0	4,094,372:62:0	
513	97	232	07:06:11.400	488BU6D	6TMSED	FILL,AL8	Sci, Eng, and D/L Chan	100	4	0	4,094,376:42:0	
514	97	232	07:07:51.400	488BU6E	6TMSED	NORM,AL8	Sci, Eng, and D/L Chan	100	4	0	4,094,378:10:0	
515	97	232	17:03:31.400	488BV6A	6TMSED	NORM,AL7	Sci, Eng, and D/L Chan	100	4	0	4,094,967:21:0	
516	97	232	18:18:11.400	488BV6B	6TMSED	NORM,AL6	Sci, Eng, and D/L Chan	100	4	0	4,095,041:07:0	
517	97	232	18:43:47.400	488BV6C	6TMSED	NORM,AL4	Sci, Eng, and D/L Chan	100	4	0	4,095,066:36:0	
518	97	232	19:00:51.400	488BV6D	6TMSED	NORM,AL5	Sci, Eng, and D/L Chan	100	4	0	4,095,083:25:0	
519	97	232	19:41:23.400	488BV6E	6TMSED	NORM,AL6	Sci, Eng, and D/L Chan	100	4	0	4,095,123:33:0	
520	97	233	02:13:55.400	488BW6A	6TMSED	NORM,AL5	Sci, Eng, and D/L Chan	100	4	0	4,095,511:53:0	
521	97	233	03:15:47.400	488BW6B	6TMSED	NORM,AL6	Sci, Eng, and D/L Chan	100	4	0	4,095,572:70:0	
522	97	233	03:25:10.733	488BW6C	6TMSED	FILL,AL6	Sci, Eng, and D/L Chan	100	4	0	4,095,582:05:0	
523	97	233	03:52:00.066	488BW6D	6TMSED	NORM,AL6	Sci, Eng, and D/L Chan	100	4	0	4,095,608:53:0	
524	97	233	06:58:06.066	488BW6E	6TMSED	FILL,AL6	Sci, Eng, and D/L Chan	100	4	0	4,095,792:58:0	
525	97	233	07:01:55.400	488BX6A	6TMSED	FILL,AL8	Sci, Eng, and D/L Chan	100	4	0	4,095,796:38:0	
526	97	233	07:03:35.400	488BX6B	6TMSED	NORM,AL8	Sci, Eng, and D/L Chan	100	4	0	4,095,798:06:0	
527	97	233	11:42:15.400	488BX6C	6TMSED	FILL,AL8	Sci, Eng, and D/L Chan	100	4	0	4,096,073:61:0	
528	97	233	12:05:40.066	488BX6D	6TMSED	NORM,AL8	Sci, Eng, and D/L Chan	100	4	0	4,096,096:75:0	
529	97	233	17:03:31.333	488BY6A	6TMSED	NORM,AL7	Sci, Eng, and D/L Chan	100	4	0	4,096,391:37:0	
530	97	233	18:13:55.333	488BY6B	6TMSED	NORM,AL6	Sci, Eng, and D/L Chan	100	4	0	4,096,461:03:0	
531	97	233	18:39:31.333	488BY6C	6TMSED	NORM,AL4	Sci, Eng, and D/L Chan	100	4	0	4,096,486:32:0	
532	97	233	18:56:35.333	488BY6D	6TMSED	NORM,AL5	Sci, Eng, and D/L Chan	100	4	0	4,096,503:21:0	
533	97	233	19:37:07.333	488BY6E	6TMSED	NORM,AL6	Sci, Eng, and D/L Chan	100	4	0	4,096,543:29:0	
534	97	234	01:54:43.333	488BZ6A	6TMSED	NORM,AL5	Sci, Eng, and D/L Chan	100	4	0	4,096,916:70:0	
535	97	234	02:26:43.333	488BZ6B	6TMSED	NORM,AL6	Sci, Eng, and D/L Chan	100	4	0	4,096,948:38:0	
536	97	234	05:32:19.333	488BZ6C	6TMSED	NORM,AL7	Sci, Eng, and D/L Chan	100	4	0	4,097,131:89:0	
537	97	234	06:45:00.000	488BZ6D	6TMSED	NORM,HL7	Sci, Eng, and D/L Chan	100	4	0	4,097,203:78:0	
538	97	234	06:45:00.666	282NO432A431A6A	6RCDSL	DDSNCG,PLSDSL,EP	Record Deselect (DDS o	100	4	0	4,097,203:79:0	
539	97	234	06:45:01.333	282NO432A6A	6RTSL1		RT Select of DDS and	100	4	0	4,097,203:80:0	
540	97	234	06:55:13.333	488B6E	6TMSED	FILL,HL7	Sci, Eng, and D/L Chan	100	4	0	4,097,213:88:0	
541	97	234	06:57:39.333	488CA6A	6TMSED	FILL,HL8	Sci, Eng, and D/L Chan	100	4	0	4,097,216:34:0	
542	97	234	06:59:19.333	488CA6B	6TMSED	NORM,HL8	Sci, Eng, and D/L Chan	100	4	0	4,097,218:02:0	
543	97	234	16:45:00.000	488CB6A	6TMSED	NORM,EL8	Sci, Eng, and D/L Chan	100	4	0	4,097,797:24:0	
544	97	234	16:45:00.666	282NP432A431A6A	6RCDSL	DDSNCG,PLSDSL,EP	Record Deselect (DDS o	100	4	0	4,097,797:25:0	
545	97	234	16:45:01.333	282NP432A6A	6RTSL1		RT Select of DDS and	100	4	0	4,097,797:26:0	
546	97	234	16:53:00.000	488CB6B	6TMSED	NORM,EH8	Sci, Eng, and D/L Chan	100	4	0	4,097,805:16:0	
547	97	234	16:57:52.666	176SH6A	6TMREC	PPB	PAUSE PLAYBACK (PB CONTROL)	100	4	0	4,097,810:00:0	
548	97	234	16:59:15.333	488CB6C	6TMSED	NORM,IEH7	Sci, Eng, and D/L Chan	100	4	0	4,097,811:33:0	

Line	YR	DOY	SCET - GMT	PSID	Command	Parameters	Description	GCM	GO	GS	RIM	MFI
549	97	234	17:02:00.000	20UW4B	7SLEW	DIS,POS,0.0	Stator movement	100	4	0	4,097,814:07.0	
550	97	234	17:03:00.000	20UW4D	7MODE	SPNL	AACS ALL-SPIN LOW	100	4	0	4,097,815:06.0	
551	97	234	17:05:00.000	20UW4E	7SAFE	UNSTOW	SIP TO 153 deg cone	100	4	0	4,097,817:04.0	
552	97	234	17:10:30.000	20UW4G	7VENT	0.611,1.333,8	ALERT -- Thruster fire	100	4	0	4,097,822:44.0	
553	97	234	17:10:30.666	20UW4H	7VENT	0.611,10.989,8	ALERT -- Thruster fire	100	4	0	4,097,822:45.0	
554	97	234	17:10:50.666	20UW4I	7VENT	0.611,1.333,6	ALERT -- Thruster fire	100	4	0	4,097,822:75.0	
555	97	234	17:10:51.333	20UW4J	7VENT	0.611,10.989,6	ALERT -- Thruster fire	100	4	0	4,097,822:76.0	
556	97	234	17:11:11.333	20UW4K	7VENT	0.611,1.333,4	ALERT -- Thruster fire	100	4	0	4,097,823:15.0	
557	97	234	17:11:12.000	20UW4L	7VENT	0.611,0.666,5	ALERT -- Thruster fire	100	4	0	4,097,823:16.0	
558	97	234	17:11:22.000	20UW4M	7VENT	0.611,1.333,4	ALERT -- Thruster fire	100	4	0	4,097,823:31.0	
559	97	234	17:11:22.666	20UW4N	7VENT	0.611,0.666,5	ALERT -- Thruster fire	100	4	0	4,097,823:32.0	
560	97	234	17:11:32.666	20UW4O	7VENT	1.211,1.333,10	ALERT -- Thruster fire	100	4	0	4,097,823:47.0	
561	97	234	17:11:33.333	20UW4P	7VENT	1.211,0.666,12	ALERT -- Thruster fire	100	4	0	4,097,823:48.0	
562	97	234	17:13:20.000	20UW4S	7VENT	0.611,1.333,7	ALERT -- Thruster fire	100	4	0	4,097,825:26.0	
563	97	234	17:13:20.666	20UW4T	7VENT	0.611,10.989,7	ALERT -- Thruster fire	100	4	0	4,097,825:27.0	
564	97	234	17:13:40.666	20UW4U	7VENT	0.611,1.333,1	ALERT -- Thruster fire	100	4	0	4,097,825:57.0	
565	97	234	17:13:41.333	20UW4V	7VENT	0.611,10.989,1	ALERT -- Thruster fire	100	4	0	4,097,825:58.0	
566	97	234	17:14:01.333	20UW4AC	7VENT	0.611,1.333,2	ALERT -- Thruster fire	100	4	0	4,097,825:88.0	
567	97	234	17:14:02.000	20UW4AD	7VENT	0.611,0.666,3	ALERT -- Thruster fire	100	4	0	4,097,825:89.0	
568	97	234	17:14:12.000	20UW4AE	7VENT	0.611,1.333,2	ALERT -- Thruster fire	100	4	0	4,097,826:13.0	
569	97	234	17:14:12.666	20UW4AF	7VENT	0.611,0.666,3	ALERT -- Thruster fire	100	4	0	4,097,826:14.0	
570	97	234	17:14:22.666	20UW4AW	7VENT	1.211,1.333,9	ALERT -- Thruster fire	100	4	0	4,097,826:29.0	
571	97	234	17:14:23.333	20UW4X	7VENT	1.211,0.666,11	ALERT -- Thruster fire	100	4	0	4,097,826:30.0	
572	97	234	17:15:20.000	20UW4Z	7MODE	CRU	AACS CRUISE MODE	100	4	0	4,097,827:24.0	
573	97	234	17:34:59.333	432PJ431A6A	6RCDL	DDSNCG,PLSNCG,EP	Record Deselect (DDS o	100	4	0	4,097,846:64.0	
574	97	234	17:35:00.000	432PJ6A	6RTSL1		RT Select of DDS and	100	4	0	4,097,846:65.0	
575	97	234	17:41:04.000	20UJ4A	7SAFE	STOP	SIP NO MOVEMENT	100	4	0	4,097,852:65.0	
576	97	234	17:41:54.000	20UJ4B	7SLEW	DIS,POS,0.0	Stator movement	100	4	0	4,097,853:49.0	
577	97	234	17:43:22.666	176S16A	6TMREC	RPB	RESUME PLAYBACK (PB CONTROL) Record Mode	100	4	0	4,097,855:00.0	
578	97	234	18:09:39.333	488CB6D	6TMSED	NORM,IEH6	Sci, Eng, and D/L Chan	100	4	0	4,097,880:90.0	
579	97	234	18:33:07.333	488CB6E	6TMSED	NORM,IEH4	Sci, Eng, and D/L Chan	100	4	0	4,097,904:18.0	
580	97	234	19:00:51.333	488CC6A	6TMSED	NORM,IEH5	Sci, Eng, and D/L Chan	100	4	0	4,097,931:57.0	
581	97	234	19:05:00.000	488CC6B	6TMSED	NORM,IE5	Sci, Eng, and D/L Chan	100	4	0	4,097,935:66.0	
582	97	234	19:58:49.266	488CC6C	6TMSED	FILL,EL5	Sci, Eng, and D/L Chan	100	4	0	4,097,988:87.0	
583	97	234	20:27:55.933	488CC6D	6TMSED	NORM,IE5	Sci, Eng, and D/L Chan	100	4	0	4,098,017:68.0	
584	97	234	20:41:07.266	488CC6E	6TMSED	NORM,IE6	Sci, Eng, and D/L Chan	100	4	0	4,098,030:72.0	
585	97	234	23:57:29.266	176BQ6A	6TMREC	PPB	PAUSE PLAYBACK (PB CONTROL) Record Mode C	100	4	0	4,098,225:00.0	
586	97	235	00:00:30.600	165BT4A	7SCAN	NORM,312.362,-20	Check S/P Position	100	4	0	4,098,227:90.0	
587	97	235	00:04:39.266	20UD4A	7SAFE	STOP	SIP NO MOVEMENT	100	4	0	4,098,232:08.0	
588	97	235	00:05:29.266	20UD4B	7SLEW	DIS,POS,0.0	Stator movement	100	4	0	4,098,232:83.0	
589	97	235	00:06:35.266	176BR6A	6TMREC	RPB	RESUME PLAYBACK (PB CONTROL) Record Mode	100	4	0	4,098,234:00.0	
590	97	235	00:59:15.266	488CD6A	6TMSED	NORM,IE5	Sci, Eng, and D/L Chan	100	4	0	4,098,286:08.0	
591	97	235	02:22:27.266	488CD6B	6TMSED	NORM,IE6	Sci, Eng, and D/L Chan	100	4	0	4,098,368:34.0	
592	97	235	03:10:12.600	488CD6C	6TMSED	FILL,EL6	Sci, Eng, and D/L Chan	100	4	0	4,098,415:55.0	
593	97	235	03:37:01.933	488CD6D	6TMSED	NORM,IE6	Sci, Eng, and D/L Chan	100	4	0	4,098,442:12.0	
594	97	235	05:21:39.266	488CD6E	6TMSED	NORM,IE7	Sci, Eng, and D/L Chan	100	4	0	4,098,545:55.0	
595	97	235	06:44:59.933	488CE6A	6TMSED	NORM,HL7	Sci, Eng, and D/L Chan	100	4	0	4,098,628:03.0	
596	97	235	06:45:00.600	282NT432A431A6A	6RCDL	DDSNCG,PLSDSL,EP	Record Deselect (DDS o	100	4	0	4,098,628:04.0	
597	97	235	06:45:01.266	282NT432A6A	6RTSL1		RT Select of DDS and	100	4	0	4,098,628:05.0	
598	97	235	06:46:59.266	176KE6A	6TMREC	PPB	PAUSE PLAYBACK (PB CONTROL) Record Mode C	100	4	0	4,098,630:00.0	
599	97	235	06:48:49.266	488CE6B	6TMSED	FILL,HL7	Sci, Eng, and D/L Chan	100	4	0	4,098,631:74.0	
600	97	235	06:49:00.600	465KX6A	6DMST		350 DMS Slew to TIC	100	4	0	4,098,632:00.0	
601	97	235	06:49:00.600	DMS:		: *E4-DELAY	RDY, TRACK 1, FWD, TIC 280.59 +/-	100	4	0	4,098,632:00.0	
602	97	235	06:49:00.600	DMS:		: *SLEW-TIC	P7, TRACK *1, *FWD, TIC 280.59 +/-	100	4	0	4,098,632:00.0	
603	97	235	06:49:07.266	DMS:		: *RUNUP	P7, TRACK 1, FWD, TIC 280.59 +/-	100	4	0	4,098,632:10.0	

Line	YR	DOY	SCET - GMT	PSID	Command	Parameters	Description	GCM	GO	GS	RIM	MFI
604	97	235	06:49:08.666		DMS:	: *AT_SPD	P7, TRACK 1, FWD, TIC * 280.71 +/-	100	4	0	4,098,632:12:1	
605	97	235	06:51:15.266	488CE6C	6TMSED	FILL,HL8	Sci, Eng, and D/L Chan	100	4	0	4,098,634:20:0	
606	97	235	06:52:55.266	488CE6D	6TMSED	NORM,HL8	Sci, Eng, and D/L Chan	100	4	0	4,098,635:79:0	
607	97	235	06:53:54.733		DMS:	: * RUNDOWN	P7, TRACK 1, FWD, TIC * 347.94 +/-	100	4	0	4,098,636:77:2	
608	97	235	06:53:55.933		DMS:	: *READY	RDY, TRACK 1, FWD, TIC * 348.00 +/-	100	4	0	4,098,636:79:0	
609	97	235	10:44:59.933	488CE6E	6TMSED	NORM,IL8	Sci, Eng, and D/L Chan	100	4	0	4,098,865:36:0	
610	97	235	13:54:41.266		DMS:	: READY	RDY, TRACK *3, FWD, TIC 348.00 +/-	100	4	0	4,099,053:00:0	
611	97	235	13:54:41.266	465KY6A	6DMSC	RDY,3	DMS Control Tape stop	100	4	0	4,099,053:00:0	
612	97	235	13:54:59.933	41SK99A	POWER	PWR MODE change	Change to Data Taking Mode	100	4	0	4,099,053:28:0	
613	97	235	13:55:03.933	41SK3A	40T1PR		1 PCT Heater 1 OFF (primary relay)	100	4	0	4,099,053:34:0	
614	97	235	13:55:13.933	41SK3B	40T1PR		2 PCT Heater 1 OFF (primary relay)	100	4	0	4,099,053:49:0	
615	97	235	13:55:23.933	41SK3C	40T2R		1 PCT Heater 2 OFF	100	4	0	4,099,053:64:0	
616	97	235	13:55:33.933	41SK3D	40T2R		2 PCT Heater 2 OFF	100	4	0	4,099,053:79:0	
617	97	235	14:07:39.266	175MH422A6A	6DMSC	R7,3	DMS Control	100	4	0	4,099,065:75:0	
618	97	235	14:07:39.266		DMS:	: *E4-DELAY	RDY, TRACK *1, FWD, TIC 348.00 +/-	100	4	0	4,099,065:75:0	
619	97	235	14:07:45.933		DMS:	: *RUNUP	R7, TRACK *3, FWD, TIC 348.00 +/-	100	4	0	4,099,065:85:0	
620	97	235	14:07:47.266	282NI431A6A	6RCSEL	DDSNCG,PLSSEL,EP	Record Select (DDS onl)	100	4	0	4,099,065:87:0	
621	97	235	14:07:47.266	175MH176A6A	6TMREC	LPW	7.68 KBPS LOW RATE SCI PWS RECORD Record	100	4	0	4,099,065:87:0	
622	97	235	14:07:47.333		DMS:	: *AT_SPD	R7, TRACK 3, FWD, TIC 348.12 +/-	100	4	0	4,099,065:87:1	
623	97	235	14:07:47.333		DMS:	: * RECORD	R7, TRACK 3, FWD, TIC * 348.12 +/-	100	4	0	4,099,065:87:1	
624	97	235	14:07:49.933	431OM6A	6RCSEL	DDSNCG,PLSNCG,EP	Record Select (DDS onl)	100	4	0	4,099,066:00:0	
625	97	235	16:09:11.933	432OM431A6A	6RCDSL	DDSNCG,PLSNCG,EP	Record Deselect (DDS o	100	4	0	4,099,186:03:0	
626	97	235	16:09:11.933		DMS:	: * RUNDOWN	R7, TRACK 3, FWD, TIC *2055.45 +/-	100	4	0	4,099,186:03:0	
627	97	235	16:09:11.933	175MH422A6B	6DMSC	RDY,0	DMS Control Tape stop	100	4	0	4,099,186:03:0	
628	97	235	16:09:13.133	432OM6A	6RTSL1		RT Select of DDS and	100	4	0	4,099,186:04:0	
629	97	235	16:09:13.133		DMS:	: *READY	RDY, TRACK 3, FWD, TIC *2055.51 +/-	100	4	0	4,099,186:04:8	
630	97	235	16:09:15.933	282NJ431A6A	6RCDSL	DDSNCG,PLSDSL,EP	Record Deselect (DDS o	100	4	0	4,099,186:09:0	
631	97	235	16:10:05.266	282NJ432A431A6A	6RCDSL	DDSNCG,PLSDSL,EP	Record Deselect (DDS o	100	4	0	4,099,186:83:0	
632	97	235	16:10:05.933	282NJ432A6A	6RTSL1		RT Select of DDS and	100	4	0	4,099,186:84:0	
633	97	235	16:14:59.933	41SV99A	POWER	PWR MODE change	Change to Maneuver/Playback Mode	100	4	0	4,099,191:70:0	
634	97	235	16:16:53.933	41SV3G	40T1P		1 PCT Heater 1 ON (primary relay)	100	4	0	4,099,193:59:0	
635	97	235	16:17:03.933	41SV3H	40T1P		2 PCT Heater 1 ON (primary relay)	100	4	0	4,099,193:74:0	
636	97	235	16:17:13.933	41SV3I	40T2		1 PCT Heater 2 ON	100	4	0	4,099,193:89:0	
637	97	235	16:17:23.933	41SV3J	40T2		2 PCT Heater 2 ON	100	4	0	4,099,194:13:0	
638	97	235	16:23:19.266		DMS:	: *SLEW-TIC	P7, TRACK *1, FWD, TIC 2055.51 +/-	100	4	0	4,099,200:00:0	
639	97	235	16:23:19.266	465WK6A	6DMST		5000 DMS Slew to TIC	100	4	0	4,099,200:00:0	
640	97	235	16:23:19.266		DMS:	: *E4-DELAY	RDY, TRACK 1, FWD, TIC 2055.51 +/-	100	4	0	4,099,200:00:0	
641	97	235	16:23:25.933		DMS:	: *RUNUP	P7, TRACK 1, FWD, TIC 2055.51 +/-	100	4	0	4,099,200:10:0	
642	97	235	16:23:27.333		DMS:	: *AT_SPD	P7, TRACK 1, FWD, TIC *2055.63 +/-	100	4	0	4,099,200:12:1	
643	97	235	16:59:15.266	488CF6A	6TMSED	NORM,IL7	Sci, Eng, and D/L Chan	100	4	0	4,099,235:49:0	
644	97	235	17:29:59.933	488CF6B	6TMSED	NORM,GL7	Sci, Eng, and D/L Chan	100	4	0	4,099,265:86:0	
645	97	235	18:09:39.266	488CF6C	6TMSED	NORM,GL6	Sci, Eng, and D/L Chan	100	4	0	4,099,305:15:0	
646	97	235	18:33:07.266	488CF6D	6TMSED	NORM,GL4	Sci, Eng, and D/L Chan	100	4	0	4,099,328:34:0	
647	97	235	18:52:19.266	488CF6E	6TMSED	NORM,GL5	Sci, Eng, and D/L Chan	100	4	0	4,099,347:33:0	
648	97	235	19:26:27.266	488CG6A	6TMSED	NORM,GL6	Sci, Eng, and D/L Chan	100	4	0	4,099,381:11:0	
649	97	235	19:52:40.066		DMS:	: * RUNDOWN	P7, TRACK 1, FWD, TIC *4997.94 +/-	100	4	0	4,099,407:04:2	
650	97	235	19:52:41.266		DMS:	: *READY	RDY, TRACK 1, FWD, TIC *4998.00 +/-	100	4	0	4,099,407:06:0	
651	97	235	22:17:00.600	465WL6A	6DMSC	P100,4	DMS Control Tape P/B 100.8kbps	100	4	0	4,099,549:73:0	
652	97	235	22:17:00.600		DMS:	: *US-RUNUP	P7, TRACK 1, FWD, TIC 4998.00 +/-	100	4	0	4,099,549:73:0	
653	97	235	22:17:02.000		DMS:	: *US AT SP	P7, TRACK 1, FWD, TIC *4998.12 +/-	100	4	0	4,099,549:75:1	
654	97	235	22:17:07.266		DMS:	: *US_RD	P7, TRACK 1, FWD, TIC *4999.35 +/-	100	4	0	4,099,549:83:0	
655	97	235	22:17:08.466		DMS:	: *RUNUP	P100, TRACK *4, *REV, TIC *4999.41 +/-	100	4	0	4,099,549:84:8	
656	97	235	22:17:12.333		DMS:	: *AT_SPD	P100, TRACK 4, REV, TIC 4993.91 +/-	100	4	0	4,099,549:90:6	
657	97	235	22:17:12.333		DMS:	: *P_SLEW	P100, TRACK 4, REV, TIC *4993.91 +/-	100	4	0	4,099,549:90:6	
658	97	235	22:42:52.600	465WL6B	6DMSC	RDY,4	DMS Control Tape stop	100	4	0	4,099,575:35:0	

Line	YR	DOY	SCET - GMT	PSID	Command	Parameters	Description	GCM	GO	GS	RIM	MFI
659	97	235	22:42:52.600		DMS:	: *RUNDOWN	P100, TRACK 4, REV, TIC * 255.79 +/-	100	4	0	4,099,575:35:0	
660	97	235	22:42:53.800		DMS:	: *READY	RDY, TRACK 4, REV, TIC * 254.99 +/-	100	4	0	4,099,575:36:8	
661	97	236	00:29:59.933	488CG6B	6TMSD	NORM,EL6	Sci, Eng, and D/L Chan	100	4	0	4,099,681:30:0	
662	97	236	00:30:00.600	282NS432A431A6A	6RCDL	DDSNCG,PLSDSL,EP	Record Deselect (DDS o	100	4	0	4,099,681:31:0	
663	97	236	00:30:01.266	282NS432A6A	6RTSL1		RT Select of DDS and	100	4	0	4,099,681:32:0	
664	97	236	00:35:47.933	488CG6C	6TMSD	NORM,EH6	Sci, Eng, and D/L Chan	100	4	0	4,099,687:06:0	
665	97	236	00:45:43.933	465WM6A	6DTRN	CMD,6DTRN,465WM6	DMS TRACK TURNAROUND	100	4	0	4,099,696:81:0	
666	97	236	00:45:43.933		DMS:	: *US-RUNUP	P7, TRACK *1, *FWD, TIC 254.99 +/-	100	4	0	4,099,696:81:0	
667	97	236	00:45:43.933		DMS:	: *DMS-TURN	P7, TRACK 4, REV, TIC 254.99 +/-	100	4	0	4,099,696:81:0	
668	97	236	00:45:45.333		DMS:	: *US_AT_SP	P7, TRACK 1, FWD, TIC * 255.11 +/-	100	4	0	4,099,696:83:1	
669	97	236	00:45:50.600		DMS:	: *US_RD	P7, TRACK 1, FWD, TIC * 256.34 +/-	100	4	0	4,099,697:00:0	
670	97	236	00:45:51.800		DMS:	: *RUNUP	P7, TRACK *4, *REV, TIC * 256.40 +/-	100	4	0	4,099,697:01:8	
671	97	236	00:45:53.200		DMS:	: *AT_SPD	P7, TRACK 4, REV, TIC * 256.28 +/-	100	4	0	4,099,697:03:9	
672	97	236	00:49:53.866		DMS:	: *REVERSE	P7, TRACK 4, REV, TIC * 199.87 +/-	100	4	0	4,099,701:00:9	
673	97	236	00:49:55.066		DMS:	: *RUNUP	P7, TRACK 1, FWD, TIC 199.81 +/-	100	4	0	4,099,701:02:7	
674	97	236	00:49:55.066		DMS:	: *TURNARND	P7, TRACK *1, *FWD, TIC * 199.81 +/-	100	4	0	4,099,701:02:7	
675	97	236	00:49:56.466		DMS:	: *AT_SPD	P7, TRACK 1, FWD, TIC * 199.93 +/-	100	4	0	4,099,701:04:8	
676	97	236	00:50:08.466		DMS:	: *AUTOSTOP	P7, TRACK 1, FWD, TIC * 202.06 +/-	100	4	0	4,099,701:22:8	
677	97	236	00:50:09.666		DMS:	: *READY	RDY, TRACK 1, FWD, TIC * 202.12 +/-	100	4	0	4,099,701:24:6	
678	97	236	00:56:47.266		DMS:	: *E4-DELAY	RDY, TRACK 1, FWD, TIC 202.12 +/-	100	4	0	4,099,707:75:0	
679	97	236	00:56:47.266	465WN6A	6DMSC	P100,1	DMS Control Tape P/B 100.8kpbs	100	4	0	4,099,707:75:0	
680	97	236	00:56:53.933		DMS:	: *RUNUP	P100, TRACK 1, FWD, TIC 202.12 +/-	100	4	0	4,099,707:85:0	
681	97	236	00:56:57.800		DMS:	: *P_SLEW	P100, TRACK 1, FWD, TIC * 207.62 +/-	100	4	0	4,099,707:90:8	
682	97	236	00:56:57.800		DMS:	: *AT_SPD	P100, TRACK 1, FWD, TIC 207.62 +/-	100	4	0	4,099,707:90:8	
683	97	236	01:28:41.266	465WN6B	6DMSC	RDY,1	DMS Control Tape stop	100	4	0	4,099,739:34:0	
684	97	236	01:28:41.266		DMS:	: *RUNDOWN	P100, TRACK 1, FWD, TIC *6063.01 +/-	100	4	0	4,099,739:34:0	
685	97	236	01:28:42.466		DMS:	: *READY	RDY, TRACK 1, FWD, TIC *6063.81 +/-	100	4	0	4,099,739:35:8	
686	97	236	01:44:03.266	488CH6A	6TMSD	NORM,EH5	Sci, Eng, and D/L Chan	100	4	0	4,099,754:52:0	
687	97	236	01:44:17.266		DMS:	: *US-RUNUP	P7, TRACK 1, FWD, TIC 6063.81 +/-	100	4	0	4,099,754:73:0	
688	97	236	01:44:17.266	465WO6A	6DMSC	P100,2	DMS Control Tape P/B 100.8kpbs	100	4	0	4,099,754:73:0	
689	97	236	01:44:18.666		DMS:	: *US_AT_SP	P7, TRACK 1, FWD, TIC *6063.93 +/-	100	4	0	4,099,754:75:1	
690	97	236	01:44:23.933		DMS:	: *US_RD	P7, TRACK 1, FWD, TIC *6065.17 +/-	100	4	0	4,099,754:83:0	
691	97	236	01:44:25.133		DMS:	: *RUNUP	P100, TRACK *2, *REV, TIC *6065.23 +/-	100	4	0	4,099,754:84:8	
692	97	236	01:44:29.000		DMS:	: *P_SLEW	P100, TRACK 2, REV, TIC *6059.73 +/-	100	4	0	4,099,754:90:6	
693	97	236	01:44:29.000		DMS:	: *AT_SPD	P100, TRACK 2, REV, TIC 6059.73 +/-	100	4	0	4,099,754:90:6	
694	97	236	02:16:03.200	488CH6B	6TMSD	NORM,EH6	Sci, Eng, and D/L Chan	100	4	0	4,099,786:20:0	
695	97	236	02:16:25.200	465WP6A	6DMSC	P100,3	DMS Control Tape P/B 100.8kpbs	100	4	0	4,099,786:53:0	
696	97	236	02:16:25.200		DMS:	: *RUNDOWN	P100, TRACK 2, REV, TIC * 165.17 +/-	100	4	0	4,099,786:53:0	
697	97	236	02:16:26.400		DMS:	: *RUNUP	P100, TRACK *3, *FWD, TIC * 164.37 +/-	100	4	0	4,099,786:54:8	
698	97	236	02:16:30.266		DMS:	: *AT_SPD	P100, TRACK 3, FWD, TIC 169.87 +/-	100	4	0	4,099,786:60:6	
699	97	236	02:16:30.266		DMS:	: *P_SLEW	P100, TRACK 3, FWD, TIC * 169.87 +/-	100	4	0	4,099,786:60:6	
700	97	236	02:48:25.866	465WP6B	6DMSC	RDY,3	DMS Control Tape stop	100	4	0	4,099,818:22:0	
701	97	236	02:48:25.866		DMS:	: *RUNDOWN	P100, TRACK 3, FWD, TIC *6062.58 +/-	100	4	0	4,099,818:22:0	
702	97	236	02:48:27.066		DMS:	: *READY	RDY, TRACK 3, FWD, TIC *6063.38 +/-	100	4	0	4,099,818:23:8	
703	97	236	03:03:09.200	465WQ6A	6DMSC	P100,4	DMS Control Tape P/B 100.8kpbs	100	4	0	4,099,832:73:0	
704	97	236	03:03:09.200		DMS:	: *US-RUNUP	P7, TRACK *1, FWD, TIC 6063.38 +/-	100	4	0	4,099,832:73:0	
705	97	236	03:03:10.600		DMS:	: *US_AT_SP	P7, TRACK 1, FWD, TIC *6063.50 +/-	100	4	0	4,099,832:75:1	
706	97	236	03:03:15.866		DMS:	: *US_RD	P7, TRACK 1, FWD, TIC *6064.74 +/-	100	4	0	4,099,832:83:0	
707	97	236	03:03:17.066		DMS:	: *RUNUP	P100, TRACK *4, *REV, TIC *6064.80 +/-	100	4	0	4,099,832:84:8	
708	97	236	03:03:20.933		DMS:	: *P_SLEW	P100, TRACK 4, REV, TIC *6059.30 +/-	100	4	0	4,099,832:90:6	
709	97	236	03:03:20.933		DMS:	: *AT_SPD	P100, TRACK 4, REV, TIC 6059.30 +/-	100	4	0	4,099,832:90:6	
710	97	236	03:35:16.533	465WR6A	6DMSC	P100,3	DMS Control Tape P/B 100.8kpbs	100	4	0	4,099,864:52:0	
711	97	236	03:35:16.533		DMS:	: *RUNDOWN	P100, TRACK 4, REV, TIC * 166.58 +/-	100	4	0	4,099,864:52:0	
712	97	236	03:35:17.733		DMS:	: *RUNUP	P100, TRACK *3, *FWD, TIC * 165.78 +/-	100	4	0	4,099,864:53:8	
713	97	236	03:35:21.600		DMS:	: *AT_SPD	P100, TRACK 3, FWD, TIC 171.28 +/-	100	4	0	4,099,864:59:6	

Line	YR	DOY	SCET - GMT	PSID	Command	Parameters	Description	GCM	GO	GS	RIM	MFI
714	97	236	03:35:21.600		DMS:	:*P_SLEW	P100, TRACK 3, FWD, TIC * 171.28 +/-	100	4	0	4,099,864:59:6	
715	97	236	03:36:22.533	465WR6B	6DMSC	RDY,3	DMS Control Tape stop	100	4	0	4,099,865:60:0	
716	97	236	03:36:22.533		DMS:	:*RUNDOWN	P100, TRACK 3, FWD, TIC * 358.72 +/-	100	4	0	4,099,865:60:0	
717	97	236	03:36:23.733		DMS:	:*READY	RDY, TRACK 3, FWD, TIC * 359.52 +/-	100	4	0	4,099,865:61:8	
718	97	236	03:50:52.533	465WS6A	6DMSC	RDY,4	DMS Control Tape stop	100	4	0	4,099,880:00:0	
719	97	236	03:50:52.533		DMS:	:*READY	RDY, TRACK *4, *REV, TIC 359.52 +/-	100	4	0	4,099,880:00:0	
720	97	236	03:51:46.533		DMS:	:*US-RUNUP	P7, TRACK *1, *FWD, TIC 359.52 +/-	100	4	0	4,099,880:81:0	
721	97	236	03:51:46.533		DMS:	:*DMS-TURN	P7, TRACK 4, REV, TIC 359.52 +/-	100	4	0	4,099,880:81:0	
722	97	236	03:51:46.533	465WT6A	6DTRN	CMD,6DTRN,465WT6	DMS TRACK TURNAROUND	100	4	0	4,099,880:81:0	
723	97	236	03:51:47.933		DMS:	:*US_AT_SP	P7, TRACK 1, FWD, TIC * 359.64 +/-	100	4	0	4,099,880:83:1	
724	97	236	03:51:53.200		DMS:	:*US_RD	P7, TRACK 1, FWD, TIC * 360.88 +/-	100	4	0	4,099,881:00:0	
725	97	236	03:51:54.400		DMS:	:*RUNUP	P7, TRACK *4, *REV, TIC * 360.94 +/-	100	4	0	4,099,881:01:8	
726	97	236	03:51:55.800		DMS:	:*AT_SPD	P7, TRACK 4, REV, TIC * 360.82 +/-	100	4	0	4,099,881:03:9	
727	97	236	04:03:22.466		DMS:	:*REVERSE	P7, TRACK 4, REV, TIC * 199.87 +/-	100	4	0	4,099,892:32:9	
728	97	236	04:03:23.666		DMS:	:*TURNARND	P7, TRACK *1, *FWD, TIC * 199.81 +/-	100	4	0	4,099,892:34:7	
729	97	236	04:03:23.666		DMS:	:*RUNUP	P7, TRACK 1, FWD, TIC 199.81 +/-	100	4	0	4,099,892:34:7	
730	97	236	04:03:25.066		DMS:	:*AT_SPD	P7, TRACK 1, FWD, TIC * 199.93 +/-	100	4	0	4,099,892:36:8	
731	97	236	04:03:37.066		DMS:	:*AUTOSTOP	P7, TRACK 1, FWD, TIC * 202.06 +/-	100	4	0	4,099,892:54:8	
732	97	236	04:03:38.266		DMS:	:*READY	RDY, TRACK 1, FWD, TIC * 202.12 +/-	100	4	0	4,099,892:56:6	
733	97	236	04:15:47.866	488CH6C	6TMSED	NORM,EL6	Sci, Eng, and D/L Chan	100	4	0	4,099,904:59:0	
734	97	236	04:30:03.866	20UM4A	7SAFE	STOP	SIP NO MOVEMENT	100	4	0	4,099,918:69:0	
735	97	236	04:30:53.866	20UM4B	7SLEW	DIS,POS,0.0	Stator movement	100	4	0	4,099,919:53:0	
736	97	236	04:32:19.866	176SU6A	6TMREC	RPB	RESUME PLAYBACK (PB CONTROL) Record Mode	100	4	0	4,099,921:00:0	
737	97	236	05:10:59.200	488CH6D	6TMSED	NORM,EL7	Sci, Eng, and D/L Chan	100	4	0	4,099,959:21:0	
738	97	236	06:44:33.200	488CH6E	6TMSED	FILL,EL7	Sci, Eng, and D/L Chan	100	4	0	4,100,051:70:0	
739	97	236	06:46:59.200	488CI6A	6TMSED	FILL,EL8	Sci, Eng, and D/L Chan	100	4	0	4,100,054:16:0	
740	97	236	06:48:39.200	488CI6B	6TMSED	NORM,EL8	Sci, Eng, and D/L Chan	100	4	0	4,100,055:75:0	
741	97	236	06:59:59.866	488CI6C	6TMSED	NORM,HL8	Sci, Eng, and D/L Chan	100	4	0	4,100,067:04:0	
742	97	236	07:00:00.533	282NQ432A431A6A	6RCDSL	DDSNCG,PLSDSL,EP	Record Deselect (DDS o	100	4	0	4,100,067:05:0	
743	97	236	07:00:01.200	282NR432A6A	6RTSL1		R/T Select of DDS and	100	4	0	4,100,067:06:0	
744	97	236	16:52:51.200	488CJ6A	6TMSED	NORM,HL7	Sci, Eng, and D/L Chan	100	4	0	4,100,653:35:0	
745	97	236	16:59:59.866	488CJ6B	6TMSED	NORM,AL7	Sci, Eng, and D/L Chan	100	4	0	4,100,660:41:0	
746	97	236	17:00:00.533	282NR432A431A6A	6RCDSL	DDSNCG,PLSDSL,EP	Record Deselect (DDS o	100	4	0	4,100,660:42:0	
747	97	236	17:00:01.200	282NR432A6A	6RTSL1		R/T Select of DDS and	100	4	0	4,100,660:43:0	
748	97	236	18:03:15.200	488CJ6C	6TMSED	NORM,AL6	Sci, Eng, and D/L Chan	100	4	0	4,100,723:01:0	
749	97	236	18:28:51.200	488CJ6D	6TMSED	NORM,AL5	Sci, Eng, and D/L Chan	100	4	0	4,100,748:30:0	
750	97	236	19:22:11.200	488CJ6E	6TMSED	NORM,AL6	Sci, Eng, and D/L Chan	100	4	0	4,100,801:07:0	
751	97	237	01:44:03.200	488CK6A	6TMSED	NORM,AL5	Sci, Eng, and D/L Chan	100	4	0	4,101,178:68:0	
752	97	237	02:11:47.200	488CK6B	6TMSED	NORM,AL6	Sci, Eng, and D/L Chan	100	4	0	4,101,206:16:0	
753	97	237	05:02:27.200	488CK6C	6TMSED	NORM,AL7	Sci, Eng, and D/L Chan	100	4	0	4,101,374:88:0	
754	97	237	06:38:08.533	488CK6D	6TMSED	FILL,AL7	Sci, Eng, and D/L Chan	100	4	0	4,101,469:55:0	
755	97	237	06:40:35.200	488CK6E	6TMSED	FILL,AL8	Sci, Eng, and D/L Chan	100	4	0	4,101,472:02:0	
756	97	237	06:42:15.200	488CL6A	6TMSED	NORM,AL8	Sci, Eng, and D/L Chan	100	4	0	4,101,473:61:0	
757	97	237	16:52:51.133	488CM6A	6TMSED	NORM,AL7	Sci, Eng, and D/L Chan	100	4	0	4,102,077:51:0	
758	97	237	17:58:59.133	488CM6B	6TMSED	NORM,AL6	Sci, Eng, and D/L Chan	100	4	0	4,102,142:88:0	
759	97	237	18:24:35.133	488CM6C	6TMSED	NORM,AL4	Sci, Eng, and D/L Chan	100	4	0	4,102,168:26:0	
760	97	237	18:26:48.466	488CM6D	6TMSED	FILL,AL4	Sci, Eng, and D/L Chan	100	4	0	4,102,170:44:0	
761	97	237	18:33:07.133	488CM6E	6TMSED	FILL,AL3	Sci, Eng, and D/L Chan	100	4	0	4,102,176:66:0	
762	97	237	18:47:12.466	488CN6A	6TMSED	NORM,AL3	Sci, Eng, and D/L Chan	100	4	0	4,102,190:60:0	
763	97	237	18:56:35.133	488CN6B	6TMSED	NORM,AL5	Sci, Eng, and D/L Chan	100	4	0	4,102,199:85:0	
764	97	237	19:53:54.466	488CN6C	6TMSED	FILL,AL5	Sci, Eng, and D/L Chan	100	4	0	4,102,256:57:0	
765	97	237	20:23:00.466	488CN6D	6TMSED	NORM,AL5	Sci, Eng, and D/L Chan	100	4	0	4,102,285:37:0	
766	97	237	20:26:11.133	488CN6E	6TMSED	NORM,AL6	Sci, Eng, and D/L Chan	100	4	0	4,102,288:50:0	
767	97	238	00:48:35.133	488CO6A	6TMSED	NORM,AL5	Sci, Eng, and D/L Chan	100	4	0	4,102,548:06:0	
768	97	238	02:07:31.133	488CO6B	6TMSED	NORM,AL6	Sci, Eng, and D/L Chan	100	4	0	4,102,626:12:0	

Line	YR	DOY	SCET - GMT	PSID	Command	Parameters	Description	GCM	GO	GS	RIM	MFI
769	97	238	02:55:17.800	488CO6C	6TMSED	FILL,AL6	Sci, Eng, and D/L Chan	100	4	0	4,102,673:35:0	
770	97	238	03:22:07.133	488CO6D	6TMSED	NORM,AL6	Sci, Eng, and D/L Chan	100	4	0	4,102,699:83:0	
771	97	238	04:56:03.133	488CO6E	6TMSED	NORM,AL7	Sci, Eng, and D/L Chan	100	4	0	4,102,792:74:0	
772	97	238	06:33:53.133	488CP6A	6TMSED	FILL,AL7	Sci, Eng, and D/L Chan	100	4	0	4,102,889:52:0	
773	97	238	06:36:19.133	488CP6B	6TMSED	FILL,AL8	Sci, Eng, and D/L Chan	100	4	0	4,102,891:89:0	
774	97	238	06:37:59.133	488CP6C	6TMSED	NORM,AL8	Sci, Eng, and D/L Chan	100	4	0	4,102,893:57:0	
775	97	238	07:23:31.133	488CP6D	6TMSED	FILL,AL8	Sci, Eng, and D/L Chan	100	4	0	4,102,938:60:0	
776	97	238	08:28:55.800	488CP6E	6TMSED	NORM,AL8	Sci, Eng, and D/L Chan	100	4	0	4,103,003:32:0	
777	97	238	16:48:35.066	488CQ6A	6TMSED	NORM,AL7	Sci, Eng, and D/L Chan	100	4	0	4,103,497:47:0	
778	97	238	17:54:43.066	488CQ6B	6TMSED	NORM,AL6	Sci, Eng, and D/L Chan	100	4	0	4,103,562:84:0	
779	97	238	18:18:11.066	488CQ6C	6TMSED	NORM,AL4	Sci, Eng, and D/L Chan	100	4	0	4,103,586:12:0	
780	97	238	18:35:15.066	488CQ6D	6TMSED	NORM,AL5	Sci, Eng, and D/L Chan	100	4	0	4,103,603:01:0	
781	97	238	19:11:31.066	488CQ6E	6TMSED	NORM,AL6	Sci, Eng, and D/L Chan	100	4	0	4,103,638:80:0	
782	97	239	01:48:19.066	488CR6A	6TMSED	NORM,AL5	Sci, Eng, and D/L Chan	100	4	0	4,104,031:29:0	
783	97	239	02:41:39.066	488CR6B	6TMSED	NORM,AL6	Sci, Eng, and D/L Chan	100	4	0	4,104,084:06:0	
784	97	239	03:05:19.733	488CR6C	6TMSED	FILL,AL6	Sci, Eng, and D/L Chan	100	4	0	4,104,107:44:0	
785	97	239	03:32:09.066	488CR6D	6TMSED	NORM,AL6	Sci, Eng, and D/L Chan	100	4	0	4,104,134:01:0	
786	97	239	06:32:29.733	488CR6E	6TMSED	FILL,AL6	Sci, Eng, and D/L Chan	100	4	0	4,104,312:34:0	
787	97	239	06:36:19.066	488CS6A	6TMSED	FILL,AL8	Sci, Eng, and D/L Chan	100	4	0	4,104,316:14:0	
788	97	239	06:37:59.066	488CS6B	6TMSED	NORM,AL8	Sci, Eng, and D/L Chan	100	4	0	4,104,317:73:0	
789	97	239	11:12:24.400	488CS6C	6TMSED	FILL,AL8	Sci, Eng, and D/L Chan	100	4	0	4,104,589:19:0	
790	97	239	11:35:49.066	488CS6D	6TMSED	NORM,AL8	Sci, Eng, and D/L Chan	100	4	0	4,104,612:33:0	
791	97	239	16:44:19.066	488CT6A	6TMSED	NORM,AL7	Sci, Eng, and D/L Chan	100	4	0	4,104,917:43:0	
792	97	239	17:48:19.066	488CT6B	6TMSED	NORM,AL6	Sci, Eng, and D/L Chan	100	4	0	4,104,980:70:0	
793	97	239	18:13:55.066	488CT6C	6TMSED	NORM,AL4	Sci, Eng, and D/L Chan	100	4	0	4,105,006:08:0	
794	97	239	18:30:59.066	488CT6D	6TMSED	NORM,AL5	Sci, Eng, and D/L Chan	100	4	0	4,105,022:88:0	
795	97	239	19:07:15.066	488CT6E	6TMSED	NORM,AL6	Sci, Eng, and D/L Chan	100	4	0	4,105,058:76:0	
796	97	240	01:29:07.000	488CU6A	6TMSED	NORM,AL5	Sci, Eng, and D/L Chan	100	4	0	4,105,436:46:0	
797	97	240	02:01:07.000	488CU6B	6TMSED	NORM,AL6	Sci, Eng, and D/L Chan	100	4	0	4,105,468:14:0	
798	97	240	04:47:31.000	488CU6C	6TMSED	NORM,AL7	Sci, Eng, and D/L Chan	100	4	0	4,105,632:66:0	
799	97	240	06:23:13.000	488CU6D	6TMSED	FILL,AL7	Sci, Eng, and D/L Chan	100	4	0	4,105,727:34:0	
800	97	240	06:25:39.000	488CU6E	6TMSED	FILL,AL8	Sci, Eng, and D/L Chan	100	4	0	4,105,729:71:0	
801	97	240	06:27:19.000	488CV6A	6TMSED	NORM,AL8	Sci, Eng, and D/L Chan	100	4	0	4,105,731:39:0	
802	97	240	16:37:55.000	488CW6A	6TMSED	NORM,AL7	Sci, Eng, and D/L Chan	100	4	0	4,106,335:29:0	
803	97	240	17:48:19.000	488CW6B	6TMSED	NORM,AL6	Sci, Eng, and D/L Chan	100	4	0	4,106,404:86:0	
804	97	240	18:09:39.000	488CW6C	6TMSED	NORM,AL4	Sci, Eng, and D/L Chan	100	4	0	4,106,426:04:0	
805	97	240	18:37:23.000	488CW6D	6TMSED	NORM,AL5	Sci, Eng, and D/L Chan	100	4	0	4,106,453:43:0	
806	97	240	19:33:59.666	488CW6E	6TMSED	FILL,AL5	Sci, Eng, and D/L Chan	100	4	0	4,106,509:42:0	
807	97	240	20:03:05.666	488CX6A	6TMSED	NORM,AL5	Sci, Eng, and D/L Chan	100	4	0	4,106,538:22:0	
808	97	240	20:11:15.000	488CX6B	6TMSED	NORM,AL6	Sci, Eng, and D/L Chan	100	4	0	4,106,546:28:0	
809	97	241	00:33:39.000	488CX6C	6TMSED	NORM,AL5	Sci, Eng, and D/L Chan	100	4	0	4,106,805:75:0	
810	97	241	02:07:31.000	488CY6A	6TMSED	NORM,AL6	Sci, Eng, and D/L Chan	100	4	0	4,106,898:60:0	
811	97	241	02:55:23.666	488CY6B	6TMSED	FILL,AL6	Sci, Eng, and D/L Chan	100	4	0	4,106,946:01:0	
812	97	241	03:22:13.000	488CY6C	6TMSED	NORM,AL6	Sci, Eng, and D/L Chan	100	4	0	4,106,972:49:0	
813	97	241	04:41:06.933	488CY6D	6TMSED	NORM,AL7	Sci, Eng, and D/L Chan	100	4	0	4,107,050:52:0	
814	97	241	06:23:12.933	488CY6E	6TMSED	FILL,AL7	Sci, Eng, and D/L Chan	100	4	0	4,107,151:50:0	
815	97	241	06:25:38.933	488CZ6A	6TMSED	FILL,AL8	Sci, Eng, and D/L Chan	100	4	0	4,107,153:87:0	
816	97	241	06:27:18.933	488CZ6B	6TMSED	NORM,AL8	Sci, Eng, and D/L Chan	100	4	0	4,107,155:55:0	
817	97	241	16:33:38.933	488DA6A	6TMSED	NORM,AL7	Sci, Eng, and D/L Chan	100	4	0	4,107,755:25:0	
818	97	241	17:44:02.933	488DA6B	6TMSED	NORM,AL6	Sci, Eng, and D/L Chan	100	4	0	4,107,824:82:0	
819	97	241	18:09:38.933	488DA6C	6TMSED	NORM,AL4	Sci, Eng, and D/L Chan	100	4	0	4,107,850:20:0	
820	97	241	18:26:42.933	488DA6D	6TMSED	NORM,AL5	Sci, Eng, and D/L Chan	100	4	0	4,107,867:09:0	
821	97	241	18:56:34.933	488DA6E	6TMSED	NORM,AL6	Sci, Eng, and D/L Chan	100	4	0	4,107,896:58:0	
822	97	242	01:18:26.933	488DB6A	6TMSED	NORM,AL5	Sci, Eng, and D/L Chan	100	4	0	4,108,274:28:0	
823	97	242	01:50:26.933	488DB6B	6TMSED	NORM,AL6	Sci, Eng, and D/L Chan	100	4	0	4,108,305:87:0	

Line	YR	DOY	SCET - GMT	PSID	Command	Parameters	Description	GCM	GO	GS	RIM	MFI
824	97	242	04:41:06.933	488DB6C	6TMSED	NORM,AL7	Sci, Eng, and D/L Chan	100	4	0	4,108,474:68:0	
825	97	242	06:18:56.933	488DB6D	6TMSED	FILL,AL7	Sci, Eng, and D/L Chan	100	4	0	4,108,571:46:0	
826	97	242	06:21:22.933	488DB6E	6TMSED	FILL,AL8	Sci, Eng, and D/L Chan	100	4	0	4,108,573:83:0	
827	97	242	06:23:02.933	488DC6A	6TMSED	NORM,AL8	Sci, Eng, and D/L Chan	100	4	0	4,108,575:51:0	
828	97	242	16:29:22.866	488DD6A	6TMSED	NORM,AL7	Sci, Eng, and D/L Chan	100	4	0	4,109,175:21:0	
829	97	242	17:37:38.866	488DD6B	6TMSED	NORM,AL6	Sci, Eng, and D/L Chan	100	4	0	4,109,242:68:0	
830	97	242	18:03:14.866	488DD6C	6TMSED	NORM,AL4	Sci, Eng, and D/L Chan	100	4	0	4,109,268:06:0	
831	97	242	18:20:18.866	488DD6D	6TMSED	NORM,AL5	Sci, Eng, and D/L Chan	100	4	0	4,109,284:86:0	
832	97	242	18:56:34.866	488DD6E	6TMSED	NORM,AL6	Sci, Eng, and D/L Chan	100	4	0	4,109,320:74:0	
833	97	243	01:29:06.866	488DE6A	6TMSED	NORM,AL5	Sci, Eng, and D/L Chan	100	4	0	4,109,709:03:0	
834	97	243	02:26:42.866	488DE6B	6TMSED	NORM,AL6	Sci, Eng, and D/L Chan	100	4	0	4,109,766:00:0	
835	97	243	02:40:27.533	488DE6C	6TMSED	FILL,AL6	Sci, Eng, and D/L Chan	100	4	0	4,109,779:54:0	
836	97	243	03:07:17.533	488DE6D	6TMSED	NORM,AL6	Sci, Eng, and D/L Chan	100	4	0	4,109,806:12:0	
837	97	243	06:13:17.533	488DE6E	6TMSED	FILL,AL6	Sci, Eng, and D/L Chan	100	4	0	4,109,990:08:0	
838	97	243	06:17:06.866	488DF6A	6TMSED	FILL,AL8	Sci, Eng, and D/L Chan	100	4	0	4,109,993:79:0	
839	97	243	06:18:46.866	488DF6B	6TMSED	NORM,AL8	Sci, Eng, and D/L Chan	100	4	0	4,109,995:47:0	
840	97	243	10:57:32.200	488DF6C	6TMSED	FILL,AL8	Sci, Eng, and D/L Chan	100	4	0	4,110,271:19:0	
841	97	243	11:20:56.866	488DF6D	6TMSED	NORM,AL8	Sci, Eng, and D/L Chan	100	4	0	4,110,294:33:0	
842	97	243	16:22:58.866	488DG6A	6TMSED	NORM,AL7	Sci, Eng, and D/L Chan	100	4	0	4,110,593:07:0	
843	97	243	17:33:22.800	488DG6B	6TMSED	NORM,AL6	Sci, Eng, and D/L Chan	100	4	0	4,110,662:64:0	
844	97	243	17:58:58.800	488DG6C	6TMSED	NORM,AL4	Sci, Eng, and D/L Chan	100	4	0	4,110,688:02:0	
845	97	243	18:16:02.800	488DG6D	6TMSED	NORM,AL5	Sci, Eng, and D/L Chan	100	4	0	4,110,704:82:0	
846	97	243	18:52:18.800	488DG6E	6TMSED	NORM,AL6	Sci, Eng, and D/L Chan	100	4	0	4,110,740:70:0	
847	97	244	01:14:10.800	488DH6A	6TMSED	NORM,AL5	Sci, Eng, and D/L Chan	100	4	0	4,111,118:40:0	
848	97	244	01:46:10.800	488DH6B	6TMSED	NORM,AL6	Sci, Eng, and D/L Chan	100	4	0	4,111,150:08:0	
849	97	244	04:36:50.800	488DH6C	6TMSED	NORM,AL7	Sci, Eng, and D/L Chan	100	4	0	4,111,318:80:0	
850	97	244	06:08:16.800	488DH6D	6TMSED	FILL,AL7	Sci, Eng, and D/L Chan	100	4	0	4,111,409:28:0	
851	97	244	06:10:42.800	488DH6E	6TMSED	FILL,AL8	Sci, Eng, and D/L Chan	100	4	0	4,111,411:65:0	
852	97	244	06:12:22.800	488DI6A	6TMSED	NORM,AL8	Sci, Eng, and D/L Chan	100	4	0	4,111,413:33:0	
853	97	244	16:18:42.800	488DJ6A	6TMSED	NORM,AL7	Sci, Eng, and D/L Chan	100	4	0	4,112,013:03:0	
854	97	244	17:29:06.800	488DJ6B	6TMSED	NORM,AL6	Sci, Eng, and D/L Chan	100	4	0	4,112,082:60:0	
855	97	244	17:52:34.800	488DJ6C	6TMSED	NORM,AL4	Sci, Eng, and D/L Chan	100	4	0	4,112,105:79:0	
856	97	244	18:20:18.800	488DJ6D	6TMSED	NORM,AL5	Sci, Eng, and D/L Chan	100	4	0	4,112,133:27:0	
857	97	244	19:19:08.800	488DJ6E	6TMSED	FILL,AL5	Sci, Eng, and D/L Chan	100	4	0	4,112,191:44:0	
858	97	244	19:48:14.800	488DK6A	6TMSED	NORM,AL5	Sci, Eng, and D/L Chan	100	4	0	4,112,220:24:0	
859	97	244	20:00:34.800	488DK6B	6TMSED	NORM,AL6	Sci, Eng, and D/L Chan	100	4	0	4,112,232:42:0	
860	97	245	00:08:02.733	488DK6C	6TMSED	NORM,AL5	Sci, Eng, and D/L Chan	100	4	0	4,112,477:19:0	
861	97	245	02:20:18.733	488DL6A	6TMSED	NORM,AL6	Sci, Eng, and D/L Chan	100	4	0	4,112,608:02:0	
862	97	245	02:25:31.400	488DL6B	6TMSED	FILL,AL6	Sci, Eng, and D/L Chan	100	4	0	4,112,613:16:0	
863	97	245	02:57:21.400	488DL6C	6TMSED	NORM,AL6	Sci, Eng, and D/L Chan	100	4	0	4,112,644:60:0	
864	97	245	06:02:37.400	488DL6D	6TMSED	FILL,AL6	Sci, Eng, and D/L Chan	100	4	0	4,112,827:81:0	
865	97	245	06:06:26.733	488DL6E	6TMSED	FILL,AL8	Sci, Eng, and D/L Chan	100	4	0	4,112,831:61:0	
866	97	245	06:08:06.733	488DM6A	6TMSED	NORM,AL8	Sci, Eng, and D/L Chan	100	4	0	4,112,833:29:0	
867	97	245	10:47:37.400	488DM6B	6TMSED	FILL,AL8	Sci, Eng, and D/L Chan	100	4	0	4,113,109:69:0	
868	97	245	11:11:02.066	488DM6C	6TMSED	NORM,AL8	Sci, Eng, and D/L Chan	100	4	0	4,113,132:83:0	
869	97	245	16:14:26.733	488DN6A	6TMSED	NORM,AL7	Sci, Eng, and D/L Chan	100	4	0	4,113,432:90:0	
870	97	245	17:22:42.733	488DN6B	6TMSED	NORM,AL6	Sci, Eng, and D/L Chan	100	4	0	4,113,500:46:0	
871	97	245	17:48:18.733	488DN6C	6TMSED	NORM,AL4	Sci, Eng, and D/L Chan	100	4	0	4,113,525:75:0	
872	97	245	18:05:22.733	488DN6D	6TMSED	NORM,AL5	Sci, Eng, and D/L Chan	100	4	0	4,113,542:64:0	
873	97	245	18:41:38.733	488DN6E	6TMSED	NORM,AL6	Sci, Eng, and D/L Chan	100	4	0	4,113,578:52:0	
874	97	246	01:03:30.733	488DO6A	6TMSED	NORM,AL5	Sci, Eng, and D/L Chan	100	4	0	4,113,956:22:0	
875	97	246	01:35:30.733	488DO6B	6TMSED	NORM,AL6	Sci, Eng, and D/L Chan	100	4	0	4,113,987:81:0	
876	97	246	04:45:22.733	488DO6C	6TMSED	NORM,AL7	Sci, Eng, and D/L Chan	100	4	0	4,114,175:61:0	
877	97	246	05:59:44.066	488DO6D	6TMSED	FILL,AL7	Sci, Eng, and D/L Chan	100	4	0	4,114,249:19:0	
878	97	246	06:02:10.733	488DO6E	6TMSED	FILL,AL8	Sci, Eng, and D/L Chan	100	4	0	4,114,251:57:0	

Line	YR	DOY	SCET - GMT	PSID	Command	Parameters	Description	GCM	GO	GS	RIM	MFI
879	97	246	06:03:50.733	488DP6A	6TMSED	NORM,AL8	Sci, Eng, and D/L Chan	100	4	0	4,114,253:25:0	
880	97	246	16:08:02.666	488DQ6A	6TMSED	NORM,AL7	Sci, Eng, and D/L Chan	100	4	0	4,114,850:76:0	
881	97	246	16:42:35.333	176KF6A	6TMREC	PPB	PAUSE PLAYBACK (PB CONTROL) Record Mode C	100	4	0	4,114,885:00:0	
882	97	246	16:44:36.666		DMS:	: *TURNARND	P7, TRACK 1, FWD, TIC 202.12 +/-	100	4	0	4,114,887:00:0	
883	97	246	16:44:36.666	465KZ6A	6DMST		2245 DMS Slew to TIC	100	4	0	4,114,887:00:0	
884	97	246	16:44:36.666		DMS:	: *SLEW-TIC	P7, TRACK 1, FWD, TIC 202.12 +/-	100	4	0	4,114,887:00:0	
885	97	246	16:44:36.666		DMS:	: *E4-DELAY	RDY, TRACK 1, FWD, TIC 202.12 +/-	100	4	0	4,114,887:00:0	
886	97	246	16:44:43.333		DMS:	: *RUNUP	P7, TRACK 1, FWD, TIC 202.12 +/-	100	4	0	4,114,887:10:0	
887	97	246	16:44:44.733		DMS:	: *AT SPD	P7, TRACK 1, FWD, TIC 202.12 +/-	100	4	0	4,114,887:12:1	
888	97	246	17:18:26.666	488DQ6B	6TMSED	NORM,AL6	Sci, Eng, and D/L Chan	100	4	0	4,114,920:42:0	
889	97	246	17:44:02.666	488DQ6C	6TMSED	NORM,AL4	Sci, Eng, and D/L Chan	100	4	0	4,114,945:71:0	
890	97	246	18:01:06.666	488DQ6D	6TMSED	NORM,AL5	Sci, Eng, and D/L Chan	100	4	0	4,114,962:60:0	
891	97	246	18:41:38.666	488DQ6E	6TMSED	NORM,AL6	Sci, Eng, and D/L Chan	100	4	0	4,115,002:68:0	
892	97	246	19:09:50.800		DMS:	: *RUNDOWN	P7, TRACK 1, FWD, TIC *2242.94 +/-	100	4	0	4,115,030:58:2	
893	97	246	19:09:52.000		DMS:	: *READY	RDY, TRACK 1, FWD, TIC *2243.00 +/-	100	4	0	4,115,071:17:0	
894	97	246	19:50:50.666	488DR6A	6TMSED	FILL,AL6	Sci, Eng, and D/L Chan	100	4	0	4,115,072:33:0	
895	97	246	19:52:02.000	490UB412A4B	7MODE	INT	AACS INERTIAL MODE	100	4	0	4,115,077:25:0	
896	97	246	19:57:00.000	490UB412A4D	7SAFE	UNSTOW	SIP TO 153 deg cone	100	4	0	4,115,081:36:0	
897	97	246	20:01:10.000	490UB412A4E	7VECT	MVR	Inert vect update UTC	100	4	0	4,115,081:42:0	
898	97	246	20:01:14.000	490UB412A4F	7TURN	2,MVR	ALERT Thruster	100	4	0	4,115,085:20:0	
899	97	246	20:05:02.000	490UB412A406A4A	7STAR	7,3000,95.710999	Star catalog update	100	4	0	4,115,085:23:0	
900	97	246	20:05:04.000	490UB412A406A4B	7STAR	8,150,319.35	Star catalog update	100	4	0	4,115,085:26:0	
901	97	246	20:05:06.000	490UB412A406A4C	7STAR	9,195,177.80	Star catalog update	100	4	0	4,115,085:29:0	
902	97	246	20:05:08.000	490UB412A406A4D	7STAR	10,0,0,0,0,0,0	Star catalog update	100	4	0	4,115,085:32:0	
903	97	246	20:05:10.000	490UB412A406A4E	7STAR	11,0,0,0,0,0,0	Star catalog update	100	4	0	4,115,085:35:0	
904	97	246	20:05:12.000	490UB412A406A4F	7STAR	12,0,0,0,0,0,0	Star catalog update	100	4	0	4,115,178:13:0	
905	97	246	21:38:59.333	432OD431A6A	6RCDSL	DDSNCG,PLSNCG,EP	Record Deselect (DDS o	100	4	0	4,115,178:14:0	
906	97	246	21:39:00.000	432OD6A	6RTSL1		RT Select of DDS and	100	4	0	4,115,181:84:0	
907	97	246	21:39:55.399	C9NNCHOPON04-		-----START-----		100	4	0	4,115,181:84:0	
908	97	246	21:42:48.666	125FX4A	37IST	1,0,0,OFF,0,0,0	Chopper ON, Sync, 63Hz (Ref)	160	4	0	4,115,181:84:0	
909	97	246	21:42:48.666	125FXB	NIMSNIT	GS	##### GROUP START INIT	160	4	0	4,115,181:84:0	
910	97	246	21:43:49.333	125FX4B	37IST	1,2,0,OFF,0,0,0	Chopper ON, Sync, Chopper (Ref)	1R0	4	0	4,115,182:84:0	
911	97	246	21:44:50.000	125FX11A	NIMSNIT	GE	##### GROUP END INIT	1R0	4	0	4,115,183:84:0	
912	97	246	21:44:50.000	125FX4C	37MB	0,0,0,0,0,0,0	Selects mirror (spatial) edit table	1R0	4	0	4,115,183:84:0	
913	97	246	21:49:58.000	465LA6A	6DMSC	RDY,3	DMS Control Tape stop	1R0	4	0	4,115,189:00:0	
914	97	246	21:49:58.000		DMS:	: READY	RDY, TRACK *3, FWD, TIC 2243.00 +/-	1R0	4	0	4,115,189:00:0	
915	97	246	21:50:00.000	41SL99A	POWER	PWR MODE change	Change to Data Taking Mode	1R0	4	0	4,115,189:03:0	
916	97	246	21:50:02.066	C9NNCHOPON04-		-----STOP-----		1R0	4	0	4,115,189:03:0	
917	97	246	21:50:04.000	41SL3A	40T1PR		1 PCT Heater 1 OFF (primary relay)	1R0	4	0	4,115,189:09:0	
918	97	246	21:50:14.000	41SL3B	40T1PR		2 PCT Heater 1 OFF (primary relay)	1R0	4	0	4,115,189:24:0	
919	97	246	21:50:24.000	41SL3C	40T2R		1 PCT Heater 2 OFF	1R0	4	0	4,115,189:39:0	
920	97	246	21:50:34.000	41SL3D	40T2R		2 PCT Heater 2 OFF	1R0	4	0	4,115,189:54:0	
921	97	246	22:01:09.399	C9JNGRS15601-		-----START-----		1R0	4	0	4,115,202:84:0	
922	97	246	22:02:05.333	165LJ4A	7SCAN	NORM,163.743999,	Check S/P Position	1R0	4	0	4,115,200:90:0	
923	97	246	22:04:02.666	125LJ11A	NIMSNIT	GE	##### GROUP END INIT	1R0	4	0	4,115,202:84:0	
924	97	246	22:04:02.666	125LJ	NIMSNIT	GS	##### GROUP START INIT	1R0	4	0	4,115,202:84:0	
925	97	246	22:04:02.666	125LJ4A	37IST	0,2,0,OFF,0,1,0	Gain State 2	2R0	4	0	4,115,202:84:0	
926	97	246	22:05:03.333	127LJ4A	37IOP	5,1	Short Map, Grating Start Position =01	2R5	4	1	4,115,203:84:0	
927	97	246	22:05:03.333	127LJ	NIMSTAB	GS	%%%%% GROUP START TAB	2R5	4	1	4,115,203:84:0	
928	97	246	22:05:04.000	127LJ4B	37ETB		Loads wavelength edit table	2R5	4	1	4,115,203:85:0	
929	97	246	22:05:12.000	127LJ11A	NIMSTAB	GE	%%%%% GROUP END TAB	2R5	4	1	4,115,204:06:0	
930	97	246	22:05:57.333		DMS:	: *E4-DELAY	RDY, TRACK *1, FWD, TIC 2243.00 +/-	2R5	4	1	4,115,204:74:0	
931	97	246	22:05:57.333	175LJ422A6A	6DMSC	R7,3	DMS Control	2R5	4	1	4,115,204:74:0	
932	97	246	22:05:59.333	117LJ	C5MOS	GS	***** GROUP START C5MOS	2R5	4	1	4,115,204:77:0	
933	97	246	22:06:04.000		DMS:	: *RUNUP	R7, TRACK *3, FWD, TIC 2243.00 +/-	2R5	4	1	4,115,204:84:0	

Line	YR	DOY	SCET - GMT	PSID	Command	Parameters	Description	GCM	GO	GS	RIM	MFI
934	97	246	22:06:05.333	175LJ176A6A	6TMREC	LPU	7.68 KBPS NIMS-UVS-PPR RECORD	2R5	4	1	4,115,204:86:0	
935	97	246	22:06:05.400		DMS:	:*RECORD	R7, TRACK 3, FWD, TIC *2243.12 +/-	2R5	4	1	4,115,204:86:1	
936	97	246	22:06:05.400		DMS:	:*AT_SPD	R7, TRACK 3, FWD, TIC 2243.12 +/-	2R5	4	1	4,115,204:86:1	
937	97	246	22:06:08.666	C9JNGRS15601-	NIMPBK	301KG	JUPITER GREAT RED SPOT 156 DEGRE	2R5	4	1	:	
938	97	246	22:06:08.666	117LJ105A106A4A	7STRP	-0.006,0.0,0.0,0.0	Slew =-0.11	2R5	4	1	4,115,205:00:0	
939	97	246	22:06:58.666	C9JNGRS15601-	DESELC	300KG	JUPITER GREAT RED SPOT 156 DEGRE	2R5	4	1	:	
940	97	246	22:07:00.666	175LJ6A	6TMREC	NRC	NO RECORD Record Mode Change	2R5	4	1	4,115,205:78:0	
941	97	246	22:07:00.666	175LJ422A6B	6DMSC	RDY,0	DMS Control Tape stop	2R5	4	1	4,115,205:78:0	
942	97	246	22:07:00.666		DMS:	:*RUNDOWN	R7, TRACK 3, FWD, TIC *2256.07 +/-	2R5	4	1	4,115,205:78:0	
943	97	246	22:07:01.866		DMS:	:*READY	RDY, TRACK 3, FWD, TIC *2256.13 +/-	2R5	4	1	4,115,205:79:8	
944	97	246	22:07:09.333	117LJ11A	CSMOS	GE	***** GROUP END CSMOS	2R5	4	1	4,115,206:00:0	
945	97	246	22:07:13.399	C9JNGRS15601-			*****STOP	2R5	4	1	:	
946	97	246	22:08:04.066	C9JNSOU15601-			*****START	2R5	4	1	:	
947	97	246	22:08:09.333	165LL4A	7SCAN	NORM,163.765999,	Check S/P Position	2R5	4	1	4,115,206:90:0	
948	97	246	22:12:01.333		DMS:	:*E4-DELAY	RDY, TRACK *1, FWD, TIC 2256.13 +/-	2R5	4	1	4,115,210:74:0	
949	97	246	22:12:01.333	175LL422A6A	6DMSC	R7,3	DMS Control	2R5	4	1	4,115,210:74:0	
950	97	246	22:12:03.333	117LL	CSMOS	GS	***** GROUP START CSMOS	2R5	4	1	4,115,210:77:0	
951	97	246	22:12:08.000		DMS:	:*RUNUP	R7, TRACK *3, FWD, TIC 2256.13 +/-	2R5	4	1	4,115,210:84:0	
952	97	246	22:12:09.333	175LL176A6A	6TMREC	LPU	7.68 KBPS NIMS-UVS-PPR RECORD	2R5	4	1	4,115,210:86:0	
953	97	246	22:12:09.400		DMS:	:*RECORD	R7, TRACK 3, FWD, TIC *2256.25 +/-	2R5	4	1	4,115,210:86:1	
954	97	246	22:12:09.400		DMS:	:*AT_SPD	R7, TRACK 3, FWD, TIC 2256.25 +/-	2R5	4	1	4,115,210:86:1	
955	97	246	22:12:12.666	117LL105A106A4A	7STRP	-0.006,0.0,0.0,0.0	Slew =-0.11	2R5	4	1	4,115,211:00:0	
956	97	246	22:12:12.666	C9JNSOU15601-	NIMPBK	301KH	JUPITER SOUTHERN HEMISPHERE 156	2R5	4	1	:	
957	97	246	22:13:02.666	C9JNSOU15601-	DESELC	300KH	JUPITER SOUTHERN HEMISPHERE 156	2R5	4	1	:	
958	97	246	22:13:04.666	175LL422A6B	6DMSC	RDY,0	DMS Control Tape stop	2R5	4	1	4,115,211:78:0	
959	97	246	22:13:04.666		DMS:	:*RUNDOWN	R7, TRACK 3, FWD, TIC *2269.21 +/-	2R5	4	1	4,115,211:78:0	
960	97	246	22:13:04.666	175LL6A	6TMREC	NRC	NO RECORD Record Mode Change	2R5	4	1	4,115,211:78:0	
961	97	246	22:13:05.866		DMS:	:*READY	RDY, TRACK 3, FWD, TIC *2269.27 +/-	2R5	4	1	4,115,211:79:8	
962	97	246	22:13:13.333	117LL11A	CSMOS	GE	***** GROUP END CSMOS	2R5	4	1	4,115,212:00:0	
963	97	246	22:13:17.399	C9JNSOU15601-			*****STOP	2R5	4	1	:	
964	97	246	22:14:08.066	C9JNNOR15601-			*****START	2R5	4	1	:	
965	97	246	22:14:13.333	165LM4A	7SCAN	NORM,164.026999,	Check S/P Position	2R5	4	1	4,115,212:90:0	
966	97	246	22:18:05.333		DMS:	:*E4-DELAY	RDY, TRACK *1, FWD, TIC 2269.27 +/-	2R5	4	1	4,115,216:74:0	
967	97	246	22:18:05.333	175LM422A6A	6DMSC	R7,3	DMS Control	2R5	4	1	4,115,216:74:0	
968	97	246	22:18:07.333	117LM	CSMOS	GS	***** GROUP START CSMOS	2R5	4	1	4,115,216:77:0	
969	97	246	22:18:12.000		DMS:	:*RUNUP	R7, TRACK *3, FWD, TIC 2269.27 +/-	2R5	4	1	4,115,216:84:0	
970	97	246	22:18:13.333	175LM176A6A	6TMREC	LPU	7.68 KBPS NIMS-UVS-PPR RECORD	2R5	4	1	4,115,216:86:0	
971	97	246	22:18:13.400		DMS:	:*AT_SPD	R7, TRACK 3, FWD, TIC 2269.39 +/-	2R5	4	1	4,115,216:86:1	
972	97	246	22:18:13.400		DMS:	:*RECORD	R7, TRACK 3, FWD, TIC *2269.39 +/-	2R5	4	1	4,115,216:86:1	
973	97	246	22:18:16.666	117LM105A106A4A	7STRP	-0.006,0.0,0.0,0.0	Slew =-0.11	2R5	4	1	4,115,217:00:0	
974	97	246	22:18:16.666	C9JNNOR15601-	NIMPBK	301KI	JUPITER NORTHERN HEMISPHERE 156	2R5	4	1	:	
975	97	246	22:19:06.666	C9JNNOR15601-	DESELC	300KI	JUPITER NORTHERN HEMISPHERE 156	2R5	4	1	:	
976	97	246	22:19:08.666	175LM422A6B	6DMSC	RDY,0	DMS Control Tape stop	2R5	4	1	4,115,217:78:0	
977	97	246	22:19:08.666	175LM6A	6TMREC	NRC	NO RECORD Record Mode Change	2R5	4	1	4,115,217:78:0	
978	97	246	22:19:08.666		DMS:	:*RUNDOWN	R7, TRACK 3, FWD, TIC *2282.34 +/-	2R5	4	1	4,115,217:78:0	
979	97	246	22:19:09.866		DMS:	:*READY	RDY, TRACK 3, FWD, TIC *2282.40 +/-	2R5	4	1	4,115,217:79:8	
980	97	246	22:19:17.333	117LM11A	CSMOS	GE	***** GROUP END CSMOS	2R5	4	1	4,115,218:00:0	
981	97	246	22:19:21.399	C9JNNOR15601-			*****STOP	2R5	4	1	:	
982	97	246	22:20:17.333	165KV4A	7SCAN	NORM,164.172998,	Check S/P Position	2R5	4	1	4,115,218:90:0	
983	97	246	22:24:13.333	175KN422A6A	6DMSC	R115:3	DMS Control	2R5	4	1	4,115,222:80:0	
984	97	246	22:24:13.333		DMS:	:*E4-DELAY	RDY, TRACK *1, FWD, TIC 2282.40 +/-	2R5	4	1	4,115,222:80:0	
985	97	246	22:24:14.666	118KV	SMOS	GS	***** GROUP END CSMOS	2R5	4	1	4,115,222:82:0	
986	97	246	22:24:20.000		DMS:	:*RUNUP	R115, TRACK *3, FWD, TIC 2282.40 +/-	2R5	4	1	4,115,222:90:0	
987	97	246	22:24:23.333	175KN176A6A	6TMREC	HMA	115.2 KBPS IMAGE(1-400)RECORD	2R5	4	1	4,115,223:04:0	
988	97	246	22:24:24.000		DMS:	:*RECORD	R115, TRACK 3, FWD, TIC *2288.70 +/-	2R5	4	1	4,115,223:05:0	

Line	YR	DOY	SCET - GMT	PSID	Command	Parameters	Description	GCM	GO	GS	RIM	MFI
989	97	246	22:24:24.000		DMS:	:*AT_SPD	R115, TRACK 3, FWD, TIC 2288.70 +/-	2R5	4	1	4,115,223:05:0	
990	97	246	22:24:24.666	118KV110A111A4A	7STRP	-0.004,-0.00325,	Slew =2.01	2R5	4	1	4,115,223:06:0	
991	97	246	22:24:55.333	118KV110A111A4B	7STRP	0.004,0.00325,0,	Slew =3.01	2R5	4	1	4,115,223:52:0	
992	97	246	22:25:26.000	118KV110A111A4C	7STRP	-0.004,-0.00325,	Slew =2.01	2R5	4	1	4,115,224:07:0	
993	97	246	22:25:56.666	118KV111A	SMOS	GE		2R5	4	1	4,115,224:53:0	
994	97	246	22:26:04.666	116KW4A	7STRP	-0.002,-0.00725,	Slew =3.01	2R5	4	1	4,115,224:65:0	
995	97	246	22:26:22.000	175KN422A6B	6DMSC	RDY,0	DMS Control Tape stop	2R5	4	1	4,115,225:00:0	
996	97	246	22:26:22.000		DMS:	:*RUNDOWN	R115, TRACK 3, FWD, TIC *2703.54 +/-	2R5	4	1	4,115,225:00:0	
997	97	246	22:26:23.200		DMS:	:*READY	RDY, TRACK 3, FWD, TIC *2704.54 +/-	2R5	4	1	4,115,225:01:8	
998	97	246	22:31:18.000	175KO422A6A	6DMSC	R115,3	DMS Control	2R5	4	1	4,115,229:80:0	
999	97	246	22:31:18.000		DMS:	:*E4-DELAY	RDY, TRACK *1, FWD, TIC 2704.54 +/-	2R5	4	1	4,115,229:80:0	
1000	97	246	22:31:24.666		DMS:	:*RUNUP	R115, TRACK *3, FWD, TIC 2704.54 +/-	2R5	4	1	4,115,229:90:0	
1001	97	246	22:31:28.000	175KO176A6A	6TMREC	HMA	115.2 KBPS IMAGE(1-400)RECORD Record Mode	2R5	4	1	4,115,230:04:0	
1002	97	246	22:31:28.666		DMS:	:*AT_SPD	R115, TRACK 3, FWD, TIC 2710.84 +/-	2R5	4	1	4,115,230:05:0	
1003	97	246	22:31:28.666		DMS:	:*RECORD	R115, TRACK 3, FWD, TIC *2710.84 +/-	2R5	4	1	4,115,230:05:0	
1004	97	246	22:33:09.333	116KX4A	7STRP	0.00225,-0.00325	Slew =3.01	2R5	4	1	4,115,231:65:0	
1005	97	246	22:33:26.666		DMS:	:*RUNDOWN	R115, TRACK 3, FWD, TIC *3125.69 +/-	2R5	4	1	4,115,232:00:0	
1006	97	246	22:33:26.666	175KO422A6B	6DMSC	RDY,0	DMS Control Tape stop	2R5	4	1	4,115,232:00:0	
1007	97	246	22:33:27.866		DMS:	:*READY	RDY, TRACK 3, FWD, TIC *3126.69 +/-	2R5	4	1	4,115,232:01:8	
1008	97	246	22:36:27.333	432SE6A	6RTDS2	NIMNCG,AAACNG,RT	RT ENG DESLECT	2R5	4	1	4,115,234:89:0	
1009	97	246	22:38:22.666		DMS:	:*E4-DELAY	RDY, TRACK *1, FWD, TIC 3126.69 +/-	2R5	4	1	4,115,236:80:0	
1010	97	246	22:38:22.666	175KP422A6A	6DMSC	R115,3	DMS Control	2R5	4	1	4,115,236:80:0	
1011	97	246	22:38:24.000	118KX	SMOS	GS		2R5	4	1	4,115,236:82:0	
1012	97	246	22:38:29.333		DMS:	:*RUNUP	R115, TRACK *3, FWD, TIC 3126.69 +/-	2R5	4	1	4,115,236:90:0	
1013	97	246	22:38:32.666	175KP176A6A	6TMREC	HMA	115.2 KBPS IMAGE(1-400)RECORD Record Mode	2R5	4	1	4,115,237:04:0	
1014	97	246	22:38:33.333		DMS:	:*RECORD	R115, TRACK 3, FWD, TIC *3132.99 +/-	2R5	4	1	4,115,237:05:0	
1015	97	246	22:38:33.333		DMS:	:*AT_SPD	R115, TRACK 3, FWD, TIC 3132.99 +/-	2R5	4	1	4,115,237:05:0	
1016	97	246	22:38:34.000	118KX110A111A4A	7STRP	0.004,-0.00325,9	Slew =2.01	2R5	4	1	4,115,237:06:0	
1017	97	246	22:39:04.666	118KX110A111A4B	7STRP	-0.004,0.00325,0	Slew =0.5,0	2R5	4	1	4,115,237:52:0	
1018	97	246	22:39:35.333	118KX110A111A4C	7STRP	0.004,-0.00325,9	Slew =2.01	2R5	4	1	4,115,238:07:0	
1019	97	246	22:40:06.000	118KX11A	SMOS	GE		2R5	4	1	4,115,238:53:0	
1020	97	246	22:40:30.666	165AA4A	7SCAN	NORM,163.988998,	Check S/P Position	2R5	4	1	4,115,238:90:0	
1021	97	246	22:40:31.333	175KP422A6B	6DMSC	RDY,0	DMS Control Tape stop	2R5	4	1	4,115,239:00:0	
1022	97	246	22:40:31.333		DMS:	:*RUNDOWN	R115, TRACK 3, FWD, TIC *3547.83 +/-	2R5	4	1	4,115,239:00:0	
1023	97	246	22:40:32.533		DMS:	:*READY	RDY, TRACK 3, FWD, TIC *3548.83 +/-	2R5	4	1	4,115,239:01:8	
1024	97	246	22:44:33.333	165AB4A	7SCAN	NORM,163.837,7.1	Check S/P Position	2R5	4	1	4,115,242:90:0	
1025	97	246	22:48:36.000	165AC4A	7SCAN	NORM,163.639999,	Check S/P Position	2R5	4	1	4,115,246:90:0	
1026	97	246	22:52:38.666	165AD4A	7SCAN	NORM,163.636999,	Check S/P Position	2R5	4	1	4,115,250:90:0	
1027	97	246	22:56:41.333	165AE4A	7SCAN	NORM,163.681,6.5	Check S/P Position	2R5	4	1	4,115,254:90:0	
1028	97	246	22:59:48.066	C9RNMIRING_01-		-----START-----		2R5	4	1	:	
1029	97	246	23:00:44.000	165DZ4A	7SCAN	NORM,164.747999,	Check S/P Position	2R5	4	1	4,115,258:90:0	
1030	97	246	23:02:41.333	125DZ11A	NIMSINIT	GE	##### GROUP END INIT	2R5	4	1	4,115,260:84:0	
1031	97	246	23:02:41.333	125DZ	NIMSINIT	GS	##### GROUP START INIT	2R5	4	1	4,115,260:84:0	
1032	97	246	23:02:41.333	125DZ4A	371ST	0,2,0,OFF,0,1,1	Gain State 4	4R5	4	1	4,115,260:84:0	
1033	97	246	23:03:42.000	127DZ	NIMSTAB	GS	%%%% GROUP START TAB	4R5	4	1	4,115,261:84:0	
1034	97	246	23:03:42.000	127DZ4A	371OP	1,0	Full Map, Grating Start Position =00	4R1	4	0	4,115,261:84:0	
1035	97	246	23:03:42.666	127DZ4B	371ETB		Loads wavelength edit table	4R1	4	0	4,115,261:85:0	
1036	97	246	23:03:50.666	127DZ11A	NIMSTAB	GE	%%%% GROUP END TAB	4R1	4	0	4,115,262:06:0	
1037	97	246	23:04:36.000	175DZ422A6A	6DMSC	R7,3	DMS Control	4R1	4	0	4,115,262:74:0	
1038	97	246	23:04:36.000		DMS:	:*E4-DELAY	RDY, TRACK *1, FWD, TIC 3548.83 +/-	4R1	4	0	4,115,262:74:0	
1039	97	246	23:04:42.666		DMS:	:*RUNUP	R7, TRACK *3, FWD, TIC 3548.83 +/-	4R1	4	0	4,115,262:84:0	
1040	97	246	23:04:44.000	175DZ176A6A	6TMREC	LPU	7.68 KBPS NIMS-UVS-PPR RECORD Record Mode	4R1	4	0	4,115,262:86:0	
1041	97	246	23:04:44.066		DMS:	:*RECORD	R7, TRACK 3, FWD, TIC *3548.95 +/-	4R1	4	0	4,115,262:86:1	
1042	97	246	23:04:44.066		DMS:	:*AT_SPD	R7, TRACK 3, FWD, TIC 3548.95 +/-	4R1	4	0	4,115,262:86:1	
1043	97	246	23:04:47.333	C9RNMIRING_01-	NIMPBK	301KJ	SIT AND STARE RING OBSERVATION	4R1	4	0	:	

Line	YR	DOY	SCET - GMT	PSID	Command	Parameters	Description	GCM	GO	GS	RIM	MFI
1044	97	246	23:08:47.333	C9RNMIRING_01-	DESEL	300KJ	SIT AND STARE RING OBSERVATION	4R1	4	0	:	:
1045	97	246	23:08:49.333	175DZ6A	6TMREC	NRC	NO RECORD Record Mode Change	4R1	4	0	:	4,115,266:90:0
1046	97	246	23:08:49.333	175DZ422A6B	6DMSC	RDY,0	DMS Control Tape stop	4R1	4	0	:	4,115,266:90:0
1047	97	246	23:08:49.333		DMS:	: *RUNDOWN	R7, TRACK 3, FWD, TIC *3606.43 +/-	4R1	4	0	:	4,115,266:90:0
1048	97	246	23:08:50.533		DMS:	: *READY	RDY, TRACK 3, FWD, TIC *3606.49 +/-	4R1	4	0	:	4,115,267:00:8
1049	97	246	23:08:54.066	C9RNMIRING_01-		-----STOP-----		4R1	4	0	:	:
1050	97	246	23:32:05.333	432SF6A	6RTSL2	NIMNCG, AACNCG, RT	R/T ENG SELECT	4R1	4	0	:	4,115,290:00:0
1051	97	246	23:35:11.399	C9JNFEA15601-		-----START-----		4R1	4	0	:	:
1052	97	246	23:36:07.333	165LO4A	7SCAN	NORM, 163.862999,	Check S/P Position	4R1	4	0	:	4,115,293:90:0
1053	97	246	23:38:04.666	125LO11A	NIMSNIT	GS	##### GROUP END INIT	4R1	4	0	:	4,115,295:84:0
1054	97	246	23:38:04.666	125LO	NIMSNIT	GS	##### GROUP START INIT	4R1	4	0	:	4,115,295:84:0
1055	97	246	23:38:04.666	125LO4A	37IST	0,2,0,OFF,0,1,0	Gain State 2	2R1	4	0	:	4,115,295:84:0
1056	97	246	23:39:05.333	127LO4A	37IOP	5,1	Short Map, Grating Start Position =01	2R5	4	1	:	4,115,296:84:0
1057	97	246	23:39:05.333	127LO	NIMSTAB	GS	%%%%% GROUP START TAB	2R5	4	1	:	4,115,296:84:0
1058	97	246	23:39:06.000	127LO4B	37ETB		Loads wavelength edit table	2R5	4	1	:	4,115,296:85:0
1059	97	246	23:39:14.000	127LO11A	NIMSTAB	GE	%%%%% GROUP END TAB	2R5	4	1	:	4,115,297:06:0
1060	97	246	23:39:59.333	175LO422A6A	6DMSC	R7,3	DMS Control	2R5	4	1	:	4,115,297:74:0
1061	97	246	23:39:59.333		DMS:	: *E4-DELAY	RDY, TRACK *1, FWD, TIC 3606.49 +/-	2R5	4	1	:	4,115,297:74:0
1062	97	246	23:40:01.333	117LO	CSMOS	GS	**** GROUP START CSMOS	2R5	4	1	:	4,115,297:77:0
1063	97	246	23:40:06.000		DMS:	: *RUNUP	R7, TRACK *3, FWD, TIC 3606.49 +/-	2R5	4	1	:	4,115,297:84:0
1064	97	246	23:40:07.333	175LO176A6A	6TMREC	LPD	7.68 KBPS NIMS-UVS-PPR RECORD Record Mode	2R5	4	1	:	4,115,297:86:0
1065	97	246	23:40:07.400		DMS:	: *RECORD	R7, TRACK 3, FWD, TIC *3606.61 +/-	2R5	4	1	:	4,115,297:86:1
1066	97	246	23:40:07.400		DMS:	: *AT SPD	R7, TRACK 3, FWD, TIC 3606.61 +/-	2R5	4	1	:	4,115,297:86:1
1067	97	246	23:40:10.666	C9JNFEA15601-	NIMPBK	301KK	JUPITER FEATURE 156 DEGREES PHAS	2R5	4	1	:	:
1068	97	246	23:40:10.666	117LO105A106A4A	7STRP	-0.006,0.0,0.0,0.0	Slew =0.11	2R5	4	1	:	:
1069	97	246	23:41:00.666	C9JNFEA15601-	DESEL	300KK	JUPITER FEATURE 156 DEGREES PHAS	2R5	4	1	:	:
1070	97	246	23:41:02.666		DMS:	: *RUNDOWN	R7, TRACK 3, FWD, TIC *3619.57 +/-	2R5	4	1	:	4,115,298:78:0
1071	97	246	23:41:02.666	175LO422A6B	6DMSC	RDY,0	DMS Control Tape stop	2R5	4	1	:	4,115,298:78:0
1072	97	246	23:41:02.666	175LO6A	6TMREC	NRC	NO RECORD Record Mode Change	2R5	4	1	:	4,115,298:78:0
1073	97	246	23:41:03.866		DMS:	: *READY	RDY, TRACK 3, FWD, TIC *3619.63 +/-	2R5	4	1	:	4,115,298:79:8
1074	97	246	23:41:11.333	117LO11A	CSMOS	GE	**** GROUP END CSMOS	2R5	4	1	:	4,115,299:00:0
1075	97	246	23:41:15.399	C9JNFEA15601-		-----STOP-----		2R5	4	1	:	:
1076	97	246	23:41:56.066	C9NCHOPFOF04-		-----START-----		2R5	4	1	:	:
1077	97	246	23:42:07.333	127FY4A	37IOP	0,0	Safe, Grating Start Position =00	2R0	4	0	:	4,115,299:84:0
1078	97	246	23:42:07.333	127FY	NIMSTAB	GS	%%%%% GROUP START TAB	2R0	4	0	:	4,115,299:84:0
1079	97	246	23:42:08.000	127FY4B	37ETB	04,C4,02,00,00	Loads wavelength edit table	2R0	4	0	:	4,115,299:85:0
1080	97	246	23:42:16.000	127FY11A	NIMSTAB	GE	%%%%% GROUP END TAB	2R0	4	0	:	4,115,300:06:0
1081	97	246	23:45:00.000	41SW99A	POWER	PWR MODE change	Change to Maneuver/Playback Mode	2R0	4	0	:	4,115,302:70:0
1082	97	246	23:45:09.333	125FY4A	37MB	0,0,0,0,0,0	Selects mirror (spatial) edit table	2R0	4	0	:	4,115,302:84:0
1083	97	246	23:45:09.333	125FY	NIMSNIT	GS	##### GROUP START INIT	2R0	4	0	:	4,115,302:84:0
1084	97	246	23:46:10.000	125FY4B	37IST	1,0,0,OFF,0,0,0	Chopper ON, Sync, 63Hz (Ref)	260	4	0	:	4,115,303:84:0
1085	97	246	23:46:54.000	41SW3G	40T1P		1 PCT Heater 1 ON (primary relay)	260	4	0	:	4,115,304:59:0
1086	97	246	23:47:04.000	41SW3H	40T1P		2 PCT Heater 1 ON (primary relay)	260	4	0	:	4,115,304:74:0
1087	97	246	23:47:10.666	125FY4C	37IST	1,1,0,OFF,0,0,0	Chopper OFF, N/A, 63Hz (Ref)	200	4	0	:	4,115,304:84:0
1088	97	246	23:47:10.666	125FY11A	NIMSNIT	GE	##### GROUP END INIT	200	4	0	:	4,115,304:84:0
1089	97	246	23:47:14.000	41SW3I	40T2		1 PCT Heater 2 ON	200	4	0	:	4,115,304:89:0
1090	97	246	23:47:24.000	41SW3J	40T2		2 PCT Heater 2 ON	200	4	0	:	4,115,305:13:0
1091	97	246	23:52:22.733	C9NCHOPFOF04-		-----STOP-----		200	4	0	:	:
1092	97	246	23:55:02.000	490UC412A4B	7MODE	INT	AACS INERTIAL MODE	200	4	0	:	4,115,312:63:0
1093	97	247	00:00:00.000	490UC412A4D	7SAFE	UNSTOW	SIP TO 153 deg cone	200	4	0	:	4,115,317:55:0
1094	97	247	00:04:10.000	490UC412A4E	7VECT	RTH	Inert vect update UTC	200	4	0	:	4,115,321:66:0
1095	97	247	00:04:14.000	490UC412A4F	7TURN	2,RTH	ALERT Thruster	200	4	0	:	4,115,321:72:0
1096	97	247	00:08:02.000	490UC412A406A4A	7STAR	1,3000.95,710999	Star catalog update	200	4	0	:	4,115,325:50:0
1097	97	247	00:08:04.000	490UC412A406A4B	7STAR	2,111,257.16	Star catalog update	200	4	0	:	4,115,325:53:0
1098	97	247	00:08:06.000	490UC412A406A4C	7STAR	3,138,199.44	Star catalog update	200	4	0	:	4,115,325:56:0

Line	YR	DOY	SCET - GMT	PSID	Command	Parameters	Description	GCM	GO	GS	RIM	MFI
1099	97	247	00:08:08.000	490UC412A406A4D	7STAR	4,0,0,0,0,0	Star catalog update	200	4	0	4,115,325:59:0	
1100	97	247	00:08:10.000	490UC412A406A4E	7STAR	5,0,0,0,0,0	Star catalog update	200	4	0	4,115,325:62:0	
1101	97	247	00:08:12.000	490UC412A406A4F	7STAR	6,0,0,0,0,0	Star catalog update	200	4	0	4,115,325:65:0	
1102	97	247	00:40:40.000	488DR6B	6TMSED	NORM,AL6	Sci, Eng, and D/L Chan	200	4	0	4,115,357:75:0	
1103	97	247	01:14:10.666	488DR6C	6TMSED	NORM,AL5	Sci, Eng, and D/L Chan	200	4	0	4,115,390:88:0	
1104	97	247	01:29:12.666	490UC412A4J	7MODE	CRU	AACS CRUISE MODE	200	4	0	4,115,405:76:0	
1105	97	247	01:41:59.333	432OH431A6A	6RCDSL	DDSNCG,PLSNCG,EP	Record Deselect (DDS o	200	4	0	4,115,418:43:0	
1106	97	247	01:42:00.000	432OH6A	6RTSL1		R/T Select of DDS and	200	4	0	4,115,418:44:0	
1107	97	247	01:46:10.666	488DR6D	6TMSED	NORM,AL6	Sci, Eng, and D/L Chan	200	4	0	4,115,422:56:0	
1108	97	247	01:55:04.000	20UN4A	7SAFE	STOP	SIP NO MOVEMENT	200	4	0	4,115,431:37:0	
1109	97	247	01:55:54.000	20UN4B	7SLEW	DIS,POS,0,0	Stator movement	200	4	0	4,115,432:21:0	
1110	97	247	01:57:41.333	176SV6A	6TMREC	RPB	RESUME PLAYBACK (PB CONTROL)	200	4	0	4,115,434:00:0	
1111	97	247	04:51:46.666	488DS6A	6TMSED	NORM,AL7	Sci, Eng, and D/L Chan	200	4	0	4,115,606:16:0	
1112	97	247	05:59:44.666	488DS6B	6TMSED	FILL,AL7	Sci, Eng, and D/L Chan	200	4	0	4,115,673:36:0	
1113	97	247	06:02:10.666	488DS6C	6TMSED	FILL,AL8	Sci, Eng, and D/L Chan	200	4	0	4,115,675:73:0	
1114	97	247	06:03:50.666	488DS6D	6TMSED	NORM,AL8	Sci, Eng, and D/L Chan	200	4	0	4,115,677:41:0	
1115	97	247	16:03:46.600	488DT6A	6TMSED	NORM,AL7	Sci, Eng, and D/L Chan	200	4	0	4,116,270:72:0	
1116	97	247	17:14:10.600	488DT6B	6TMSED	NORM,AL6	Sci, Eng, and D/L Chan	200	4	0	4,116,340:38:0	
1117	97	247	17:37:38.600	488DT6C	6TMSED	NORM,AL5	Sci, Eng, and D/L Chan	200	4	0	4,116,363:57:0	
1118	97	247	17:42:42.600	488DT6D	6TMSED	FILL,AL5	Sci, Eng, and D/L Chan	200	4	0	4,116,368:58:0	
1119	97	247	17:44:02.600	488DT6E	6TMSED	FILL,AL4	Sci, Eng, and D/L Chan	200	4	0	4,116,369:87:0	
1120	97	247	17:52:34.600	488DU6A	6TMSED	FILL,AL5	Sci, Eng, and D/L Chan	200	4	0	4,116,378:36:0	
1121	97	247	17:58:44.600	488DU6B	6TMSED	NORM,AL5	Sci, Eng, and D/L Chan	200	4	0	4,116,384:45:0	
1122	97	247	18:35:14.600	488DU6C	6TMSED	NORM,AL6	Sci, Eng, and D/L Chan	200	4	0	4,116,420:54:0	
1123	97	247	23:57:11.266	176BS6A	6TMREC	PPB	PAUSE PLAYBACK (PB CONTROL)	200	4	0	4,116,739:00:0	
1124	97	248	00:00:12.600	165BU4A	7SCAN	NORM,312.362,-20	Check S/P Position	200	4	0	4,116,741:90:0	
1125	97	248	00:04:17.266	20UE4A	7SAFE	STOP	SIP NO MOVEMENT	200	4	0	4,116,746:02:0	
1126	97	248	00:05:07.266	20UE4B	7SLEW	DIS,POS,0,0	Stator movement	200	4	0	4,116,746:77:0	
1127	97	248	00:06:17.266	176BT6A	6TMREC	RPB	RESUME PLAYBACK (PB CONTROL)	200	4	0	4,116,748:00:0	
1128	97	248	01:07:46.600	488DV6A	6TMSED	NORM,AL5	Sci, Eng, and D/L Chan	200	4	0	4,116,808:74:0	
1129	97	248	02:11:46.600	488DV6B	6TMSED	NORM,AL6	Sci, Eng, and D/L Chan	200	4	0	4,116,872:10:0	
1130	97	248	02:20:39.933	488DV6C	6TMSED	FILL,AL6	Sci, Eng, and D/L Chan	200	4	0	4,116,880:82:0	
1131	97	248	02:47:29.266	488DV6D	6TMSED	NORM,AL6	Sci, Eng, and D/L Chan	200	4	0	4,116,907:39:0	
1132	97	248	05:47:41.266	488DV6E	6TMSED	FILL,AL6	Sci, Eng, and D/L Chan	200	4	0	4,117,085:59:0	
1133	97	248	05:51:30.600	488DW6A	6TMSED	FILL,AL8	Sci, Eng, and D/L Chan	200	4	0	4,117,089:39:0	
1134	97	248	05:53:10.600	488DW6B	6TMSED	NORM,AL8	Sci, Eng, and D/L Chan	200	4	0	4,117,091:07:0	
1135	97	248	10:32:45.266	488DW6C	6TMSED	FILL,AL8	Sci, Eng, and D/L Chan	200	4	0	4,117,367:53:0	
1136	97	248	10:56:09.933	488DW6D	6TMSED	NORM,AL8	Sci, Eng, and D/L Chan	200	4	0	4,117,390:67:0	
1137	97	248	15:57:22.600	488DX6A	6TMSED	NORM,AL7	Sci, Eng, and D/L Chan	200	4	0	4,117,688:58:0	
1138	97	248	17:07:46.600	488DX6B	6TMSED	NORM,AL6	Sci, Eng, and D/L Chan	200	4	0	4,117,758:24:0	
1139	97	248	17:33:22.600	488DX6C	6TMSED	NORM,AL4	Sci, Eng, and D/L Chan	200	4	0	4,117,783:53:0	
1140	97	248	17:50:26.600	488DX6D	6TMSED	NORM,AL5	Sci, Eng, and D/L Chan	200	4	0	4,117,800:42:0	
1141	97	248	18:35:14.600	488DX6E	6TMSED	NORM,AL6	Sci, Eng, and D/L Chan	200	4	0	4,117,844:70:0	
1142	97	249	00:52:50.533	488DY6A	6TMSED	NORM,AL5	Sci, Eng, and D/L Chan	200	4	0	4,118,218:20:0	
1143	97	249	01:26:58.533	488DY6B	6TMSED	NORM,AL6	Sci, Eng, and D/L Chan	200	4	0	4,118,251:89:0	
1144	97	249	05:43:25.200	488DY6C	6TMSED	FILL,AL6	Sci, Eng, and D/L Chan	200	4	0	4,118,505:55:0	
1145	97	249	05:47:14.533	488DY6D	6TMSED	FILL,AL8	Sci, Eng, and D/L Chan	200	4	0	4,118,509:35:0	
1146	97	249	05:48:54.533	488DY6E	6TMSED	NORM,AL8	Sci, Eng, and D/L Chan	200	4	0	4,118,511:03:0	
1147	97	249	15:53:06.533	488DZ6A	6TMSED	NORM,AL7	Sci, Eng, and D/L Chan	200	4	0	4,119,108:54:0	
1148	97	249	17:03:30.533	488DZ6B	6TMSED	NORM,AL6	Sci, Eng, and D/L Chan	200	4	0	4,119,178:20:0	
1149	97	249	17:29:06.533	488DZ6C	6TMSED	NORM,AL4	Sci, Eng, and D/L Chan	200	4	0	4,119,203:49:0	
1150	97	249	17:46:10.533	488DZ6D	6TMSED	NORM,AL5	Sci, Eng, and D/L Chan	200	4	0	4,119,220:38:0	
1151	97	249	18:30:58.533	488DZ6E	6TMSED	NORM,AL6	Sci, Eng, and D/L Chan	200	4	0	4,119,264:66:0	
1152	97	250	00:48:34.533	488EA6A	6TMSED	NORM,AL5	Sci, Eng, and D/L Chan	200	4	0	4,119,638:16:0	
1153	97	250	01:20:34.533	488EA6B	6TMSED	NORM,AL6	Sci, Eng, and D/L Chan	200	4	0	4,119,669:75:0	

Line	YR	DOY	SCET - GMT	PSID	Command	Parameters	Description	GCM	GO	GS	RIM	MFI
1154	97	250	05:41:17.133	488EA6C	6TMSED	FILL,AL6	Sci, Eng, and D/L Chan	200	4	0	4,119,927:61:0	
1155	97	250	05:45:06.466	488EA6D	6TMSED	FILL,AL8	Sci, Eng, and D/L Chan	200	4	0	4,119,931:41:0	
1156	97	250	05:46:46.466	488EA6E	6TMSED	NORM,AL8	Sci, Eng, and D/L Chan	200	4	0	4,119,933:09:0	
1157	97	250	05:42:26.466	488EB6A	6TMSED	NORM,AL7	Sci, Eng, and D/L Chan	200	4	0	4,120,522:20:0	
1158	97	250	16:59:14.466	488EB6B	6TMSED	NORM,AL6	Sci, Eng, and D/L Chan	200	4	0	4,120,598:16:0	
1159	97	250	17:29:06.466	488EB6C	6TMSED	NORM,AL4	Sci, Eng, and D/L Chan	200	4	0	4,120,627:65:0	
1160	97	250	17:46:10.466	488EB6D	6TMSED	NORM,AL5	Sci, Eng, and D/L Chan	200	4	0	4,120,644:54:0	
1161	97	250	18:26:42.466	488EB6E	6TMSED	NORM,AL6	Sci, Eng, and D/L Chan	200	4	0	4,120,684:62:0	
1162	97	251	00:44:18.466	488EC6A	6TMSED	NORM,AL5	Sci, Eng, and D/L Chan	200	4	0	4,121,058:12:0	
1163	97	251	01:20:34.466	488EC6B	6TMSED	NORM,AL6	Sci, Eng, and D/L Chan	200	4	0	4,121,094:00:0	
1164	97	251	05:37:01.133	488EC6C	6TMSED	FILL,AL6	Sci, Eng, and D/L Chan	200	4	0	4,121,347:57:0	
1165	97	251	05:40:50.466	488EC6D	6TMSED	FILL,AL8	Sci, Eng, and D/L Chan	200	4	0	4,121,351:37:0	
1166	97	251	05:42:30.466	488EC6E	6TMSED	NORM,AL8	Sci, Eng, and D/L Chan	200	4	0	4,121,353:05:0	
1167	97	251	06:22:57.800	488ED6A	6TMSED	FILL,AL8	Sci, Eng, and D/L Chan	200	4	0	4,121,393:06:0	
1168	97	251	07:28:22.466	488ED6B	6TMSED	NORM,AL8	Sci, Eng, and D/L Chan	200	4	0	4,121,457:69:0	
1169	97	251	14:22:59.733	488EE6A	6TMSED	NORM,AL8	Sci, Eng, and D/L Chan	200	4	0	4,121,867:75:0	
1170	97	251	14:27:13.066	176SI6A	6TMREC	PPB	PAUSE PLAYBACK (PB CONTROL) Record Mode C	200	4	0	4,121,872:00:0	
1171	97	251	14:31:59.733	20UX4B	7SLEW	DIS,POS,0.0	Stator movement	200	4	0	4,121,876:66:0	
1172	97	251	14:32:59.733	20UX4D	7MODE	SPNL	AACS ALL-SPIN LOW	200	4	0	4,121,877:65:0	
1173	97	251	14:34:59.733	20UX4E	7SAFE	UNSTOW	SIP TO 153 deg cone	200	4	0	4,121,879:63:0	
1174	97	251	14:40:29.733	20UX4G	7VENT	0.611,1.333,8	ALERT -- Thruster fire	200	4	0	4,121,885:12:0	
1175	97	251	14:40:30.400	20UX4H	7VENT	0.611,10.989,8	ALERT -- Thruster fire	200	4	0	4,121,885:13:0	
1176	97	251	14:40:50.400	20UX4I	7VENT	0.611,1.333,6	ALERT -- Thruster fire	200	4	0	4,121,885:43:0	
1177	97	251	14:40:51.066	20UX4J	7VENT	0.611,10.989,6	ALERT -- Thruster fire	200	4	0	4,121,885:44:0	
1178	97	251	14:41:11.066	20UX4K	7VENT	0.611,1.333,4	ALERT -- Thruster fire	200	4	0	4,121,885:74:0	
1179	97	251	14:41:11.733	20UX4L	7VENT	0.611,0.666,5	ALERT -- Thruster fire	200	4	0	4,121,885:75:0	
1180	97	251	14:41:21.733	20UX4M	7VENT	0.611,1.333,4	ALERT -- Thruster fire	200	4	0	4,121,885:90:0	
1181	97	251	14:41:22.400	20UX4N	7VENT	0.611,0.666,5	ALERT -- Thruster fire	200	4	0	4,121,886:00:0	
1182	97	251	14:41:32.400	20UX4O	7VENT	1.211,1.333,10	ALERT -- Thruster fire	200	4	0	4,121,886:15:0	
1183	97	251	14:41:33.066	20UX4P	7VENT	1.211,0.666,12	ALERT -- Thruster fire	200	4	0	4,121,886:16:0	
1184	97	251	14:43:19.733	20UX4S	7VENT	0.611,1.333,7	ALERT -- Thruster fire	200	4	0	4,121,887:85:0	
1185	97	251	14:43:20.400	20UX4T	7VENT	0.611,10.989,7	ALERT -- Thruster fire	200	4	0	4,121,887:86:0	
1186	97	251	14:43:40.400	20UX4U	7VENT	0.611,1.333,1	ALERT -- Thruster fire	200	4	0	4,121,888:25:0	
1187	97	251	14:43:41.066	20UX4V	7VENT	0.611,10.989,1	ALERT -- Thruster fire	200	4	0	4,121,888:26:0	
1188	97	251	14:44:01.066	20UX4AC	7VENT	0.611,1.333,2	ALERT -- Thruster fire	200	4	0	4,121,888:56:0	
1189	97	251	14:44:01.733	20UX4AD	7VENT	0.611,0.666,3	ALERT -- Thruster fire	200	4	0	4,121,888:57:0	
1190	97	251	14:44:11.733	20UX4AE	7VENT	0.611,1.333,2	ALERT -- Thruster fire	200	4	0	4,121,888:72:0	
1191	97	251	14:44:12.400	20UX4AF	7VENT	0.611,0.666,3	ALERT -- Thruster fire	200	4	0	4,121,888:73:0	
1192	97	251	14:44:22.400	20UX4AW	7VENT	1.211,1.333,9	ALERT -- Thruster fire	200	4	0	4,121,888:88:0	
1193	97	251	14:44:23.066	20UX4X	7VENT	1.211,0.666,11	ALERT -- Thruster fire	200	4	0	4,121,888:89:0	
1194	97	251	14:45:19.733	20UX4Z	7MODE	CRU	AACS CRUISE MODE	200	4	0	4,121,889:83:0	
1195	97	251	15:04:59.066	432PL431A6A	6RCDSL	DDSNCG,PLSNCG,EP	Record Deselect (DDS o	200	4	0	4,121,909:32:0	
1196	97	251	15:04:59.733	432PL6A	6RTSL1		R/T Select of DDS and	200	4	0	4,121,909:33:0	
1197	97	251	15:11:03.733	20UO4A	7SAFE	STOP	SIP NO MOVEMENT	200	4	0	4,121,915:33:0	
1198	97	251	15:11:53.733	20UO4B	7SLEW	DIS,POS,0.0	Stator movement	200	4	0	4,121,916:17:0	
1199	97	251	15:13:43.733	176SW6A	6TMREC	PPB	RESUME PLAYBACK (PB CONTROL) Record Mode	200	4	0	4,121,918:00:0	
1200	97	251	15:38:10.400	488EE6B	6TMSED	NORM,AL7	Sci, Eng, and D/L Chan	200	4	0	4,121,942:16:0	
1201	97	251	16:30:59.733	488EE6C	6TMSED	NORM,AL7	Sci, Eng, and D/L Chan	200	4	0	4,121,994:38:0	
1202	97	251	16:52:50.400	488EE6D	6TMSED	NORM,AL6	Sci, Eng, and D/L Chan	200	4	0	4,122,016:02:0	
1203	97	251	17:14:10.400	488EE6E	6TMSED	NORM,AL4	Sci, Eng, and D/L Chan	200	4	0	4,122,037:11:0	
1204	97	251	17:56:50.400	488EF6A	6TMSED	NORM,AL5	Sci, Eng, and D/L Chan	200	4	0	4,122,079:29:0	
1205	97	251	18:49:26.400	488EF6B	6TMSED	FILL,AL5	Sci, Eng, and D/L Chan	200	4	0	4,122,131:31:0	
1206	97	251	19:18:32.400	488EF6C	6TMSED	NORM,AL5	Sci, Eng, and D/L Chan	200	4	0	4,122,160:11:0	
1207	97	251	20:00:34.400	488EF6D	6TMSED	NORM,AL6	Sci, Eng, and D/L Chan	200	4	0	4,122,201:63:0	
1208	97	251	23:08:18.400	488EF6E	6TMSED	NORM,AL5	Sci, Eng, and D/L Chan	200	4	0	4,122,387:33:0	

Line	YR	DOY	SCET - GMT	PSID	Command	Parameters	Description	GCM	GO	GS	RIM	MFI
1209	97	252	01:16:18.400	488EG6A	6TMSED	NORM,AL6	Sci, Eng, and D/L Chan	200	4	0	4,122,513:87:0	
1210	97	252	02:05:49.733	488EG6B	6TMSED	FILL,AL6	Sci, Eng, and D/L Chan	200	4	0	4,122,562:85:0	
1211	97	252	02:32:39.066	488EG6C	6TMSED	NORM,AL6	Sci, Eng, and D/L Chan	200	4	0	4,122,589:42:0	
1212	97	252	05:32:45.066	488EG6D	6TMSED	FILL,AL6	Sci, Eng, and D/L Chan	200	4	0	4,122,767:53:0	
1213	97	252	05:36:34.400	488EG6E	6TMSED	FILL,AL8	Sci, Eng, and D/L Chan	200	4	0	4,122,771:33:0	
1214	97	252	05:38:14.400	488EH6A	6TMSED	NORM,AL8	Sci, Eng, and D/L Chan	200	4	0	4,122,773:01:0	
1215	97	252	15:33:54.333	488EI6A	6TMSED	NORM,AL7	Sci, Eng, and D/L Chan	200	4	0	4,123,362:12:0	
1216	97	252	16:48:34.333	488EI6B	6TMSED	NORM,AL6	Sci, Eng, and D/L Chan	200	4	0	4,123,435:89:0	
1217	97	252	17:18:26.333	488EI6C	6TMSED	NORM,AL4	Sci, Eng, and D/L Chan	200	4	0	4,123,465:47:0	
1218	97	252	17:35:30.333	488EI6D	6TMSED	NORM,AL5	Sci, Eng, and D/L Chan	200	4	0	4,123,482:36:0	
1219	97	252	18:20:18.333	488EI6E	6TMSED	NORM,AL6	Sci, Eng, and D/L Chan	200	4	0	4,123,526:64:0	
1220	97	253	00:37:54.333	488EJ6A	6TMSED	NORM,AL5	Sci, Eng, and D/L Chan	200	4	0	4,123,900:14:0	
1221	97	253	02:00:41.666	488EJ6B	6TMSED	FILL,AL5	Sci, Eng, and D/L Chan	200	4	0	4,123,982:03:0	
1222	97	253	02:01:06.333	488EJ6C	6TMSED	FILL,AL6	Sci, Eng, and D/L Chan	200	4	0	4,123,982:40:0	
1223	97	253	02:27:42.333	488EJ6D	6TMSED	NORM,AL6	Sci, Eng, and D/L Chan	200	4	0	4,124,008:68:0	
1224	97	253	05:22:05.000	488EJ6E	6TMSED	FILL,AL6	Sci, Eng, and D/L Chan	200	4	0	4,124,181:19:0	
1225	97	253	05:25:54.333	488EK6A	6TMSED	FILL,AL8	Sci, Eng, and D/L Chan	200	4	0	4,124,184:90:0	
1226	97	253	05:27:34.333	488EK6B	6TMSED	NORM,AL8	Sci, Eng, and D/L Chan	200	4	0	4,124,186:58:0	
1227	97	253	05:29:57.666	176KG6A	6TMREC	PPB	PAUSE PLAYBACK (PB CONTROL) Record Mode C	200	4	0	4,124,189:00:0	
1228	97	253	07:09:03.000	465LB6A	6DMST		3840 DMS Slew to TIC	200	4	0	4,124,287:00:0	
1229	97	253	07:09:03.000		DMS:	: *SLEW-TIC	P7, TRACK *1, FWD, TIC 3619.63 +/-	200	4	0	4,124,287:00:0	
1230	97	253	07:09:03.000		DMS:	: *E4-DELAY	RDY, TRACK 1, FWD, TIC 3619.63 +/-	200	4	0	4,124,287:00:0	
1231	97	253	07:09:09.666		DMS:	: *RUNUP	P7, TRACK 1, FWD, TIC 3619.63 +/-	200	4	0	4,124,287:10:0	
1232	97	253	07:09:11.066		DMS:	: *AT SPD	P7, TRACK 1, FWD, TIC *3619.75 +/-	200	4	0	4,124,287:12:1	
1233	97	253	07:24:41.133		DMS:	: *RUNDOWN	P7, TRACK 1, FWD, TIC *3837.94 +/-	200	4	0	4,124,302:42:2	
1234	97	253	07:24:42.333		DMS:	: *READY	RDY, TRACK 1, FWD, TIC *3838.00 +/-	200	4	0	4,124,302:44:0	
1235	97	253	08:27:58.333	488EK6C	6TMSED	FILL,AL8	Sci, Eng, and D/L Chan	200	4	0	4,124,365:05:0	
1236	97	253	08:51:23.000	488EK6D	6TMSED	NORM,AL8	Sci, Eng, and D/L Chan	200	4	0	4,124,388:19:0	
1237	97	253	09:50:02.333	490UD412A4B	7MODE	INT	AACS INERTIAL MODE	200	4	0	4,124,446:20:0	
1238	97	253	09:50:26.333	488EK6E	6TMSED	NORM,AL4	Sci, Eng, and D/L Chan	200	4	0	4,124,446:56:0	
1239	97	253	09:55:00.333	490UD412A4D	7SAFE	UNSTOW	SIP TO 153 deg cone	200	4	0	4,124,451:12:0	
1240	97	253	09:59:10.333	490UD412A4E	7VECT	RTH	Inert vect update UTC	200	4	0	4,124,455:23:0	
1241	97	253	09:59:14.333	490UD412A4F	7TURN	2,RTH	ALERT Thruster	200	4	0	4,124,455:29:0	
1242	97	253	10:03:02.333	490UD412A406A4A	7STAR	1,3000,95.710999	Star catalog update	200	4	0	4,124,459:07:0	
1243	97	253	10:03:04.333	490UD412A406A4B	7STAR	2,112,10.273,-18	Star catalog update	200	4	0	4,124,459:10:0	
1244	97	253	10:03:06.333	490UD412A406A4C	7STAR	3,131,322.01	Star catalog update	200	4	0	4,124,459:13:0	
1245	97	253	10:03:08.333	490UD412A406A4D	7STAR	4,0,0,0,0,0,0	Star catalog update	200	4	0	4,124,459:16:0	
1246	97	253	10:03:10.333	490UD412A406A4E	7STAR	5,0,0,0,0,0,0	Star catalog update	200	4	0	4,124,459:19:0	
1247	97	253	10:03:12.333	490UD412A406A4F	7STAR	6,0,0,0,0,0,0	Star catalog update	200	4	0	4,124,459:22:0	
1248	97	253	11:45:08.999	C9NNCHOPON05-		-----START-----		200	4	0	:	:
1249	97	253	11:48:02.333	125FA	NIMSNIT	GS	##### GROUP START INIT	200	4	0	4,124,562:84:0	
1250	97	253	11:48:02.333	125FA4A	37IST	1,0,0,OFF,0,0,0	Chopper ON, Sync, 63Hz (Ref)	260	4	0	4,124,562:84:0	
1251	97	253	11:49:03.000	125FA4B	37IST	1,2,0,OFF,0,0,0	Chopper ON, Sync, Chopper (Ref)	2R0	4	0	4,124,563:84:0	
1252	97	253	11:50:03.666	125FA4C	37MB	0,0,0,0,0,0,0	Selects mirror (spatial) edit table	2R0	4	0	4,124,564:84:0	
1253	97	253	11:50:03.666	125FA11A	NIMSNIT	GE	##### GROUP END INIT	2R0	4	0	4,124,564:84:0	
1254	97	253	11:53:59.666	43200431A6A	6RCDSL	DDSNCG,PLSNCG,EP	Record Deselect (DDS o	2R0	4	0	4,124,568:74:0	
1255	97	253	11:54:00.333	4320O06A	6RTSL1		R/T Select of DDS and	2R0	4	0	4,124,568:75:0	
1256	97	253	11:55:15.666	C9NNCHOPON05-		-----STOP-----		2R0	4	0	:	:
1257	97	253	12:04:17.666		DMS:	: READY	RDY, TRACK *3, FWD, TIC 3838.00 +/-	2R0	4	0	4,124,579:00:0	
1258	97	253	12:04:17.666	465LC6A	6DMSC	RDY,3	DMS Control Tape stop	2R0	4	0	4,124,579:00:0	
1259	97	253	12:04:21.666	C9NNOPCAL_01-		-----START-----		2R0	4	0	:	:
1260	97	253	12:05:00.333	41SM99A	POWER	PWR MODE change	Change to Data Taking Mode	2R0	4	0	4,124,579:64:0	
1261	97	253	12:05:04.333	41SM3A	40T1PR		1 PCT Heater 1 OFF (primary relay)	2R0	4	0	4,124,579:70:0	
1262	97	253	12:05:14.333	41SM3B	40T1PR		2 PCT Heater 1 OFF (primary relay)	2R0	4	0	4,124,579:85:0	
1263	97	253	12:05:24.333	41SM3C	40T2R		1 PCT Heater 2 OFF	2R0	4	0	4,124,580:09:0	

Line	YR	DOY	SCET - GMT	PSID	Command	Parameters	Description	GCM	GO	GS	RIM	MFI
1264	97	253	12:05:34.333	41SM3D	40T2R	2 PCT Heater 2 OFF		2R0	4	0	4,124,580:24:0	
1265	97	253	12:09:16.333	125DA4A	37IST	0,0,0,OFF,0,1,1	Gain State 4	4R0	4	0	4,124,583:84:0	
1266	97	253	12:09:16.333	125DA	NIMSINIT	GS	##### GROUP START INIT	4R0	4	0	4,124,583:84:0	
1267	97	253	12:10:17.000	125DA11A	NIMSINIT	GE	##### GROUP END INIT	4R0	4	0	4,124,584:84:0	
1268	97	253	12:10:17.000	125DA4B	37MB	1B,1B,0,0,0,0	Selects mirror (spatial) edit table	4R0	4	0	4,124,584:84:0	
1269	97	253	12:13:19.000	127DA4A	37IOP	3,0	Long Map, Grating Start Position =00	4R3	4	0	4,124,587:84:0	
1270	97	253	12:13:19.000	127DA	NIMSTAB	GS	%%%% GROUP START TAB	4R3	4	0	4,124,587:84:0	
1271	97	253	12:13:19.666	127DA4B	37ETB	07,C7,31,80,00,0	Loads wavelength edit table	4R3	4	0	4,124,587:85:0	
1272	97	253	12:13:27.666	127DA11A	NIMSTAB	GE	%%%% GROUP END TAB	4R3	4	0	4,124,588:06:0	
1273	97	253	12:14:44.333	432DA6A	6RTSL2	NIMSEL,AACNCG,RT	NIMS R/T SELECT	4R3	4	0	4,124,589:30:0	
1274	97	253	12:15:20.333	125D4A	37IST	0,2,1,OFF,1,0,1	OPCAL	4R3	4	0	4,124,589:84:0	
1275	97	253	12:15:20.333	125D11A	NIMSINIT	GE	##### GROUP END INIT	4R3	4	0	4,124,589:84:0	
1276	97	253	12:15:20.333	125DI	NIMSINIT	GS	##### GROUP START INIT	4R3	4	0	4,124,589:84:0	
1277	97	253	12:17:21.666	125DJ11A	NIMSINIT	GE	##### GROUP END INIT	4R3	4	0	4,124,591:84:0	
1278	97	253	12:17:21.666	125DJ4A	37IST	0,2,1,OFF,1,0,1	OPCAL	4R3	4	0	4,124,591:84:0	
1279	97	253	12:17:21.666	125DJ	NIMSINIT	GS	##### GROUP START INIT	4R3	4	0	4,124,591:84:0	
1280	97	253	12:17:45.000	432D16A	6RTDS2	NIMDSL,AACNCG,RT	NIMS R/T DESELECT	4R3	4	0	4,124,592:28:0	
1281	97	253	12:18:22.333	125EU11A	NIMSINIT	GE	##### GROUP END INIT	4R3	4	0	4,124,592:84:0	
1282	97	253	12:18:22.333	125EU	NIMSINIT	GS	##### GROUP START INIT	4R3	4	0	4,124,592:84:0	
1283	97	253	12:18:22.333	125EU4A	37MB	0,0,0,0,0,0	Selects mirror (spatial) edit table	4R3	4	0	4,124,592:84:0	
1284	97	253	12:19:27.000	165KY4A	7SCAN	NORM,174.845999,	Check S/P Position	4R3	4	0	4,124,593:90:0	
1285	97	253	12:23:23.000	175KQ422A6A	6DMSC	R115.3	DMS Control	4R3	4	0	4,124,597:80:0	
1286	97	253	12:23:23.000	DMS:		:*E4-DELAY	RDY, TRACK *1, FWD, TIC 3838.00 +/-	4R3	4	0	4,124,597:80:0	
1287	97	253	12:23:24.333	118KY	SMOS	GS		4R3	4	0	4,124,597:82:0	
1288	97	253	12:23:29.666	DMS:		:*RUNUP	R115, TRACK *3, FWD, TIC 3838.00 +/-	4R3	4	0	4,124,597:90:0	
1289	97	253	12:23:33.000	175KQ176A6A	6TMREC	HMA	115.2 KBPS IMAGE(1-400)RECORD Record Mode	4R3	4	0	4,124,598:04:0	
1290	97	253	12:23:33.666	DMS:		:*RECORD	R115, TRACK 3, FWD, TIC *3844.30 +/-	4R3	4	0	4,124,598:05:0	
1291	97	253	12:23:33.666	DMS:		:*AT SPD	R115, TRACK 3, FWD, TIC 3844.30 +/-	4R3	4	0	4,124,598:05:0	
1292	97	253	12:23:34.333	118KY110A11A4A	7STRP	-0.00415,-0.0033	Slew =,2.01	4R3	4	0	4,124,598:06:0	
1293	97	253	12:24:35.666	118KY110A11A4B	7STRP	0.00840,0.0066,0,	Slew =,3.01	4R3	4	0	4,124,599:07:0	
1294	97	253	12:25:06.333	118KY110A11A4C	7STRP	-0.00415,-0.0033	Slew =,2.01	4R3	4	0	4,124,599:53:0	
1295	97	253	12:26:07.666	118KY11A	SMOS	GE		4R3	4	0	4,124,600:54:0	
1296	97	253	12:26:15.000	116KZ4A	7STRP	-0.0015,-0.006,0	Slew =,3.01	4R3	4	0	4,124,600:65:0	
1297	97	253	12:26:32.333	DMS:		:*RUNDOWN	R115, TRACK 3, FWD, TIC *4472.42 +/-	4R3	4	0	4,124,601:00:0	
1298	97	253	12:26:32.333	175KQ422A6B	6DMSC	RDY,0	DMS Control Tape stop	4R3	4	0	4,124,601:00:0	
1299	97	253	12:26:33.533	DMS:		:*READY	RDY, TRACK 3, FWD, TIC *4473.42 +/-	4R3	4	0	4,124,601:01:8	
1300	97	253	12:27:25.666	175KR422A6A	6DMSC	R115.3	DMS Control	4R3	4	0	4,124,601:80:0	
1301	97	253	12:27:25.666	DMS:		:*E4-DELAY	RDY, TRACK *1, FWD, TIC 4473.42 +/-	4R3	4	0	4,124,601:80:0	
1302	97	253	12:27:27.000	118KZ	SMOS	GS		4R3	4	0	4,124,601:82:0	
1303	97	253	12:27:32.333	DMS:		:*RUNUP	R115, TRACK *3, FWD, TIC 4473.42 +/-	4R3	4	0	4,124,601:90:0	
1304	97	253	12:27:35.666	175KR176A6A	6TMREC	HMA	115.2 KBPS IMAGE(1-400)RECORD Record Mode	4R3	4	0	4,124,602:04:0	
1305	97	253	12:27:36.333	DMS:		:*AT SPD	R115, TRACK 3, FWD, TIC 4479.72 +/-	4R3	4	0	4,124,602:05:0	
1306	97	253	12:27:36.333	DMS:		:*RECORD	R115, TRACK 3, FWD, TIC *4479.72 +/-	4R3	4	0	4,124,602:05:0	
1307	97	253	12:27:36.999	C9NNOPCAL_01-		-----STOP-----		4R3	4	0	:	:
1308	97	253	12:27:37.000	118KZ110A11A4A	7STRP	0,0,-0,0055,92,0	Slew =,3.01	4R3	4	0	4,124,602:06:0	
1309	97	253	12:28:07.666	118KZ110A11A4B	7STRP	0,0,0,0055,0,0,0	Slew =,0.5,0	4R3	4	0	4,124,602:52:0	
1310	97	253	12:28:38.333	118KZ110A11A4C	7STRP	0,0,-0,0055,92,0	Slew =,3.01	4R3	4	0	4,124,603:07:0	
1311	97	253	12:29:09.000	118KZ110A11A4D	7STRP	0,0,0,0055,0,0,0	Slew =,0.5,0	4R3	4	0	4,124,603:53:0	
1312	97	253	12:29:39.666	118KZ110A11A4E	7STRP	0,0,-0,0055,92,0	Slew =,3.01	4R3	4	0	4,124,604:08:0	
1313	97	253	12:30:10.333	118KZ11A	SMOS	GE		4R3	4	0	4,124,604:54:0	
1314	97	253	12:30:17.666	116LA4A	7STRP	0,0015,-0,002,0,	Slew =,3.01	4R3	4	0	4,124,604:65:0	
1315	97	253	12:30:35.000	DMS:		:*RUNDOWN	R115, TRACK 3, FWD, TIC *5107.85 +/-	4R3	4	0	4,124,605:00:0	
1316	97	253	12:30:35.000	175KR422A6B	6DMSC	RDY,0	DMS Control Tape stop	4R3	4	0	4,124,605:00:0	
1317	97	253	12:30:36.200	DMS:		:*READY	RDY, TRACK 3, FWD, TIC *5108.85 +/-	4R3	4	0	4,124,605:01:8	
1318	97	253	12:31:28.333	175KS422A6A	6DMSC	R115.3	DMS Control	4R3	4	0	4,124,605:80:0	

Line	YR	DOY	SCET - GMT	PSID	Command	Parameters	Description	GO	GS	RIM	MFI
1319	97	253	12:31:28.333		DMS:	:*E4-DELAY	RDY, TRACK *1, FWD, TIC 5108.85 +/-	4R3	4	0	4,124,605:80:0
1320	97	253	12:31:29.666	118LA	SMOS	GS		4R3	4	0	4,124,605:82:0
1321	97	253	12:31:35.000		DMS:	:*RUNUP	R115, TRACK *3, FWD, TIC 5108.85 +/-	4R3	4	0	4,124,605:90:0
1322	97	253	12:31:38.333	175KS176A6A	6TMREC	HMA	115.2 KBPS IMAGE(1-400)RECORD Record Mode	4R3	4	0	4,124,606:04:0
1323	97	253	12:31:39.000		DMS:	:*AT SPD	R115, TRACK 3, FWD, TIC 5115.15 +/-	4R3	4	0	4,124,606:05:0
1324	97	253	12:31:39.000		DMS:	:*RECORD	R115, TRACK 3, FWD, TIC *5115.15 +/-	4R3	4	0	4,124,606:05:0
1325	97	253	12:31:39.666	118LA110A111A4A	7STRP	0.004,-0.00325,9	Slew =2.01	4R3	4	0	4,124,606:06:0
1326	97	253	12:32:41.000	118LA110A111A4B	7STRP	-0.008,0.0065,0,	Slew =0.5,0	4R3	4	0	4,124,607:07:0
1327	97	253	12:33:11.666	118LA110A111A4C	7STRP	0.004,-0.00325,9	Slew =2.01	4R3	4	0	4,124,607:53:0
1328	97	253	12:34:13.000	118LA11A	SMOS	GE		4R3	4	0	4,124,608:54:0
1329	97	253	12:34:37.000	165AF4A	7SCAN	NORM,174.450998,	Check S/P Position	4R3	4	0	4,124,608:90:0
1330	97	253	12:34:37.666	175KS422A6B	6DMSC	RDY,0	DMS Control Tape stop	4R3	4	0	4,124,609:00:0
1331	97	253	12:34:37.666		DMS:	:*RUNDOWN	R115, TRACK 3, FWD, TIC *5743.27 +/-	4R3	4	0	4,124,609:00:0
1332	97	253	12:34:38.866		DMS:	:*READY	RDY, TRACK 3, FWD, TIC *5744.27 +/-	4R3	4	0	4,124,609:01:8
1333	97	253	12:38:39.666	165AG4A	7SCAN	NORM,174.296,2.4	Check S/P Position	4R3	4	0	4,124,612:90:0
1334	97	253	12:42:42.333	165AH4A	7SCAN	NORM,174.063,2.1	Check S/P Position	4R3	4	0	4,124,616:90:0
1335	97	253	12:46:45.000	165AJ4A	7SCAN	NORM,174.011999,	Check S/P Position	4R3	4	0	4,124,620:90:0
1336	97	253	12:50:47.666	165AJ4A	7SCAN	NORM,174.026999,	Check S/P Position	4R3	4	0	4,124,624:90:0
1337	97	253	12:53:54.333	C9JNFEA14501-		-----START-----		4R3	4	0	:
1338	97	253	12:54:50.333	165LP4A	7SCAN	NORM,174.33,2.09	Check S/P Position	4R3	4	0	4,124,628:90:0
1339	97	253	12:56:47.666	125LP4A	37IST	0,2,0,OFF,0,1,0	Gain State 2	2R3	4	0	4,124,630:84:0
1340	97	253	12:56:47.666	125LP11A	NIMSINIT	GE	##### GROUP END INIT	2R3	4	0	4,124,630:84:0
1341	97	253	12:56:47.666	125LP	NIMSINIT	GS	##### GROUP START INIT	2R3	4	0	4,124,630:84:0
1342	97	253	12:57:48.333	127LP4A	37IOP	5,1	Short Map, Grating Start Position =01	2R5	4	1	4,124,631:84:0
1343	97	253	12:57:48.333	127LP	NIMSTAB	GS	%%%GROUP START TAB	2R5	4	1	4,124,631:84:0
1344	97	253	12:57:49.000	127LP4B	37ETB	GE	Loads wavelength edit table	2R5	4	1	4,124,631:85:0
1345	97	253	12:57:57.000	127LP11A	NIMSTAB	GE	%%GROUP END TAB	2R5	4	1	4,124,632:06:0
1346	97	253	12:58:42.333	175LP422A6A	6DMSC	R7,3	DMS Control	2R5	4	1	4,124,632:74:0
1347	97	253	12:58:42.333		DMS:	:*E4-DELAY	RDY, TRACK *1, FWD, TIC 5744.27 +/-	2R5	4	1	4,124,632:74:0
1348	97	253	12:58:44.333	117LP	CSMOS	GS	*** GROUP START CSMOS	2R5	4	1	4,124,632:77:0
1349	97	253	12:58:49.000		DMS:	:*RUNUP	R7, TRACK *3, FWD, TIC 5744.27 +/-	2R5	4	1	4,124,632:84:0
1350	97	253	12:58:50.333	175LP176A6A	6TMREC	LPU	7.68 KBPS NIMS-UVS-PPR RECORD Record Mode	2R5	4	1	4,124,632:86:0
1351	97	253	12:58:50.400		DMS:	:*AT SPD	R7, TRACK 3, FWD, TIC 5744.39 +/-	2R5	4	1	4,124,632:86:1
1352	97	253	12:58:50.400		DMS:	:*RECORD	R7, TRACK 3, FWD, TIC *5744.39 +/-	2R5	4	1	4,124,632:86:1
1353	97	253	12:58:53.666	117LP105A106A4A	7STRP	-0.006,0.0,0.0,0	Slew =0.11	2R5	4	1	4,124,633:00:0
1354	97	253	12:58:53.666	C9JNFEA14501-	NIMPBK	301KL	JUPITER FEATURE 145 DEGREES PHAS	2R5	4	1	:
1355	97	253	12:59:43.666	C9JNFEA14501-	DESEL	300KL	JUPITER FEATURE 145 DEGREES PHAS	2R5	4	1	:
1356	97	253	12:59:45.666	175LP422A6B	6DMSC	RDY,0	DMS Control Tape stop	2R5	4	1	4,124,633:78:0
1357	97	253	12:59:45.666	175LP6A	6TMREC	NRC	NO RECORD Record Mode Change	2R5	4	1	4,124,633:78:0
1358	97	253	12:59:45.666		DMS:	:*RUNDOWN	R7, TRACK 3, FWD, TIC *5757.35 +/-	2R5	4	1	4,124,633:78:0
1359	97	253	12:59:46.866		DMS:	:*READY	RDY, TRACK 3, FWD, TIC *5757.41 +/-	2R5	4	1	4,124,633:79:8
1360	97	253	12:59:54.333	117LP11A	CSMOS	GE	**** GROUP END CSMOS	2R5	4	1	4,124,634:00:0
1361	97	253	12:59:58.333	C9JNFEA14501-		-----STOP-----		2R5	4	1	:
1362	97	253	13:01:59.666	C9JNFEA14502-		-----START-----		2R5	4	1	:
1363	97	253	13:02:55.666	165LS4A	7SCAN	NORM,174.344999,	Check S/P Position	2R5	4	1	4,124,636:90:0
1364	97	253	13:06:47.666	175LS422A6A	6DMSC	R7,3	DMS Control	2R5	4	1	4,124,640:74:0
1365	97	253	13:06:47.666		DMS:	:*E4-DELAY	RDY, TRACK *1, FWD, TIC 5757.41 +/-	2R5	4	1	4,124,640:74:0
1366	97	253	13:06:49.666	117LS	CSMOS	GS	**** GROUP START CSMOS	2R5	4	1	4,124,640:77:0
1367	97	253	13:06:54.333		DMS:	:*RUNUP	R7, TRACK *3, FWD, TIC 5757.41 +/-	2R5	4	1	4,124,640:84:0
1368	97	253	13:06:55.666	175LS176A6A	6TMREC	LPU	7.68 KBPS NIMS-UVS-PPR RECORD Record Mode	2R5	4	1	4,124,640:86:0
1369	97	253	13:06:55.733		DMS:	:*AT SPD	R7, TRACK 3, FWD, TIC 5757.53 +/-	2R5	4	1	4,124,640:86:1
1370	97	253	13:06:55.733		DMS:	:*RECORD	R7, TRACK 3, FWD, TIC *5757.53 +/-	2R5	4	1	4,124,640:86:1
1371	97	253	13:06:59.000	C9JNFEA14502-	NIMPBK	301KM	JUPITER FEATURE 145 DEGREES PHAS	2R5	4	1	:
1372	97	253	13:06:59.000	117LS105A106A4A	7STRP	-0.006,0.0,0.0,0	Slew =0.11	2R5	4	1	4,124,641:00:0
1373	97	253	13:07:49.000	C9JNFEA14502-	DESEL	300KM	JUPITER FEATURE 145 DEGREES PHAS	2R5	4	1	:

Line	YR	DOY	SCET - GMT	PSID	Command	Parameters	Description	GCM	GO	GS	RIM	MFI
1374	97	253	13:07:51.000		DMS:	: *RUNDOWN	R7, TRACK 3, FWD, TIC *5770.48 +/-	2R5	4	1	4,124,641:78:0	
1375	97	253	13:07:51.000	175LS6A	6TMREC	NRC	NO RECORD Record Mode Change	2R5	4	1	4,124,641:78:0	
1376	97	253	13:07:51.000	175LS422A6B	6DMSC	RDY,0	DMS Control Tape stop	2R5	4	1	4,124,641:78:0	
1377	97	253	13:07:52.200		DMS:	: *READY	RDY, TRACK 3, FWD, TIC *5770.54 +/-	2R5	4	1	4,124,641:79:8	
1378	97	253	13:07:59.666	117LS11A	CSMOS	GE	***** GROUP END CSMOS	2R5	4	1	4,124,642:00:0	
1379	97	253	13:08:03.666	C9JNFEA14502-		-----STOP-----		2R5	4	1	::	
1380	97	253	13:09:04.333	C9JNGRS14501-		-----START-----		2R5	4	1	::	
1381	97	253	13:10:00.333	165FB4A	7SCAN	NORM,174.188,1.7	Check S/P Position	2R5	4	1	4,124,643:90:0	
1382	97	253	13:13:52.333	175LZ422A6A	6DMSC	R7,3	DMS Control	2R5	4	1	4,124,647:74:0	
1383	97	253	13:13:52.333		DMS:	: *E4-DELAY	RDY, TRACK *1, FWD, TIC 5770.54 +/-	2R5	4	1	4,124,647:74:0	
1384	97	253	13:13:54.333	117FB	CSMOS	GS	***** GROUP START CSMOS	2R5	4	1	4,124,647:77:0	
1385	97	253	13:13:59.000		DMS:	: *RUNUP	R7, TRACK *3, FWD, TIC 5770.54 +/-	2R5	4	1	4,124,647:84:0	
1386	97	253	13:14:00.333	175LZ176A6A	6TMREC	LPU	7.68 KBPS NIMS-UVS-PPR RECORD Record Mode	2R5	4	1	4,124,647:86:0	
1387	97	253	13:14:00.400		DMS:	: *RECORD	R7, TRACK 3, FWD, TIC *5770.66 +/-	2R5	4	1	4,124,647:86:1	
1388	97	253	13:14:00.400		DMS:	: *AT SPD	R7, TRACK 3, FWD, TIC 5770.66 +/-	2R5	4	1	4,124,647:86:1	
1389	97	253	13:14:03.666	117FB105A106A4A	7STRP	-0.006,0.0,0.0,0.0	Slew =,0.11	2R5	4	1	4,124,648:00:0	
1390	97	253	13:14:03.666	C9JNGRS14501-	NIMPBK	301KN	JUPITER GRS 145 DEGREE PHASE PRT	2R5	4	1	::	
1391	97	253	13:14:53.666	C9JNGRS14501-	DESEL	300KN	JUPITER GRS 145 DEGREE PHASE PRT	2R5	4	1	::	
1392	97	253	13:14:55.666	175LZ422A6B	6DMSC	RDY,0	DMS Control Tape stop	2R5	4	1	4,124,648:78:0	
1393	97	253	13:14:55.666		DMS:	: *RUNDOWN	R7, TRACK 3, FWD, TIC *5783.61 +/-	2R5	4	1	4,124,648:78:0	
1394	97	253	13:14:55.666	175LZ6A	6TMREC	NRC	NO RECORD Record Mode Change	2R5	4	1	4,124,648:78:0	
1395	97	253	13:14:56.866		DMS:	: *READY	RDY, TRACK 3, FWD, TIC *5783.67 +/-	2R5	4	1	4,124,648:79:8	
1396	97	253	13:15:04.333	117FB11A	CSMOS	GE	***** GROUP END CSMOS	2R5	4	1	4,124,649:00:0	
1397	97	253	13:15:08.333	C9JNGRS14501-		-----STOP-----		2R5	4	1	::	
1398	97	253	13:17:09.666	C9JNGRS14502-		-----START-----		2R5	4	1	::	
1399	97	253	13:18:05.666	165LU4A	7SCAN	NORM,174.257999,	Check S/P Position	2R5	4	1	4,124,651:90:0	
1400	97	253	13:21:57.666		DMS:	: *E4-DELAY	RDY, TRACK *1, FWD, TIC 5783.67 +/-	2R5	4	1	4,124,655:74:0	
1401	97	253	13:21:57.666	175LU422A6A	6DMSC	R7,3	DMS Control	2R5	4	1	4,124,655:74:0	
1402	97	253	13:21:59.666	117LU	CSMOS	GS	***** GROUP START CSMOS	2R5	4	1	4,124,655:77:0	
1403	97	253	13:22:04.333		DMS:	: *RUNUP	R7, TRACK *3, FWD, TIC 5783.67 +/-	2R5	4	1	4,124,655:84:0	
1404	97	253	13:22:05.666	175LU176A6A	6TMREC	LPU	7.68 KBPS NIMS-UVS-PPR RECORD Record Mode	2R5	4	1	4,124,655:86:0	
1405	97	253	13:22:05.733		DMS:	: *AT SPD	R7, TRACK 3, FWD, TIC 5783.79 +/-	2R5	4	1	4,124,655:86:1	
1406	97	253	13:22:05.733		DMS:	: *RECORD	R7, TRACK 3, FWD, TIC *5783.79 +/-	2R5	4	1	4,124,655:86:1	
1407	97	253	13:22:09.000	117LU105A106A4A	7STRP	-0.006,0.0,0.0,0.0	Slew =,0.11	2R5	4	1	4,124,656:00:0	
1408	97	253	13:22:09.000	C9JNGRS14502-	NIMPBK	301KO	JUPITER GRS 145 DEGREES PHASE PR	2R5	4	1	::	
1409	97	253	13:22:59.000	C9JNGRS14502-	DESEL	300KO	JUPITER GRS 145 DEGREES PHASE PR	2R5	4	1	::	
1410	97	253	13:23:01.000		DMS:	: *RUNDOWN	R7, TRACK 3, FWD, TIC *5796.75 +/-	2R5	4	1	4,124,656:78:0	
1411	97	253	13:23:01.000	175LU422A6B	6DMSC	RDY,0	DMS Control Tape stop	2R5	4	1	4,124,656:78:0	
1412	97	253	13:23:01.000	175LU6A	6TMREC	NRC	NO RECORD Record Mode Change	2R5	4	1	4,124,656:78:0	
1413	97	253	13:23:02.200		DMS:	: *READY	RDY, TRACK 3, FWD, TIC *5796.81 +/-	2R5	4	1	4,124,656:79:8	
1414	97	253	13:23:09.666	117LU11A	CSMOS	GE	***** GROUP END CSMOS	2R5	4	1	4,124,657:00:0	
1415	97	253	13:23:13.666	C9JNGRS14502-		-----STOP-----		2R5	4	1	::	
1416	97	253	13:24:04.333	C9JNFEA14503-		-----START-----		2R5	4	1	::	
1417	97	253	13:24:09.666	165MG4A	7SCAN	NORM,174.339998,	Check S/P Position	2R5	4	1	4,124,657:90:0	
1418	97	253	13:28:01.666	175LV422A6A	6DMSC	R7,3	DMS Control	2R5	4	1	4,124,661:74:0	
1419	97	253	13:28:01.666		DMS:	: *E4-DELAY	RDY, TRACK *1, FWD, TIC 5796.81 +/-	2R5	4	1	4,124,661:74:0	
1420	97	253	13:28:03.666	117MG	CSMOS	GS	***** GROUP START CSMOS	2R5	4	1	4,124,661:77:0	
1421	97	253	13:28:08.333		DMS:	: *RUNUP	R7, TRACK *3, FWD, TIC 5796.81 +/-	2R5	4	1	4,124,661:84:0	
1422	97	253	13:28:09.666	175LV176A6A	6TMREC	LPU	7.68 KBPS NIMS-UVS-PPR RECORD Record Mode	2R5	4	1	4,124,661:86:0	
1423	97	253	13:28:09.733		DMS:	: *RECORD	R7, TRACK 3, FWD, TIC *5796.93 +/-	2R5	4	1	4,124,661:86:1	
1424	97	253	13:28:09.733		DMS:	: *AT SPD	R7, TRACK 3, FWD, TIC 5796.93 +/-	2R5	4	1	4,124,661:86:1	
1425	97	253	13:28:13.000	117MG105A106A4A	7STRP	-0.006,0.0,0.0,0.0	Slew =,0.11	2R5	4	1	4,124,662:00:0	
1426	97	253	13:28:13.000	C9JNFEA14503-	NIMPBK	301KP	JUPITER FEATURE 145 DEGREES PHAS	2R5	4	1	::	
1427	97	253	13:29:03.000	C9JNFEA14503-	DESEL	300KP	JUPITER FEATURE 145 DEGREES PHAS	2R5	4	1	::	
1428	97	253	13:29:05.000		DMS:	: *RUNDOWN	R7, TRACK 3, FWD, TIC *5809.88 +/-	2R5	4	1	4,124,662:78:0	

Line	YR	DOY	SCET - GMT	PSID	Command	Parameters	Description	GCM	GO	GS	RIM	MFI
1429	97	253	13:29:05.000	175LV6A	6TMREC	NRC	NO RECORD Record Mode Change	2R5	4	1	4,124,662:78:0	
1430	97	253	13:29:05.000	175LV422A6B	6DMSC	RDY.0	DMS Control Tape stop	2R5	4	1	4,124,662:78:0	
1431	97	253	13:29:06.200		DMS:	:*READY	RDY, TRACK 3, FWD, TIC *5809.94 +/-	2R5	4	1	4,124,662:79:8	
1432	97	253	13:29:13.666	117MG11A	CSMOS	GE	***** GROUP END CSMOS	2R5	4	1	4,124,663:00:0	
1433	97	253	13:29:17.666	C9JNSOU14501-		-----START-----		2R5	4	1	::	
1434	97	253	13:29:17.666	C9JNFEA14503-		-----STOP-----		2R5	4	1	::	
1435	97	253	13:30:13.666	165MIH4A	7SCAN	NORM.174.214998,	Check S/P Position	2R5	4	1	4,124,663:90:0	
1436	97	253	13:31:03.666		DMS:	:*E4-DELAY	RDY, TRACK *1, FWD, TIC 5809.94 +/-	2R5	4	1	4,124,664:74:0	
1437	97	253	13:31:03.666	175LT422A6A	6DMSC	R7.3	DMS Control	2R5	4	1	4,124,664:74:0	
1438	97	253	13:31:05.666	117MH	CSMOS	GS	***** GROUP START CSMOS	2R5	4	1	4,124,664:77:0	
1439	97	253	13:31:10.333		DMS:	:*RUNUP	R7, TRACK *3, FWD, TIC 5809.94 +/-	2R5	4	1	4,124,664:84:0	
1440	97	253	13:31:11.666	175LT176A6A	6TMREC	LPU	7.68 KBPS NIMS-UVS-PPR RECORD Record Mode	2R5	4	1	4,124,664:86:0	
1441	97	253	13:31:11.733		DMS:	:*AT SPD	R7, TRACK 3, FWD, TIC 5810.06 +/-	2R5	4	1	4,124,664:86:1	
1442	97	253	13:31:11.733		DMS:	:*RECORD	R7, TRACK 3, FWD, TIC *5810.06 +/-	2R5	4	1	4,124,664:86:1	
1443	97	253	13:31:15.000	C9JNSOU14501-	NIMPBK	301KQ	JUPITER SOUTH HEMISPHERE 145 DEG	2R5	4	1	::	
1444	97	253	13:31:15.000	117MH105A106A4A	7STRP	-0.006,0.0,0.0,0.0	Slew =,-0.11	2R5	4	1	4,124,665:00:0	
1445	97	253	13:32:05.000	C9JNSOU14501-	DESELC	300KQ	JUPITER SOUTH HEMISPHERE 145 DEG	2R5	4	1	::	
1446	97	253	13:32:07.000	175LT422A6B	6DMSC	RDY.0	DMS Control Tape stop	2R5	4	1	4,124,665:78:0	
1447	97	253	13:32:07.000		DMS:	:*RUNDOWN	R7, TRACK 3, FWD, TIC *5823.01 +/-	2R5	4	1	4,124,665:78:0	
1448	97	253	13:32:08.200	175LT6A	6TMREC	NRC	NO RECORD Record Mode Change	2R5	4	1	4,124,665:78:0	
1449	97	253	13:32:08.200		DMS:	:*READY	RDY, TRACK 3, FWD, TIC *5823.07 +/-	2R5	4	1	4,124,665:79:8	
1450	97	253	13:32:15.666	117MH11A	CSMOS	GE	***** GROUP END CSMOS	2R5	4	1	4,124,666:00:0	
1451	97	253	13:33:20.333	C9JNSOU14501-		-----STOP-----		2R5	4	1	::	
1452	97	253	13:33:20.333	C9JNNOR14501-		-----START-----		2R5	4	1	::	
1453	97	253	13:33:24.333	165LZ4A	7SCAN	NORM.174.657999,	Check S/P Position	2R5	4	1	4,124,667:12:0	
1454	97	253	13:36:07.000		DMS:	:*E4-DELAY	RDY, TRACK *1, FWD, TIC 5823.07 +/-	2R5	4	1	4,124,669:74:0	
1455	97	253	13:36:07.000	175LX422A6A	6DMSC	R7.3	DMS Control	2R5	4	1	4,124,669:74:0	
1456	97	253	13:36:09.000	117LZ	CSMOS	GS	***** GROUP START CSMOS	2R5	4	1	4,124,669:77:0	
1457	97	253	13:36:13.666		DMS:	:*RUNUP	R7, TRACK *3, FWD, TIC 5823.07 +/-	2R5	4	1	4,124,669:84:0	
1458	97	253	13:36:15.000	175LX176A6A	6TMREC	LPU	7.68 KBPS NIMS-UVS-PPR RECORD Record Mode	2R5	4	1	4,124,669:86:0	
1459	97	253	13:36:15.066		DMS:	:*RECORD	R7, TRACK 3, FWD, TIC *5823.19 +/-	2R5	4	1	4,124,669:86:1	
1460	97	253	13:36:15.066		DMS:	:*AT SPD	R7, TRACK 3, FWD, TIC 5823.19 +/-	2R5	4	1	4,124,669:86:1	
1461	97	253	13:36:18.333	C9JNNOR14501-	NIMPBK	301KR	JUPITER NORTH HEMISPHERE 145 DEG	2R5	4	1	::	
1462	97	253	13:36:18.333	117LZ105A106A4A	7STRP	-0.006,0.0,0.0,0.0	Slew =,0.11	2R5	4	1	4,124,670:00:0	
1463	97	253	13:37:08.333	C9JNNOR14501-	DESELC	300KR	JUPITER NORTH HEMISPHERE 145 DEG	2R5	4	1	::	
1464	97	253	13:37:10.333	175LX6A	6TMREC	NRC	NO RECORD Record Mode Change	2R5	4	1	4,124,670:78:0	
1465	97	253	13:37:10.333		DMS:	:*RUNDOWN	R7, TRACK 3, FWD, TIC *5836.15 +/-	2R5	4	1	4,124,670:78:0	
1466	97	253	13:37:10.333	175LX422A6B	6DMSC	RDY.0	DMS Control Tape stop	2R5	4	1	4,124,670:78:0	
1467	97	253	13:37:11.533		DMS:	:*READY	RDY, TRACK 3, FWD, TIC *5836.21 +/-	2R5	4	1	4,124,670:78:8	
1468	97	253	13:37:19.000	117LZ11A	CSMOS	GE	***** GROUP END CSMOS	2R5	4	1	4,124,671:00:0	
1469	97	253	13:38:23.666	C9JNNOR14501-		-----STOP-----		2R5	4	1	::	
1470	97	253	13:38:23.666	C9JNEQU14501-		-----START-----		2R5	4	1	::	
1471	97	253	13:39:19.666	165MA4A	7SCAN	NORM.174.325998,	Check S/P Position	2R5	4	1	4,124,672:90:0	
1472	97	253	13:42:11.000		DMS:	:*E4-DELAY	RDY, TRACK *1, FWD, TIC 5836.21 +/-	2R5	4	1	4,124,675:74:0	
1473	97	253	13:42:11.000	175LX422A6A	6DMSC	R7.3	DMS Control	2R5	4	1	4,124,675:74:0	
1474	97	253	13:42:13.000	117MA	CSMOS	GS	***** GROUP START CSMOS	2R5	4	1	4,124,675:77:0	
1475	97	253	13:42:17.666		DMS:	:*RUNUP	R7, TRACK *3, FWD, TIC 5836.21 +/-	2R5	4	1	4,124,675:84:0	
1476	97	253	13:42:19.000	175LX176A6A	6TMREC	LPU	7.68 KBPS NIMS-UVS-PPR RECORD Record Mode	2R5	4	1	4,124,675:86:0	
1477	97	253	13:42:19.066		DMS:	:*AT SPD	R7, TRACK 3, FWD, TIC 5836.33 +/-	2R5	4	1	4,124,675:86:1	
1478	97	253	13:42:19.066		DMS:	:*RECORD	R7, TRACK 3, FWD, TIC *5836.33 +/-	2R5	4	1	4,124,675:86:1	
1479	97	253	13:42:22.333	117MA105A106A4A	7STRP	-0.006,0.0,0.0,0.0	Slew =,-0.11	2R5	4	1	4,124,676:00:0	
1480	97	253	13:42:22.333	C9JNEQU14501-	NIMPBK	301KS	JUPITER EQUATORIAL 145 DEGREES P	2R5	4	1	::	
1481	97	253	13:43:10.333	C9JNEQU14501-	DESELC	300KS	JUPITER EQUATORIAL 145 DEGREES P	2R5	4	1	::	
1482	97	253	13:43:14.333		DMS:	:*RUNDOWN	R7, TRACK 3, FWD, TIC *5849.28 +/-	2R5	4	1	4,124,676:78:0	
1483	97	253	13:43:14.333	175LY6A	6TMREC	NRC	NO RECORD Record Mode Change	2R5	4	1	4,124,676:78:0	

Line	YR	DOY	SCET - GMT	PSID	Command	Parameters	Description	GCM	GO	GS	RIM	MFI
1484	97	253	13:43:14.333	175LY422A6B	6DMSC	RDY,0	DMS Control Tape stop	2R5	4	1	4,124,676:78:0	
1485	97	253	13:43:15.533		DMS:	:*READY	RDY, TRACK 3, FWD, TIC *5849.34 +/-	2R5	4	1	4,124,676:79:8	
1486	97	253	13:43:23.000	117MA11A	CSMOS	GE	***** GROUP END CSMOS	2R5	4	1	4,124,677:00:0	
1487	97	253	13:43:26.999	C9JNEQU14501-		-----STOP-----		2R5	4	1	:	
1488	97	253	13:45:00.333	41SX99A	POWER	PWR MODE change	Change to Maneuver/Playback Mode	2R5	4	1	4,124,678:55:0	
1489	97	253	13:46:54.333	41SX3G	40T1P		1 PCT Heater 1 ON (primary relay)	2R5	4	1	4,124,680:44:0	
1490	97	253	13:47:04.333	41SX3H	40T1P		2 PCT Heater 1 ON (primary relay)	2R5	4	1	4,124,680:59:0	
1491	97	253	13:47:14.333	41SX3I	40T2		1 PCT Heater 2 ON	2R5	4	1	4,124,680:74:0	
1492	97	253	13:47:24.333	41SX3J	40T2		2 PCT Heater 2 ON	2R5	4	1	4,124,680:89:0	
1493	97	253	13:47:29.666	C9NNCHOPOF05-		-----START-----		2R5	4	1	:	
1494	97	253	13:48:21.666	127FW4A	37IOP	0,0	Safe, Grating Start Position =00	2R0	4	0	4,124,681:84:0	
1495	97	253	13:48:21.666	127FW	NIMSTAB	GS	%%%%GROUP START TAB	2R0	4	0	4,124,681:84:0	
1496	97	253	13:48:22.333	127FW4B	37ETB	04,C4,02,00,00	Loads wavelength edit table	2R0	4	0	4,124,681:85:0	
1497	97	253	13:48:30.333	127FW11A	NIMSTAB	GE	%%%%GROUP END TAB	2R0	4	0	4,124,682:06:0	
1498	97	253	13:52:24.333	125FW4A	37MB	0,0,0,0,0,0	Selects mirror (spatial) edit table	2R0	4	0	4,124,685:84:0	
1499	97	253	13:52:24.333	125FW	NIMSINIT	GS	##### GROUP START INIT	2R0	4	0	4,124,685:84:0	
1500	97	253	13:53:25.000	125FW4B	37IST	1,0,0,0,OFF,0,0,0	Chopper ON, Sync, 63Hz (Ref)	260	4	0	4,124,686:84:0	
1501	97	253	13:54:25.666	125FW11A	NIMSINIT	GE	##### GROUP END INIT	260	4	0	4,124,687:84:0	
1502	97	253	13:54:25.666	125FW4C	37IST	1,1,0,OFF,0,0,0	Chopper OFF, N/A, 63Hz (Ref)	200	4	0	4,124,687:84:0	
1503	97	253	13:55:02.333	490UE412A4B	7MODE	INT	AACS INERTIAL MODE	200	4	0	4,124,688:48:0	
1504	97	253	13:58:36.999	C9NNCHOPOF05-		-----STOP-----		200	4	0	:	
1505	97	253	14:00:00.333	490UE412A4D	7SAFE	UNSTOW	SIP TO 153 deg cone	200	4	0	4,124,693:40:0	
1506	97	253	14:04:10.333	490UE412A4E	7VECT	RTH	Inert vect update UTC	200	4	0	4,124,697:51:0	
1507	97	253	14:04:14.333	490UE412A4F	7TURN	2,RTH	ALERT Thruster	200	4	0	4,124,697:57:0	
1508	97	253	14:08:02.333	490UE412A406A4A	7STAR	1,3000,95.710999	Star catalog update	200	4	0	4,124,701:35:0	
1509	97	253	14:08:04.333	490UE412A406A4B	7STAR	2,111,257.16	Star catalog update	200	4	0	4,124,701:38:0	
1510	97	253	14:08:06.333	490UE412A406A4C	7STAR	3,138,199.44	Star catalog update	200	4	0	4,124,701:41:0	
1511	97	253	14:08:08.333	490UE412A406A4D	7STAR	4,0,0,0,0,0,0	Star catalog update	200	4	0	4,124,701:44:0	
1512	97	253	14:08:10.333	490UE412A406A4E	7STAR	5,0,0,0,0,0,0	Star catalog update	200	4	0	4,124,701:47:0	
1513	97	253	14:08:12.333	490UE412A406A4F	7STAR	6,0,0,0,0,0,0	Star catalog update	200	4	0	4,124,701:50:0	
1514	97	253	14:47:31.666	488EL6A	6TMSED	FILL,AL4	Sci, Eng, and D/L Chan	200	4	0	4,124,740:40:0	
1515	97	253	14:55:30.333	488EL6B	6TMSED	FILL,AL8	Sci, Eng, and D/L Chan	200	4	0	4,124,748:30:0	
1516	97	253	14:57:10.333	488EL6C	6TMSED	NORM,AL8	Sci, Eng, and D/L Chan	200	4	0	4,124,749:89:0	
1517	97	253	15:27:30.333	488EL6D	6TMSED	NORM,AL7	Sci, Eng, and D/L Chan	200	4	0	4,124,779:89:0	
1518	97	253	15:34:06.333	20UY4B	7STAR	1,3000,95.7111,-5	Star catalog update	200	4	0	4,124,786:46:0	
1519	97	253	15:34:08.333	20UY4C	7STAR	2,98,27.694,63.4	Star catalog update	200	4	0	4,124,786:49:0	
1520	97	253	15:34:10.333	20UY4D	7STAR	3,111,257.158,65	Star catalog update	200	4	0	4,124,786:52:0	
1521	97	253	15:34:12.333	20UY4E	7STAR	4,138,199.439,-3	Star catalog update	200	4	0	4,124,786:55:0	
1522	97	253	15:34:14.333	20UY4F	7STAR	5,0,0,0,0,0,0	Star catalog update	200	4	0	4,124,786:58:0	
1523	97	253	15:34:16.333	20UY4G	7STAR	6,0,0,0,0,0,0	Star catalog update	200	4	0	4,124,786:61:0	
1524	97	253	15:50:13.000	490UE412A4L	7MODE	CRU	AACS CRUISE MODE	200	4	0	4,124,802:40:0	
1525	97	253	15:58:59.666	432OW431A6A	6RCDSL	DDSNCG,PLSNCG,EP	Record Deselect (DDS o	200	4	0	4,124,811:11:0	
1526	97	253	15:59:00.333	432OW6A	6RTSL1		RT Select of DDS and	200	4	0	4,124,811:12:0	
1527	97	253	16:12:04.333	20A4A	7SAFE	STOP	SIP NO MOVEMENT	200	4	0	4,124,824:05:0	
1528	97	253	16:12:54.333	20A4B	7SLEW	DIS,POS,0,0	Stator movement	200	4	0	4,124,824:80:0	
1529	97	253	16:14:02.333	176SX6A	6TMREC	RPB	RESUME PLAYBACK (PB CONTROL) Record Mode	200	4	0	4,124,826:00:0	
1530	97	253	16:42:10.333	488EL6E	6TMSED	NORM,AL6	Sci, Eng, and D/L Chan	200	4	0	4,124,853:75:0	
1531	97	253	17:04:51.000	488EM6A	6TMSED	FILL,AL6	Sci, Eng, and D/L Chan	200	4	0	4,124,876:23:0	
1532	97	253	17:07:46.333	488EM6B	6TMSED	FILL,AL4	Sci, Eng, and D/L Chan	200	4	0	4,124,879:13:0	
1533	97	253	17:15:15.666	488EM6C	6TMSED	NORM,AL4	Sci, Eng, and D/L Chan	200	4	0	4,124,886:50:0	
1534	97	253	17:50:26.333	488EM6D	6TMSED	NORM,AL5	Sci, Eng, and D/L Chan	200	4	0	4,124,921:31:0	
1535	97	253	18:39:31.666	488EM6E	6TMSED	FILL,AL5	Sci, Eng, and D/L Chan	200	4	0	4,124,969:81:0	
1536	97	253	19:08:37.666	488EN6A	6TMSED	NORM,AL5	Sci, Eng, and D/L Chan	200	4	0	4,124,998:61:0	
1537	97	253	20:11:14.333	488EN6B	6TMSED	NORM,AL6	Sci, Eng, and D/L Chan	200	4	0	4,125,060:54:0	
1538	97	253	22:42:42.266	488EN6C	6TMSED	NORM,AL5	Sci, Eng, and D/L Chan	200	4	0	4,125,210:36:0	

Line	YR	DOY	SCET - GMT	PSID	Command	Parameters	Description	GCM	GO	GS	RIM	MFI
1539	97	254	01:54:32.266	488EO6A	6TMSED	FILL,AL5	Sci, Eng, and D/L Chan	200	4	0	4,125,400:11:0	
1540	97	254	02:16:02.266	488EO6B	6TMSED	FILL,AL6	Sci, Eng, and D/L Chan	200	4	0	4,125,421:35:0	
1541	97	254	02:25:34.266	488EO6C	6TMSED	NORM,AL6	Sci, Eng, and D/L Chan	200	4	0	4,125,430:74:0	
1542	97	254	05:29:46.933	176JA6A	6TMREC	PPB	PAUSE PLAYBACK (PB CONTROL) Record Mode C	200	4	0	4,125,613:00:0	
1543	97	254	07:08:18.266	488EO6D	6TMSED	NORM,AL5	Sci, Eng, and D/L Chan	200	4	0	4,125,710:40:0	
1544	97	254	09:09:20.266	488EP6A	6TMSED	FILL,AL5	Sci, Eng, and D/L Chan	200	4	0	4,125,830:13:0	
1545	97	254	09:16:18.266	488EP6B	6TMSED	FILL,AL6	Sci, Eng, and D/L Chan	200	4	0	4,125,837:03:0	
1546	97	254	13:57:04.266	20UP4A	7SAFE	STOP	SIP NO MOVEMENT	200	4	0	4,126,114:65:0	
1547	97	254	13:57:54.266	20UP4B	7SLEW	DIS,POS,0.0	Stator movement	200	4	0	4,126,115:49:0	
1548	97	254	13:59:22.933	176JB6A	6TMREC	PPB	RESUME PLAYBACK (PB CONTROL) Record Mode	200	4	0	4,126,117:00:0	
1549	97	254	19:57:18.933	176BU6A	6TMREC	PPB	PAUSE PLAYBACK (PB CONTROL) Record Mode C	200	4	0	4,126,471:00:0	
1550	97	254	20:00:20.266	165BV4A	7SCAN	NORM,312.362,-20	Check S/P Position	200	4	0	4,126,473:90:0	
1551	97	254	20:04:24.933	20UF4A	7SAFE	STOP	SIP NO MOVEMENT	200	4	0	4,126,478:02:0	
1552	97	254	20:05:14.933	20UF4B	7SLEW	DIS,POS,0.0	Stator movement	200	4	0	4,126,478:77:0	
1553	97	254	20:06:24.933	176BV6A	6TMREC	RPB	RESUME PLAYBACK (PB CONTROL) Record Mode	200	4	0	4,126,480:00:0	
1554	97	254	20:52:30.933	488EQ6A	6TMSED	NORM,AL6	Sci, Eng, and D/L Chan	200	4	0	4,126,525:54:0	
1555	97	254	23:00:00.266	418JG6A	6BUFLO		2 MUB Buffer low water m	200	4	0	4,126,651:62:0	
1556	97	254	23:00:00.266	418JG6B	6BUFHI		4 MUB Buffer high water	200	4	0	4,126,651:62:0	
1557	97	255	00:27:14.266	488EQ6B	6TMSED	NORM,AL5	Sci, Eng, and D/L Chan	200	4	0	4,126,737:87:0	
1558	97	255	00:44:18.266	488EQ6C	6TMSED	FILL,AL5	Sci, Eng, and D/L Chan	200	4	0	4,126,754:76:0	
1559	97	255	00:50:42.266	488EQ6D	6TMSED	FILL,AL6	Sci, Eng, and D/L Chan	200	4	0	4,126,761:15:0	
1560	97	255	04:32:30.200	488ER6A	6TMSED	NORM,AL6	Sci, Eng, and D/L Chan	200	4	0	4,126,980:48:0	
1561	97	255	06:00:00.200	418JH6A	6BUFLO		2 MUB Buffer low water m	200	4	0	4,127,067:06:0	
1562	97	255	06:00:00.200	418JH6B	6BUFHI		10 MUB Buffer high water	200	4	0	4,127,067:06:0	
1563	97	255	08:21:16.866	488ER6B	6TMSED	FILL,AL6	Sci, Eng, and D/L Chan	200	4	0	4,127,206:72:0	
1564	97	255	08:25:06.200	488ER6C	6TMSED	FILL,AL8	Sci, Eng, and D/L Chan	200	4	0	4,127,210:52:0	
1565	97	255	08:26:46.200	488ER6D	6TMSED	NORM,AL8	Sci, Eng, and D/L Chan	200	4	0	4,127,212:20:0	
1566	97	255	15:23:14.200	488ES6A	6TMSED	NORM,AL7	Sci, Eng, and D/L Chan	200	4	0	4,127,624:10:0	
1567	97	255	16:33:38.200	488ES6B	6TMSED	NORM,AL6	Sci, Eng, and D/L Chan	200	4	0	4,127,693:67:0	
1568	97	255	17:03:30.200	488ES6C	6TMSED	NORM,AL4	Sci, Eng, and D/L Chan	200	4	0	4,127,723:25:0	
1569	97	255	17:11:28.866	488ES6D	6TMSED	FILL,AL4	Sci, Eng, and D/L Chan	200	4	0	4,127,731:15:0	
1570	97	255	17:25:09.533	488ES6E	6TMSED	NORM,AL4	Sci, Eng, and D/L Chan	200	4	0	4,127,744:63:0	
1571	97	255	17:46:10.200	488ET6A	6TMSED	NORM,AL5	Sci, Eng, and D/L Chan	200	4	0	4,127,765:43:0	
1572	97	255	18:34:37.533	488ET6B	6TMSED	FILL,AL5	Sci, Eng, and D/L Chan	200	4	0	4,127,813:36:0	
1573	97	255	19:03:43.533	488ET6C	6TMSED	NORM,AL5	Sci, Eng, and D/L Chan	200	4	0	4,127,842:16:0	
1574	97	255	20:21:54.200	488ET6D	6TMSED	NORM,AL6	Sci, Eng, and D/L Chan	200	4	0	4,127,919:45:0	
1575	97	255	22:12:50.200	488ET6E	6TMSED	NORM,AL5	Sci, Eng, and D/L Chan	200	4	0	4,128,029:19:0	
1576	97	256	01:44:38.200	488EU6A	6TMSED	FILL,AL5	Sci, Eng, and D/L Chan	200	4	0	4,128,238:62:0	
1577	97	256	02:05:22.200	488EU6B	6TMSED	FILL,AL6	Sci, Eng, and D/L Chan	200	4	0	4,128,259:17:0	
1578	97	256	02:15:28.866	488EU6C	6TMSED	NORM,AL6	Sci, Eng, and D/L Chan	200	4	0	4,128,269:17:0	
1579	97	256	05:11:24.866	488EU6D	6TMSED	FILL,AL6	Sci, Eng, and D/L Chan	200	4	0	4,128,443:17:0	
1580	97	256	05:15:14.200	488EU6E	6TMSED	FILL,AL8	Sci, Eng, and D/L Chan	200	4	0	4,128,446:88:0	
1581	97	256	05:16:54.200	488EV6A	6TMSED	NORM,AL8	Sci, Eng, and D/L Chan	200	4	0	4,128,448:56:0	
1582	97	256	09:58:07.533	488EV6B	6TMSED	FILL,AL8	Sci, Eng, and D/L Chan	200	4	0	4,128,726:68:0	
1583	97	256	10:21:32.133	488EW6C	6TMSED	NORM,AL8	Sci, Eng, and D/L Chan	200	4	0	4,128,749:82:0	
1584	97	256	15:12:34.133	488EW6A	6TMSED	NORM,AL7	Sci, Eng, and D/L Chan	200	4	0	4,129,037:67:0	
1585	97	256	16:27:14.133	488EW6B	6TMSED	NORM,AL6	Sci, Eng, and D/L Chan	200	4	0	4,129,111:53:0	
1586	97	256	17:03:30.133	488EW6C	6TMSED	NORM,AL4	Sci, Eng, and D/L Chan	200	4	0	4,129,147:41:0	
1587	97	256	17:06:27.466	488EW6D	6TMSED	FILL,AL4	Sci, Eng, and D/L Chan	200	4	0	4,129,150:34:0	
1588	97	256	17:25:06.133	488EW6E	6TMSED	NORM,AL4	Sci, Eng, and D/L Chan	200	4	0	4,129,168:74:0	
1589	97	256	17:39:46.133	488EX6A	6TMSED	NORM,AL5	Sci, Eng, and D/L Chan	200	4	0	4,129,183:29:0	
1590	97	256	18:34:40.800	488EX6B	6TMSED	FILL,AL5	Sci, Eng, and D/L Chan	200	4	0	4,129,237:57:0	
1591	97	256	19:03:46.800	488EX6C	6TMSED	NORM,AL5	Sci, Eng, and D/L Chan	200	4	0	4,129,266:37:0	
1592	97	256	20:41:06.133	488EX6D	6TMSED	NORM,AL6	Sci, Eng, and D/L Chan	200	4	0	4,129,362:60:0	
1593	97	256	21:42:58.133	488EX6E	6TMSED	NORM,AL5	Sci, Eng, and D/L Chan	200	4	0	4,129,423:77:0	

Line	YR	DOY	SCET - GMT	PSID	Command	Parameters	Description	GCM	GO	GS	RIM	MFI
1594	97	256	22:29:38.133	176SY6A	6TMREC	TPB	TERMINATE PLAYBACK (PB CONTROL) Record Mo	200	4	0	4,129,470:00:0	
1595	97	256	23:13:12.133	20BB4A	7SAFE	UNSTOW	S/P TO 153 deg cone	200	4	0	4,129,513:08:0	
1596	97	257	00:00:00.000	20A3FF	40T2	Final Condition	PCT Heater 2 ON	200	4	0	4,129,559:33:8	
1597	97	257	00:00:00.000	20A3EW	37A	Final Condition	NIMS Power ON	200	4	0	4,129,559:33:8	
1598	97	257	00:00:00.000	20A3EX	37HR	Final Condition	Replacement Heaters OFF	200	4	0	4,129,559:33:8	
1599	97	257	00:00:00.000	20A3EY	37C1PR	Final Condition	Optics Heater 1 OFF (primary relay)	200	4	0	4,129,559:33:8	
1600	97	257	00:00:00.000	20A3EZ	37C2PR	Final Condition	Optics Heater 2 OFF (primary relay)	200	4	0	4,129,559:33:8	
1601	97	257	00:00:00.000	20A3FA	37F1PR	Final Condition	Radiator Flash Heater OFF (primary relay)	200	4	0	4,129,559:33:8	
1602	97	257	00:00:00.000	20A3FB	37F2PR	Final Condition	Shield Flash Heater OFF (primary relay)	200	4	0	4,129,559:33:8	
1603	97	257	00:00:00.000	20A3FD	40HRPR	Final Condition	RCT Heater OFF (primary relay)	200	4	0	4,129,559:33:8	
1604	97	257	00:00:00.000	20A3FE	40T1P	Final Condition	PCT Heater 1 ON (primary relay)	200	4	0	4,129,559:33:8	
1605	97	257	00:00:00.133		DMS:	: READY	RDY, TRACK 3, FWD, TIC 5849.34 +/-	200	4	0	4,129,559:34:0	

C9CNGLOBAL01

```

OAPEL: C9CNGLOBAL01      ALIAS: C9CNGLOBAL01
EXT: A                    PSID: DC
SCLK1: 04014583:00:0     SCLK2: 04014615:89:0
SCET1: 97-176/06:26:12.266 SCET2: 97-176/06:59:32.933
TARGET: CALLISTO        PARTITION: 1
  
```

```

MODE: 3                   GAIN: 4
CHOP: 1                   GRAT_OFF: 4
PTAB_A: 1 1 0 0 124      PTAB_B: 1 1 0 0 124
ECAL: 0                   OPCAL: 0
R/T: 0                    RECORD: 1
  
```

```

MB_DOWN: 00000           MB_UP: 00000
COMP_FLAG: 1
EST_COMP: 2.0            EST_COMPV: 0.3
RATE_CON1: 00000        RATE_CON2: 65525
NWAVETOT: 228           TLMFMT: LPU
  
```

```

THRESHOLD_SEL: 2
THRESHOLD_VALUES: 030, 030, 030, 000, 030, 029, 028, 028, 029
                  028, 032, 034, 031, 031, 032, 030, 029
  
```

```

WETGID: 0326228001      03 26 228 001
WTGRP_SIZ: 26
  
```

EDIT TABLE

GRATING STEP	HEX MASK	DETECTOR MASK
0	000F0	0,0000,0000,1111,0000
1	1BDFF	1,1011,1101,1111,1111
2	000F0	0,0000,0000,1111,0000
3	1BDFF	1,1011,1101,1111,1111
4	000F0	0,0000,0000,1111,0000
5	1BDFF	1,1011,1101,1111,1111
6	000F0	0,0000,0000,1111,0000
7	1BDFF	1,1011,1101,1111,1111
8	000F0	0,0000,0000,1111,0000
9	1BDFF	1,1011,1101,1111,1111
10	000F0	0,0000,0000,1111,0000
11	1BDFF	1,1011,1101,1111,1111
12	000F0	0,0000,0000,1111,0000
13	1BDFF	1,1011,1101,1111,1111
14	000F0	0,0000,0000,1111,0000
15	1BDFF	1,1011,1101,1111,1111
16	000F0	0,0000,0000,1111,0000
17	1BDFF	1,1011,1101,1111,1111
18	000F0	0,0000,0000,1111,0000
19	1BDFF	1,1011,1101,1111,1111
20	000F0	0,0000,0000,1111,0000
21	1BDFF	1,1011,1101,1111,1111
22	000F0	0,0000,0000,1111,0000
23	1BDFF	1,1011,1101,1111,1111
24	00000	0,0000,0000,0000,0000
25	00000	0,0000,0000,0000,0000

C9CNANARR_01

```

OAPEL: C9CNANARR_01      ALIAS: C9CNANARR_01
EXT: A                    PSID: DD
SCLK1: 04015031:00:0     SCLK2: 04015040:80:0
SCET1: 97-176/13:59:10.933 SCET2: 97-176/14:09:10.933
TARGET: CALLISTO        PARTITION: 1
  
```

```

MODE: 3                   GAIN: 4
CHOP: 1                   GRAT_OFF: 4
PTAB_A: 1 1 0 0 124     PTAB_B: 1 1 0 0 124
ECAL: 0                   OPCAL: 0
R/T: 0                    RECORD: 1
  
```

```

MB_DOWN: 00000           MB_UP: 00000
COMP_FLAG: 1
EST_COMP: 2.0           EST_COMPV: 0.3
RATE_CON1: 00000       RATE_CON2: 65525
NWAVETOT: 360          TLMFMT: MPW
  
```

```

THRESHOLD_SEL: 0
THRESHOLD_VALUES: 000, 000, 000, 000, 000, 000, 000, 000, 000, 000
                  000, 000, 000, 000, 000, 000, 000, 000, 000
  
```

```

WETGID: 0326360001      03 26 360 001
WTGRP_SIZ: 26
  
```

EDIT TABLE

GRATING STEP	HEX MASK	DETECTOR MASK
0	1BDFF	1,1011,1101,1111,1111
1	1BDFF	1,1011,1101,1111,1111
2	1BDFF	1,1011,1101,1111,1111
3	1BDFF	1,1011,1101,1111,1111
4	1BDFF	1,1011,1101,1111,1111
5	1BDFF	1,1011,1101,1111,1111
6	1BDFF	1,1011,1101,1111,1111
7	1BDFF	1,1011,1101,1111,1111
8	1BDFF	1,1011,1101,1111,1111
9	1BDFF	1,1011,1101,1111,1111
10	1BDFF	1,1011,1101,1111,1111
11	1BDFF	1,1011,1101,1111,1111
12	1BDFF	1,1011,1101,1111,1111
13	1BDFF	1,1011,1101,1111,1111
14	1BDFF	1,1011,1101,1111,1111
15	1BDFF	1,1011,1101,1111,1111
16	1BDFF	1,1011,1101,1111,1111
17	1BDFF	1,1011,1101,1111,1111
18	1BDFF	1,1011,1101,1111,1111
19	1BDFF	1,1011,1101,1111,1111
20	1BDFF	1,1011,1101,1111,1111
21	1BDFF	1,1011,1101,1111,1111
22	1BDFF	1,1011,1101,1111,1111
23	1BDFF	1,1011,1101,1111,1111
24	00000	0,0000,0000,0000,0000
25	00000	0,0000,0000,0000,0000

C9CNSKULD_01

```

OAPEL:  C9CNSKULD_01          ALIAS:  C9CNSKULD_01
EXT:    A                     PSID:    DE
SCLK1:  04015061:00:0        SCLK2:  04015070:81:0
SCET1:  97-176/14:29:30.933  SCET2:  97-176/14:39:30.933
TARGET: CALLISTO             PARTITION: 1
  
```

```

MODE:    3                     GAIN:    4
CHOP:    1                     GRAT_OFF: 4
PTAB_A:  1 1 0 0 124          PTAB_B:  1 1 0 0 124
ECAL:    0                     OPCAL:   0
R/T:     0                     RECORD:   1
  
```

```

MB_DOWN: 00000                MB_UP:   00000
COMP_FLAG: 1                  EST_COMPV: 0.3
EST_COMP: 2.0                RATE_CON2: 65525
RATE_CON1: 00000            TLMFMT:  LPU
NWAVETOT: 228
  
```

```

THRESHOLD_SEL: 0
THRESHOLD_VALUES: 000, 000, 000, 000, 000, 000, 000, 000, 000, 000
                  000, 000, 000, 000, 000, 000, 000, 000, 000
  
```

```

WETGID:  0326228001          03  26  228  001
WTGRP_SIZ: 26
  
```

EDIT TABLE

GRATING STEP	HEX MASK	DETECTOR MASK
0	000F0	0,0000,0000,1111,0000
1	1BDFF	1,1011,1101,1111,1111
2	000F0	0,0000,0000,1111,0000
3	1BDFF	1,1011,1101,1111,1111
4	000F0	0,0000,0000,1111,0000
5	1BDFF	1,1011,1101,1111,1111
6	000F0	0,0000,0000,1111,0000
7	1BDFF	1,1011,1101,1111,1111
8	000F0	0,0000,0000,1111,0000
9	1BDFF	1,1011,1101,1111,1111
10	000F0	0,0000,0000,1111,0000
11	1BDFF	1,1011,1101,1111,1111
12	000F0	0,0000,0000,1111,0000
13	1BDFF	1,1011,1101,1111,1111
14	000F0	0,0000,0000,1111,0000
15	1BDFF	1,1011,1101,1111,1111
16	000F0	0,0000,0000,1111,0000
17	1BDFF	1,1011,1101,1111,1111
18	000F0	0,0000,0000,1111,0000
19	1BDFF	1,1011,1101,1111,1111
20	000F0	0,0000,0000,1111,0000
21	1BDFF	1,1011,1101,1111,1111
22	000F0	0,0000,0000,1111,0000
23	1BDFF	1,1011,1101,1111,1111
24	00000	0,0000,0000,0000,0000
25	00000	0,0000,0000,0000,0000

C9CNNOLAT_01

```

OAPEL: C9CNNOLAT_01      ALIAS: C9CNNOLAT_01
EXT: A                    PSID: DF
SCLK1: 04015089:00:0     SCLK2: 04015099:50:0
SCET1: 97-176/14:57:49.600 SCET2: 97-176/15:08:29.600
TARGET: CALLISTO        PARTITION: 1
  
```

```

MODE: 3                  GAIN: 4
CHOP: 1                  GRAT_OFF: 4
PTAB_A: 1 1 0 0 124     PTAB_B: 1 1 0 0 124
ECAL: 0                  OPCAL: 0
R/T: 0                   RECORD: 1
  
```

```

MB_DOWN: 00000          MB_UP: 00000
COMP_FLAG: 1
EST_COMP: 2.0           EST_COMPV: 0.3
RATE_CON1: 00000       RATE_CON2: 65525
NWAVETOT: 228          TLMFMT: LPU
  
```

```

THRESHOLD_SEL: 2
THRESHOLD_VALUES: 030, 030, 030, 000, 030, 029, 028, 028, 029
                  028, 032, 034, 031, 031, 032, 030, 029
  
```

```

WETGID: 0326228001      03 26 228 001
WTGRP_SIZ: 26
  
```

EDIT TABLE

GRATING STEP	HEX MASK	DETECTOR MASK
0	000F0	0,0000,0000,1111,0000
1	1BDFF	1,1011,1101,1111,1111
2	000F0	0,0000,0000,1111,0000
3	1BDFF	1,1011,1101,1111,1111
4	000F0	0,0000,0000,1111,0000
5	1BDFF	1,1011,1101,1111,1111
6	000F0	0,0000,0000,1111,0000
7	1BDFF	1,1011,1101,1111,1111
8	000F0	0,0000,0000,1111,0000
9	1BDFF	1,1011,1101,1111,1111
10	000F0	0,0000,0000,1111,0000
11	1BDFF	1,1011,1101,1111,1111
12	000F0	0,0000,0000,1111,0000
13	1BDFF	1,1011,1101,1111,1111
14	000F0	0,0000,0000,1111,0000
15	1BDFF	1,1011,1101,1111,1111
16	000F0	0,0000,0000,1111,0000
17	1BDFF	1,1011,1101,1111,1111
18	000F0	0,0000,0000,1111,0000
19	1BDFF	1,1011,1101,1111,1111
20	000F0	0,0000,0000,1111,0000
21	1BDFF	1,1011,1101,1111,1111
22	000F0	0,0000,0000,1111,0000
23	1BDFF	1,1011,1101,1111,1111
24	00000	0,0000,0000,0000,0000
25	00000	0,0000,0000,0000,0000

C9CNVALSPC01

```

OAPEL: C9CNVALSPC01      ALIAS: C9CNVALSPC01
EXT: A                    PSID: DG
SCLK1: 04015110:00:0     SCLK2: 04015116:54:0
SCET1: 97-176/15:19:03.600 SCET2: 97-176/15:25:43.600
TARGET: CALLISTO        PARTITION: 1
  
```

```

MODE: 3                  GAIN: 4
CHOP: 1                  GRAT_OFF: 4
PTAB_A: 1 1 0 0 124     PTAB_B: 1 1 0 0 124
ECAL: 0                  OPCAL: 0
R/T: 0                   RECORD: 1
  
```

```

MB_DOWN: 00000          MB_UP: 00000
COMP_FLAG: 1
EST_COMP: 2.0           EST_COMPV: 0.3
RATE_CON1: 00000       RATE_CON2: 65525
NWAVETOT: 228          TLMFMT: LPU
  
```

```

THRESHOLD_SEL: 0
THRESHOLD_VALUES: 000, 000, 000, 000, 000, 000, 000, 000, 000, 000
                  000, 000, 000, 000, 000, 000, 000, 000, 000
  
```

```

WETGID: 0326228001      03 26 228 001
WTGRP_SIZ: 26
  
```

EDIT TABLE

GRATING STEP	HEX MASK	DETECTOR MASK
0	000F0	0,0000,0000,1111,0000
1	1BDFF	1,1011,1101,1111,1111
2	000F0	0,0000,0000,1111,0000
3	1BDFF	1,1011,1101,1111,1111
4	000F0	0,0000,0000,1111,0000
5	1BDFF	1,1011,1101,1111,1111
6	000F0	0,0000,0000,1111,0000
7	1BDFF	1,1011,1101,1111,1111
8	000F0	0,0000,0000,1111,0000
9	1BDFF	1,1011,1101,1111,1111
10	000F0	0,0000,0000,1111,0000
11	1BDFF	1,1011,1101,1111,1111
12	000F0	0,0000,0000,1111,0000
13	1BDFF	1,1011,1101,1111,1111
14	000F0	0,0000,0000,1111,0000
15	1BDFF	1,1011,1101,1111,1111
16	000F0	0,0000,0000,1111,0000
17	1BDFF	1,1011,1101,1111,1111
18	000F0	0,0000,0000,1111,0000
19	1BDFF	1,1011,1101,1111,1111
20	000F0	0,0000,0000,1111,0000
21	1BDFF	1,1011,1101,1111,1111
22	000F0	0,0000,0000,1111,0000
23	1BDFF	1,1011,1101,1111,1111
24	00000	0,0000,0000,0000,0000
25	00000	0,0000,0000,0000,0000

C9CNVALHAL01

```

OAPEL: C9CNVALHAL01      ALIAS: C9CNVALHAL01
EXT: A                    PSID: DH
SCLK1: 04015261:00:0     SCLK2: 04015289:26:0
SCET1: 97-176/17:51:44.200 SCET2: 97-176/18:20:20.866
TARGET: CALLISTO        PARTITION: 1
  
```

```

MODE: 3                   GAIN: 4
CHOP: 1                   GRAT_OFF: 4
PTAB_A: 1 1 0 0 124     PTAB_B: 1 1 0 0 124
ECAL: 0                   OPCAL: 0
R/T: 0                    RECORD: 1
  
```

```

MB_DOWN: 00000           MB_UP: 00000
COMP_FLAG: 1
EST_COMP: 2.0           EST_COMPV: 0.3
RATE_CON1: 00000       RATE_CON2: 65525
NWAVETOT: 228          TLMFMT: LPU
  
```

```

THRESHOLD_SEL: 2
THRESHOLD_VALUES: 030, 030, 030, 000, 030, 029, 028, 028, 029
                  028, 032, 034, 031, 031, 032, 030, 029
  
```

```

WETGID: 0326228001      03 26 228 001
WTGRP_SIZ: 26
  
```

EDIT TABLE

GRATING STEP	HEX MASK	DETECTOR MASK
0	000F0	0,0000,0000,1111,0000
1	1BDFF	1,1011,1101,1111,1111
2	000F0	0,0000,0000,1111,0000
3	1BDFF	1,1011,1101,1111,1111
4	000F0	0,0000,0000,1111,0000
5	1BDFF	1,1011,1101,1111,1111
6	000F0	0,0000,0000,1111,0000
7	1BDFF	1,1011,1101,1111,1111
8	000F0	0,0000,0000,1111,0000
9	1BDFF	1,1011,1101,1111,1111
10	000F0	0,0000,0000,1111,0000
11	1BDFF	1,1011,1101,1111,1111
12	000F0	0,0000,0000,1111,0000
13	1BDFF	1,1011,1101,1111,1111
14	000F0	0,0000,0000,1111,0000
15	1BDFF	1,1011,1101,1111,1111
16	000F0	0,0000,0000,1111,0000
17	1BDFF	1,1011,1101,1111,1111
18	000F0	0,0000,0000,1111,0000
19	1BDFF	1,1011,1101,1111,1111
20	000F0	0,0000,0000,1111,0000
21	1BDFF	1,1011,1101,1111,1111
22	000F0	0,0000,0000,1111,0000
23	1BDFF	1,1011,1101,1111,1111
24	00000	0,0000,0000,0000,0000
25	00000	0,0000,0000,0000,0000

C9HNDARK__01

```

OAPEL:  C9HNDARK__01          ALIAS:  C9HNDARK__01
EXT:    A                     PSID:   DB
SCLK1:  04015294:00:0        SCLK2:  04015294:89:0
SCET1:  97-176/18:25:06.200  SCET2:  97-176/18:26:06.200
TARGET: SKY                   PARTITION: 1
    
```

```

MODE:    3                     GAIN:    4
CHOP:    1                     GRAT_OFF: 4
PTAB_A:  1 1 0 0 124          PTAB_B:  1 1 0 0 124
ECAL:    0                     OPCAL:   0
R/T:     0                     RECORD:  1
    
```

```

MB_DOWN: 00000                MB_UP:   00000
COMP_FLAG: 1
EST_COMP: 2.0                 EST_COMPV: 0.3
RATE_CON1: 00000             RATE_CON2: 65525
NWAVETOT: 252                TLMFMT:  LPU
    
```

```

THRESHOLD_SEL: 0
THRESHOLD_VALUES: 000, 000, 000, 000, 000, 000, 000, 000, 000, 000
                  000, 000, 000, 000, 000, 000, 000, 000, 000
    
```

```

WETGID:  0326252001          03  26  252  001
WTGRP_SIZ: 26
    
```

EDIT TABLE

GRATING STEP	HEX MASK	DETECTOR MASK
0	1FFFF	1,1111,1111,1111,1111
1	1FFFF	1,1111,1111,1111,1111
2	1FFFF	1,1111,1111,1111,1111
3	1FFFF	1,1111,1111,1111,1111
4	1FFFF	1,1111,1111,1111,1111
5	1FFFF	1,1111,1111,1111,1111
6	1FFFF	1,1111,1111,1111,1111
7	1FFFF	1,1111,1111,1111,1111
8	1FFFF	1,1111,1111,1111,1111
9	1FFFF	1,1111,1111,1111,1111
10	1FFFF	1,1111,1111,1111,1111
11	1FFFF	1,1111,1111,1111,1111
12	1FFFF	1,1111,1111,1111,1111
13	1FFFF	1,1111,1111,1111,1111
14	1FFF8	1,1111,1111,1111,1000
15	00000	0,0000,0000,0000,0000
16	00000	0,0000,0000,0000,0000
17	00000	0,0000,0000,0000,0000
18	00000	0,0000,0000,0000,0000
19	00000	0,0000,0000,0000,0000
20	00000	0,0000,0000,0000,0000
21	00000	0,0000,0000,0000,0000
22	00000	0,0000,0000,0000,0000
23	00000	0,0000,0000,0000,0000
24	00000	0,0000,0000,0000,0000
25	00000	0,0000,0000,0000,0000

C9JNSRTAUR01

```

OAPEL:  C9JNSRTAUR01      ALIAS:  C9JNSRTAUR01
EXT:    R                  PSID:    FE
SCLK1:  04015483:00:0     SCLK2:  04015485:12:0
SCET1:  1997-176/21:36:12.200  SCET2:  1997-176/21:38:21.533
TARGET: JUPITER          PARTITION: 1
  
```

```

MODE:    3                  GAIN:    4
CHOP:    1                  GRAT_OFF: 4
PTAB_A:  1 1 0 0 124      PTAB_B:  1 1 0 0 124
ECAL:    0                  OPCAL:   0
R/T:     1                  RECORD:  0
  
```

```

MB_DOWN: 11011             MB_UP:   11011
COMP_FLAG: 0
EST_COMP: 0.0             EST_COMPV: 0.0
RATE_CON1: 00000         RATE_CON2: 00000
NWAVETOT: 408            TLMFMT:  RT
  
```

```

THRESHOLD_SEL: 0
THRESHOLD_VALUES: 000, 000, 000, 000, 000, 000, 000, 000, 000, 000
                  000, 000, 000, 000, 000, 000, 000, 000, 000
  
```

```

WETGID:  0302408000      03  02  408  000
WTGRP_SIZ:  2
  
```

EDIT TABLE

GRATING STEP	HEX MASK	DETECTOR MASK
0	1FFFF	1,1111,1111,1111,1111
1	1FFFF	1,1111,1111,1111,1111
2	1FFFF	1,1111,1111,1111,1111
3	1FFFF	1,1111,1111,1111,1111
4	1FFFF	1,1111,1111,1111,1111
5	1FFFF	1,1111,1111,1111,1111
6	1FFFF	1,1111,1111,1111,1111
7	1FFFF	1,1111,1111,1111,1111
8	1FFFF	1,1111,1111,1111,1111
9	1FFFF	1,1111,1111,1111,1111
10	1FFFF	1,1111,1111,1111,1111
11	1FFFF	1,1111,1111,1111,1111
12	1FFFF	1,1111,1111,1111,1111
13	1FFFF	1,1111,1111,1111,1111
14	1FFFF	1,1111,1111,1111,1111
15	1FFFF	1,1111,1111,1111,1111
16	1FFFF	1,1111,1111,1111,1111
17	1FFFF	1,1111,1111,1111,1111
18	1FFFF	1,1111,1111,1111,1111
19	1FFFF	1,1111,1111,1111,1111
20	1FFFF	1,1111,1111,1111,1111
21	1FFFF	1,1111,1111,1111,1111
22	1FFFF	1,1111,1111,1111,1111
23	1FFFF	1,1111,1111,1111,1111
24	00000	0,0000,0000,0000,0000
25	00000	0,0000,0000,0000,0000

C9JNSRTAUR02

```

OAPEL:  C9JNSRTAUR02      ALIAS:  C9JNSRTAUR02
EXT:    R                  PSID:    FQ
SCLK1:  04015499:00:0     SCLK2:  04015501:12:0
SCET1:  1997-176/21:52:22.866  SCET2:  1997-176/21:54:32.200
TARGET: JUPITER          PARTITION: 1
    
```

```

MODE:    3                  GAIN:    4
CHOP:    1                  GRAT_OFF: 4
PTAB_A:  1 1 0 0 124      PTAB_B:  1 1 0 0 124
ECAL:    0                  OPCAL:   0
R/T:     1                  RECORD:  0
    
```

```

MB_DOWN: 11011             MB_UP:   11011
COMP_FLAG: 0
EST_COMP: 0.0             EST_COMPV: 0.0
RATE_CON1: 00000          RATE_CON2: 00000
NWAVETOT: 408             TLMFMT:  RT
    
```

```

THRESHOLD_SEL: 0
THRESHOLD_VALUES: 000, 000, 000, 000, 000, 000, 000, 000, 000, 000
                  000, 000, 000, 000, 000, 000, 000, 000, 000
    
```

```

WETGID:  0301408000      03  01  408  000
WTGRP_SIZ:  2
    
```

EDIT TABLE

GRATING STEP	HEX MASK	DETECTOR MASK
0	1FFFF	1,1111,1111,1111,1111
1	1FFFF	1,1111,1111,1111,1111
2	1FFFF	1,1111,1111,1111,1111
3	1FFFF	1,1111,1111,1111,1111
4	1FFFF	1,1111,1111,1111,1111
5	1FFFF	1,1111,1111,1111,1111
6	1FFFF	1,1111,1111,1111,1111
7	1FFFF	1,1111,1111,1111,1111
8	1FFFF	1,1111,1111,1111,1111
9	1FFFF	1,1111,1111,1111,1111
10	1FFFF	1,1111,1111,1111,1111
11	1FFFF	1,1111,1111,1111,1111
12	1FFFF	1,1111,1111,1111,1111
13	1FFFF	1,1111,1111,1111,1111
14	1FFFF	1,1111,1111,1111,1111
15	1FFFF	1,1111,1111,1111,1111
16	1FFFF	1,1111,1111,1111,1111
17	1FFFF	1,1111,1111,1111,1111
18	1FFFF	1,1111,1111,1111,1111
19	1FFFF	1,1111,1111,1111,1111
20	1FFFF	1,1111,1111,1111,1111
21	1FFFF	1,1111,1111,1111,1111
22	1FFFF	1,1111,1111,1111,1111
23	1FFFF	1,1111,1111,1111,1111
24	00000	0,0000,0000,0000,0000
25	00000	0,0000,0000,0000,0000

C9JNRTHOTS01

```

OAPEL:  C9JNRTHOTS01      ALIAS:  C9JNRTHOTS01
EXT:    R                  PSID:    MB
SCLK1:  04015515:00:0     SCLK2:  04015517:12:0
SCET1:  1997-176/22:08:33.533  SCET2:  1997-176/22:10:42.866
TARGET: JUPITER          PARTITION: 1
    
```

```

MODE:    3                GAIN:    4
CHOP:    1                GRAT_OFF: 4
PTAB_A:  1 1 0 0 124     PTAB_B:  1 1 0 0 124
ECAL:    0                OPCAL:   0
R/T:     1                RECORD:  0
    
```

```

MB_DOWN: 11011           MB_UP:   11011
COMP_FLAG: 0
EST_COMP: 0.0           EST_COMPV: 0.0
RATE_CON1: 00000       RATE_CON2: 00000
NWAVETOT: 408          TLMFMT:  RT
    
```

```

THRESHOLD_SEL: 0
THRESHOLD_VALUES: 000, 000, 000, 000, 000, 000, 000, 000, 000, 000
                  000, 000, 000, 000, 000, 000, 000, 000, 000
    
```

```

WETGID:  0301408000      03  01  408  000
WTGRP_SIZ:  2
    
```

EDIT TABLE

GRATING STEP	HEX MASK	DETECTOR MASK
0	1FFFF	1,1111,1111,1111,1111
1	1FFFF	1,1111,1111,1111,1111
2	1FFFF	1,1111,1111,1111,1111
3	1FFFF	1,1111,1111,1111,1111
4	1FFFF	1,1111,1111,1111,1111
5	1FFFF	1,1111,1111,1111,1111
6	1FFFF	1,1111,1111,1111,1111
7	1FFFF	1,1111,1111,1111,1111
8	1FFFF	1,1111,1111,1111,1111
9	1FFFF	1,1111,1111,1111,1111
10	1FFFF	1,1111,1111,1111,1111
11	1FFFF	1,1111,1111,1111,1111
12	1FFFF	1,1111,1111,1111,1111
13	1FFFF	1,1111,1111,1111,1111
14	1FFFF	1,1111,1111,1111,1111
15	1FFFF	1,1111,1111,1111,1111
16	1FFFF	1,1111,1111,1111,1111
17	1FFFF	1,1111,1111,1111,1111
18	1FFFF	1,1111,1111,1111,1111
19	1FFFF	1,1111,1111,1111,1111
20	1FFFF	1,1111,1111,1111,1111
21	1FFFF	1,1111,1111,1111,1111
22	1FFFF	1,1111,1111,1111,1111
23	1FFFF	1,1111,1111,1111,1111
24	00000	0,0000,0000,0000,0000
25	00000	0,0000,0000,0000,0000

C9JNSRTAUR03

```

OAPEL:  C9JNSRTAUR03          ALIAS:  C9JNSRTAUR03
EXT:    R                      PSID:    FU
SCLK1:  04015529:00:0         SCLK2:  04015531:12:0
SCET1:  1997-176/22:22:42.866 SCET2:  1997-176/22:24:52.200
TARGET: JUPITER              PARTITION: 1
    
```

```

MODE:    3                      GAIN:    4
CHOP:    1                      GRAT_OFF: 4
PTAB_A:  1 1 0 0 124          PTAB_B:  1 1 0 0 124
ECAL:    0                      OPCAL:   0
R/T:     1                      RECORD:  0
    
```

```

MB_DOWN: 11011                MB_UP:   11011
COMP_FLAG: 0
EST_COMP: 0.0                EST_COMPV: 0.0
RATE_CON1: 00000            RATE_CON2: 00000
NWAVETOT: 408                TLMFMT:  RT
    
```

```

THRESHOLD_SEL: 0
THRESHOLD_VALUES: 000, 000, 000, 000, 000, 000, 000, 000, 000, 000
                  000, 000, 000, 000, 000, 000, 000, 000, 000
    
```

```

WETGID:  0301408000          03  01  408  000
WTGRP_SIZ:  2
    
```

EDIT TABLE

GRATING STEP	HEX MASK	DETECTOR MASK
0	1FFFF	1,1111,1111,1111,1111
1	1FFFF	1,1111,1111,1111,1111
2	1FFFF	1,1111,1111,1111,1111
3	1FFFF	1,1111,1111,1111,1111
4	1FFFF	1,1111,1111,1111,1111
5	1FFFF	1,1111,1111,1111,1111
6	1FFFF	1,1111,1111,1111,1111
7	1FFFF	1,1111,1111,1111,1111
8	1FFFF	1,1111,1111,1111,1111
9	1FFFF	1,1111,1111,1111,1111
10	1FFFF	1,1111,1111,1111,1111
11	1FFFF	1,1111,1111,1111,1111
12	1FFFF	1,1111,1111,1111,1111
13	1FFFF	1,1111,1111,1111,1111
14	1FFFF	1,1111,1111,1111,1111
15	1FFFF	1,1111,1111,1111,1111
16	1FFFF	1,1111,1111,1111,1111
17	1FFFF	1,1111,1111,1111,1111
18	1FFFF	1,1111,1111,1111,1111
19	1FFFF	1,1111,1111,1111,1111
20	1FFFF	1,1111,1111,1111,1111
21	1FFFF	1,1111,1111,1111,1111
22	1FFFF	1,1111,1111,1111,1111
23	1FFFF	1,1111,1111,1111,1111
24	00000	0,0000,0000,0000,0000
25	00000	0,0000,0000,0000,0000

C9JNRTHOTS02

```

OAPEL:  C9JNRTHOTS02          ALIAS:  C9JNRTHOTS02
EXT:    R                      PSID:    MC
SCLK1:  04015721:00:0         SCLK2:  04015723:12:0
SCET1:  1997-177/01:36:50.866 SCET2:  1997-177/01:39:00.200
TARGET: JUPITER              PARTITION: 1
    
```

```

MODE:    3                      GAIN:    4
CHOP:    1                      GRAT_OFF: 4
PTAB_A:  1 1 0 0 124          PTAB_B:  1 1 0 0 124
ECAL:    0                      OPCAL:   0
R/T:     1                      RECORD:  0
    
```

```

MB_DOWN: 11011                MB_UP:   11011
COMP_FLAG: 0
EST_COMP: 0.0                EST_COMPV: 0.0
RATE_CON1: 00000            RATE_CON2: 00000
NWAVETOT: 408                TLMFMT:  RT
    
```

```

THRESHOLD_SEL: 0
THRESHOLD_VALUES: 000, 000, 000, 000, 000, 000, 000, 000, 000, 000
                  000, 000, 000, 000, 000, 000, 000, 000, 000
    
```

```

WETGID:  0301408000          03  01  408  000
WTGRP_SIZ:  2
    
```

EDIT TABLE

GRATING STEP	HEX MASK	DETECTOR MASK
0	1FFFF	1,1111,1111,1111,1111
1	1FFFF	1,1111,1111,1111,1111
2	1FFFF	1,1111,1111,1111,1111
3	1FFFF	1,1111,1111,1111,1111
4	1FFFF	1,1111,1111,1111,1111
5	1FFFF	1,1111,1111,1111,1111
6	1FFFF	1,1111,1111,1111,1111
7	1FFFF	1,1111,1111,1111,1111
8	1FFFF	1,1111,1111,1111,1111
9	1FFFF	1,1111,1111,1111,1111
10	1FFFF	1,1111,1111,1111,1111
11	1FFFF	1,1111,1111,1111,1111
12	1FFFF	1,1111,1111,1111,1111
13	1FFFF	1,1111,1111,1111,1111
14	1FFFF	1,1111,1111,1111,1111
15	1FFFF	1,1111,1111,1111,1111
16	1FFFF	1,1111,1111,1111,1111
17	1FFFF	1,1111,1111,1111,1111
18	1FFFF	1,1111,1111,1111,1111
19	1FFFF	1,1111,1111,1111,1111
20	1FFFF	1,1111,1111,1111,1111
21	1FFFF	1,1111,1111,1111,1111
22	1FFFF	1,1111,1111,1111,1111
23	1FFFF	1,1111,1111,1111,1111
24	00000	0,0000,0000,0000,0000
25	00000	0,0000,0000,0000,0000

C9JNSRTAUR06

```

OAPEL:  C9JNSRTAUR06      ALIAS:  C9JNSRTAUR06
EXT:    R                  PSID:    DM
SCLK1:  04015835:00:0     SCLK2:  04015837:12:0
SCET1:  1997-177/03:32:06.866  SCET2:  1997-177/03:34:16.200
TARGET: JUPITER          PARTITION: 1
    
```

```

MODE:    3                GAIN:    4
CHOP:    1                GRAT_OFF: 4
PTAB_A:  1 1 0 0 124     PTAB_B:  1 1 0 0 124
ECAL:    0                OPCAL:   0
R/T:     1                RECORD:  0
    
```

```

MB_DOWN: 11011           MB_UP:   11011
COMP_FLAG: 0
EST_COMP: 0.0           EST_COMPV: 0.0
RATE_CON1: 00000       RATE_CON2: 00000
NWAVETOT: 408          TLMFMT:  RT
    
```

```

THRESHOLD_SEL: 0
THRESHOLD_VALUES: 000, 000, 000, 000, 000, 000, 000, 000, 000, 000
                  000, 000, 000, 000, 000, 000, 000, 000, 000
    
```

```

WETGID:  0301408000      03  01  408  000
WTGRP_SIZ:  2
    
```

EDIT TABLE

GRATING STEP	HEX MASK	DETECTOR MASK
0	1FFFF	1,1111,1111,1111,1111
1	1FFFF	1,1111,1111,1111,1111
2	1FFFF	1,1111,1111,1111,1111
3	1FFFF	1,1111,1111,1111,1111
4	1FFFF	1,1111,1111,1111,1111
5	1FFFF	1,1111,1111,1111,1111
6	1FFFF	1,1111,1111,1111,1111
7	1FFFF	1,1111,1111,1111,1111
8	1FFFF	1,1111,1111,1111,1111
9	1FFFF	1,1111,1111,1111,1111
10	1FFFF	1,1111,1111,1111,1111
11	1FFFF	1,1111,1111,1111,1111
12	1FFFF	1,1111,1111,1111,1111
13	1FFFF	1,1111,1111,1111,1111
14	1FFFF	1,1111,1111,1111,1111
15	1FFFF	1,1111,1111,1111,1111
16	1FFFF	1,1111,1111,1111,1111
17	1FFFF	1,1111,1111,1111,1111
18	1FFFF	1,1111,1111,1111,1111
19	1FFFF	1,1111,1111,1111,1111
20	1FFFF	1,1111,1111,1111,1111
21	1FFFF	1,1111,1111,1111,1111
22	1FFFF	1,1111,1111,1111,1111
23	1FFFF	1,1111,1111,1111,1111
24	00000	0,0000,0000,0000,0000
25	00000	0,0000,0000,0000,0000

C9JNRTHOTS03

```

OAPEL:  C9JNRTHOTS03          ALIAS:  C9JNRTHOTS03
EXT:    R                      PSID:    MD
SCLK1:  04015976:00:0         SCLK2:  04015978:12:0
SCET1:  1997-177/05:54:40.866 SCET2:  1997-177/05:56:50.200
TARGET: JUPITER              PARTITION: 1
    
```

```

MODE:    3                      GAIN:    4
CHOP:    1                      GRAT_OFF: 4
PTAB_A:  1 1 0 0 124          PTAB_B:  1 1 0 0 124
ECAL:    0                      OPCAL:   0
R/T:     1                      RECORD:  0
    
```

```

MB_DOWN: 11011                MB_UP:   11011
COMP_FLAG: 0
EST_COMP: 0.0                 EST_COMPV: 0.0
RATE_CON1: 00000             RATE_CON2: 00000
NWAVETOT: 408                TLMFMT:  RT
    
```

```

THRESHOLD_SEL: 0
THRESHOLD_VALUES: 000, 000, 000, 000, 000, 000, 000, 000, 000, 000
                  000, 000, 000, 000, 000, 000, 000, 000, 000
    
```

```

WETGID:  0301408000          03  01  408  000
WTGRP_SIZ:  2
    
```

EDIT TABLE

GRATING STEP	HEX MASK	DETECTOR MASK
0	1FFFF	1,1111,1111,1111,1111
1	1FFFF	1,1111,1111,1111,1111
2	1FFFF	1,1111,1111,1111,1111
3	1FFFF	1,1111,1111,1111,1111
4	1FFFF	1,1111,1111,1111,1111
5	1FFFF	1,1111,1111,1111,1111
6	1FFFF	1,1111,1111,1111,1111
7	1FFFF	1,1111,1111,1111,1111
8	1FFFF	1,1111,1111,1111,1111
9	1FFFF	1,1111,1111,1111,1111
10	1FFFF	1,1111,1111,1111,1111
11	1FFFF	1,1111,1111,1111,1111
12	1FFFF	1,1111,1111,1111,1111
13	1FFFF	1,1111,1111,1111,1111
14	1FFFF	1,1111,1111,1111,1111
15	1FFFF	1,1111,1111,1111,1111
16	1FFFF	1,1111,1111,1111,1111
17	1FFFF	1,1111,1111,1111,1111
18	1FFFF	1,1111,1111,1111,1111
19	1FFFF	1,1111,1111,1111,1111
20	1FFFF	1,1111,1111,1111,1111
21	1FFFF	1,1111,1111,1111,1111
22	1FFFF	1,1111,1111,1111,1111
23	1FFFF	1,1111,1111,1111,1111
24	00000	0,0000,0000,0000,0000
25	00000	0,0000,0000,0000,0000

C9JNAURMAP01

```

OAPEL:  C9JNAURMAP01      ALIAS:  C9JNAURMAP01
EXT:    R                  PSID:    AH
SCLK1:  04016077:00:0     SCLK2:  04016079:12:0
SCET1:  1997-177/07:36:48.200  SCET2:  1997-177/07:38:57.533
TARGET: JUPITER          PARTITION: 1
    
```

```

MODE:    3                GAIN:    4
CHOP:    1                GRAT_OFF: 4
PTAB_A:  1 1 0 0 124     PTAB_B:  1 1 0 0 124
ECAL:    0                OPCAL:   0
R/T:     1                RECORD:  0
    
```

```

MB_DOWN: 11011           MB_UP:   11011
COMP_FLAG: 0
EST_COMP: 0.0           EST_COMPV: 0.0
RATE_CON1: 00000       RATE_CON2: 00000
NWAVETOT: 408          TLMFMT:  RT
    
```

```

THRESHOLD_SEL: 0
THRESHOLD_VALUES: 000, 000, 000, 000, 000, 000, 000, 000, 000, 000
                  000, 000, 000, 000, 000, 000, 000, 000, 000
    
```

```

WETGID:  0301408000      03  01  408  000
WTGRP_SIZ:  2
    
```

EDIT TABLE

GRATING STEP	HEX MASK	DETECTOR MASK
0	1FFFF	1,1111,1111,1111,1111
1	1FFFF	1,1111,1111,1111,1111
2	1FFFF	1,1111,1111,1111,1111
3	1FFFF	1,1111,1111,1111,1111
4	1FFFF	1,1111,1111,1111,1111
5	1FFFF	1,1111,1111,1111,1111
6	1FFFF	1,1111,1111,1111,1111
7	1FFFF	1,1111,1111,1111,1111
8	1FFFF	1,1111,1111,1111,1111
9	1FFFF	1,1111,1111,1111,1111
10	1FFFF	1,1111,1111,1111,1111
11	1FFFF	1,1111,1111,1111,1111
12	1FFFF	1,1111,1111,1111,1111
13	1FFFF	1,1111,1111,1111,1111
14	1FFFF	1,1111,1111,1111,1111
15	1FFFF	1,1111,1111,1111,1111
16	1FFFF	1,1111,1111,1111,1111
17	1FFFF	1,1111,1111,1111,1111
18	1FFFF	1,1111,1111,1111,1111
19	1FFFF	1,1111,1111,1111,1111
20	1FFFF	1,1111,1111,1111,1111
21	1FFFF	1,1111,1111,1111,1111
22	1FFFF	1,1111,1111,1111,1111
23	1FFFF	1,1111,1111,1111,1111
24	00000	0,0000,0000,0000,0000
25	00000	0,0000,0000,0000,0000

C9NGLOBAL01

```

OAPEL: C9NGLOBAL01          ALIAS: C9NGLOBAL01
EXT: A                      PSID: DI
SCLK1: 04016329:00:0       SCLK2: 04016376:43:0
SCET1: 97-177/11:51:36.200 SCET2: 97-177/12:39:36.200
TARGET: GANYMEDE          PARTITION: 1
    
```

```

MODE: 3                    GAIN: 3
CHOP: 1                   GRAT_OFF: 4
PTAB_A: 1 1 0 0 124      PTAB_B: 1 1 0 0 124
ECAL: 0                   OPCAL: 0
R/T: 0                    RECORD: 1
    
```

```

MB_DOWN: 00000           MB_UP: 00000
COMP_FLAG: 1
EST_COMP: 2.0           EST_COMPV: 0.3
RATE_CON1: 00000       RATE_CON2: 65525
NWAVETOT: 228          TLMFMT: LPU
    
```

```

THRESHOLD_SEL: 2
THRESHOLD_VALUES: 030, 030, 030, 000, 030, 029, 028, 028, 029
                  028, 032, 034, 031, 031, 032, 030, 029
    
```

```

WETGID: 0326228001      03 26 228 001
WTGRP_SIZ: 26
    
```

EDIT TABLE

GRATING STEP	HEX MASK	DETECTOR MASK
0	03C00	0,0011,1100,0000,0000
1	1BDFF	1,1011,1101,1111,1111
2	03C00	0,0011,1100,0000,0000
3	1BDFF	1,1011,1101,1111,1111
4	03C00	0,0011,1100,0000,0000
5	1BDFF	1,1011,1101,1111,1111
6	03C00	0,0011,1100,0000,0000
7	1BDFF	1,1011,1101,1111,1111
8	03C00	0,0011,1100,0000,0000
9	1BDFF	1,1011,1101,1111,1111
10	03C00	0,0011,1100,0000,0000
11	1BDFF	1,1011,1101,1111,1111
12	03C00	0,0011,1100,0000,0000
13	1BDFF	1,1011,1101,1111,1111
14	03C00	0,0011,1100,0000,0000
15	1BDFF	1,1011,1101,1111,1111
16	03C00	0,0011,1100,0000,0000
17	1BDFF	1,1011,1101,1111,1111
18	03C00	0,0011,1100,0000,0000
19	1BDFF	1,1011,1101,1111,1111
20	03C00	0,0011,1100,0000,0000
21	1BDFF	1,1011,1101,1111,1111
22	03C00	0,0011,1100,0000,0000
23	1BDFF	1,1011,1101,1111,1111
24	00000	0,0000,0000,0000,0000
25	00000	0,0000,0000,0000,0000

C9JNAURMAP02

```

OAPEL:  C9JNAURMAP02          ALIAS:  C9JNAURMAP02
EXT:    R                      PSID:   LI
SCLK1:  04016420:00:0        SCLK2:  04016422:12:0
SCET1:  1997-177/13:23:36.866 SCET2:  1997-177/13:25:46.200
TARGET: JUPITER              PARTITION: 1
  
```

```

MODE:    3                      GAIN:    4
CHOP:    1                      GRAT_OFF: 4
PTAB_A:  1 1 0 0 124          PTAB_B:  1 1 0 0 124
ECAL:    0                      OPCAL:   0
R/T:     1                      RECORD:  0
  
```

```

MB_DOWN: 11011                MB_UP:   11011
COMP_FLAG: 0
EST_COMP: 0.0                EST_COMPV: 0.0
RATE_CON1: 00000            RATE_CON2: 00000
NWAVETOT: 408                TLMFMT:  RT
  
```

```

THRESHOLD_SEL: 0
THRESHOLD_VALUES: 000, 000, 000, 000, 000, 000, 000, 000, 000, 000
                  000, 000, 000, 000, 000, 000, 000, 000, 000
  
```

```

WETGID:  0301408000          03  01  408  000
WTGRP_SIZ:  2
  
```

EDIT TABLE

GRATING STEP	HEX MASK	DETECTOR MASK
0	1FFFF	1,1111,1111,1111,1111
1	1FFFF	1,1111,1111,1111,1111
2	1FFFF	1,1111,1111,1111,1111
3	1FFFF	1,1111,1111,1111,1111
4	1FFFF	1,1111,1111,1111,1111
5	1FFFF	1,1111,1111,1111,1111
6	1FFFF	1,1111,1111,1111,1111
7	1FFFF	1,1111,1111,1111,1111
8	1FFFF	1,1111,1111,1111,1111
9	1FFFF	1,1111,1111,1111,1111
10	1FFFF	1,1111,1111,1111,1111
11	1FFFF	1,1111,1111,1111,1111
12	1FFFF	1,1111,1111,1111,1111
13	1FFFF	1,1111,1111,1111,1111
14	1FFFF	1,1111,1111,1111,1111
15	1FFFF	1,1111,1111,1111,1111
16	1FFFF	1,1111,1111,1111,1111
17	1FFFF	1,1111,1111,1111,1111
18	1FFFF	1,1111,1111,1111,1111
19	1FFFF	1,1111,1111,1111,1111
20	1FFFF	1,1111,1111,1111,1111
21	1FFFF	1,1111,1111,1111,1111
22	1FFFF	1,1111,1111,1111,1111
23	1FFFF	1,1111,1111,1111,1111
24	00000	0,0000,0000,0000,0000
25	00000	0,0000,0000,0000,0000

C9ENCLIPSE01

```

OAPEL: C9ENCLIPSE01      ALIAS: C9ENCLIPSE01
EXT: A                    PSID: DJ
SCLK1: 04016575:00:0     SCLK2: 04016580:02:0
SCET1: 97-177/16:00:20.200 SCET2: 97-177/16:05:25.533
TARGET: EUROPA           PARTITION: 1
  
```

```

MODE: 1                   GAIN: 4
CHOP: 1                   GRAT_OFF: 4
PTAB_A: 1 1 0 0 212     PTAB_B: 1 1 0 0 212
ECAL: 0                   OPCAL: 0
R/T: 0                    RECORD: 1
  
```

```

MB_DOWN: 00000           MB_UP: 00000
COMP_FLAG: 1
EST_COMP: 2.0            EST_COMPV: 0.3
RATE_CON1: 00000        RATE_CON2: 65525
NWAVETOT: 126           TLMFMT: LPU
  
```

```

THRESHOLD_SEL: 0
THRESHOLD_VALUES: 000, 000, 000, 000, 000, 000, 000, 000, 000, 000
                  000, 000, 000, 000, 000, 000, 000, 000, 000
  
```

```

WETGID: 0113126001      01 13 126 001
WTGRP_SIZ: 13
  
```

EDIT TABLE

GRATING STEP	HEX MASK	DETECTOR MASK
0	1BDFF	1,1011,1101,1111,1111
1	0003F	0,0000,0000,0011,1111
2	1BDFF	1,1011,1101,1111,1111
3	0003F	0,0000,0000,0011,1111
4	1BDFF	1,1011,1101,1111,1111
5	0003F	0,0000,0000,0011,1111
6	1BDFF	1,1011,1101,1111,1111
7	0003F	0,0000,0000,0011,1111
8	1BDFF	1,1011,1101,1111,1111
9	0003F	0,0000,0000,0011,1111
10	1BDFF	1,1011,1101,1111,1111
11	0003F	0,0000,0000,0011,1111
12	00000	0,0000,0000,0000,0000

C9ENRTECLI01

```

OAPEL: C9ENRTECLI01      ALIAS: C9ENRTECLI01
EXT: R                    PSID: ME
SCLK1: 04016584:00:0     SCLK2: 04016586:12:0
SCET1: 1997-177/16:09:26.200 SCET2: 1997-177/16:11:35.533
TARGET: EUROPA           PARTITION: 1
    
```

```

MODE: 1                  GAIN: 4
CHOP: 1                  GRAT_OFF: 4
PTAB_A: 1 1 0 0 212     PTAB_B: 1 1 0 0 212
ECAL: 0                  OPCAL: 0
R/T: 1                   RECORD: 0
    
```

```

MB_DOWN: 11011          MB_UP: 11011
COMP_FLAG: 0
EST_COMP: 0.0           EST_COMPV: 0.0
RATE_CON1: 00000        RATE_CON2: 00000
NWAVETOT: 221           TLMFMT: RT
    
```

```

THRESHOLD_SEL: 0
THRESHOLD_VALUES: 000, 000, 000, 000, 000, 000, 000, 000, 000, 000
                  000, 000, 000, 000, 000, 000, 000, 000, 000
    
```

```

WETGID: 0101221000      01 01 221 000
WTGRP_SIZ: 1
    
```

EDIT TABLE

GRATING STEP	HEX MASK	DETECTOR MASK
0	1FFFF	1,1111,1111,1111,1111
1	1FFFF	1,1111,1111,1111,1111
2	1FFFF	1,1111,1111,1111,1111
3	1FFFF	1,1111,1111,1111,1111
4	1FFFF	1,1111,1111,1111,1111
5	1FFFF	1,1111,1111,1111,1111
6	1FFFF	1,1111,1111,1111,1111
7	1FFFF	1,1111,1111,1111,1111
8	1FFFF	1,1111,1111,1111,1111
9	1FFFF	1,1111,1111,1111,1111
10	1FFFF	1,1111,1111,1111,1111
11	1FFFF	1,1111,1111,1111,1111
12	1FFFF	1,1111,1111,1111,1111

C9HNDARK__02

```

OAPEL:  C9HNDARK__02          ALIAS:  C9HNDARK__02
EXT:    A                      PSID:   DK
SCLK1:  04016615:00:0         SCLK2:  04016615:90:0
SCET1:  97-177/16:40:46.866  SCET2:  97-177/16:41:46.866
TARGET: SKY                    PARTITION: 1
    
```

```

MODE:    3                      GAIN:    2
CHOP:    1                      GRAT_OFF: 4
PTAB_A:  1 1 0 0 124          PTAB_B:  1 1 0 0 124
ECAL:    0                      OPCAL:   0
R/T:     0                      RECORD:  1
    
```

```

MB_DOWN: 00000                MB_UP:   00000
COMP_FLAG: 1
EST_COMP: 2.0                 EST_COMPV: 0.3
RATE_CON1: 00000             RATE_CON2: 65525
NWAVETOT: 252                TLMFMT:  LPU
    
```

```

THRESHOLD_SEL: 0
THRESHOLD_VALUES: 000, 000, 000, 000, 000, 000, 000, 000, 000, 000
                  000, 000, 000, 000, 000, 000, 000, 000, 000
    
```

```

WETGID:  0326252001          03  26  252  001
WTGRP_SIZ: 26
    
```

EDIT TABLE

GRATING STEP	HEX MASK	DETECTOR MASK
0	1FFFF	1,1111,1111,1111,1111
1	1FFFF	1,1111,1111,1111,1111
2	1FFFF	1,1111,1111,1111,1111
3	1FFFF	1,1111,1111,1111,1111
4	1FFFF	1,1111,1111,1111,1111
5	1FFFF	1,1111,1111,1111,1111
6	1FFFF	1,1111,1111,1111,1111
7	1FFFF	1,1111,1111,1111,1111
8	1FFFF	1,1111,1111,1111,1111
9	1FFFF	1,1111,1111,1111,1111
10	1FFFF	1,1111,1111,1111,1111
11	1FFFF	1,1111,1111,1111,1111
12	1FFFF	1,1111,1111,1111,1111
13	1FFFF	1,1111,1111,1111,1111
14	1FFF8	1,1111,1111,1111,1000
15	00000	0,0000,0000,0000,0000
16	00000	0,0000,0000,0000,0000
17	00000	0,0000,0000,0000,0000
18	00000	0,0000,0000,0000,0000
19	00000	0,0000,0000,0000,0000
20	00000	0,0000,0000,0000,0000
21	00000	0,0000,0000,0000,0000
22	00000	0,0000,0000,0000,0000
23	00000	0,0000,0000,0000,0000
24	00000	0,0000,0000,0000,0000
25	00000	0,0000,0000,0000,0000

C9GNDRKLIT01

```

OAPEL: C9GNDRKLIT01      ALIAS: C9GNDRKLIT01
EXT: A                    PSID: DL
SCLK1: 04016627:00:0     SCLK2: 04016655:71:0
SCET1: 97-177/16:52:54.866 SCET2: 97-177/17:22:01.533
TARGET: GANYMEDE        PARTITION: 1
  
```

```

MODE: 3                  GAIN: 3
CHOP: 1                  GRAT_OFF: 4
PTAB_A: 1 1 0 0 124     PTAB_B: 1 1 0 0 124
ECAL: 0                  OPCAL: 0
R/T: 0                   RECORD: 1
  
```

```

MB_DOWN: 00000          MB_UP: 00000
COMP_FLAG: 1
EST_COMP: 2.0           EST_COMPV: 0.3
RATE_CON1: 00000       RATE_CON2: 65525
NWAVETOT: 228          TLMFMT: LPU
  
```

```

THRESHOLD_SEL: 0
THRESHOLD_VALUES: 000, 000, 000, 000, 000, 000, 000, 000, 000
                  000, 000, 000, 000, 000, 000, 000, 000
  
```

```

WETGID: 0326228001      03 26 228 001
WTGRP_SIZ: 26
  
```

EDIT TABLE

GRATING STEP	HEX MASK	DETECTOR MASK
0	03C00	0,0011,1100,0000,0000
1	1BDFF	1,1011,1101,1111,1111
2	03C00	0,0011,1100,0000,0000
3	1BDFF	1,1011,1101,1111,1111
4	03C00	0,0011,1100,0000,0000
5	1BDFF	1,1011,1101,1111,1111
6	03C00	0,0011,1100,0000,0000
7	1BDFF	1,1011,1101,1111,1111
8	03C00	0,0011,1100,0000,0000
9	1BDFF	1,1011,1101,1111,1111
10	03C00	0,0011,1100,0000,0000
11	1BDFF	1,1011,1101,1111,1111
12	03C00	0,0011,1100,0000,0000
13	1BDFF	1,1011,1101,1111,1111
14	03C00	0,0011,1100,0000,0000
15	1BDFF	1,1011,1101,1111,1111
16	03C00	0,0011,1100,0000,0000
17	1BDFF	1,1011,1101,1111,1111
18	03C00	0,0011,1100,0000,0000
19	1BDFF	1,1011,1101,1111,1111
20	03C00	0,0011,1100,0000,0000
21	1BDFF	1,1011,1101,1111,1111
22	03C00	0,0011,1100,0000,0000
23	1BDFF	1,1011,1101,1111,1111
24	00000	0,0000,0000,0000,0000
25	00000	0,0000,0000,0000,0000

C9GNBRILED01

```

OAPEL: C9GNBRILED01      ALIAS: C9GNBRILED01
EXT: A                    PSID: DN
SCLK1: 04016661:00:0     SCLK2: 04016672:16:0
SCET1: 97-177/17:27:17.533 SCET2: 97-177/17:38:35.533
TARGET: GANYMEDE        PARTITION: 1
  
```

```

MODE: 3                  GAIN: 3
CHOP: 1                  GRAT_OFF: 4
PTAB_A: 1 1 0 0 124     PTAB_B: 1 1 0 0 124
ECAL: 0                  OPCAL: 0
R/T: 0                   RECORD: 1
  
```

```

MB_DOWN: 00000          MB_UP: 00000
COMP_FLAG: 1
EST_COMP: 2.0           EST_COMPV: 0.3
RATE_CON1: 00000       RATE_CON2: 65525
NWAVETOT: 228          TLMFMT: LPU
  
```

```

THRESHOLD_SEL: 0
THRESHOLD_VALUES: 000, 000, 000, 000, 000, 000, 000, 000, 000, 000
                  000, 000, 000, 000, 000, 000, 000, 000, 000
  
```

```

WETGID: 0326228001      03 26 228 001
WTGRP_SIZ: 26
  
```

EDIT TABLE

GRATING STEP	HEX MASK	DETECTOR MASK
0	03C00	0,0011,1100,0000,0000
1	1BDFF	1,1011,1101,1111,1111
2	03C00	0,0011,1100,0000,0000
3	1BDFF	1,1011,1101,1111,1111
4	03C00	0,0011,1100,0000,0000
5	1BDFF	1,1011,1101,1111,1111
6	03C00	0,0011,1100,0000,0000
7	1BDFF	1,1011,1101,1111,1111
8	03C00	0,0011,1100,0000,0000
9	1BDFF	1,1011,1101,1111,1111
10	03C00	0,0011,1100,0000,0000
11	1BDFF	1,1011,1101,1111,1111
12	03C00	0,0011,1100,0000,0000
13	1BDFF	1,1011,1101,1111,1111
14	03C00	0,0011,1100,0000,0000
15	1BDFF	1,1011,1101,1111,1111
16	03C00	0,0011,1100,0000,0000
17	1BDFF	1,1011,1101,1111,1111
18	03C00	0,0011,1100,0000,0000
19	1BDFF	1,1011,1101,1111,1111
20	03C00	0,0011,1100,0000,0000
21	1BDFF	1,1011,1101,1111,1111
22	03C00	0,0011,1100,0000,0000
23	1BDFF	1,1011,1101,1111,1111
24	00000	0,0000,0000,0000,0000
25	00000	0,0000,0000,0000,0000

C9GNRTSULC01

```

OAPEL: C9GNRTSULC01      ALIAS: C9GNRTSULC01
EXT: R                    PSID: LK
SCLK1: 04016690:00:0     SCLK2: 04016691:12:0
SCET1: 1997-177/17:56:36.866 SCET2: 1997-177/17:57:45.533
TARGET: GANYMEDE        PARTITION: 1
  
```

```

MODE: 3                  GAIN: 3
CHOP: 1                  GRAT_OFF: 4
PTAB_A: 1 1 0 0 124     PTAB_B: 1 1 0 0 124
ECAL: 0                  OPCAL: 0
R/T: 1                   RECORD: 0
  
```

```

MB_DOWN: 11011          MB_UP: 11011
COMP_FLAG: 0
EST_COMP: 0.0           EST_COMPV: 0.0
RATE_CON1: 00000        RATE_CON2: 00000
NWAVETOT: 408           TLMFMT: RT
  
```

```

THRESHOLD_SEL: 0
THRESHOLD_VALUES: 000, 000, 000, 000, 000, 000, 000, 000, 000, 000
                  000, 000, 000, 000, 000, 000, 000, 000, 000
  
```

```

WETGID: 0301408000      03 01 408 000
WTGRP_SIZ: 2
  
```

EDIT TABLE

GRATING STEP	HEX MASK	DETECTOR MASK
0	1FFFF	1,1111,1111,1111,1111
1	1FFFF	1,1111,1111,1111,1111
2	1FFFF	1,1111,1111,1111,1111
3	1FFFF	1,1111,1111,1111,1111
4	1FFFF	1,1111,1111,1111,1111
5	1FFFF	1,1111,1111,1111,1111
6	1FFFF	1,1111,1111,1111,1111
7	1FFFF	1,1111,1111,1111,1111
8	1FFFF	1,1111,1111,1111,1111
9	1FFFF	1,1111,1111,1111,1111
10	1FFFF	1,1111,1111,1111,1111
11	1FFFF	1,1111,1111,1111,1111
12	1FFFF	1,1111,1111,1111,1111
13	1FFFF	1,1111,1111,1111,1111
14	1FFFF	1,1111,1111,1111,1111
15	1FFFF	1,1111,1111,1111,1111
16	1FFFF	1,1111,1111,1111,1111
17	1FFFF	1,1111,1111,1111,1111
18	1FFFF	1,1111,1111,1111,1111
19	1FFFF	1,1111,1111,1111,1111
20	1FFFF	1,1111,1111,1111,1111
21	1FFFF	1,1111,1111,1111,1111
22	1FFFF	1,1111,1111,1111,1111
23	1FFFF	1,1111,1111,1111,1111
24	00000	0,0000,0000,0000,0000
25	00000	0,0000,0000,0000,0000

C9ENCLIPSE03

```

OAPEL: C9ENCLIPSE03          ALIAS: C9ENCLIPSE03
EXT: A                        PSID: DO
SCLK1: 04016743:00:0         SCLK2: 04016747:59:0
SCET1: 97-177/18:50:12.200  SCET2: 97-177/18:54:54.866
TARGET: EUROPA                PARTITION: 1
  
```

```

MODE: 1                      GAIN: 4
CHOP: 1                      GRAT_OFF: 4
PTAB_A: 1 1 0 0 212         PTAB_B: 1 1 0 0 212
ECAL: 0                      OPCAL: 0
R/T: 0                       RECORD: 1
  
```

```

MB_DOWN: 00000              MB_UP: 00000
COMP_FLAG: 1
EST_COMP: 2.0              EST_COMPV: 0.3
RATE_CON1: 00000           RATE_CON2: 65525
NWAVETOT: 126              TLMFMT: LPU
  
```

```

THRESHOLD_SEL: 0
THRESHOLD_VALUES: 000, 000, 000, 000, 000, 000, 000, 000, 000, 000
                   000, 000, 000, 000, 000, 000, 000, 000, 000
  
```

```

WETGID: 0113126001         01 13 126 001
WTGRP_SIZ: 13
  
```

EDIT TABLE

GRATING STEP	HEX MASK	DETECTOR MASK
0	1BDFF	1,1011,1101,1111,1111
1	0003F	0,0000,0000,0011,1111
2	1BDFF	1,1011,1101,1111,1111
3	0003F	0,0000,0000,0011,1111
4	1BDFF	1,1011,1101,1111,1111
5	0003F	0,0000,0000,0011,1111
6	1BDFF	1,1011,1101,1111,1111
7	0003F	0,0000,0000,0011,1111
8	1BDFF	1,1011,1101,1111,1111
9	0003F	0,0000,0000,0011,1111
10	1BDFF	1,1011,1101,1111,1111
11	0003F	0,0000,0000,0011,1111
12	00000	0,0000,0000,0000,0000

C9ENRTECLI03

```

OAPEL:  C9ENRTECLI03          ALIAS:  C9ENRTECLI03
EXT:    R                    PSID:    EY
SCLK1:  04016751:00:0        SCLK2:  04016753:12:0
SCET1:  1997-177/18:58:17.533 SCET2:  1997-177/19:00:26.866
TARGET: EUROPA                PARTITION: 1
  
```

```

MODE:    1                    GAIN:    4
CHOP:    1                    GRAT_OFF: 4
PTAB_A:  1 1 0 0 212        PTAB_B:  1 1 0 0 212
ECAL:    0                    OPCAL:   0
R/T:     1                    RECORD:  0
  
```

```

MB_DOWN: 11011                MB_UP:   11011
COMP_FLAG: 0
EST_COMP: 0.0                 EST_COMPV: 0.0
RATE_CON1: 00000             RATE_CON2: 00000
NWAVETOT: 221                TLMFMT:  RT
  
```

```

THRESHOLD_SEL: 0
THRESHOLD_VALUES: 000, 000, 000, 000, 000, 000, 000, 000, 000, 000
                  000, 000, 000, 000, 000, 000, 000, 000, 000
  
```

```

WETGID:  0101221000          01 01 221 000
WTGRP_SIZ: 1
  
```

EDIT TABLE

GRATING STEP	HEX MASK	DETECTOR MASK
0	1FFFF	1,1111,1111,1111,1111
1	1FFFF	1,1111,1111,1111,1111
2	1FFFF	1,1111,1111,1111,1111
3	1FFFF	1,1111,1111,1111,1111
4	1FFFF	1,1111,1111,1111,1111
5	1FFFF	1,1111,1111,1111,1111
6	1FFFF	1,1111,1111,1111,1111
7	1FFFF	1,1111,1111,1111,1111
8	1FFFF	1,1111,1111,1111,1111
9	1FFFF	1,1111,1111,1111,1111
10	1FFFF	1,1111,1111,1111,1111
11	1FFFF	1,1111,1111,1111,1111
12	1FFFF	1,1111,1111,1111,1111

C9JNGRS05101

```

OAPEL: C9JNGRS05101      ALIAS: C9JNGRS05101
EXT: A                    PSID: DP
SCLK1: 04016836:00:0     SCLK2: 04016839:24:0
SCET1: 97-177/20:24:14.200 SCET2: 97-177/20:27:32.200
TARGET: JUPITER          PARTITION: 1
  
```

```

MODE: 5                   GAIN: 2
CHOP: 1                   GRAT_OFF: 4
PTAB_A: 1 1 0 1 4 6      PTAB_B: 1 1 0 1 4 6
ECAL: 0                   OPCAL: 0
R/T: 0                    RECORD: 1
  
```

```

MB_DOWN: 00000           MB_UP: 00000
COMP_FLAG: 1
EST_COMP: 2.0            EST_COMPV: 0.3
RATE_CON1: 00000        RATE_CON2: 65525
NWAVETOT: 25            TLMFMT: LPU
  
```

```

THRESHOLD_SEL: 0
THRESHOLD_VALUES: 000, 000, 000, 000, 000, 000, 000, 000, 000
                  000, 000, 000, 000, 000, 000, 000, 000
  
```

```

WETGID: 0507025001      05 07 025 001
WTGRP_SIZ: 7
  
```

EDIT TABLE

GRATING STEP	HEX MASK	DETECTOR MASK
0	00400	0,0000,0100,0000,0000
1	11D81	1,0001,1101,1000,0001
2	19900	1,1001,1001,0000,0000
3	01902	0,0001,1001,0000,0010
4	0B810	0,1011,1000,0001,0000
5	00C01	0,0000,1100,0000,0001
6	00000	0,0000,0000,0000,0000

C9JNGRS05102

```

OAPEL: C9JNGRS05102      ALIAS: C9JNGRS05102
EXT: A                    PSID: DQ
SCLK1: 04016856:00:0     SCLK2: 04016859:24:0
SCET1: 97-177/20:44:27.533 SCET2: 97-177/20:47:45.533
TARGET: JUPITER          PARTITION: 1
  
```

```

MODE: 5                  GAIN: 2
CHOP: 1                  GRAT_OFF: 4
PTAB_A: 1 1 0 1 4 6     PTAB_B: 1 1 0 1 4 6
ECAL: 0                  OPCAL: 0
R/T: 0                   RECORD: 1
  
```

```

MB_DOWN: 00000          MB_UP: 00000
COMP_FLAG: 1
EST_COMP: 2.0           EST_COMPV: 0.3
RATE_CON1: 00000       RATE_CON2: 65525
NWAVETOT: 25           TLMFMT: LPU
  
```

```

THRESHOLD_SEL: 0
THRESHOLD_VALUES: 000, 000, 000, 000, 000, 000, 000, 000, 000, 000
                  000, 000, 000, 000, 000, 000, 000, 000, 000
  
```

```

WETGID: 0507025001     05 07 025 001
WTGRP_SIZ: 7
  
```

EDIT TABLE

GRATING STEP	HEX MASK	DETECTOR MASK
0	00400	0,0000,0100,0000,0000
1	11D81	1,0001,1101,1000,0001
2	19900	1,1001,1001,0000,0000
3	01902	0,0001,1001,0000,0010
4	0B810	0,1011,1000,0001,0000
5	00C01	0,0000,1100,0000,0001
6	00000	0,0000,0000,0000,0000

C9JNGRS05103

```

OAPEL: C9JNGRS05103      ALIAS: C9JNGRS05103
EXT: A                    PSID: DR
SCLK1: 04016921:00:0     SCLK2: 04016924:26:0
SCET1: 97-177/21:50:10.866 SCET2: 97-177/21:53:30.866
TARGET: JUPITER          PARTITION: 1
  
```

```

MODE: 5                   GAIN: 2
CHOP: 1                   GRAT_OFF: 4
PTAB_A: 1 1 0 1 4 6      PTAB_B: 1 1 0 1 4 6
ECAL: 0                   OPCAL: 0
R/T: 0                    RECORD: 1
  
```

```

MB_DOWN: 00000           MB_UP: 00000
COMP_FLAG: 1
EST_COMP: 2.0            EST_COMPV: 0.3
RATE_CON1: 00000        RATE_CON2: 65525
NWAVETOT: 25            TLMFMT: LPU
  
```

```

THRESHOLD_SEL: 0
THRESHOLD_VALUES: 000, 000, 000, 000, 000, 000, 000, 000, 000, 000
                  000, 000, 000, 000, 000, 000, 000, 000, 000
  
```

```

WETGID: 0507025001      05 07 025 001
WTGRP_SIZ: 7
  
```

EDIT TABLE

GRATING STEP	HEX MASK	DETECTOR MASK
0	00400	0,0000,0100,0000,0000
1	11D81	1,0001,1101,1000,0001
2	19900	1,1001,1001,0000,0000
3	01902	0,0001,1001,0000,0010
4	0B810	0,1011,1000,0001,0000
5	00C01	0,0000,1100,0000,0001
6	00000	0,0000,0000,0000,0000

C9NGLOBAL02

```

OAPEL: C9NGLOBAL02          ALIAS: C9NGLOBAL02
EXT: A                      PSID: DS
SCLK1: 04016929:00:0       SCLK2: 04016948:81:0
SCET1: 97-177/21:58:16.200 SCET2: 97-177/22:18:22.800
TARGET: GANYMEDE          PARTITION: 1
    
```

```

MODE: 3                    GAIN: 4
CHOP: 1                    GRAT_OFF: 4
PTAB_A: 1 1 0 0 124      PTAB_B: 1 1 0 0 124
ECAL: 0                    OPCAL: 0
R/T: 0                     RECORD: 1
    
```

```

MB_DOWN: 00000            MB_UP: 00000
COMP_FLAG: 1
EST_COMP: 2.0             EST_COMPV: 0.3
RATE_CON1: 00000         RATE_CON2: 65525
NWAVETOT: 228            TLMFMT: LPU
    
```

```

THRESHOLD_SEL: 0
THRESHOLD_VALUES: 000, 000, 000, 000, 000, 000, 000, 000, 000, 000
                   000, 000, 000, 000, 000, 000, 000, 000, 000
    
```

```

WETGID: 0326228001      03 26 228 001
WTGRP_SIZ: 26
    
```

EDIT TABLE

GRATING STEP	HEX MASK	DETECTOR MASK
0	03C00	0,0011,1100,0000,0000
1	1BDFF	1,1011,1101,1111,1111
2	03C00	0,0011,1100,0000,0000
3	1BDFF	1,1011,1101,1111,1111
4	03C00	0,0011,1100,0000,0000
5	1BDFF	1,1011,1101,1111,1111
6	03C00	0,0011,1100,0000,0000
7	1BDFF	1,1011,1101,1111,1111
8	03C00	0,0011,1100,0000,0000
9	1BDFF	1,1011,1101,1111,1111
10	03C00	0,0011,1100,0000,0000
11	1BDFF	1,1011,1101,1111,1111
12	03C00	0,0011,1100,0000,0000
13	1BDFF	1,1011,1101,1111,1111
14	03C00	0,0011,1100,0000,0000
15	1BDFF	1,1011,1101,1111,1111
16	03C00	0,0011,1100,0000,0000
17	1BDFF	1,1011,1101,1111,1111
18	03C00	0,0011,1100,0000,0000
19	1BDFF	1,1011,1101,1111,1111
20	03C00	0,0011,1100,0000,0000
21	1BDFF	1,1011,1101,1111,1111
22	03C00	0,0011,1100,0000,0000
23	1BDFF	1,1011,1101,1111,1111
24	00000	0,0000,0000,0000,0000
25	00000	0,0000,0000,0000,0000

C9INCOOLCV01

```

OAPEL: C9INCOOLCV01      ALIAS: C9INCOOLCV01
EXT: A                    PSID: DT
SCLK1: 04016978:87:0     SCLK2: 04016987:56:0
SCET1: 97-177/22:48:46.800 SCET2: 97-177/22:57:32.133
TARGET: IO                PARTITION: 1
  
```

```

MODE: 5                   GAIN: 2
CHOP: 1                   GRAT_OFF: 4
PTAB_A: 1 1 0 1 4 6      PTAB_B: 1 1 0 1 4 6
ECAL: 0                   OPCAL: 0
R/T: 0                    RECORD: 1
  
```

```

MB_DOWN: 00000           MB_UP: 00000
COMP_FLAG: 1
EST_COMP: 2.0            EST_COMPV: 0.3
RATE_CON1: 00000        RATE_CON2: 65525
NWAVETOT: 68            TLMFMT: LPU
  
```

```

THRESHOLD_SEL: 0
THRESHOLD_VALUES: 000, 000, 000, 000, 000, 000, 000, 000, 000, 000
                  000, 000, 000, 000, 000, 000, 000, 000, 000
  
```

```

WETGID: 0507068001      05 07 068 001
WTGRP_SIZ: 7
  
```

EDIT TABLE

GRATING STEP	HEX MASK	DETECTOR MASK
0	00000	0,0000,0000,0000,0000
1	000FF	0,0000,0000,1111,1111
2	1BDFF	1,1011,1101,1111,1111
3	1BDFF	1,1011,1101,1111,1111
4	1BDFF	1,1011,1101,1111,1111
5	1BDFF	1,1011,1101,1111,1111
6	00000	0,0000,0000,0000,0000

C9GNRTGLOB01

```

OAPEL: C9GNRTGLOB01      ALIAS: C9GNRTGLOB01
EXT: R                    PSID: LM
SCLK1: 04017011:00:0     SCLK2: 04017013:12:0
SCET1: 1997-177/23:21:10.800 SCET2: 1997-177/23:23:20.133
TARGET: GANYMEDE        PARTITION: 1
  
```

```

MODE: 3                  GAIN: 4
CHOP: 1                  GRAT_OFF: 4
PTAB_A: 1 1 0 0 124     PTAB_B: 1 1 0 0 124
ECAL: 0                  OPCAL: 0
R/T: 1                   RECORD: 0
  
```

```

MB_DOWN: 11011          MB_UP: 11011
COMP_FLAG: 0
EST_COMP: 0.0          EST_COMPV: 0.0
RATE_CON1: 00000       RATE_CON2: 00000
NWAVETOT: 408          TLMFMT: RT
  
```

```

THRESHOLD_SEL: 0
THRESHOLD_VALUES: 000, 000, 000, 000, 000, 000, 000, 000, 000, 000
                  000, 000, 000, 000, 000, 000, 000, 000, 000
  
```

```

WETGID: 0301408000     03 01 408 000
WTGRP_SIZ: 2
  
```

EDIT TABLE

GRATING STEP	HEX MASK	DETECTOR MASK
0	1FFFF	1,1111,1111,1111,1111
1	1FFFF	1,1111,1111,1111,1111
2	1FFFF	1,1111,1111,1111,1111
3	1FFFF	1,1111,1111,1111,1111
4	1FFFF	1,1111,1111,1111,1111
5	1FFFF	1,1111,1111,1111,1111
6	1FFFF	1,1111,1111,1111,1111
7	1FFFF	1,1111,1111,1111,1111
8	1FFFF	1,1111,1111,1111,1111
9	1FFFF	1,1111,1111,1111,1111
10	1FFFF	1,1111,1111,1111,1111
11	1FFFF	1,1111,1111,1111,1111
12	1FFFF	1,1111,1111,1111,1111
13	1FFFF	1,1111,1111,1111,1111
14	1FFFF	1,1111,1111,1111,1111
15	1FFFF	1,1111,1111,1111,1111
16	1FFFF	1,1111,1111,1111,1111
17	1FFFF	1,1111,1111,1111,1111
18	1FFFF	1,1111,1111,1111,1111
19	1FFFF	1,1111,1111,1111,1111
20	1FFFF	1,1111,1111,1111,1111
21	1FFFF	1,1111,1111,1111,1111
22	1FFFF	1,1111,1111,1111,1111
23	1FFFF	1,1111,1111,1111,1111
24	00000	0,0000,0000,0000,0000
25	00000	0,0000,0000,0000,0000

C9INWARMCV01

```

OAPEL: C9INWARMCV01      ALIAS: C9INWARMCV01
EXT: A                    PSID: DU
SCLK1: 04017113:00:0     SCLK2: 04017120:71:0
SCET1: 97-178/01:04:18.800 SCET2: 97-178/01:12:10.800
TARGET: IO                PARTITION: 1
  
```

```

MODE: 5                   GAIN: 2
CHOP: 1                   GRAT_OFF: 4
PTAB_A: 1 1 0 1 4 6     PTAB_B: 1 1 0 1 4 6
ECAL: 0                   OPCAL: 0
R/T: 0                    RECORD: 1
  
```

```

MB_DOWN: 00000           MB_UP: 00000
COMP_FLAG: 1
EST_COMP: 2.0           EST_COMPV: 0.3
RATE_CON1: 00000        RATE_CON2: 65525
NWAVETOT: 68           TLMFMT: LPU
  
```

```

THRESHOLD_SEL: 0
THRESHOLD_VALUES: 000, 000, 000, 000, 000, 000, 000, 000, 000
                  000, 000, 000, 000, 000, 000, 000, 000
  
```

```

WETGID: 0507068001      05 07 068 001
WTGRP_SIZ: 7
  
```

EDIT TABLE

GRATING STEP	HEX MASK	DETECTOR MASK
0	00000	0,0000,0000,0000,0000
1	000FF	0,0000,0000,1111,1111
2	1BDFF	1,1011,1101,1111,1111
3	1BDFF	1,1011,1101,1111,1111
4	1BDFF	1,1011,1101,1111,1111
5	1BDFF	1,1011,1101,1111,1111
6	00000	0,0000,0000,0000,0000

C9INWARMCV02

```

OAPEL: C9INWARMCV02      ALIAS: C9INWARMCV02
EXT: A                    PSID: DV
SCLK1: 04017152:00:0     SCLK2: 04017156:76:0
SCET1: 97-178/01:43:44.800 SCET2: 97-178/01:48:38.133
TARGET: IO                PARTITION: 1
  
```

```

MODE: 5                   GAIN: 2
CHOP: 1                   GRAT_OFF: 4
PTAB_A: 1 1 0 1 4 6     PTAB_B: 1 1 0 1 4 6
ECAL: 0                   OPCAL: 0
R/T: 0                    RECORD: 1
  
```

```

MB_DOWN: 00000           MB_UP: 00000
COMP_FLAG: 1
EST_COMP: 2.0           EST_COMPV: 0.3
RATE_CON1: 00000        RATE_CON2: 65525
NWAVETOT: 68           TLMFMT: LPU
  
```

```

THRESHOLD_SEL: 0
THRESHOLD_VALUES: 000, 000, 000, 000, 000, 000, 000, 000, 000, 000
                  000, 000, 000, 000, 000, 000, 000, 000, 000
  
```

```

WETGID: 0507068001      05 07 068 001
WTGRP_SIZ: 7
  
```

EDIT TABLE

GRATING STEP	HEX MASK	DETECTOR MASK
0	00000	0,0000,0000,0000,0000
1	000FF	0,0000,0000,1111,1111
2	1BDFF	1,1011,1101,1111,1111
3	1BDFF	1,1011,1101,1111,1111
4	1BDFF	1,1011,1101,1111,1111
5	1BDFF	1,1011,1101,1111,1111
6	00000	0,0000,0000,0000,0000

C9JNGRS01102

```

OAPEL: C9JNGRS01102      ALIAS: C9JNGRS01102
EXT: A                    PSID: DX
SCLK1: 04017444:00:0     SCLK2: 04017447:27:0
SCET1: 97-178/06:38:59.466 SCET2: 97-178/06:42:19.466
TARGET: JUPITER          PARTITION: 1
  
```

```

MODE: 5                  GAIN: 2
CHOP: 1                 GRAT_OFF: 4
PTAB_A: 1 1 0 1 4 6    PTAB_B: 1 1 0 1 4 6
ECAL: 0                 OPCAL: 0
R/T: 0                  RECORD: 1
  
```

```

MB_DOWN: 00000          MB_UP: 00000
COMP_FLAG: 1
EST_COMP: 2.0           EST_COMPV: 0.3
RATE_CON1: 00000       RATE_CON2: 65525
NWAVETOT: 68           TLMFMT: LPU
  
```

```

THRESHOLD_SEL: 0
THRESHOLD_VALUES: 000, 000, 000, 000, 000, 000, 000, 000, 000, 000
                  000, 000, 000, 000, 000, 000, 000, 000, 000
  
```

```

WETGID: 0507068001     05 07 068 001
WTGRP_SIZ: 7
  
```

EDIT TABLE

GRATING STEP	HEX MASK	DETECTOR MASK
0	0FC70	0,1111,1100,0111,0000
1	1FDF1	1,1111,1101,1111,0001
2	1F9F0	1,1111,1001,1111,0000
3	0FFF2	0,1111,1111,1111,0010
4	0FFF0	0,1111,1111,1111,0000
5	1FCC1	1,1111,1100,1100,0001
6	00000	0,0000,0000,0000,0000

C9JNGRS01103

```

OAPEL: C9JNGRS01103      ALIAS: C9JNGRS01103
EXT: A                    PSID: DY
SCLK1: 04017548:00:0     SCLK2: 04017551:27:0
SCET1: 97-178/08:24:08.800 SCET2: 97-178/08:27:28.800
TARGET: JUPITER          PARTITION: 1
  
```

```

MODE: 5                   GAIN: 2
CHOP: 1                   GRAT_OFF: 4
PTAB_A: 1 1 0 1 4 6      PTAB_B: 1 1 0 1 4 6
ECAL: 0                   OPCAL: 0
R/T: 0                    RECORD: 1
  
```

```

MB_DOWN: 00000           MB_UP: 00000
COMP_FLAG: 1
EST_COMP: 2.0            EST_COMPV: 0.3
RATE_CON1: 00000        RATE_CON2: 65525
NWAVETOT: 68            TLMFMT: LPU
  
```

```

THRESHOLD_SEL: 0
THRESHOLD_VALUES: 000, 000, 000, 000, 000, 000, 000, 000, 000, 000
                  000, 000, 000, 000, 000, 000, 000, 000, 000
  
```

```

WETGID: 0507068001      05 07 068 001
WTGRP_SIZ: 7
  
```

EDIT TABLE

GRATING STEP	HEX MASK	DETECTOR MASK
0	0FC70	0,1111,1100,0111,0000
1	1FDF1	1,1111,1101,1111,0001
2	1F9F0	1,1111,1001,1111,0000
3	0FFF2	0,1111,1111,1111,0010
4	0FFF0	0,1111,1111,1111,0000
5	1FCC1	1,1111,1100,1100,0001
6	00000	0,0000,0000,0000,0000

C9INCHEMIS01

```

OAPEL:  C9INCHEMIS01          ALIAS:  C9INCHEMIS01
EXT:    A                      PSID:   EA
SCLK1:  04017679:00:0         SCLK2:  04017681:00:0
SCET1:  97-178/10:36:36.133  SCET2:  97-178/10:38:37.466
TARGET: IO                     PARTITION: 1
    
```

```

MODE:    3                      GAIN:    2
CHOP:    1                      GRAT_OFF: 4
PTAB_A:  1 1 0 0 124           PTAB_B:  1 1 0 0 124
ECAL:    0                      OPCAL:   0
R/T:     0                      RECORD:  1
    
```

```

MB_DOWN: 00000                 MB_UP:   00000
COMP_FLAG: 1
EST_COMP: 2.0                  EST_COMPV: 0.3
RATE_CON1: 00000              RATE_CON2: 65525
NWAVETOT: 228                 TLMFMT:  LPU
    
```

```

THRESHOLD_SEL: 0
THRESHOLD_VALUES: 000, 000, 000, 000, 000, 000, 000, 000, 000, 000
                  000, 000, 000, 000, 000, 000, 000, 000, 000
    
```

```

WETGID:  0326228001          03  26  228  001
WTGRP_SIZ: 26
    
```

EDIT TABLE

GRATING STEP	HEX MASK	DETECTOR MASK
0	02580	0,0010,0101,1000,0000
1	1BDFF	1,1011,1101,1111,1111
2	02580	0,0010,0101,1000,0000
3	1BDFF	1,1011,1101,1111,1111
4	02580	0,0010,0101,1000,0000
5	1BDFF	1,1011,1101,1111,1111
6	02580	0,0010,0101,1000,0000
7	1BDFF	1,1011,1101,1111,1111
8	02580	0,0010,0101,1000,0000
9	1BDFF	1,1011,1101,1111,1111
10	02580	0,0010,0101,1000,0000
11	1BDFF	1,1011,1101,1111,1111
12	02580	0,0010,0101,1000,0000
13	1BDFF	1,1011,1101,1111,1111
14	02580	0,0010,0101,1000,0000
15	1BDFF	1,1011,1101,1111,1111
16	02580	0,0010,0101,1000,0000
17	1BDFF	1,1011,1101,1111,1111
18	02580	0,0010,0101,1000,0000
19	1BDFF	1,1011,1101,1111,1111
20	02580	0,0010,0101,1000,0000
21	1BDFF	1,1011,1101,1111,1111
22	02580	0,0010,0101,1000,0000
23	1BDFF	1,1011,1101,1111,1111
24	00000	0,0000,0000,0000,0000
25	00000	0,0000,0000,0000,0000

C9JNFEAFUL01

```

OAPEL: C9JNFEAFUL01      ALIAS: C9JNFEAFUL01
EXT: A                    PSID: EG
SCLK1: 04017901:00:0     SCLK2: 04017905:21:0
SCET1: 97-178/14:21:04.133 SCET2: 97-178/14:25:20.800
TARGET: JUPITER          PARTITION: 1
  
```

```

MODE: 3                   GAIN: 2
CHOP: 1                   GRAT_OFF: 4
PTAB_A: 1 1 0 0 124     PTAB_B: 1 1 0 0 124
ECAL: 0                   OPCAL: 0
R/T: 0                    RECORD: 1
  
```

```

MB_DOWN: 00000           MB_UP: 00000
COMP_FLAG: 1
EST_COMP: 2.0            EST_COMPV: 0.3
RATE_CON1: 00000        RATE_CON2: 65525
NWAVETOT: 253           TLMFMT: LPU
  
```

```

THRESHOLD_SEL: 0
THRESHOLD_VALUES: 000, 000, 000, 000, 000, 000, 000, 000, 000
                  000, 000, 000, 000, 000, 000, 000, 000, 000
  
```

```

WETGID: 0326253001      03 26 253 001
WTGRP_SIZ: 26
  
```

EDIT TABLE

GRATING STEP	HEX MASK	DETECTOR MASK
0	1BD87	1,1011,1101,1000,0111
1	1BD87	1,1011,1101,1000,0111
2	1BD87	1,1011,1101,1000,0111
3	1BD87	1,1011,1101,1000,0111
4	1BD87	1,1011,1101,1000,0111
5	1BD87	1,1011,1101,1000,0111
6	1BD87	1,1011,1101,1000,0111
7	1BD87	1,1011,1101,1000,0111
8	1BD87	1,1011,1101,1000,0111
9	1BD87	1,1011,1101,1000,0111
10	1BD87	1,1011,1101,1000,0111
11	1BD87	1,1011,1101,1000,0111
12	1BD87	1,1011,1101,1000,0111
13	1BD07	1,1011,1101,0000,0111
14	1BD07	1,1011,1101,0000,0111
15	1BD07	1,1011,1101,0000,0111
16	1BD07	1,1011,1101,0000,0111
17	1BD07	1,1011,1101,0000,0111
18	1BD07	1,1011,1101,0000,0111
19	1BD07	1,1011,1101,0000,0111
20	1BD07	1,1011,1101,0000,0111
21	1BD07	1,1011,1101,0000,0111
22	1BD07	1,1011,1101,0000,0111
23	1BD07	1,1011,1101,0000,0111
24	00000	0,0000,0000,0000,0000
25	00000	0,0000,0000,0000,0000

C9JNF EA01504

```

OAPEL:  C9JNF EA01504      ALIAS:  C9JNF EA01504
EXT:    A                  PSID:    EK
SCLK1:  04017973:00:0     SCLK2:  04017976:27:0
SCET1:  97-178/15:33:52.133  SCET2:  97-178/15:37:12.133
TARGET: JUPITER          PARTITION: 1
    
```

```

MODE:    5                GAIN:    2
CHOP:    1                GRAT_OFF: 4
PTAB_A:  1 1 0 1 4 6     PTAB_B:  1 1 0 1 4 6
ECAL:    0                OPCAL:   0
R/T:     0                RECORD:   1
    
```

```

MB_DOWN: 00000           MB_UP:   00000
COMP_FLAG: 1             EST_COMPV: 0.3
EST_COMP:  2.0          RATE_CON2: 65525
RATE_CON1: 00000       TLMFMT:  LPU
NWAVETOT: 68
    
```

```

THRESHOLD_SEL: 0
THRESHOLD_VALUES: 000, 000, 000, 000, 000, 000, 000, 000, 000, 000
                  000, 000, 000, 000, 000, 000, 000, 000, 000
    
```

```

WETGID:  0507068001      05  07  068  001
WTGRP_SIZ: 7
    
```

EDIT TABLE

GRATING STEP	HEX MASK	DETECTOR MASK
0	0FC70	0,1111,1100,0111,0000
1	1FDF1	1,1111,1101,1111,0001
2	1F9F0	1,1111,1001,1111,0000
3	0FFF2	0,1111,1111,1111,0010
4	0FFF0	0,1111,1111,1111,0000
5	1FCC1	1,1111,1100,1100,0001
6	00000	0,0000,0000,0000,0000

C9JNSPOLEM04

```

OAPEL:  C9JNSPOLEM04      ALIAS:  C9JNSPOLEM04
EXT:    A                  PSID:    EL
SCLK1:  04017999:00:0     SCLK2:  04018005:38:0
SCET1:  97-178/16:00:09.466  SCET2:  97-178/16:06:38.800
TARGET: JUPITER          PARTITION: 1
    
```

```

MODE:    5                  GAIN:    2
CHOP:    1                  GRAT_OFF: 4
PTAB_A:  1 1 0 1 4 6      PTAB_B:  1 1 0 1 4 6
ECAL:    0                  OPCAL:   0
R/T:     0                  RECORD:  1
    
```

```

MB_DOWN: 00000            MB_UP:   00000
COMP_FLAG: 1              EST_COMPV: 0.3
EST_COMP: 2.0            RATE_CON2: 65525
RATE_CON1: 00000         TLMFMT:  LPU
NWAVETOT: 68
    
```

```

THRESHOLD_SEL: 0
THRESHOLD_VALUES: 000, 000, 000, 000, 000, 000, 000, 000, 000, 000
                  000, 000, 000, 000, 000, 000, 000, 000, 000
    
```

```

WETGID:  0507068001      05  07  068  001
WTGRP_SIZ: 7
    
```

EDIT TABLE

GRATING STEP	HEX MASK	DETECTOR MASK
0	0FC70	0,1111,1100,0111,0000
1	1FDF1	1,1111,1101,1111,0001
2	1F9F0	1,1111,1001,1111,0000
3	0FFF2	0,1111,1111,1111,0010
4	0FFF0	0,1111,1111,1111,0000
5	1FCC1	1,1111,1100,1100,0001
6	00000	0,0000,0000,0000,0000

C9JNSPOLEM05

```

OAPEL: C9JNSPOLEM05      ALIAS: C9JNSPOLEM05
EXT: A                    PSID: EM
SCLK1: 04018051:00:0     SCLK2: 04018057:38:0
SCET1: 97-178/16:52:44.133 SCET2: 97-178/16:59:13.466
TARGET: JUPITER          PARTITION: 1
  
```

```

MODE: 5                  GAIN: 2
CHOP: 1                  GRAT_OFF: 4
PTAB_A: 1 1 0 1 4 6     PTAB_B: 1 1 0 1 4 6
ECAL: 0                  OPCAL: 0
R/T: 0                   RECORD: 1
  
```

```

MB_DOWN: 00000          MB_UP: 00000
COMP_FLAG: 1
EST_COMP: 2.0           EST_COMPV: 0.3
RATE_CON1: 00000       RATE_CON2: 65525
NWAVETOT: 68           TLMFMT: LPU
  
```

```

THRESHOLD_SEL: 0
THRESHOLD_VALUES: 000, 000, 000, 000, 000, 000, 000, 000, 000, 000
                  000, 000, 000, 000, 000, 000, 000, 000, 000
  
```

```

WETGID: 0507068001     05 07 068 001
WTGRP_SIZ: 7
  
```

EDIT TABLE

GRATING STEP	HEX MASK	DETECTOR MASK
0	0FC70	0,1111,1100,0111,0000
1	1FDF1	1,1111,1101,1111,0001
2	1F9F0	1,1111,1001,1111,0000
3	0FFF2	0,1111,1111,1111,0010
4	0FFF0	0,1111,1111,1111,0000
5	1FCC1	1,1111,1100,1100,0001
6	00000	0,0000,0000,0000,0000

C9JNGRS03901

```

OAPEL: C9JNGRS03901      ALIAS: C9JNGRS03901
EXT: A                    PSID: EN
SCLK1: 04018067:00:0     SCLK2: 04018070:27:0
SCET1: 97-178/17:08:54.800 SCET2: 97-178/17:12:14.800
TARGET: JUPITER          PARTITION: 1
  
```

```

MODE: 5                   GAIN: 2
CHOP: 1                   GRAT_OFF: 4
PTAB_A: 1 1 0 1 4 6      PTAB_B: 1 1 0 1 4 6
ECAL: 0                   OPCAL: 0
R/T: 0                    RECORD: 1
  
```

```

MB_DOWN: 00000           MB_UP: 00000
COMP_FLAG: 1
EST_COMP: 2.0            EST_COMPV: 0.3
RATE_CON1: 00000        RATE_CON2: 65525
NWAVETOT: 68            TLMFMT: LPU
  
```

```

THRESHOLD_SEL: 0
THRESHOLD_VALUES: 000, 000, 000, 000, 000, 000, 000, 000, 000, 000
                   000, 000, 000, 000, 000, 000, 000, 000, 000
  
```

```

WETGID: 0507068001      05 07 068 001
WTGRP_SIZ: 7
  
```

EDIT TABLE

GRATING STEP	HEX MASK	DETECTOR MASK
0	0FC70	0,1111,1100,0111,0000
1	1FDF1	1,1111,1101,1111,0001
2	1F9F0	1,1111,1001,1111,0000
3	0FFF2	0,1111,1111,1111,0010
4	0FFF0	0,1111,1111,1111,0000
5	1FCC1	1,1111,1100,1100,0001
6	00000	0,0000,0000,0000,0000

C9JNSPOLEM06

```

OAPEL: C9JNSPOLEM06      ALIAS: C9JNSPOLEM06
EXT: A                    PSID: EO
SCLK1: 04018128:00:0     SCLK2: 04018134:38:0
SCET1: 97-178/18:10:35.466 SCET2: 97-178/18:17:04.800
TARGET: JUPITER          PARTITION: 1
  
```

```

MODE: 5                  GAIN: 2
CHOP: 1                  GRAT_OFF: 4
PTAB_A: 1 1 0 1 4 6     PTAB_B: 1 1 0 1 4 6
ECAL: 0                  OPCAL: 0
R/T: 0                   RECORD: 1
  
```

```

MB_DOWN: 00000          MB_UP: 00000
COMP_FLAG: 1
EST_COMP: 2.0           EST_COMPV: 0.3
RATE_CON1: 00000       RATE_CON2: 65525
NWAVETOT: 68           TLMFMT: LPU
  
```

```

THRESHOLD_SEL: 0
THRESHOLD_VALUES: 000, 000, 000, 000, 000, 000, 000, 000, 000, 000
                  000, 000, 000, 000, 000, 000, 000, 000, 000
  
```

```

WETGID: 0507068001     05 07 068 001
WTGRP_SIZ: 7
  
```

EDIT TABLE

GRATING STEP	HEX MASK	DETECTOR MASK
0	0FC70	0,1111,1100,0111,0000
1	1FDF1	1,1111,1101,1111,0001
2	1F9F0	1,1111,1001,1111,0000
3	0FFF2	0,1111,1111,1111,0010
4	0FFF0	0,1111,1111,1111,0000
5	1FCC1	1,1111,1100,1100,0001
6	00000	0,0000,0000,0000,0000

C9JNGRSFUL01

```

OAPEL:  C9JNGRSFUL01          ALIAS:  C9JNGRSFUL01
EXT:    A                      PSID:   ET
SCLK1:  04018208:00:0         SCLK2: 04018212:21:0
SCET1:  97-178/19:31:28.800  SCET2:  97-178/19:35:45.466
TARGET: JUPITER              PARTITION: 1
  
```

```

MODE:    3                      GAIN:    2
CHOP:    1                      GRAT_OFF: 4
PTAB_A:  1 1 0 0 124          PTAB_B:  1 1 0 0 124
ECAL:    0                      OPCAL:   0
R/T:     0                      RECORD:  1
  
```

```

MB_DOWN: 00000                MB_UP:   00000
COMP_FLAG: 1
EST_COMP: 2.0                 EST_COMPV: 0.3
RATE_CON1: 00000             RATE_CON2: 65525
NWAVETOT: 360                TLMFMT:  MPW
  
```

```

THRESHOLD_SEL: 0
THRESHOLD_VALUES: 000, 000, 000, 000, 000, 000, 000, 000, 000, 000
                  000, 000, 000, 000, 000, 000, 000, 000, 000
  
```

```

WETGID:  0326360001          03  26  360  001
WTGRP_SIZ: 26
  
```

EDIT TABLE

GRATING STEP	HEX MASK	DETECTOR MASK
0	1BDFF	1,1011,1101,1111,1111
1	1BDFF	1,1011,1101,1111,1111
2	1BDFF	1,1011,1101,1111,1111
3	1BDFF	1,1011,1101,1111,1111
4	1BDFF	1,1011,1101,1111,1111
5	1BDFF	1,1011,1101,1111,1111
6	1BDFF	1,1011,1101,1111,1111
7	1BDFF	1,1011,1101,1111,1111
8	1BDFF	1,1011,1101,1111,1111
9	1BDFF	1,1011,1101,1111,1111
10	1BDFF	1,1011,1101,1111,1111
11	1BDFF	1,1011,1101,1111,1111
12	1BDFF	1,1011,1101,1111,1111
13	1BDFF	1,1011,1101,1111,1111
14	1BDFF	1,1011,1101,1111,1111
15	1BDFF	1,1011,1101,1111,1111
16	1BDFF	1,1011,1101,1111,1111
17	1BDFF	1,1011,1101,1111,1111
18	1BDFF	1,1011,1101,1111,1111
19	1BDFF	1,1011,1101,1111,1111
20	1BDFF	1,1011,1101,1111,1111
21	1BDFF	1,1011,1101,1111,1111
22	1BDFF	1,1011,1101,1111,1111
23	1BDFF	1,1011,1101,1111,1111
24	00000	0,0000,0000,0000,0000
25	00000	0,0000,0000,0000,0000

C9JNGRS03902

```

OAPEL: C9JNGRS03902      ALIAS: C9JNGRS03902
EXT: A                    PSID: EU
SCLK1: 04018246:00:0     SCLK2: 04018249:27:0
SCET1: 97-178/20:09:54.133 SCET2: 97-178/20:13:14.133
TARGET: JUPITER          PARTITION: 1
  
```

```

MODE: 5                   GAIN: 2
CHOP: 1                   GRAT_OFF: 4
PTAB_A: 1 1 0 1 4 6      PTAB_B: 1 1 0 1 4 6
ECAL: 0                   OPCAL: 0
R/T: 0                    RECORD: 1
  
```

```

MB_DOWN: 00000           MB_UP: 00000
COMP_FLAG: 1
EST_COMP: 2.0            EST_COMPV: 0.3
RATE_CON1: 00000         RATE_CON2: 65525
NWAVETOT: 68             TLMFMT: LPU
  
```

```

THRESHOLD_SEL: 0
THRESHOLD_VALUES: 000, 000, 000, 000, 000, 000, 000, 000, 000, 000
                   000, 000, 000, 000, 000, 000, 000, 000, 000
  
```

```

WETGID: 0507068001      05 07 068 001
WTGRP_SIZ: 7
  
```

EDIT TABLE

GRATING STEP	HEX MASK	DETECTOR MASK
0	0FC70	0,1111,1100,0111,0000
1	1FDF1	1,1111,1101,1111,0001
2	1F9F0	1,1111,1001,1111,0000
3	0FFF2	0,1111,1111,1111,0010
4	0FFF0	0,1111,1111,1111,0000
5	1FCC1	1,1111,1100,1100,0001
6	00000	0,0000,0000,0000,0000

C9JNGRS03903

```

OAPEL: C9JNGRS03903      ALIAS: C9JNGRS03903
EXT: A                    PSID: EV
SCLK1: 04018260:00:0     SCLK2: 04018263:27:0
SCET1: 97-178/20:24:03.466 SCET2: 97-178/20:27:23.466
TARGET: JUPITER          PARTITION: 1
  
```

```

MODE: 5                  GAIN: 2
CHOP: 1                  GRAT_OFF: 4
PTAB_A: 1 1 0 1 4 6     PTAB_B: 1 1 0 1 4 6
ECAL: 0                  OPCAL: 0
R/T: 0                   RECORD: 1
  
```

```

MB_DOWN: 00000          MB_UP: 00000
COMP_FLAG: 1
EST_COMP: 2.0           EST_COMPV: 0.3
RATE_CON1: 00000       RATE_CON2: 65525
NWAVETOT: 68           TLMFMT: LPU
  
```

```

THRESHOLD_SEL: 0
THRESHOLD_VALUES: 000, 000, 000, 000, 000, 000, 000, 000, 000, 000
                  000, 000, 000, 000, 000, 000, 000, 000, 000
  
```

```

WETGID: 0507068001     05 07 068 001
WTGRP_SIZ: 7
  
```

EDIT TABLE

GRATING STEP	HEX MASK	DETECTOR MASK
0	0FC70	0,1111,1100,0111,0000
1	1FDF1	1,1111,1101,1111,0001
2	1F9F0	1,1111,1001,1111,0000
3	0FFF2	0,1111,1111,1111,0010
4	0FFF0	0,1111,1111,1111,0000
5	1FCC1	1,1111,1100,1100,0001
6	00000	0,0000,0000,0000,0000

C9JNSPOLEM08

```

OAPEL: C9JNSPOLEM08      ALIAS: C9JNSPOLEM08
EXT: A                    PSID: EX
SCLK1: 04018280:00:0     SCLK2: 04018286:38:0
SCET1: 97-178/20:44:16.800 SCET2: 97-178/20:50:46.133
TARGET: JUPITER          PARTITION: 1
  
```

```

MODE: 5                   GAIN: 2
CHOP: 1                   GRAT_OFF: 4
PTAB_A: 1 1 0 1 4 6      PTAB_B: 1 1 0 1 4 6
ECAL: 0                   OPCAL: 0
R/T: 0                    RECORD: 1
  
```

```

MB_DOWN: 00000           MB_UP: 00000
COMP_FLAG: 1
EST_COMP: 2.0            EST_COMPV: 0.3
RATE_CON1: 00000        RATE_CON2: 65525
NWAVETOT: 68            TLMFMT: LPU
  
```

```

THRESHOLD_SEL: 0
THRESHOLD_VALUES: 000, 000, 000, 000, 000, 000, 000, 000, 000
                   000, 000, 000, 000, 000, 000, 000, 000
  
```

```

WETGID: 0507068001      05 07 068 001
WTGRP_SIZ: 7
  
```

EDIT TABLE

GRATING STEP	HEX MASK	DETECTOR MASK
0	0FC70	0,1111,1100,0111,0000
1	1FDF1	1,1111,1101,1111,0001
2	1F9F0	1,1111,1001,1111,0000
3	0FFF2	0,1111,1111,1111,0010
4	0FFF0	0,1111,1111,1111,0000
5	1FCC1	1,1111,1100,1100,0001
6	00000	0,0000,0000,0000,0000

C9INVOLCAN01

```

OAPEL: C9INVOLCAN01      ALIAS: C9INVOLCAN01
EXT: A                    PSID: EZ
SCLK1: 04018332:00:0     SCLK2: 04018333:49:0
SCET1: 97-178/21:36:51.466 SCET2: 97-178/21:38:24.800
TARGET: IO                PARTITION: 1
  
```

```

MODE: 3                   GAIN: 4
CHOP: 1                   GRAT_OFF: 4
PTAB_A: 1 1 0 0 124      PTAB_B: 1 1 0 0 124
ECAL: 0                   OPCAL: 0
R/T: 0                    RECORD: 1
  
```

```

MB_DOWN: 00000           MB_UP: 00000
COMP_FLAG: 1
EST_COMP: 2.0            EST_COMPV: 0.3
RATE_CON1: 00000        RATE_CON2: 65525
NWAVETOT: 228           TLMFMT: LPU
  
```

```

THRESHOLD_SEL: 0
THRESHOLD_VALUES: 000, 000, 000, 000, 000, 000, 000, 000, 000, 000
                  000, 000, 000, 000, 000, 000, 000, 000, 000
  
```

```

WETGID: 0326228001      03 26 228 001
WTGRP_SIZ: 26
  
```

EDIT TABLE

GRATING STEP	HEX MASK	DETECTOR MASK
0	1A100	1,1010,0001,0000,0000
1	1BDFF	1,1011,1101,1111,1111
2	1A100	1,1010,0001,0000,0000
3	1BDFF	1,1011,1101,1111,1111
4	1A100	1,1010,0001,0000,0000
5	1BDFF	1,1011,1101,1111,1111
6	1A100	1,1010,0001,0000,0000
7	1BDFF	1,1011,1101,1111,1111
8	1A100	1,1010,0001,0000,0000
9	1BDFF	1,1011,1101,1111,1111
10	1A100	1,1010,0001,0000,0000
11	1BDFF	1,1011,1101,1111,1111
12	1A100	1,1010,0001,0000,0000
13	1BDFF	1,1011,1101,1111,1111
14	1A100	1,1010,0001,0000,0000
15	1BDFF	1,1011,1101,1111,1111
16	1A100	1,1010,0001,0000,0000
17	1BDFF	1,1011,1101,1111,1111
18	1A100	1,1010,0001,0000,0000
19	1BDFF	1,1011,1101,1111,1111
20	1A100	1,1010,0001,0000,0000
21	1BDFF	1,1011,1101,1111,1111
22	1A100	1,1010,0001,0000,0000
23	1BDFF	1,1011,1101,1111,1111
24	00000	0,0000,0000,0000,0000
25	00000	0,0000,0000,0000,0000

C9INCHEMIS03

```

OAPEL:  C9INCHEMIS03          ALIAS:  C9INCHEMIS03
EXT:    A                      PSID:   FB
SCLK1:  04018386:00:0         SCLK2:  04018389:27:0
SCET1:  97-178/22:31:27.466  SCET2:  97-178/22:34:47.466
TARGET: IO                    PARTITION: 1
    
```

```

MODE:    3                      GAIN:    2
CHOP:    1                      GRAT_OFF: 4
PTAB_A:  1 1 0 0 124           PTAB_B:  1 1 0 0 124
ECAL:    0                      OPCAL:   0
R/T:     0                      RECORD:  1
    
```

```

MB_DOWN: 00000                 MB_UP:   00000
COMP_FLAG: 1                   EST_COMPV: 0.3
EST_COMP:  2.0                RATE_CON2: 65525
RATE_CON1: 00000              TLMFMT:  LPU
NWAVETOT: 228
    
```

```

THRESHOLD_SEL: 0
THRESHOLD_VALUES: 000, 000, 000, 000, 000, 000, 000, 000, 000, 000
                  000, 000, 000, 000, 000, 000, 000, 000, 000
    
```

```

WETGID:  0326228001          03  26  228  001
WTGRP_SIZ: 26
    
```

EDIT TABLE

GRATING STEP	HEX MASK	DETECTOR MASK
0	02580	0,0010,0101,1000,0000
1	1BDFF	1,1011,1101,1111,1111
2	02580	0,0010,0101,1000,0000
3	1BDFF	1,1011,1101,1111,1111
4	02580	0,0010,0101,1000,0000
5	1BDFF	1,1011,1101,1111,1111
6	02580	0,0010,0101,1000,0000
7	1BDFF	1,1011,1101,1111,1111
8	02580	0,0010,0101,1000,0000
9	1BDFF	1,1011,1101,1111,1111
10	02580	0,0010,0101,1000,0000
11	1BDFF	1,1011,1101,1111,1111
12	02580	0,0010,0101,1000,0000
13	1BDFF	1,1011,1101,1111,1111
14	02580	0,0010,0101,1000,0000
15	1BDFF	1,1011,1101,1111,1111
16	02580	0,0010,0101,1000,0000
17	1BDFF	1,1011,1101,1111,1111
18	02580	0,0010,0101,1000,0000
19	1BDFF	1,1011,1101,1111,1111
20	02580	0,0010,0101,1000,0000
21	1BDFF	1,1011,1101,1111,1111
22	02580	0,0010,0101,1000,0000
23	1BDFF	1,1011,1101,1111,1111
24	00000	0,0000,0000,0000,0000
25	00000	0,0000,0000,0000,0000

C9JNF EA05701

```

OAPEL: C9JNF EA05701      ALIAS: C9JNF EA05701
EXT: A                    PSID: FC
SCLK1: 04018401:00:0     SCLK2: 04018412:26:0
SCET1: 97-178/22:46:37.466 SCET2: 97-178/22:58:02.800
TARGET: JUPITER          PARTITION: 1
  
```

```

MODE: 5                  GAIN: 2
CHOP: 1                  GRAT_OFF: 4
PTAB_A: 1 1 0 1 4 6    PTAB_B: 1 1 0 1 4 6
ECAL: 0                  OPCAL: 0
R/T: 0                   RECORD: 1
  
```

```

MB_DOWN: 00000          MB_UP: 00000
COMP_FLAG: 1
EST_COMP: 2.0           EST_COMPV: 0.3
RATE_CON1: 00000       RATE_CON2: 65525
NWAVETOT: 68           TLMFMT: LPU
  
```

```

THRESHOLD_SEL: 0
THRESHOLD_VALUES: 000, 000, 000, 000, 000, 000, 000, 000, 000, 000
                  000, 000, 000, 000, 000, 000, 000, 000, 000
  
```

```

WETGID: 0507068001     05 07 068 001
WTGRP_SIZ: 7
  
```

EDIT TABLE

GRATING STEP	HEX MASK	DETECTOR MASK
0	0FC70	0,1111,1100,0111,0000
1	1FDF1	1,1111,1101,1111,0001
2	1F9F0	1,1111,1001,1111,0000
3	0FFF2	0,1111,1111,1111,0010
4	0FFF0	0,1111,1111,1111,0000
5	1FCC1	1,1111,1100,1100,0001
6	00000	0,0000,0000,0000,0000

C9JNFEA05702

```

OAPEL: C9JNFEA05702      ALIAS: C9JNFEA05702
EXT: A                    PSID: FF
SCLK1: 04018506:00:0     SCLK2: 04018509:27:0
SCET1: 97-179/00:32:47.466 SCET2: 97-179/00:36:07.466
TARGET: JUPITER          PARTITION: 1
  
```

```

MODE: 5                   GAIN: 2
CHOP: 1                   GRAT_OFF: 4
PTAB_A: 1 1 0 1 4 6     PTAB_B: 1 1 0 1 4 6
ECAL: 0                   OPCAL: 0
R/T: 0                    RECORD: 1
  
```

```

MB_DOWN: 00000           MB_UP: 00000
COMP_FLAG: 1
EST_COMP: 2.0           EST_COMPV: 0.3
RATE_CON1: 00000       RATE_CON2: 65525
NWAVETOT: 68           TLMFMT: LPU
  
```

```

THRESHOLD_SEL: 0
THRESHOLD_VALUES: 000, 000, 000, 000, 000, 000, 000, 000, 000, 000
                  000, 000, 000, 000, 000, 000, 000, 000, 000
  
```

```

WETGID: 0507068001      05 07 068 001
WTGRP_SIZ: 7
  
```

EDIT TABLE

GRATING STEP	HEX MASK	DETECTOR MASK
0	0FC70	0,1111,1100,0111,0000
1	1FDF1	1,1111,1101,1111,0001
2	1F9F0	1,1111,1001,1111,0000
3	0FFF2	0,1111,1111,1111,0010
4	0FFF0	0,1111,1111,1111,0000
5	1FCC1	1,1111,1100,1100,0001
6	00000	0,0000,0000,0000,0000

C9JNFEA05703

```

OAPEL: C9JNFEA05703      ALIAS: C9JNFEA05703
EXT: A                    PSID: FG
SCLK1: 04018546:00:0     SCLK2: 04018549:27:0
SCET1: 97-179/01:13:14.133 SCET2: 97-179/01:16:34.133
TARGET: JUPITER          PARTITION: 1
  
```

```

MODE: 5                   GAIN: 2
CHOP: 1                   GRAT_OFF: 4
PTAB_A: 1 1 0 1 4 6      PTAB_B: 1 1 0 1 4 6
ECAL: 0                   OPCAL: 0
R/T: 0                    RECORD: 1
  
```

```

MB_DOWN: 00000           MB_UP: 00000
COMP_FLAG: 1
EST_COMP: 2.0            EST_COMPV: 0.3
RATE_CON1: 00000        RATE_CON2: 65525
NWAVETOT: 68            TLMFMT: LPU
  
```

```

THRESHOLD_SEL: 0
THRESHOLD_VALUES: 000, 000, 000, 000, 000, 000, 000, 000, 000
                  000, 000, 000, 000, 000, 000, 000, 000
  
```

```

WETGID: 0507068001      05 07 068 001
WTGRP_SIZ: 7
  
```

EDIT TABLE

GRATING STEP	HEX MASK	DETECTOR MASK
0	0FC70	0,1111,1100,0111,0000
1	1FDF1	1,1111,1101,1111,0001
2	1F9F0	1,1111,1001,1111,0000
3	0FFF2	0,1111,1111,1111,0010
4	0FFF0	0,1111,1111,1111,0000
5	1FCC1	1,1111,1100,1100,0001
6	00000	0,0000,0000,0000,0000

C9JNFEA05704

```

OAPEL: C9JNFEA05704      ALIAS: C9JNFEA05704
EXT: A                    PSID: FH
SCLK1: 04018594:84:0     SCLK2: 04018597:27:0
SCET1: 97-179/02:02:42.800 SCET2: 97-179/02:05:06.133
TARGET: JUPITER          PARTITION: 1
  
```

```

MODE: 5                   GAIN: 2
CHOP: 1                   GRAT_OFF: 4
PTAB_A: 1 1 0 1 4 6      PTAB_B: 1 1 0 1 4 6
ECAL: 0                   OPCAL: 0
R/T: 0                    RECORD: 1
  
```

```

MB_DOWN: 00000           MB_UP: 00000
COMP_FLAG: 1
EST_COMP: 2.0           EST_COMPV: 0.3
RATE_CON1: 00000        RATE_CON2: 65525
NWAVETOT: 68           TLMFMT: LPU
  
```

```

THRESHOLD_SEL: 0
THRESHOLD_VALUES: 000, 000, 000, 000, 000, 000, 000, 000, 000, 000
                  000, 000, 000, 000, 000, 000, 000, 000, 000
  
```

```

WETGID: 0507068001      05 07 068 001
WTGRP_SIZ: 7
  
```

EDIT TABLE

GRATING STEP	HEX MASK	DETECTOR MASK
0	0FC70	0,1111,1100,0111,0000
1	1FDF1	1,1111,1101,1111,0001
2	1F9F0	1,1111,1001,1111,0000
3	0FFF2	0,1111,1111,1111,0010
4	0FFF0	0,1111,1111,1111,0000
5	1FCC1	1,1111,1100,1100,0001
6	00000	0,0000,0000,0000,0000

C9INHRSPEC01

```

OAPEL:  C9INHRSPEC01      ALIAS:  C9INHRSPEC01
EXT:    A                  PSID:    FI
SCLK1:  04018624:00:0     SCLK2:  04018626:44:0
SCET1:  97-179/02:32:06.133  SCET2:  97-179/02:34:37.466
TARGET: IO                 PARTITION: 1
    
```

```

MODE:    3                  GAIN:    2
CHOP:    1                  GRAT_OFF: 4
PTAB_A:  1 1 0 0 124      PTAB_B:  1 1 0 0 124
ECAL:    0                  OPCAL:   0
R/T:     0                  RECORD:   1
    
```

```

MB_DOWN: 00000             MB_UP:    00000
COMP_FLAG: 1
EST_COMP: 2.0              EST_COMPV: 0.3
RATE_CON1: 00000          RATE_CON2: 65525
NWAVETOT: 360             TLMFMT:   MPW
    
```

```

THRESHOLD_SEL: 2
THRESHOLD_VALUES: 030, 030, 030, 000, 030, 029, 028, 028, 029
                  028, 032, 034, 031, 031, 032, 030, 029
    
```

```

WETGID:  0326360001      03 26 360 001
WTGRP_SIZ: 26
    
```

EDIT TABLE

GRATING STEP	HEX MASK	DETECTOR MASK
0	1BDFF	1,1011,1101,1111,1111
1	1BDFF	1,1011,1101,1111,1111
2	1BDFF	1,1011,1101,1111,1111
3	1BDFF	1,1011,1101,1111,1111
4	1BDFF	1,1011,1101,1111,1111
5	1BDFF	1,1011,1101,1111,1111
6	1BDFF	1,1011,1101,1111,1111
7	1BDFF	1,1011,1101,1111,1111
8	1BDFF	1,1011,1101,1111,1111
9	1BDFF	1,1011,1101,1111,1111
10	1BDFF	1,1011,1101,1111,1111
11	1BDFF	1,1011,1101,1111,1111
12	1BDFF	1,1011,1101,1111,1111
13	1BDFF	1,1011,1101,1111,1111
14	1BDFF	1,1011,1101,1111,1111
15	1BDFF	1,1011,1101,1111,1111
16	1BDFF	1,1011,1101,1111,1111
17	1BDFF	1,1011,1101,1111,1111
18	1BDFF	1,1011,1101,1111,1111
19	1BDFF	1,1011,1101,1111,1111
20	1BDFF	1,1011,1101,1111,1111
21	1BDFF	1,1011,1101,1111,1111
22	1BDFF	1,1011,1101,1111,1111
23	1BDFF	1,1011,1101,1111,1111
24	00000	0,0000,0000,0000,0000
25	00000	0,0000,0000,0000,0000

C9INNSPEC_01

```

OAPEL:  C9INNSPEC_01          ALIAS:  C9INNSPEC_01
EXT:    A                     PSID:    FJ
SCLK1:  04018637:00:0        SCLK2:  04018639:00:0
SCET1:  97-179/02:45:14.800 SCET2:  97-179/02:47:16.133
TARGET: IO                    PARTITION: 1
    
```

```

MODE:    3                     GAIN:    4
CHOP:    1                     GRAT_OFF: 4
PTAB_A:  1 1 0 0 124          PTAB_B:  1 1 0 0 124
ECAL:    0                     OPCAL:   0
R/T:     0                     RECORD:  1
    
```

```

MB_DOWN: 00000                MB_UP:   00000
COMP_FLAG: 1
EST_COMP: 2.0                 EST_COMPV: 0.3
RATE_CON1: 00000             RATE_CON2: 65525
NWAVETOT: 360                TLMFMT:  MPW
    
```

```

THRESHOLD_SEL: 2
THRESHOLD_VALUES: 030, 030, 030, 000, 030, 029, 028, 028, 029
                  028, 032, 034, 031, 031, 032, 030, 029
    
```

```

WETGID:  0326360001          03  26  360  001
WTGRP_SIZ: 26
    
```

EDIT TABLE

GRATING STEP	HEX MASK	DETECTOR MASK
0	1BDFF	1,1011,1101,1111,1111
1	1BDFF	1,1011,1101,1111,1111
2	1BDFF	1,1011,1101,1111,1111
3	1BDFF	1,1011,1101,1111,1111
4	1BDFF	1,1011,1101,1111,1111
5	1BDFF	1,1011,1101,1111,1111
6	1BDFF	1,1011,1101,1111,1111
7	1BDFF	1,1011,1101,1111,1111
8	1BDFF	1,1011,1101,1111,1111
9	1BDFF	1,1011,1101,1111,1111
10	1BDFF	1,1011,1101,1111,1111
11	1BDFF	1,1011,1101,1111,1111
12	1BDFF	1,1011,1101,1111,1111
13	1BDFF	1,1011,1101,1111,1111
14	1BDFF	1,1011,1101,1111,1111
15	1BDFF	1,1011,1101,1111,1111
16	1BDFF	1,1011,1101,1111,1111
17	1BDFF	1,1011,1101,1111,1111
18	1BDFF	1,1011,1101,1111,1111
19	1BDFF	1,1011,1101,1111,1111
20	1BDFF	1,1011,1101,1111,1111
21	1BDFF	1,1011,1101,1111,1111
22	1BDFF	1,1011,1101,1111,1111
23	1BDFF	1,1011,1101,1111,1111
24	00000	0,0000,0000,0000,0000
25	00000	0,0000,0000,0000,0000

C9JNGRS07501

```

OAPEL: C9JNGRS07501      ALIAS: C9JNGRS07501
EXT: A                    PSID: FK
SCLK1: 04018754:00:0     SCLK2: 04018757:27:0
SCET1: 97-179/04:43:32.733 SCET2: 97-179/04:46:52.733
TARGET: JUPITER          PARTITION: 1
  
```

```

MODE: 5                   GAIN: 2
CHOP: 1                   GRAT_OFF: 4
PTAB_A: 1 1 0 1 4 6      PTAB_B: 1 1 0 1 4 6
ECAL: 0                   OPCAL: 0
R/T: 0                    RECORD: 1
  
```

```

MB_DOWN: 00000           MB_UP: 00000
COMP_FLAG: 1
EST_COMP: 2.0            EST_COMPV: 0.3
RATE_CON1: 00000        RATE_CON2: 65525
NWAVETOT: 40            TLMFMT: LPU
  
```

```

THRESHOLD_SEL: 0
THRESHOLD_VALUES: 000, 000, 000, 000, 000, 000, 000, 000, 000
                  000, 000, 000, 000, 000, 000, 000, 000
  
```

```

WETGID: 0507040001      05 07 040 001
WTGRP_SIZ: 7
  
```

EDIT TABLE

GRATING STEP	HEX MASK	DETECTOR MASK
0	00400	0,0000,0100,0000,0000
1	1DD80	1,1101,1101,1000,0000
2	1BD80	1,1011,1101,1000,0000
3	1BD80	1,1011,1101,1000,0000
4	1BD80	1,1011,1101,1000,0000
5	1B980	1,1011,1001,1000,0000
6	00000	0,0000,0000,0000,0000

C9JNGRS07502

```

OAPEL:  C9JNGRS07502          ALIAS:  C9JNGRS07502
EXT:    A                    PSID:    FL
SCLK1:  04018808:00:0        SCLK2:  04018811:26:0
SCET1:  97-179/05:38:08.733 SCET2:  97-179/05:41:28.733
TARGET: JUPITER              PARTITION: 1
  
```

```

MODE:    5                    GAIN:    2
CHOP:    1                    GRAT_OFF: 4
PTAB_A:  1 1 0 1 4 6         PTAB_B:  1 1 0 1 4 6
ECAL:    0                    OPCAL:   0
R/T:     0                    RECORD:   1
  
```

```

MB_DOWN: 00000              MB_UP:   00000
COMP_FLAG: 1                EST_COMPV: 0.3
EST_COMP:  2.0              RATE_CON2: 65525
RATE_CON1: 00000           TLMFMT:  LPU
NWAVETOT:  40
  
```

```

THRESHOLD_SEL: 0
THRESHOLD_VALUES: 000, 000, 000, 000, 000, 000, 000, 000, 000, 000
                  000, 000, 000, 000, 000, 000, 000, 000, 000
  
```

```

WETGID:  0507040001        05  07  040  001
WTGRP_SIZ:  7
  
```

EDIT TABLE

GRATING STEP	HEX MASK	DETECTOR MASK
0	00400	0,0000,0100,0000,0000
1	1DD80	1,1101,1101,1000,0000
2	1BD80	1,1011,1101,1000,0000
3	1BD80	1,1011,1101,1000,0000
4	1BD80	1,1011,1101,1000,0000
5	1B980	1,1011,1001,1000,0000
6	00000	0,0000,0000,0000,0000

C9JNGRS07504

```

OAPEL: C9JNGRS07504      ALIAS: C9JNGRS07504
EXT: A                    PSID: FN
SCLK1: 04018872:00:0     SCLK2: 04018875:27:0
SCET1: 97-179/06:42:51.400 SCET2: 97-179/06:46:11.400
TARGET: JUPITER          PARTITION: 1
  
```

```

MODE: 5                   GAIN: 2
CHOP: 1                   GRAT_OFF: 4
PTAB_A: 1 1 0 1 4 6      PTAB_B: 1 1 0 1 4 6
ECAL: 0                   OPCAL: 0
R/T: 0                    RECORD: 1
  
```

```

MB_DOWN: 00000           MB_UP: 00000
COMP_FLAG: 1
EST_COMP: 2.0            EST_COMPV: 0.3
RATE_CON1: 00000        RATE_CON2: 65525
NWAVETOT: 40            TLMFMT: LPU
  
```

```

THRESHOLD_SEL: 0
THRESHOLD_VALUES: 000, 000, 000, 000, 000, 000, 000, 000, 000, 000
                  000, 000, 000, 000, 000, 000, 000, 000, 000
  
```

```

WETGID: 0507040001      05 07 040 001
WTGRP_SIZ: 7
  
```

EDIT TABLE

GRATING STEP	HEX MASK	DETECTOR MASK
0	00400	0,0000,0100,0000,0000
1	1DD80	1,1101,1101,1000,0000
2	1BD80	1,1011,1101,1000,0000
3	1BD80	1,1011,1101,1000,0000
4	1BD80	1,1011,1101,1000,0000
5	1B980	1,1011,1001,1000,0000
6	00000	0,0000,0000,0000,0000

C9INCHEMIS04

```

OAPEL:  C9INCHEMIS04          ALIAS:  C9INCHEMIS04
EXT:    A                      PSID:   FO
SCLK1:  04018887:00:0         SCLK2:  04018891:86:0
SCET1:  97-179/06:58:01.400  SCET2:  97-179/07:03:01.400
TARGET: IO                     PARTITION: 1
    
```

```

MODE:    3                      GAIN:    2
CHOP:    1                      GRAT_OFF: 4
PTAB_A:  1 1 0 0 124          PTAB_B:  1 1 0 0 124
ECAL:    0                      OPCAL:   0
R/T:     0                      RECORD:  1
    
```

```

MB_DOWN: 00000                MB_UP:   00000
COMP_FLAG: 1                   EST_COMPV: 0.3
EST_COMP:  2.0                 RATE_CON2: 65525
RATE_CON1: 00000              TLMFMT:  LPU
NWAVETOT: 228
    
```

```

THRESHOLD_SEL: 2
THRESHOLD_VALUES: 030, 030, 030, 000, 030, 029, 028, 028, 029
                  028, 032, 034, 031, 031, 032, 030, 029
    
```

```

WETGID:  0326228001          03  26  228  001
WTGRP_SIZ: 26
    
```

EDIT TABLE

GRATING STEP	HEX MASK	DETECTOR MASK
0	02580	0,0010,0101,1000,0000
1	1BDFF	1,1011,1101,1111,1111
2	02580	0,0010,0101,1000,0000
3	1BDFF	1,1011,1101,1111,1111
4	02580	0,0010,0101,1000,0000
5	1BDFF	1,1011,1101,1111,1111
6	02580	0,0010,0101,1000,0000
7	1BDFF	1,1011,1101,1111,1111
8	02580	0,0010,0101,1000,0000
9	1BDFF	1,1011,1101,1111,1111
10	02580	0,0010,0101,1000,0000
11	1BDFF	1,1011,1101,1111,1111
12	02580	0,0010,0101,1000,0000
13	1BDFF	1,1011,1101,1111,1111
14	02580	0,0010,0101,1000,0000
15	1BDFF	1,1011,1101,1111,1111
16	02580	0,0010,0101,1000,0000
17	1BDFF	1,1011,1101,1111,1111
18	02580	0,0010,0101,1000,0000
19	1BDFF	1,1011,1101,1111,1111
20	02580	0,0010,0101,1000,0000
21	1BDFF	1,1011,1101,1111,1111
22	02580	0,0010,0101,1000,0000
23	1BDFF	1,1011,1101,1111,1111
24	00000	0,0000,0000,0000,0000
25	00000	0,0000,0000,0000,0000

C9JNGRS53M01

```

OAPEL:  C9JNGRS53M01          ALIAS:  C9JNGRS53M01
EXT:    A                      PSID:    FP
SCLK1:  04018902:00:0         SCLK2:  04018911:00:0
SCET1:  97-179/07:13:11.400  SCET2:  97-179/07:22:17.400
TARGET: JUPITER              PARTITION: 1
    
```

```

MODE:    3                      GAIN:    4
CHOP:    1                      GRAT_OFF: 4
PTAB_A:  1 1 0 0 124          PTAB_B:  1 1 0 0 124
ECAL:    0                      OPCAL:   0
R/T:     0                      RECORD:  1
    
```

```

MB_DOWN: 00000                MB_UP:   00000
COMP_FLAG: 1
EST_COMP: 2.0                 EST_COMPV: 0.3
RATE_CON1: 00000             RATE_CON2: 65525
NWAVETOT: 157                TLMFMT:  LPU
    
```

```

THRESHOLD_SEL: 0
THRESHOLD_VALUES: 000, 000, 000, 000, 000, 000, 000, 000, 000, 000
                  000, 000, 000, 000, 000, 000, 000, 000, 000
    
```

```

WETGID:  0326157001          03  26  157  001
WTGRP_SIZ: 26
    
```

EDIT TABLE

GRATING STEP	HEX MASK	DETECTOR MASK
0	01183	0,0001,0001,1000,0011
1	0118B	0,0001,0001,1000,1011
2	0118F	0,0001,0001,1000,1111
3	0118F	0,0001,0001,1000,1111
4	0118F	0,0001,0001,1000,1111
5	0118F	0,0001,0001,1000,1111
6	0118F	0,0001,0001,1000,1111
7	0018F	0,0000,0001,1000,1111
8	0018F	0,0000,0001,1000,1111
9	0018F	0,0000,0001,1000,1111
10	0018F	0,0000,0001,1000,1111
11	0018F	0,0000,0001,1000,1111
12	0018F	0,0000,0001,1000,1111
13	0018F	0,0000,0001,1000,1111
14	0018F	0,0000,0001,1000,1111
15	0018F	0,0000,0001,1000,1111
16	0018F	0,0000,0001,1000,1111
17	0019F	0,0000,0001,1001,1111
18	0019F	0,0000,0001,1001,1111
19	0219F	0,0010,0001,1001,1111
20	0219F	0,0010,0001,1001,1111
21	0211F	0,0010,0001,0001,1111
22	0211F	0,0010,0001,0001,1111
23	0211F	0,0010,0001,0001,1111
24	00000	0,0000,0000,0000,0000
25	00000	0,0000,0000,0000,0000

C9JNGRS5UM01

```

OAPEL:  C9JNGRS5UM01      ALIAS:  C9JNGRS5UM01
EXT:    A                  PSID:    FR
SCLK1:  04018954:00:0     SCLK2:  04018963:00:0
SCET1:  97-179/08:05:46.066  SCET2:  97-179/08:14:52.066
TARGET: JUPITER          PARTITION: 1
    
```

```

MODE:    3                  GAIN:    4
CHOP:    1                  GRAT_OFF: 4
PTAB_A:  1 1 0 0 124      PTAB_B:  1 1 0 0 124
ECAL:    0                  OPCAL:   0
R/T:     0                  RECORD:  1
    
```

```

MB_DOWN: 00000            MB_UP:   00000
COMP_FLAG: 1              EST_COMPV: 0.3
EST_COMP:  2.0           RATE_CON2: 65525
RATE_CON1: 00000        TLMFMT:  LPU
NWAVETOT: 157
    
```

```

THRESHOLD_SEL: 0
THRESHOLD_VALUES: 000, 000, 000, 000, 000, 000, 000, 000, 000, 000
                  000, 000, 000, 000, 000, 000, 000, 000, 000
    
```

```

WETGID:  0326157001      03  26  157  001
WTGRP_SIZ: 26
    
```

EDIT TABLE

GRATING STEP	HEX MASK	DETECTOR MASK
0	01183	0,0001,0001,1000,0011
1	0118B	0,0001,0001,1000,1011
2	0118F	0,0001,0001,1000,1111
3	0118F	0,0001,0001,1000,1111
4	0118F	0,0001,0001,1000,1111
5	0118F	0,0001,0001,1000,1111
6	0118F	0,0001,0001,1000,1111
7	0018F	0,0000,0001,1000,1111
8	0018F	0,0000,0001,1000,1111
9	0018F	0,0000,0001,1000,1111
10	0018F	0,0000,0001,1000,1111
11	0018F	0,0000,0001,1000,1111
12	0018F	0,0000,0001,1000,1111
13	0018F	0,0000,0001,1000,1111
14	0018F	0,0000,0001,1000,1111
15	0018F	0,0000,0001,1000,1111
16	0018F	0,0000,0001,1000,1111
17	0019F	0,0000,0001,1001,1111
18	0019F	0,0000,0001,1001,1111
19	0219F	0,0010,0001,1001,1111
20	0219F	0,0010,0001,1001,1111
21	0211F	0,0010,0001,0001,1111
22	0211F	0,0010,0001,0001,1111
23	0211F	0,0010,0001,0001,1111
24	00000	0,0000,0000,0000,0000
25	00000	0,0000,0000,0000,0000

C9JNAURMAP03

```

OAPEL:  C9JNAURMAP03          ALIAS:  C9JNAURMAP03
EXT:    R                      PSID:    LE
SCLK1:  04018988:00:0         SCLK2:  04018990:12:0
SCET1:  1997-179/08:40:08.733 SCET2:  1997-179/08:42:18.066
TARGET: JUPITER              PARTITION: 1
    
```

```

MODE:    3                      GAIN:    4
CHOP:    1                      GRAT_OFF: 4
PTAB_A:  1 1 0 0 124          PTAB_B:  1 1 0 0 124
ECAL:    0                      OPCAL:   0
R/T:     1                      RECORD:  0
    
```

```

MB_DOWN: 11011                MB_UP:   11011
COMP_FLAG: 0
EST_COMP: 0.0                 EST_COMPV: 0.0
RATE_CON1: 00000             RATE_CON2: 00000
NWAVETOT: 408                TLMFMT:  RT
    
```

```

THRESHOLD_SEL: 0
THRESHOLD_VALUES: 000, 000, 000, 000, 000, 000, 000, 000, 000, 000
                  000, 000, 000, 000, 000, 000, 000, 000, 000
    
```

```

WETGID:  0301408000          03  01  408  000
WTGRP_SIZ:  2
    
```

EDIT TABLE

GRATING STEP	HEX MASK	DETECTOR MASK
0	1FFFF	1,1111,1111,1111,1111
1	1FFFF	1,1111,1111,1111,1111
2	1FFFF	1,1111,1111,1111,1111
3	1FFFF	1,1111,1111,1111,1111
4	1FFFF	1,1111,1111,1111,1111
5	1FFFF	1,1111,1111,1111,1111
6	1FFFF	1,1111,1111,1111,1111
7	1FFFF	1,1111,1111,1111,1111
8	1FFFF	1,1111,1111,1111,1111
9	1FFFF	1,1111,1111,1111,1111
10	1FFFF	1,1111,1111,1111,1111
11	1FFFF	1,1111,1111,1111,1111
12	1FFFF	1,1111,1111,1111,1111
13	1FFFF	1,1111,1111,1111,1111
14	1FFFF	1,1111,1111,1111,1111
15	1FFFF	1,1111,1111,1111,1111
16	1FFFF	1,1111,1111,1111,1111
17	1FFFF	1,1111,1111,1111,1111
18	1FFFF	1,1111,1111,1111,1111
19	1FFFF	1,1111,1111,1111,1111
20	1FFFF	1,1111,1111,1111,1111
21	1FFFF	1,1111,1111,1111,1111
22	1FFFF	1,1111,1111,1111,1111
23	1FFFF	1,1111,1111,1111,1111
24	00000	0,0000,0000,0000,0000
25	00000	0,0000,0000,0000,0000

C9JNFEA08501

```

OAPEL: C9JNFEA08501      ALIAS: C9JNFEA08501
EXT: A                   PSID: FS
SCLK1: 04019053:00:0     SCLK2: 04019056:27:0
SCET1: 97-179/09:45:52.066 SCET2: 97-179/09:49:12.066
TARGET: JUPITER          PARTITION: 1
  
```

```

MODE: 5                  GAIN: 2
CHOP: 1                  GRAT_OFF: 4
PTAB_A: 1 1 0 1 4 6     PTAB_B: 1 1 0 1 4 6
ECAL: 0                  OPCAL: 0
R/T: 0                   RECORD: 1
  
```

```

MB_DOWN: 00000          MB_UP: 00000
COMP_FLAG: 1
EST_COMP: 2.0           EST_COMPV: 0.3
RATE_CON1: 00000       RATE_CON2: 65525
NWAVETOT: 40           TLMFMT: LPU
  
```

```

THRESHOLD_SEL: 0
THRESHOLD_VALUES: 000, 000, 000, 000, 000, 000, 000, 000, 000, 000
                  000, 000, 000, 000, 000, 000, 000, 000, 000
  
```

```

WETGID: 0507040001     05 07 040 001
WTGRP_SIZ: 7
  
```

EDIT TABLE

GRATING STEP	HEX MASK	DETECTOR MASK
0	00400	0,0000,0100,0000,0000
1	1DD80	1,1101,1101,1000,0000
2	1BD80	1,1011,1101,1000,0000
3	1BD80	1,1011,1101,1000,0000
4	1BD80	1,1011,1101,1000,0000
5	1B980	1,1011,1001,1000,0000
6	00000	0,0000,0000,0000,0000

C9JNTHRCYL03

```

OAPEL:  C9JNTHRCYL03          ALIAS:  C9JNTHRCYL03
EXT:    A                      PSID:   FT
SCLK1:  04019061:00:0         SCLK2:  04019080:53:0
SCET1:   97-179/09:53:57.400  SCET2:   97-179/10:13:45.400
TARGET: JUPITER                PARTITION: 1
    
```

```

MODE:    3                      GAIN:    4
CHOP:    1                      GRAT_OFF: 4
PTAB_A:  1 1 0 0 124          PTAB_B:  1 1 0 0 124
ECAL:    0                      OPCAL:   0
R/T:     0                      RECORD:  1
    
```

```

MB_DOWN: 00000                MB_UP:   00000
COMP_FLAG: 1
EST_COMP: 2.0                 EST_COMPV: 0.3
RATE_CON1: 00000             RATE_CON2: 65525
NWAVETOT: 127                TLMFMT:  LPU
    
```

```

THRESHOLD_SEL: 0
THRESHOLD_VALUES: 000, 000, 000, 000, 000, 000, 000, 000, 000, 000
                  000, 000, 000, 000, 000, 000, 000, 000, 000
    
```

```

WETGID:  0326127001          03  26  127  001
WTGRP_SIZ: 26
    
```

EDIT TABLE

GRATING STEP	HEX MASK	DETECTOR MASK
0	00187	0,0000,0001,1000,0111
1	00187	0,0000,0001,1000,0111
2	00187	0,0000,0001,1000,0111
3	00187	0,0000,0001,1000,0111
4	00187	0,0000,0001,1000,0111
5	00187	0,0000,0001,1000,0111
6	00187	0,0000,0001,1000,0111
7	00187	0,0000,0001,1000,0111
8	00187	0,0000,0001,1000,0111
9	00187	0,0000,0001,1000,0111
10	00187	0,0000,0001,1000,0111
11	00187	0,0000,0001,1000,0111
12	00187	0,0000,0001,1000,0111
13	00187	0,0000,0001,1000,0111
14	00187	0,0000,0001,1000,0111
15	00187	0,0000,0001,1000,0111
16	00187	0,0000,0001,1000,0111
17	0018F	0,0000,0001,1000,1111
18	0018F	0,0000,0001,1000,1111
19	0018F	0,0000,0001,1000,1111
20	0018F	0,0000,0001,1000,1111
21	0018F	0,0000,0001,1000,1111
22	0018F	0,0000,0001,1000,1111
23	0018F	0,0000,0001,1000,1111
24	00000	0,0000,0000,0000,0000
25	00000	0,0000,0000,0000,0000

C9JNFEA08502

```

OAPEL: C9JNFEA08502      ALIAS: C9JNFEA08502
EXT: A                    PSID: FV
SCLK1: 04019097:00:0     SCLK2: 04019100:27:0
SCET1: 97-179/10:30:21.400 SCET2: 97-179/10:33:41.400
TARGET: JUPITER          PARTITION: 1
  
```

```

MODE: 5                   GAIN: 2
CHOP: 1                   GRAT_OFF: 4
PTAB_A: 1 1 0 1 4 6      PTAB_B: 1 1 0 1 4 6
ECAL: 0                   OPCAL: 0
R/T: 0                    RECORD: 1
  
```

```

MB_DOWN: 00000           MB_UP: 00000
COMP_FLAG: 1
EST_COMP: 2.0            EST_COMPV: 0.3
RATE_CON1: 00000         RATE_CON2: 65525
NWAVETOT: 40             TLMFMT: LPU
  
```

```

THRESHOLD_SEL: 0
THRESHOLD_VALUES: 000, 000, 000, 000, 000, 000, 000, 000, 000, 000
                  000, 000, 000, 000, 000, 000, 000, 000, 000
  
```

```

WETGID: 0507040001      05 07 040 001
WTGRP_SIZ: 7
  
```

EDIT TABLE

GRATING STEP	HEX MASK	DETECTOR MASK
0	00400	0,0000,0100,0000,0000
1	1DD80	1,1101,1101,1000,0000
2	1BD80	1,1011,1101,1000,0000
3	1BD80	1,1011,1101,1000,0000
4	1BD80	1,1011,1101,1000,0000
5	1B980	1,1011,1001,1000,0000
6	00000	0,0000,0000,0000,0000

C9JNTHRCYL04

```

OAPEL:  C9JNTHRCYL04          ALIAS:  C9JNTHRCYL04
EXT:    A                      PSID:   FW
SCLK1:  04019105:00:0         SCLK2:  04019124:53:0
SCET1:  97-179/10:38:26.733  SCET2:  97-179/10:58:14.733
TARGET: JUPITER              PARTITION: 1
  
```

```

MODE:    3                      GAIN:    4
CHOP:    1                      GRAT_OFF: 4
PTAB_A:  1 1 0 0 124          PTAB_B:  1 1 0 0 124
ECAL:    0                      OPCAL:   0
R/T:     0                      RECORD:  1
  
```

```

MB_DOWN: 00000                MB_UP:   00000
COMP_FLAG: 1                  EST_COMPV: 0.3
EST_COMP:  2.0                RATE_CON2: 65525
RATE_CON1: 00000              TLMFMT:  LPU
NWAVETOT: 127
  
```

```

THRESHOLD_SEL: 0
THRESHOLD_VALUES: 000, 000, 000, 000, 000, 000, 000, 000, 000, 000
                  000, 000, 000, 000, 000, 000, 000, 000, 000
  
```

```

WETGID:  0326127001          03  26  127  001
WTGRP_SIZ: 26
  
```

EDIT TABLE

GRATING STEP	HEX MASK	DETECTOR MASK
0	00187	0,0000,0001,1000,0111
1	00187	0,0000,0001,1000,0111
2	00187	0,0000,0001,1000,0111
3	00187	0,0000,0001,1000,0111
4	00187	0,0000,0001,1000,0111
5	00187	0,0000,0001,1000,0111
6	00187	0,0000,0001,1000,0111
7	00187	0,0000,0001,1000,0111
8	00187	0,0000,0001,1000,0111
9	00187	0,0000,0001,1000,0111
10	00187	0,0000,0001,1000,0111
11	00187	0,0000,0001,1000,0111
12	00187	0,0000,0001,1000,0111
13	00187	0,0000,0001,1000,0111
14	00187	0,0000,0001,1000,0111
15	00187	0,0000,0001,1000,0111
16	00187	0,0000,0001,1000,0111
17	0018F	0,0000,0001,1000,1111
18	0018F	0,0000,0001,1000,1111
19	0018F	0,0000,0001,1000,1111
20	0018F	0,0000,0001,1000,1111
21	0018F	0,0000,0001,1000,1111
22	0018F	0,0000,0001,1000,1111
23	0018F	0,0000,0001,1000,1111
24	00000	0,0000,0000,0000,0000
25	00000	0,0000,0000,0000,0000

C9JNFEA08503

```

OAPEL: C9JNFEA08503      ALIAS: C9JNFEA08503
EXT: A                    PSID: FY
SCLK1: 04019146:00:0     SCLK2: 04019149:27:0
SCET1: 97-179/11:19:54.066 SCET2: 97-179/11:23:14.066
TARGET: JUPITER          PARTITION: 1
  
```

```

MODE: 5                   GAIN: 2
CHOP: 1                   GRAT_OFF: 4
PTAB_A: 1 1 0 1 4 6      PTAB_B: 1 1 0 1 4 6
ECAL: 0                   OPCAL: 0
R/T: 0                    RECORD: 1
  
```

```

MB_DOWN: 00000           MB_UP: 00000
COMP_FLAG: 1
EST_COMP: 2.0            EST_COMPV: 0.3
RATE_CON1: 00000        RATE_CON2: 65525
NWAVETOT: 40            TLMFMT: LPU
  
```

```

THRESHOLD_SEL: 0
THRESHOLD_VALUES: 000, 000, 000, 000, 000, 000, 000, 000, 000, 000
                  000, 000, 000, 000, 000, 000, 000, 000, 000
  
```

```

WETGID: 0507040001      05 07 040 001
WTGRP_SIZ: 7
  
```

EDIT TABLE

GRATING STEP	HEX MASK	DETECTOR MASK
0	00400	0,0000,0100,0000,0000
1	1DD80	1,1101,1101,1000,0000
2	1BD80	1,1011,1101,1000,0000
3	1BD80	1,1011,1101,1000,0000
4	1BD80	1,1011,1101,1000,0000
5	1B980	1,1011,1001,1000,0000
6	00000	0,0000,0000,0000,0000

C9JNF EA08504

```

OAPEL: C9JNF EA08504      ALIAS: C9JNF EA08504
EXT: A                    PSID: FZ
SCLK1: 04019164:00:0     SCLK2: 04019167:26:0
SCET1: 97-179/11:38:06.066 SCET2: 97-179/11:41:26.066
TARGET: JUPITER          PARTITION: 1
  
```

```

MODE: 5                  GAIN: 2
CHOP: 1                 GRAT_OFF: 4
PTAB_A: 1 1 0 1 4 6    PTAB_B: 1 1 0 1 4 6
ECAL: 0                 OPCAL: 0
R/T: 0                  RECORD: 1
  
```

```

MB_DOWN: 00000          MB_UP: 00000
COMP_FLAG: 1
EST_COMP: 2.0          EST_COMPV: 0.3
RATE_CON1: 00000      RATE_CON2: 65525
NWAVETOT: 40          TLMFMT: LPU
  
```

```

THRESHOLD_SEL: 0
THRESHOLD_VALUES: 000, 000, 000, 000, 000, 000, 000, 000, 000
                  000, 000, 000, 000, 000, 000, 000, 000
  
```

```

WETGID: 0507040001    05 07 040 001
WTGRP_SIZ: 7
  
```

EDIT TABLE

GRATING STEP	HEX MASK	DETECTOR MASK
0	00400	0,0000,0100,0000,0000
1	1DD80	1,1101,1101,1000,0000
2	1BD80	1,1011,1101,1000,0000
3	1BD80	1,1011,1101,1000,0000
4	1BD80	1,1011,1101,1000,0000
5	1B980	1,1011,1001,1000,0000
6	00000	0,0000,0000,0000,0000

C9HNDARK__04

```

OAPEL:  C9HNDARK__04          ALIAS:  C9HNDARK__04
EXT:    A                      PSID:   LB
SCLK1:  04019203:00:0        SCLK2:  04019203:90:0
SCET1:  97-179/12:17:32.066  SCET2:  97-179/12:18:32.066
TARGET: SKY                   PARTITION: 1
    
```

```

MODE:    3                      GAIN:   3
CHOP:    1                      GRAT_OFF: 4
PTAB_A:  1 1 0 0 124          PTAB_B:  1 1 0 0 124
ECAL:    0                      OPCAL:  0
R/T:     0                      RECORD:  1
    
```

```

MB_DOWN: 00000                MB_UP:   00000
COMP_FLAG: 1
EST_COMP: 2.0                 EST_COMPV: 0.3
RATE_CON1: 00000             RATE_CON2: 65525
NWAVETOT: 252                TLMFMT:  LPU
    
```

```

THRESHOLD_SEL: 0
THRESHOLD_VALUES: 000, 000, 000, 000, 000, 000, 000, 000, 000, 000
                  000, 000, 000, 000, 000, 000, 000, 000, 000
    
```

```

WETGID:  0326252001          03  26  252  001
WTGRP_SIZ: 26
    
```

EDIT TABLE

GRATING STEP	HEX MASK	DETECTOR MASK
0	1FFFF	1,1111,1111,1111,1111
1	1FFFF	1,1111,1111,1111,1111
2	1FFFF	1,1111,1111,1111,1111
3	1FFFF	1,1111,1111,1111,1111
4	1FFFF	1,1111,1111,1111,1111
5	1FFFF	1,1111,1111,1111,1111
6	1FFFF	1,1111,1111,1111,1111
7	1FFFF	1,1111,1111,1111,1111
8	1FFFF	1,1111,1111,1111,1111
9	1FFFF	1,1111,1111,1111,1111
10	1FFFF	1,1111,1111,1111,1111
11	1FFFF	1,1111,1111,1111,1111
12	1FFFF	1,1111,1111,1111,1111
13	1FFFF	1,1111,1111,1111,1111
14	1FFF8	1,1111,1111,1111,1000
15	00000	0,0000,0000,0000,0000
16	00000	0,0000,0000,0000,0000
17	00000	0,0000,0000,0000,0000
18	00000	0,0000,0000,0000,0000
19	00000	0,0000,0000,0000,0000
20	00000	0,0000,0000,0000,0000
21	00000	0,0000,0000,0000,0000
22	00000	0,0000,0000,0000,0000
23	00000	0,0000,0000,0000,0000
24	00000	0,0000,0000,0000,0000
25	00000	0,0000,0000,0000,0000

C9JNFEA53M01

```

OAPEL:  C9JNFEA53M01      ALIAS:  C9JNFEA53M01
EXT:    A                  PSID:    LC
SCLK1:  04019209:00:0     SCLK2:  04019220:63:0
SCET1:  97-179/12:23:36.066  SCET2:  97-179/12:35:26.066
TARGET: JUPITER          PARTITION: 1
  
```

```

MODE:    3                  GAIN:    4
CHOP:    1                  GRAT_OFF: 4
PTAB_A:  1 1 0 0 124      PTAB_B:  1 1 0 0 124
ECAL:    0                  OPCAL:   0
R/T:     0                  RECORD:  1
  
```

```

MB_DOWN: 00000             MB_UP:   00000
COMP_FLAG: 1               EST_COMPV: 0.3
EST_COMP:  2.0            RATE_CON2: 65525
RATE_CON1: 00000          TLMFMT:  LPU
NWAVETOT: 157
  
```

```

THRESHOLD_SEL: 0
THRESHOLD_VALUES: 000, 000, 000, 000, 000, 000, 000, 000, 000, 000
                  000, 000, 000, 000, 000, 000, 000, 000, 000
  
```

```

WETGID:  0326157001      03  26  157  001
WTGRP_SIZ: 26
  
```

EDIT TABLE

GRATING STEP	HEX MASK	DETECTOR MASK
0	01183	0,0001,0001,1000,0011
1	0118B	0,0001,0001,1000,1011
2	0118F	0,0001,0001,1000,1111
3	0118F	0,0001,0001,1000,1111
4	0118F	0,0001,0001,1000,1111
5	0118F	0,0001,0001,1000,1111
6	0118F	0,0001,0001,1000,1111
7	0018F	0,0000,0001,1000,1111
8	0018F	0,0000,0001,1000,1111
9	0018F	0,0000,0001,1000,1111
10	0018F	0,0000,0001,1000,1111
11	0018F	0,0000,0001,1000,1111
12	0018F	0,0000,0001,1000,1111
13	0018F	0,0000,0001,1000,1111
14	0018F	0,0000,0001,1000,1111
15	0018F	0,0000,0001,1000,1111
16	0018F	0,0000,0001,1000,1111
17	0019F	0,0000,0001,1001,1111
18	0019F	0,0000,0001,1001,1111
19	0219F	0,0010,0001,1001,1111
20	0219F	0,0010,0001,1001,1111
21	0211F	0,0010,0001,0001,1111
22	0211F	0,0010,0001,0001,1111
23	0211F	0,0010,0001,0001,1111
24	00000	0,0000,0000,0000,0000
25	00000	0,0000,0000,0000,0000

C9JNFEA5UM01

```

OAPEL: C9JNFEA5UM01      ALIAS: C9JNFEA5UM01
EXT: A                    PSID: LD
SCLK1: 04019254:00:0     SCLK2: 04019262:86:0
SCET1: 97-179/13:09:06.066 SCET2: 97-179/13:18:09.400
TARGET: JUPITER          PARTITION: 1
  
```

```

MODE: 3                   GAIN: 4
CHOP: 1                   GRAT_OFF: 4
PTAB_A: 1 1 0 0 124     PTAB_B: 1 1 0 0 124
ECAL: 0                   OPCAL: 0
R/T: 0                    RECORD: 1
  
```

```

MB_DOWN: 00000           MB_UP: 00000
COMP_FLAG: 1
EST_COMP: 2.0           EST_COMPV: 0.3
RATE_CON1: 00000        RATE_CON2: 65525
NWAVETOT: 157           TLMFMT: LPU
  
```

```

THRESHOLD_SEL: 0
THRESHOLD_VALUES: 000, 000, 000, 000, 000, 000, 000, 000, 000, 000
                  000, 000, 000, 000, 000, 000, 000, 000, 000
  
```

```

WETGID: 0326157001      03 26 157 001
WTGRP_SIZ: 26
  
```

EDIT TABLE

GRATING STEP	HEX MASK	DETECTOR MASK
0	01183	0,0001,0001,1000,0011
1	0118B	0,0001,0001,1000,1011
2	0118F	0,0001,0001,1000,1111
3	0118F	0,0001,0001,1000,1111
4	0118F	0,0001,0001,1000,1111
5	0118F	0,0001,0001,1000,1111
6	0118F	0,0001,0001,1000,1111
7	0018F	0,0000,0001,1000,1111
8	0018F	0,0000,0001,1000,1111
9	0018F	0,0000,0001,1000,1111
10	0018F	0,0000,0001,1000,1111
11	0018F	0,0000,0001,1000,1111
12	0018F	0,0000,0001,1000,1111
13	0018F	0,0000,0001,1000,1111
14	0018F	0,0000,0001,1000,1111
15	0018F	0,0000,0001,1000,1111
16	0018F	0,0000,0001,1000,1111
17	0019F	0,0000,0001,1001,1111
18	0019F	0,0000,0001,1001,1111
19	0219F	0,0010,0001,1001,1111
20	0219F	0,0010,0001,1001,1111
21	0211F	0,0010,0001,0001,1111
22	0211F	0,0010,0001,0001,1111
23	0211F	0,0010,0001,0001,1111
24	00000	0,0000,0000,0000,0000
25	00000	0,0000,0000,0000,0000

C9JNTHRCYL06

```

OAPEL:  C9JNTHRCYL06          ALIAS:  C9JNTHRCYL06
EXT:    A                      PSID:   LQ
SCLK1:  04019268:00:0         SCLK2:  04019289:86:0
SCET1:  97-179/13:23:15.400  SCET2:  97-179/13:45:27.400
TARGET: JUPITER              PARTITION: 1
    
```

```

MODE:    3                      GAIN:    4
CHOP:    1                      GRAT_OFF: 4
PTAB_A:  1 1 0 0 124          PTAB_B:  1 1 0 0 124
ECAL:    0                      OPCAL:   0
R/T:     0                      RECORD:  1
    
```

```

MB_DOWN: 00000                MB_UP:   00000
COMP_FLAG: 1                  EST_COMPV: 0.3
EST_COMP:  2.0                RATE_CON2: 65525
RATE_CON1: 00000              TLMFMT:  LPU
NWAVETOT: 127
    
```

```

THRESHOLD_SEL: 0
THRESHOLD_VALUES: 000, 000, 000, 000, 000, 000, 000, 000, 000, 000
                  000, 000, 000, 000, 000, 000, 000, 000, 000
    
```

```

WETGID:  0326127001          03  26  127  001
WTGRP_SIZ: 26
    
```

EDIT TABLE

GRATING STEP	HEX MASK	DETECTOR MASK
0	00187	0,0000,0001,1000,0111
1	00187	0,0000,0001,1000,0111
2	00187	0,0000,0001,1000,0111
3	00187	0,0000,0001,1000,0111
4	00187	0,0000,0001,1000,0111
5	00187	0,0000,0001,1000,0111
6	00187	0,0000,0001,1000,0111
7	00187	0,0000,0001,1000,0111
8	00187	0,0000,0001,1000,0111
9	00187	0,0000,0001,1000,0111
10	00187	0,0000,0001,1000,0111
11	00187	0,0000,0001,1000,0111
12	00187	0,0000,0001,1000,0111
13	00187	0,0000,0001,1000,0111
14	00187	0,0000,0001,1000,0111
15	00187	0,0000,0001,1000,0111
16	00187	0,0000,0001,1000,0111
17	0018F	0,0000,0001,1000,1111
18	0018F	0,0000,0001,1000,1111
19	0018F	0,0000,0001,1000,1111
20	0018F	0,0000,0001,1000,1111
21	0018F	0,0000,0001,1000,1111
22	0018F	0,0000,0001,1000,1111
23	0018F	0,0000,0001,1000,1111
24	00000	0,0000,0000,0000,0000
25	00000	0,0000,0000,0000,0000

C9JNAURVAR01

```

OAPEL:  C9JNAURVAR01      ALIAS:  C9JNAURVAR01
EXT:    R                  PSID:    LG
SCLK1:  04019313:00:0     SCLK2:  04019317:12:0
SCET1:  1997-179/14:08:45.400  SCET2:  1997-179/14:12:56.066
TARGET: JUPITER          PARTITION: 1
    
```

```

MODE:    3                  GAIN:    4
CHOP:    1                  GRAT_OFF: 4
PTAB_A:  1 1 0 0 124      PTAB_B:  1 1 0 0 124
ECAL:    0                  OPCAL:   0
R/T:     1                  RECORD:  0
    
```

```

MB_DOWN: 11011             MB_UP:   11011
COMP_FLAG: 0
EST_COMP: 0.0             EST_COMPV: 0.0
RATE_CON1: 00000         RATE_CON2: 00000
NWAVETOT: 408            TLMFMT:  RT
    
```

```

THRESHOLD_SEL: 0
THRESHOLD_VALUES: 000, 000, 000, 000, 000, 000, 000, 000, 000, 000
                  000, 000, 000, 000, 000, 000, 000, 000, 000
    
```

```

WETGID:  0301408000      03  01  408  000
WTGRP_SIZ:  2
    
```

EDIT TABLE

GRATING STEP	HEX MASK	DETECTOR MASK
0	1FFFF	1,1111,1111,1111,1111
1	1FFFF	1,1111,1111,1111,1111
2	1FFFF	1,1111,1111,1111,1111
3	1FFFF	1,1111,1111,1111,1111
4	1FFFF	1,1111,1111,1111,1111
5	1FFFF	1,1111,1111,1111,1111
6	1FFFF	1,1111,1111,1111,1111
7	1FFFF	1,1111,1111,1111,1111
8	1FFFF	1,1111,1111,1111,1111
9	1FFFF	1,1111,1111,1111,1111
10	1FFFF	1,1111,1111,1111,1111
11	1FFFF	1,1111,1111,1111,1111
12	1FFFF	1,1111,1111,1111,1111
13	1FFFF	1,1111,1111,1111,1111
14	1FFFF	1,1111,1111,1111,1111
15	1FFFF	1,1111,1111,1111,1111
16	1FFFF	1,1111,1111,1111,1111
17	1FFFF	1,1111,1111,1111,1111
18	1FFFF	1,1111,1111,1111,1111
19	1FFFF	1,1111,1111,1111,1111
20	1FFFF	1,1111,1111,1111,1111
21	1FFFF	1,1111,1111,1111,1111
22	1FFFF	1,1111,1111,1111,1111
23	1FFFF	1,1111,1111,1111,1111
24	00000	0,0000,0000,0000,0000
25	00000	0,0000,0000,0000,0000

C9JNTHRCYL07

```

OAPEL: C9JNTHRCYL07      ALIAS: C9JNTHRCYL07
EXT: A                    PSID: LF
SCLK1: 04019369:00:0     SCLK2: 04019390:22:0
SCET1: 97-179/15:05:22.733 SCET2: 97-179/15:26:51.400
TARGET: JUPITER          PARTITION: 1
  
```

```

MODE: 3                   GAIN: 4
CHOP: 1                   GRAT_OFF: 4
PTAB_A: 1 1 0 0 124     PTAB_B: 1 1 0 0 124
ECAL: 0                   OPCAL: 0
R/T: 0                    RECORD: 1
  
```

```

MB_DOWN: 00000           MB_UP: 00000
COMP_FLAG: 1
EST_COMP: 2.0           EST_COMPV: 0.3
RATE_CON1: 00000       RATE_CON2: 65525
NWAVETOT: 127          TLMFMT: LPU
  
```

```

THRESHOLD_SEL: 0
THRESHOLD_VALUES: 000, 000, 000, 000, 000, 000, 000, 000, 000, 000
                  000, 000, 000, 000, 000, 000, 000, 000, 000
  
```

```

WETGID: 0326127001      03 26 127 001
WTGRP_SIZ: 26
  
```

EDIT TABLE

GRATING STEP	HEX MASK	DETECTOR MASK
0	00187	0,0000,0001,1000,0111
1	00187	0,0000,0001,1000,0111
2	00187	0,0000,0001,1000,0111
3	00187	0,0000,0001,1000,0111
4	00187	0,0000,0001,1000,0111
5	00187	0,0000,0001,1000,0111
6	00187	0,0000,0001,1000,0111
7	00187	0,0000,0001,1000,0111
8	00187	0,0000,0001,1000,0111
9	00187	0,0000,0001,1000,0111
10	00187	0,0000,0001,1000,0111
11	00187	0,0000,0001,1000,0111
12	00187	0,0000,0001,1000,0111
13	00187	0,0000,0001,1000,0111
14	00187	0,0000,0001,1000,0111
15	00187	0,0000,0001,1000,0111
16	00187	0,0000,0001,1000,0111
17	0018F	0,0000,0001,1000,1111
18	0018F	0,0000,0001,1000,1111
19	0018F	0,0000,0001,1000,1111
20	0018F	0,0000,0001,1000,1111
21	0018F	0,0000,0001,1000,1111
22	0018F	0,0000,0001,1000,1111
23	0018F	0,0000,0001,1000,1111
24	00000	0,0000,0000,0000,0000
25	00000	0,0000,0000,0000,0000

C9JNGRS09501

```

OAPEL: C9JNGRS09501      ALIAS: C9JNGRS09501
EXT: A                    PSID: LG
SCLK1: 04019402:00:0     SCLK2: 04019405:27:0
SCET1: 97-179/15:38:44.733 SCET2: 97-179/15:42:04.733
TARGET: JUPITER          PARTITION: 1
  
```

```

MODE: 5                  GAIN: 2
CHOP: 1                  GRAT_OFF: 4
PTAB_A: 1 1 0 1 4 6     PTAB_B: 1 1 0 1 4 6
ECAL: 0                  OPCAL: 0
R/T: 0                   RECORD: 1
  
```

```

MB_DOWN: 00000          MB_UP: 00000
COMP_FLAG: 1
EST_COMP: 2.0           EST_COMPV: 0.3
RATE_CON1: 00000       RATE_CON2: 65525
NWAVETOT: 68           TLMFMT: LPU
  
```

```

THRESHOLD_SEL: 0
THRESHOLD_VALUES: 000, 000, 000, 000, 000, 000, 000, 000, 000
                  000, 000, 000, 000, 000, 000, 000, 000
  
```

```

WETGID: 0507068001     05 07 068 001
WTGRP_SIZ: 7
  
```

EDIT TABLE

GRATING STEP	HEX MASK	DETECTOR MASK
0	0FC70	0,1111,1100,0111,0000
1	1FDF1	1,1111,1101,1111,0001
2	1F9F0	1,1111,1001,1111,0000
3	0FFF2	0,1111,1111,1111,0010
4	0FFF0	0,1111,1111,1111,0000
5	1FCC1	1,1111,1100,1100,0001
6	00000	0,0000,0000,0000,0000

C9JNGRS09502

```

OAPEL: C9JNGRS09502      ALIAS: C9JNGRS09502
EXT: A                    PSID: LI
SCLK1: 04019431:00:0     SCLK2: 04019437:29:0
SCET1: 97-179/16:08:04.066 SCET2: 97-179/16:14:28.066
TARGET: JUPITER          PARTITION: 1
  
```

```

MODE: 5                   GAIN: 2
CHOP: 1                   GRAT_OFF: 4
PTAB_A: 1 1 0 1 4 6     PTAB_B: 1 1 0 1 4 6
ECAL: 0                   OPCAL: 0
R/T: 0                    RECORD: 1
  
```

```

MB_DOWN: 00000           MB_UP: 00000
COMP_FLAG: 1
EST_COMP: 2.0           EST_COMPV: 0.3
RATE_CON1: 00000       RATE_CON2: 65525
NWAVETOT: 68           TLMFMT: LPU
  
```

```

THRESHOLD_SEL: 0
THRESHOLD_VALUES: 000, 000, 000, 000, 000, 000, 000, 000, 000
                  000, 000, 000, 000, 000, 000, 000, 000
  
```

```

WETGID: 0507068001      05 07 068 001
WTGRP_SIZ: 7
  
```

EDIT TABLE

GRATING STEP	HEX MASK	DETECTOR MASK
0	0FC70	0,1111,1100,0111,0000
1	1FDF1	1,1111,1101,1111,0001
2	1F9F0	1,1111,1001,1111,0000
3	0FFF2	0,1111,1111,1111,0010
4	0FFF0	0,1111,1111,1111,0000
5	1FCC1	1,1111,1100,1100,0001
6	00000	0,0000,0000,0000,0000

C9INCHEMIS06

```

OAPEL:  C9INCHEMIS06          ALIAS:  C9INCHEMIS06
EXT:    A                      PSID:   LK
SCLK1:  04019584:00:0         SCLK2:  04019586:51:0
SCET1:  97-179/18:42:46.066  SCET2:  97-179/18:45:21.400
TARGET: IO                     PARTITION: 1
    
```

```

MODE:    3                      GAIN:    2
CHOP:    1                      GRAT_OFF: 4
PTAB_A:  1 1 0 0 124          PTAB_B:  1 1 0 0 124
ECAL:    0                      OPCAL:   0
R/T:     0                      RECORD:  1
    
```

```

MB_DOWN: 00000                MB_UP:   00000
COMP_FLAG: 1                  EST_COMPV: 0.3
EST_COMP:  2.0                RATE_CON2: 65525
RATE_CON1: 00000              TLMFMT:  LPU
NWAVETOT: 228
    
```

```

THRESHOLD_SEL: 2
THRESHOLD_VALUES: 030, 030, 030, 000, 030, 029, 028, 028, 029
                  028, 032, 034, 031, 031, 032, 030, 029
    
```

```

WETGID:  0326228001          03  26  228  001
WTGRP_SIZ: 26
    
```

EDIT TABLE

GRATING STEP	HEX MASK	DETECTOR MASK
0	02580	0,0010,0101,1000,0000
1	1BDFF	1,1011,1101,1111,1111
2	02580	0,0010,0101,1000,0000
3	1BDFF	1,1011,1101,1111,1111
4	02580	0,0010,0101,1000,0000
5	1BDFF	1,1011,1101,1111,1111
6	02580	0,0010,0101,1000,0000
7	1BDFF	1,1011,1101,1111,1111
8	02580	0,0010,0101,1000,0000
9	1BDFF	1,1011,1101,1111,1111
10	02580	0,0010,0101,1000,0000
11	1BDFF	1,1011,1101,1111,1111
12	02580	0,0010,0101,1000,0000
13	1BDFF	1,1011,1101,1111,1111
14	02580	0,0010,0101,1000,0000
15	1BDFF	1,1011,1101,1111,1111
16	02580	0,0010,0101,1000,0000
17	1BDFF	1,1011,1101,1111,1111
18	02580	0,0010,0101,1000,0000
19	1BDFF	1,1011,1101,1111,1111
20	02580	0,0010,0101,1000,0000
21	1BDFF	1,1011,1101,1111,1111
22	02580	0,0010,0101,1000,0000
23	1BDFF	1,1011,1101,1111,1111
24	00000	0,0000,0000,0000,0000
25	00000	0,0000,0000,0000,0000

C9JNFEA10201

```

OAPEL: C9JNFEA10201      ALIAS: C9JNFEA10201
EXT: A                    PSID: LQ
SCLK1: 04019720:00:0     SCLK2: 04019723:27:0
SCET1: 97-179/21:00:16.733 SCET2: 97-179/21:03:36.733
TARGET: JUPITER          PARTITION: 1
  
```

```

MODE: 5                   GAIN: 2
CHOP: 1                   GRAT_OFF: 4
PTAB_A: 1 1 0 1 4 6      PTAB_B: 1 1 0 1 4 6
ECAL: 0                   OPCAL: 0
R/T: 0                    RECORD: 1
  
```

```

MB_DOWN: 00000           MB_UP: 00000
COMP_FLAG: 1
EST_COMP: 2.0            EST_COMPV: 0.3
RATE_CON1: 00000        RATE_CON2: 65525
NWAVETOT: 68            TLMFMT: LPU
  
```

```

THRESHOLD_SEL: 0
THRESHOLD_VALUES: 000, 000, 000, 000, 000, 000, 000, 000, 000, 000
                   000, 000, 000, 000, 000, 000, 000, 000, 000
  
```

```

WETGID: 0507068001      05 07 068 001
WTGRP_SIZ: 7
  
```

EDIT TABLE

GRATING STEP	HEX MASK	DETECTOR MASK
0	0FC70	0,1111,1100,0111,0000
1	1FDF1	1,1111,1101,1111,0001
2	1F9F0	1,1111,1001,1111,0000
3	0FFF2	0,1111,1111,1111,0010
4	0FFF0	0,1111,1111,1111,0000
5	1FCC1	1,1111,1100,1100,0001
6	00000	0,0000,0000,0000,0000

C9JNFEA10202

```

OAPEL:  C9JNFEA10202      ALIAS:  C9JNFEA10202
EXT:    A                  PSID:   LR
SCLK1:  04019760:00:0     SCLK2: 04019763:27:0
SCET1:  97-179/21:40:43.400 SCET2:  97-179/21:44:03.400
TARGET: JUPITER          PARTITION: 1
    
```

```

MODE:    5                  GAIN:    2
CHOP:    1                  GRAT_OFF: 4
PTAB_A:  1 1 0 1 4 6      PTAB_B:  1 1 0 1 4 6
ECAL:    0                  OPCAL:   0
R/T:     0                  RECORD:  1
    
```

```

MB_DOWN: 00000            MB_UP:   00000
COMP_FLAG: 1              EST_COMPV: 0.3
EST_COMP:  2.0           RATE_CON2: 65525
RATE_CON1: 00000        TLMFMT:  LPU
NWAVETOT: 68
    
```

```

THRESHOLD_SEL: 0
THRESHOLD_VALUES: 000, 000, 000, 000, 000, 000, 000, 000, 000, 000
                  000, 000, 000, 000, 000, 000, 000, 000, 000
    
```

```

WETGID:  0507068001      05  07  068  001
WTGRP_SIZ: 7
    
```

EDIT TABLE

GRATING STEP	HEX MASK	DETECTOR MASK
0	0FC70	0,1111,1100,0111,0000
1	1FDF1	1,1111,1101,1111,0001
2	1F9F0	1,1111,1001,1111,0000
3	0FFF2	0,1111,1111,1111,0010
4	0FFF0	0,1111,1111,1111,0000
5	1FCC1	1,1111,1100,1100,0001
6	00000	0,0000,0000,0000,0000

C9JNAUCAMB01

```

OAPEL: C9JNAUCAMB01      ALIAS: C9JNAUCAMB01
EXT: A                    PSID: DZ
SCLK1: 04027849:00:0     SCLK2: 04027854:00:0
SCET1: 97-185/13:59:34.533 SCET2: 97-185/14:04:37.866
TARGET: JUPITER          PARTITION: 1
    
```

```

MODE: 1                   GAIN: 4
CHOP: 1                   GRAT_OFF: 4
PTAB_A: 1 1 0 0 212     PTAB_B: 1 1 0 0 212
ECAL: 0                   OPCAL: 0
R/T: 0                    RECORD: 1
    
```

```

MB_DOWN: 00000           MB_UP: 00000
COMP_FLAG: 1
EST_COMP: 2.0           EST_COMPV: 0.3
RATE_CON1: 00000       RATE_CON2: 65525
NWAVETOT: 126          TLMFMT: LPU
    
```

```

THRESHOLD_SEL: 0
THRESHOLD_VALUES: 000, 000, 000, 000, 000, 000, 000, 000, 000, 000
                  000, 000, 000, 000, 000, 000, 000, 000, 000
    
```

```

WETGID: 0113126001      01 13 126 001
WTGRP_SIZ: 13
    
```

EDIT TABLE

GRATING STEP	HEX MASK	DETECTOR MASK
0	03DFC	0,0011,1101,1111,1100
1	03DFC	0,0011,1101,1111,1100
2	03DFC	0,0011,1101,1111,1100
3	03DFC	0,0011,1101,1111,1100
4	03DFC	0,0011,1101,1111,1100
5	03DFC	0,0011,1101,1111,1100
6	03DF8	0,0011,1101,1111,1000
7	03DF8	0,0011,1101,1111,1000
8	03DF8	0,0011,1101,1111,1000
9	03DF8	0,0011,1101,1111,1000
10	03DF8	0,0011,1101,1111,1000
11	03DF8	0,0011,1101,1111,1000
12	00000	0,0000,0000,0000,0000

C9JNAURRTB01

```

OAPEL: C9JNAURRTB01      ALIAS: C9JNAURRTB01
EXT: R                    PSID: LZ
SCLK1: 04027863:00:0     SCLK2: 04027867:12:0
SCET1: 1997-185/14:13:43.866 SCET2: 1997-185/14:17:54.533
TARGET: JUPITER          PARTITION: 1
  
```

```

MODE: 3                   GAIN: 4
CHOP: 1                   GRAT_OFF: 4
PTAB_A: 1 1 0 0 124     PTAB_B: 1 1 0 0 124
ECAL: 0                   OPCAL: 0
R/T: 1                   RECORD: 0
  
```

```

MB_DOWN: 11011           MB_UP: 11011
COMP_FLAG: 0
EST_COMP: 0.0           EST_COMPV: 0.0
RATE_CON1: 00000        RATE_CON2: 00000
NWAVETOT: 408           TLMFMT: RT
  
```

```

THRESHOLD_SEL: 0
THRESHOLD_VALUES: 000, 000, 000, 000, 000, 000, 000, 000, 000, 000
                  000, 000, 000, 000, 000, 000, 000, 000, 000
  
```

```

WETGID: 0302408000      03 02 408 000
WTGRP_SIZ: 2
  
```

EDIT TABLE

GRATING STEP	HEX MASK	DETECTOR MASK
0	1FFFF	1,1111,1111,1111,1111
1	1FFFF	1,1111,1111,1111,1111
2	1FFFF	1,1111,1111,1111,1111
3	1FFFF	1,1111,1111,1111,1111
4	1FFFF	1,1111,1111,1111,1111
5	1FFFF	1,1111,1111,1111,1111
6	1FFFF	1,1111,1111,1111,1111
7	1FFFF	1,1111,1111,1111,1111
8	1FFFF	1,1111,1111,1111,1111
9	1FFFF	1,1111,1111,1111,1111
10	1FFFF	1,1111,1111,1111,1111
11	1FFFF	1,1111,1111,1111,1111
12	1FFFF	1,1111,1111,1111,1111
13	1FFFF	1,1111,1111,1111,1111
14	1FFFF	1,1111,1111,1111,1111
15	1FFFF	1,1111,1111,1111,1111
16	1FFFF	1,1111,1111,1111,1111
17	1FFFF	1,1111,1111,1111,1111
18	1FFFF	1,1111,1111,1111,1111
19	1FFFF	1,1111,1111,1111,1111
20	1FFFF	1,1111,1111,1111,1111
21	1FFFF	1,1111,1111,1111,1111
22	1FFFF	1,1111,1111,1111,1111
23	1FFFF	1,1111,1111,1111,1111
24	00000	0,0000,0000,0000,0000
25	00000	0,0000,0000,0000,0000

C9HNSTRCAL01

```

OAPEL:  C9HNSTRCAL01      ALIAS:  C9HNSTRCAL01
EXT:    R                  PSID:    EP
SCLK1:  04027873:00:0     SCLK2:  04027873:12:0
SCET1:  1997-185/14:23:50.533  SCET2:  1997-185/14:23:58.533
TARGET: SKY                PARTITION: 1
    
```

```

MODE:    7                GAIN:    4
CHOP:    1                GRAT_OFF: 4
PTAB_A:  1 1 0 0 012     PTAB_B:  1 1 0 0 012
ECAL:    0                OPCAL:   0
R/T:     1                RECORD:  0
    
```

```

MB_DOWN: 11011           MB_UP:   11011
COMP_FLAG: 0
EST_COMP: 0.0           EST_COMPV: 0.0
RATE_CON1: 00000       RATE_CON2: 00000
NWAVETOT: 17           TLMFMT:  RT
    
```

```

THRESHOLD_SEL: 0
THRESHOLD_VALUES: 000, 000, 000, 000, 000, 000, 000, 000, 000, 000
                  000, 000, 000, 000, 000, 000, 000, 000, 000
    
```

```

WETGID:  0702204000      07  02  204  000
WTGRP_SIZ:  2
    
```

EDIT TABLE

GRATING STEP	HEX MASK	DETECTOR MASK
0	1FFFF	1,1111,1111,1111,1111
1	1FFFF	1,1111,1111,1111,1111
2	1FFFF	1,1111,1111,1111,1111
3	1FFFF	1,1111,1111,1111,1111
4	1FFFF	1,1111,1111,1111,1111
5	1FFFF	1,1111,1111,1111,1111
6	1FFFF	1,1111,1111,1111,1111
7	1FFFF	1,1111,1111,1111,1111
8	1FFFF	1,1111,1111,1111,1111
9	1FFFF	1,1111,1111,1111,1111
10	1FFFF	1,1111,1111,1111,1111
11	1FFFF	1,1111,1111,1111,1111
12	00000	0,0000,0000,0000,0000

C9HNSTRCAL02

```

OAPEL: C9HNSTRCAL02          ALIAS: C9HNSTRCAL01
EXT: R                        PSID: EP
SCLK1: 04027874:00:0        SCLK2: 04027874:12:0
SCET1: 1997-185/14:24:51.200 SCET2: 1997-185/14:24:59.200
TARGET: SKY                  PARTITION: 1
  
```

```

MODE: 7                      GAIN: 4
CHOP: 1                      GRAT_OFF: 4
PTAB_A: 1 1 0 1 012        PTAB_B: 1 1 0 1 012
ECAL: 0                      OPCAL: 0
R/T: 1                      RECORD: 0
  
```

```

MB_DOWN: 11011              MB_UP: 11011
COMP_FLAG: 0
EST_COMP: 0.0              EST_COMPV: 0.0
RATE_CON1: 00000          RATE_CON2: 00000
NWAVETOT: 17              TLMFMT: RT
  
```

```

THRESHOLD_SEL: 0
THRESHOLD_VALUES: 000, 000, 000, 000, 000, 000, 000, 000, 000, 000
                  000, 000, 000, 000, 000, 000, 000, 000, 000
  
```

```

WETGID: 0702204000        07 02 204 000
WTGRP_SIZ: 2
  
```

EDIT TABLE

GRATING STEP	HEX MASK	DETECTOR MASK
0	1FFFF	1,1111,1111,1111,1111
1	1FFFF	1,1111,1111,1111,1111
2	1FFFF	1,1111,1111,1111,1111
3	1FFFF	1,1111,1111,1111,1111
4	1FFFF	1,1111,1111,1111,1111
5	1FFFF	1,1111,1111,1111,1111
6	1FFFF	1,1111,1111,1111,1111
7	1FFFF	1,1111,1111,1111,1111
8	1FFFF	1,1111,1111,1111,1111
9	1FFFF	1,1111,1111,1111,1111
10	1FFFF	1,1111,1111,1111,1111
11	1FFFF	1,1111,1111,1111,1111
12	00000	0,0000,0000,0000,0000

C9HNSTRCAL03

```

OAPEL:  C9HNSTRCAL03          ALIAS:  C9HNSTRCAL01
EXT:    R                    PSID:    EP
SCLK1:  04027875:00:0        SCLK2:  04027875:12:0
SCET1:  1997-185/14:25:51.866 SCET2:  1997-185/14:25:59.866
TARGET: SKY                  PARTITION: 1
    
```

```

MODE:    7                    GAIN:    4
CHOP:    1                    GRAT_OFF: 4
PTAB_A:  1 1 0 2 012        PTAB_B:  1 1 0 2 012
ECAL:    0                    OPCAL:   0
R/T:     1                    RECORD:  0
    
```

```

MB_DOWN: 11011                MB_UP:   11011
COMP_FLAG: 0
EST_COMP: 0.0                EST_COMPV: 0.0
RATE_CON1: 00000            RATE_CON2: 00000
NWAVETOT: 17                TLMFMT:  RT
    
```

```

THRESHOLD_SEL: 0
THRESHOLD_VALUES: 000, 000, 000, 000, 000, 000, 000, 000, 000, 000
                  000, 000, 000, 000, 000, 000, 000, 000, 000
    
```

```

WETGID:  0702204000          07  02  204  000
WTGRP_SIZ:  2
    
```

EDIT TABLE

GRATING STEP	HEX MASK	DETECTOR MASK
0	1FFFF	1,1111,1111,1111,1111
1	1FFFF	1,1111,1111,1111,1111
2	1FFFF	1,1111,1111,1111,1111
3	1FFFF	1,1111,1111,1111,1111
4	1FFFF	1,1111,1111,1111,1111
5	1FFFF	1,1111,1111,1111,1111
6	1FFFF	1,1111,1111,1111,1111
7	1FFFF	1,1111,1111,1111,1111
8	1FFFF	1,1111,1111,1111,1111
9	1FFFF	1,1111,1111,1111,1111
10	1FFFF	1,1111,1111,1111,1111
11	1FFFF	1,1111,1111,1111,1111
12	00000	0,0000,0000,0000,0000

C9HNSTRCAL04

```

OAPEL:  C9HNSTRCAL04          ALIAS:  C9HNSTRCAL01
EXT:    R                    PSID:    EP
SCLK1:  04027876:00:0        SCLK2:  04027876:12:0
SCET1:  1997-185/14:26:52.533 SCET2:  1997-185/14:27:00.533
TARGET: SKY                  PARTITION: 1
  
```

```

MODE:    7                    GAIN:    4
CHOP:    1                    GRAT_OFF: 4
PTAB_A:  1 1 0 3 012        PTAB_B:  1 1 0 3 012
ECAL:    0                    OPCAL:   0
R/T:     1                    RECORD:  0
  
```

```

MB_DOWN: 11011              MB_UP:   11011
COMP_FLAG: 0                EST_COMPV: 0.0
EST_COMP: 0.0              RATE_CON2: 00000
RATE_CON1: 00000          TLMFMT:  RT
NWAVETOT: 17
  
```

```

THRESHOLD_SEL: 0
THRESHOLD_VALUES: 000, 000, 000, 000, 000, 000, 000, 000, 000, 000
                  000, 000, 000, 000, 000, 000, 000, 000, 000
  
```

```

WETGID:  0702204000        07  02  204  000
WTGRP_SIZ:  2
  
```

EDIT TABLE

GRATING STEP	HEX MASK	DETECTOR MASK
0	1FFFF	1,1111,1111,1111,1111
1	1FFFF	1,1111,1111,1111,1111
2	1FFFF	1,1111,1111,1111,1111
3	1FFFF	1,1111,1111,1111,1111
4	1FFFF	1,1111,1111,1111,1111
5	1FFFF	1,1111,1111,1111,1111
6	1FFFF	1,1111,1111,1111,1111
7	1FFFF	1,1111,1111,1111,1111
8	1FFFF	1,1111,1111,1111,1111
9	1FFFF	1,1111,1111,1111,1111
10	1FFFF	1,1111,1111,1111,1111
11	1FFFF	1,1111,1111,1111,1111
12	00000	0,0000,0000,0000,0000

C9HNSTRCAL05

```

OAPEL: C9HNSTRCAL05          ALIAS: C9HNSTRCAL01
EXT: R                        PSID: EP
SCLK1: 04027877:00:0        SCLK2: 04027877:12:0
SCET1: 1997-185/14:27:53.200 SCET2: 1997-185/14:28:01.200
TARGET: SKY                  PARTITION: 1
  
```

```

MODE: 7                      GAIN: 4
CHOP: 1                      GRAT_OFF: 4
PTAB_A: 1 1 0 4 012        PTAB_B: 1 1 0 4 012
ECAL: 0                      OPCAL: 0
R/T: 1                       RECORD: 0
  
```

```

MB_DOWN: 11011              MB_UP: 11011
COMP_FLAG: 0
EST_COMP: 0.0              EST_COMPV: 0.0
RATE_CON1: 00000          RATE_CON2: 00000
NWAVETOT: 17              TLMFMT: RT
  
```

```

THRESHOLD_SEL: 0
THRESHOLD_VALUES: 000, 000, 000, 000, 000, 000, 000, 000, 000, 000
                  000, 000, 000, 000, 000, 000, 000, 000, 000
  
```

```

WETGID: 0702204000        07 02 204 000
WTGRP_SIZ: 2
  
```

EDIT TABLE

GRATING STEP	HEX MASK	DETECTOR MASK
0	1FFFF	1,1111,1111,1111,1111
1	1FFFF	1,1111,1111,1111,1111
2	1FFFF	1,1111,1111,1111,1111
3	1FFFF	1,1111,1111,1111,1111
4	1FFFF	1,1111,1111,1111,1111
5	1FFFF	1,1111,1111,1111,1111
6	1FFFF	1,1111,1111,1111,1111
7	1FFFF	1,1111,1111,1111,1111
8	1FFFF	1,1111,1111,1111,1111
9	1FFFF	1,1111,1111,1111,1111
10	1FFFF	1,1111,1111,1111,1111
11	1FFFF	1,1111,1111,1111,1111
12	00000	0,0000,0000,0000,0000

C9HNSTRCAL06

```

OAPEL:  C9HNSTRCAL06          ALIAS:  C9HNSTRCAL01
EXT:    R                      PSID:    EP
SCLK1:  04027878:00:0        SCLK2:  04027878:12:0
SCET1:  1997-185/14:28:53.866 SCET2:  1997-185/14:29:01.866
TARGET: SKY                   PARTITION: 1
    
```

```

MODE:    7                      GAIN:    4
CHOP:    1                      GRAT_OFF: 4
PTAB_A:  1 1 0 5 012          PTAB_B:  1 1 0 5 012
ECAL:    0                      OPCAL:   0
R/T:     1                      RECORD:  0
    
```

```

MB_DOWN: 11011                 MB_UP:   11011
COMP_FLAG: 0
EST_COMP: 0.0                 EST_COMPV: 0.0
RATE_CON1: 00000             RATE_CON2: 00000
NWAVETOT: 17                 TLMFMT:  RT
    
```

```

THRESHOLD_SEL: 0
THRESHOLD_VALUES: 000, 000, 000, 000, 000, 000, 000, 000, 000, 000
                  000, 000, 000, 000, 000, 000, 000, 000, 000
    
```

```

WETGID:  0702204000          07  02  204  000
WTGRP_SIZ:  2
    
```

EDIT TABLE

GRATING STEP	HEX MASK	DETECTOR MASK
0	1FFFF	1,1111,1111,1111,1111
1	1FFFF	1,1111,1111,1111,1111
2	1FFFF	1,1111,1111,1111,1111
3	1FFFF	1,1111,1111,1111,1111
4	1FFFF	1,1111,1111,1111,1111
5	1FFFF	1,1111,1111,1111,1111
6	1FFFF	1,1111,1111,1111,1111
7	1FFFF	1,1111,1111,1111,1111
8	1FFFF	1,1111,1111,1111,1111
9	1FFFF	1,1111,1111,1111,1111
10	1FFFF	1,1111,1111,1111,1111
11	1FFFF	1,1111,1111,1111,1111
12	00000	0,0000,0000,0000,0000

C9HNSTRCAL07

```

OAPEL:  C9HNSTRCAL07          ALIAS:  C9HNSTRCAL01
EXT:    R                      PSID:   EP
SCLK1:  04027879:00:0         SCLK2:  04027879:12:0
SCET1:  1997-185/14:29:54.533 SCET2:  1997-185/14:30:02.533
TARGET: SKY                    PARTITION: 1
    
```

```

MODE:    7                      GAIN:    4
CHOP:    1                      GRAT_OFF: 4
PTAB_A:  1 1 0 6 012           PTAB_B:  1 1 0 6 012
ECAL:    0                      OPCAL:   0
R/T:     1                      RECORD:  0
    
```

```

MB_DOWN: 11011                 MB_UP:   11011
COMP_FLAG: 0
EST_COMP: 0.0                 EST_COMPV: 0.0
RATE_CON1: 00000              RATE_CON2: 00000
NWAVETOT: 17                   TLMFMT:  RT
    
```

```

THRESHOLD_SEL: 0
THRESHOLD_VALUES: 000, 000, 000, 000, 000, 000, 000, 000, 000, 000
                  000, 000, 000, 000, 000, 000, 000, 000, 000
    
```

```

WETGID:  0702204000          07  02  204  000
WTGRP_SIZ:  2
    
```

EDIT TABLE

GRATING STEP	HEX MASK	DETECTOR MASK
0	1FFFF	1,1111,1111,1111,1111
1	1FFFF	1,1111,1111,1111,1111
2	1FFFF	1,1111,1111,1111,1111
3	1FFFF	1,1111,1111,1111,1111
4	1FFFF	1,1111,1111,1111,1111
5	1FFFF	1,1111,1111,1111,1111
6	1FFFF	1,1111,1111,1111,1111
7	1FFFF	1,1111,1111,1111,1111
8	1FFFF	1,1111,1111,1111,1111
9	1FFFF	1,1111,1111,1111,1111
10	1FFFF	1,1111,1111,1111,1111
11	1FFFF	1,1111,1111,1111,1111
12	00000	0,0000,0000,0000,0000

C9HNSTRCAL08

```

OAPEL:  C9HNSTRCAL08          ALIAS:  C9HNSTRCAL01
EXT:    R                      PSID:    EP
SCLK1:  04027880:00:0        SCLK2:  04027880:12:0
SCET1:  1997-185/14:30:55.200 SCET2:  1997-185/14:31:03.200
TARGET: SKY                   PARTITION: 1
    
```

```

MODE:    7                      GAIN:    4
CHOP:    1                      GRAT_OFF: 4
PTAB_A:  1 1 0 7 012          PTAB_B:  1 1 0 7 012
ECAL:    0                      OPCAL:   0
R/T:     1                      RECORD:  0
    
```

```

MB_DOWN: 11011                 MB_UP:   11011
COMP_FLAG: 0                   EST_COMPV: 0.0
EST_COMP:  0.0                 RATE_CON1: 00000
RATE_CON2: 00000              TLMFMT:  RT
NWAVETOT: 17
    
```

```

THRESHOLD_SEL: 0
THRESHOLD_VALUES: 000, 000, 000, 000, 000, 000, 000, 000, 000, 000
                  000, 000, 000, 000, 000, 000, 000, 000, 000
    
```

```

WETGID:  0702204000          07  02  204  000
WTGRP_SIZ:  2
    
```

EDIT TABLE

GRATING STEP	HEX MASK	DETECTOR MASK
0	1FFFF	1,1111,1111,1111,1111
1	1FFFF	1,1111,1111,1111,1111
2	1FFFF	1,1111,1111,1111,1111
3	1FFFF	1,1111,1111,1111,1111
4	1FFFF	1,1111,1111,1111,1111
5	1FFFF	1,1111,1111,1111,1111
6	1FFFF	1,1111,1111,1111,1111
7	1FFFF	1,1111,1111,1111,1111
8	1FFFF	1,1111,1111,1111,1111
9	1FFFF	1,1111,1111,1111,1111
10	1FFFF	1,1111,1111,1111,1111
11	1FFFF	1,1111,1111,1111,1111
12	00000	0,0000,0000,0000,0000

C9HNSTRCAL09

```

OAPEL:  C9HNSTRCAL09          ALIAS:  C9HNSTRCAL01
EXT:    R                      PSID:    EP
SCLK1:  04027881:00:0         SCLK2:  04027881:12:0
SCET1:  1997-185/14:31:55.866 SCET2:  1997-185/14:32:03.866
TARGET: SKY                    PARTITION: 1
    
```

```

MODE:    7                      GAIN:    4
CHOP:    1                      GRAT_OFF: 4
PTAB_A:  1 1 0 8 012          PTAB_B:  1 1 0 8 012
ECAL:    0                      OPCAL:   0
R/T:     1                      RECORD:  0
    
```

```

MB_DOWN: 11011                 MB_UP:   11011
COMP_FLAG: 0
EST_COMP: 0.0                  EST_COMPV: 0.0
RATE_CON1: 00000              RATE_CON2: 00000
NWAVETOT: 17                   TLMFMT:  RT
    
```

```

THRESHOLD_SEL: 0
THRESHOLD_VALUES: 000, 000, 000, 000, 000, 000, 000, 000, 000, 000
                  000, 000, 000, 000, 000, 000, 000, 000, 000
    
```

```

WETGID:  0702204000          07  02  204  000
WTGRP_SIZ:  2
    
```

EDIT TABLE

GRATING STEP	HEX MASK	DETECTOR MASK
0	1FFFF	1,1111,1111,1111,1111
1	1FFFF	1,1111,1111,1111,1111
2	1FFFF	1,1111,1111,1111,1111
3	1FFFF	1,1111,1111,1111,1111
4	1FFFF	1,1111,1111,1111,1111
5	1FFFF	1,1111,1111,1111,1111
6	1FFFF	1,1111,1111,1111,1111
7	1FFFF	1,1111,1111,1111,1111
8	1FFFF	1,1111,1111,1111,1111
9	1FFFF	1,1111,1111,1111,1111
10	1FFFF	1,1111,1111,1111,1111
11	1FFFF	1,1111,1111,1111,1111
12	00000	0,0000,0000,0000,0000

C9HNSTRCAL10

```

OAPEL:  C9HNSTRCAL10          ALIAS:  C9HNSTRCAL01
EXT:    R                    PSID:    EP
SCLK1:  04027882:00:0        SCLK2:  04027882:90:0
SCET1:  1997-185/14:32:56.533 SCET2:  1997-185/14:33:04.533
TARGET: SKY                    PARTITION: 1
    
```

```

MODE:    7                    GAIN:    4
CHOP:    1                    GRAT_OFF: 4
PTAB_A:  1 1 0 9 012        PTAB_B:  1 1 0 9 012
ECAL:    0                    OPCAL:   0
R/T:     1                    RECORD:  0
    
```

```

MB_DOWN: 11011                MB_UP:   11011
COMP_FLAG: 0                    EST_COMPV: 0.0
EST_COMP: 0.0                    RATE_CON1: 00000
RATE_CON1: 00000                RATE_CON2: 00000
NWAVETOT: 17                    TLMFMT:  RT
    
```

```

THRESHOLD_SEL: 0
THRESHOLD_VALUES: 000, 000, 000, 000, 000, 000, 000, 000, 000, 000
                   000, 000, 000, 000, 000, 000, 000, 000, 000
    
```

```

WETGID:  0702204000          07  02  204  000
WTGRP_SIZ:  2
    
```

EDIT TABLE

GRATING STEP	HEX MASK	DETECTOR MASK
0	1FFFF	1,1111,1111,1111,1111
1	1FFFF	1,1111,1111,1111,1111
2	1FFFF	1,1111,1111,1111,1111
3	1FFFF	1,1111,1111,1111,1111
4	1FFFF	1,1111,1111,1111,1111
5	1FFFF	1,1111,1111,1111,1111
6	1FFFF	1,1111,1111,1111,1111
7	1FFFF	1,1111,1111,1111,1111
8	1FFFF	1,1111,1111,1111,1111
9	1FFFF	1,1111,1111,1111,1111
10	1FFFF	1,1111,1111,1111,1111
11	1FFFF	1,1111,1111,1111,1111
12	00000	0,0000,0000,0000,0000

C9HNSTRCAL11

```

OAPEL:  C9HNSTRCAL11          ALIAS:  C9HNSTRCAL01
EXT:    R                      PSID:   EP
SCLK1:  04027883:00:0         SCLK2:  04027883:90:0
SCET1:  1997-185/14:33:57.200 SCET2:  1997-185/14:34:05.200
TARGET: SKY                    PARTITION: 1
    
```

```

MODE:    7                      GAIN:    4
CHOP:    1                      GRAT_OFF: 4
PTAB_A:  1 1 010 012           PTAB_B:  1 1 010 012
ECAL:    0                      OPCAL:   0
R/T:     1                      RECORD:  0
    
```

```

MB_DOWN: 11011                 MB_UP:   11011
COMP_FLAG: 0
EST_COMP: 0.0                 EST_COMPV: 0.0
RATE_CON1: 00000              RATE_CON2: 00000
NWAVETOT: 17                  TLMFMT:  RT
    
```

```

THRESHOLD_SEL: 0
THRESHOLD_VALUES: 000, 000, 000, 000, 000, 000, 000, 000, 000, 000
                  000, 000, 000, 000, 000, 000, 000, 000, 000
    
```

```

WETGID:  0702204000          07  02  204  000
WTGRP_SIZ:  2
    
```

EDIT TABLE

GRATING STEP	HEX MASK	DETECTOR MASK
0	1FFFF	1,1111,1111,1111,1111
1	1FFFF	1,1111,1111,1111,1111
2	1FFFF	1,1111,1111,1111,1111
3	1FFFF	1,1111,1111,1111,1111
4	1FFFF	1,1111,1111,1111,1111
5	1FFFF	1,1111,1111,1111,1111
6	1FFFF	1,1111,1111,1111,1111
7	1FFFF	1,1111,1111,1111,1111
8	1FFFF	1,1111,1111,1111,1111
9	1FFFF	1,1111,1111,1111,1111
10	1FFFF	1,1111,1111,1111,1111
11	1FFFF	1,1111,1111,1111,1111
12	00000	0,0000,0000,0000,0000

C9HNSTRCAL12

```

OAPEL:  C9HNSTRCAL12          ALIAS:  C9HNSTRCAL01
EXT:    R                    PSID:    EP
SCLK1:  04027884:00:0        SCLK2:  04027884:12:0
SCET1:  1997-185/14:34:57.866 SCET2:  1997-185/14:35:05.866
TARGET: SKY                  PARTITION: 1
  
```

```

MODE:    7                    GAIN:    4
CHOP:    1                    GRAT_OFF: 4
PTAB_A:  1 1 011 012        PTAB_B:  1 1 011 012
ECAL:    0                    OPCAL:   0
R/T:     1                    RECORD:  0
  
```

```

MB_DOWN: 11011              MB_UP:    11011
COMP_FLAG: 0                EST_COMPV: 0.0
EST_COMP:  0.0              RATE_CON2: 00000
RATE_CON1: 00000            TLMFMT:  RT
NWAVETOT: 17
  
```

```

THRESHOLD_SEL: 0
THRESHOLD_VALUES: 000, 000, 000, 000, 000, 000, 000, 000, 000, 000
                  000, 000, 000, 000, 000, 000, 000, 000, 000
  
```

```

WETGID:  0702204000        07  02  204  000
WTGRP_SIZ: 2
  
```

EDIT TABLE

GRATING STEP	HEX MASK	DETECTOR MASK
0	1FFFF	1,1111,1111,1111,1111
1	1FFFF	1,1111,1111,1111,1111
2	1FFFF	1,1111,1111,1111,1111
3	1FFFF	1,1111,1111,1111,1111
4	1FFFF	1,1111,1111,1111,1111
5	1FFFF	1,1111,1111,1111,1111
6	1FFFF	1,1111,1111,1111,1111
7	1FFFF	1,1111,1111,1111,1111
8	1FFFF	1,1111,1111,1111,1111
9	1FFFF	1,1111,1111,1111,1111
10	1FFFF	1,1111,1111,1111,1111
11	1FFFF	1,1111,1111,1111,1111
12	00000	0,0000,0000,0000,0000

C9JNAURRTB02

```

OAPEL: C9JNAURRTB02      ALIAS: C9JNAURRTB02
EXT: R                    PSID: MU
SCLK1: 04027893:00:0     SCLK2: 04027897:12:0
SCET1: 1997-185/14:44:03.866 SCET2: 1997-185/14:48:14.533
TARGET: JUPITER          PARTITION: 1
  
```

```

MODE: 3                  GAIN: 4
CHOP: 1                  GRAT_OFF: 4
PTAB_A: 1 1 0 0 124     PTAB_B: 1 1 0 0 124
ECAL: 0                  OPCAL: 0
R/T: 1                   RECORD: 0
  
```

```

MB_DOWN: 11011          MB_UP: 11011
COMP_FLAG: 0
EST_COMP: 0.0           EST_COMPV: 0.0
RATE_CON1: 00000       RATE_CON2: 00000
NWAVETOT: 408          TLMFMT: RT
  
```

```

THRESHOLD_SEL: 0
THRESHOLD_VALUES: 000, 000, 000, 000, 000, 000, 000, 000, 000
                  000, 000, 000, 000, 000, 000, 000, 000
  
```

```

WETGID: 0302408000      03 02 408 000
WTGRP_SIZ: 2
  
```

EDIT TABLE

GRATING STEP	HEX MASK	DETECTOR MASK
0	1FFFF	1,1111,1111,1111,1111
1	1FFFF	1,1111,1111,1111,1111
2	1FFFF	1,1111,1111,1111,1111
3	1FFFF	1,1111,1111,1111,1111
4	1FFFF	1,1111,1111,1111,1111
5	1FFFF	1,1111,1111,1111,1111
6	1FFFF	1,1111,1111,1111,1111
7	1FFFF	1,1111,1111,1111,1111
8	1FFFF	1,1111,1111,1111,1111
9	1FFFF	1,1111,1111,1111,1111
10	1FFFF	1,1111,1111,1111,1111
11	1FFFF	1,1111,1111,1111,1111
12	1FFFF	1,1111,1111,1111,1111
13	1FFFF	1,1111,1111,1111,1111
14	1FFFF	1,1111,1111,1111,1111
15	1FFFF	1,1111,1111,1111,1111
16	1FFFF	1,1111,1111,1111,1111
17	1FFFF	1,1111,1111,1111,1111
18	1FFFF	1,1111,1111,1111,1111
19	1FFFF	1,1111,1111,1111,1111
20	1FFFF	1,1111,1111,1111,1111
21	1FFFF	1,1111,1111,1111,1111
22	1FFFF	1,1111,1111,1111,1111
23	1FFFF	1,1111,1111,1111,1111
24	00000	0,0000,0000,0000,0000
25	00000	0,0000,0000,0000,0000

C9JNAURRTB03

```

OAPEL:  C9JNAURRTB03          ALIAS:  C9JNAURRTB03
EXT:    R                      PSID:    MV
SCLK1:  04027923:00:0         SCLK2:  04027927:12:0
SCET1:  1997-185/15:14:23.866 SCET2:  1997-185/15:18:34.533
TARGET: JUPITER              PARTITION: 1
    
```

```

MODE:    3                      GAIN:    4
CHOP:    1                      GRAT_OFF: 4
PTAB_A:  1 1 0 0 124          PTAB_B:  1 1 0 0 124
ECAL:    0                      OPCAL:   0
R/T:     1                      RECORD:  0
    
```

```

MB_DOWN: 11011                MB_UP:   11011
COMP_FLAG: 0
EST_COMP: 0.0                EST_COMPV: 0.0
RATE_CON1: 00000            RATE_CON2: 00000
NWAVETOT: 408                TLMFMT:  RT
    
```

```

THRESHOLD_SEL: 0
THRESHOLD_VALUES: 000, 000, 000, 000, 000, 000, 000, 000, 000, 000
                  000, 000, 000, 000, 000, 000, 000, 000, 000
    
```

```

WETGID:  0302408000          03  02  408  000
WTGRP_SIZ:  2
    
```

EDIT TABLE

GRATING STEP	HEX MASK	DETECTOR MASK
0	1FFFF	1,1111,1111,1111,1111
1	1FFFF	1,1111,1111,1111,1111
2	1FFFF	1,1111,1111,1111,1111
3	1FFFF	1,1111,1111,1111,1111
4	1FFFF	1,1111,1111,1111,1111
5	1FFFF	1,1111,1111,1111,1111
6	1FFFF	1,1111,1111,1111,1111
7	1FFFF	1,1111,1111,1111,1111
8	1FFFF	1,1111,1111,1111,1111
9	1FFFF	1,1111,1111,1111,1111
10	1FFFF	1,1111,1111,1111,1111
11	1FFFF	1,1111,1111,1111,1111
12	1FFFF	1,1111,1111,1111,1111
13	1FFFF	1,1111,1111,1111,1111
14	1FFFF	1,1111,1111,1111,1111
15	1FFFF	1,1111,1111,1111,1111
16	1FFFF	1,1111,1111,1111,1111
17	1FFFF	1,1111,1111,1111,1111
18	1FFFF	1,1111,1111,1111,1111
19	1FFFF	1,1111,1111,1111,1111
20	1FFFF	1,1111,1111,1111,1111
21	1FFFF	1,1111,1111,1111,1111
22	1FFFF	1,1111,1111,1111,1111
23	1FFFF	1,1111,1111,1111,1111
24	00000	0,0000,0000,0000,0000
25	00000	0,0000,0000,0000,0000

C9JNAURRTB04

```

OAPEL:  C9JNAURRTB04          ALIAS:  C9JNAURRTB04
EXT:    R                      PSID:    DB
SCLK1:  04027943:00:0         SCLK2:  04027947:12:0
SCET1:  1997-185/15:34:37.200 SCET2:  1997-185/15:38:47.866
TARGET: JUPITER              PARTITION: 1
    
```

```

MODE:    3                      GAIN:    4
CHOP:    1                      GRAT_OFF: 4
PTAB_A:  1 1 0 0 124          PTAB_B:  1 1 0 0 124
ECAL:    0                      OPCAL:   0
R/T:     1                      RECORD:  0
    
```

```

MB_DOWN: 11011                MB_UP:   11011
COMP_FLAG: 0
EST_COMP: 0.0                EST_COMPV: 0.0
RATE_CON1: 00000            RATE_CON2: 00000
NWAVETOT: 408                TLMFMT:  RT
    
```

```

THRESHOLD_SEL: 0
THRESHOLD_VALUES: 000, 000, 000, 000, 000, 000, 000, 000, 000, 000
                  000, 000, 000, 000, 000, 000, 000, 000, 000
    
```

```

WETGID:  0302408000          03  02  408  000
WTGRP_SIZ:  2
    
```

EDIT TABLE

GRATING STEP	HEX MASK	DETECTOR MASK
0	1FFFF	1,1111,1111,1111,1111
1	1FFFF	1,1111,1111,1111,1111
2	1FFFF	1,1111,1111,1111,1111
3	1FFFF	1,1111,1111,1111,1111
4	1FFFF	1,1111,1111,1111,1111
5	1FFFF	1,1111,1111,1111,1111
6	1FFFF	1,1111,1111,1111,1111
7	1FFFF	1,1111,1111,1111,1111
8	1FFFF	1,1111,1111,1111,1111
9	1FFFF	1,1111,1111,1111,1111
10	1FFFF	1,1111,1111,1111,1111
11	1FFFF	1,1111,1111,1111,1111
12	1FFFF	1,1111,1111,1111,1111
13	1FFFF	1,1111,1111,1111,1111
14	1FFFF	1,1111,1111,1111,1111
15	1FFFF	1,1111,1111,1111,1111
16	1FFFF	1,1111,1111,1111,1111
17	1FFFF	1,1111,1111,1111,1111
18	1FFFF	1,1111,1111,1111,1111
19	1FFFF	1,1111,1111,1111,1111
20	1FFFF	1,1111,1111,1111,1111
21	1FFFF	1,1111,1111,1111,1111
22	1FFFF	1,1111,1111,1111,1111
23	1FFFF	1,1111,1111,1111,1111
24	00000	0,0000,0000,0000,0000
25	00000	0,0000,0000,0000,0000

C9HNSTRCAL13

```

OAPEL:  C9HNSTRCAL13          ALIAS:  C9HNSTRCAL02
EXT:    R                    PSID:   DA
SCLK1:  04027953:00:0        SCLK2:  04027953:12:0
SCET1:  1997-185/15:44:43.866 SCET2:  1997-185/15:44:51.866
TARGET: SKY                  PARTITION: 1
    
```

```

MODE:    7                    GAIN:    4
CHOP:    1                    GRAT_OFF: 4
PTAB_A:  1 1 012 012        PTAB_B:  1 1 012 012
ECAL:    0                    OPCAL:   0
R/T:     1                    RECORD:  0
    
```

```

MB_DOWN: 11011              MB_UP:   11011
COMP_FLAG: 0                EST_COMPV: 0.0
EST_COMP:  0.0              RATE_CON2: 00000
RATE_CON1: 00000            TLMFMT:  RT
NWAVETOT: 17
    
```

```

THRESHOLD_SEL: 0
THRESHOLD_VALUES: 000, 000, 000, 000, 000, 000, 000, 000, 000, 000
                  000, 000, 000, 000, 000, 000, 000, 000, 000
    
```

```

WETGID:  0702204000        07  02  204  000
WTGRP_SIZ:  2
    
```

EDIT TABLE

GRATING STEP	HEX MASK	DETECTOR MASK
0	1FFFF	1,1111,1111,1111,1111
1	1FFFF	1,1111,1111,1111,1111
2	1FFFF	1,1111,1111,1111,1111
3	1FFFF	1,1111,1111,1111,1111
4	1FFFF	1,1111,1111,1111,1111
5	1FFFF	1,1111,1111,1111,1111
6	1FFFF	1,1111,1111,1111,1111
7	1FFFF	1,1111,1111,1111,1111
8	1FFFF	1,1111,1111,1111,1111
9	1FFFF	1,1111,1111,1111,1111
10	1FFFF	1,1111,1111,1111,1111
11	1FFFF	1,1111,1111,1111,1111
12	00000	0,0000,0000,0000,0000

C9HNSTRCAL14

```

OAPEL:  C9HNSTRCAL14          ALIAS:  C9HNSTRCAL02
EXT:    R                      PSID:   DA
SCLK1:  04027954:00:0        SCLK2:  04027954:12:0
SCET1:  1997-185/15:45:44.533 SCET2:  1997-185/15:45:52.533
TARGET: SKY                   PARTITION: 1
    
```

```

MODE:    7                      GAIN:    4
CHOP:    1                      GRAT_OFF: 4
PTAB_A:  1 1 013 012          PTAB_B:  1 1 013 012
ECAL:    0                      OPCAL:   0
R/T:     1                      RECORD:  0
    
```

```

MB_DOWN: 11011                 MB_UP:   11011
COMP_FLAG: 0
EST_COMP: 0.0                  EST_COMPV: 0.0
RATE_CON1: 00000              RATE_CON2: 00000
NWAVETOT: 17                  TLMFMT:  RT
    
```

```

THRESHOLD_SEL: 0
THRESHOLD_VALUES: 000, 000, 000, 000, 000, 000, 000, 000, 000, 000
                  000, 000, 000, 000, 000, 000, 000, 000, 000
    
```

```

WETGID:  0702204000          07  02  204  000
WTGRP_SIZ:  2
    
```

EDIT TABLE

GRATING STEP	HEX MASK	DETECTOR MASK
0	1FFFF	1,1111,1111,1111,1111
1	1FFFF	1,1111,1111,1111,1111
2	1FFFF	1,1111,1111,1111,1111
3	1FFFF	1,1111,1111,1111,1111
4	1FFFF	1,1111,1111,1111,1111
5	1FFFF	1,1111,1111,1111,1111
6	1FFFF	1,1111,1111,1111,1111
7	1FFFF	1,1111,1111,1111,1111
8	1FFFF	1,1111,1111,1111,1111
9	1FFFF	1,1111,1111,1111,1111
10	1FFFF	1,1111,1111,1111,1111
11	1FFFF	1,1111,1111,1111,1111
12	00000	0,0000,0000,0000,0000

C9HNSTRCAL15

```

OAPEL:  C9HNSTRCAL15          ALIAS:  C9HNSTRCAL02
EXT:    R                    PSID:   DA
SCLK1:  04027955:00:0        SCLK2:  04027955:12:0
SCET1:  1997-185/15:46:45.200 SCET2:  1997-185/15:46:53.200
TARGET: SKY                  PARTITION: 1
    
```

```

MODE:    7                    GAIN:    4
CHOP:    1                    GRAT_OFF: 4
PTAB_A:  1 1 014 012         PTAB_B:  1 1 014 012
ECAL:    0                    OPCAL:   0
R/T:     1                    RECORD:  0
    
```

```

MB_DOWN: 11011              MB_UP:   11011
COMP_FLAG: 0                EST_COMPV: 0.0
EST_COMP:  0.0              RATE_CON2: 00000
RATE_CON1: 00000            TLMFMT:  RT
NWAVETOT: 17
    
```

```

THRESHOLD_SEL: 0
THRESHOLD_VALUES: 000, 000, 000, 000, 000, 000, 000, 000, 000, 000
                  000, 000, 000, 000, 000, 000, 000, 000, 000
    
```

```

WETGID:  0702204000        07  02  204  000
WTGRP_SIZ:  2
    
```

EDIT TABLE

GRATING STEP	HEX MASK	DETECTOR MASK
0	1FFFF	1,1111,1111,1111,1111
1	1FFFF	1,1111,1111,1111,1111
2	1FFFF	1,1111,1111,1111,1111
3	1FFFF	1,1111,1111,1111,1111
4	1FFFF	1,1111,1111,1111,1111
5	1FFFF	1,1111,1111,1111,1111
6	1FFFF	1,1111,1111,1111,1111
7	1FFFF	1,1111,1111,1111,1111
8	1FFFF	1,1111,1111,1111,1111
9	1FFFF	1,1111,1111,1111,1111
10	1FFFF	1,1111,1111,1111,1111
11	1FFFF	1,1111,1111,1111,1111
12	00000	0,0000,0000,0000,0000

C9HNSTRCAL16

```

OAPEL:  C9HNSTRCAL16          ALIAS:  C9HNSTRCAL02
EXT:    R                    PSID:   DA
SCLK1:  04027956:00:0        SCLK2:  04027956:12:0
SCET1:  1997-185/15:47:45.866 SCET2:  1997-185/15:47:53.866
TARGET: SKY                  PARTITION: 1
  
```

```

MODE:    7                    GAIN:    4
CHOP:    1                    GRAT_OFF: 4
PTAB_A:  1 1 015 012         PTAB_B:  1 1 015 012
ECAL:    0                    OPCAL:   0
R/T:     1                    RECORD:  0
  
```

```

MB_DOWN: 11011              MB_UP:    11011
COMP_FLAG: 0
EST_COMP: 0.0              EST_COMPV: 0.0
RATE_CON1: 00000          RATE_CON2: 00000
NWAVETOT: 17              TLMFMT:  RT
  
```

```

THRESHOLD_SEL: 0
THRESHOLD_VALUES: 000, 000, 000, 000, 000, 000, 000, 000, 000, 000
                  000, 000, 000, 000, 000, 000, 000, 000, 000
  
```

```

WETGID:  0702204000        07  02  204  000
WTGRP_SIZ:  2
  
```

EDIT TABLE

GRATING STEP	HEX MASK	DETECTOR MASK
0	1FFFF	1,1111,1111,1111,1111
1	1FFFF	1,1111,1111,1111,1111
2	1FFFF	1,1111,1111,1111,1111
3	1FFFF	1,1111,1111,1111,1111
4	1FFFF	1,1111,1111,1111,1111
5	1FFFF	1,1111,1111,1111,1111
6	1FFFF	1,1111,1111,1111,1111
7	1FFFF	1,1111,1111,1111,1111
8	1FFFF	1,1111,1111,1111,1111
9	1FFFF	1,1111,1111,1111,1111
10	1FFFF	1,1111,1111,1111,1111
11	1FFFF	1,1111,1111,1111,1111
12	00000	0,0000,0000,0000,0000

C9HNSTRCAL17

```

OAPEL: C9HNSTRCAL17      ALIAS: C9HNSTRCAL02
EXT: R                    PSID: DA
SCLK1: 04027957:00:0     SCLK2: 04027957:12:0
SCET1: 1997-185/15:48:46.533 SCET2: 1997-185/15:48:54.533
TARGET: SKY              PARTITION: 1
  
```

```

MODE: 7                  GAIN: 4
CHOP: 1                 GRAT_OFF: 4
PTAB_A: 1 1 016 012    PTAB_B: 1 1 016 012
ECAL: 0                 OPCAL: 0
R/T: 1                  RECORD: 0
  
```

```

MB_DOWN: 11011          MB_UP: 11011
COMP_FLAG: 0
EST_COMP: 0.0           EST_COMPV: 0.0
RATE_CON1: 00000        RATE_CON2: 00000
NWAVETOT: 17           TLMFMT: RT
  
```

```

THRESHOLD_SEL: 0
THRESHOLD_VALUES: 000, 000, 000, 000, 000, 000, 000, 000, 000, 000
                  000, 000, 000, 000, 000, 000, 000, 000, 000
  
```

```

WETGID: 0702204000      07 02 204 000
WTGRP_SIZ: 2
  
```

EDIT TABLE

GRATING STEP	HEX MASK	DETECTOR MASK
0	1FFFF	1,1111,1111,1111,1111
1	1FFFF	1,1111,1111,1111,1111
2	1FFFF	1,1111,1111,1111,1111
3	1FFFF	1,1111,1111,1111,1111
4	1FFFF	1,1111,1111,1111,1111
5	1FFFF	1,1111,1111,1111,1111
6	1FFFF	1,1111,1111,1111,1111
7	1FFFF	1,1111,1111,1111,1111
8	1FFFF	1,1111,1111,1111,1111
9	1FFFF	1,1111,1111,1111,1111
10	1FFFF	1,1111,1111,1111,1111
11	1FFFF	1,1111,1111,1111,1111
12	00000	0,0000,0000,0000,0000

C9HNSTRCAL18

```

OAPEL:  C9HNSTRCAL18          ALIAS:  C9HNSTRCAL02
EXT:    R                     PSID:    DA
SCLK1:  04027958:00:0        SCLK2:  04027958:12:0
SCET1:  1997-185/15:49:47.200 SCET2:  1997-185/15:49:55.200
TARGET: SKY                   PARTITION: 1
    
```

```

MODE:    7                     GAIN:    4
CHOP:    1                     GRAT_OFF: 4
PTAB_A:  1 1 017 012          PTAB_B:  1 1 017 012
ECAL:    0                     OPCAL:   0
R/T:     1                     RECORD:  0
    
```

```

MB_DOWN: 11011                MB_UP:   11011
COMP_FLAG: 0                  EST_COMPV: 0.0
EST_COMP: 0.0                RATE_CON2: 00000
RATE_CON1: 00000            TLMFMT:  RT
NWAVETOT: 17
    
```

```

THRESHOLD_SEL: 0
THRESHOLD_VALUES: 000, 000, 000, 000, 000, 000, 000, 000, 000, 000
                  000, 000, 000, 000, 000, 000, 000, 000, 000
    
```

```

WETGID:  0702204000          07  02  204  000
WTGRP_SIZ: 2
    
```

EDIT TABLE

GRATING STEP	HEX MASK	DETECTOR MASK
0	1FFFF	1,1111,1111,1111,1111
1	1FFFF	1,1111,1111,1111,1111
2	1FFFF	1,1111,1111,1111,1111
3	1FFFF	1,1111,1111,1111,1111
4	1FFFF	1,1111,1111,1111,1111
5	1FFFF	1,1111,1111,1111,1111
6	1FFFF	1,1111,1111,1111,1111
7	1FFFF	1,1111,1111,1111,1111
8	1FFFF	1,1111,1111,1111,1111
9	1FFFF	1,1111,1111,1111,1111
10	1FFFF	1,1111,1111,1111,1111
11	1FFFF	1,1111,1111,1111,1111
12	00000	0,0000,0000,0000,0000

C9HNSTRCAL19

```

OAPEL:  C9HNSTRCAL19          ALIAS:  C9HNSTRCAL02
EXT:    R                    PSID:    DA
SCLK1:  04027959:00:0        SCLK2:  04027959:12:0
SCET1:  1997-185/15:50:47.866 SCET2:  1997-185/15:50:55.866
TARGET: SKY                  PARTITION: 1
    
```

```

MODE:    7                    GAIN:    4
CHOP:    1                    GRAT_OFF: 4
PTAB_A:  1 1 018 012        PTAB_B:  1 1 018 012
ECAL:    0                    OPCAL:   0
R/T:     1                    RECORD:  0
    
```

```

MB_DOWN: 11011              MB_UP:   11011
COMP_FLAG: 0                EST_COMPV: 0.0
EST_COMP:  0.0              RATE_CON2: 00000
RATE_CON1: 00000            TLMFMT:  RT
NWAVETOT: 17
    
```

```

THRESHOLD_SEL: 0
THRESHOLD_VALUES: 000, 000, 000, 000, 000, 000, 000, 000, 000, 000
                  000, 000, 000, 000, 000, 000, 000, 000, 000
    
```

```

WETGID:  0702204000        07  02  204  000
WTGRP_SIZ:  2
    
```

EDIT TABLE

GRATING STEP	HEX MASK	DETECTOR MASK
0	1FFFF	1,1111,1111,1111,1111
1	1FFFF	1,1111,1111,1111,1111
2	1FFFF	1,1111,1111,1111,1111
3	1FFFF	1,1111,1111,1111,1111
4	1FFFF	1,1111,1111,1111,1111
5	1FFFF	1,1111,1111,1111,1111
6	1FFFF	1,1111,1111,1111,1111
7	1FFFF	1,1111,1111,1111,1111
8	1FFFF	1,1111,1111,1111,1111
9	1FFFF	1,1111,1111,1111,1111
10	1FFFF	1,1111,1111,1111,1111
11	1FFFF	1,1111,1111,1111,1111
12	00000	0,0000,0000,0000,0000

C9HNSTRCAL20

```

OAPEL:  C9HNSTRCAL20          ALIAS:  C9HNSTRCAL02
EXT:    R                    PSID:   DA
SCLK1:  04027960:00:0        SCLK2:  04027960:12:0
SCET1:  1997-185/15:51:48.533 SCET2:  1997-185/15:51:56.533
TARGET: SKY                  PARTITION: 1
    
```

```

MODE:    7                    GAIN:    4
CHOP:    1                    GRAT_OFF: 4
PTAB_A:  1 1 019 012        PTAB_B:  1 1 019 012
ECAL:    0                    OPCAL:   0
R/T:     1                    RECORD:  0
    
```

```

MB_DOWN: 11011              MB_UP:   11011
COMP_FLAG: 0
EST_COMP: 0.0              EST_COMPV: 0.0
RATE_CON1: 00000          RATE_CON2: 00000
NWAVETOT: 17              TLMFMT:  RT
    
```

```

THRESHOLD_SEL: 0
THRESHOLD_VALUES: 000, 000, 000, 000, 000, 000, 000, 000, 000, 000
                  000, 000, 000, 000, 000, 000, 000, 000, 000
    
```

```

WETGID:  0702204000        07  02  204  000
WTGRP_SIZ: 2
    
```

EDIT TABLE

GRATING STEP	HEX MASK	DETECTOR MASK
0	1FFFF	1,1111,1111,1111,1111
1	1FFFF	1,1111,1111,1111,1111
2	1FFFF	1,1111,1111,1111,1111
3	1FFFF	1,1111,1111,1111,1111
4	1FFFF	1,1111,1111,1111,1111
5	1FFFF	1,1111,1111,1111,1111
6	1FFFF	1,1111,1111,1111,1111
7	1FFFF	1,1111,1111,1111,1111
8	1FFFF	1,1111,1111,1111,1111
9	1FFFF	1,1111,1111,1111,1111
10	1FFFF	1,1111,1111,1111,1111
11	1FFFF	1,1111,1111,1111,1111
12	00000	0,0000,0000,0000,0000

C9HNSTRCAL21

```

OAPEL:  C9HNSTRCAL21          ALIAS:  C9HNSTRCAL02
EXT:    R                    PSID:   DA
SCLK1:  04027961:00:0        SCLK2:  04027961:12:0
SCET1:  1997-185/15:52:49.200 SCET2:  1997-185/15:52:57.200
TARGET: SKY                  PARTITION: 1
    
```

```

MODE:    7                    GAIN:    4
CHOP:    1                    GRAT_OFF: 4
PTAB_A:  1 1 020 012        PTAB_B:  1 1 020 012
ECAL:    0                    OPCAL:   0
R/T:     1                    RECORD:  0
    
```

```

MB_DOWN: 11011              MB_UP:   11011
COMP_FLAG: 0                EST_COMPV: 0.0
EST_COMP: 0.0              RATE_CON2: 00000
RATE_CON1: 00000          TLMFMT:  RT
NWAVETOT: 17
    
```

```

THRESHOLD_SEL: 0
THRESHOLD_VALUES: 000, 000, 000, 000, 000, 000, 000, 000, 000, 000
                  000, 000, 000, 000, 000, 000, 000, 000, 000
    
```

```

WETGID:  0702204000        07  02  204  000
WTGRP_SIZ:  2
    
```

EDIT TABLE

GRATING STEP	HEX MASK	DETECTOR MASK
0	1FFFF	1,1111,1111,1111,1111
1	1FFFF	1,1111,1111,1111,1111
2	1FFFF	1,1111,1111,1111,1111
3	1FFFF	1,1111,1111,1111,1111
4	1FFFF	1,1111,1111,1111,1111
5	1FFFF	1,1111,1111,1111,1111
6	1FFFF	1,1111,1111,1111,1111
7	1FFFF	1,1111,1111,1111,1111
8	1FFFF	1,1111,1111,1111,1111
9	1FFFF	1,1111,1111,1111,1111
10	1FFFF	1,1111,1111,1111,1111
11	1FFFF	1,1111,1111,1111,1111
12	00000	0,0000,0000,0000,0000

C9HNSTRCAL22

```

OAPEL:  C9HNSTRCAL22          ALIAS:  C9HNSTRCAL02
EXT:    R                      PSID:    DA
SCLK1:  04027962:00:0         SCLK2:  04027962:12:0
SCET1:  1997-185/15:53:49.866 SCET2:  1997-185/15:53:57.866
TARGET: SKY                    PARTITION: 1
    
```

```

MODE:    7                      GAIN:    4
CHOP:    1                      GRAT_OFF: 4
PTAB_A:  1 1 021 012          PTAB_B:  1 1 021 012
ECAL:    0                      OPCAL:   0
R/T:     1                      RECORD:  0
    
```

```

MB_DOWN: 11011                 MB_UP:   11011
COMP_FLAG: 0
EST_COMP: 0.0                 EST_COMPV: 0.0
RATE_CON1: 00000              RATE_CON2: 00000
NWAVETOT: 17                  TLMFMT:  RT
    
```

```

THRESHOLD_SEL: 0
THRESHOLD_VALUES: 000, 000, 000, 000, 000, 000, 000, 000, 000, 000
                  000, 000, 000, 000, 000, 000, 000, 000, 000
    
```

```

WETGID:  0702204000          07  02  204  000
WTGRP_SIZ:  2
    
```

EDIT TABLE

GRATING STEP	HEX MASK	DETECTOR MASK
0	1FFFF	1,1111,1111,1111,1111
1	1FFFF	1,1111,1111,1111,1111
2	1FFFF	1,1111,1111,1111,1111
3	1FFFF	1,1111,1111,1111,1111
4	1FFFF	1,1111,1111,1111,1111
5	1FFFF	1,1111,1111,1111,1111
6	1FFFF	1,1111,1111,1111,1111
7	1FFFF	1,1111,1111,1111,1111
8	1FFFF	1,1111,1111,1111,1111
9	1FFFF	1,1111,1111,1111,1111
10	1FFFF	1,1111,1111,1111,1111
11	1FFFF	1,1111,1111,1111,1111
12	00000	0,0000,0000,0000,0000

C9HNSTRCAL23

```

OAPEL:  C9HNSTRCAL23          ALIAS:  C9HNSTRCAL02
EXT:    R                    PSID:    DA
SCLK1:  04027963:00:0        SCLK2:  04027963:12:0
SCET1:  1997-185/15:54:50.533 SCET2:  1997-185/15:54:58.533
TARGET: SKY                  PARTITION: 1
    
```

```

MODE:    7                    GAIN:    4
CHOP:    1                    GRAT_OFF: 4
PTAB_A:  1 1 022 012        PTAB_B:  1 1 022 012
ECAL:    0                    OPCAL:   0
R/T:     1                    RECORD:  0
    
```

```

MB_DOWN: 11011                MB_UP:   11011
COMP_FLAG: 0                  EST_COMPV: 0.0
EST_COMP:  0.0                RATE_CON2: 00000
RATE_CON1: 00000              TLMFMT:  RT
NWAVETOT: 17
    
```

```

THRESHOLD_SEL: 0
THRESHOLD_VALUES: 000, 000, 000, 000, 000, 000, 000, 000, 000, 000
                  000, 000, 000, 000, 000, 000, 000, 000, 000
    
```

```

WETGID:  0702204000          07  02  204  000
WTGRP_SIZ:  2
    
```

EDIT TABLE

GRATING STEP	HEX MASK	DETECTOR MASK
0	1FFFF	1,1111,1111,1111,1111
1	1FFFF	1,1111,1111,1111,1111
2	1FFFF	1,1111,1111,1111,1111
3	1FFFF	1,1111,1111,1111,1111
4	1FFFF	1,1111,1111,1111,1111
5	1FFFF	1,1111,1111,1111,1111
6	1FFFF	1,1111,1111,1111,1111
7	1FFFF	1,1111,1111,1111,1111
8	1FFFF	1,1111,1111,1111,1111
9	1FFFF	1,1111,1111,1111,1111
10	1FFFF	1,1111,1111,1111,1111
11	1FFFF	1,1111,1111,1111,1111
12	00000	0,0000,0000,0000,0000

C9HNSTRCAL24

```

OAPEL:  C9HNSTRCAL24          ALIAS:  C9HNSTRCAL02
EXT:    R                      PSID:    DA
SCLK1:  04027964:00:0        SCLK2:  04027964:28:0
SCET1:  1997-185/15:55:51.200 SCET2:  1997-185/15:55:59.866
TARGET: SKY                   PARTITION: 1
    
```

```

MODE:    7                      GAIN:    4
CHOP:    1                      GRAT_OFF: 4
PTAB_A:  1 1 023 012          PTAB_B:  1 1 023 012
ECAL:    0                      OPCAL:   0
R/T:     1                      RECORD:  0
    
```

```

MB_DOWN: 11011                 MB_UP:   11011
COMP_FLAG: 0
EST_COMP: 0.0                  EST_COMPV: 0.0
RATE_CON1: 00000              RATE_CON2: 00000
NWAVETOT: 17                  TLMFMT:  RT
    
```

```

THRESHOLD_SEL: 0
THRESHOLD_VALUES: 000, 000, 000, 000, 000, 000, 000, 000, 000, 000
                  000, 000, 000, 000, 000, 000, 000, 000, 000
    
```

```

WETGID:  0702204000          07  02  204  000
WTGRP_SIZ:  2
    
```

EDIT TABLE

GRATING STEP	HEX MASK	DETECTOR MASK
0	1FFFF	1,1111,1111,1111,1111
1	1FFFF	1,1111,1111,1111,1111
2	1FFFF	1,1111,1111,1111,1111
3	1FFFF	1,1111,1111,1111,1111
4	1FFFF	1,1111,1111,1111,1111
5	1FFFF	1,1111,1111,1111,1111
6	1FFFF	1,1111,1111,1111,1111
7	1FFFF	1,1111,1111,1111,1111
8	1FFFF	1,1111,1111,1111,1111
9	1FFFF	1,1111,1111,1111,1111
10	1FFFF	1,1111,1111,1111,1111
11	1FFFF	1,1111,1111,1111,1111
12	00000	0,0000,0000,0000,0000

C9JNAURRTB05

```

OAPEL: C9JNAURRTB05      ALIAS: C9JNAURRTB05
EXT: R                    PSID: MX
SCLK1: 04027973:00:0     SCLK2: 04027977:12:0
SCET1: 1997-185/16:04:57.200 SCET2: 1997-185/16:09:07.866
TARGET: JUPITER          PARTITION: 1
  
```

```

MODE: 3                  GAIN: 4
CHOP: 1                 GRAT_OFF: 4
PTAB_A: 1 1 0 0 124    PTAB_B: 1 1 0 0 124
ECAL: 0                 OPCAL: 0
R/T: 1                  RECORD: 0
  
```

```

MB_DOWN: 11011          MB_UP: 11011
COMP_FLAG: 0
EST_COMP: 0.0           EST_COMPV: 0.0
RATE_CON1: 00000        RATE_CON2: 00000
NWAVETOT: 408           TLMFMT: RT
  
```

```

THRESHOLD_SEL: 0
THRESHOLD_VALUES: 000, 000, 000, 000, 000, 000, 000, 000, 000, 000
                  000, 000, 000, 000, 000, 000, 000, 000, 000
  
```

```

WETGID: 0302408000      03 02 408 000
WTGRP_SIZ: 2
  
```

EDIT TABLE

GRATING STEP	HEX MASK	DETECTOR MASK
0	1FFFF	1,1111,1111,1111,1111
1	1FFFF	1,1111,1111,1111,1111
2	1FFFF	1,1111,1111,1111,1111
3	1FFFF	1,1111,1111,1111,1111
4	1FFFF	1,1111,1111,1111,1111
5	1FFFF	1,1111,1111,1111,1111
6	1FFFF	1,1111,1111,1111,1111
7	1FFFF	1,1111,1111,1111,1111
8	1FFFF	1,1111,1111,1111,1111
9	1FFFF	1,1111,1111,1111,1111
10	1FFFF	1,1111,1111,1111,1111
11	1FFFF	1,1111,1111,1111,1111
12	1FFFF	1,1111,1111,1111,1111
13	1FFFF	1,1111,1111,1111,1111
14	1FFFF	1,1111,1111,1111,1111
15	1FFFF	1,1111,1111,1111,1111
16	1FFFF	1,1111,1111,1111,1111
17	1FFFF	1,1111,1111,1111,1111
18	1FFFF	1,1111,1111,1111,1111
19	1FFFF	1,1111,1111,1111,1111
20	1FFFF	1,1111,1111,1111,1111
21	1FFFF	1,1111,1111,1111,1111
22	1FFFF	1,1111,1111,1111,1111
23	1FFFF	1,1111,1111,1111,1111
24	00000	0,0000,0000,0000,0000
25	00000	0,0000,0000,0000,0000

C9JNAUCAMB02

```

OAPEL: C9JNAUCAMB02      ALIAS: C9JNAUCAMB02
EXT: A                    PSID: MT
SCLK1: 04027984:00:0     SCLK2: 04027989:00:0
SCET1: 97-185/16:16:04.533 SCET2: 97-185/16:21:07.866
TARGET: JUPITER          PARTITION: 1
  
```

```

MODE: 1                   GAIN: 4
CHOP: 1                   GRAT_OFF: 4
PTAB_A: 1 1 0 0 212      PTAB_B: 1 1 0 0 212
ECAL: 0                   OPCAL: 0
R/T: 0                    RECORD: 1
  
```

```

MB_DOWN: 00000           MB_UP: 00000
COMP_FLAG: 1
EST_COMP: 2.0            EST_COMPV: 0.3
RATE_CON1: 00000        RATE_CON2: 65525
NWAVETOT: 126           TLMFMT: LPU
  
```

```

THRESHOLD_SEL: 0
THRESHOLD_VALUES: 000, 000, 000, 000, 000, 000, 000, 000, 000, 000
                  000, 000, 000, 000, 000, 000, 000, 000, 000
  
```

```

WETGID: 0113126001      01 13 126 001
WTGRP_SIZ: 13
  
```

EDIT TABLE

GRATING STEP	HEX MASK	DETECTOR MASK
0	03DFC	0,0011,1101,1111,1100
1	03DFC	0,0011,1101,1111,1100
2	03DFC	0,0011,1101,1111,1100
3	03DFC	0,0011,1101,1111,1100
4	03DFC	0,0011,1101,1111,1100
5	03DFC	0,0011,1101,1111,1100
6	03DF8	0,0011,1101,1111,1000
7	03DF8	0,0011,1101,1111,1000
8	03DF8	0,0011,1101,1111,1000
9	03DF8	0,0011,1101,1111,1000
10	03DF8	0,0011,1101,1111,1000
11	03DF8	0,0011,1101,1111,1000
12	00000	0,0000,0000,0000,0000

C9NNRCTRLT01

```

OAPEL: C9NNRCTRLT01      ALIAS: LSNNRCTRTA01
EXT: R                    PSID: XU
SCLK1: 04041131:00:0     SCLK2: 04041131:12:0
SCET1: 1997-194/21:49:08.733 SCET2: 1997-194/21:49:16.733
TARGET: CAL              PARTITION: 1
  
```

```

MODE: 3                  GAIN: 1
CHOP: 1                  GRAT_OFF: 4
PTAB_A: 1 1 1 0 124     PTAB_B: 1 1 1 0 124
ECAL: 0                  OPCAL: 0
R/T: 1                   RECORD: 0
  
```

```

MB_DOWN: 11011          MB_UP: 11011
COMP_FLAG: 0
EST_COMP: 0.0           EST_COMPV: 0.0
RATE_CON1: 00000        RATE_CON2: 00000
NWAVETOT: 252          TLMFMT: RT
  
```

```

THRESHOLD_SEL: 0
THRESHOLD_VALUES: 000, 000, 000, 000, 000, 000, 000, 000, 000, 000
                  000, 000, 000, 000, 000, 000, 000, 000, 000
  
```

```

WETGID: 0303252000      03 03 252 000
WTGRP_SIZ: 3
  
```

EDIT TABLE

GRATING STEP	HEX MASK	DETECTOR MASK
0	003FF	0,0000,0011,1111,1111
1	003FF	0,0000,0011,1111,1111
2	003FF	0,0000,0011,1111,1111
3	003FF	0,0000,0011,1111,1111
4	003FF	0,0000,0011,1111,1111
5	003FF	0,0000,0011,1111,1111
6	003FF	0,0000,0011,1111,1111
7	003FF	0,0000,0011,1111,1111
8	003FF	0,0000,0011,1111,1111
9	003FF	0,0000,0011,1111,1111
10	003FF	0,0000,0011,1111,1111
11	003FF	0,0000,0011,1111,1111
12	007FF	0,0000,0111,1111,1111
13	007FF	0,0000,0111,1111,1111
14	007FF	0,0000,0111,1111,1111
15	007FF	0,0000,0111,1111,1111
16	007FF	0,0000,0111,1111,1111
17	007FF	0,0000,0111,1111,1111
18	007FF	0,0000,0111,1111,1111
19	007FF	0,0000,0111,1111,1111
20	007FF	0,0000,0111,1111,1111
21	007FF	0,0000,0111,1111,1111
22	007FF	0,0000,0111,1111,1111
23	007FF	0,0000,0111,1111,1111
24	00000	0,0000,0000,0000,0000
25	00000	0,0000,0000,0000,0000

C9NNRCTRLT01

```

OAPEL: C9NNRCTRLT01      ALIAS: LSNNRCTRTA01
EXT: S                    PSID: XU
SCLK1: 04041137:00:0     SCLK2: 04041138:12:0
SCET1: 1997-194/21:55:02.733 SCET2: 1997-194/21:56:21.400
TARGET: CAL              PARTITION: 1
  
```

```

MODE: 3                  GAIN: 1
CHOP: 1                 GRAT_OFF: 4
PTAB_A: 1 1 1 0 124    PTAB_B: 1 1 1 0 124
ECAL: 0                 OPCAL: 0
R/T: 1                  RECORD: 0
  
```

```

MB_DOWN: 11011          MB_UP: 11011
COMP_FLAG: 0
EST_COMP: 0.0           EST_COMPV: 0.0
RATE_CON1: 00000        RATE_CON2: 00000
NWAVETOT: 252           TLMFMT: RT
  
```

```

THRESHOLD_SEL: 0
THRESHOLD_VALUES: 000, 000, 000, 000, 000, 000, 000, 000, 000, 000
                  000, 000, 000, 000, 000, 000, 000, 000, 000
  
```

```

WETGID: 0303252000      03 03 252 000
WTGRP_SIZ: 3
  
```

EDIT TABLE

GRATING STEP	HEX MASK	DETECTOR MASK
0	003FF	0,0000,0011,1111,1111
1	003FF	0,0000,0011,1111,1111
2	003FF	0,0000,0011,1111,1111
3	003FF	0,0000,0011,1111,1111
4	003FF	0,0000,0011,1111,1111
5	003FF	0,0000,0011,1111,1111
6	003FF	0,0000,0011,1111,1111
7	003FF	0,0000,0011,1111,1111
8	003FF	0,0000,0011,1111,1111
9	003FF	0,0000,0011,1111,1111
10	003FF	0,0000,0011,1111,1111
11	003FF	0,0000,0011,1111,1111
12	007FF	0,0000,0111,1111,1111
13	007FF	0,0000,0111,1111,1111
14	007FF	0,0000,0111,1111,1111
15	007FF	0,0000,0111,1111,1111
16	007FF	0,0000,0111,1111,1111
17	007FF	0,0000,0111,1111,1111
18	007FF	0,0000,0111,1111,1111
19	007FF	0,0000,0111,1111,1111
20	007FF	0,0000,0111,1111,1111
21	007FF	0,0000,0111,1111,1111
22	007FF	0,0000,0111,1111,1111
23	007FF	0,0000,0111,1111,1111
24	00000	0,0000,0000,0000,0000
25	00000	0,0000,0000,0000,0000

C9NNRCTRLT01

```

OAPEL: C9NNRCTRLT01      ALIAS: LSNNRCTRTA01
EXT: T                    PSID: XU
SCLK1: 04041143:00:0     SCLK2: 04041143:12:0
SCET1: 1997-194/22:00:76.733 SCET2: 1997-194/22:01:24.733
TARGET: CAL              PARTITION: 1
  
```

```

MODE: 3                  GAIN: 1
CHOP: 1                 GRAT_OFF: 4
PTAB_A: 1 1 1 0 124    PTAB_B: 1 1 1 0 124
ECAL: 0                 OPCAL: 0
R/T: 1                  RECORD: 0
  
```

```

MB_DOWN: 11011          MB_UP: 11011
COMP_FLAG: 0
EST_COMP: 0.0           EST_COMPV: 0.0
RATE_CON1: 00000        RATE_CON2: 00000
NWAVETOT: 252           TLMFMT: RT
  
```

```

THRESHOLD_SEL: 0
THRESHOLD_VALUES: 000, 000, 000, 000, 000, 000, 000, 000, 000, 000
                  000, 000, 000, 000, 000, 000, 000, 000, 000
  
```

```

WETGID: 0303252000      03 03 252 000
WTGRP_SIZ: 3
  
```

EDIT TABLE

GRATING STEP	HEX MASK	DETECTOR MASK
0	003FF	0,0000,0011,1111,1111
1	003FF	0,0000,0011,1111,1111
2	003FF	0,0000,0011,1111,1111
3	003FF	0,0000,0011,1111,1111
4	003FF	0,0000,0011,1111,1111
5	003FF	0,0000,0011,1111,1111
6	003FF	0,0000,0011,1111,1111
7	003FF	0,0000,0011,1111,1111
8	003FF	0,0000,0011,1111,1111
9	003FF	0,0000,0011,1111,1111
10	003FF	0,0000,0011,1111,1111
11	003FF	0,0000,0011,1111,1111
12	007FF	0,0000,0111,1111,1111
13	007FF	0,0000,0111,1111,1111
14	007FF	0,0000,0111,1111,1111
15	007FF	0,0000,0111,1111,1111
16	007FF	0,0000,0111,1111,1111
17	007FF	0,0000,0111,1111,1111
18	007FF	0,0000,0111,1111,1111
19	007FF	0,0000,0111,1111,1111
20	007FF	0,0000,0111,1111,1111
21	007FF	0,0000,0111,1111,1111
22	007FF	0,0000,0111,1111,1111
23	007FF	0,0000,0111,1111,1111
24	00000	0,0000,0000,0000,0000
25	00000	0,0000,0000,0000,0000

C9NNPCTRLT01

```

OAPEL:  C9NNPCTRLT01          ALIAS:  C9NNPCTRLT01
EXT:    R                      PSID:    FT
SCLK1:  04041893:00:0        SCLK2:  04041894:12:0
SCET1:  1997-195/10:39:36.666 SCET2:  1997-195/10:40:45.333
TARGET: CAL                   PARTITION: 1
  
```

```

MODE:    3                      GAIN:    4
CHOP:    1                      GRAT_OFF: 4
PTAB_A:  1 1 0 0 124          PTAB_B:  1 1 0 0 124
ECAL:    0                      OPCAL:   0
R/T:     1                      RECORD:  0
  
```

```

MB_DOWN: 11011                 MB_UP:   11011
COMP_FLAG: 0
EST_COMP: 0.0                  EST_COMPV: 0.0
RATE_CON1: 00000              RATE_CON2: 00000
NWAVETOT: 252                  TLMFMT:  RT
  
```

```

THRESHOLD_SEL: 0
THRESHOLD_VALUES: 000, 000, 000, 000, 000, 000, 000, 000, 000, 000
                   000, 000, 000, 000, 000, 000, 000, 000, 000
  
```

```

WETGID:  0303252000          03 03 252 000
WTGRP_SIZ: 3
  
```

EDIT TABLE

GRATING STEP	HEX MASK	DETECTOR MASK
0	1FFC0	1,1111,1111,1100,0000
1	1FFC0	1,1111,1111,1100,0000
2	1FFC0	1,1111,1111,1100,0000
3	1FFC0	1,1111,1111,1100,0000
4	1FFC0	1,1111,1111,1100,0000
5	1FFC0	1,1111,1111,1100,0000
6	1FFC0	1,1111,1111,1100,0000
7	1FFC0	1,1111,1111,1100,0000
8	1FFC0	1,1111,1111,1100,0000
9	1FFC0	1,1111,1111,1100,0000
10	1FFC0	1,1111,1111,1100,0000
11	1FFC0	1,1111,1111,1100,0000
12	1FF80	1,1111,1111,1000,0000
13	1FF80	1,1111,1111,1000,0000
14	1FF80	1,1111,1111,1000,0000
15	1FF80	1,1111,1111,1000,0000
16	1FF80	1,1111,1111,1000,0000
17	1FF80	1,1111,1111,1000,0000
18	1FF80	1,1111,1111,1000,0000
19	1FF80	1,1111,1111,1000,0000
20	1FF80	1,1111,1111,1000,0000
21	1FF80	1,1111,1111,1000,0000
22	1FF80	1,1111,1111,1000,0000
23	1FF80	1,1111,1111,1000,0000
24	00000	0,0000,0000,0000,0000
25	00000	0,0000,0000,0000,0000

C9NNPCTRLT01

```

OAPEL: C9NNPCTRLT01      ALIAS: C9NNPCTRLT01
EXT: S                    PSID: FT
SCLK1: 04041899:00:0     SCLK2: 04041906:90:0
SCET1: 1997-195/10:45:40.666 SCET2: 1997-195/10:53:45.333
TARGET: CAL              PARTITION: 1
  
```

```

MODE: 3                  GAIN: 4
CHOP: 1                 GRAT_OFF: 4
PTAB_A: 1 1 0 0 124    PTAB_B: 1 1 0 0 124
ECAL: 0                 OPCAL: 0
R/T: 1                  RECORD: 0
  
```

```

MB_DOWN: 11011          MB_UP: 11011
COMP_FLAG: 0
EST_COMP: 0.0           EST_COMPV: 0.0
RATE_CON1: 00000       RATE_CON2: 00000
NWAVETOT: 252          TLMFMT: RT
  
```

```

THRESHOLD_SEL: 0
THRESHOLD_VALUES: 000, 000, 000, 000, 000, 000, 000, 000, 000, 000
                  000, 000, 000, 000, 000, 000, 000, 000, 000
  
```

```

WETGID: 0303252000      03 03 252 000
WTGRP_SIZ: 3
  
```

EDIT TABLE

GRATING STEP	HEX MASK	DETECTOR MASK
0	1FFC0	1,1111,1111,1100,0000
1	1FFC0	1,1111,1111,1100,0000
2	1FFC0	1,1111,1111,1100,0000
3	1FFC0	1,1111,1111,1100,0000
4	1FFC0	1,1111,1111,1100,0000
5	1FFC0	1,1111,1111,1100,0000
6	1FFC0	1,1111,1111,1100,0000
7	1FFC0	1,1111,1111,1100,0000
8	1FFC0	1,1111,1111,1100,0000
9	1FFC0	1,1111,1111,1100,0000
10	1FFC0	1,1111,1111,1100,0000
11	1FFC0	1,1111,1111,1100,0000
12	1FF80	1,1111,1111,1000,0000
13	1FF80	1,1111,1111,1000,0000
14	1FF80	1,1111,1111,1000,0000
15	1FF80	1,1111,1111,1000,0000
16	1FF80	1,1111,1111,1000,0000
17	1FF80	1,1111,1111,1000,0000
18	1FF80	1,1111,1111,1000,0000
19	1FF80	1,1111,1111,1000,0000
20	1FF80	1,1111,1111,1000,0000
21	1FF80	1,1111,1111,1000,0000
22	1FF80	1,1111,1111,1000,0000
23	1FF80	1,1111,1111,1000,0000
24	00000	0,0000,0000,0000,0000
25	00000	0,0000,0000,0000,0000

C9NNPCTRLT01

```

OAPEL: C9NNPCTRLT01      ALIAS: C9NNPCTRLT01
EXT: T                    PSID: FT
SCLK1: 04041907:00:0     SCLK2: 04041908:12:0
SCET1: 1997-195/10:53:46.000 SCET2: 1997-195/10:54:54.666
TARGET: CAL              PARTITION: 1
  
```

```

MODE: 3                  GAIN: 4
CHOP: 1                 GRAT_OFF: 4
PTAB_A: 1 1 1 0 124    PTAB_B: 1 1 1 0 124
ECAL: 0                 OPCAL: 0
R/T: 1                  RECORD: 0
  
```

```

MB_DOWN: 11011          MB_UP: 11011
COMP_FLAG: 0
EST_COMP: 0.0           EST_COMPV: 0.0
RATE_CON1: 00000       RATE_CON2: 00000
NWAVETOT: 252          TLMFMT: RT
  
```

```

THRESHOLD_SEL: 0
THRESHOLD_VALUES: 000, 000, 000, 000, 000, 000, 000, 000, 000, 000
                  000, 000, 000, 000, 000, 000, 000, 000, 000
  
```

```

WETGID: 0303252000      03 03 252 000
WTGRP_SIZ: 3
  
```

EDIT TABLE

GRATING STEP	HEX MASK	DETECTOR MASK
0	1FFC0	1,1111,1111,1100,0000
1	1FFC0	1,1111,1111,1100,0000
2	1FFC0	1,1111,1111,1100,0000
3	1FFC0	1,1111,1111,1100,0000
4	1FFC0	1,1111,1111,1100,0000
5	1FFC0	1,1111,1111,1100,0000
6	1FFC0	1,1111,1111,1100,0000
7	1FFC0	1,1111,1111,1100,0000
8	1FFC0	1,1111,1111,1100,0000
9	1FFC0	1,1111,1111,1100,0000
10	1FFC0	1,1111,1111,1100,0000
11	1FFC0	1,1111,1111,1100,0000
12	1FF80	1,1111,1111,1000,0000
13	1FF80	1,1111,1111,1000,0000
14	1FF80	1,1111,1111,1000,0000
15	1FF80	1,1111,1111,1000,0000
16	1FF80	1,1111,1111,1000,0000
17	1FF80	1,1111,1111,1000,0000
18	1FF80	1,1111,1111,1000,0000
19	1FF80	1,1111,1111,1000,0000
20	1FF80	1,1111,1111,1000,0000
21	1FF80	1,1111,1111,1000,0000
22	1FF80	1,1111,1111,1000,0000
23	1FF80	1,1111,1111,1000,0000
24	00000	0,0000,0000,0000,0000
25	00000	0,0000,0000,0000,0000

C9NNRCTRLT02

```

OAPEL: C9NNRCTRLT02          ALIAS: LSNNRCTRIB01
EXT: R                        PSID: XI
SCLK1: 04081944:00:0         SCLK2: 04081944:12:0
SCET1: 1997-223/13:35:35.866 SCET2: 1997-223/13:35:43.866
TARGET: CAL                   PARTITION: 1
  
```

```

MODE: 3                      GAIN: 1
CHOP: 1                      GRAT_OFF: 4
PTAB_A: 1 1 0 0 124         PTAB_B: 1 1 0 0 124
ECAL: 0                      OPCAL: 0
R/T: 1                       RECORD: 0
  
```

```

MB_DOWN: 11011              MB_UP: 11011
COMP_FLAG: 0
EST_COMP: 0.0              EST_COMPV: 0.0
RATE_CON1: 00000           RATE_CON2: 00000
NWAVETOT: 252              TLMFMT: RT
  
```

```

THRESHOLD_SEL: 0
THRESHOLD_VALUES: 000, 000, 000, 000, 000, 000, 000, 000, 000, 000
                  000, 000, 000, 000, 000, 000, 000, 000, 000
  
```

```

WETGID: 0303252000         03 03 252 000
WTGRP_SIZ: 3
  
```

EDIT TABLE

GRATING STEP	HEX MASK	DETECTOR MASK
0	003FF	0,0000,0011,1111,1111
1	003FF	0,0000,0011,1111,1111
2	003FF	0,0000,0011,1111,1111
3	003FF	0,0000,0011,1111,1111
4	003FF	0,0000,0011,1111,1111
5	003FF	0,0000,0011,1111,1111
6	003FF	0,0000,0011,1111,1111
7	003FF	0,0000,0011,1111,1111
8	003FF	0,0000,0011,1111,1111
9	003FF	0,0000,0011,1111,1111
10	003FF	0,0000,0011,1111,1111
11	003FF	0,0000,0011,1111,1111
12	007FF	0,0000,0111,1111,1111
13	007FF	0,0000,0111,1111,1111
14	007FF	0,0000,0111,1111,1111
15	007FF	0,0000,0111,1111,1111
16	007FF	0,0000,0111,1111,1111
17	007FF	0,0000,0111,1111,1111
18	007FF	0,0000,0111,1111,1111
19	007FF	0,0000,0111,1111,1111
20	007FF	0,0000,0111,1111,1111
21	007FF	0,0000,0111,1111,1111
22	007FF	0,0000,0111,1111,1111
23	007FF	0,0000,0111,1111,1111
24	00000	0,0000,0000,0000,0000
25	00000	0,0000,0000,0000,0000

C9NNRCTRLT02

```

OAPEL: C9NNRCTRLT02          ALIAS: LSNNRCTRIB01
EXT: S                        PSID: XI
SCLK1: 04081950:00:0        SCLK2: 04081951:12:0
SCET1: 1997-223/13:41:39.866 SCET2: 1997-223/13:42:48.533
TARGET: CAL                  PARTITION: 1
    
```

```

MODE: 3                      GAIN: 1
CHOP: 1                      GRAT_OFF: 4
PTAB_A: 1 1 0 0 124         PTAB_B: 1 1 0 0 124
ECAL: 0                      OPCAL: 0
R/T: 1                       RECORD: 0
    
```

```

MB_DOWN: 11011              MB_UP: 11011
COMP_FLAG: 0
EST_COMP: 0.0              EST_COMPV: 0.0
RATE_CON1: 00000           RATE_CON2: 00000
NWAVETOT: 252              TLMFMT: RT
    
```

```

THRESHOLD_SEL: 0
THRESHOLD_VALUES: 000, 000, 000, 000, 000, 000, 000, 000, 000, 000
                  000, 000, 000, 000, 000, 000, 000, 000, 000
    
```

```

WETGID: 0303252000        03 03 252 000
WTGRP_SIZ: 3
    
```

EDIT TABLE

GRATING STEP	HEX MASK	DETECTOR MASK
0	003FF	0,0000,0011,1111,1111
1	003FF	0,0000,0011,1111,1111
2	003FF	0,0000,0011,1111,1111
3	003FF	0,0000,0011,1111,1111
4	003FF	0,0000,0011,1111,1111
5	003FF	0,0000,0011,1111,1111
6	003FF	0,0000,0011,1111,1111
7	003FF	0,0000,0011,1111,1111
8	003FF	0,0000,0011,1111,1111
9	003FF	0,0000,0011,1111,1111
10	003FF	0,0000,0011,1111,1111
11	003FF	0,0000,0011,1111,1111
12	007FF	0,0000,0111,1111,1111
13	007FF	0,0000,0111,1111,1111
14	007FF	0,0000,0111,1111,1111
15	007FF	0,0000,0111,1111,1111
16	007FF	0,0000,0111,1111,1111
17	007FF	0,0000,0111,1111,1111
18	007FF	0,0000,0111,1111,1111
19	007FF	0,0000,0111,1111,1111
20	007FF	0,0000,0111,1111,1111
21	007FF	0,0000,0111,1111,1111
22	007FF	0,0000,0111,1111,1111
23	007FF	0,0000,0111,1111,1111
24	00000	0,0000,0000,0000,0000
25	00000	0,0000,0000,0000,0000

C9NNRCTRLT02

```

OAPEL: C9NNRCTRLT02          ALIAS: LSNNRCTRIB01
EXT: T                        PSID: XI
SCLK1: 04081956:00:0         SCLK2: 04081956:12:0
SCET1: 1997-223/13:47:43.866 SCET2: 1997-223/13:47:51.866
TARGET: CAL                   PARTITION: 1
  
```

```

MODE: 3                      GAIN: 1
CHOP: 1                      GRAT_OFF: 4
PTAB_A: 1 1 0 0 124         PTAB_B: 1 1 0 0 124
ECAL: 0                      OPCAL: 0
R/T: 1                       RECORD: 0
  
```

```

MB_DOWN: 11011              MB_UP: 11011
COMP_FLAG: 0
EST_COMP: 0.0              EST_COMPV: 0.0
RATE_CON1: 00000           RATE_CON2: 00000
NWAVETOT: 252              TLMFMT: RT
  
```

```

THRESHOLD_SEL: 0
THRESHOLD_VALUES: 000, 000, 000, 000, 000, 000, 000, 000, 000, 000
                  000, 000, 000, 000, 000, 000, 000, 000, 000
  
```

```

WETGID: 0303252000         03 03 252 000
WTGRP_SIZ: 3
  
```

EDIT TABLE

GRATING STEP	HEX MASK	DETECTOR MASK
0	003FF	0,0000,0011,1111,1111
1	003FF	0,0000,0011,1111,1111
2	003FF	0,0000,0011,1111,1111
3	003FF	0,0000,0011,1111,1111
4	003FF	0,0000,0011,1111,1111
5	003FF	0,0000,0011,1111,1111
6	003FF	0,0000,0011,1111,1111
7	003FF	0,0000,0011,1111,1111
8	003FF	0,0000,0011,1111,1111
9	003FF	0,0000,0011,1111,1111
10	003FF	0,0000,0011,1111,1111
11	003FF	0,0000,0011,1111,1111
12	007FF	0,0000,0111,1111,1111
13	007FF	0,0000,0111,1111,1111
14	007FF	0,0000,0111,1111,1111
15	007FF	0,0000,0111,1111,1111
16	007FF	0,0000,0111,1111,1111
17	007FF	0,0000,0111,1111,1111
18	007FF	0,0000,0111,1111,1111
19	007FF	0,0000,0111,1111,1111
20	007FF	0,0000,0111,1111,1111
21	007FF	0,0000,0111,1111,1111
22	007FF	0,0000,0111,1111,1111
23	007FF	0,0000,0111,1111,1111
24	00000	0,0000,0000,0000,0000
25	00000	0,0000,0000,0000,0000

C9JNGRS15601

```

OAPEL:  C9JNGRS15601      ALIAS:  C9JNGRS15601
EXT:    A                  PSID:   LJ
SCLK1:  04115205:00:0     SCLK2:  04115205:75:0
SCET1:   97-246/22:06:08.666  SCET2:   97-246/22:06:58.666
TARGET:  JUPITER          PARTITION:  1
    
```

```

MODE:    5                  GAIN:    2
CHOP:    1                  GRAT_OFF:  4
PTAB_A:  1 1 0 1 4 6      PTAB_B:  1 1 0 1 4 6
ECAL:    0                  OPCAL:    0
R/T:     0                  RECORD:   1
    
```

```

MB_DOWN: 00000            MB_UP:    00000
COMP_FLAG: 1              EST_COMPV: 0.3
EST_COMP:  2.0           RATE_CON2: 65525
RATE_CON1: 00000        TLMFMT:   LPU
NWAVETOT:  68
    
```

```

THRESHOLD_SEL: 0
THRESHOLD_VALUES: 000, 000, 000, 000, 000, 000, 000, 000, 000, 000
                  000, 000, 000, 000, 000, 000, 000, 000, 000
    
```

```

WETGID:  0507068001      05  07  068  001
WTGRP_SIZ:  7
    
```

EDIT TABLE

GRATING STEP	HEX MASK	DETECTOR MASK
0	0FC70	0,1111,1100,0111,0000
1	1FDF1	1,1111,1101,1111,0001
2	1F9F0	1,1111,1001,1111,0000
3	0FFF2	0,1111,1111,1111,0010
4	0FFF0	0,1111,1111,1111,0000
5	1FCC1	1,1111,1100,1100,0001
6	00000	0,0000,0000,0000,0000

C9JNSOU15601

```

OAPEL: C9JNSOU15601      ALIAS: C9JNSOU15601
EXT: A                    PSID: LL
SCLK1: 04115211:00:0     SCLK2: 04115211:75:0
SCET1: 97-246/22:12:12.666 SCET2: 97-246/22:13:02.666
TARGET: JUPITER          PARTITION: 1
  
```

```

MODE: 5                   GAIN: 2
CHOP: 1                   GRAT_OFF: 4
PTAB_A: 1 1 0 1 4 6     PTAB_B: 1 1 0 1 4 6
ECAL: 0                   OPCAL: 0
R/T: 0                    RECORD: 1
  
```

```

MB_DOWN: 00000           MB_UP: 00000
COMP_FLAG: 1
EST_COMP: 2.0           EST_COMPV: 0.3
RATE_CON1: 00000       RATE_CON2: 65525
NWAVETOT: 68           TLMFMT: LPU
  
```

```

THRESHOLD_SEL: 0
THRESHOLD_VALUES: 000, 000, 000, 000, 000, 000, 000, 000, 000, 000
                  000, 000, 000, 000, 000, 000, 000, 000, 000
  
```

```

WETGID: 0507068001      05 07 068 001
WTGRP_SIZ: 7
  
```

EDIT TABLE

GRATING STEP	HEX MASK	DETECTOR MASK
0	0FC70	0,1111,1100,0111,0000
1	1FDF1	1,1111,1101,1111,0001
2	1F9F0	1,1111,1001,1111,0000
3	0FFF2	0,1111,1111,1111,0010
4	0FFF0	0,1111,1111,1111,0000
5	1FCC1	1,1111,1100,1100,0001
6	00000	0,0000,0000,0000,0000

C9JNNOR15601

```

OAPEL: C9JNNOR15601      ALIAS: C9JNNOR15601
EXT: A                    PSID: LM
SCLK1: 04115217:00:0     SCLK2: 04115217:74:0
SCET1: 97-246/22:18:16.666 SCET2: 97-246/22:19:06.666
TARGET: JUPITER          PARTITION: 1
  
```

```

MODE: 5                  GAIN: 2
CHOP: 1                  GRAT_OFF: 4
PTAB_A: 1 1 0 1 4 6     PTAB_B: 1 1 0 1 4 6
ECAL: 0                  OPCAL: 0
R/T: 0                   RECORD: 1
  
```

```

MB_DOWN: 00000          MB_UP: 00000
COMP_FLAG: 1
EST_COMP: 2.0           EST_COMPV: 0.3
RATE_CON1: 00000       RATE_CON2: 65525
NWAVETOT: 68           TLMFMT: LPU
  
```

```

THRESHOLD_SEL: 0
THRESHOLD_VALUES: 000, 000, 000, 000, 000, 000, 000, 000, 000, 000
                  000, 000, 000, 000, 000, 000, 000, 000, 000
  
```

```

WETGID: 0507068001     05 07 068 001
WTGRP_SIZ: 7
  
```

EDIT TABLE

GRATING STEP	HEX MASK	DETECTOR MASK
0	0FC70	0,1111,1100,0111,0000
1	1FDF1	1,1111,1101,1111,0001
2	1F9F0	1,1111,1001,1111,0000
3	0FFF2	0,1111,1111,1111,0010
4	0FFF0	0,1111,1111,1111,0000
5	1FCC1	1,1111,1100,1100,0001
6	00000	0,0000,0000,0000,0000

C9RNMRING_01

```

OAPEL:  C9RNMRING_01          ALIAS:  C9RNMRING_01
EXT:    A                     PSID:   DZ
SCLK1:  04115263:00:0        SCLK2:  04115266:87:0
SCET1:  97-246/23:04:47.333  SCET2:  97-246/23:08:47.333
TARGET: RING                  PARTITION: 1
  
```

```

MODE:    1                     GAIN:    4
CHOP:    1                     GRAT_OFF: 4
PTAB_A:  1 1 0 0 212          PTAB_B:  1 1 0 0 212
ECAL:    0                     OPCAL:   0
R/T:     0                     RECORD:  1
  
```

```

MB_DOWN: 00000                MB_UP:   00000
COMP_FLAG: 1                   EST_COMPV: 0.3
EST_COMP: 2.0                 RATE_CON2: 65525
RATE_CON1: 00000              TLMFMT:  LPU
NWAVETOT: 108
  
```

```

THRESHOLD_SEL: 0
THRESHOLD_VALUES: 000, 000, 000, 000, 000, 000, 000, 000, 000, 000
                  000, 000, 000, 000, 000, 000, 000, 000, 000
  
```

```

WETGID:  0113126000          01 13 126 000
WTGRP_SIZ: 13
  
```

EDIT TABLE

GRATING STEP	HEX MASK	DETECTOR MASK
0	1BDFF	1,1011,1101,1111,1111
1	0BC80	0,1011,1100,1000,0000
2	1BDFF	1,1011,1101,1111,1111
3	0BC80	0,1011,1100,1000,0000
4	1BDFF	1,1011,1101,1111,1111
5	0BC80	0,1011,1100,1000,0000
6	1BDFF	1,1011,1101,1111,1111
7	0BC80	0,1011,1100,1000,0000
8	1BDFF	1,1011,1101,1111,1111
9	0BC80	0,1011,1100,1000,0000
10	1BDFF	1,1011,1101,1111,1111
11	0BC80	0,1011,1100,1000,0000
12	00000	0,0000,0000,0000,0000

C9JNFEA15601

```

OAPEL: C9JNFEA15601      ALIAS: C9JNFEA15601
EXT: A                    PSID: LO
SCLK1: 04115298:00:0     SCLK2: 04115298:75:0
SCET1: 97-246/23:40:10.666 SCET2: 97-246/23:41:00.666
TARGET: JUPITER          PARTITION: 1
  
```

```

MODE: 5                  GAIN: 2
CHOP: 1                  GRAT_OFF: 4
PTAB_A: 1 1 0 1 4 6     PTAB_B: 1 1 0 1 4 6
ECAL: 0                  OPCAL: 0
R/T: 0                   RECORD: 1
  
```

```

MB_DOWN: 00000          MB_UP: 00000
COMP_FLAG: 1
EST_COMP: 2.0           EST_COMPV: 0.3
RATE_CON1: 00000       RATE_CON2: 65525
NWAVETOT: 68           TLMFMT: LPU
  
```

```

THRESHOLD_SEL: 0
THRESHOLD_VALUES: 000, 000, 000, 000, 000, 000, 000, 000, 000, 000
                  000, 000, 000, 000, 000, 000, 000, 000, 000
  
```

```

WETGID: 0507068001     05 07 068 001
WTGRP_SIZ: 7
  
```

EDIT TABLE

GRATING STEP	HEX MASK	DETECTOR MASK
0	0FC70	0,1111,1100,0111,0000
1	1FDF1	1,1111,1101,1111,0001
2	1F9F0	1,1111,1001,1111,0000
3	0FFF2	0,1111,1111,1111,0010
4	0FFF0	0,1111,1111,1111,0000
5	1FCC1	1,1111,1100,1100,0001
6	00000	0,0000,0000,0000,0000

C9NNOPCAL_01

```

OAPEL:  C9NNOPCAL_01          ALIAS:  C9NNOPCAL_01
EXT:    R                      PSID:   DA
SCLK1:  04124590:00:0        SCLK2:  04124592:12:0
SCET1:  1997-253/12:15:25.000 SCET2:  1997-253/12:17:34.333
TARGET: CAL                   PARTITION: 1
    
```

```

MODE:    3                      GAIN:    4
CHOP:    1                      GRAT_OFF: 4
PTAB_A:  1 1 0 0 124          PTAB_B:  1 1 0 0 124
ECAL:    0                      OPCAL:   1
R/T:     1                      RECORD:  0
    
```

```

MB_DOWN: 11011                MB_UP:   11011
COMP_FLAG: 0
EST_COMP: 0.0                 EST_COMPV: 0.0
RATE_CON1: 00000             RATE_CON2: 00000
NWAVETOT: 048                TLMFMT:  RT
    
```

```

THRESHOLD_SEL: 0
THRESHOLD_VALUES: 000, 000, 000, 000, 000, 000, 000, 000, 000, 000
                  000, 000, 000, 000, 000, 000, 000, 000, 000
    
```

```

WETGID:  0302048000          03  02  048  000
WTGRP_SIZ:  2
    
```

EDIT TABLE

GRATING STEP	HEX MASK	DETECTOR MASK
0	18000	1,1000,0000,0000,0000
1	18000	1,1000,0000,0000,0000
2	18000	1,1000,0000,0000,0000
3	18000	1,1000,0000,0000,0000
4	18000	1,1000,0000,0000,0000
5	18000	1,1000,0000,0000,0000
6	18000	1,1000,0000,0000,0000
7	18000	1,1000,0000,0000,0000
8	18000	1,1000,0000,0000,0000
9	18000	1,1000,0000,0000,0000
10	18000	1,1000,0000,0000,0000
11	18000	1,1000,0000,0000,0000
12	18000	1,1000,0000,0000,0000
13	18000	1,1000,0000,0000,0000
14	18000	1,1000,0000,0000,0000
15	18000	1,1000,0000,0000,0000
16	18000	1,1000,0000,0000,0000
17	18000	1,1000,0000,0000,0000
18	18000	1,1000,0000,0000,0000
19	18000	1,1000,0000,0000,0000
20	18000	1,1000,0000,0000,0000
21	18000	1,1000,0000,0000,0000
22	18000	1,1000,0000,0000,0000
23	18000	1,1000,0000,0000,0000
24	00000	0,0000,0000,0000,0000
25	00000	0,0000,0000,0000,0000

C9JNFEA14501

```

OAPEL: C9JNFEA14501      ALIAS: C9JNFEA14501
EXT: A                    PSID: LP
SCLK1: 04124633:00:0     SCLK2: 04124633:75:0
SCET1: 97-253/12:58:53.666 SCET2: 97-253/12:59:43.666
TARGET: JUPITER          PARTITION: 1
  
```

```

MODE: 5                   GAIN: 2
CHOP: 1                   GRAT_OFF: 4
PTAB_A: 1 1 0 1 4 6      PTAB_B: 1 1 0 1 4 6
ECAL: 0                   OPCAL: 0
R/T: 0                    RECORD: 1
  
```

```

MB_DOWN: 00000           MB_UP: 00000
COMP_FLAG: 1
EST_COMP: 2.0            EST_COMPV: 0.3
RATE_CON1: 00000        RATE_CON2: 65525
NWAVETOT: 68            TLMFMT: LPU
  
```

```

THRESHOLD_SEL: 0
THRESHOLD_VALUES: 000, 000, 000, 000, 000, 000, 000, 000, 000, 000
                  000, 000, 000, 000, 000, 000, 000, 000, 000
  
```

```

WETGID: 0507068001      05 07 068 001
WTGRP_SIZ: 7
  
```

EDIT TABLE

GRATING STEP	HEX MASK	DETECTOR MASK
0	0FC70	0,1111,1100,0111,0000
1	1FDF1	1,1111,1101,1111,0001
2	1F9F0	1,1111,1001,1111,0000
3	0FFF2	0,1111,1111,1111,0010
4	0FFF0	0,1111,1111,1111,0000
5	1FCC1	1,1111,1100,1100,0001
6	00000	0,0000,0000,0000,0000

C9JNFEA14502

```

OAPEL:  C9JNFEA14502          ALIAS:  C9JNFEA14502
EXT:    A                     PSID:    LS
SCLK1:  04124641:00:0        SCLK2:  04124641:75:0
SCET1:  97-253/13:06:59.000  SCET2:  97-253/13:07:49.000
TARGET: JUPITER              PARTITION: 1
  
```

```

MODE:    5                     GAIN:    2
CHOP:    1                     GRAT_OFF: 4
PTAB_A:  1 1 0 1 4 6          PTAB_B:  1 1 0 1 4 6
ECAL:    0                     OPCAL:   0
R/T:     0                     RECORD:  1
  
```

```

MB_DOWN: 00000                MB_UP:   00000
COMP_FLAG: 1                  EST_COMPV: 0.3
EST_COMP:  2.0                RATE_CON2: 65525
RATE_CON1: 00000              TLMFMT:  LPU
NWAVETOT: 68
  
```

```

THRESHOLD_SEL: 0
THRESHOLD_VALUES: 000, 000, 000, 000, 000, 000, 000, 000, 000, 000
                  000, 000, 000, 000, 000, 000, 000, 000, 000
  
```

```

WETGID:  0507068001          05  07  068  001
WTGRP_SIZ: 7
  
```

EDIT TABLE

GRATING STEP	HEX MASK	DETECTOR MASK
0	0FC70	0,1111,1100,0111,0000
1	1FDF1	1,1111,1101,1111,0001
2	1F9F0	1,1111,1001,1111,0000
3	0FFF2	0,1111,1111,1111,0010
4	0FFF0	0,1111,1111,1111,0000
5	1FCC1	1,1111,1100,1100,0001
6	00000	0,0000,0000,0000,0000

C9JNGRS14501

```

OAPEL: C9JNGRS14501      ALIAS: C9JNGRS14501
EXT: A                    PSID: FB
SCLK1: 04124648:00:0     SCLK2: 04124648:75:0
SCET1: 97-253/13:14:03.666 SCET2: 97-253/13:14:53.666
TARGET: JUPITER          PARTITION: 1
    
```

```

MODE: 5                   GAIN: 2
CHOP: 1                   GRAT_OFF: 4
PTAB_A: 1 1 0 1 4 6      PTAB_B: 1 1 0 1 4 6
ECAL: 0                   OPCAL: 0
R/T: 0                    RECORD: 1
    
```

```

MB_DOWN: 00000           MB_UP: 00000
COMP_FLAG: 1
EST_COMP: 2.0            EST_COMPV: 0.3
RATE_CON1: 00000        RATE_CON2: 65525
NWAVETOT: 68            TLMFMT: LPU
    
```

```

THRESHOLD_SEL: 0
THRESHOLD_VALUES: 000, 000, 000, 000, 000, 000, 000, 000, 000, 000
                  000, 000, 000, 000, 000, 000, 000, 000, 000
    
```

```

WETGID: 0507068001      05 07 068 001
WTGRP_SIZ: 7
    
```

EDIT TABLE

GRATING STEP	HEX MASK	DETECTOR MASK
0	0FC70	0,1111,1100,0111,0000
1	1FDF1	1,1111,1101,1111,0001
2	1F9F0	1,1111,1001,1111,0000
3	0FFF2	0,1111,1111,1111,0010
4	0FFF0	0,1111,1111,1111,0000
5	1FCC1	1,1111,1100,1100,0001
6	00000	0,0000,0000,0000,0000

C9JNGRS14502

```

OAPEL: C9JNGRS14502      ALIAS: C9JNGRS14502
EXT: A                    PSID: LU
SCLK1: 04124656:00:0     SCLK2: 04124656:75:0
SCET1: 97-253/13:22:09.000 SCET2: 97-253/13:22:59.000
TARGET: JUPITER          PARTITION: 1
  
```

```

MODE: 5                   GAIN: 2
CHOP: 1                   GRAT_OFF: 4
PTAB_A: 1 1 0 1 4 6      PTAB_B: 1 1 0 1 4 6
ECAL: 0                   OPCAL: 0
R/T: 0                    RECORD: 1
  
```

```

MB_DOWN: 00000           MB_UP: 00000
COMP_FLAG: 1
EST_COMP: 2.0            EST_COMPV: 0.3
RATE_CON1: 00000        RATE_CON2: 65525
NWAVETOT: 68            TLMFMT: LPU
  
```

```

THRESHOLD_SEL: 0
THRESHOLD_VALUES: 000, 000, 000, 000, 000, 000, 000, 000, 000, 000
                  000, 000, 000, 000, 000, 000, 000, 000, 000
  
```

```

WETGID: 0507068001      05 07 068 001
WTGRP_SIZ: 7
  
```

EDIT TABLE

GRATING STEP	HEX MASK	DETECTOR MASK
0	0FC70	0,1111,1100,0111,0000
1	1FDF1	1,1111,1101,1111,0001
2	1F9F0	1,1111,1001,1111,0000
3	0FFF2	0,1111,1111,1111,0010
4	0FFF0	0,1111,1111,1111,0000
5	1FCC1	1,1111,1100,1100,0001
6	00000	0,0000,0000,0000,0000

C9JNFEA14503

```

OAPEL: C9JNFEA14503      ALIAS: C9JNFEA14503
EXT: A                   PSID: MG
SCLK1: 04124662:00:0     SCLK2: 04124662:75:0
SCET1: 97-253/13:28:13.000 SCET2: 97-253/13:29:03.000
TARGET: JUPITER          PARTITION: 1
  
```

```

MODE: 5                  GAIN: 2
CHOP: 1                  GRAT_OFF: 4
PTAB_A: 1 1 0 1 4 6     PTAB_B: 1 1 0 1 4 6
ECAL: 0                  OPCAL: 0
R/T: 0                   RECORD: 1
  
```

```

MB_DOWN: 00000          MB_UP: 00000
COMP_FLAG: 1
EST_COMP: 2.0           EST_COMPV: 0.3
RATE_CON1: 00000       RATE_CON2: 65525
NWAVETOT: 68           TLMFMT: LPU
  
```

```

THRESHOLD_SEL: 0
THRESHOLD_VALUES: 000, 000, 000, 000, 000, 000, 000, 000, 000, 000
                  000, 000, 000, 000, 000, 000, 000, 000, 000
  
```

```

WETGID: 0507068001     05 07 068 001
WTGRP_SIZ: 7
  
```

EDIT TABLE

GRATING STEP	HEX MASK	DETECTOR MASK
0	0FC70	0,1111,1100,0111,0000
1	1FDF1	1,1111,1101,1111,0001
2	1F9F0	1,1111,1001,1111,0000
3	0FFF2	0,1111,1111,1111,0010
4	0FFF0	0,1111,1111,1111,0000
5	1FCC1	1,1111,1100,1100,0001
6	00000	0,0000,0000,0000,0000

C9JNSOU14501

```

OAPEL: C9JNSOU14501      ALIAS: C9JNSOU14501
EXT: A                    PSID: MH
SCLK1: 04124665:00:0     SCLK2: 04124665:75:0
SCET1: 97-253/13:31:15.000 SCET2: 97-253/13:32:05.000
TARGET: JUPITER          PARTITION: 1
  
```

```

MODE: 5                   GAIN: 2
CHOP: 1                   GRAT_OFF: 4
PTAB_A: 1 1 0 1 4 6      PTAB_B: 1 1 0 1 4 6
ECAL: 0                   OPCAL: 0
R/T: 0                    RECORD: 1
  
```

```

MB_DOWN: 00000           MB_UP: 00000
COMP_FLAG: 1
EST_COMP: 2.0           EST_COMPV: 0.3
RATE_CON1: 00000        RATE_CON2: 65525
NWAVETOT: 68           TLMFMT: LPU
  
```

```

THRESHOLD_SEL: 0
THRESHOLD_VALUES: 000, 000, 000, 000, 000, 000, 000, 000, 000, 000
                  000, 000, 000, 000, 000, 000, 000, 000, 000
  
```

```

WETGID: 0507068001      05 07 068 001
WTGRP_SIZ: 7
  
```

EDIT TABLE

GRATING STEP	HEX MASK	DETECTOR MASK
0	0FC70	0,1111,1100,0111,0000
1	1FDF1	1,1111,1101,1111,0001
2	1F9F0	1,1111,1001,1111,0000
3	0FFF2	0,1111,1111,1111,0010
4	0FFF0	0,1111,1111,1111,0000
5	1FCC1	1,1111,1100,1100,0001
6	00000	0,0000,0000,0000,0000

C9JNNOR14501

```

OAPEL: C9JNNOR14501      ALIAS: C9JNNOR14501
EXT: A                    PSID: LZ
SCLK1: 04124670:00:0     SCLK2: 04124670:75:0
SCET1: 97-253/13:36:18.333 SCET2: 97-253/13:37:08.333
TARGET: JUPITER          PARTITION: 1
  
```

```

MODE: 5                   GAIN: 2
CHOP: 1                   GRAT_OFF: 4
PTAB_A: 1 1 0 1 4 6     PTAB_B: 1 1 0 1 4 6
ECAL: 0                   OPCAL: 0
R/T: 0                    RECORD: 1
  
```

```

MB_DOWN: 00000           MB_UP: 00000
COMP_FLAG: 1
EST_COMP: 2.0           EST_COMPV: 0.3
RATE_CON1: 00000       RATE_CON2: 65525
NWAVETOT: 68           TLMFMT: LPU
  
```

```

THRESHOLD_SEL: 0
THRESHOLD_VALUES: 000, 000, 000, 000, 000, 000, 000, 000, 000
                  000, 000, 000, 000, 000, 000, 000, 000
  
```

```

WETGID: 0507068001      05 07 068 001
WTGRP_SIZ: 7
  
```

EDIT TABLE

GRATING STEP	HEX MASK	DETECTOR MASK
0	0FC70	0,1111,1100,0111,0000
1	1FDF1	1,1111,1101,1111,0001
2	1F9F0	1,1111,1001,1111,0000
3	0FFF2	0,1111,1111,1111,0010
4	0FFF0	0,1111,1111,1111,0000
5	1FCC1	1,1111,1100,1100,0001
6	00000	0,0000,0000,0000,0000

C9JNEQU14501

```

OAPEL: C9JNEQU14501      ALIAS: C9JNEQU14501
EXT: A                    PSID: MA
SCLK1: 04124676:00:0     SCLK2: 04124676:72:0
SCET1: 97-253/13:42:22.333 SCET2: 97-253/13:43:10.333
TARGET: JUPITER          PARTITION: 1
  
```

```

MODE: 5                  GAIN: 2
CHOP: 1                 GRAT_OFF: 4
PTAB_A: 1 1 0 1 4 6    PTAB_B: 1 1 0 1 4 6
ECAL: 0                 OPCAL: 0
R/T: 0                  RECORD: 1
  
```

```

MB_DOWN: 00000          MB_UP: 00000
COMP_FLAG: 1
EST_COMP: 2.0           EST_COMPV: 0.3
RATE_CON1: 00000       RATE_CON2: 65525
NWAVETOT: 68           TLMFMT: LPU
  
```

```

THRESHOLD_SEL: 0
THRESHOLD_VALUES: 000, 000, 000, 000, 000, 000, 000, 000, 000
                  000, 000, 000, 000, 000, 000, 000, 000
  
```

```

WETGID: 0507068001     05 07 068 001
WTGRP_SIZ: 7
  
```

EDIT TABLE

GRATING STEP	HEX MASK	DETECTOR MASK
0	0FC70	0,1111,1100,0111,0000
1	1FDF1	1,1111,1101,1111,0001
2	1F9F0	1,1111,1001,1111,0000
3	0FFF2	0,1111,1111,1111,0010
4	0FFF0	0,1111,1111,1111,0000
5	1FCC1	1,1111,1100,1100,0001
6	00000	0,0000,0000,0000,0000

NIMS C9 OBSTAB

This is a time-ordered ASCII TABLE (listing) of GALILEO NIMS observation parameters for use by downlink data processing of the NIMS C9 data. Each Obstab entry is 512 bytes long but is presented here as 4 lines of 128 characters per entry. Included items come from NIMS commands in (1) the Standard Sequence Data File (SSDF) and (2) the Playback Table Update Process (PTUP), plus some items from (3) the NIMS/CDS software load.

Note that SCLK1, SCLK2, SCET1 and SCET2 of non-realtime observations reflect the amount of data actually played back, rather than the amount recorded on tape. Likewise, the wavelength edit table pointers of non-realtime observations point to the playback edit table masks, rather than the ones used during recording.

Some of these items are needed for MIPS realtime processing of NIMS data, others for NIMSMERGE generation of the EDR and still others by NIMS/ISIS and MIPS systematic processing of EDRs into cubes. Missing non-required items will not interfere with a processing step. For completeness, almost all uplinked parameters are included in the table. (Only those items which will almost certainly remain constant have been omitted; e.g. Rice decision tables.)

The source below is one of:

- SEF for the Standard Sequence Data File (SSDF), specifying parameters of one of the NIMS (37) commands
- PBK for the Playback Table Update Process (PTUP), specifying parameters of the NIMPBK SINGLE command
- S/W for the NIMS/CDS software load process
- NIMS for NIMS team systematic processing requests to MIPS

* indicates item absolutely required for UDR generation (decompression, wavelength edit processing)

indicates item useful for UDR generation (for checking)

unmarked items needed for cube generation or useful for general information

<tbd> indicates more details will be forthcoming

name	nchar	columns	.description	.source
OAPEL	12	1 - 12	.Oapel Name from SEF (no aliases yet)	SEF: activity ID, 1st 12 chars should be unique
ALIAS	12	13 - 24	.NIMS alias name for OAPEL	NIMS:
EXT	1	25 - 25	.Extension, for split OAPELS, A,B,C... for playback, R,S,T... for realtime. Required for realtime.	NIMS: if breaking activity into several cubes
PSID	2	26 - 27	.Parameter Set Identification	SEF: <tbd>
* SCLK1	13	28 - 40	.Start time of played-back OBS in SCLK	PBK (except realtime data: SEF)
* SCLK2	13	41 - 53	.Stop time of played-back OBS in SCLK	PBK (except realtime data: SEF)
* PARTITION	1	54 - 54	.Partition for SCLK1 and SCLK2.	
<spare>	9	55 - 63		
TARGET	8	64 - 71	.Primary Target of OBS	SEF: translate from 3rd char in OAPEL (activity ID)

```

-----
MODE      2 72 - 73      .NIMS Instrument MODE (0-15)      SEF: 37IOP, data byte 2, bits 5-8
GAIN      1 74 - 74      .Gain State (true value)          SEF: 37IST, data byte 3, bits 7-8 (if bit 6 = 1)
                                         0=gs2, 1=gs4, 2=gs3, 3=gs1
CHOP      1 75 - 75      .Chopper State (1=Ref,2=63Hz,3=FreeRun,4=Off) SEF: 37IST, data byte 2, bits 7-8 (if bit 6 = 1)
                                         0=63hz, 1=off, 2=ref, 3=freeerun
GRAT_OFF  1 76 - 76      .Grating Offset (0-7, default 4)   SEF: 37GOF, data byte 2, bits 5-8
PTAB_A(6) 12 77 - 88      .First PTAB |repeat count,mirror op,autobias...SEF: functions of MODE (from 37IOP) as modified by
PTAB_B(6) 12 89 - 100  .Second PTAB |...grating start, grating delta... 37MPT, unless special sequence (modes 12-15)
.          |...number of grating positions)          in which case values come from 37SS
                                         parameters <tbid>
ECAL      1 101 - 101     .Electronics Calibration Active (1=yes) SEF: 37IST, data byte 3, bit 4 (1=on)
OPCAL     1 102 - 102     .Optics Calibration active (1=yes)   SEF: 37IST, data byte 3, bit 5 (1=on)
# REAL_TIME 1 103 - 103     .NIMS in Real-Time Telemetry (1=yes) SEF: track RT_INST_SEL .and. 37RT
# RECORD   1 104 - 104     .NIMS in Record Telemetry (1=yes)   SEF: track DMS status event:
                                         RECORD, REVERSE, RESUME, RUNDOWN <tbid>

* THRESHSEL 1 105 - 105     .Threshold value select (>0 = yes)   PBK: THRESHLD_TBL > 0 (i.e. 1-3)
<spare>    1 106 - 106     .
# RTISELDN  5 107 - 111     .RTI select, 5 binary bits (for mirror SEF: 37MB data byte 1, bits 4-8 <tbid>
                                         position blocking, down scan)
# RTISELUP  5 112 - 116     .RTI select, 5 binary bits (for mirror SEF: 37MB data byte 2, bits 4-8 <tbid>
                                         position blocking, up scan)
<spare>    1 117 - 117     .
* RICEFLAG  1 118 - 118     .Rice compression flag              PBK: 0 no compression
                                         1 Rice compression, ref vals each mirror scan
                                         3 Rice compression, ref vals each RIM rollover

<spare>    1 119 - 119     .
ESTCOMP    3 120 - 122     .Rice estimated compression ratio (m.n) PBK: CMPR_DVSR <tbid>
ESTCOMPV   3 123 - 125     .Rice estimated error in compression ratio (m.n)PBK: CMPR_UNC <tbid>
# RATECON1  5 126 - 130     .Rate control lower limit           PBK: | S/W table entry indexed by LOSSY_COMP (1-7)
# RATECON2  5 131 - 135     .Rate control upper limit           PBK: | or 0 if LOSSY_COMP = 0 (no rate control)
                                         17 136 - 152
NWAVERTOT  3 153 - 155     .Total number of wavelengths selected Compute from relevant Wavelength Edit Table group
TLMFMT     3 156 - 158     .Telemetry format (MPW et al, LPU or LNR) SEF: 6TMREC command
SCET1      21 159 - 179     .Start time of played-back OBS in UTC PBK (except realtime data: SEF)
SCET2      21 180 - 200     .Stop time of played-back OBS in UTC  PBK (except realtime data: SEF)
<spares>   67 201 - 267     .Start time of played-back OBS in UTC  PBK (except realtime data: SEF)
* THRESH   51 268 - 318     .Threshold values (17 3-digit values, 0-999) PBK: S/W table indexed by THRESH_TBL > 0, else 0s
-----

```

```

-----
# WETGID      10 319 - 328      .Wavelength selection group ID (unique)      PBK: WET_GID      (realtime <tbd>)
Rule of formation: mmeelll1nnn where
mm = instrument mode (0-15)
ee = # entries in group
lll = number of wavelengths selected
nnn = sequence number

* WETGRPSIZ      2 329 - 330      .# Wavelength Edit entries (1-26)      PBK: ED_GRP_LEN      (realtime SEF: 37ETB <tbd>)
* WETGRP      182 331 - 512      .Wavelength Edit Table group: WETGRPSIZ      PBK: ED_GRP      (realtime SEF: 37ETB data bytes 2..)
entries, each one has 7 characters. The
first 2 characters are the repeat count
(01-26). The other 5 characters contain
5 hex digits, representing the detector
mask in the form BHHH where B is 0 or 1
and H has range 0-15. (These entries are
from the 37ETB instrument edit group for
realtime data and from the logical AND of
corresponding entries in the instrument
and playback edit groups for playback data.)

```

.The TARGET names used are:

```

CAL      - N - non-science targets, usually calibration targets
EARTH    - W - Earth
MOON     - L - Moon
SKY      - H - Stellar Space (space and stars)
VENUS    - V - Venus
GASPRA   - P - Gaspra
IDA      - U - Ida
JUPITER  - J - Jupiter
IO       - I - Io
EUROPA   - E - Europa
GANYMEDE - G - Ganymede
CALLISTO - C - Callisto
J_RING   - R - Jupiter rings
(the single letter abbreviation appears as the third character in the OAPEL name ).

```



```

-----
C9NNRCTRLT01LSNNRCTRTA01SXU04041137:00:004041138:12:01 CAL 3114 1 1 1 0 124 1 1 1 0 12400100 1101111011 0 0.00.0000
0000000 252RT 1997-194/21:55:02.7331997-194/21:56:21.400
000000000000000000000000000000000000000000000000000000000000000000000000000000000000000000000000000
000000000000000000000000000000000000000000000000000000000000000000000000000000000000000000000000000
C9NNRCTRLT01LSNNRCTRTA01TXU04041143:00:004041143:12:01 CAL 3114 1 1 1 0 124 1 1 1 0 12400100 1101111011 0 0.00.0000
0000000 252RT 1997-194/22:00:76.7331997-194/22:01:24.733
000000000000000000000000000000000000000000000000000000000000000000000000000000000000000000000000000
000000000000000000000000000000000000000000000000000000000000000000000000000000000000000000000000000
C9NNPCTRLT01C9NNPCTRLT01RFT04041893:00:004041894:12:01 CAL 3414 1 1 0 0 124 1 1 0 12400100 1101111011 0 0.00.0000
0000000 252RT 1997-195/10:39:36.6661997-195/10:40:45.333
000000000000000000000000000000000000000000000000000000000000000000000000000000000000000000000000000
000000000000000000000000000000000000000000000000000000000000000000000000000000000000000000000000000
C9NNPCTRLT01C9NNPCTRLT01SFT04041899:00:004041906:90:01 CAL 3414 1 1 0 0 124 1 1 0 12400100 1101111011 0 0.00.0000
0000000 252RT 1997-195/10:45:40.6661997-195/10:53:45.333
000000000000000000000000000000000000000000000000000000000000000000000000000000000000000000000000000
000000000000000000000000000000000000000000000000000000000000000000000000000000000000000000000000000
C9NNPCTRLT01C9NNPCTRLT01TFT04041907:00:004041908:12:01 CAL 3414 1 1 1 0 124 1 1 1 0 12400100 1101111011 0 0.00.0000
0000000 252RT 1997-195/10:53:46.0001997-195/10:54:54.666
000000000000000000000000000000000000000000000000000000000000000000000000000000000000000000000000000
000000000000000000000000000000000000000000000000000000000000000000000000000000000000000000000000000
C9NNRCTRLT02LSNNRCTRTB01RXI04081944:00:004081944:12:01 CAL 3114 1 1 0 0 124 1 1 0 12400100 1101111011 0 0.00.0000
0000000 252RT 1997-223/13:35:35.8661997-223/13:35:43.866
000000000000000000000000000000000000000000000000000000000000000000000000000000000000000000000000000
000000000000000000000000000000000000000000000000000000000000000000000000000000000000000000000000000
C9NNRCTRLT02LSNNRCTRTB01SXI04081950:00:004081951:12:01 CAL 3114 1 1 0 0 124 1 1 0 12400100 1101111011 0 0.00.0000
0000000 252RT 1997-223/13:41:39.8661997-223/13:42:48.533
000000000000000000000000000000000000000000000000000000000000000000000000000000000000000000000000000
000000000000000000000000000000000000000000000000000000000000000000000000000000000000000000000000000
C9NNRCTRLT02LSNNRCTRTB01TXI04081956:00:004081956:12:01 CAL 3114 1 1 0 0 124 1 1 0 12400100 1101111011 0 0.00.0000
0000000 252RT 1997-223/13:47:43.8661997-223/13:47:51.866
000000000000000000000000000000000000000000000000000000000000000000000000000000000000000000000000000
000000000000000000000000000000000000000000000000000000000000000000000000000000000000000000000000000
C9JNGRS15601C9JNGRS15601ALJ04115205:00:004115205:75:01 JUPITER 5214 1 1 0 1 4 6 1 0 1 4 600010 0000000000 1 2.00.3000
0065525 68LPU 97-246/22:06:08.666 97-246/22:06:58.666
000000000000000000000000000000000000000000000000000000000000000000000000000000000000000000000000000
000000000000000000000000000000000000000000000000000000000000000000000000000000000000000000000000000
C9JNSOU15601C9JNSOU15601ALL04115211:00:004115211:75:01 JUPITER 5214 1 1 0 1 4 6 1 0 1 4 600010 0000000000 1 2.00.3000
0065525 68LPU 97-246/22:12:12.666 97-246/22:13:02.666
000000000000000000000000000000000000000000000000000000000000000000000000000000000000000000000000000
000000000000000000000000000000000000000000000000000000000000000000000000000000000000000000000000000
-----

```


Chapter 5 - Detailed Observation Designs

Contents

	Sub-Section	Page
5.0	Contents	1
5.1	Introduction to Chapter 5	2
5.2	NIMS C9 Observations	3-240

Introduction to Chapter 5

Detailed Observation Designs

Each NIMS Detailed Observation Design consists of an OAPEL form and a Pointer plot. The OAPEL form is a brief description of the design of the observation. The Pointer plot is a plot of the target body with the NIMS footprint incorporated in the mosaic design superimposed on the target body. The size and orientation of the target body is plotted as it appears at the time of the first NIMS footprint plotted. For long observations, the target body may rotate or move relative to the spacecraft during the observation. Some observations, such as calibrations, do not have Pointer plots.

The Pointer plots and OAPEL forms in this chapter have been updated to report the actual data returned.

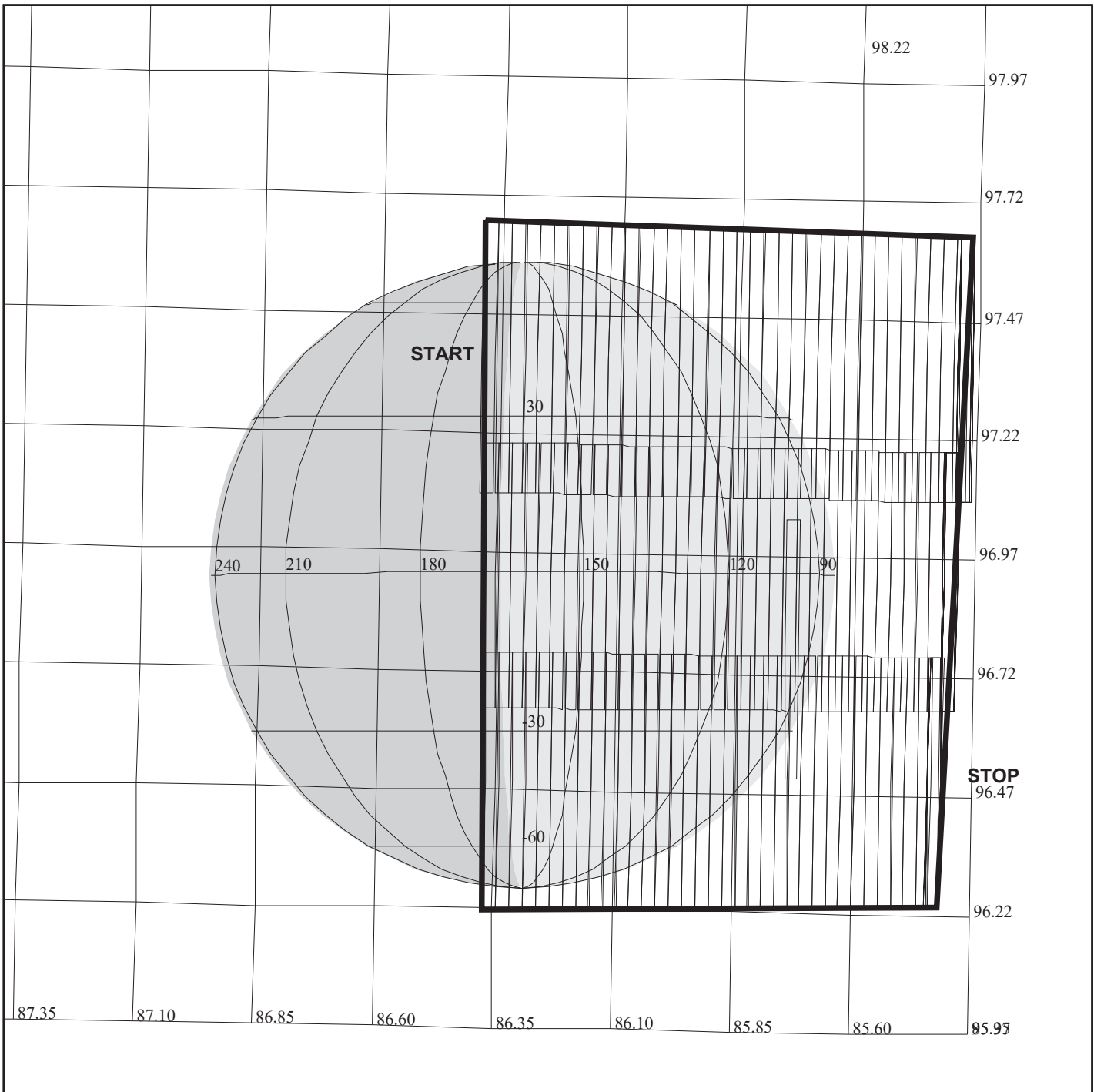
The Pointer plots have the spatial extent of the actual data returned outlined with a thick line. When no data were returned for a particular observation, its Pointer plot has a single slash across the plot with the text "NO DATA RETURNED" printed in the upper left corner of the plot.

The text of the OAPEL forms have been modified to reflect the actual NIMS instrument parameters for playback. An extra line containing one or some of the following statements has been added to the Observation Objective section of the OAPEL form to report the data return status:

```
"Data Returned"      == Data from this observation returned
"No Data Returned"   == NO Data from this observation returned
"Processor Halted"   == The NIMS Processor had halted at this time.
```

More information regarding NIMS data return can be found in Chapter 7 of this guide.

NIMS Chopper ON		ACTIVITY ID: C9NNCHOPON01-	
		START TIME: 97-176/05:12:27.600	
Activity ID: Orbit C9 Target N Inst N OAPEL CHOPON SeqNo 01 -			
Title	NIMS Chopper ON	Instrument	
Requestor	NIMS-SWG/M. SEGURA	Team NIMS	NIMS Working Group
			AWG
Time System	CDS	Load ID	Calendar Date 06/25/97 Week 26
Start	CEE-CDS 00000510:00:0	97-176/05:12:27.600	CEE-000/08:35:40.000
End	CEE-CDS 00000500:00:0	97-176/05:22:34.267	CEE-000/08:25:33.333
Duration	00000010:00:0	000/00:10:06.667	000/00:10:06.667
Top Label	C9NNCHOPON01-		
Bottom Label			
Plot Key	NIMS	Type	SCI
CDS Bytes	50	Report Options	BOTH
CDS Source	OAP	Spin State	DUAL
			Scan Platform
			DMS
			No
			No
Observation Objective			
<p>Configure the NIMS instrument for orbit C9 data taking. Turn the chopper on to Reference. This orbit includes observations of Jupiter, Io, Callisto, Europa, Ganymede and the main ring.</p>			
Design Detail			
<p>Use NIMSINIT with the following commands.</p> <pre> 37IST,1,0,0,OFF,0,0,0; Chopper 63 Hz 37IST,1,2,0,OFF,0,0,0; Chopper Ref 37MB,0,0,0,0,0 No Mirror Blocking </pre>			
Galileo Activity Plan Form		06/09/97 10:29:38 rev 6/95	



C9CNGLOBAL01

165DC:TT= 0 TMC= 1 C= 1.50 XC= 8.00 BS= 0/3117 TC= 3
 A= 546 pD= 8664 SR=17.450 RA50=223.72 DEC50=-17.80 cone= 86.38 clock= 97.38
 117DC:#SB= 1 OR= 0.030 RR=10.600 BM=F RC= 1 BS= 0/3117
 1:#s= 3 Cs= -18.00 XCs= 0.00 Cr= 18.00 XCr= -8.00 sD= 2154 rD= 16

TARGET G3.1 jdods: 6/ 3/1997 15: 7: 4

FILE:P.C9CNGLOBAL01

TARGET BODY : CALLISTO

MINI:m.target

S/C EPH:/DATA/NAVIO/T-970513-tour.NS

PERIAPSIS:

THINNING:NIM 2

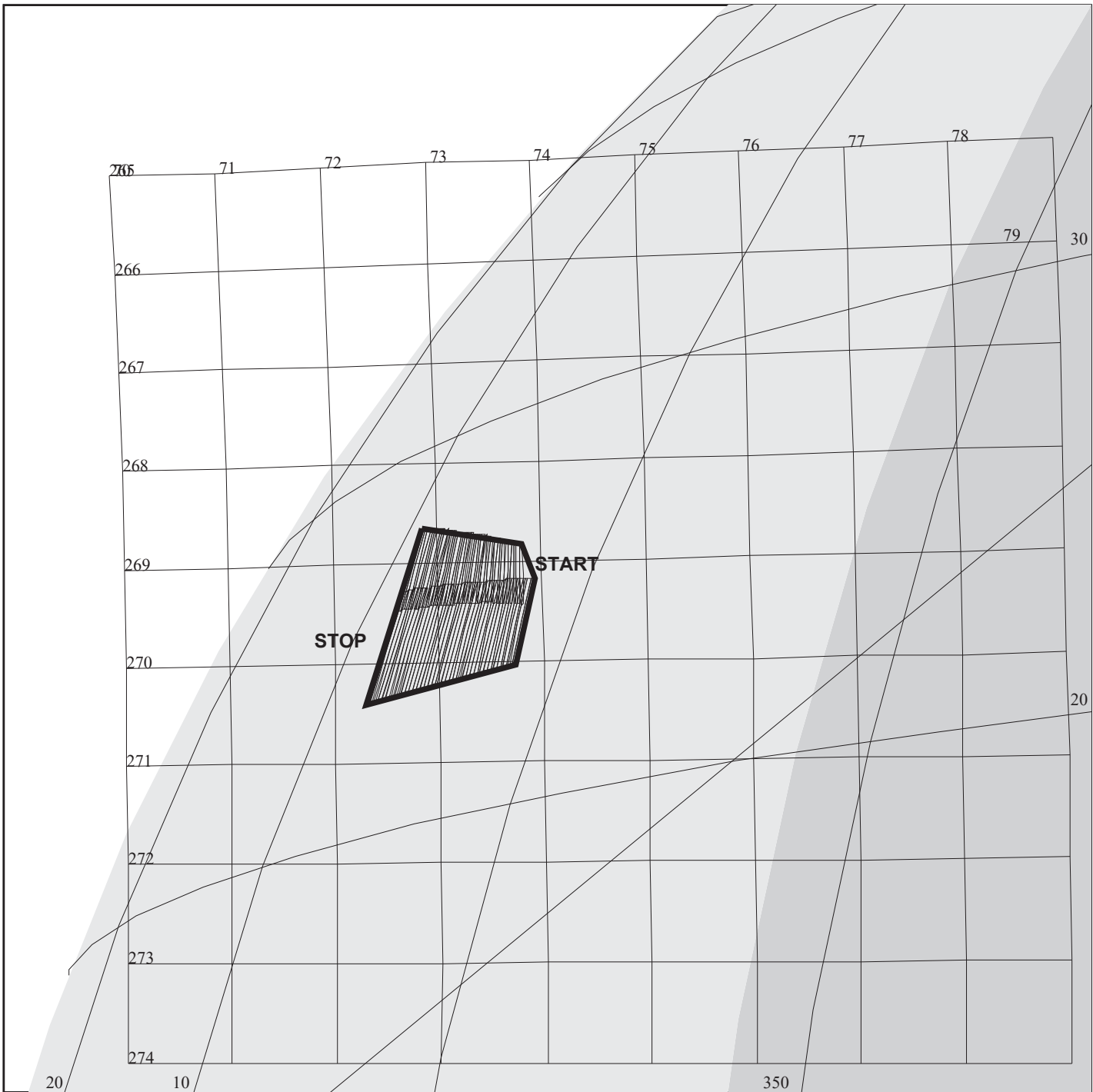
START:CTE 97-176/13:48:07.600 -CDS 437:00:0

BODY PLOT TIME:TARGET-TIME D= 8664 S= 0.600

OBSERVATION:C9CNGLOBAL01

DESCRIP:Callisto Global Coverage

Callisto Global Coverage		ACTIVITY ID:	C9CNGLOBAL01-		
		START TIME:	97-176/06:22:13.600		
Activity ID: Orbit C9 Target C Inst N OAPEL GLOBAL SeqNo 01 -					
Title	Callisto Global Coverage		Instrument		NIMS
Requestor	NIMS-SWG/M. SEGURA		Team	NIMS Working Group	SWG
Time System	CDS	Load ID	Calendar Date	06/25/97	Week 26
Start	CTE-CDS 00000441:00:0		97-176/06:22:13.600	CTE-000/07:25:54.000	
End	CTE-CDS 00000377:44:0		97-176/07:26:26.934	CTE-000/06:21:40.666	
Duration	00000063:47:0		000/01:04:13.334	000/01:04:13.334	
Top Label	C9CNGLOBAL01-				
Bottom Label					
Plot Key	NIMS	Type	SCI		
CDS Bytes	150	Report Options	BOTH		
CDS Source	OAP	Spin State	DUAL	Scan Platform	Yes
				DMS	Yes
Observation Objective					
<p>The objective is to obtain the best combined spectral and spatial resolution data of Callisto's surface, to investigate the mineralogy and determine the composition and distribution of units.</p>					
Data Returned					
Design Detail					
<p>Instrument Mode: Long Map Instrument Gain State: 4 Spatial Resolution: 41.7 km/nimse1 Spectral Resolution: 204-408 wavelengths phase angle: 87.17 coverage in nimsels: tracks:0.061</p> <p>Continuous slew, full disk mosaic 3 hrs and 45 minutes prior to Callisto's closest approach. Cover all lit longitudes and latitudes. Observation contains 8 swaths, Nyquist sampling, 20% overlap.</p>					
Long Map (LM), Gain 4, Grating Start 0, LPU, C9CLM243C, C9CLM228C					
Galileo Activity Plan Form			06/09/97	10:29:39	rev 6/95



165DD:TT= 0 TMC=1 C= 10.50 XC= -5.00 BS= 0/4653 TC= 1(25 5)
 A= 728 pD= 2176 SR=17.450 RA50= 87.92 DEC50= 36.28 cone= 73.81 clock=269.13
 117DD:#SB= 1 OR= 0.060 RR=11.200 BM=F RC= 1 BS= 0/4653
 1:#s= 2 Cs= -21.50 XCs= 0.00 Cr= 22.20 XCr= 8.00 sD= 1080 rD= 16

C9CNANARR_01

TARGET G3.1 jdods: 6/ 3/1997 15: 7: 4

FILE:P.C9CNANARR_01

TARGET BODY : CALLISTO

MINI:m.target

S/C EPH:/DATA/NAVIO/T-970513-tour.NS

PERIAPSIS:

START:CTE 97-176/13:48:07.600 +CDS 11:00:0

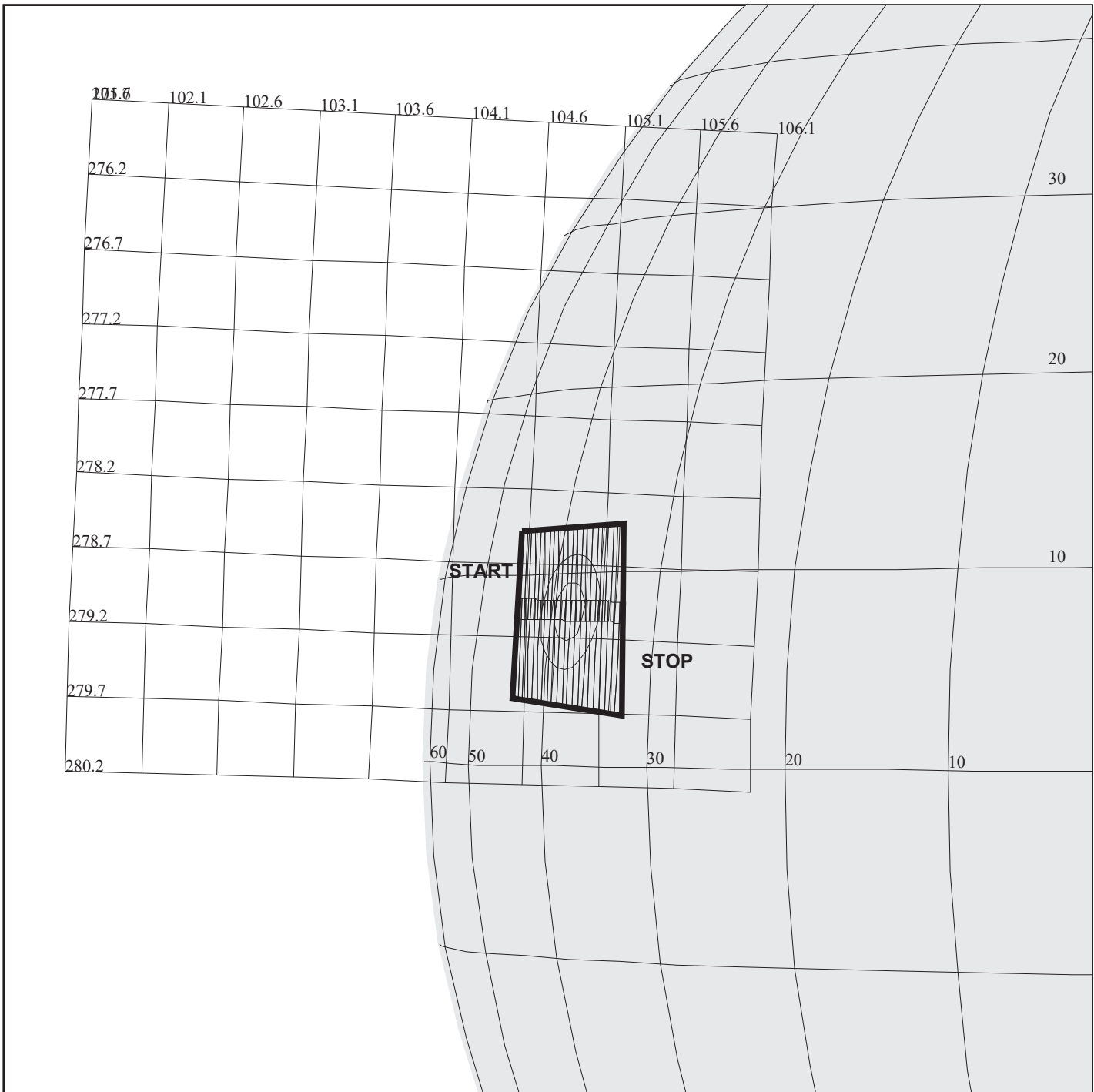
OBSERVATION:C9CNANARR_01

THINNING:NIM 2

BODY PLOT TIME:TARGET-TIME D= 2176 S= 4.500

DESCRIP:Anarr Crater Coverage

Anarr Crater Coverage		ACTIVITY ID: C9CNANARR 01-	
		START TIME: 97-176/13:54:11.600	
Activity ID: Orbit C9 Target C Inst N OAPEL ANARR SeqNo 01 -			
Title	Anarr Crater Coverage	Instrument	
Requestor	NIMS-SWG/M. SEGURA	Team NIMS	Working Group NIMS SWG
Time System	CDS	Load ID	Calendar Date 06/25/97 Week 26
Start	CTE+CDS 00000006:00:0	97-176/13:54:11.600	CTE+000/00:06:04.000
End	CTE+CDS 00000023:56:0	97-176/14:12:00.266	CTE+000/00:23:52.666
Duration	00000017:56:0	000/00:17:48.666	000/00:17:48.666
Top Label	C9CNANARR 01-		
Bottom Label			
Plot Key	NIMS	Type	SCI
CDS Bytes	150	Report Options	BOTH
CDS Source	OAP	Spin State	DUAL
		Scan Platform	Yes
		DMS	Yes
Observation Objective			
To obtain high spectral and high spatial resolution data to determine composition, albedo, and distribution of minor constituents of one of Callisto's high albedo craters.			
Data Returned			
Design Detail			
Instrument Mode: Long Map			
Instrument Gain State: 4			
Spatial Resolution: 2.017 km/nimse1			
Spectral Resolution: 408 Wavelengths			
phase angle: 117.13			
coverage in nimsels:			
54 km x 64.5 km tracks: 0.028			
Forty-two degrees north latitude four degrees longitude.			
Continuous slew mosaic of Anarr. Observation to occur 12 minutes after closest approach. Nyquist scan rate, 20% overlap between swaths.			
2 swaths in the observation.			
Long Map (LM), Gain 4, Grating Start 0, MPW, C9CLM442, C9CLM360			
Galileo Activity Plan Form		06/09/97 10:29:39	rev 6/95



C9CNSKULD_01

165DE:TT= 0 TMC= 1 C= -5.50 XC= -4.00 BS= 0/0113 TC= 1(8.0 38.0)
 A= 728 pD= 2178 SR=17.450 RA50= 54.41 DEC50= 22.19 cone=104.60 clock=278.80
 117DE:#SB= 1 OR= 0.030 RR= 3.800 BM=F RC= 1 BS= 0/0113
 1:#s= 2 Cs= 10.75 XCs= 0.00 Cr= -10.75 XCr= 8.00 sD= 1080 rD= 18

TARGET G3.1 jdods: 6/ 3/1997 15: 7: 4

FILE:P.C9CNSKULD_01

TARGET BODY : CALLISTO

MINI:m.target

S/C EPH:/DATA/NAVIO/T-970513-tour.NS

PERIAPSIS:

START:CTE 97-176/13:48:07.600 +CDS 41:00:0

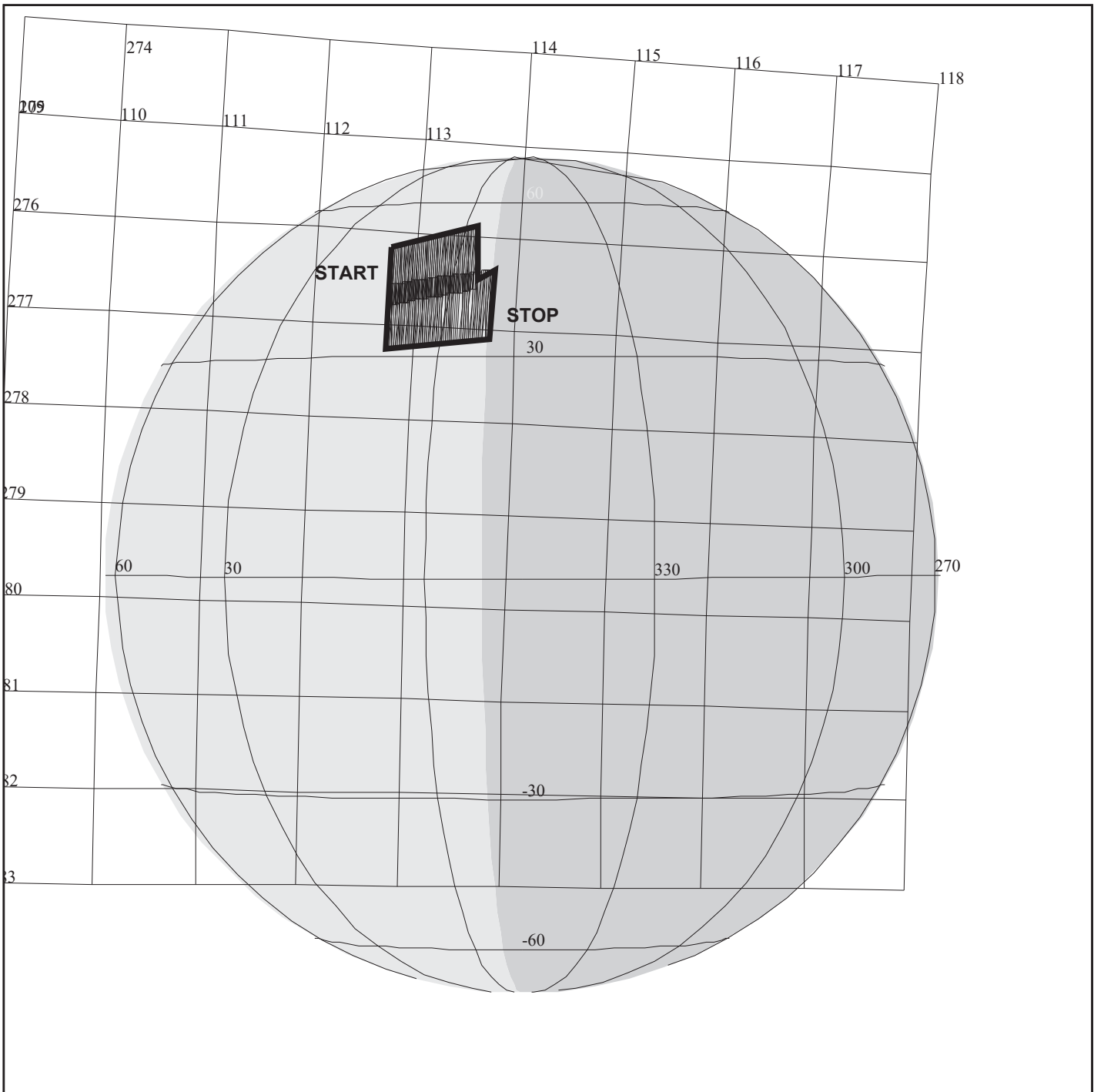
OBSERVATION:C9CNSKULD_01

THINNING:NIM 2

BODY PLOT TIME:TARGET-TIME D= 2178 S= 2.000

DESCRIP:Skuld Crater Coverage

Study of a Bright Crater		ACTIVITY ID:	C9CNSKULD 01-		
		START TIME:	97-176/14:24:31.600		
Activity ID: Orbit C9 Target C Inst N OAPEL SKULD SeqNo 01 -					
Title	Study of a Bright Crater		Instrument		NIMS
Requestor	NIMS-SWG/M. SEGURA		Team	NIMS Working Group	SWG
Time System	CDS	Load ID	Calendar Date	06/25/97	Week 26
Start	CTE+CDS 00000036:00:0		97-176/14:24:31.600	CTE+000/00:36:24.000	
End	CTE+CDS 00000053:25:0		97-176/14:41:59.600	CTE+000/00:53:52.000	
Duration	00000017:25:0		000/00:17:28.000	000/00:17:28.000	
Top Label	C9CNSKULD 01-				
Bottom Label					
Plot Key	NIMS	Type	SCI		
CDS Bytes	150	Report Options	BOTH		
CDS Source	OAP	Spin State	DUAL	Scan Platform	Yes
				DMS	Yes
Observation Objective					
To obtain high spatial and spectral resolution surface data containing high albedo crater located in Valhalla's ring structure - crater surrounded by dark material - comparison of compositional differences.					
Data Returned					
Design Detail					
Two scans across Skuld. Eight degrees north latitude. Thirty-eight degrees longitude. Long/Full map. Wavelengths: 204-408.					
Long Map (LM), Gain 4, Grating Start 0, LPU, C9CLM243C, C9CLM228C					
Galileo Activity Plan Form			06/09/97	10:29:39	rev 6/95



165DF:TT= 0 TMC= 1 C= -25.00 XC= -50.00 BS= 0/5209 TC= 3
 A= 182 pD= 0 SR=17.450 RA50= 45.33 DEC50= 21.77 cone=112.74 clock=276.48
 117DF:#SB= 1 OR= 0.060 RR=12.000 BM=F RC= 1 BS= 0/5209
 1:#s= 2 Cs= 23.00 XCs= 0.00 Cr= -13.00 XCr= 10.00 sD= 1158 rD= 34

C9CNNOLAT_01

TARGET G3.1 jdods: 6/ 3/1997 15: 7: 4

FILE:P.C9CNNOLAT_01

TARGET BODY : CALLISTO

MINI:m.target

S/C EPH:/DATA/NAVIO/T-970513-tour.NS

PERIAPSIS:

START:CTE 97-176/13:48:07.600 +CDS 69:00:0

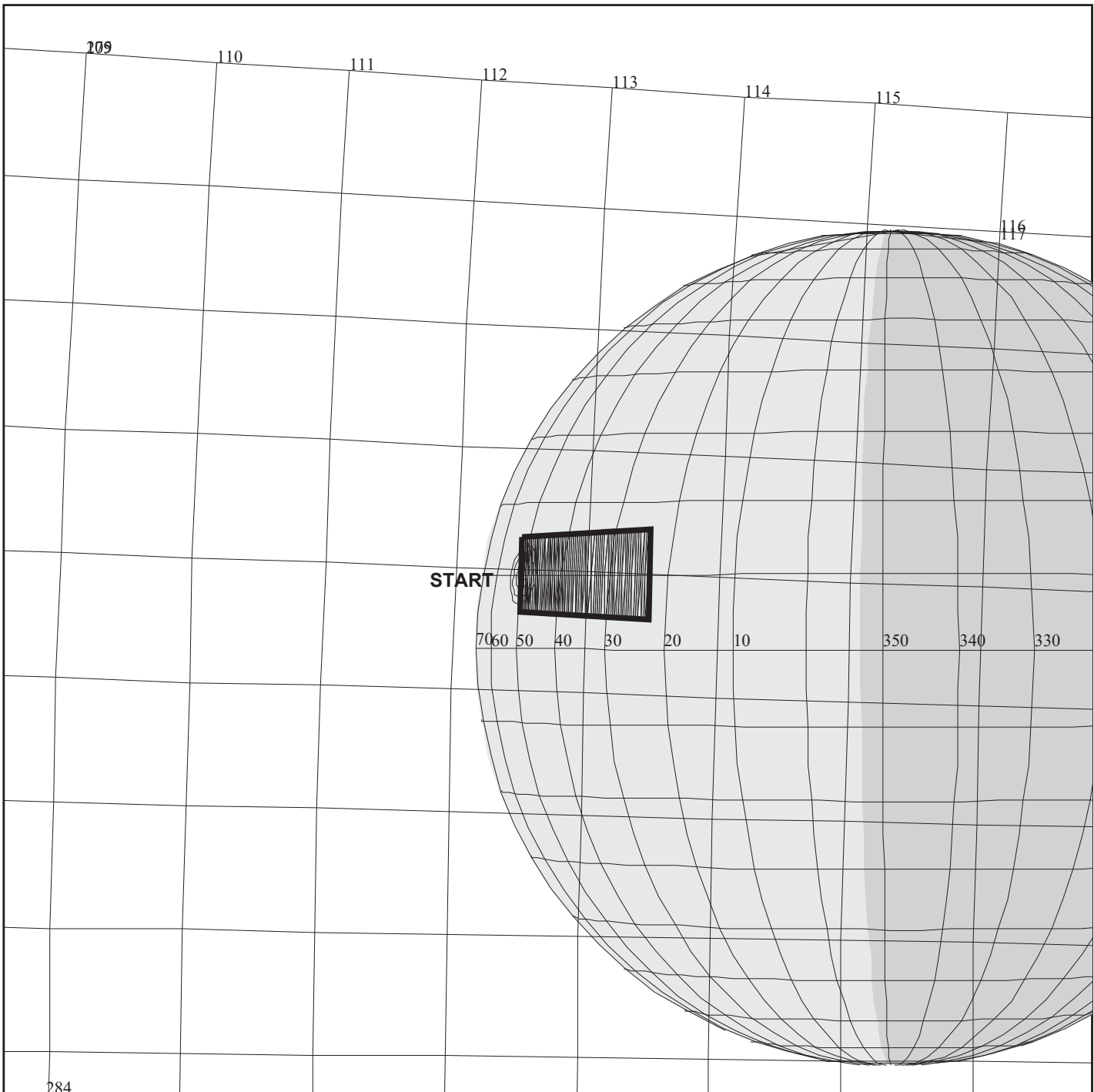
OBSERVATION:C9CNNOLAT_01

THINNING:NIM 2

BODY PLOT TIME:TARGET-TIME D= 0 S= 0.800

DESCRIP:Callisto North Latitude Coverage

North Latitude Coverage		ACTIVITY ID: C9CNNOLAT 01-	
		START TIME: 97-176/14:56:52.933	
Activity ID: Orbit C9 Target C Inst N OAPEL NOLAT SeqNo 01 -			
Title	North Latitude Coverage		Instrument
Requestor	NIMS-SWG/M. SEGURA	Team	NIMS Working Group
			NIMS SWG
Time System	CDS	Load ID	Calendar Date 06/25/97 Week 26
Start	CTE+CDS 00000068:00:0		97-176/14:56:52.933 CTE+000/01:08:45.333
End	CTE+CDS 00000081:88:0		97-176/15:11:00.266 CTE+000/01:22:52.666
Duration	00000013:88:0		000/00:14:07.333 000/00:14:07.333
Top Label	C9CNNOLAT 01-		
Bottom Label			
Plot Key	NIMS	Type	SCI
CDS Bytes	150	Report Options	BOTH
CDS Source	OAP	Spin State	DUAL
		Scan Platform	Yes
		DMS	Yes
Observation Objective			
To obtain combined high spectral and high spatial resolution data in the northern latitudes. To determine composition of the "dark" areas, to search for evidence of ice-volcanism in Callisto's "early years".			
Data Returned			
Design Detail			
Instrument Mode: Full Map			
Instrument Gain State: 4			
Spatial Resolution: 27.45 km/nimsel			
Spectral Resolution: 51 Wavelengths			
Phase Angle: 93.21			
coverage in nimsels :			
tracks: 0.027			
Start at Pole and work towards equator. Continuous slew mosaic of North latitudes, cover all lit longitudes. Nyquist scan rate, 20% overlap between swaths, 3 swaths.			
Long Map (LM), Gain 4, Grating Start 0, LPU, C9CLM243C, C9CLM228C			
Galileo Activity Plan Form		06/09/97 10:29:39	rev 6/95



C9CNVALSPC01

165DG:TT= 0 TMC=1 C= 0.00 XC= 0.00 BS= 0/9031 TC= 1(10.0 50.0)
 A= 728 pD= 0 SR=17.450 RA50= 46.40 DEC50= 19.62 cone=112.50 clock=279.04
 117DG:#SB= 1 OR= 0.030 RR= 6.500 BM=F RC= 1 BS= 0/9031
 1:#s= 1 Cs= 34.40 XCs= 0.00 Cr= -15.50 XCr= 8.00 sD= 3448 rD= 18

TARGET G3.1 jdods: 6/ 3/1997 15: 7: 4

FILE:P.C9CNVALSPC01

TARGET BODY : CALLISTO

MINI:m.target

S/C EPH:/DATA/NAVIO/T-970513-tour.NS

PERIAPSIS:

START:CTE 97-176/13:48:07.600 +CDS 90:00:0

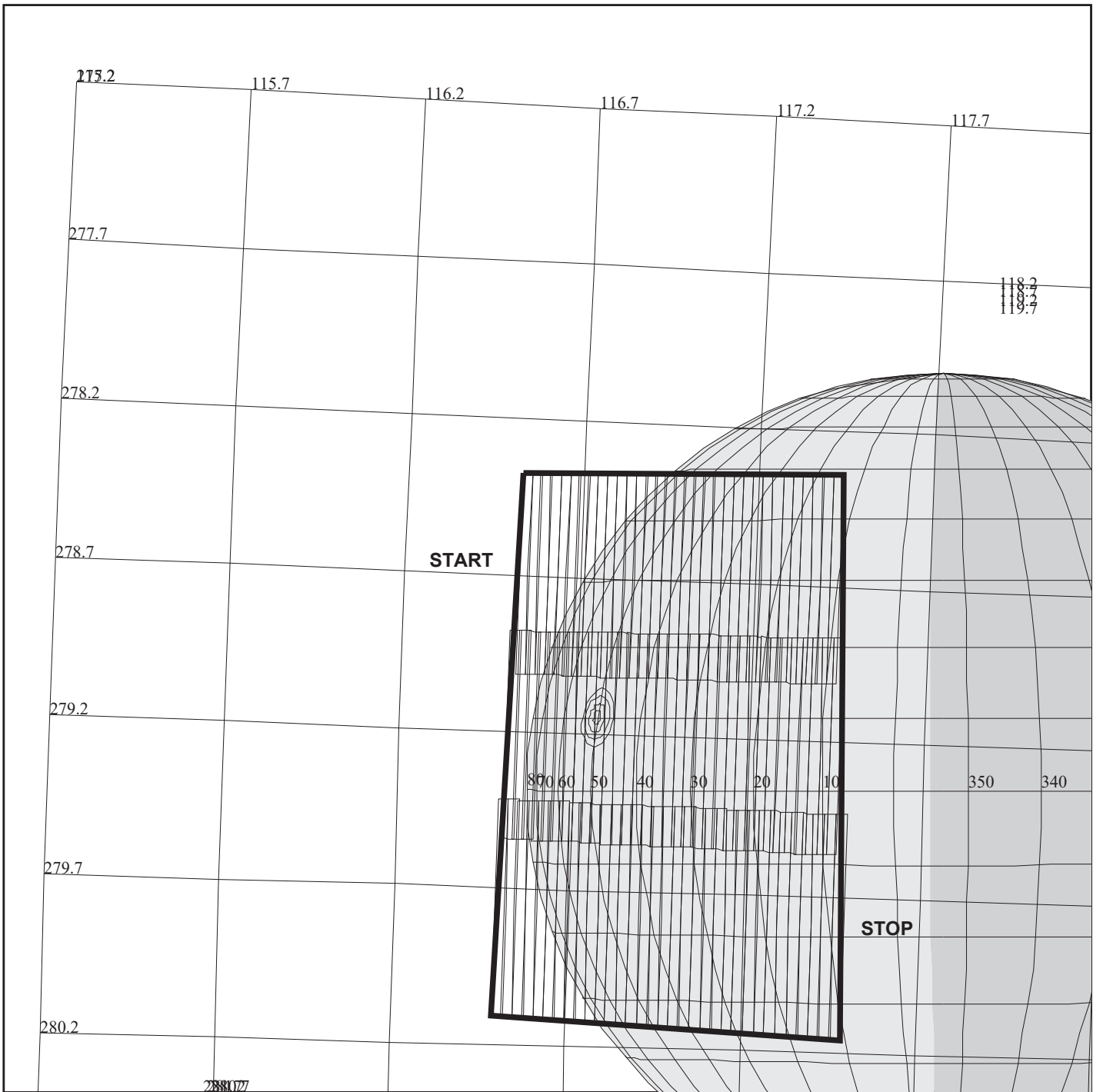
OBSERVATION:C9CNVALSPC01

THINNING:NIM 2

BODY PLOT TIME:TARGET-TIME D= 0 S= 0.800

DESCRIP:Valhalla Spectral Observation

Valhalla Spectral Scan		ACTIVITY ID: C9CNVALSPC01-	
		START TIME: 97-176/15:14:04.266	
Activity ID: Orbit C9 Target C Inst N OAPEL VALSPC SeqNo 01 -			
Title	Valhalla Spectral Scan	Instrument	NIMS
Requestor	NIMS-SWG/M. SEGURA	Team NIMS Working Group	SWG
Time System	CDS	Load ID	Calendar Date 06/25/97 Week 26
Start	CTE+CDS 00000085:00:0	97-176/15:14:04.266	CTE+000/01:25:56.666
End	CTE+CDS 00000109:60:0	97-176/15:39:00.266	CTE+000/01:50:52.666
Duration	00000024:60:0	000/00:24:56.000	000/00:24:56.000
Top Label	C9CNVALSPC01-		
Bottom Label			
Plot Key	NIMS	Type	SCI
CDS Bytes	150	Report Options	BOTH
CDS Source	OAP	Spin State	DUAL
		Scan Platform	Yes
		DMS	Yes
Observation Objective			
To determine minor constituent distribution/differences over Valhalla's Palimpsest and ring structure.			
Data Returned			
Design Detail			
One scan at LM mode. Gain state = 4			
Starting at fifty degrees longitude and plus ten degrees latitude. Nyquist sampling.			
Long Map (LM), Gain 4, Grating Start 0, LPU, C9CLM243C, C9CLM228C			
Galileo Activity Plan Form		06/09/97 10:29:39	rev 6/95



C9CNVALHAL01

165DH:TT= 0 TMC=1 C= -4.00 XC= -7.00 BS= 0/6512 TC= 1(10.0 50.0)
 A= 728 pD= 0 SR=17.450 RA50= 42.29 DEC50= 18.57 cone=116.51 clock=278.72
 117DH:#SB= 1 OR= 0.030 RR= 6.500 BM=F RC= 1 BS= 0/6512
 1:#s= 3 Cs= 17.00 XCs= 0.00 Cr= -15.50 XCr= 8.00 sD= 1704 rD= 18

TARGET G3.1 jdods: 6/ 3/1997 15: 7: 4

FILE:P.C9CNVALHAL01

TARGET BODY : CALLISTO

MINI:m.target

S/C EPH:/DATA/NAVIO/T-970513-tour.NS

PERIAPSIS:

START:CEE 97-176/13:48:07.600 +CDS 241:00:0

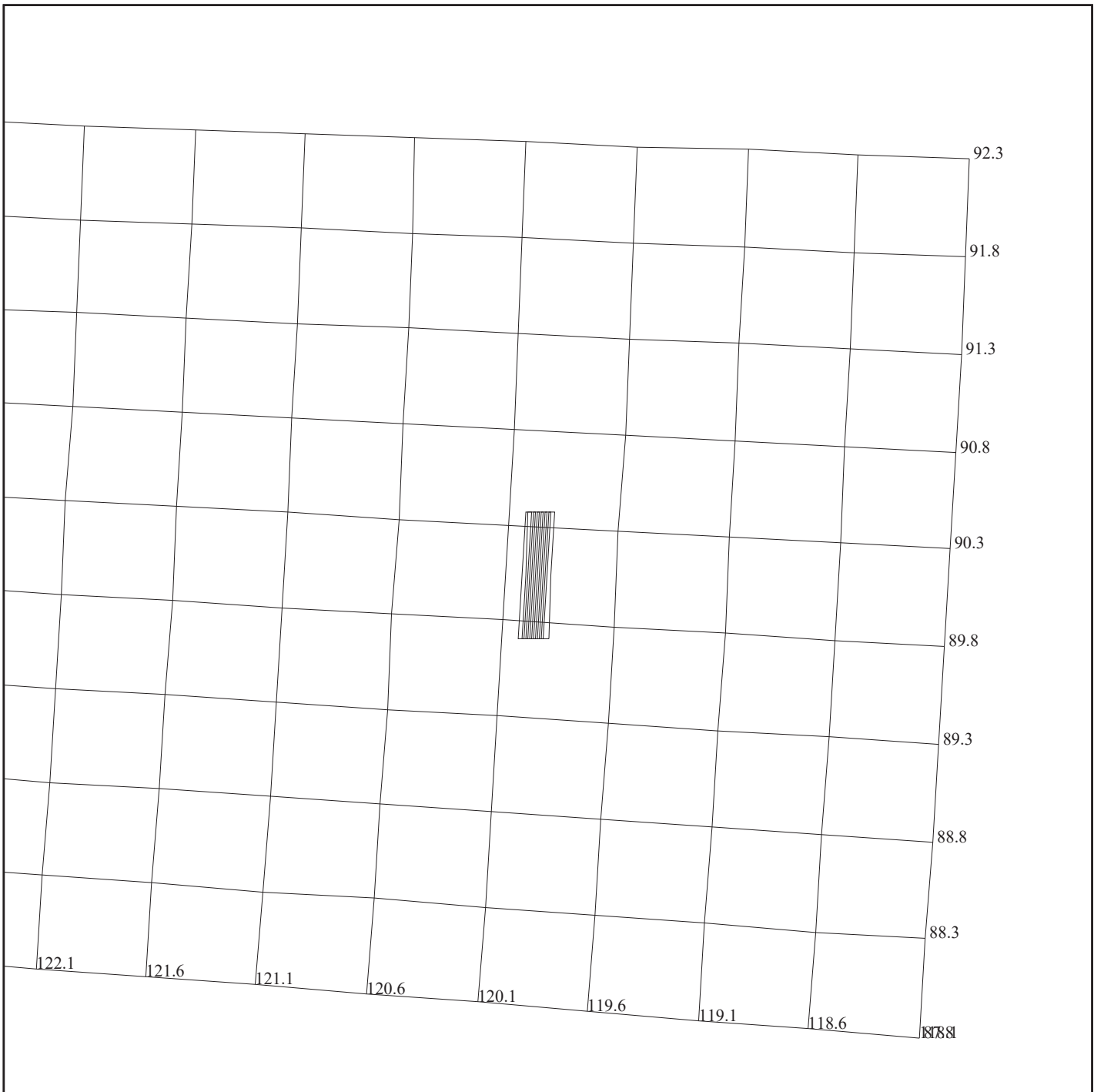
OBSERVATION:C9CNVALHAL01

THINNING:NIM 2

BODY PLOT TIME:TARGET-TIME D= 0 S= 0.800

DESCRIP:Valhalla Multi-Ring Structure

Valhalla Multi-Ring Structure Obs		ACTIVITY ID:	C9CNVALHAL01-		
		START TIME:	97-176/17:46:44.933		
Activity ID: Orbit C9 Target C Inst N OAPEL VALHAL SeqNo 01 -					
Title	Valhalla Multi-Ring Structure Obs		Instrument		NIMS
Requestor	NIMS-SWG/M. SEGURA		Team	NIMS Working Group	SWG
Time System	CDS	Load ID	Calendar Date	06/25/97	Week 26
Start	CTE+CDS 00000236:00:0		97-176/17:46:44.933	CTE+000/03:58:37.333	
End	CTE+CDS 00000269:80:0		97-176/18:21:00.266	CTE+000/04:32:52.666	
Duration	00000033:80:0		000/00:34:15.333	000/00:34:15.333	
Top Label	C9CNVALHAL01-				
Bottom Label					
Plot Key	NIMS	Type	SCI		
CDS Bytes	150	Report Options	BOTH		
CDS Source	OAP	Spin State	DUAL	Scan Platform	Yes
			DMS		Yes
Observation Objective					
<p>The objective is to determine the composition and albedo of Valhalla's Palimpsest, and the ring structure. High spectral resolution data at lower spatial resolution. This is the first NIMS observation of Callisto's largest multi-ring structure.</p>					
Data Returned					
Design Detail					
<p>Instrument Mode: Full Map Instrument Gain State: 4 Spatial Resolution: 55.9 km/nimse1 Spectral Resolution: 102 wavelengths Phase Angle: 91.73 Coverage in nimsels: 4000 tracks: 0.133</p> <p>Twenty all the way to eighty degrees longitude. Forty degrees north latitude, twenty degrees south latitude. Continuous slew mosaic of the Valhalla region at 4 hrs after closest approach. Observation contains Nyquist scan rate, 20% overlap between scans, 4 swaths.</p>					
Long Map (LM), Gain 4, Grating Start 0, LPU, C9CLM243C, C9CLM228C					
Galileo Activity Plan Form			06/09/97	10:29:39	rev 6/95



C9HNDARK__01

165DB:TT= 0 TMC=1 C= 0.00 XC= 0.00 BS=0/2518 TC=2(120 90)
 A=728 pD= 0 SR=17.450 RA50=284.64 DEC50=-34.06 cone=120.00 clock=90.00
 117DB:#SB=1 OR=0.030 RR=12.000 BM=F RC= 1 BS=0/2518
 1:#s= 1 Cs= -1.70 XCs= 0.00 Cr= 0.00 XCr= 0.00 sD= 182 rD= 2

TARGET G3.1 jdods: 6/ 3/1997 15: 7: 4

FILE:P.C9HNDARK__01

CENTRAL BODY:JUPITER

MINI:m.target

S/C EPH:/DATA/NAVIO/T-970513-tour.NS

PERIAPSIS:

THINNING:NIM 1

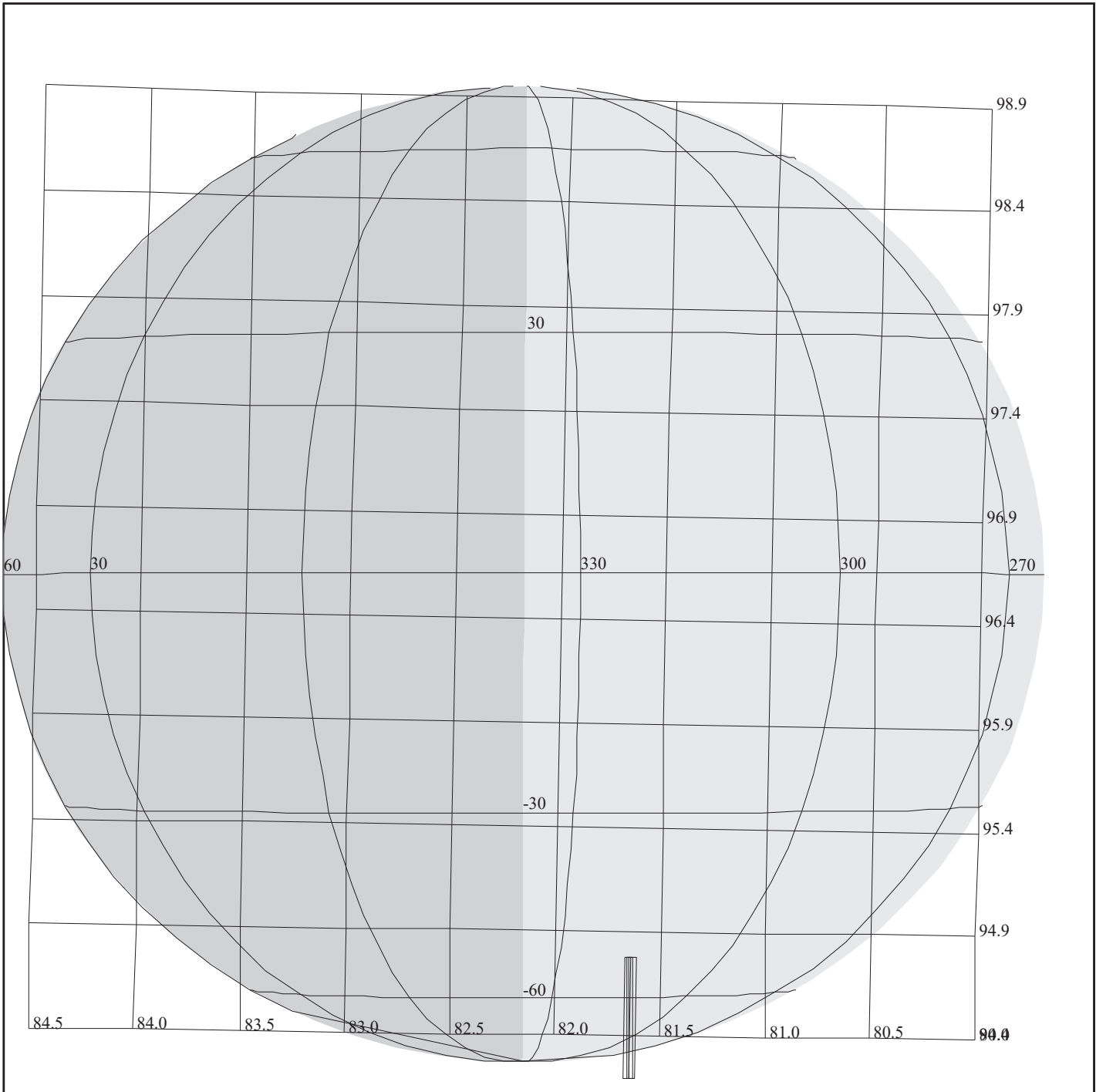
START:CEE 97-176/13:48:07.600 +CDS 274:00:0

BODY PLOT TIME:TARGET-TIME D= 0 S= 1.000

OBSERVATION:C9HNDARK__01

DESCRIP:NIMS_DARK_OBSERVATION

NIMS Dark Observation		ACTIVITY ID: C9HNDARK_01-	
		START TIME: 97-176/18:20:57.600	
Activity ID: Orbit C9 Target H Inst N OAPEL DARK__ SeqNo 01 -			
Title	NIMS Dark Observation		Instrument
Requestor	NIMS-SWG/M. SEGURA		NIMS
	Team	NIMS Working Group	SWG
Time System	CDS	Load ID	Calendar Date 06/25/97 Week 26
Start	CEE+CDS 00000269:76:0 97-176/18:20:57.600		CEE+000/04:32:50.000
End	CEE+CDS 00000275:00:0 97-176/18:26:10.933		CEE+000/04:38:03.333
Duration	00000005:15:0 000/00:05:13.333		000/00:05:13.333
Top Label	C9HNDARK_01-		
Bottom Label			
Plot Key	NIMS	Type	SCI
CDS Bytes	150	Report Options	BOTH
CDS Source	OAP	Spin State	DUAL
		Scan Platform	Yes
		DMS	Yes
Observation Objective			
Collect Dark Values for calibration purposes.			
Data Returned			
Design Detail			
Slew to dark space and record 1 RIM of dark values.			
Long Map			
Gain State 4			
Long Map (LM), Gain 4, Grating Start 0, LPU, C9DRK252, C9DRK252			
Galileo Activity Plan Form		06/09/97 10:29:39	rev 6/95



165FE:TT= 0 TMC= 1 C= 0.00 XC= 0.00 BS= 0/6916 TC= 1(-65 310)
 A= 728 pD= 546 SR=17.450 RA50=218.05 DEC50=-19.15 cone= 81.65 clock= 94.47

C9JNSRTAUR01

DESIGN G3.1 jdods: 6/10/1997 16: 5:34

FILE:P.C9JNSRTAUR01

CENTRAL BODY:JUPITER III

MINI:m.C9JNSRTAUR01

S/C EPH:/DATA/NAVIO/T-970513-tour.NS

PERIAPSIS:

START:JEE 97-178/11:57:33.466 -CDS 2276:00:0

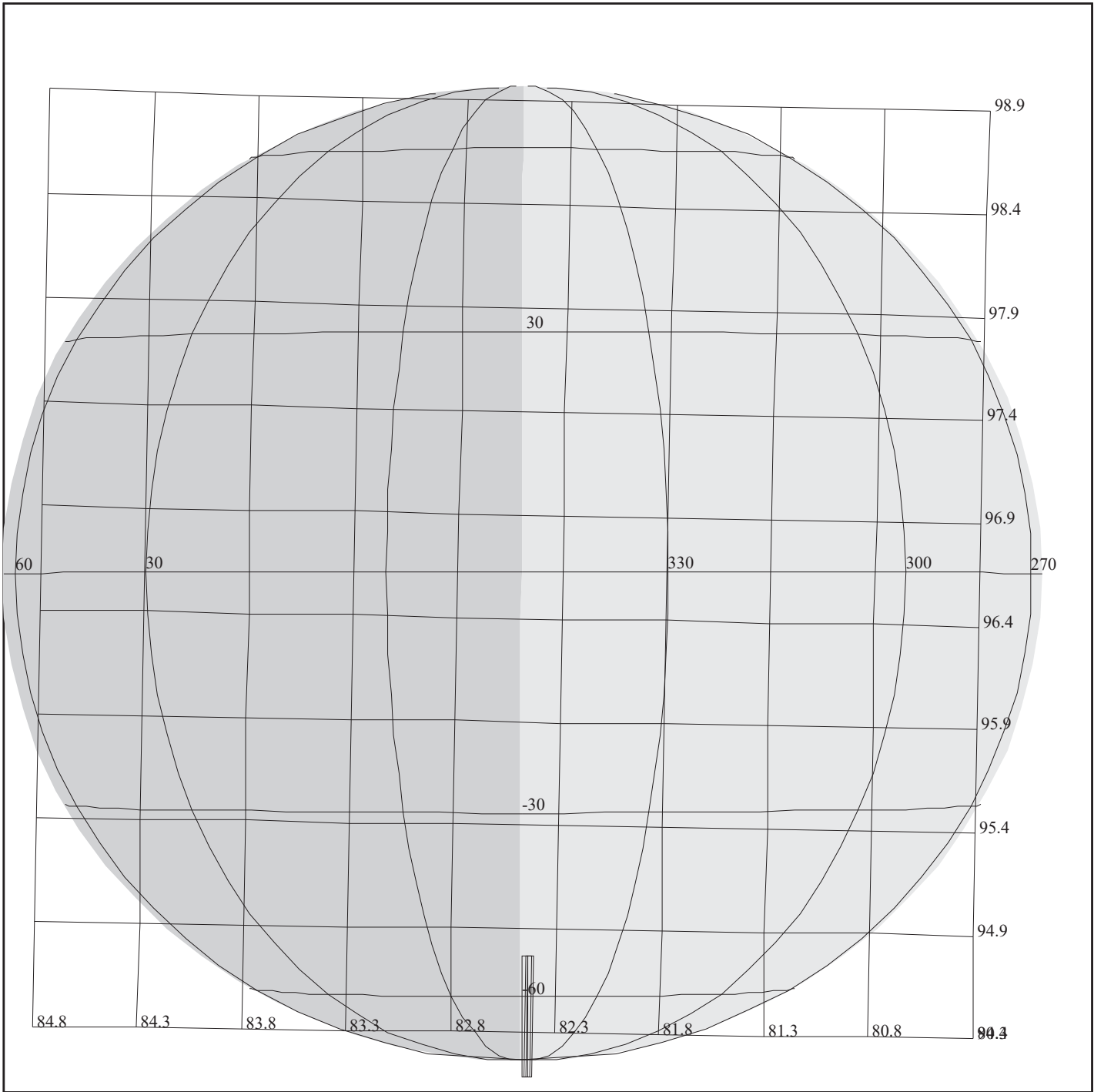
OBSERVATION:C9JNSRTAUR01

THINNING:NIM 7

BODY PLOT TIME:TARGET-TIME D= 546 S= 1.000

DESCRIP:NIMS_Jupiter_Real_Time_North_Aur

NIMS Jupiter Real-Time South Aurora Obs		ACTIVITY ID:	C9JNSRTAUR01-		
		START TIME:	97-176/21:31:12.800		
Activity ID: Orbit C9 Target J Inst N OAPEL SRТАUR SeqNo 01 -					
Title	NIMS Jupiter Real-Time South Aurora Obs Instrument				NIMS
Requestor	NIMS-AWG/K. BAINES		Team	NIMS Working Group	AWG
Time System	CDS	Load ID	Calendar Date	06/25/97	Week 26
Start	JEE-CDS	00002281:00:0	97-176/21:31:12.800	JEE-001/14:26:20.666	
End	JEE-CDS	00002272:00:0	97-176/21:40:18.800	JEE-001/14:17:14.666	
Duration		00000009:00:0	000/00:09:06.000	000/00:09:06.000	
Top Label	C9JNSRTAUR01-				
Bottom Label					
Plot Key	NIMS	Type	SCI		
CDS Bytes	150	Report Options	BOTH	Scan Platform	Yes
CDS Source	OAP	Spin State	DUAL	DMS	No
Observation Objective					
Auroral and thermal emission spectroscopy of the South Pole at about 20 Rj (near Callisto's orbit).					
Data Returned					
Design Detail					
Longmap, 4-mirror position, relative spectra of the nightside of the South Pole. This is the first observation of six, acquired almost hourly from 97-176/20:15:23 to 97-176/03:35:13. Targetted at 65 degrees South latitude, at 310 degrees West, 15 degrees longitude relative to the terminator on the nightside. Observation uses start/stop mosaic to stay pointed at the designed latitude and relative longitude. Eleven RIMS of data (maximum). (3 RIMS minimum).					
Mirror Blocked (1B,1B) (11011,11011)					
Long Map (LM), Gain 4, Grating Start 0, R/T, RT408					
Galileo Activity Plan Form			06/09/97	10:29:39	rev 6/95



165FQ:TT= 0 TMC= 1 C= 0.00 XC= 0.00 BS= 0/9828 TC= 1(-65 345)
 A= 728 pD= 546 SR=17.450 RA50=218.80 DEC50=-19.41 cone= 82.41 clock= 94.44

C9JNSRTAUR02

DESIGN G3.1 jdods: 6/10/1997 16: 6:15

FILE:P.C9JNSRTAUR02

CENTRAL BODY:JUPITER III

MINI:m.C9JNSRTAUR02

S/C EPH:/DATA/NAVIO/T-970513-tour.NS

PERIAPSIS:

START:JEE 97-178/11:57:33.466 -CDS 2260:00:0

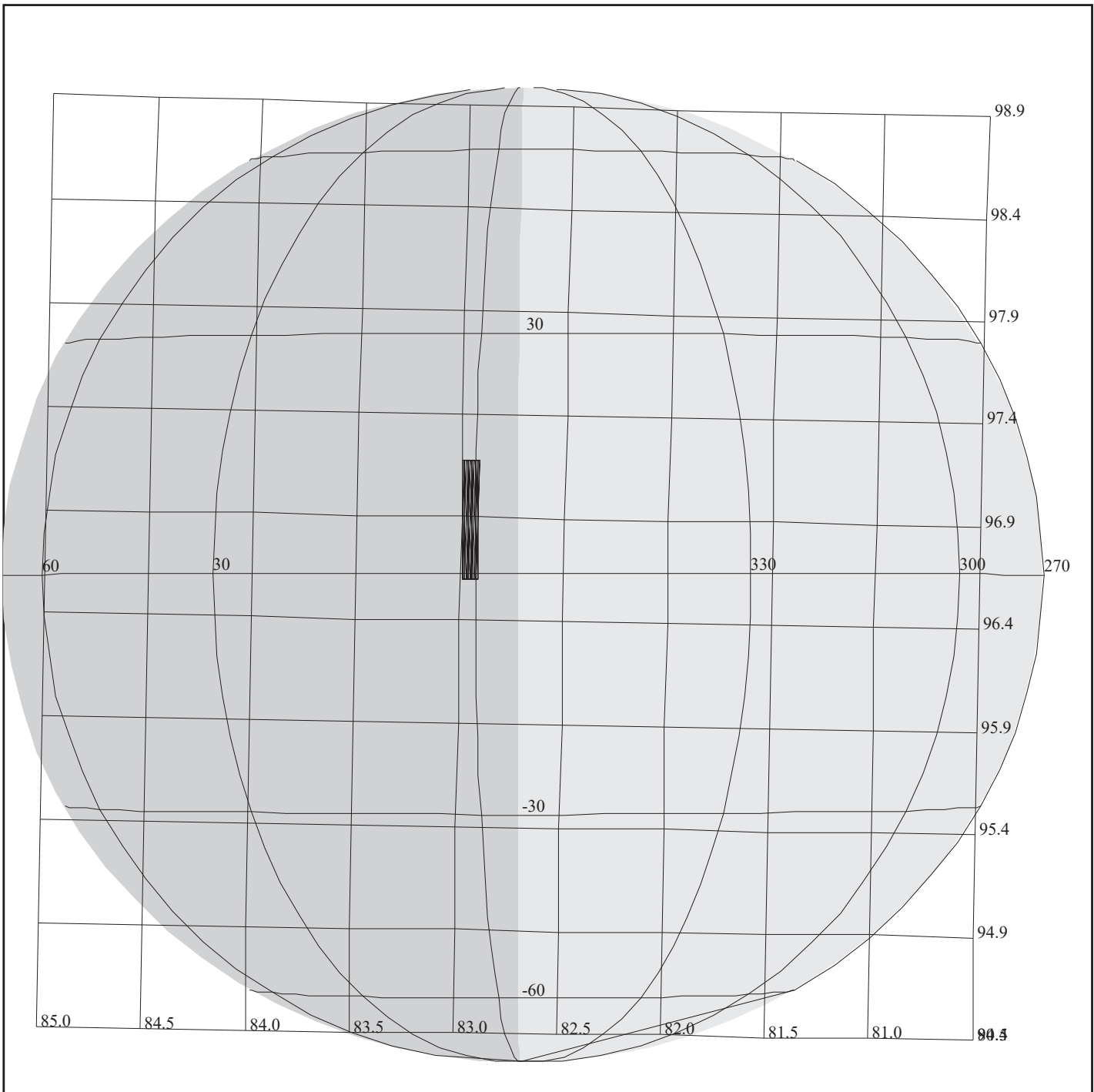
OBSERVATION:C9JNSRTAUR02

THINNING:NIM 7

BODY PLOT TIME:TARGET-TIME D= 546 S= 1.000

DESCRIP:NIMS_Jupiter_Real_Time_North_Aur

NIMS Jupiter Real-Time South Aurora Obs		ACTIVITY ID:	C9JNSRTAUR02-		
		START TIME:	97-176/21:47:23.466		
Activity ID: Orbit C9 Target J Inst N OAPEL SRТАUR SeqNo 02 -					
Title	NIMS Jupiter Real-Time South Aurora Obs Instrument				NIMS
Requestor	NIMS-AWG/K. BAINES		Team	NIMS Working Group	AWG
Time System	CDS	Load ID	Calendar Date	06/25/97	Week 26
Start	JEE-CDS	00002265:00:0	97-176/21:47:23.466	JEE-001/14:10:10.000	
End	JEE-CDS	00002256:00:0	97-176/21:56:29.466	JEE-001/14:01:04.000	
Duration		00000009:00:0	000/00:09:06.000	000/00:09:06.000	
Top Label	C9JNSRTAUR02-				
Bottom Label					
Plot Key	NIMS	Type	SCI		
CDS Bytes	150	Report Options	BOTH	Scan Platform	Yes
CDS Source	OAP	Spin State	DUAL	DMS	No
<p>nd thermal emission spectroscopy of the South Pole at about 20 Rj (near Callisto's orbit).</p>					
Data Returned					
Design Detail					
<p>Longmap, 4-mirror position, relative spectra of the nightside of the South Pole. This is the second observation of six, acquired almost hourly from 97-176/20:15:23 to 97-176/03:35:13. Targetted at 65 degrees South latitude, 345 degrees longitude at 15 degrees longitude relative to the terminator on the nightside. Observation uses start/stop mosaic to stay pointed at the designed latitude and relative longitude. Eleven RIMS of data (maximum). (3 RIMS minimum).</p>					
Mirror Blocked (1B,1B) (11011,11011)					
Long Map (LM), Gain 4, Grating Start 0, R/T, RT408					
Galileo Activity Plan Form			06/09/97	10:29:39	rev 6/95



165MB:TT= 0 TMC=1 C= 0.88 XC= 0.00 BS= 0/2740 TC= 1(6.5 0)
 A= 688 pD= 0 SR=17.450 RA50=220.18 DEC50=-17.33 cone= 83.01 clock= 96.84

C9JNRTHOTS01

TARGET G3.1 jdods: 6/ 3/1997 15: 7: 4

FILE:P.C9JNRTHOTS01

CENTRAL BODY:JUPITER

MINI:m.target

S/C EPH:/DATA/NAVIO/T-970513-tour.NS

PERIAPSIS:

START:JEE 97-178/11:57:33.466 -CDS 2244:00:0

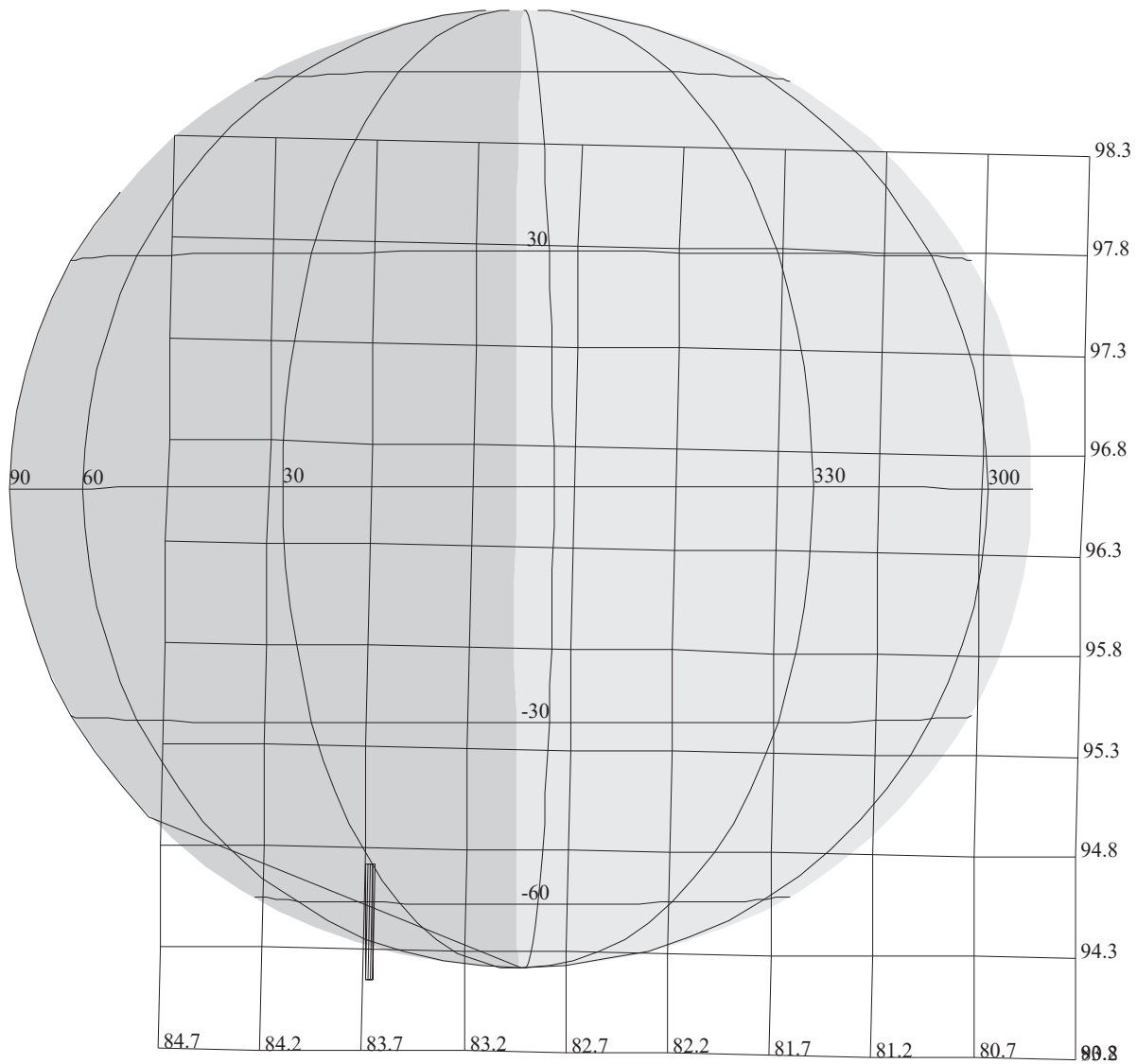
OBSERVATION:C9JNRTHOTS01

THINNING:NIM 1

BODY PLOT TIME:TARGET-TIME D= 0 S= 1.000

DESCRIP:NIMS_Jupiter_Real-Time_Hotspot

NIMS Jupiter Real-Time Hotspot Obs		ACTIVITY ID:	C9JNRTHOTS01-		
		START TIME:	97-176/22:04:34.800		
Activity ID: Orbit C9 Target J Inst N OAPEL RTHOTS SeqNo 01 -					
Title	NIMS Jupiter Real-Time Hotspot Obs		Instrument		NIMS
Requestor	NIMS-AWG/K. BAINES		Team	NIMS Working Group	AWG
Time System	CDS	Load ID	Calendar Date	06/25/97	Week 26
Start	JEE-CDS	00002248:00:0	97-176/22:04:34.800	JEE-001/13:52:58.666	
End	JEE-CDS	00002241:54:0	97-176/22:11:03.466	JEE-001/13:46:30.000	
Duration		00000006:37:0	000/00:06:28.666	000/00:06:28.666	
Top Label	C9JNRTHOTS01-				
Bottom Label					
Plot Key	NIMS	Type	SCI		
CDS Bytes	150	Report Options	BOTH		
CDS Source	OAP	Spin State	DUAL	Scan Platform	Yes
				DMS	No
Observation Objective					
<p>Long Map spectra of the Hotspot region at approximately 400 km/pixel on Jupiter. Determination of water and phosphine content within the Hotspot are primary objectives.</p>					
Data Returned					
Design Detail					
<p>Long Map real-time 3-RIM spectra at 4 mirror positions centered on the Hotspot region. NIMSel coordinates: 0 degrees West longitude, 6.5 degrees North latitude. Acquired near the central meridian at approximately 80 degrees phase angle. Spatial resolution: 380 km/pixel.</p>					
Mirror Blocked (1B,1B) (11011,11011)					
Long Map (LM), Gain 4, Grating Start 0, R/T, RT408					
Galileo Activity Plan Form			06/09/97	10:29:39	rev 6/95



165FU:TT= 0 TMC= 1 C= 0.00 XC= 0.00 BS= 0/5288 TC= 1(-65 45)
A= 728 pD= 546 SR=17.450 RA50=220.10 DEC50=-19.84 cone= 83.70 clock= 94.41

C9JNSRTAUR03

DESIGN G3.1 jdods: 6/10/1997 16: 7:20

FILE:P.C9JNSRTAUR03

CENTRAL BODY:JUPITER III

MINI:m.C9JNSRTAUR03

S/C EPH:/DATA/NAVIO/T-970513-tour.NS

PERIAPSIS:

START:JEE 97-178/11:57:33.466 -CDS 2230:00:0

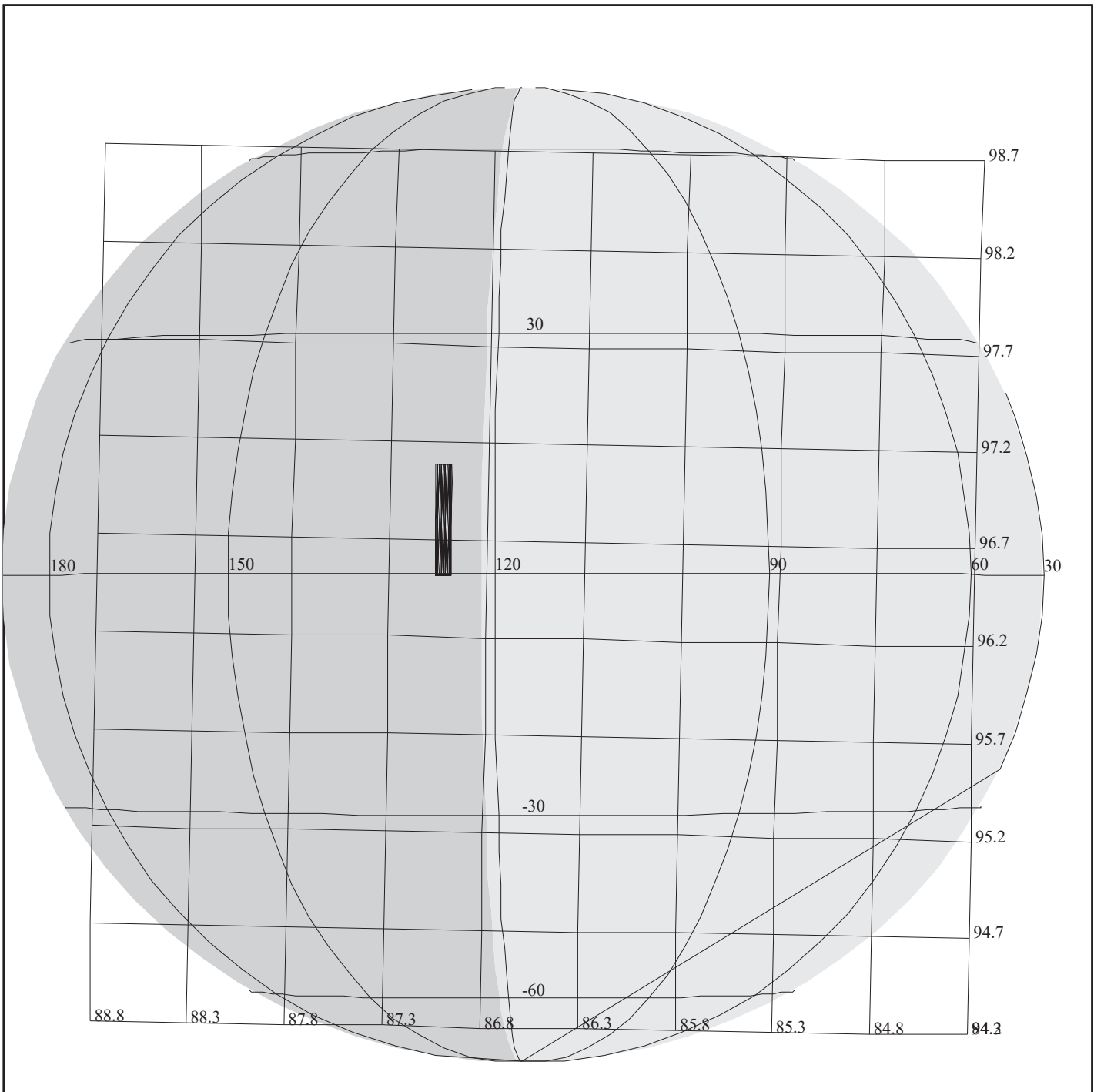
OBSERVATION:C9JNSRTAUR03

THINNING:NIM 7

BODY PLOT TIME:TARGET-TIME D= 546 S= 0.800

DESCRIP:NIMS_Jupiter_Real_Time_North_Aur

NIMS Jupiter Real-Time South Aurora Obs		ACTIVITY ID:	C9JNSRTAUR03-		
		START TIME:	97-176/22:17:43.466		
Activity ID: Orbit C9 Target J Inst N OAPEL SRТАUR SeqNo 03 -					
Title	NIMS Jupiter Real-Time South Aurora Obs Instrument				NIMS
Requestor	NIMS-AWG/K. BAINES		Team	NIMS Working Group	AWG
Time System	CDS	Load ID	Calendar Date	06/25/97	Week 26
Start	JEE-CDS	00002235:00:0	97-176/22:17:43.466	JEE-001/13:39:50.000	
End	JEE-CDS	00002226:00:0	97-176/22:26:49.466	JEE-001/13:30:44.000	
Duration		00000009:00:0	000/00:09:06.000	000/00:09:06.000	
Top Label	C9JNSRTAUR03-				
Bottom Label					
Plot Key	NIMS	Type	SCI		
CDS Bytes	150	Report Options	BOTH	Scan Platform	Yes
CDS Source	OAP	Spin State	DUAL	DMS	No
Observation Objective					
Auroral and thermal emission spectroscopy of the South Pole at about 20 Rj (near Callisto's orbit).					
Data Returned					
Design Detail					
Longmap, 4-mirror position, relative spectra of the nightside of the South Pole. This is the third observation of six, acquired almost hourly from 97-176/20:15:23 to 97-176/03:35:13. Targetted at 65 degrees South latitude, 45 degrees West longitude at 15 degrees longitude relative to the terminator on the nightside. Observation uses start/stop mosaic to stay pointed at the designed latitude and relative longitude. Eleven RIMS of data (maximum). (3 RIMS minimum).					
Mirror Blocked (1B,1B) (11011,11011)					
Long Map (LM), Gain 4, Grating Start 0, R/T, RT408					
Galileo Activity Plan Form			06/09/97	10:29:40	rev 6/95



165MC:TT= 0 TMC=1 C= 0.88 XC= 0.00 BS= 0/0232 TC= 1(6.5 125)
 A= 182 pD= 0 SR=17.450 RA50=224.19 DEC50=-18.57 cone= 87.02 clock= 96.77

C9JNRTHOTS02

TARGET G3.1 jdods: 6/ 3/1997 15: 7: 4

FILE:P.C9JNRTHOTS02

CENTRAL BODY:JUPITER

MINI:m.target

S/C EPH:/DATA/NAVIO/T-970513-tour.NS

PERIAPSIS:

START:JEE 97-178/11:57:33.466 -CDS 2038:00:0

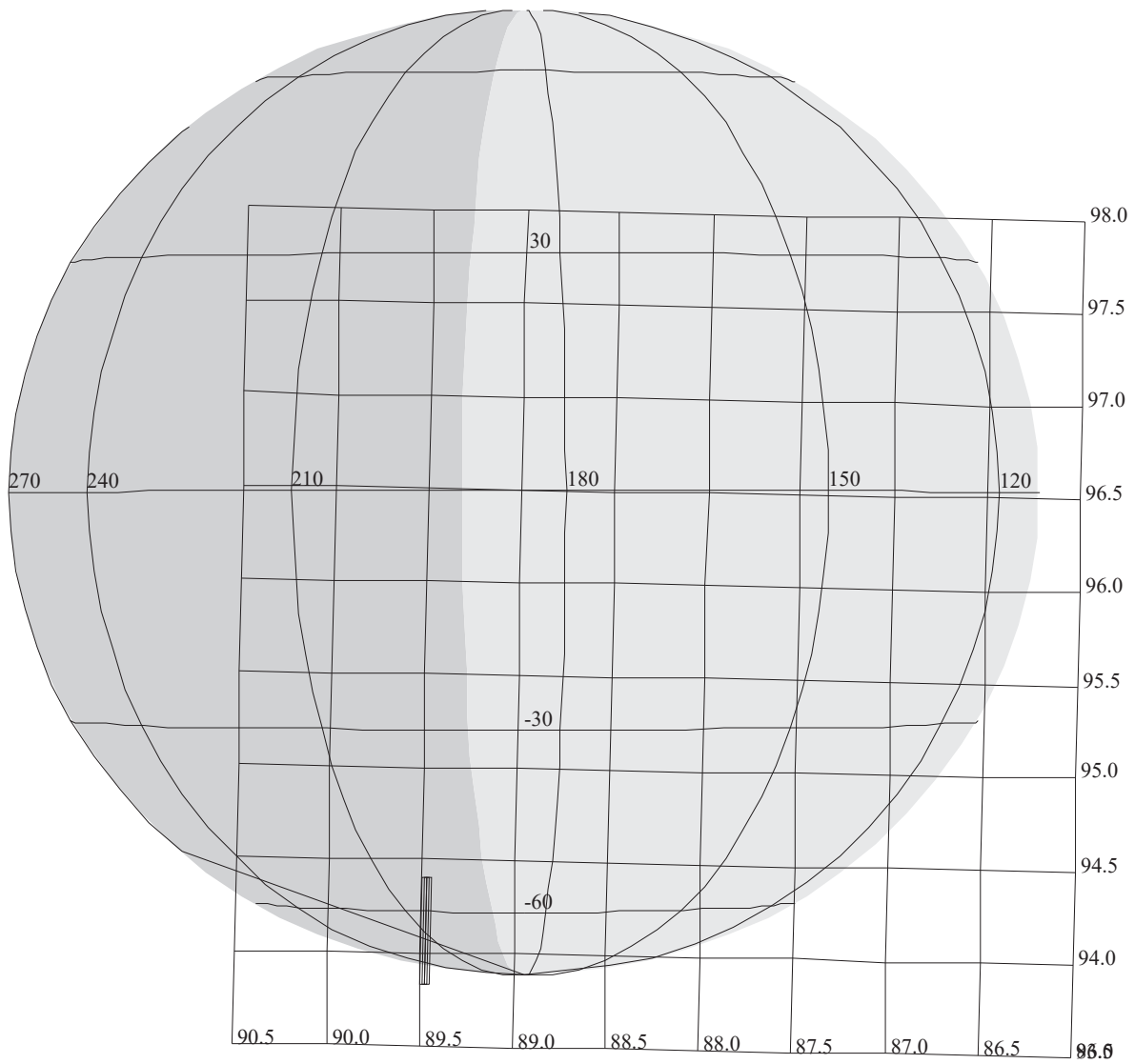
OBSERVATION:C9JNRTHOTS02

THINNING:NIM 1

BODY PLOT TIME:TARGET-TIME D= 0 S= 1.000

DESCRIP:NIMS_Jupiter_Real-Time_Hotspot

NIMS Jupiter Real-Time Hotspot Obs		ACTIVITY ID:	C9JNRTHOTS02-		
		START TIME:	97-177/01:34:53.466		
Activity ID: Orbit C9 Target J Inst N OAPEL RTHOTS SeqNo 02 -					
Title	NIMS Jupiter Real-Time Hotspot Obs		Instrument		NIMS
Requestor	NIMS-AWG/K. BAINES		Team	NIMS Working Group	AWG
Time System	CDS	Load ID	Calendar Date	06/26/97	Week 26
Start	JEE-CDS 00002040:00:0		97-177/01:34:53.466	JEE-001/10:22:40.000	
End	JEE-CDS 00002034:81:0		97-177/01:40:03.466	JEE-001/10:17:30.000	
Duration	00000005:10:0		000/00:05:10.000	000/00:05:10.000	
Top Label	C9JNRTHOTS02-				
Bottom Label					
Plot Key	NIMS	Type	SCI		
CDS Bytes	150	Report Options	BOTH		
CDS Source	OAP	Spin State	DUAL	Scan Platform	Yes
				DMS	No
Observation Objective					
<p>Long Map spectra of the Hotspot region at approximately 400 km/pixel on Jupiter. Determination of water and phosphine content within the Hotspot are primary objectives.</p>					
Data Returned					
Design Detail					
<p>Long Map real-time 1-RIM spectra at 4 mirror positions centered on the Hotspot region. NIMSel coordinates: 125 degrees West longitude, 6.5 degrees North latitude. Acquired near the central meridian at approximately 89 degrees phase angle. Spatial resolution: 420 km/pixel.</p>					
Mirror Blocked (1B,1B) (11011,11011)					
Long Map (LM), Gain 4, Grating Start 0, R/T, RT408					
Galileo Activity Plan Form			06/09/97	10:29:40	rev 6/95



165DM:TT= 0 TMC=1 C= 0.00 XC= 0.00 BS= 0/0980 TC= 1(-65 210)
 A= 728 pD= 546 SR=17.450 RA50=225.88 DEC50=-21.83 cone= 89.45 clock= 94.07

C9JNSRTAUR06

DESIGN G3.1 jdods: 6/10/1997 16: 8:13

FILE:P.C9JNSRTAUR06

CENTRAL BODY:JUPITER III

MINI:m.C9JNSRTAUR06

S/C EPH:/DATA/NAVIO/T-970513-tour.NS

PERIAPSIS:

START:JEE 97-178/11:57:33.466 -CDS 1924:00:0

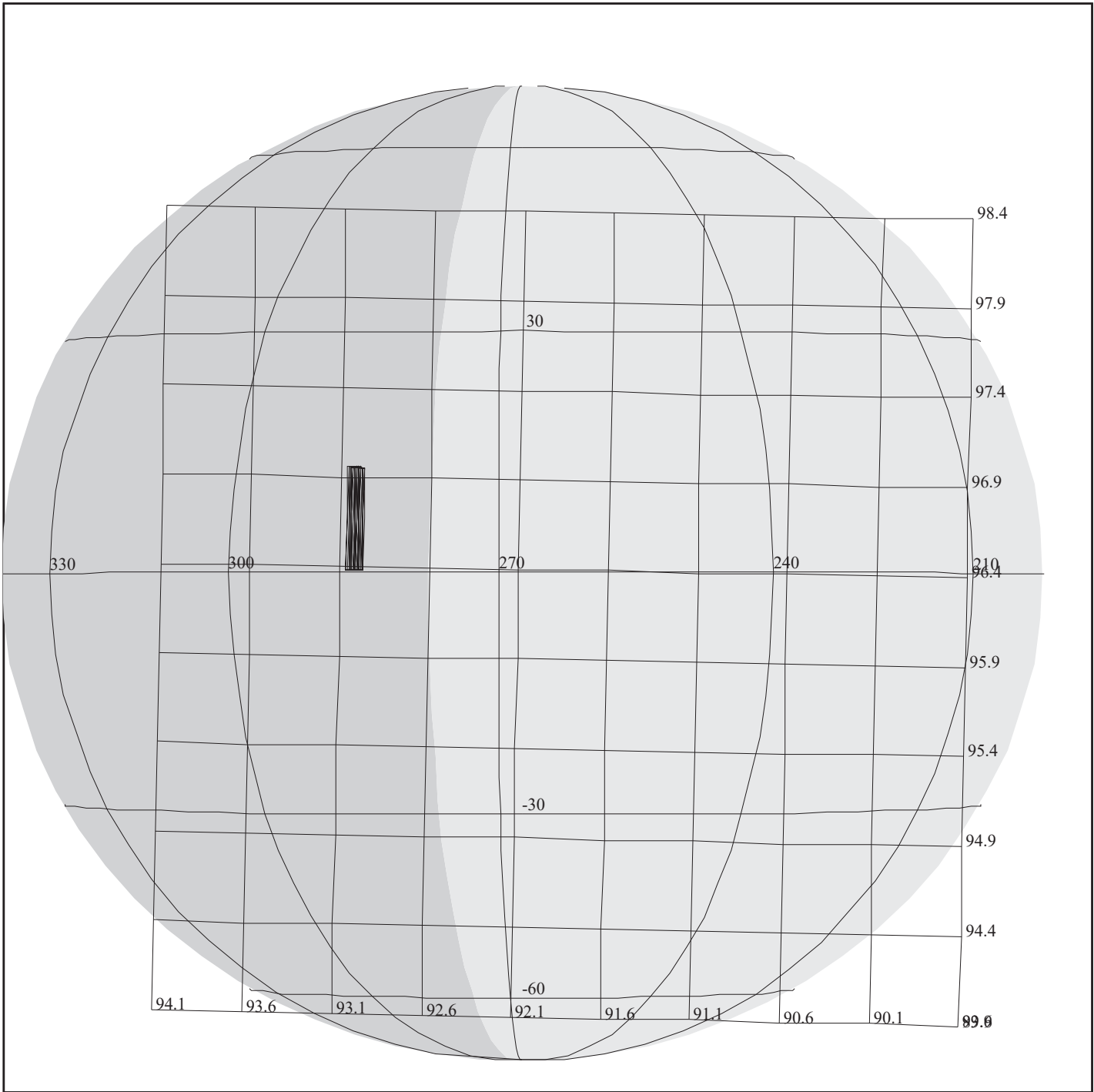
OBSERVATION:C9JNSRTAUR06

THINNING:NIM 7

BODY PLOT TIME:TARGET-TIME D= 546 S= 0.800

DESCRIP:NIMS_Jupiter_Real_Time_North_Aur

NIMS Jupiter Real-Time South Aurora Obs		ACTIVITY ID:	C9JNSRTAUR06-		
		START TIME:	97-177/03:27:07.466		
Activity ID: Orbit C9 Target J Inst N OAPEL SRТАUR SeqNo 06 -					
Title	NIMS Jupiter Real-Time South Aurora Obs Instrument				NIMS
Requestor	NIMS-AWG/K. BAINES		Team	NIMS Working Group	AWG
Time System	CDS	Load ID	Calendar Date	06/26/97	Week 26
Start	JEE-CDS	00001929:00:0	97-177/03:27:07.466	JEE-001/08:30:26.000	
End	JEE-CDS	00001920:00:0	97-177/03:36:13.466	JEE-001/08:21:20.000	
Duration		00000009:00:0	000/00:09:06.000	000/00:09:06.000	
Top Label	C9JNSRTAUR06-				
Bottom Label					
Plot Key	NIMS	Type	SCI		
CDS Bytes	150	Report Options	BOTH	Scan Platform	Yes
CDS Source	OAP	Spin State	DUAL	DMS	No
Observation Objective					
Auroral and thermal emission spectroscopy of the South Pole at about 20 Rj (near Callisto's orbit).					
Data Returned					
Design Detail					
Longmap, 4-mirror position, relative spectra of the nightside of the South Pole. This is the sixth observation of six, acquired almost hourly from 97-176/20:15:23 to 97-176/03:35:13. Targetted at 65 degrees South latitude, 210 degrees West longitude at 15 degrees longitude relative to the terminator on the nightside. Observation uses start/stop mosaic to stay pointed at the designed latitude and relative longitude. Eleven RIMS of data (maximum). (3 RIMS minimum).					
Mirror Blocked (1B,1B) (11011,11011)					
Long Map (LM), Gain 4, Grating Start 0, R/T, RT408					
Galileo Activity Plan Form			06/09/97	10:29:40	rev 6/95



165MD:TT= 0 TMC=1 C= 0.88 XC= 0.00 BS=0/6642 TC= 1(6.5 285)
 A= 182 pD= 0 SR=17.450 RA50=230.37 DEC50=-20.27 cone= 93.09 clock= 96.66

C9JNRTHOTS03

TARGET G3.1 jdods: 6/ 3/1997 15: 7: 4

FILE:P.C9JNRTHOTS03

CENTRAL BODY:JUPITER

MINI:m.target

S/C EPH:/DATA/NAVIO/T-970513-tour.NS

PERIAPSIS:

START:JEE 97-178/11:57:33.466 -CDS 1783:00:0

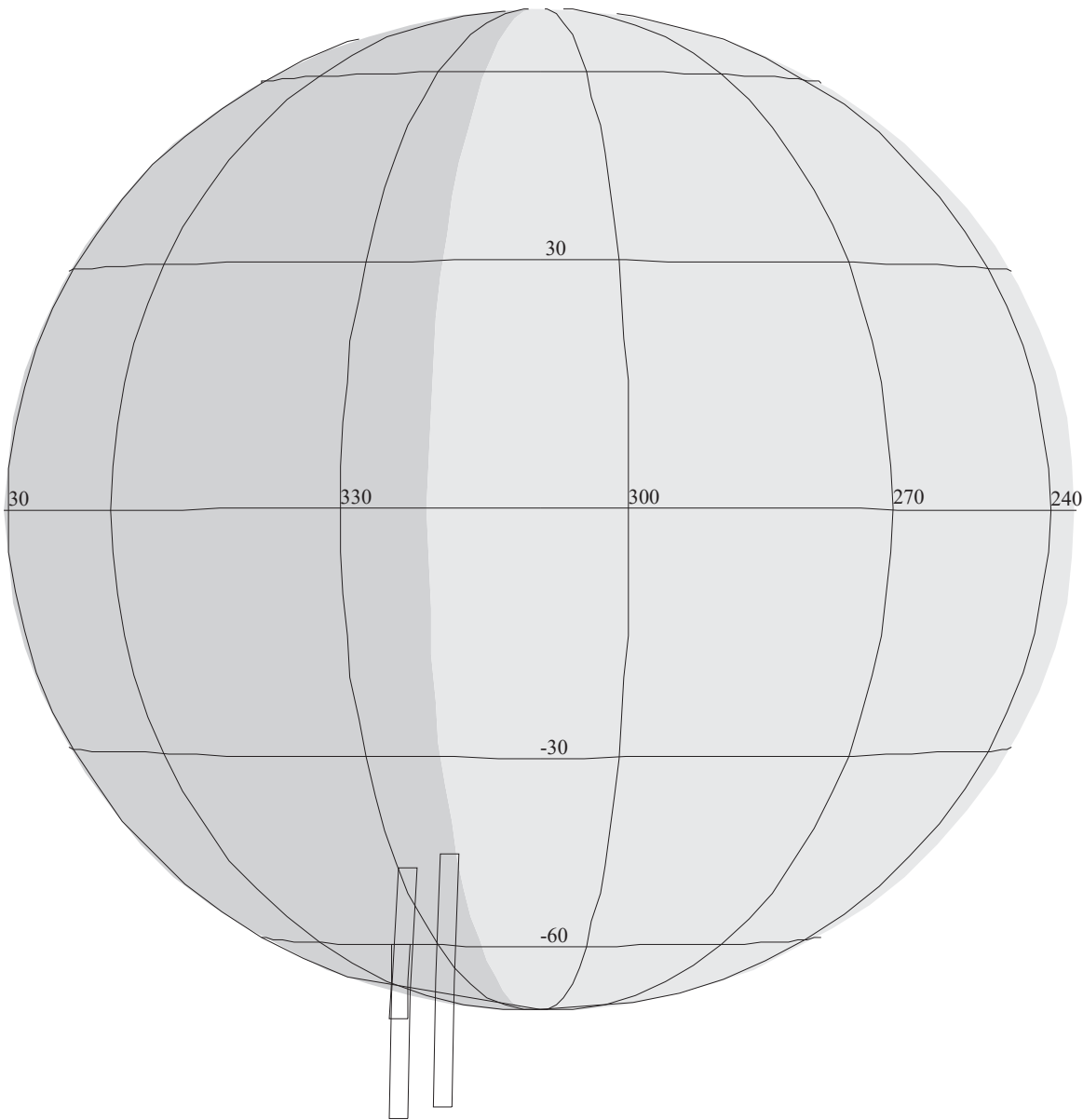
OBSERVATION:C9JNRTHOTS03

THINNING:NIM 1

BODY PLOT TIME:TARGET-TIME D= 0 S= 1.000

DESCRIP:NIMS_Jupiter_Real-Time_Hotspot

NIMS Jupiter Real-Time Hotspot Obs		ACTIVITY ID:	C9JNRTHOTS03-		
		START TIME:	97-177/05:52:43.466		
Activity ID: Orbit C9 Target J Inst N OAPEL RTHOTS SeqNo 03 -					
Title	NIMS Jupiter Real-Time Hotspot Obs		Instrument		NIMS
Requestor	NIMS-AWG/K. BAINES		Team	NIMS Working Group	AWG
Time System	CDS	Load ID	Calendar Date	06/26/97	Week 26
Start	JEE-CDS	00001785:00:0	97-177/05:52:43.466	JEE-001/06:04:50.000	
End	JEE-CDS	00001779:66:0	97-177/05:58:03.466	JEE-001/05:59:30.000	
Duration		00000005:25:0	000/00:05:20.000	000/00:05:20.000	
Top Label	C9JNRTHOTS03-				
Bottom Label					
Plot Key	NIMS	Type	SCI		
CDS Bytes	150	Report Options	BOTH	Scan Platform	Yes
CDS Source	OAP	Spin State	DUAL	DMS	No
Observation Objective					
<p>Long Map spectra of the Hotspot region at approximately 400 km/pixel on Jupiter. Determination of water and phosphine content within the Hotspot are primary objectives.</p>					
Data Returned					
Design Detail					
<p>Long Map real-time 1-RIM spectra at 4 mirror positions centered on the Hotspot region. NIMSel coordinates: 285 degrees West longitude, 6.5 degrees North latitude. Acquired near the central meridian at approximately 93 degrees phase angle. Spatial resolution: 435 km/pixel.</p>					
Mirror Blocked (1B,1B) (11011,11011)					
Long Map (LM), Gain 4, Grating Start 0, R/T, RT408					
Galileo Activity Plan Form			06/09/97	10:29:40	rev 6/95



C9JNAURMAP01

165AH:TT= 0 TMC=1 C= 0.00 XC= 0.00 BS=0/9564 TC= 1(-70 355)
 A= 364 pD= 0 SR=17.450 RA50=231.14 DEC50=-23.51 cone= 94.57 clock= 93.68
 165AK:TT= 0 TMC=1 C= 0.00 XC= 0.00 BS=0/4296 TC= 1(-75 35)
 A= 364 pD= 0 SR=17.450 RA50=231.81 DEC50=-23.76 cone= 95.22 clock= 93.58

TARGET G3.1 jdods: 6/ 3/1997 15: 7: 4

FILE:P.C9JUAURMAP03

CENTRAL BODY:JUPITER

MINI:m.target

S/C EPH:/DATA/NAVIO/T-970513-tour.NS

PERIAPSIS:

THINNING: :UVS 1

START:JEE 97-178/11:57:33.466 -CDS 1712:00:0

BODY PLOT TIME:TARGET-TIME D= 0 S= 0.850

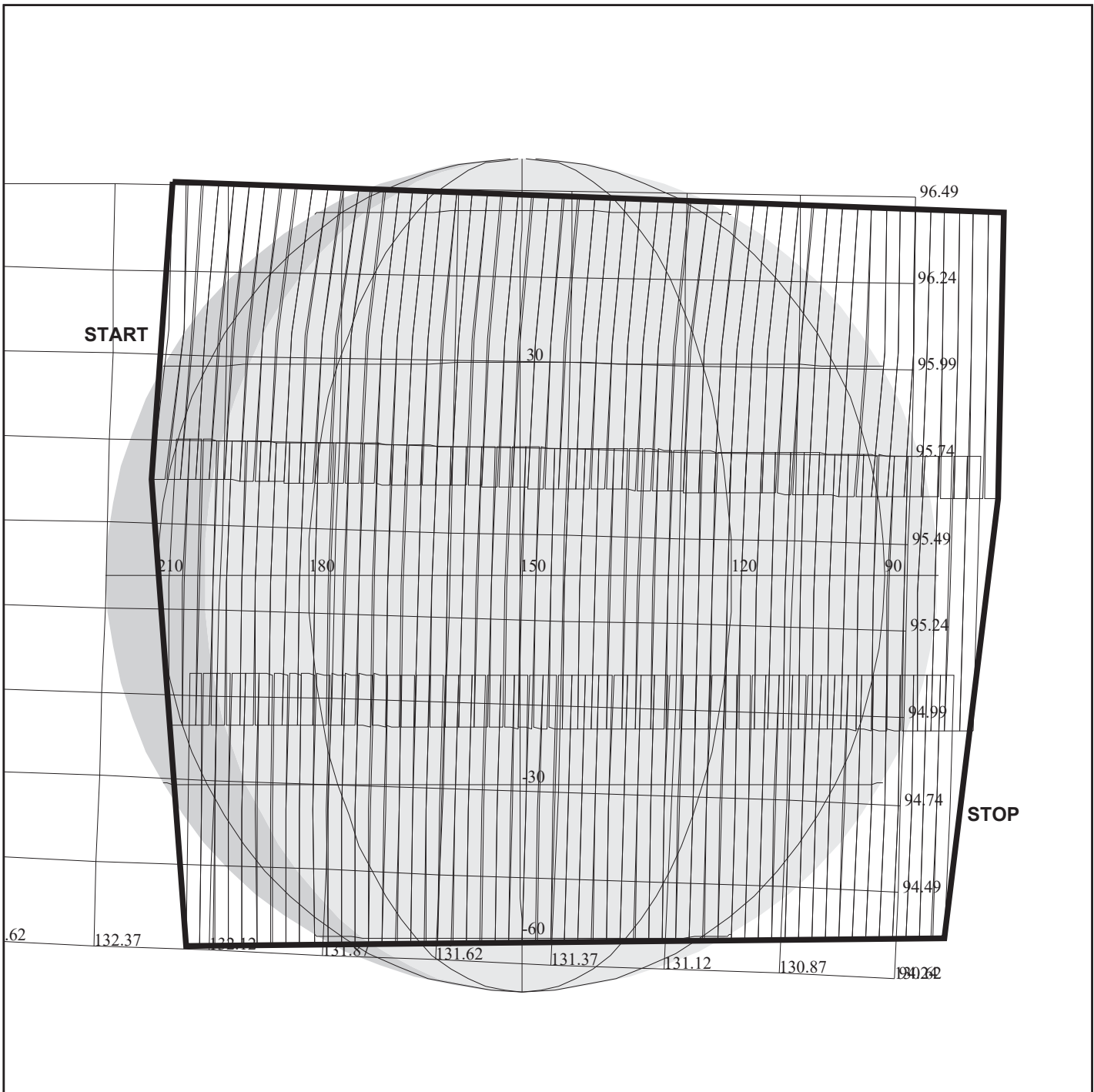
OBSERVATION:C9JUAURMAP03

DESCRIP:Auroral_Asymmetry_Map

NIMS Ride Along with UVS		ACTIVITY ID: C9JNAURMAP01+	
		START TIME: 97-177/07:33:50.133	
Activity ID: Orbit C9 Target J Inst N OAPEL AURMAP SeqNo 01 +			
Title	NIMS Ride Along with UVS		Instrument
Requestor	NIMS-AWG/K. BAINES		NIMS AWG
	Team	NIMS	Working Group
Time System	CDS	Load ID	Calendar Date 06/26/97 Week 26
Start	JEE-CDS 00001685:00:0	97-177/07:33:50.133	JEE-001/04:23:43.333
End	JEE-CDS 00001667:00:0	97-177/07:52:02.133	JEE-001/04:05:31.333
Duration	00000018:00:0	000/00:18:12.000	000/00:18:12.000
Top Label	C9JNAURMAP01+		
Bottom Label			
Plot Key	NIMS	Type	SCI
CDS Bytes	40	Report Options	BOTH
CDS Source	OAP	Spin State	DUAL
		Scan Platform	No
		DMS	No
Observation Objective			
Southern auroral map of nightside between 260-360 longitudes. Observe color ratios for H2 band particle energies.			
Data Returned			
Design Detail			
Ride-along with UVS (C9JUAURMAP03). Select 3 RIMS of real-time data.			
Mirror Blocked (1B,1B) (11011,11011)			
Long Map (LM), Gain 4, Grating Start 0, R/T, RT408			
Galileo Activity Plan Form		06/09/97 10:29:40	rev 6/95

This page BLANK

NIMS Real-Time Software Reload		ACTIVITY ID: C9NNRELOAD01-	
		START TIME: 97-177/11:21:20.200	
Activity ID: Orbit C9 Target N Inst N OAPEL RELOAD SeqNo 01 -			
Title	NIMS Real-Time Software Reload		Instrument
Requestor	NIMS-SWG/J. HUI	Team	NIMS Working Group
			NIMS SWG
Time System	CDS	Load ID	Calendar Date 06/26/97 Week 26
Start	GEE-CDS 00000355:00:0	97-177/11:21:20.200	GEE-000/05:58:56.666
End	GEE-CDS 00000345:00:0	97-177/11:31:26.866	GEE-000/05:48:50.000
Duration	00000010:00:0	000/00:10:06.666	000/00:10:06.666
Top Label	C9NNRELOAD01-		
Bottom Label			
Plot Key	NIMS	Type	SCI
CDS Bytes	150	Report Options	BOTH
CDS Source	OAP	Spin State	DUAL
		Scan Platform	No
		DMS	No
Observation Objective			
<p>Reload NIMS software to prevent loss of science observations. These loads are placed strtegeticaly to protect high priority science.</p> <p>Memory reload from CDS to NIMS and restart. Diagnostic Checksum, Processor Halt, Memory Reload from CDS, Instrument Restart, and Operational Mode Set.</p>			
Design Detail			
<p>Use a standard set of commands to halt the instrument, load the software and reinitialize the instrument.</p> <p>6CKSUM - Check Sum NIMS RAM 1000 - 14BC 37PL - Halt NIMS Processor (37PL) 37MRL - Memory Reallocate 6MCPY - Copy flight software from CDS to NIMS 1000 6MCPY - Copy flight software from CDS to NIMS 1598 37IRT - Instrument Reset 37MN - Memory Normal 37IST - Chopper Reference.</p>			
Galileo Activity Plan Form		06/09/97 10:29:40 rev 6/95	



C9NGLOBAL01

165DI:TT= 0 TMC= 1 C= 12.00 XC= 8.00 BS= 0/0888 TC= 3
 A= 546 pD= 8554 SR=17.450 RA50=268.29 DEC50=-25.03 cone=128.30 clock= 96.08
 117DI:#SB= 1 OR= 0.030 RR=12.000 BM=F RC= 1 BS= 0/0888
 1:#s= 3 Cs= -28.20 XCs= 0.00 Cr= 28.20 XCr= -8.50 sD= 2834 rD= 26

TARGET G3.1 jdods: 6/ 3/1997 15: 7: 4

FILE:P.C9NGLOBAL01

TARGET BODY : GANYMEDE

MINI:m.target

S/C EPH:/DATA/NAVIO/T-970513-tour.NS

PERIAPSIS:

THINNING:NIM 2

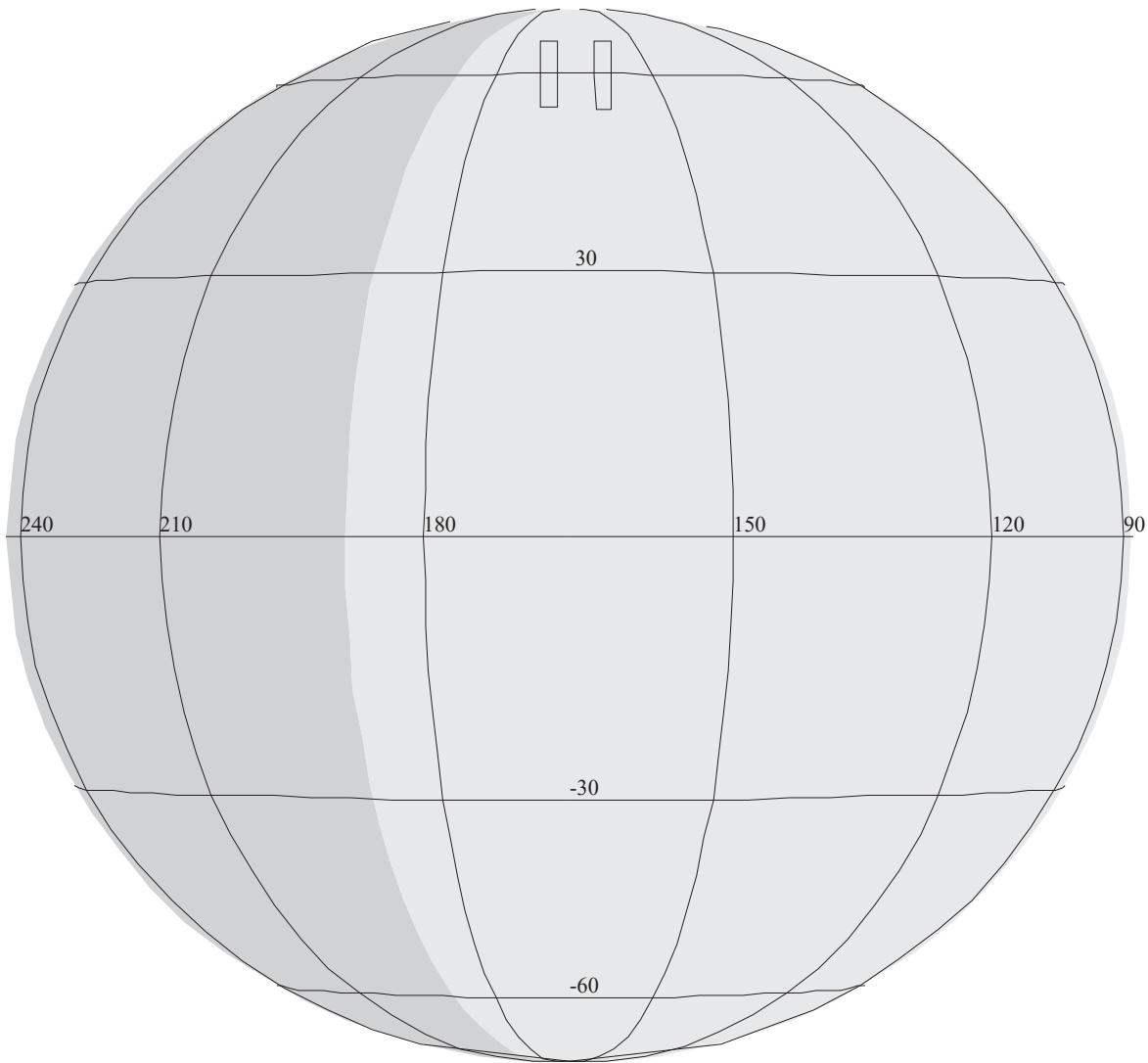
START:GEE 97-177/17:20:16.866 -CDS 325:00:0

BODY PLOT TIME:END-TIME D= 8554 S= 0.800

OBSERVATION:C9NGLOBAL01

DESCRIP:Ganymede Global Map 01

Global Surface Map		ACTIVITY ID: C9GNGLOBAL01-	
		START TIME: 97-177/11:47:37.533	
Activity ID: Orbit C9 Target G Inst N OAPEL GLOBAL SeqNo 01 -			
Title	Global Surface Map	Instrument	NIMS
Requestor	NIMS-SWG/J. HUI	Team NIMS Working Group	SWG
Time System	CDS	Load ID	Calendar Date 06/26/97 Week 26
Start	GEE-CDS 00000329:00:0	97-177/11:47:37.533	GEE-000/05:32:39.333
End	GEE-CDS 00000277:00:0	97-177/12:40:12.200	GEE-000/04:40:04.666
Duration	00000052:00:0	000/00:52:34.667	000/00:52:34.667
Top Label	C9GNGLOBAL01-		
Bottom Label	NIMS Ganymede		
Plot Key	NIMS	Type	SCI
CDS Bytes	150	Report Options	BOTH
CDS Source	OAP	Spin State	DUAL
		Scan Platform	Yes
		DMS	Yes
Observation Objective			
<p>To obtain high spectral resolution map of the Ganymede's surface. This observation investigates the surface mineralogy and distribution of compositional units in a global context. The global map can be used to compare Ganymede to the other satellites to look for similarity and differences. The longitude coverage is 60 to 200 degrees.</p>			
Data Returned			
Design Detail			
<p>This is the 4th of 5 global observations to cover all longitudes. Continuous slew mosaic over lit surface in the longitude range 60 to 200 degrees. Scan platform slew rate is 0.03mrad/sec, to achieve Nyquist sampling rate. This observation consists of 4 swaths.</p>			
NIMS mode <LM>, Chopper <Ref>, Grating Offset <4>, Record Format <LPU>,		Gain State <3>, Grating Start <0>, # wavelengths Record <204>, Playback Wavelengths <204>.	
Spatial resolution is <85km>, Incident angle <10 to 120 deg.>,		Phase <42 deg.>, Emission angle <10 to 90 deg.>.	
Long Map (LM), Gain 3, Grating Start 0, LPU, C9GLM243K, C9GLM228K			
Galileo Activity Plan Form		06/09/97 10:29:40 rev 6/95	



165AP:TT= 0 TMC= 1 C= 0.00 XC= 0.00 BS= 0/7268 TC= 1(60 170)
 A= 364 pD= 0 SR=17.450 RA50=242.95 DEC50=-20.45 cone=104.66 clock= 99.00

C9JNAURMAP02

TARGET G3.1 jdods: 6/ 3/1997 15: 7: 4

FILE:P.C9JUFIXLON01

CENTRAL BODY:JUPITER

MINI:m.target

S/C EPH:/DATA/NAVIO/T-970513-tour.NS

PERIAPSIS:

START:JEE 97-178/11:57:33.466 -CDS 1340:00:0

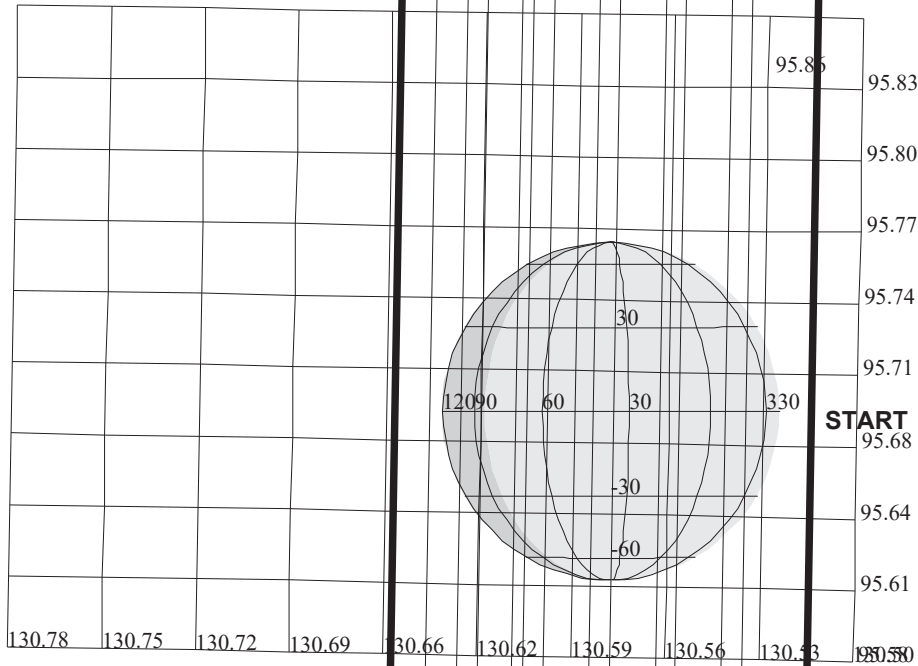
OBSERVATION:C9JUFIXLON01

THINNING: :UVS 1

BODY PLOT TIME:TARGET-TIME D= 0 S= 0.850

DESCRIP:Fixed_Longitude_Map

Ride Along with UVS		ACTIVITY ID: C9JNAURMAP02+	
		START TIME: 97-177/13:20:38.800	
Activity ID: Orbit C9 Target J Inst N OAPEL AURMAP SeqNo 02 +			
Title	Ride Along with UVS	Instrument	
Requestor	NIMS-AWG/K. BAINES	Team	NIMS Working Group
			NIMS AWG
Time System	CDS	Load ID	Calendar Date 06/26/97 Week 26
Start	JEE-CDS 00001342:00:0	97-177/13:20:38.800	JEE-000/22:36:54.666
End	JEE-CDS 00001310:00:0	97-177/13:53:00.133	JEE-000/22:04:33.333
Duration	00000032:00:0	000/00:32:21.333	000/00:32:21.333
Top Label	C9JNAURMAP02+		
Bottom Label			
Plot Key	NIMS	Type	SCI
CDS Bytes	40	Report Options	BOTH
CDS Source	OAP	Spin State	DUAL
		Scan Platform	No
		DMS	No
Observation Objective			
Northern auroral map of dayside at 170 longitudes. Observe color ratios for H2 band particle energies.			
Data Returned			
Design Detail			
Ride-along with UVS (C9JUFIXLON01). Select 3 RIMS of real-time data.			
Mirror Blocked (1B,1B) (11011,11011)			
Long Map (LM), Gain 4, Grating Start 0, R/T, RT408			
Galileo Activity Plan Form		06/09/97 10:29:40	rev 6/95



C9ENCLIPSE01

DESIGN G3.1 jdods: 6/11/1997 13:31:56

FILE:P.C9ENCLIPSE01

TARGET BODY : EUROPA

MINI:m.C9ENCLIPSE01

S/C EPH:/DATA/NAVIO/T-970513-tour.NS

PERIAPSIS:

START:EEE 97-178/10:10:22.800 -CDS 1078:00:0

OBSERVATION:C9ENCLIPSE01

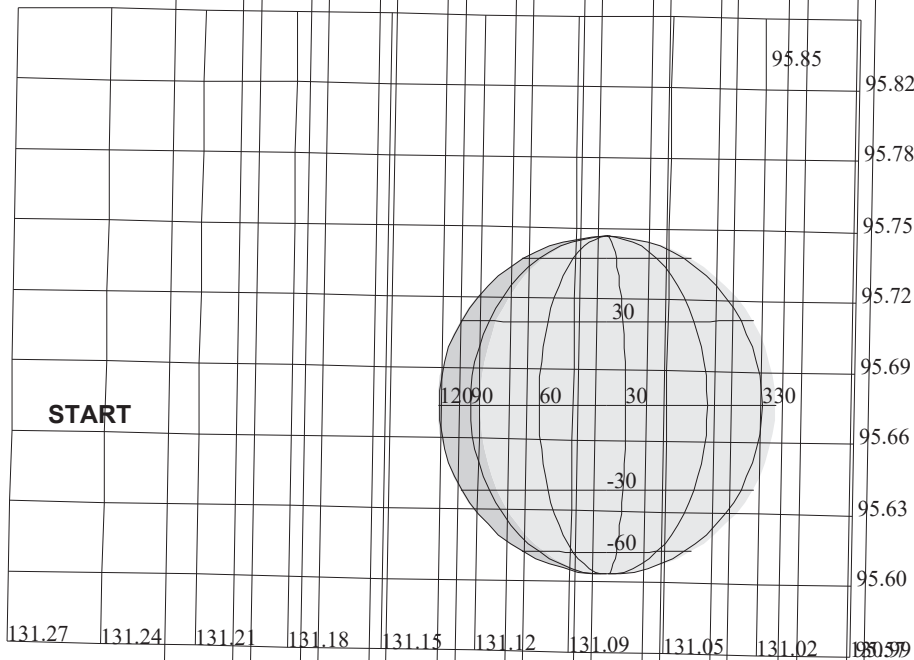
165DJ:TT= 0 TMC= 1 C= -1.00 XC= 0.00 BS= 0.5660 TC= 3
 A= 728 pD= 0 \$R=17.450 RA50=270.76 DEC5=-25.26 cone=130.52 clock= 95.69
 117DJ:#SB= 1 OR= 0.060 RR= 1.400 BM=F RC= 1 BS= 0/5660
 1:#s= 5 Cs= 3.00 XCs= 0.00 Cr= -2.10 XCr= 0.00 sD= 158 rD= 16

THINNING:NIM 2

BODY PLOT TIME:TARGET-TIME D= 0 S= 0.500

DESCRIP:Europa Eclipse part 1

Europa Eclipse part 1		ACTIVITY ID: C9ENCLIPSE01-	
		START TIME: 97-177/15:55:20.800	
Activity ID: Orbit C9 Target E Inst N OAPEL CLIPSE SeqNo 01 -			
Title	Europa Eclipse part 1	Instrument	NIMS
Requestor	NIMS-SWG/A. OCAMPO	Team	NIMS Working Group SWG
Time System	CDS	Load ID	Calendar Date 06/26/97 Week 26
Start	EEE-CDS 00001083:00:0	97-177/15:55:20.800	EEE-000/18:15:02.000
End	EEE-CDS 00001072:00:0	97-177/16:06:28.134	EEE-000/18:03:54.666
Duration	00000011:00:0	000/00:11:07.334	000/00:11:07.334
Top Label	C9ENCLIPSE01-		
Bottom Label			
Plot Key	NIMS	Type	SCI
CDS Bytes	150	Report Options	BOTH
CDS Source	OAP	Spin State	DUAL
		Scan Platform	Yes
		DMS	Yes
Observation Objective			
<p>This is the first of three Europa eclipse observations that will serve to determine a cooling curve to help assess the presence of solid state green house. This observation has been coordinated with PPR to obtain the cooler temperature.</p> <p>Update: Since PPR cannot use the thermal filter, PPR will not participate in this observation. Also, out of three original observations, two observations were left due to restrictions of BTG.</p> <p>This observation combines 9:06 in record (LPU mode) and 3:02 in real-time for a total duration of 12:08 minutes.</p> <p>Data Returned</p>			
Design Detail			
<p>Instrument Mode = FM, Gain State = 4, Wavelength = 102, TLM = LPU,</p> <p>Multiple scans.</p> <p>Full Map (FM), Gain 4, Grating Start 0, LPU, C9EFM126B, C9EFM126B</p>			
Galileo Activity Plan Form		06/09/97 10:29:40	rev 6/95



165ME:TT= 0 TMC= 1 C= 2.50 XC= 0.00 BS=0/7298 TC= 3
 A= 546 pD= 0 SR=17.450 RA50=271.53 DEC50=-25.24 cone=131.22 clock=95.68
 117ME:#SB= 1 OR= 0.030 RR=12.000 BM=F RC= 1 BS=0/7298
 1:#s= 1 Cs= -3.50 XCs= 0.00 Cr= 0.00 XCr= 0.00 sD= 364 rD= 2

C9ENRTECLI01

DESIGN G3.1 jdods: 6/11/1997 13:33:13

FILE:P.C9ENRTECLI01

TARGET BODY : EUROPA

MINI:m.C9ENRTECLI01

S/C EPH:/DATA/NAVIO/T-970513-tour.NS

PERIAPSIS:

THINNING:NIM 1

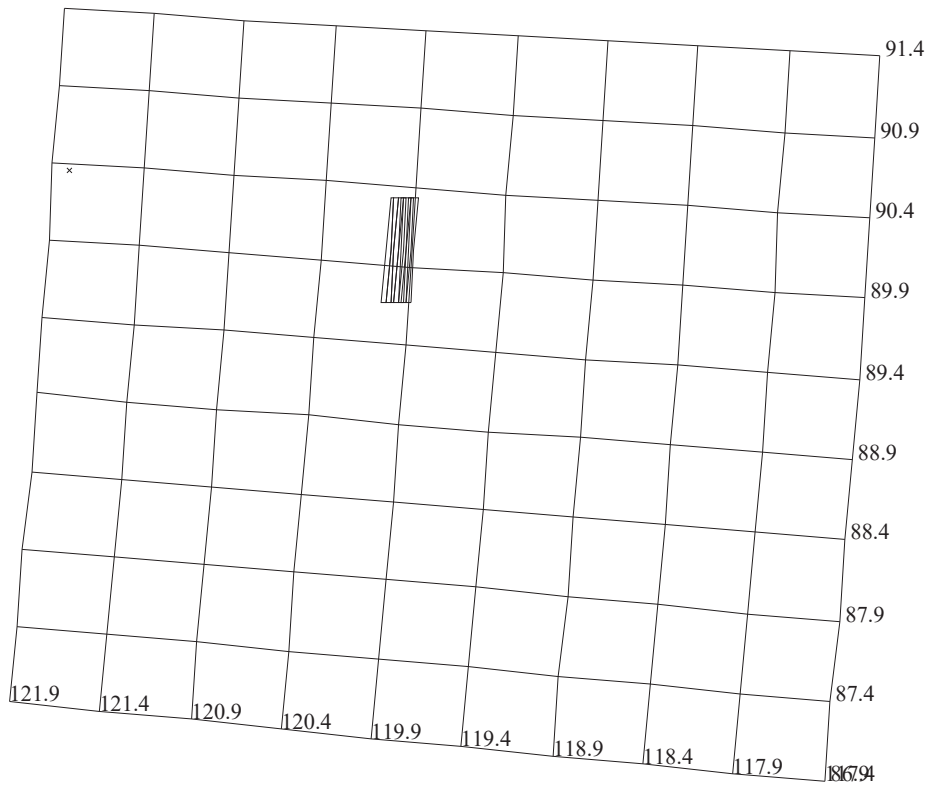
START:EEE 97-178/10:10:22.800 -CDS 1069:00:0

BODY PLOT TIME:TARGET-TIME D= 0 S= 0.500

OBSERVATION:C9ENRTECLI01

DESCRIP:NIMS_Europa_Real_Time_Obs

NIMS Europa Real-Time Eclipse Obs		ACTIVITY ID:	C9ENRTECLI01-		
		START TIME:	97-177/16:06:28.134		
Activity ID: Orbit C9 Target E Inst N OAPEL RTECLI SeqNo 01 -					
Title	NIMS Europa Real-Time Eclipse Obs		Instrument		NIMS
Requestor	NIMS-SWG/A. OCAMPO		Team	NIMS Working Group	SWG
Time System	CDS	Load ID	Calendar Date	06/26/97	Week 26
Start	EEE-CDS	00001072:00:0	97-177/16:06:28.134	EEE-000/18:03:54.666	
End	EEE-CDS	00001067:00:0	97-177/16:11:31.467	EEE-000/17:58:51.333	
Duration		00000005:00:0	000/00:05:03.333	000/00:05:03.333	
Top Label	C9ENRTECLI01-				
Bottom Label					
Plot Key	NIMS	Type	SCI		
CDS Bytes	150	Report Options	BOTH	Scan Platform	Yes
CDS Source	OAP	Spin State	DUAL	DMS	No
Observation Objective					
This observation is a continuation in real-time of C9ENCLIPSE01 to determine cooling curve for Europa.					
Data Returned					
Design Detail					
Mode = FM (204 wavelengths)					
Telemetry Mode = Real-time					
Gain State = 4.					
Mirror Blocked (1B,1B) (11011,11011)					
Full Map (FM), Gain 4, Grating Start 0, R/T, RT204					
Galileo Activity Plan Form			06/09/97	10:29:40	rev 6/95



C9HNDARK__02

TARGET G3.1 jdods: 6/ 3/1997 15: 7: 4

FILE:P.C9HNDARK__02

CENTRAL BODY:JUPITER

MINI:m.target

S/C EPH:/DATA/NAVIO/T-970513-tour.NS

PERIAPSIS:

START:GEE 97-177/17:20:16.866 -CDS 39:00:0

OBSERVATION:C9HNDARK__02

165DK:TT= 0 TMC= 1 C= 0.00 XC= 0.00 BS= 0/2940 TC= 2(120 90)
 A= 728 pD= 0 SR=17.450 RA50=259.01 DEC50=-30.17 cone=120.00 clock= 90.00
 117DK:#SB= 1 OR= 0.030 RR=12.000 BM=F RC= 1 BS= 0/2940
 1:#s= 1 Cs= -1.70 XCs= 0.00 Cr= 0.00 XCr= 0.00 sD= 182 rD= 2

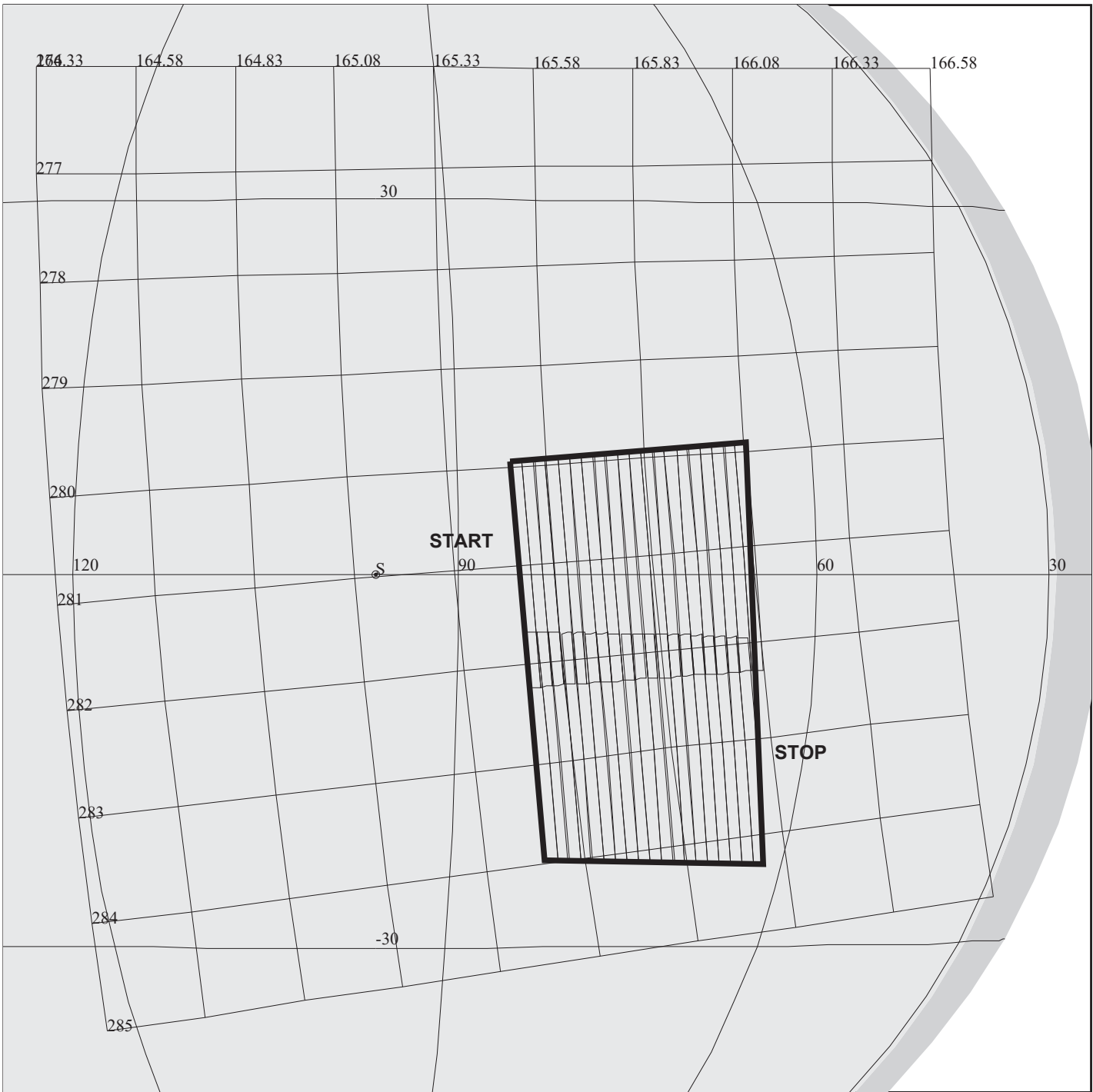
THINNING:NIM 1

BODY PLOT TIME:TARGET-TIME D= 0 S= 1.000

DESCRIP:NIMS_DARK_OBSERVATION

NIMS Dark Observation		ACTIVITY ID: C9HNDARK_02-	
		START TIME: 97-177/16:35:47.533	
Activity ID: Orbit C9 Target H Inst N OAPEL DARK__ SeqNo 02 -			
Title	NIMS Dark Observation		Instrument
Requestor	NIMS-SWG/M. SEGURA		NIMS
	Team	NIMS	Working Group
			SWG
Time System	CDS	Load ID	Calendar Date 06/26/97 Week 26
Start	GEE-CDS 00000044:00:0	97-177/16:35:47.533	GEE-000/00:44:29.333
End	GEE-CDS 00000038:00:0	97-177/16:41:51.533	GEE-000/00:38:25.333
Duration	00000006:00:0	000/00:06:04.000	000/00:06:04.000
Top Label	C9HNDARK__02-		
Bottom Label			
Plot Key	NIMS	Type	SCI
CDS Bytes	150	Report Options	BOTH
CDS Source	OAP	Spin State	DUAL
		Scan Platform	Yes
		DMS	Yes
Observation Objective			
Collect Dark Values for calibration purposes.			
Data Returned			
Design Detail			
Slew to dark space and record 1 RIM of dark values.			
Long Map			
Gain State 2			
Long Map (LM), Gain 2, Grating Start 0, LPU, C9DRK252, C9DRK252			
Galileo Activity Plan Form		06/09/97 10:29:41	rev 6/95

Dark and Light transition	ACTIVITY ID: C9GNDRKLIT01-	START TIME: 97-177/16:47:55.533
Activity ID: Orbit C9 Target G Inst N OAPEL DRKLIT SeqNo 01 -		
Title	Dark and Light transition	Instrument NIMS
Requestor	NIMS-SWG/J. HUI	Team NIMS Working Group SWG
Time System	CDS	Load ID
		Calendar Date 06/26/97 Week 26
Start	GEE-CDS 00000032:00:0	97-177/16:47:55.533
End	GEE+CDS 00000002:00:0	97-177/17:22:18.199
Duration	00000034:00:0	000/00:34:22.666
Top Label	C9GNDRKLIT01-	
Bottom Label	NIMS Ganymede	
Plot Key	NIMS	Type SCI
CDS Bytes	150	Report Options BOTH
CDS Source	OAP	Spin State DUAL
		Scan Platform DMS
		Yes
		Yes
Observation Objective		
To study dark and light material and its sharp transition from one type to the other near Galileo Regio. Dark endmembers of the leading hemisphere will also be studied.		
Data Returned		
Design Detail		
Target to lat = +20 degrees and long = 110 degrees and slew in decreasing longitude for a CSMOS duration of 22 RIMS. Scan platform slew rate is 0.03mrad/sec, to achieve Nyquist sampling rate.		
NIMS mode <LM>, Chopper <Ref>, Grating Offset <4>, Record Format <LPU>, Spatial resolution is <40km>, Incident angle <26 to 36 deg.>,	Gain State <3>, Grating Start <0>, # wavelengths Record <204>, Playback Wavelengths <204>. Phase <16 deg.>, Emission angle <27 deg.>.	
Long Map (LM), Gain 3, Grating Start 0, LPU, C9GLM243K, C9GLM228K		
Galileo Activity Plan Form	06/09/97 10:29:41	rev 6/95



165DN:TT= 0 TMC=1 C= 0.00 XC= 0.00 BS= 0/1312 TC= 1(0.0 85.0)
 A= 728 pD= 2034 SR=17.450 RA50=336.57 DEC50=-10.08 cone=165.50 clock=281.09
 117DN:#SB= 1 OR= 0.030 RR= 6.000 BM=F RC= 1 BS= 0/1312
 1:#s= 2 Cs= 10.00 XCs= 0.00 Cr= -10.00 XCr= 7.50 sD= 1006 rD= 26

C9GNBRILED01

TARGET G3.1 jdods: 6/ 3/1997 15: 7: 4

FILE:P.C9GNBRILED01

TARGET BODY : GANYMEDE

MINI:m.target

S/C EPH:/DATA/NAVIO/T-970513-tour.NS

PERIAPSIS:

START:GEE 97-177/17:20:16.866 +CDS 07:00:0

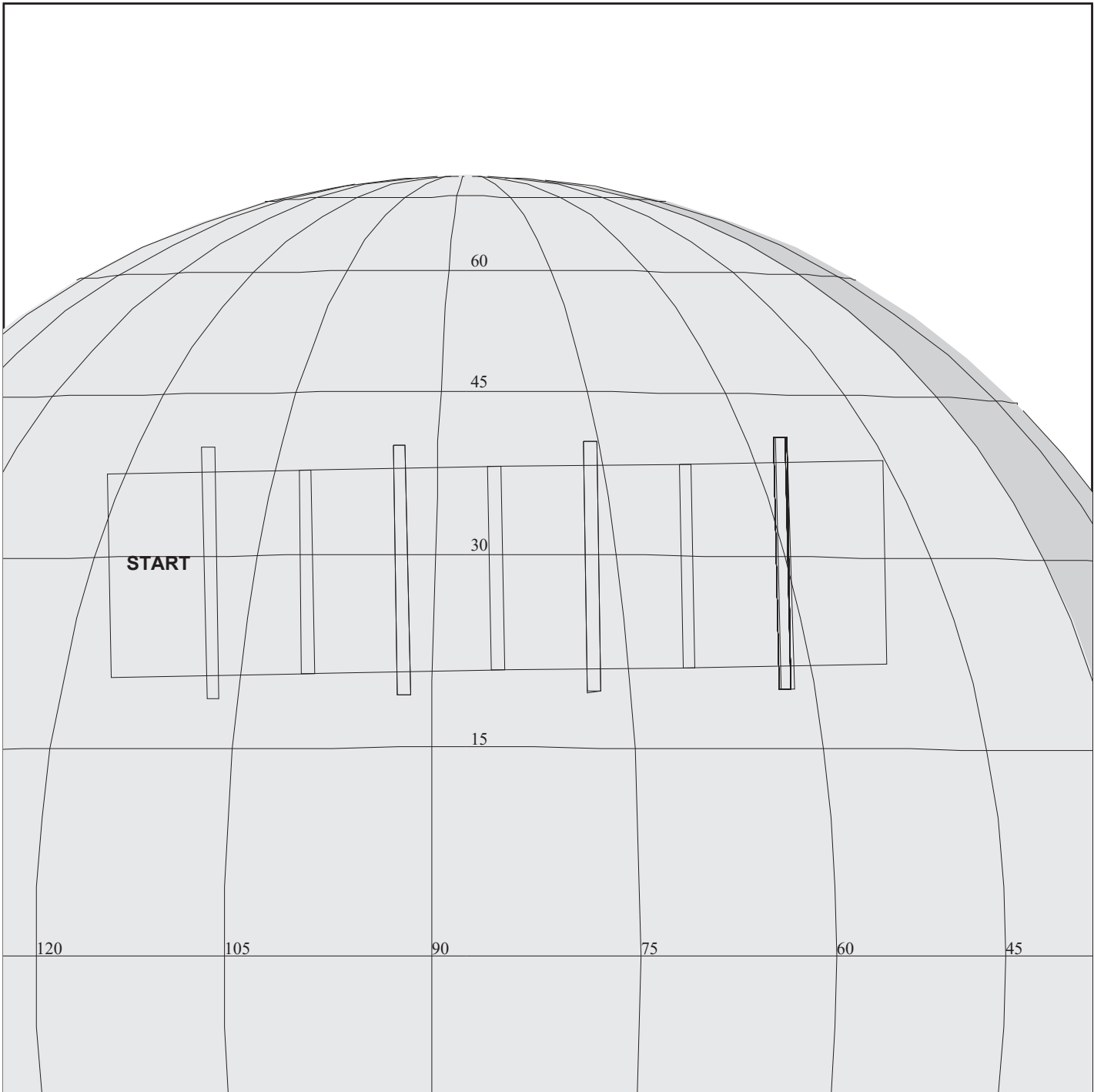
OBSERVATION:C9GNBRILED01

THINNING:NIM 2

BODY PLOT TIME:TARGET-TIME D= 2034 S= 1.400

DESCRIP:Bright endmember lead hem.

Bright endmember lead hemisphere		ACTIVITY ID:	C9GNBRILED01-		
		START TIME:	97-177/17:22:18.199		
Activity ID: Orbit C9 Target G Inst N OAPEL BRILED SeqNo 01 -					
Title	Bright endmember lead hemisphere		Instrument		NIMS
Requestor	NIMS-SWG/J. HUI		Team	NIMS Working Group	SWG
Time System	CDS	Load ID	Calendar Date	06/26/97	Week 26
Start	GEE+CDS	00000002:00:0	97-177/17:22:18.199	GEE+000/00:02:01.333	
End	GEE+CDS	00000019:00:0	97-177/17:39:29.532	GEE+000/00:19:12.666	
Duration		00000017:00:0	000/00:17:11.333	000/00:17:11.333	
Top Label	C9GNBRILED01-				
Bottom Label	NIMS Ganymede				
Plot Key	NIMS	Type	SCI		
CDS Bytes	150	Report Options	BOTH	Scan Platform	Yes
CDS Source	OAP	Spin State	DUAL	DMS	Yes
Observation Objective					
<p>To study BRIGHT endmember in the leading hemisphere. Endmembers are required for unmixing of global maps. Highest spectra resolution are needed to identify narrow mineralogic features or those associated with ices other than water.</p>					
Data Returned					
Design Detail					
<p>One continuous slew over the area around lat=0 to -13 and lon=84 to 65 deg. Sc platform slew rate is 0.03mrad/sec, to achieve Nyquist sampling rate. Spatial</p>					
NIMS mode <LM>, Chopper <Ref>, Grating Offset <4>, Record Format <LPU>, Resolution is <40km>, Incident angle <32 to 53 deg.>,		Gain State <3>, Grating Start <0>, # wavelengths Record <204>, Playback Wavelengths <204>. Phase <24 deg.>, Emission angle <10 to 30 deg.>.			
Long Map (LM), Gain 3, Grating Start 0, LPU, C9GLM243K, C9GLM228K					
Galileo Activity Plan Form			06/09/97	10:29:41	rev 6/95



165IQ:TT= 0 TMC= 1 C= -13.85 XC= 0.00 BS= 0/6408 TC= 1(29 80)
 A= 728 pD= 364 SR=17.450 RA50=346.13 DEC50= -4.85 cone=154.76 clock=276.93
 118IQ:#SB= 1 Cs= 7.62 XCs= 0.00 TPP= 26 SR= 3.000 RR= 3.000 BM=F RC= 1 BS= 3/6408
 1:#s= 4 #p= 1 Cr= 0.00 XCr= 0.00

C9GNRTSULC01

TARGET G3.1 jdods: 6/ 3/1997 15: 7: 4

FILE:P.C9GSSULCUS01

TARGET BODY : GANYMEDE

MINI:m.target

S/C EPH:/DATA/NAVIO/T-970513-tour.NS

PERIAPSIS:

START:GEE 97-177/17:20:16.866 +CDS 35:00:0

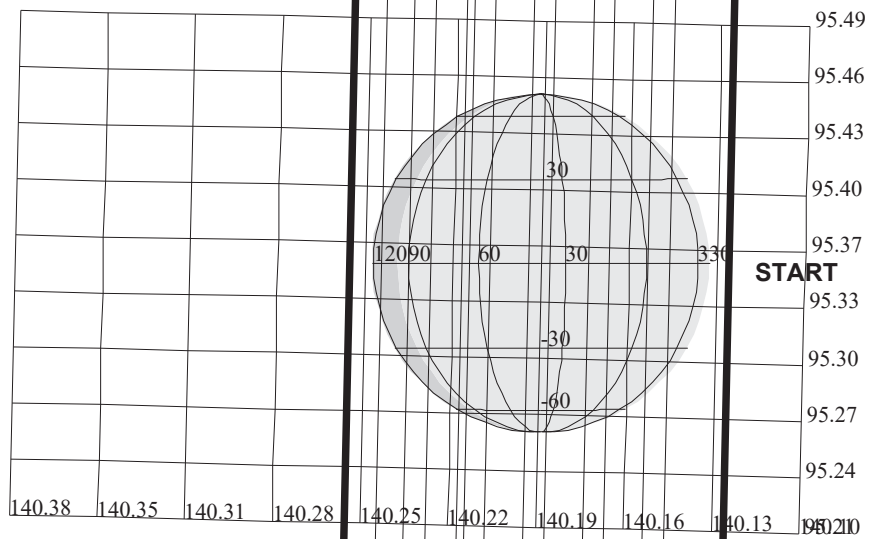
OBSERVATION:C9GSSULCUS01

THINNING:

BODY PLOT TIME:TARGET-TIME D= 364 S= 1.500

DESCRIP:PERRINE/GALILEO REGIO MOSAIC

Perrine/Galileo Regio Regional		ACTIVITY ID:	C9GNRTSULC01+		
		START TIME:	97-177/17:55:00.199		
Activity ID: Orbit C9 Target G Inst N OAPEL RTSULC SeqNo 01 +					
Title Requestor	Perrine/Galileo Regio Regional NIMS-SWG/J. HUI		Instrument Team	NIMS Working Group NIMS SWG	
Time System	CDS	Load ID	Calendar Date	06/26/97	Week 26
Start	GEE+CDS 00000034:31:0		97-177/17:55:00.199	GEE+000/00:34:43.333	
End	GEE+CDS 00000036:29:0		97-177/17:57:00.199	GEE+000/00:36:43.333	
Duration	00000001:89:0		000/00:02:00.000	000/00:02:00.000	
Top Label	C9GNRTSULC01+				
Bottom Label					
Plot Key	NIMS	Type	SCI		
CDS Bytes	40	Report Options	BOTH		
CDS Source	OAP	Spin State	DUAL	Scan Platform	No
			DMS		No
Observation Objective					
Joint science observation with SSI to study dark terrain of Perrine and Galileo Regios. Features are smooth dark materials and palimpsests.					
Data Returned					
Design Detail					
Ride along with SSI (C9GSSULCUS01) Real-time observation. Select Real-time at target time. Real-time duration is 3 RIMS (3.26% X 3 = 9.78% of MUB). NIMS mode = LM. Wavelength = 408. Use mirror block (center mirror). Gain state = 3.					
Mirror Blocked (1B,1B) (11011,11011)					
Long Map (LM), Gain 3, Grating Start 0, R/T, RT408					
Galileo Activity Plan Form			06/09/97	10:29:41	rev 6/95



C9ENCLIPSE03

DESIGN G3.1 jdods: 6/11/1997 13:32:34

FILE:P.C9ENCLIPSE03

TARGET BODY : EUROPA

MINI:m.C9ENCLIPSE03

S/C EPH:/DATA/NAVIO/T-970513-tour.NS

PERIAPSIS:

START:EEE 97-178/10:10:22.800 -CDS 910:00:0

OBSERVATION:C9ENCLIPSE03

165DO:TT= 0 TMC= 1 C= -1.00 XC= 0.00 BS= 0/6236 TC= 3
 A= 728 pD= 0 SR=17.450 RA50=281.35 DEC50=-24.70 cone=140.13 clock= 95.36
 117DO:#SB= 1 OR= 0.060 RR= 1.400 BM=F RC= 1 BS= 0/6236
 1:#s= 5 Cs= 3.00 XCs= 0.00 Ci= -2.00 XC= 0.00 sD= 158 rD= 16

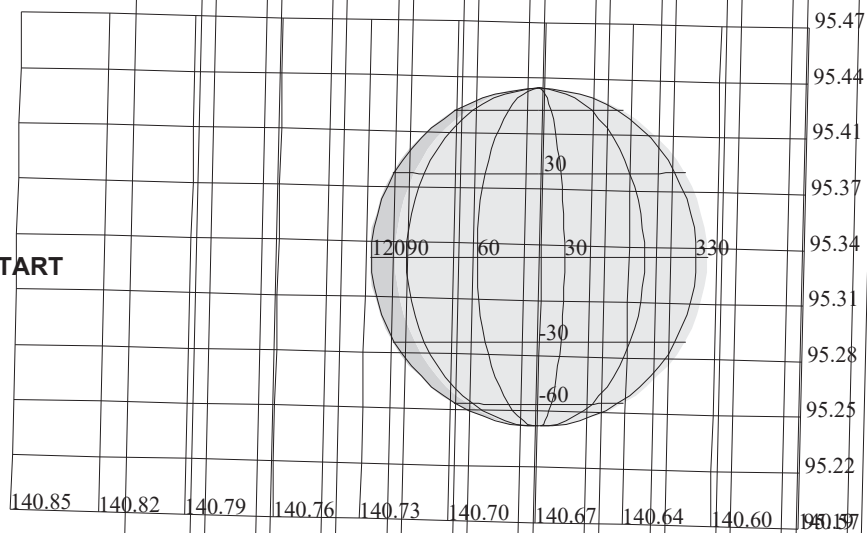
THINNING:NIM 2

BODY PLOT TIME:TARGET-TIME D= 0 S= 0.500

DESCRIP:Europa Eclipse part 3

Europa Eclipse part 3		ACTIVITY ID: C9ENCLIPSE03-	
		START TIME: 97-177/18:45:12.800	
Activity ID: Orbit C9 Target E Inst N OAPEL CLIPSE SeqNo 03 -			
Title	Europa Eclipse part 3	Instrument	
Requestor	NIMS-SWG/A. Ocampo	Team	NIMS Working Group
			NIMS SWG
Time System	CDS	Load ID	Calendar Date 06/26/97 Week 26
Start	EEE-CDS 00000915:00:0	97-177/18:45:12.800	EEE-000/15:25:10.000
End	EEE-CDS 00000905:00:0	97-177/18:55:19.467	EEE-000/15:15:03.333
Duration	00000010:00:0	000/00:10:06.667	000/00:10:06.667
Top Label	C9ENCLIPSE03-		
Bottom Label			
Plot Key	NIMS	Type	SCI
CDS Bytes	150	Report Options	BOTH
CDS Source	OAP	Spin State	DUAL
		Scan Platform	Yes
		DMS	Yes
Observation Objective			
<p>This is the third of three Europa eclipse observations that will serve to determine a warming curve to help assess the presence of solid state green house. This observation has been coordinated with PPR to obtain the cooler temperature.</p> <p>Update: PPR will not participate in this observation. Europa real-time observation will be linked to this observation to enhance signal-to-noise-ratio (SNR).</p> <p>This observation combines 9:06 in record (LPU mode) and 3:02 in real-time fo duration of 12:08 minutes.</p> <p>Data Returned</p>			
Design Detail			
<p>Instrument Mode = FM, Wavelength = 102, Gain State = 4, TLM = LPU one scan, repeated four times.</p> <p>Full Map (FM), Gain 4, Grating Start 0, LPU, C9EFM126B, C9EFM126B</p>			
Galileo Activity Plan Form		06/09/97 10:29:41	rev 6/95

START



C9ENRTECLI03

DESIGN G3.1 jdods: 6/11/1997 13:33:45

FILE:P.C9ENRTECLI03

TARGET BODY : EUROPA

MINI:m.C9ENRTECLI03

S/C EPH:/DATA/NAVIO/T-970513-tour.NS

PERIAPSIS:

START:EEE 97-178/10:10:22.800 -CDS 902:00:0

OBSERVATION:C9ENRTECLI03

165EY:TT= 0 TMC= 1 C= 2.50 XC= 0.00 BS= 0/7692 TC= 3
 A= 546 pD= 0 \$R=17.450 RA50=282.09 DEC50=-24.63 cone=140.81 clock= 95.34
 117EY:#SB= 1 OR= 0.030 RR=12.000 BM=F RC= 1 BS= 0/7692
 1:#s= 1 Cs= -3.50 XCs= 0.00 Cr= 0.00 XCr= 0.00 sD= 364 rD= 2

THINNING:NIM 1

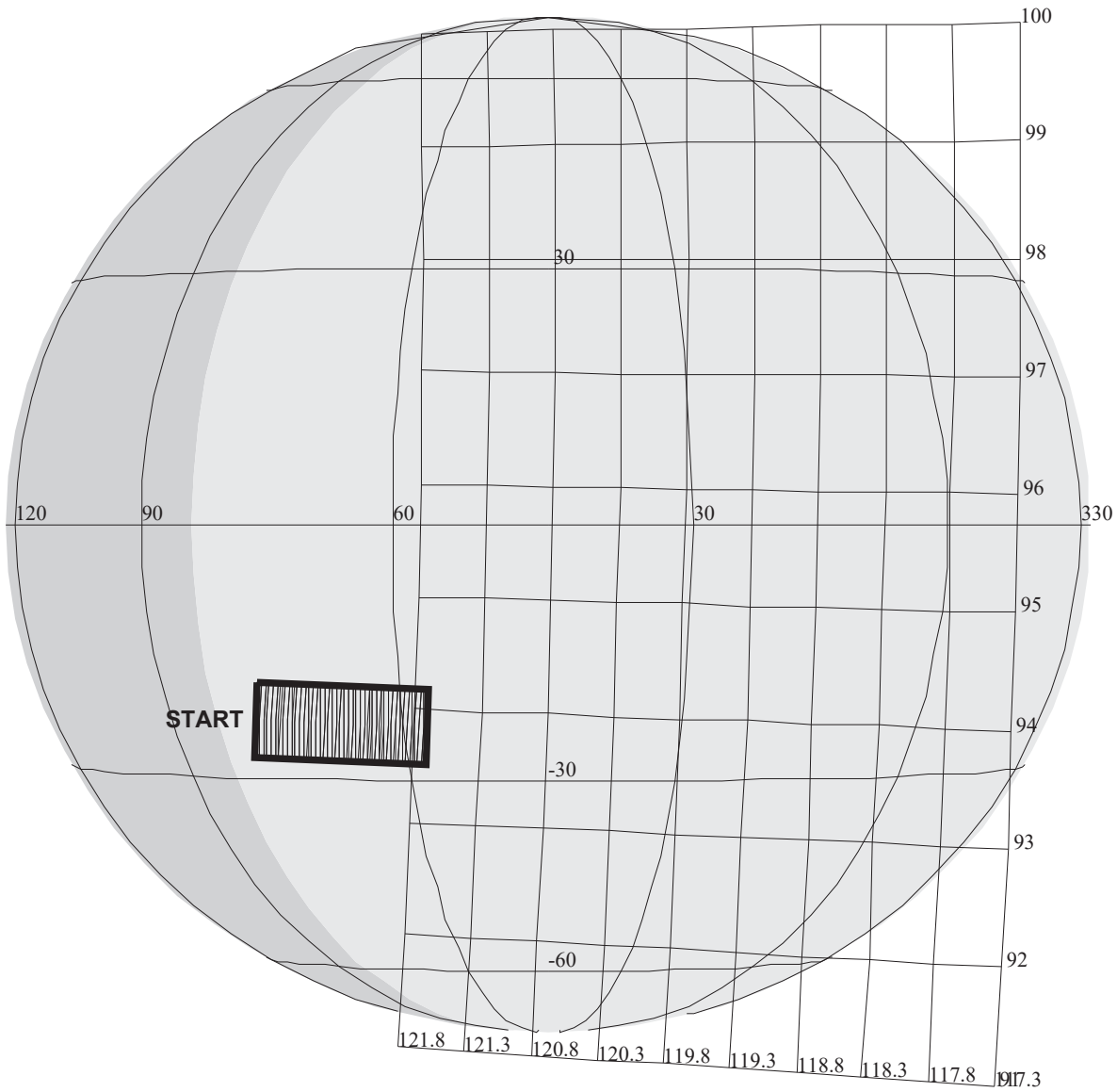
BODY PLOT TIME:TARGET-TIME D= 0 S= 0.500

DESCRIP:NIMS_Europa_Real_Time_Obs

NIMS Europa Real-Time Eclipse Obs		ACTIVITY ID:	C9ENRTECLI03-		
		START TIME:	97-177/18:55:19.467		
Activity ID: Orbit C9 Target E Inst N OAPEL RTECLI SeqNo 03 -					
Title	NIMS Europa Real-Time Eclipse Obs		Instrument		NIMS
Requestor	NIMS-SWG/A. OCAMPO		Team	NIMS Working Group	SWG
Time System	CDS	Load ID	Calendar Date	06/26/97	Week 26
Start	EEE-CDS	00000905:00:0	97-177/18:55:19.467	EEE-000/15:15:03.333	
End	EEE-CDS	00000899:00:0	97-177/19:01:23.467	EEE-000/15:08:59.333	
Duration		00000006:00:0	000/00:06:04.000	000/00:06:04.000	
Top Label	C9ENRTECLI03-				
Bottom Label					
Plot Key	NIMS	Type	SCI		
CDS Bytes	150	Report Options	BOTH	Scan Platform	Yes
CDS Source	OAP	Spin State	DUAL	DMS	No
Observation Objective					
This observation is a continuation in real-time of C9ENCLIPSE03 to determine warming curve for Europa.					
Data Returned					
Design Detail					
Mode = FM (204 wavelengths)					
Telemetry Mode = Real-time					
Gain State = 4.					
Mirror Blocked (1B,1B) (11011,11011)					
Full Map (FM), Gain 3, Grating Start 0, R/T, RT204					
Galileo Activity Plan Form			06/09/97	10:29:41	rev 6/95

This page BLANK

NIMS Real-Time Software Reload		ACTIVITY ID: C9NNRELOAD02-	
		START TIME: 97-177/20:07:06.800	
Activity ID: Orbit C9 Target N Inst N OAPEL RELOAD SeqNo 02 -			
Title	NIMS Real-Time Software Reload		Instrument
Requestor	NIMS-AWG/K. BAINES	Team	NIMS Working Group
			NIMS AWG
Time System	CDS	Load ID	Calendar Date 06/26/97 Week 26
Start	JEE-CDS 00000940:00:0	97-177/20:07:06.800	JEE-000/15:50:26.666
End	JEE-CDS 00000930:00:0	97-177/20:17:13.466	JEE-000/15:40:20.000
Duration	00000010:00:0	000/00:10:06.666	000/00:10:06.666
Top Label	C9NNRELOAD02-		
Bottom Label			
Plot Key	NIMS	Type	SCI
CDS Bytes	100	Report Options	BOTH
CDS Source	OAP	Spin State	DUAL
		Scan Platform	No
		DMS	No
Observation Objective			
<p>Reload NIMS software to prevent loss of science observations. These loads are placed strtegeticaly to protect high priority science.</p> <p>Memory reload from CDS to NIMS and restart. Diagnostic Checksum, Processor Halt, Memory Reload from CDS, Instrument Restart, and Operational Mode Set.</p>			
Design Detail			
<p>Use a standard set of commands to halt the instrument, load the software and reinitialize the instrument.</p> <p>6CKSUM - Check Sum NIMS RAM 1000 - 14BC 37PL - Halt NIMS Processor (37PL) 37MRL - Memory Reallocate 6MCPY - Copy flight software from CDS to NIMS 1000 6MCPY - Copy flight software from CDS to NIMS 1598 37IRT - Instrument Reset 37MN - Memory Normal 37IST - Chopper Reference.</p>			
Galileo Activity Plan Form		06/09/97 10:29:41 rev 6/95	



C9JNGRS05101

165DP:TT= 0 TMC= 1 C= 9.00 XC= 0.00 BS= 0/3162 TC= 1(-23 69)
 A= 728 pD= 0 SR=17.450 RA50=262.44 DEC50=-26.89 cone=123.02 clock= 93.85
 117DP:#SB= 1 OR= 0.100 RR=12.000 BM=F RC= 1 BS= 0/3162
 1:#s= 1 Cs= -21.70 XCs= 0.00 Cr= 0.00 XCr= 0.00 sD= 600 rD= 2

TARGET G3.1 jdods: 6/ 3/1997 15: 7: 4

FILE:P.C9JNGRS05101

CENTRAL BODY:JUPITER

MINI:m.target

S/C EPH:/DATA/NAVIO/T-970513-tour.NS

PERIAPSIS:

THINNING:NIM 2

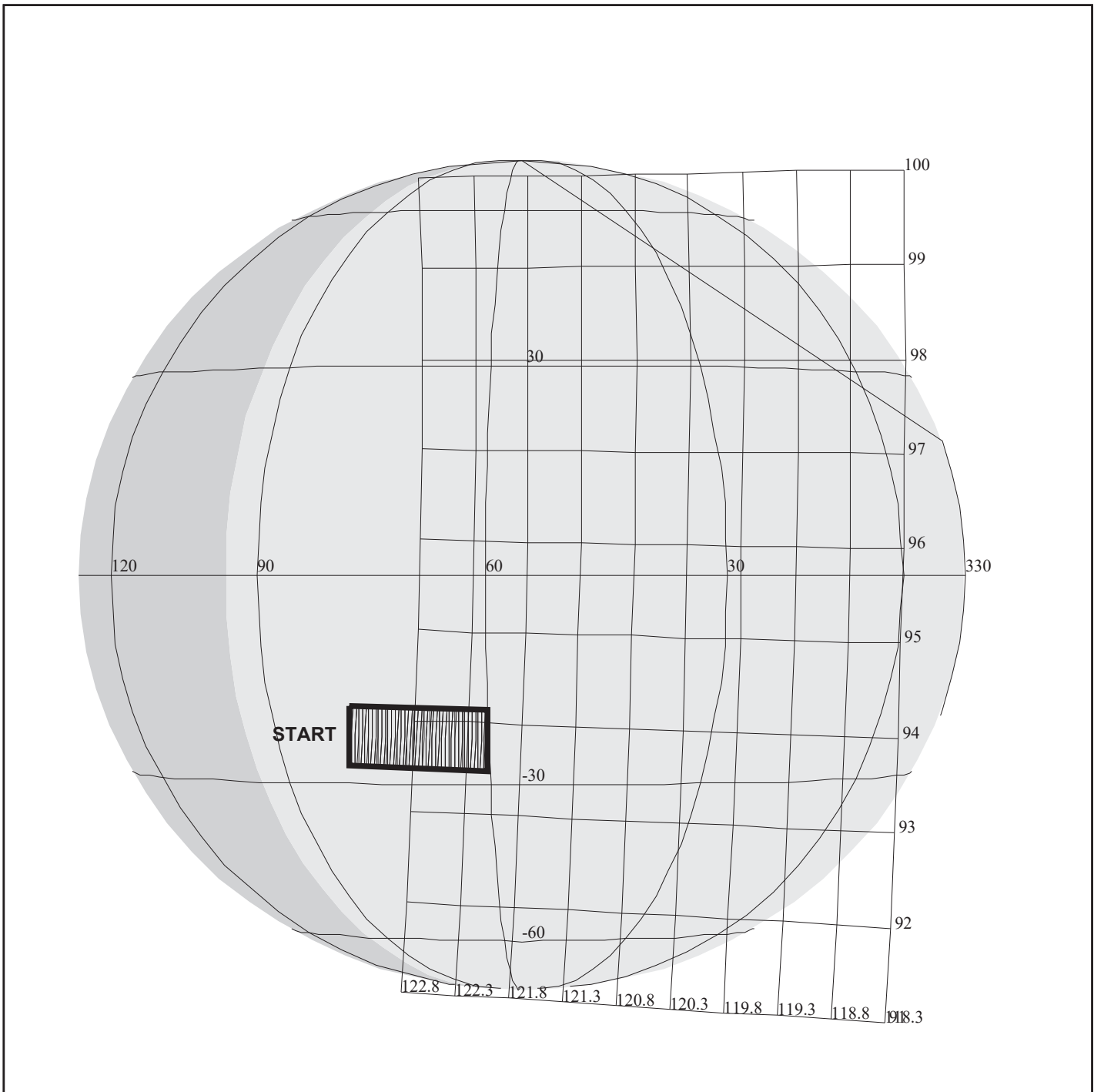
START:JEE 97-178/11:57:33.466 -CDS 923:00:0

BODY PLOT TIME:TARGET-TIME D= 0 S= 0.850

OBSERVATION:C9JNGRS05101

DESCRIP:JUP_GREAT_RED_SPOT_51_DEG_01

Jupiter Great Red Spot 51 degrees prt 1		ACTIVITY ID:	C9JNGRS05101-		
		START TIME:	97-177/20:19:14.800		
Activity ID: Orbit C9 Target J Inst N OAPEL GRS051 SeqNo 01 -					
Title	Jupiter Great Red Spot 51 degrees prt 1 Instrument				NIMS
Requestor	NIMS-AWG/K. BAINES		Team	NIMS Working Group	AWG
Time System	CDS	Load ID	Calendar Date	06/26/97	Week 26
Start	JEE-CDS	00000928:00:0	97-177/20:19:14.800	JEE-000/15:38:18.666	
End	JEE-CDS	00000919:00:0	97-177/20:28:20.800	JEE-000/15:29:12.666	
Duration		00000009:00:0	000/00:09:06.000	000/00:09:06.000	
Top Label	C9JNGRS05101-				
Bottom Label					
Plot Key	NIMS	Type	SCI		
CDS Bytes	150	Report Options	BOTH		
CDS Source	OAP	Spin State	DUAL	Scan Platform	Yes
			DMS		Yes
Observation Objective					
<p>One of 14 OAPELS constituting the Great Red Spot feature tracks. This is the first of three observations obtained on a rotation with phase angle approximately 51 degrees. Jupiter imaged in 25 colors, using NIMS downlink wavelength table JFT25A. This observation acquired with the Great Red Spot near the morning terminator, assuming feature coordinates 23 degrees south latitude (planetographic) and 69 degrees west longitude (System III)</p>					
Data Returned					
Design Detail					
<p>Short map, Nyquist-sampled observation of 2 X 1 (20 X 10 mrad) area centered on the heart of the GRS near 69 degrees west longitude, 23 degrees south planetographic latitude. Spacecraft distance 0.96 million KM, NIMS IFOV (NIMSel) = 480 KM; 2 X 1 mosaic covers 19200 X 9600 KM. About 200 seconds of scanning, accumulating 0.0511 MBTG in 4 colors, and using 0.00672 tracks. Four rims reserved for targetting.</p>					
<p>Note (5/6/97): GRS center longitude now predicted to be at 62 degrees west longitude. This OAPEL images 57-77 degrees longitude, i.e., 5 degrees to the East and 15 degrees to the West of the GRS center.</p>					
Short Map (SM), Gain 2, Grating Start 1, LPU, C9JFT68C, C9JFT25A					
Galileo Activity Plan Form			06/09/97	10:29:41	rev 6/95



C9JNGRS05102

165DQ:TT= 0 TMC=1 C= 11.50 XC= 0.00 BS= 0/6802 TC= 1(-23 69)
 A= 728 pD= 0 SR=17.450 RA50=262.83 DEC50=-26.92 cone=123.37 clock= 93.81
 117DQ:#SB= 1 OR= 0.100 RR=12.000 BM=F RC= 1 BS= 0/6802
 1:#s= 1 Cs= -21.70 XCs= 0.00 Cr= 0.00 XCr= 0.00 sD= 600 rD= 2

TARGET G3.1 jdods: 6/ 3/1997 15: 7: 4

FILE:P.C9JNGRS05102

CENTRAL BODY:JUPITER

MINI:m.target

S/C EPH:/DATA/NAVIO/T-970513-tour.NS

PERIAPSIS:

START:JEE 97-178/11:57:33.466 -CDS 903:00:0

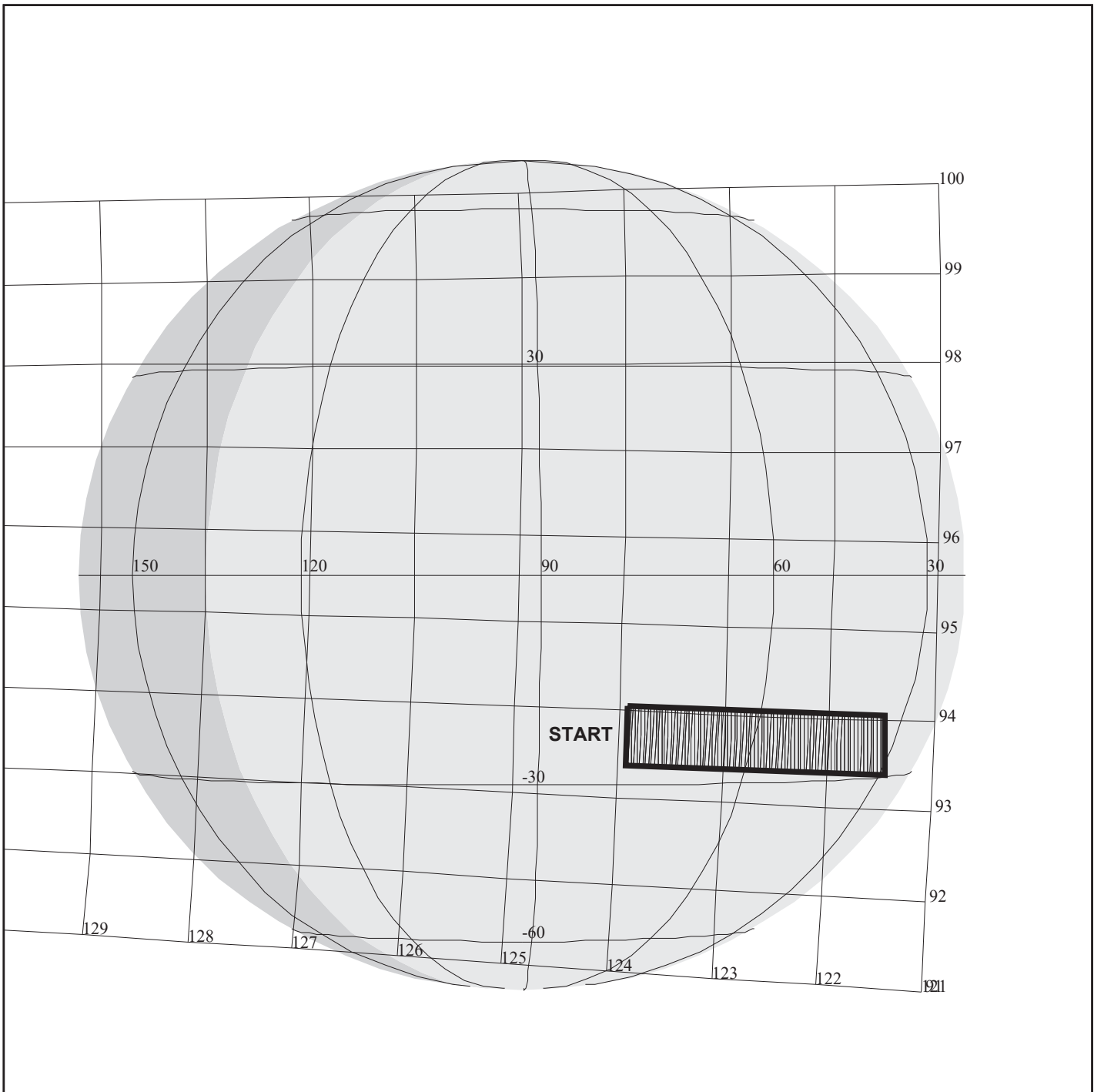
OBSERVATION:C9JNGRS05102

THINNING:NIM 2

BODY PLOT TIME:TARGET-TIME D= 0 S= 0.850

DESCRIP:JUP_GREAT_RED_SPOT_51_DEG_02

Jupiter Great Red Spot 51 degrees prt 2		ACTIVITY ID:	C9JNGRS05102-		
		START TIME:	97-177/20:39:28.133		
Activity ID: Orbit C9 Target J Inst N OAPEL GRS051 SeqNo 02 -					
Title	Jupiter Great Red Spot 51 degrees prt 2 Instrument				NIMS
Requestor	NIMS-AWG/K. BAINES		Team	NIMS Working Group	AWG
Time System	CDS	Load ID	Calendar Date	06/26/97	Week 26
Start	JEE-CDS	00000908:00:0	97-177/20:39:28.133	JEE-000/15:18:05.333	
End	JEE-CDS	00000899:00:0	97-177/20:48:34.133	JEE-000/15:08:59.333	
Duration		00000009:00:0	000/00:09:06.000	000/00:09:06.000	
Top Label	C9JNGRS05102-				
Bottom Label					
Plot Key	NIMS	Type	SCI		
CDS Bytes	150	Report Options	BOTH	Scan Platform	Yes
CDS Source	OAP	Spin State	DUAL	DMS	Yes
Observation Objective					
<p>One of 14 OAPELS constituting the Great Red Spot feature tracks. This is the second of three observations obtained on a rotation with phase angle approximately 51 degrees. Jupiter imaged in 25 colors, using NIMS downlink wavelength table JFT25A. This observation acquired with the Great Red Spot near 17 degrees relative longitude assuming feature coordinates 23 degrees south latitude (planetographic) and 69 degrees west longitude (System III)</p>					
Data Returned					
Design Detail					
<p>Short map, Nyquist-sampled observation of 2 X 1 (20 X 10 mrad) area centered on the heart of the GRS near 69 degrees west longitude, 23 degrees south planetographic latitude. Spacecraft distance 0.94 million KM, NIMS IFOV (NIMSel) = 470 KM; 2 X 1 mosaic covers 18800 X 9400 KM. About 200 seconds of scanning, accumulating 0.0511 MBTG in 4 colors, and using 0.00672 tracks. Four rims reserved for targetting.</p>					
<p>Note (5/6/97): GRS center longitude now predicted to be at 62 degrees west longitude. This OAPEL observes 60-78 degrees longitude, i.e., the Western portion of GRS.</p>					
Short Map (SM), Gain 2, Grating Start 1, LPU, C9JFT68C, C9JFT25A					
Galileo Activity Plan Form			06/09/97	10:29:41	rev 6/95



C9JNGRS05103

165DR:TT= 0 TMC=1 C= 11.50 XC= 0.00 BS= 0/8632 TC= 1(-23 69)
 A= 728 pD= 0 SR=17.450 RA50=263.46 DEC50=-26.99 cone=123.93 clock= 93.72
 117DR:#SB= 1 OR= 0.200 RR=12.000 BM=F RC= 1 BS= 0/8632
 1:#s= 1 Cs= -41.00 XCs= 0.00 Cr= 0.00 XCr= 0.00 sD= 600 rD= 2

TARGET G3.1 jdods: 6/ 3/1997 15: 7: 4

FILE:P.C9JNGRS05103

CENTRAL BODY:JUPITER

MINI:m.target

S/C EPH:/DATA/NAVIO/T-970513-tour.NS

PERIAPSIS:

START:JEE 97-178/11:57:33.466 -CDS 838:00:0

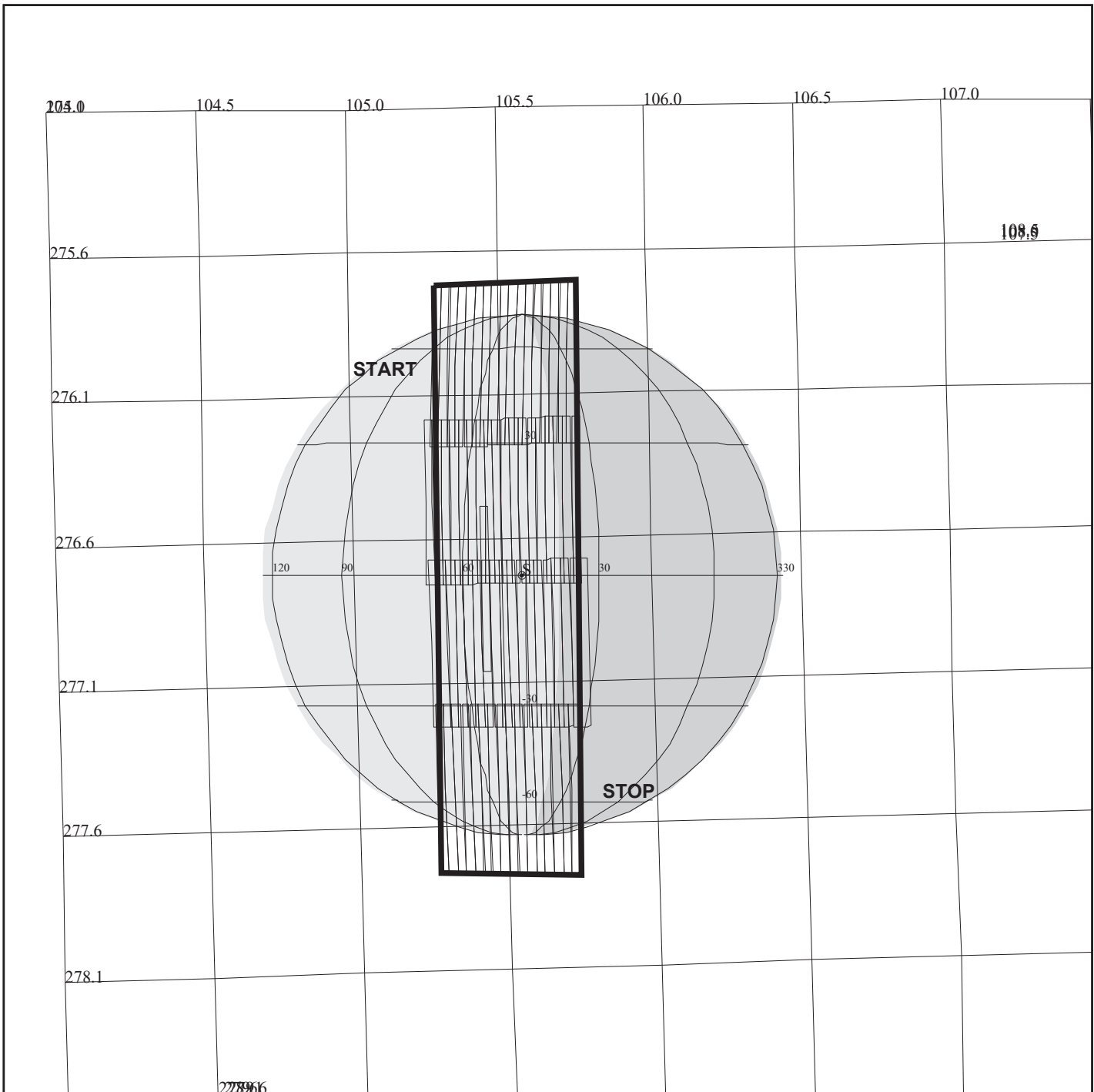
OBSERVATION:C9JNGRS05103

THINNING:NIM 1

BODY PLOT TIME:TARGET-TIME D= 0 S= 0.850

DESCRIP:JUP_GREAT_RED_SPOT_51_DEG_03

Jupiter Great Red Spot 51 degrees prt 3		ACTIVITY ID:	C9JNGRS05103-		
		START TIME:	97-177/21:45:11.466		
Activity ID: Orbit C9 Target J Inst N OAPEL GRS051 SeqNo 03 -					
Title	Jupiter Great Red Spot 51 degrees prt 3 Instrument				NIMS
Requestor	NIMS-AWG/K. BAINES		Team	NIMS Working Group	AWG
Time System	CDS	Load ID	Calendar Date	06/26/97	Week 26
Start	JEE-CDS	00000843:00:0	97-177/21:45:11.466	JEE-000/14:12:22.000	
End	JEE-CDS	00000834:00:0	97-177/21:54:17.466	JEE-000/14:03:16.000	
Duration		00000009:00:0	000/00:09:06.000	000/00:09:06.000	
Top Label	C9JNGRS05103-				
Bottom Label					
Plot Key	NIMS	Type	SCI		
CDS Bytes	150	Report Options	BOTH	Scan Platform	Yes
CDS Source	OAP	Spin State	DUAL	DMS	Yes
Observation Objective					
<p>One of 14 OAPELS constituting the Great Red Spot feature tracks. This is the third of three observations obtained on a rotation with phase angle approximately 51 degrees. Jupiter imaged in 25 colors, using NIMS downlink wavelength table JFT25A. This observation acquired with the Great Red Spot near minimum airmass longitude assuming feature coordinates 23 degrees south latitude (planetographic) and 69 degrees west longitude (System III)</p>					
Data Returned					
Design Detail					
<p>Short map, Nyquist-sampled observation of 2 X 1 (20 X 10 mrad) area centered on the heart of the GRS near 69 degrees west longitude, 23 degrees south planetographic latitude.</p> <p>Spacecraft distance 0.92 million KM, NIMS IFOV (NIMSel) = 460 KM; 2 X 1 mosaic covers 18400 X 9200 KM. About 200 seconds of scanning, accumulating 0.0511 MBTG in 4 colors, and using 0.00672 tracks. Four rims reserved for targetting.</p> <p>Note (5/6/97): GRS center longitude now predicted to be at 62 degrees west longitude. This OAPEL observes 58-78 degrees longitude, i.e., the Western half of GRS.</p> <p>NOTE 5/15/97: Scan rate increased to encompass 4 X 1 area, in order to acquire the eastern side of the GRS including some of the interaction between the colliding small white oval and GRS.</p>					
Short Map (SM), Gain 2, Grating Start 1, LPU, C9JFT68C, C9JFT25A					
Galileo Activity Plan Form			06/09/97	10:29:41	rev 6/95



2789616

C9NGLOBAL02

TARGET G3.1 jdods: 6/ 3/1997 15: 7: 4

FILE:P.C9NGLOBAL02

TARGET BODY : GANYMEDE

MINI:m.target

S/C EPH:/DATA/NAVIO/T-970513-tour.NS

PERIAPSIS:

START:GEE 97-177/17:20:16.866 +CDS 275:00:0

OBSERVATION:C9NGLOBAL02

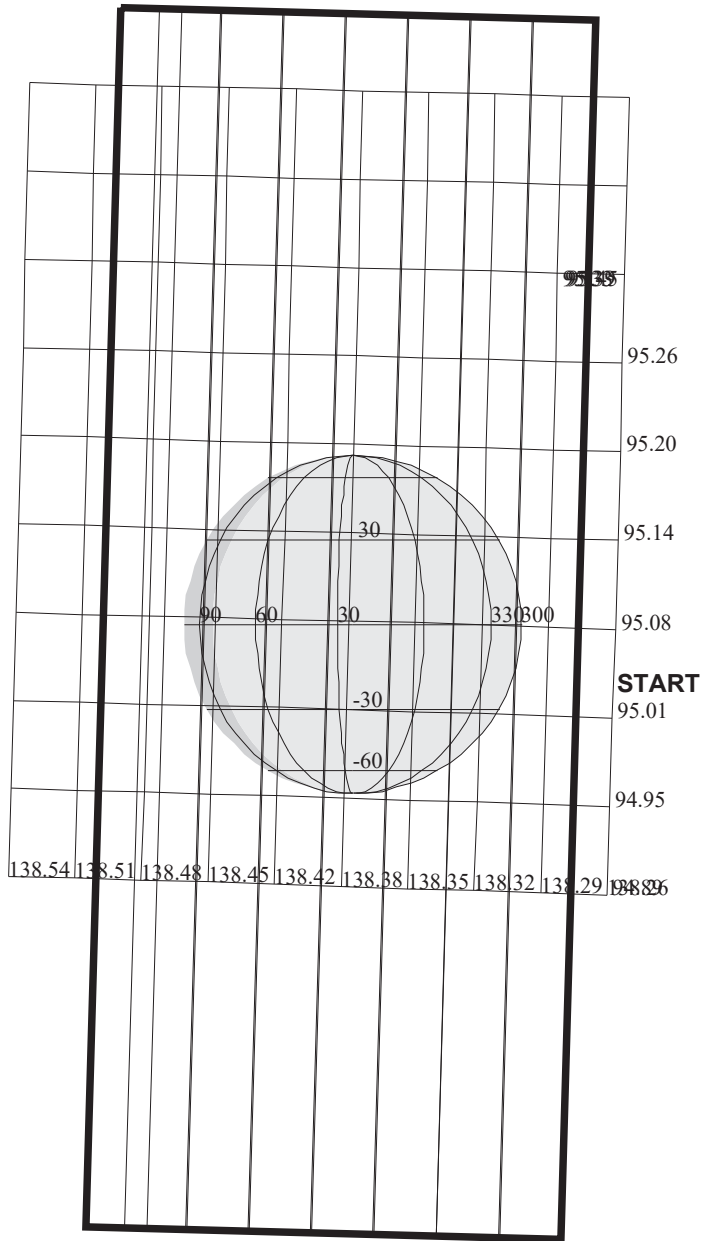
165DS:TT= 0 TMC= 1 C= -5.00 XC= -13.00 BS= 0/0088 TC= 3
 A= 728 pD= 3620 SR=17.450 RA50= 29.94 DEC50= 14.78 cone=107.12 clock=276.03
 117DS:#SB= 4 OR= 0.030 RR= 4.600 BM=F RC= 1 BS= 0/0088
 1:#s= 1 Cs= 8.50 XCs= 0.00 Cr= 0.00 XCr= 0.00 sD= 854 rD= 2
 2:#s= 1 Cs= 9.50 XCs= 0.00 Cr= -9.00 XCr= 8.50 sD= 956 rD= 16
 3:#s= 1 Cs= 9.50 XCs= 0.00 Cr= -9.50 XCr= 8.50 sD= 956 rD= 16
 4:#s= 1 Cs= 8.00 XCs= 0.00 Cr= -9.00 XCr= 8.50 sD= 806 rD= 16

THINNING:NIM 2

BODY PLOT TIME:END-TIME D= 3620 S= 0.500

DESCRIP:Ganyমেদে Global Map 02

Global Surface Map		ACTIVITY ID: C9GNGLOBAL02-	
		START TIME: 97-177/21:54:17.532	
Activity ID: Orbit C9 Target G Inst N OAPEL GLOBAL SeqNo 02 -			
Title	Global Surface Map	Instrument	NIMS
Requestor	NIMS-SWG/J. HUI	Team NIMS Working Group	SWG
Time System	CDS	Load ID	Calendar Date 06/26/97 Week 26
Start	GEE+CDS 00000271:00:0	97-177/21:54:17.532	GEE+000/04:34:00.666
End	GEE+CDS 00000296:00:0	97-177/22:19:34.199	GEE+000/04:59:17.333
Duration	00000025:00:0	000/00:25:16.667	000/00:25:16.667
Top Label	C9GNGLOBAL02-		
Bottom Label	NIMS Ganymede		
Plot Key	NIMS	Type	SCI
CDS Bytes	150	Report Options	BOTH
CDS Source	OAP	Spin State	DUAL
		Scan Platform	Yes
		DMS	Yes
Observation Objective			
<p>To obtain high spectral resolution map of the Ganymede's surface. This observation investigates the surface mineralogy and distribution of compositional units in a global context. The global map can be used to compare Ganymede to the other satellites to look for similarities and differences. The longitude coverage is 37 to 65 degrees.</p>			
Data Returned			
Design Detail			
<p>This is the 5th of 5 global observations to cover all longitudes. Continuous slew mosaic over lit surface in the longitude range 37 to 65 degrees. Scan platform slew rate is 0.03mrad/sec, to achieve Nyquist sampling rate. This observation consists of 4 swaths.</p>			
NIMS mode <LM>, Chopper <Ref>, Grating Offset <4>, Record Format <LPU>, Spatial resolution is <82km>, Incident angle <66 to 95 deg.>,		Gain State <3>, Grating Start <0>, # wavelengths Record <204>, Playback Wavelengths <204>. Phase <80 deg.>, Emission angle <15 to 85 deg.>.	
Long Map (LM), Gain 4, Grating Start 0, LPU, C9GLM243K, C9GLM228K			
Galileo Activity Plan Form		06/09/97 10:29:41	rev 6/95



C9INCOOLCV01

165DT:TT= 0 TMC= 1 C= -1.70 XC= 0.00 BS= 0/9188 TC= 3
 A= 728 pD= 1568 SR=17.450 RA50=279.35 DEC50=-25.10 cone=138.29 clock= 95.07
 117DT:#SB= 1 OR= 0.100 RR= 1.800 BM=F RC= 1 BS= 0/9188
 1:#s= 8 Cs= 3.50 XCs= 0.00 Cr= -3.50 XCr= 0.00 sD= 182 rD= 16

DESIGN G3.1 jdods: 6/11/1997 13:30: 8

FILE:P.C9INCOOLCV01

TARGET BODY : IO

MINI:m.C9INCOOLCV01

S/C EPH:/DATA/NAVIO/T-970513-tour.NS

PERIAPSIS:

THINNING:NIM 2

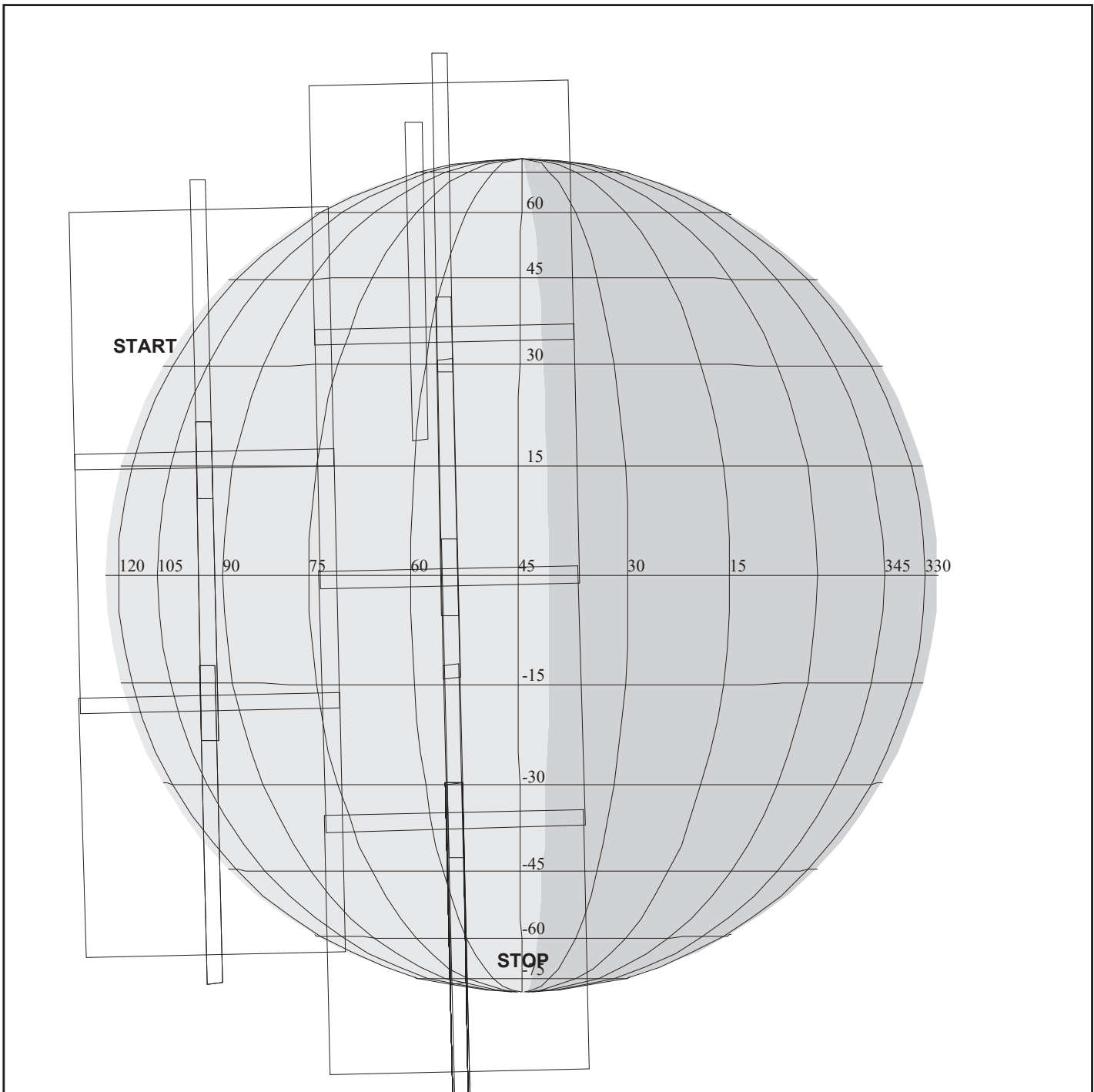
START:IEE 97-179/02:31:09.466 -CDS 1644:00:0

BODY PLOT TIME:TARGET-TIME D= 1568 S= 0.500

OBSERVATION:C9INCOOLCV01

DESCRIP:NIMS_Io_Eclipse_Obs

NIMS Io Eclipse Observation (ingress)		ACTIVITY ID:	C9INCOOLCV01-		
		START TIME:	97-177/22:43:50.133		
Activity ID: Orbit C9 Target I Inst N OAPEL COOLCV SeqNo 01 -					
Title	NIMS Io Eclipse Observation (ingress)		Instrument	NIMS	
Requestor	NIMS-SWG/R. Lopes		Team	NIMS Working Group	SWG
Time System	CDS	Load ID	Calendar Date	06/26/97	Week 26
Start	IEE-CDS 00001649:00:0		97-177/22:43:50.133	IEE-001/03:47:19.333	
End	IEE-CDS 00001635:00:0		97-177/22:57:59.466	IEE-001/03:33:10.000	
Duration	00000014:00:0		000/00:14:09.333	000/00:14:09.333	
Top Label	C9INCOOLCV01-				
Bottom Label					
Plot Key	NIMS	Type	SCI		
CDS Bytes	150	Report Options	BOTH		
CDS Source	OAP	Spin State	DUAL	Scan Platform	Yes
				DMS	Yes
Observation Objective					
To investigate cooling of hot spots on Io's surface as Io is eclipsed by Jupiter. Eclipse entry time is 97-177/22:51:06.					
Data Returned					
Design Detail					
Instrument Mode = SM Wavelengths = 102					
Short Map (SM), Gain 2, Grating Start 1, LPU, C9B_ISM68A, C9B_ISM68A					
Galileo Activity Plan Form			06/09/97	10:29:42	rev 6/95



C9GNRTGLOB01

TARGET G3.1 jdods: 6/ 3/1997 15: 7: 4

FILE:P.C9GSGLOBAL01

TARGET BODY : GANYMEDE

MINI:m.target

S/C EPH:/DATA/NAVIO/T-970513-tour.NS

PERIAPSIS:

START:GEE 97-177/17:20:16.866 +CDS 356:00:0

OBSERVATION:C9GSGLOBAL01

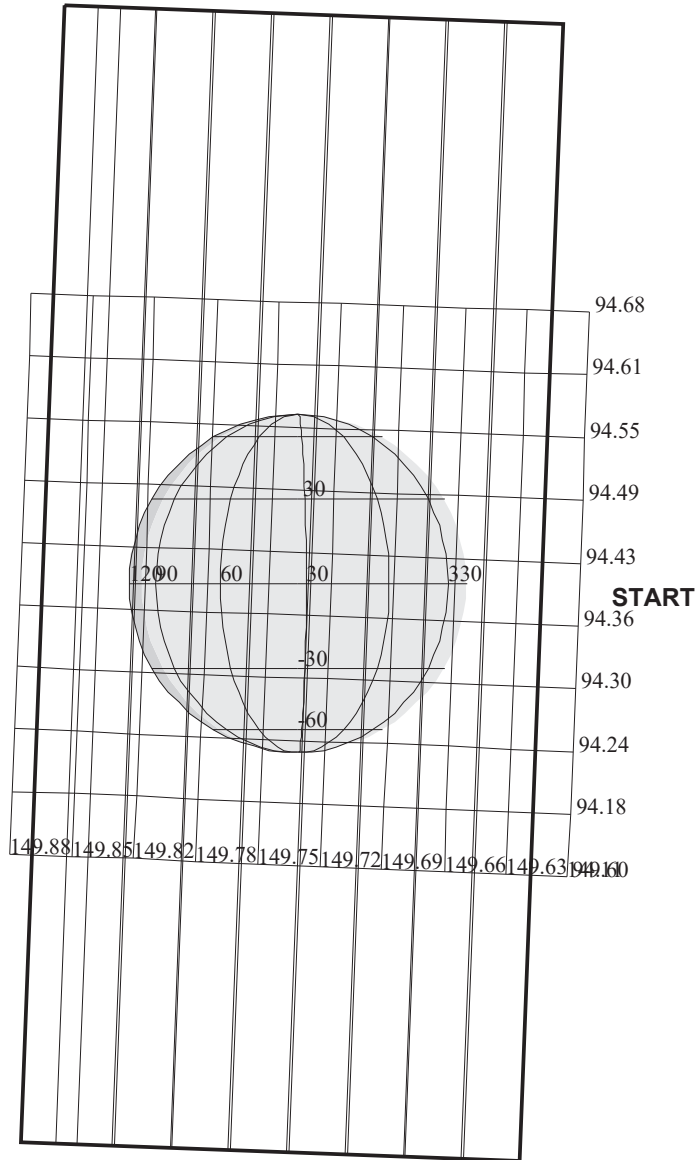
165IR:TT= 0 TMC= 1 C= -0.35 XC= -7.43 BS= 0/4830 TC= 1(0 91)
 A= 728 pD= 364 SR=17.450 RA50= 36.50 DEC50= 16.83 cone=100.48 clock=276.22
 118IR:#SB= 2 Cs= 0.00 XCs= 7.62 TPP= 26 SR= 3.000 RR= 9.000 BM=F RC= 1 BS= 3/4830
 1:#s= 3 #p= 1 Cr= 0.00 XCr= 14.50
 2:#s= 4 #p= 1 Cr= 7.62 XCr= -19.01

THINNING: NIMS 2

BODY PLOT TIME:TARGET-TIME D= 364 S= 0.800

DESCRIP:GANYMEDE GLOBAL MOSAIC

Ride Along with SSI on Global Mosaic		ACTIVITY ID:	C9GNRTGLOB01+		
		START TIME:	97-177/23:20:00.199		
Activity ID: Orbit C9 Target G Inst N OAPEL RTGLOB SeqNo 01 +					
Title	Ride Along with SSI on Global Mosaic		Instrument	NIMS	
Requestor	NIMS-SWG/J. HUI		Team	NIMS Working Group	SWG
Time System	CDS	Load ID	Calendar Date	06/26/97	Week 26
Start	GEE+CDS	00000355:70:0	97-177/23:20:00.199	GEE+000/05:59:43.333	
End	GEE+CDS	00000357:68:0	97-177/23:22:00.199	GEE+000/06:01:43.333	
Duration		00000001:89:0	000/00:02:00.000	000/00:02:00.000	
Top Label	C9GNRTGLOB01+				
Bottom Label					
Plot Key	NIMS	Type	SCI		
CDS Bytes	40	Report Options	BOTH	Scan Platform	No
CDS Source	OAP	Spin State	DUAL	DMS	No
Observation Objective					
Spectral global context for SSI global mosaic observation.					
Data Returned					
Design Detail					
NIMS ride-along with SSI (C9GSGLOBAL01).					
Real-time observation: select R/T at target time.					
Real-time duration = 2 RIMS (3.26% X 2 = 6.52% of MUB).					
NIMS mode = LM.					
Wavelength = 408.					
Mirror Block (center mirror).					
Gain state = 3.					
MIRROR BLOCKED (1B,1B) (11011,11011)					
Long Map (LM), Gain 4, Grating Start 0, R/T, RT408					
Galileo Activity Plan Form			06/09/97	10:29:42	rev 6/95



C9INWARMCV01

DESIGN G3.1 jdods: 6/11/1997 13:30:44

FILE:P.C9INWARMCV01

TARGET BODY : IO

MINI:m.C9INWARMCV01

S/C EPH:/DATA/NAVIO/T-970513-tour.NS

PERIAPSIS:

START:IEE 97-179/02:31:09.466 -CDS 1510:00:0

OBSERVATION:C9INWARMCV01

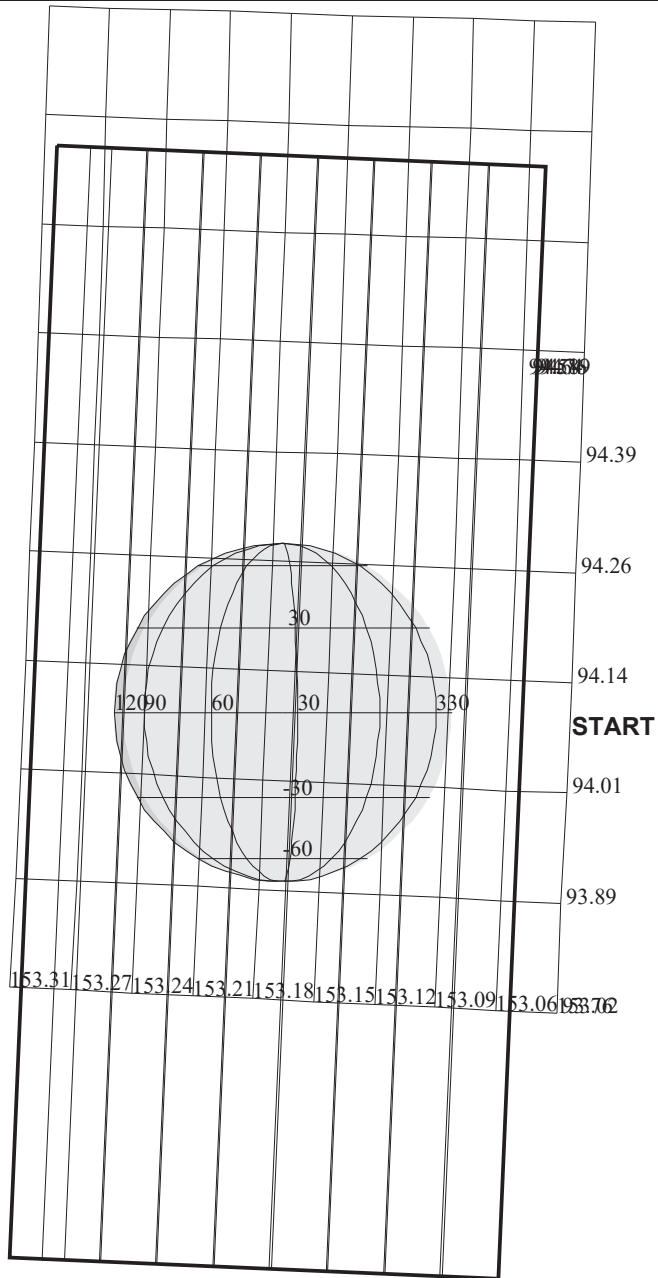
165DU:TT= 0 TMC= 1 C= -2.00 XC= 0.00 BS= 0/3576 TC= 3
 A= 728 pD= 1456 SR=17.450 RA50=291.71 DEC50=-23.66 cone=149.62 clock= 94.40
 117DU:#SB= 1 OR= 0.100 RR= 1.800 BM=F RC= 1 BS= 0/3576
 1:#s= 10 Cs= 4.00 XCs= 0.00 Cr= -4.00 XCr= 0.00 sD= 120 rD= 24

THINNING:NIM 2

BODY PLOT TIME:TARGET-TIME D= 1456 S= 0.500

DESCRIP:Io Eclipse Warm Curve 1

NIMS Io Eclipse Observation (egress)		ACTIVITY ID:	C9INWARMCV01-		
		START TIME:	97-178/00:59:19.466		
Activity ID: Orbit C9 Target I Inst N OAPEL WARMCV SeqNo 01 -					
Title	NIMS Io Eclipse Observation (egress)		Instrument	NIMS	
Requestor	NIMS-SWG/R. Lopes		Team	NIMS Working Group	SWG
Time System	CDS	Load ID	Calendar Date	06/27/97	Week 26
Start	IEE-CDS 00001515:00:0		97-178/00:59:19.466	IEE-001/01:31:50.000	
End	IEE-CDS 00001502:00:0		97-178/01:12:28.133	IEE-001/01:18:41.333	
Duration	00000013:00:0		000/00:13:08.667	000/00:13:08.667	
Top Label	C9INWARMCV01-				
Bottom Label					
Plot Key	NIMS	Type	SCI		
CDS Bytes	150	Report Options	BOTH	Scan Platform	Yes
CDS Source	OAP	Spin State	DUAL	DMS	Yes
Observation Objective					
To investigate warming of hot spots on Io's surface as Io is eclipsed by Jupiter. Eclipse exit time is 97-178/01:08:59.					
Data Returned					
Design Detail					
Instrument Mode = SM Wavelengths = 102					
Short Map (SM), Gain 2, Grating Start 1, LPU, C9B_ISM68A, C9B_ISM68A					
Galileo Activity Plan Form			06/09/97	10:29:42	rev 6/95



C9INWARMCV02

165DV:TT= 0 TMC= 1 C= -2.00 XC= 0.00 BS= 0/0674 TC= 3
 A= 728 pD= 1092 SR=17.450 RA50=295.39 DEC50=-23.02 cone=153.06 clock= 94.09
 117DV:#SB= 1 OR= 0.100 RR= 1.800 BM=F RC= 1 BS= 0/0674
 1:#s= 7 Cs= 4.00 XCs= 0.00 Cr= -4.00 XCr= 0.00 sD= 120 rD= 24

DESIGN G3.1 jdods: 6/11/1997 13:31:18

FILE:P.C9INWARMCV02

TARGET BODY : IO

MINI:m.C9INWARMCV02

S/C EPH:/DATA/NAVIO/T-970513-tour.NS

PERIAPSIS:

THINNING:NIM 2

START:IEE 97-179/02:31:09.466 -CDS 1471:00:0

BODY PLOT TIME:TARGET-TIME D= 1092 S= 0.500

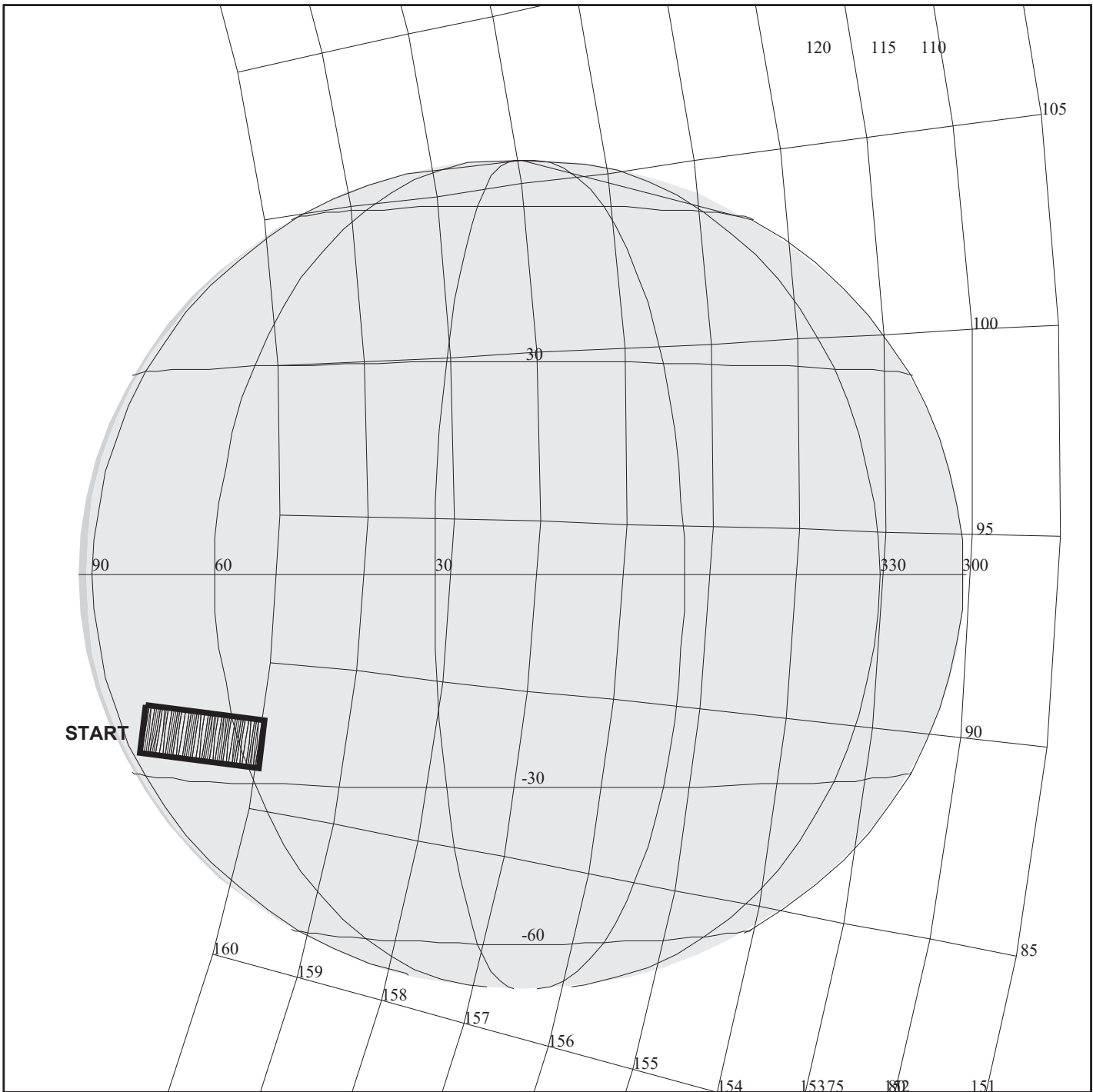
OBSERVATION:C9INWARMCV02

DESCRIP:Io Eclipse Warm Curve 2

NIMS Io Eclipse Obs. (post-egress)		ACTIVITY ID:	C9INWARMCV02-		
		START TIME:	97-178/01:38:45.466		
Activity ID: Orbit C9 Target I Inst N OAPEL WARMCV SeqNo 02 -					
Title	NIMS Io Eclipse Obs. (post-egress)		Instrument	NIMS	
Requestor	NIMS-SWG/R. Lopes		Team	NIMS Working Group	SWG
Time System	CDS	Load ID	Calendar Date	06/27/97	Week 26
Start	IEE-CDS 00001476:00:0		97-178/01:38:45.466	IEE-001/00:52:24.000	
End	IEE-CDS 00001464:00:0		97-178/01:50:53.466	IEE-001/00:40:16.000	
Duration	00000012:00:0		000/00:12:08.000	000/00:12:08.000	
Top Label	C9INWARMCV02-				
Bottom Label					
Plot Key	NIMS	Type	SCI		
CDS Bytes	150	Report Options	BOTH		
CDS Source	OAP	Spin State	DUAL	Scan Platform	Yes
				DMS	Yes
Observation Objective					
To investigate warming of hot spots on Io's surface as Io is eclipsed by Jupiter.					
Data Returned					
Design Detail					
Instrument Mode = SM Wavelengths = 102					
Short Map (SM), Gain 2, Grating Start 1, LPU, C9B_ISM68A, C9B_ISM68A					
Galileo Activity Plan Form			06/09/97	10:29:42	rev 6/95

This page BLANK

NIMS Real-Time Software Reload		ACTIVITY ID: C9NNRELOAD03-	
		START TIME: 97-178/05:53:33.466	
Activity ID: Orbit C9 Target N Inst N OAPEL RELOAD SeqNo 03 -			
Title	NIMS Real-Time Software Reload		Instrument
Requestor	NIMS-AWG/K. BAINES	Team	NIMS Working Group
			NIMS AWG
Time System	CDS	Load ID	Calendar Date 06/27/97 Week 26
Start	JEE-CDS 00000360:00:0	97-178/05:53:33.466	JEE-000/06:04:00.000
End	JEE-CDS 00000350:00:0	97-178/06:03:40.133	JEE-000/05:53:53.333
Duration	00000010:00:0	000/00:10:06.667	000/00:10:06.667
Top Label	C9NNRELOAD03-		
Bottom Label			
Plot Key	NIMS	Type	SCI
CDS Bytes	150	Report Options	BOTH
CDS Source	OAP	Spin State	DUAL
		Scan Platform	No
		DMS	No
Observation Objective			
<p>Reload NIMS software to prevent loss of science observations. These loads are placed strtegeticaly to protect high priority science.</p> <p>Memory reload from CDS to NIMS and restart. Diagnostic Checksum, Processor Halt, Memory Reload from CDS, Instrument Restart, and Operational Mode Set.</p>			
Design Detail			
<p>Use a standard set of commands to halt the instrument, load the software and reinitialize the instrument.</p> <p>6CKSUM - Check Sum NIMS RAM 1000 - 14BC 37PL - Halt NIMS Processor (37PL) 37MRL - Memory Reallocate 6MCPY - Copy flight software from CDS to NIMS 1000 6MCPY - Copy flight software from CDS to NIMS 1598 37IRT - Instrument Reset 37MN - Memory Normal 37IST - Chopper Reference.</p>			
Galileo Activity Plan Form		06/09/97 10:29:42 rev 6/95	



C9JNGRS01102

165DX:TT= 0 TMC= 1 C= 10.00 XC= 0.00 BS= 0/3818 TC= 1(-23 69)
 A= 728 pD= 0 SR=17.450 RA50=304.84 DEC50=-22.89 cone=161.35 clock= 87.14
 117DX:#SB= 1 OR= 0.100 RR=12.000 BM=F RC= 1 BS= 0/3818
 1:#s= 1 Cs= -21.80 XCs= 0.00 Cr= 0.00 XCr= 0.00 sD= 600 rD= 2

TARGET G3.1 jdods: 6/ 3/1997 15: 7: 4

FILE:P.C9JNGRS01102

CENTRAL BODY:JUPITER

MINI:m.target

S/C EPH:/DATA/NAVIO/T-970513-tour.NS

PERIAPSIS:

START:JEE 97-178/11:57:33.466 -CDS 315:00:0

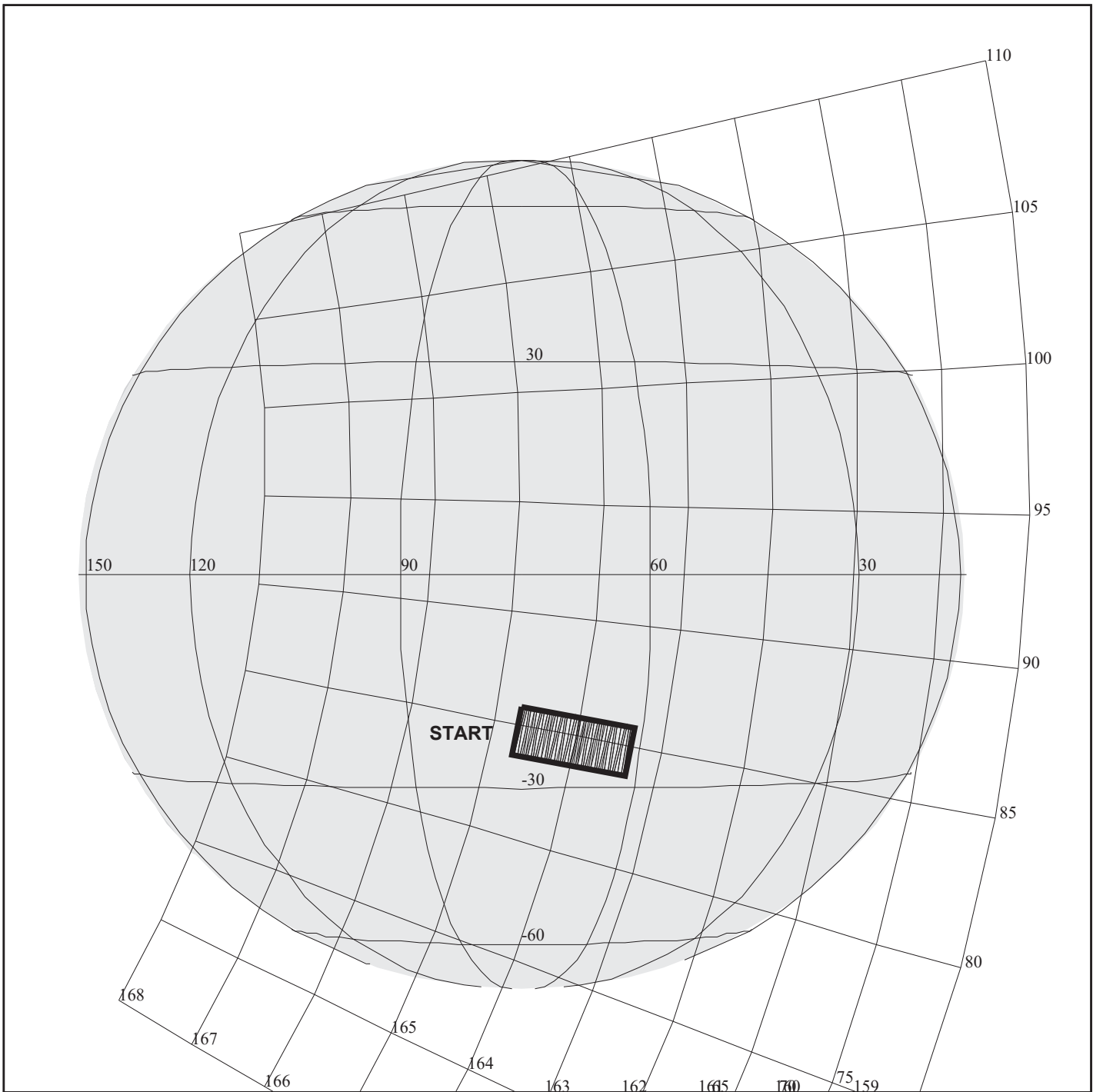
OBSERVATION:C9JNGRS01102

THINNING:NIM 2

BODY PLOT TIME:TARGET-TIME D= 0 S= 0.850

DESCRIP:JUP_GREAT_RED_SPOT_11_DEG_02

Jupiter Great Red Spot 11 degrees prt 2		ACTIVITY ID:	C9JNGRS01102-		
		START TIME:	97-178/06:32:59.466		
Activity ID: Orbit C9 Target J Inst N OAPEL GRS011 SeqNo 02 -					
Title	Jupiter Great Red Spot 11 degrees prt 2 Instrument				NIMS
Requestor	NIMS-AWG/K. BAINES		Team	NIMS Working Group	AWG
Time System	CDS	Load ID	Calendar Date	06/27/97	Week 26
Start	JEE-CDS	00000321:00:0	97-178/06:32:59.466	JEE-000/05:24:34.000	
End	JEE-CDS	00000311:00:0	97-178/06:43:06.133	JEE-000/05:14:27.333	
Duration		00000010:00:0	000/00:10:06.667	000/00:10:06.667	
Top Label	C9JNGRS01102-				
Bottom Label					
Plot Key	NIMS	Type	SCI		
CDS Bytes	150	Report Options	BOTH	Scan Platform	Yes
CDS Source	OAP	Spin State	DUAL	DMS	Yes
Observation Objective					
<p>One of 14 OAPELS constituting the Great Red Spot feature tracks. This is the first of two observations obtained on a rotation with phase angle approximately 11 degrees. Jupiter imaged in 25 colors, using NIMS downlink wavelength table JFT25A. This observation acquired with the Great Red SPOT near 55 degrees relative longitude assuming feature coordinates 23 degrees south latitude (planetographic) and 69 degrees west longitude (System III).</p>					
Data Returned					
Design Detail					
<p>Short map, Nyquist-sampled observation of 2 X 1 (20 X 10 mrad) area centered on the heart of the GRS near 69 degrees west longitude, 23 degrees south planetographic latitude. Spacecraft distance 0.77 million KM, NIMS IFOV (NIMSel) = 385 KM; 2 X 1 mosaic covers 15400 X 7700 KM. About 200 seconds of scanning, accumulating 0.1797 MBTG in 19 colors, and using 0.00672 tracks. Four rims reserved for targetting.</p>					
<p>Note (5/6/97): GRS center longitude now predicted to be at 62 degrees west longitude. This OAPEL observes 56-81 degrees longitude, i.e., Western half of the GRS.</p>					
Short Map (SM), Gain 2, Grating Start 1, LPU, C9JFT68C, C9JFT68C					
Galileo Activity Plan Form			06/09/97	10:29:42	rev 6/95



C9JNGRS01103

165DY:TT= 0 TMC= 1 C= 11.50 XC= 0.00 BS= 0/2746 TC= 1(-23 69)
 A= 728 pD= 0 SR=17.450 RA50=308.45 DEC50=-22.06 cone=164.71 clock= 84.71
 117DY:#SB= 1 OR= 0.100 RR=12.000 BM=F RC= 1 BS= 0/2746
 1:#s= 1 Cs= -21.80 XCs= 0.00 Cr= 0.00 XCr= 0.00 sD= 600 rD= 2

TARGET G3.1 jdods: 6/ 3/1997 15: 7: 4

FILE:P.C9JNGRS01103

CENTRAL BODY:JUPITER

MINI:m.target

S/C EPH:/DATA/NAVIO/T-970513-tour.NS

PERIAPSIS:

START:JEE 97-178/11:57:33.466 -CDS 211:00:0

OBSERVATION:C9JNGRS01103

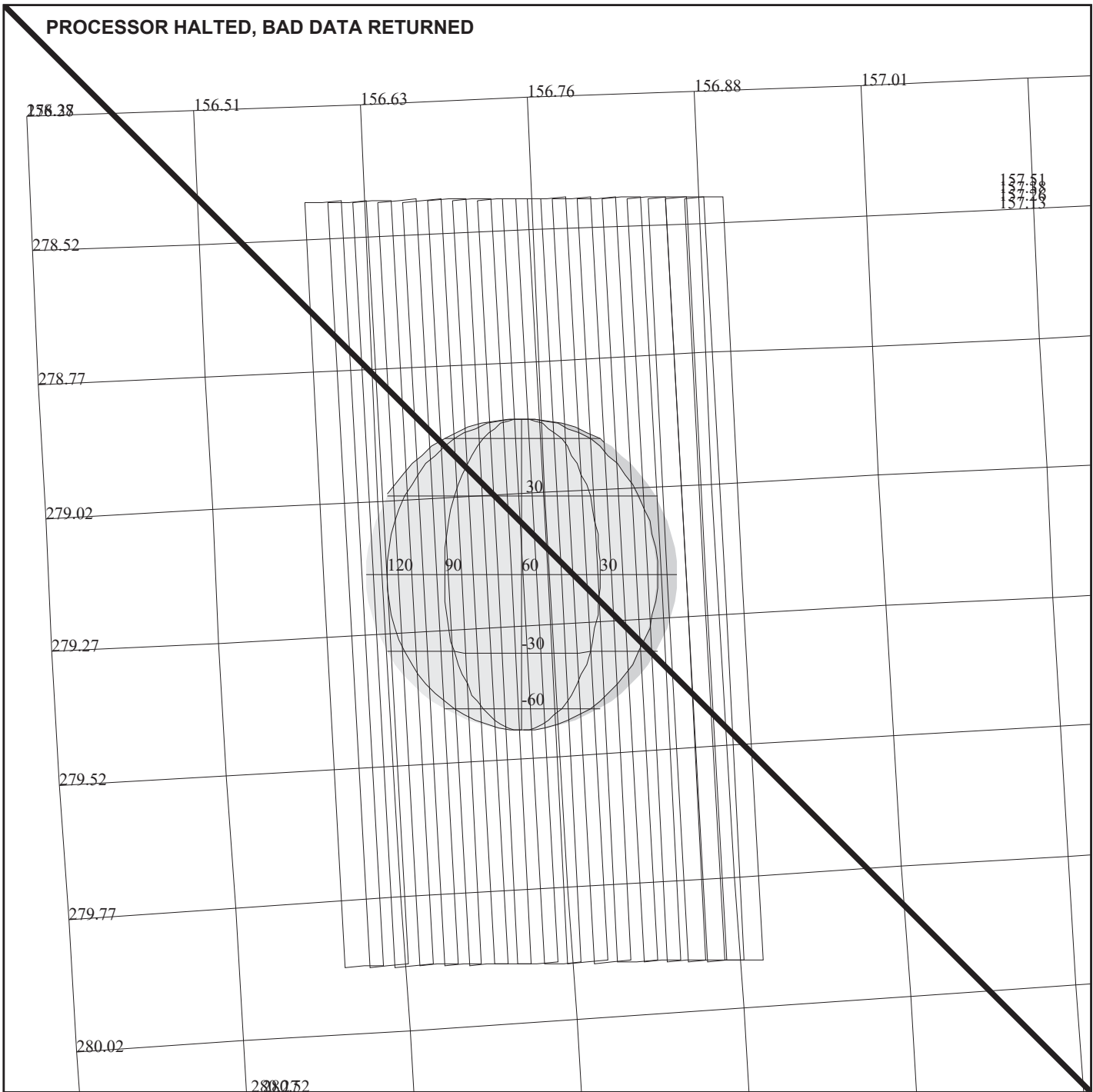
THINNING:NIM 2

BODY PLOT TIME:TARGET-TIME D= 0 S= 0.850

DESCRIP:JUP_GREAT_RED_SPOT_11_DEG_03

Jupiter Great Red Spot 11 degrees prt 3		ACTIVITY ID:	C9JNGRS01103-		
		START TIME:	97-178/08:19:09.466		
Activity ID: Orbit C9 Target J Inst N OAPEL GRS011 SeqNo 03 -					
Title	Jupiter Great Red Spot 11 degrees prt 3 Instrument				NIMS
Requestor	NIMS-AWG/K. BAINES		Team	NIMS Working Group	AWG
Time System	CDS	Load ID	Calendar Date	06/27/97	Week 26
Start	JEE-CDS	00000216:00:0	97-178/08:19:09.466	JEE-000/03:38:24.000	
End	JEE-CDS	00000207:00:0	97-178/08:28:15.466	JEE-000/03:29:18.000	
Duration		00000009:00:0	000/00:09:06.000	000/00:09:06.000	
Top Label	C9JNGRS01103-				
Bottom Label					
Plot Key	NIMS	Type	SCI		
CDS Bytes	150	Report Options	BOTH	Scan Platform	Yes
CDS Source	OAP	Spin State	DUAL	DMS	Yes
Observation Objective					
<p>One of 14 OAPELS constituting the Great Red Spot feature tracks. This is the second of two observations obtained on a rotation with phase angle approximately 11 degrees. Jupiter imaged in 25 colors, using NIMS downlink wavelength table JFT25A. This observation acquired with the Great Red Spot near the minimum airmass close to the central meridian assuming feature coordinates 23 degrees south latitude (planetographic) and 69 degrees west longitude (System III).</p>					
Data Returned					
Design Detail					
<p>Short map, Nyquist-sampled observation of 2 X 1 (20 X 10 mrad) area centered on the heart of the GRS near 69 degrees west longitude, 23 degrees south planetographic latitude. Spacecraft distance 0.72 million KM, NIMS IFOV (NIMSel) = 360 KM; 2 X 1 mosaic covers 14400 X 7200 KM. About 200 seconds of scanning, accumulating 0.1797 MBTG in 19 colors, and using 0.00672 tracks. Four rims reserved for targetting.</p>					
<p>Note (5/6/97): GRS center longitude now predicted to be at 62 degrees west longitude. This OAPEL observes 60-78 degrees W. longitude, i.e., Western half of the GRS.</p>					
Short Map (SM), Gain 2, Grating Start 1, LPU, C9JFT68C, C9JFT68C					
Galileo Activity Plan Form			06/09/97	10:29:42	rev 6/95

PROCESSOR HALTED, BAD DATA RETURNED



165EA:TT= 0 TMC= 1 C= -2.50 XC= 0.00 BS= 0/6588 TC= 3
A= 728 pD= 0 SR=17.450 RA50=344.79 DEC50= -6.41 cone=156.60 clock=279.17
117EA:#SB= 1 OR= 0.010 RR=12.000 BM=F RC= 1 BS= 0/6588
1:#s= 2 Cs= 1.20 XCs= 0.00 Cr= -5.30 XCr= 0.00 sD= 434 rD= 18

C9INCHEMIS01

TARGET G3.1 jdods: 6/ 3/1997 15: 7: 4

FILE:P.C9INCHEMIS01

TARGET BODY : IO

MINI:m.target

S/C EPH:/DATA/NAVIO/T-970513-tour.NS

PERIAPSIS:

START:IEE 97-179/02:31:09.466 -CDS 944:00:0

OBSERVATION:C9INCHEMIS01

THINNING:NIM 1

BODY PLOT TIME:TARGET-TIME D= 0 S= 0.300

DESCRIP:C9INCHEMIS01

Monitoring of Io's Dayside		ACTIVITY ID:	C9INCHEMIS01-		
		START TIME:	97-178/10:31:36.800		
Activity ID: Orbit C9 Target I Inst N OAPEL CHEMIS SeqNo 01 -					
Title	Monitoring of Io's Dayside		Instrument		NIMS
Requestor	NIMS-SWG/R.		Team	NIMS Working Group	SWG
Time System	CDS	Load ID	Calendar Date	06/27/97	Week 26
Start	IEE-CDS 00000949:00:0		97-178/10:31:36.800	IEE-000/15:59:32.666	
End	IEE-CDS 00000938:66:0		97-178/10:42:00.133	IEE-000/15:49:09.333	
Duration	00000010:25:0		000/00:10:23.333	000/00:10:23.333	
Top Label	C9INCHEMIS01-				
Bottom Label					
Plot Key	NIMS	Type	SCI		
CDS Bytes	150	Report Options	BOTH	Scan Platform	Yes
CDS Source	OAP	Spin State	DUAL	DMS	Yes
Observation Objective					
<p>Dayside monitoring covering wide range of longitudes to look for chemical changes (e.g. SO2 distribution) at resolutions better than ~800 km/nimse1 (most observations will have resolutions between 120 and 400 km/nimse1).</p>					
<p>Processor Halted, Bad Data Returned</p>					
Design Detail					
<p>Partial or full disk mosaics within C/A + or - 32 hours in all orbits. High priority orbits are G2, C3, E4, E6 and E10 where resolution for lit disk is best.</p> <p>Long map, 51 wavelengths. Tracks used per orbit: 0.05 to 0.42. Bits To Ground per orbit: 0.3 to 2.2 Mbits.</p>					
<p>Long Map (LM), Gain 2, Grating Start 0, LPU, C9ILM243C, C9ILM228C</p>					
Galileo Activity Plan Form			06/09/97	10:29:42	rev 6/95

Feature Track Window

ACTIVITY ID: C9JNWINDOW01-
START TIME: 97-178/12:08:40.799

Activity ID: Orbit C9 Target J Inst N OAPEL WINDOW SeqNo 01 -

Title Feature Track Window Instrument NIMS
Requestor NIMS-AWG/K. BAINES Team NIMS Working Group AWG

Time System CDS Load ID Calendar Date 06/27/97 Week 26

Start JEE+CDS 00000011:00:0 97-178/12:08:40.799 JEE+000/00:11:07.333
End JEE+CDS 00000274:00:0 97-178/16:34:36.132 JEE+000/04:37:02.666
Duration 00000263:00:0 000/04:25:55.333 000/04:25:55.333

Top Label C9JNWINDOW01-
Bottom Label

Plot Key NIMS Type SCI
CDS Bytes 0 Report Options BOTH Scan Platform No
CDS Source OAP Spin State DUAL DMS No

Observation Objective

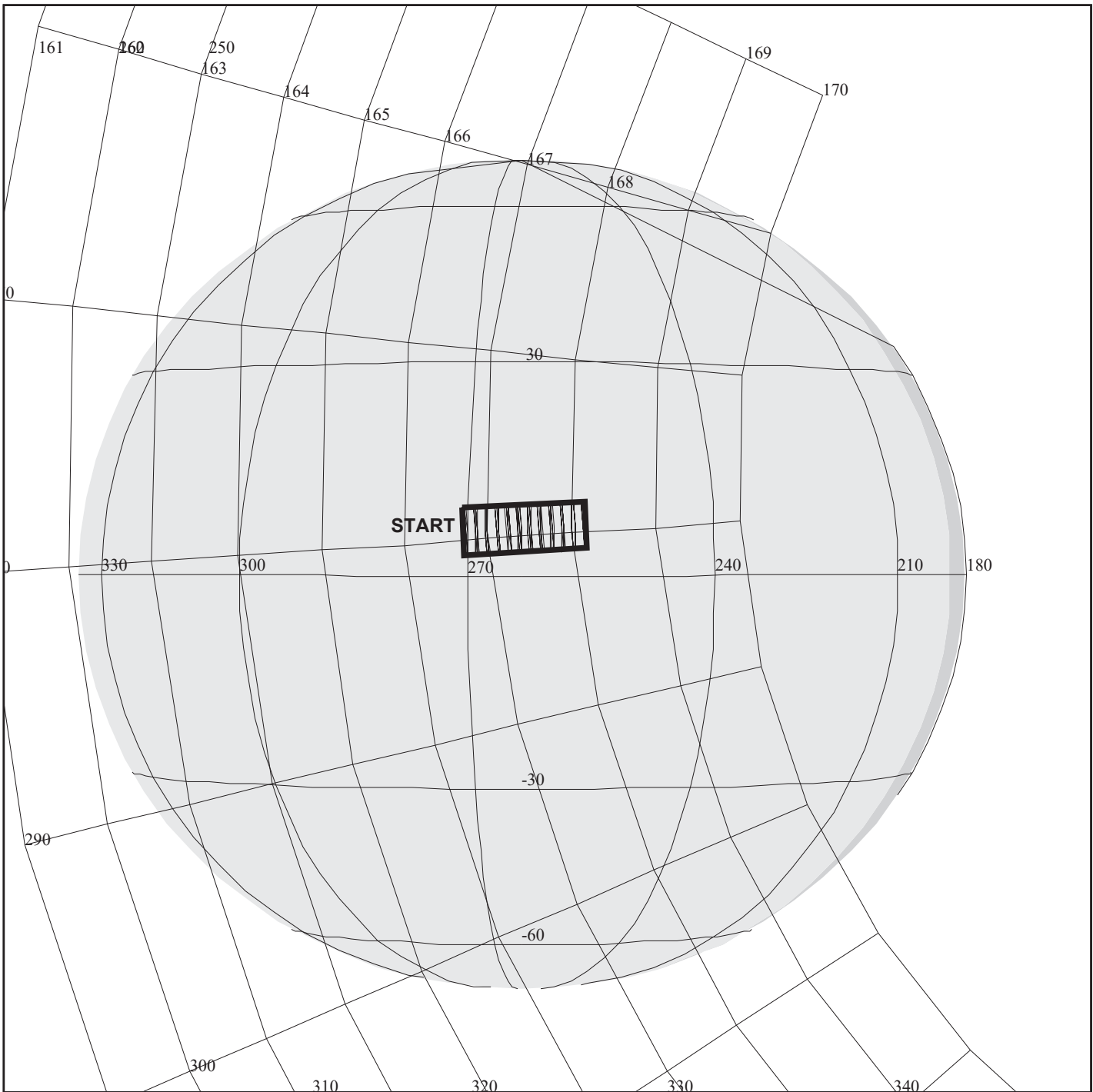
NIMS Jupiter feature track window

Design Detail

Galileo Activity Plan Form

06/09/97 10:29:42 rev 6/95

NIMS Real-Time Software Reload		ACTIVITY ID: C9NNRELOAD04-	
		START TIME: 97-178/14:12:02.133	
Activity ID: Orbit C9 Target N Inst N OAPEL RELOAD SeqNo 04 -			
Title	NIMS Real-Time Software Reload		Instrument
Requestor	NIMS-AWG/K. BAINES	Team	NIMS Working Group
			NIMS AWG
Time System	CDS	Load ID	Calendar Date 06/27/97 Week 26
Start	JTC+CDS 00000114:00:0	97-178/14:12:02.133	JTC+000/01:55:16.000
End	JTC+CDS 00000119:00:0	97-178/14:17:05.466	JTC+000/02:00:19.333
Duration	00000005:00:0	000/00:05:03.333	000/00:05:03.333
Top Label	C9NNRELOAD04-		
Bottom Label			
Plot Key	NIMS	Type	SCI
CDS Bytes	150	Report Options	BOTH
CDS Source	OAP	Spin State	DUAL
			Scan Platform
			DMS
			No
			No
Observation Objective			
<p>Reload NIMS software to prevent loss of science observations. These loads are placed strtegeticaly to protect high priority science.</p> <p>Memory reload from CDS to NIMS and restart. Diagnostic Checksum, Processor Halt, Memory Reload from CDS, Instrument Restart, and Operational Mode Set.</p>			
Design Detail			
<p>Use a standard set of commands to halt the instrument, load the software and reinitialize the instrument.</p> <p>6CKSUM - Check Sum NIMS RAM 1000 - 14BC 37PL - Halt NIMS Processor (37PL) 37MRL - Memory Reallocate 6MCPY - Copy flight software from CDS to NIMS 1000 6MCPY - Copy flight software from CDS to NIMS 1598 37IRT - Instrument Reset 37MN - Memory Normal 37IST - Chopper Reference.</p>			
Galileo Activity Plan Form		06/09/97 10:29:42 rev 6/95	



C9JNFEAFUL01

165EG:TT= 0 TMC=1 C= -15.00 XC= 0.00 BS= 0/6992 TC= 1(6.5 263)
 A= 546 pD= 0 SR=17.450 RA50=335.38 DEC50=-10.10 cone=166.61 clock=279.54
 118EG:#SB= 1 Cs= 2.00 XCs= 0.00 TPP= 104 SR= 3.000 RR=12.000 BM=F RC= 1 BS= 0/6992
 1:#s= 13 #p= 1 Cr= 3.55 XCi= 0.00

TARGET G3.1 jdods: 6/ 3/1997 15: 7: 4

FILE:P.C9JNFEAFUL01

CENTRAL BODY:JUPITER

MINI:m.target

S/C EPH:/DATA/NAVIO/T-970513-tour.NS

PERIAPSIS:

THINNING:NIM 1

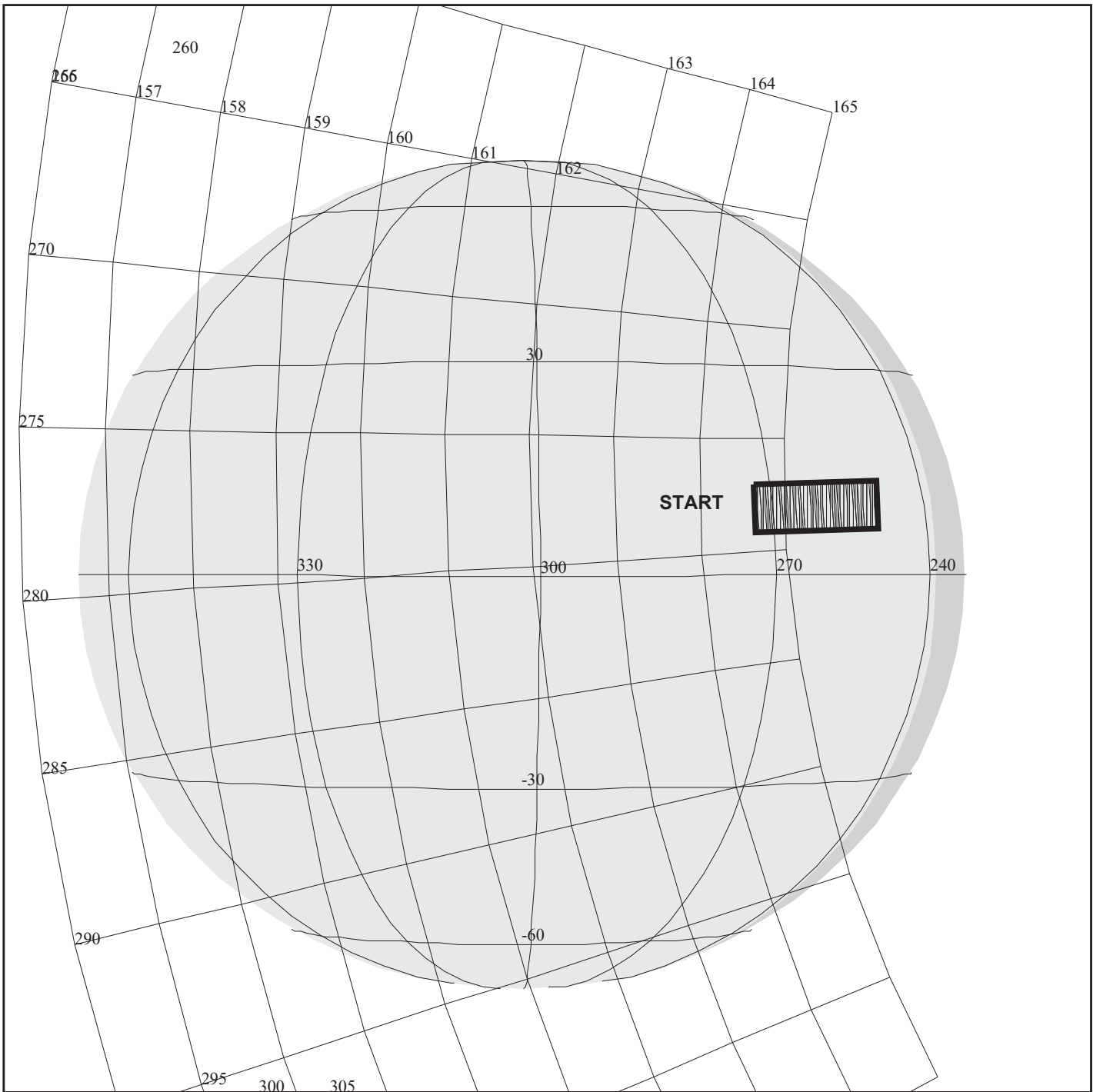
START:JTC 97-178/12:16:46.133 +CDS 123:00:0

BODY PLOT TIME:TARGET-TIME D= 0 S= 0.850

OBSERVATION:C9JNFEAFUL01

DESCRIP:JUPITER_FTR_TRK_FULL_SPECTRA

Jupiter Ftr Trk Full Spectra		ACTIVITY ID:	C9JNFEAFUL01-		
		START TIME:	97-178/14:18:06.133		
Activity ID: Orbit C9 Target J Inst N OAPEL FEAFUL SeqNo 01 -					
Title	Jupiter Ftr Trk Full Spectra		Instrument		NIMS
Requestor	NIMS-AWG/K. BAINES		Team	NIMS Working Group	AWG
Time System	CDS	Load ID	Calendar Date	06/27/97	Week 26
Start	JTC+CDS	00000120:00:0	97-178/14:18:06.133	JTC+000/02:01:20.000	
End	JTC+CDS	00000130:00:0	97-178/14:28:12.799	JTC+000/02:11:26.666	
Duration		00000010:00:0	000/00:10:06.666	000/00:10:06.666	
Top Label	C9JNFEAFUL01-				
Bottom Label					
Plot Key	NIMS	Type	SCI		
CDS Bytes	150	Report Options	BOTH		
CDS Source	OAP	Spin State	DUAL	Scan Platform	Yes
			DMS		Yes
Observation Objective					
<p>Full Long-map spectrum in 408 wavelengths of 12 selected regions within the Hot Spot/Plume 2 X 1 territory. The campaign feature, centered at centered at 249 degrees west longitude (System III), 8 degrees north planetographic latitude, observed near the central meridian during the phase angle approximately 15 degrees rotation. The feature is scanned in all 408 wavelengths specified by NIMS wavelength table JFE408A: 0.695 - 5.22 microns.</p>					
Data Returned					
Design Detail					
<p>Long map, full 408-wavelength spectral observation of 12 selected NIMS columns evenly spaced about the center of the 2 X 1 Hot Spot/Plume campaign feature. At each site, 4 long map spectra are acquired, lasting 34.6667 seconds. Spacecraft distance 0.70 million KM, each column covers 350 X 7000 KM at 350 IFOV resolution. About 436.667 seconds of start/stop scanning, including 3 seconds of repositioning between each of the 12 sites, accumulating 2.09237 MBTG and using 0.0550 tracks. Two rims reserved for targetting, coming in from THEBE.</p> <p>NOTE 5/15/97: Target coordinates chaged to 263 degrees West longitude, 6.5 degrees North latitude, to encompass both hotspot and plume head.</p> <p>Long Map (LM), Gain 2, Grating Start 0, LPU, C9JFE253A, C9JFE253A</p>					
Galileo Activity Plan Form			06/09/97	10:29:42	rev 6/95



C9JNFEA01504

165EK:TT= 0 TMC= 1 C= -13.00 XC= -4.50 BS= 0/0096 TC= 1(6.5 263)
 A= 182 pD= 0 SR=17.450 RA50=337.10 DEC50= -9.07 cone=164.66 clock=278.11
 117EK:#SB= 1 OR= 0.100 RR=12.000 BM=F RC= 1 BS= 0/0096
 1:#s= 2 Cs= 21.90 XCs= 0.00 Cr= -23.50 XCr= 8.00 sD= 600 rD= 40

TARGET G3.1 jdods: 6/ 3/1997 15: 7: 4

FILE:P.C9JNFEA01504

CENTRAL BODY:JUPITER

MINI:m.target

S/C EPH:/DATA/NAVIO/T-970513-tour.NS

PERIAPSIS:

THINNING:NIM 2

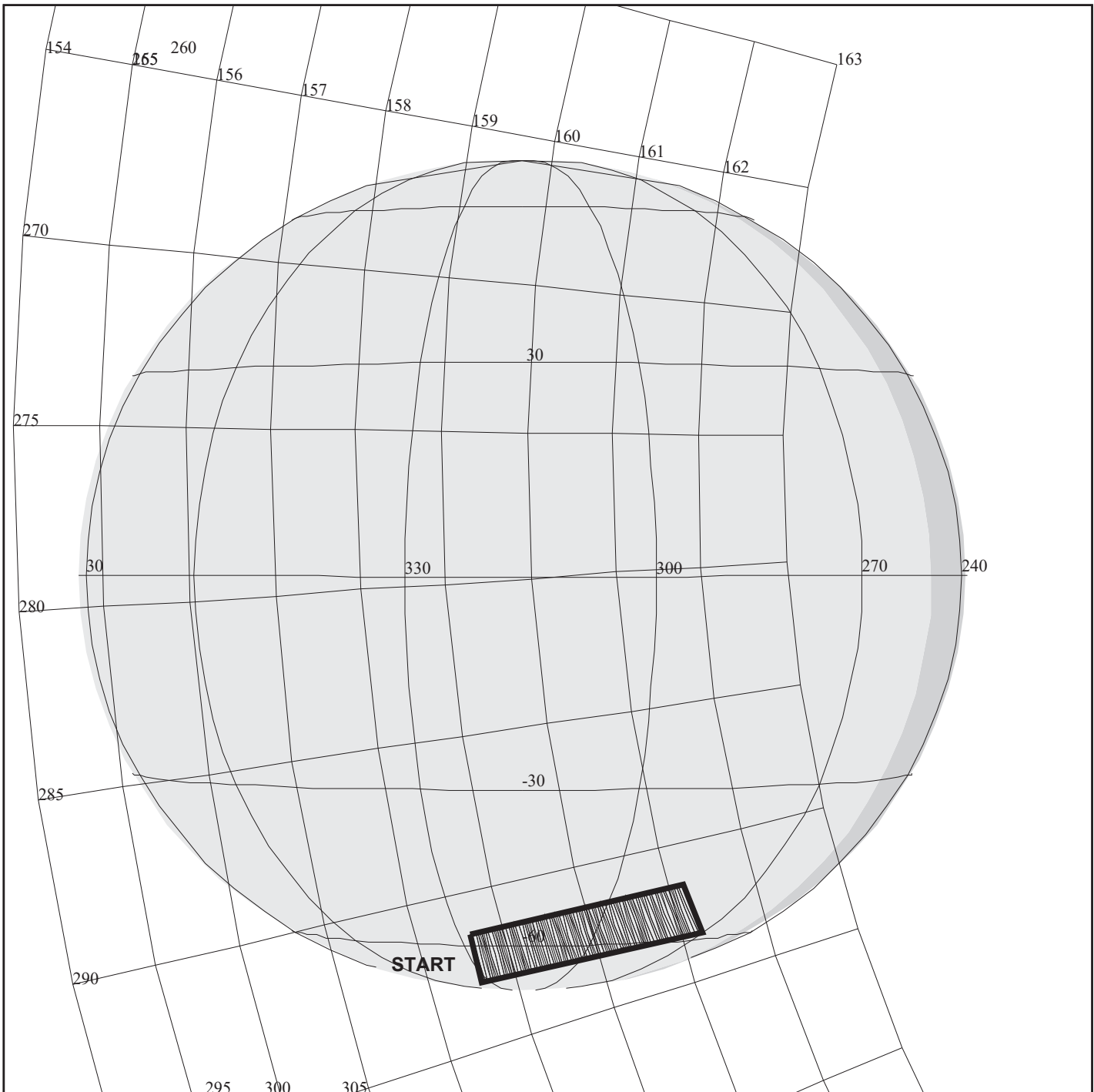
START:JTC 97-178/12:16:46.133 +CDS 195:00:0

BODY PLOT TIME:TARGET-TIME D= 0 S= 0.850

OBSERVATION:C9JNFEA01504

DESCRIP:Jup_Fea_trk_15_deg_phase_04

Jupiter Ftr Trk 25 degrees Phase part 4		ACTIVITY ID:	C9JNFEA01504-		
		START TIME:	97-178/15:31:54.799		
Activity ID: Orbit C9 Target J Inst N OAPEL FEA015 SeqNo 04 -					
Title	Jupiter Ftr Trk 25 degrees Phase part 4 Instrument				NIMS
Requestor	NIMS-AWG/K. BAINES		Team	NIMS Working Group	AWG
Time System	CDS	Load ID	Calendar Date	06/27/97	Week 26
Start	JTC+CDS	00000193:00:0	97-178/15:31:54.799	JTC+000/03:15:08.666	
End	JTC+CDS	00000202:00:0	97-178/15:41:00.799	JTC+000/03:24:14.666	
Duration		00000009:00:0	000/00:09:06.000	000/00:09:06.000	
Top Label	C9JNFEA01504-				
Bottom Label					
Plot Key	NIMS	Type	SCI		
CDS Bytes	150	Report Options	BOTH	Scan Platform	Yes
CDS Source	OAP	Spin State	DUAL	DMS	Yes
Observation Objective					
<p>One of 12 OAPELS constituting the feature tracks the Hot Spot/Plume feature campaign. This is the second of two observations obtained on a rotation with phase angle approximately 15 degrees. Jupiter imaged in 25 colors, using NIMS downlink wavelength table JFT25A. This observation acquired with Hot Spot/Plume feature near the evening terminator, assuming feature coordinates 8 degrees north latitude (planetographic) and nominally 249 degrees west longitude (System III). This OAPEL incorporated inside a slide-able window to allow targetting of the best Hot Spot/Plume coordinate.</p>					
Data Returned					
Design Detail					
<p>Short map, Nyquist-sampled observation of 2 X 2 (20 X 18 mrad) area centered on Hot Spot/Plume feature nominally near 249 degrees west longitude, 8 degrees north planetographic latitude. Spacecraft distance 0.73 million KM, NIMS IFOV (NIMSel) = 365 KM; 2 X 2 mosaic covers 14600 X 11826 KM. About 420 seconds of scanning, including 20 seconds for reposition slew, accumulating 0.37729 MBTG in 19 colors, and using 0.01411 tracks. One rim reserved for targetting.</p> <p>NOTE 5/15/97: Target coordinates changed to 263 degrees West longitude, 6.5 degrees North latitude to encompass both hotspot and plume head.</p> <p>Only top swath recorded and returned.</p>					
Short Map (SM), Gain 2, Grating Start 1, LPU, C9JFT68C, C9JFT68C					
Galileo Activity Plan Form			06/09/97	10:29:43	rev 6/95



C9JNSPOLEM04

165EL:TT= 0 TMC= 1 C= -20.00 XC= -6.00 BS= 0/4828 TC= 1(-65 300)
 A= 364 pD= 0 SR=17.450 RA50=344.16 DEC50=-11.70 cone=158.64 clock=292.12
 117EL:#SB= 1 OR= 0.100 RR=12.000 BM=F RC= 1 BS= 0/4828
 1:#s= 2 Cs= 40.00 XCs= 0.00 Cr= -44.00 XCr= 6.00 sD= 1104 rD= 28

TARGET G3.1 jdods: 6/ 3/1997 15: 7: 4

FILE:P.C9JNSPOLEM04

CENTRAL BODY:JUPITER

MINI:m.target

S/C EPH:/DATA/NAVIO/T-970513-tour.NS

PERIAPSIS:

THINNING:NIM 2

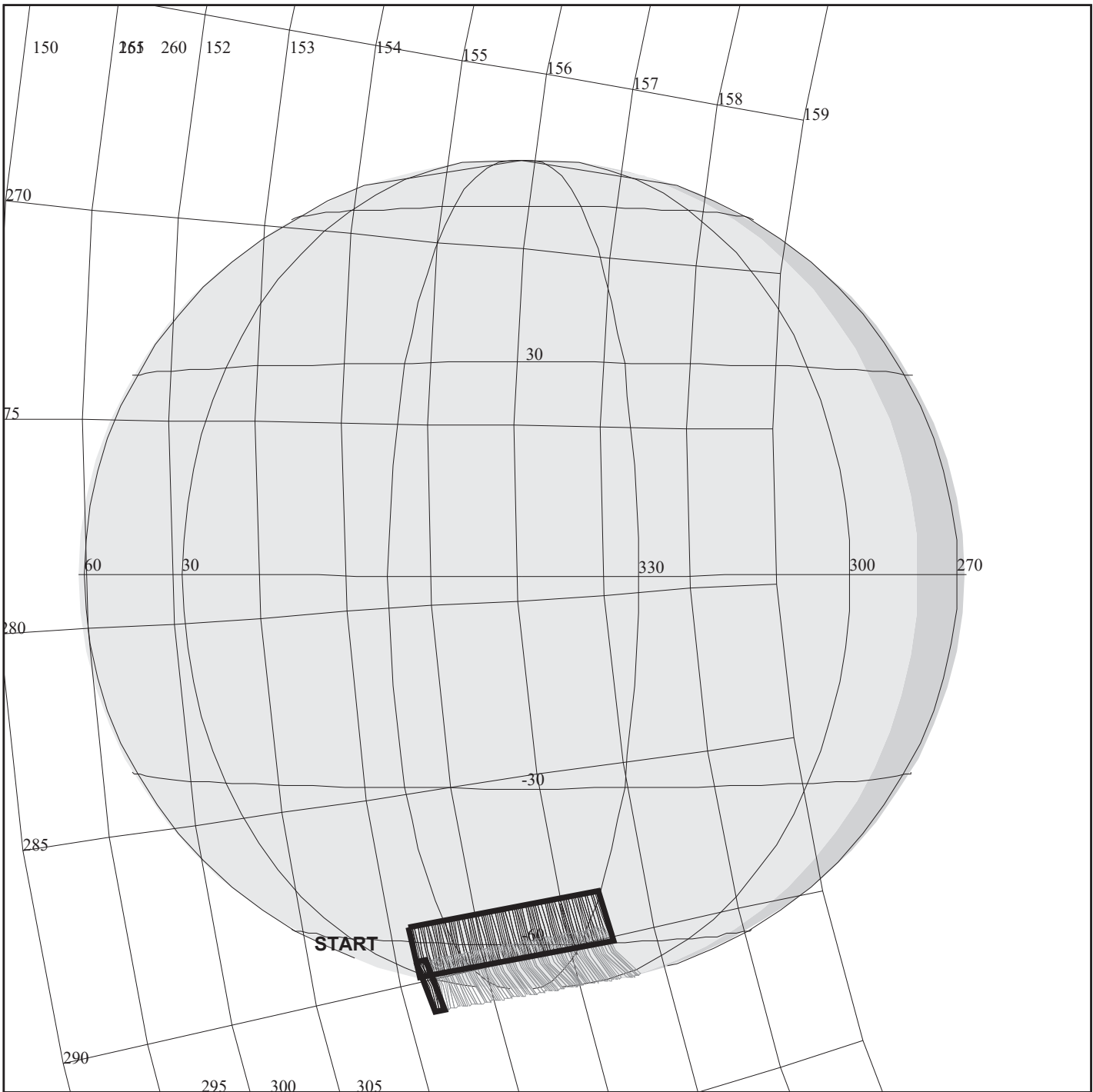
START:JTC 97-178/12:16:46.133 +CDS 221:00:

BODY PLOT TIME:TARGET-TIME D= 0 S= 0.850

OBSERVATION:C9JNSPOLEM04

DESCRIP:JUPITER_SOUTH_POLE_MAP_04

Jupiter South Pole Map part 4		ACTIVITY ID:	C9JNSPOLEM04-		
		START TIME:	97-178/15:56:10.799		
Activity ID: Orbit C9 Target J Inst N OAPEL SPOLEM SeqNo 04 -					
Title	Jupiter South Pole Map part 4		Instrument		NIMS
Requestor	NIMS-AWG/K. BAINES		Team	NIMS Working Group	AWG
Time System	CDS	Load ID	Calendar Date	06/27/97	Week 26
Start	JTC+CDS 00000217:00:0		97-178/15:56:10.799	JTC+000/03:39:24.666	
End	JTC+CDS 00000233:82:0		97-178/16:13:16.133	JTC+000/03:56:30.000	
Duration	00000016:82:0		000/00:17:05.334	000/00:17:05.334	
Top Label	C9JNSPOLEM04-				
Bottom Label					
Plot Key	NIMS	Type	SCI		
CDS Bytes	150	Report Options	BOTH		
CDS Source	OAP	Spin State	DUAL	Scan Platform	Yes
			DMS		Yes
Observation Objective					
<p>First of four maps of the South Polar region, examining haze vertical and spatial structure over all longitudes at South Polar latitudes. Observation obtained with minimum-airmass longitude near 300 degrees west longitude. South Pole imaged in 25 colors, using NIMS downlink wavelength table JFT25A. OAPELS SPOLEM01 thru SPOLEM03 deleted to avoid cone pole problems. Resources re-allocated amongst SPOLEM04, SPOLEM05, SPOLEM06 and SPOLEM08.</p>					
Data Returned					
Design Detail					
<p>Short map, Nyquist sampled observation of 4 X 2 (40 X 18 mrad) area centered on South Pole at 300 degrees west longitude, 65 degrees south latitude. Spacecraft distance about 0.74 million KM, NIMS IFOV (NIMSel) = 370 KM. 4 X 2 mosaic covers 29600 X 13320 KM, covering more than 30 degrees of longitude in the polar region. About 750 seconds = 12:30 of scanning, including 10 seconds for a reposition slew, accumulating 0.6737 MBTG in 19 colors, and using 0.0252 tracks. Target time is two rims.</p> <p>Only top swath recorded and returned.</p> <p>Only Dark Sky Returned, Jupiter not Seen in the Data.</p> <p>Short Map (SM), Gain 2, Grating Start 1, LPU, C9JFT68C, C9JFT68C</p>					
Galileo Activity Plan Form			06/09/97	10:29:43	rev 6/95



C9JNSPOLEM05

165EM:TT= 0 TMC=1 C= -20.00 XC= -6.00 BS= 0/4292 TC= 1(-65 345)
 A= 728 pD= 0 SR=17.450 RA50=348.31 DEC50= -9.68 cone=154.24 clock=289.18
 117EM:#SB= 1 OR= 0.100 RR=12.000 BM=F RC= 1 BS= 0/4292
 1:#s= 2 Cs= 35.00 XCs= 0.00 Cr= -40.00 XCr= 6.00 sD= 964 rD= 28

TARGET G3.1 jdods: 6/ 3/1997 15: 7: 4

FILE:P.C9JNSPOLEM05

CENTRAL BODY:JUPITER

MINI:m.target

S/C EPH:/DATA/NAVIO/T-970513-tour.NS

PERIAPSIS:

START:JEE 97-178/11:57:33.466 +CDS 292:00:0

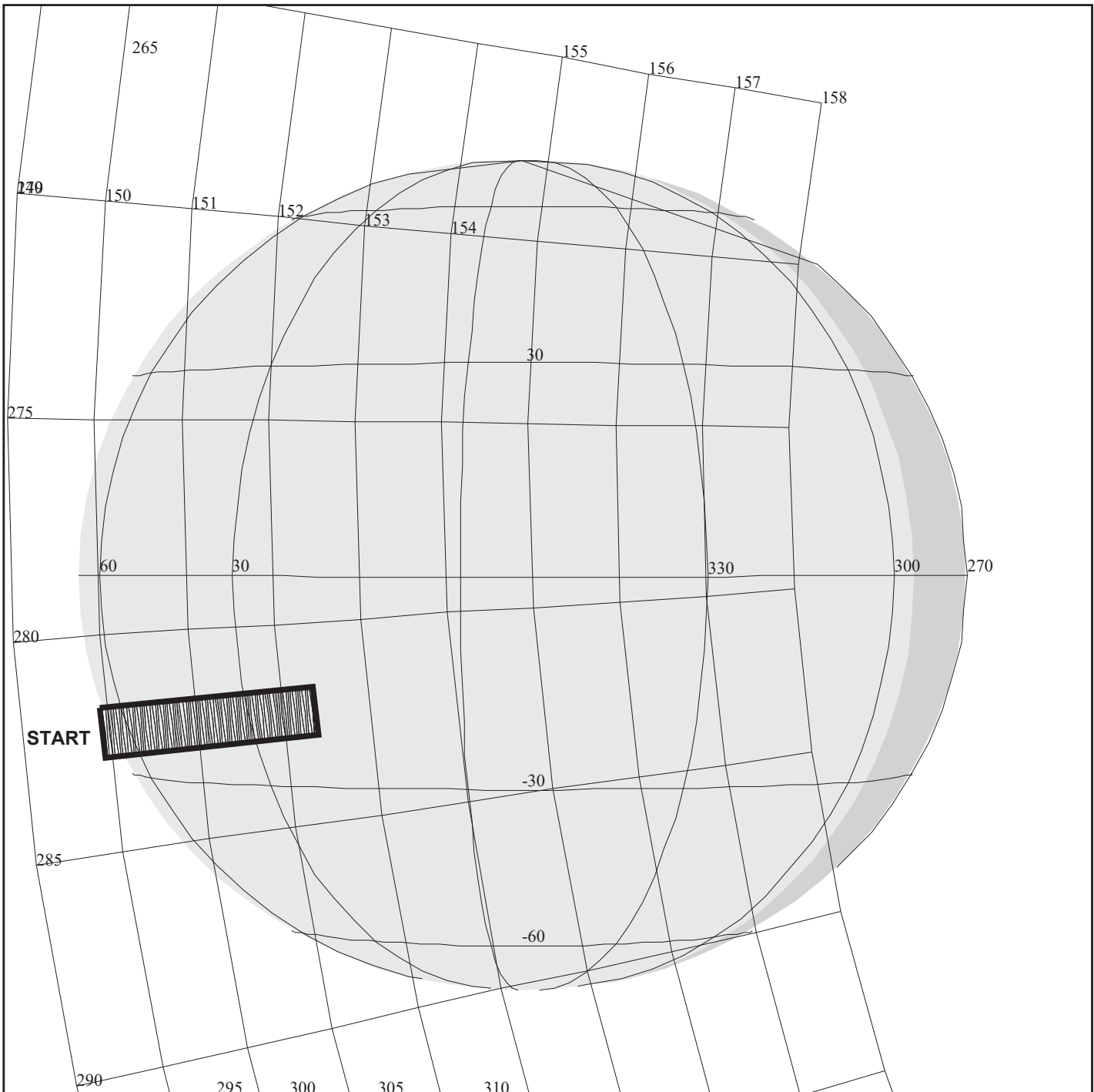
OBSERVATION:C9JNSPOLEM05

THINNING:NIM 2

BODY PLOT TIME:TARGET-TIME D= 0 S= 0.850

DESCRIP:JUPITER_SOUTH_POLE_MAP_05

Jupiter South Pole Map part 5		ACTIVITY ID:	C9JNSPOLEM05-		
		START TIME:	97-178/16:44:42.799		
Activity ID: Orbit C9 Target J Inst N OAPEL SPOLEM SeqNo 05 -					
Title	Jupiter South Pole Map part 5		Instrument		NIMS
Requestor	NIMS-AWG/K. BAINES		Team	NIMS Working Group	AWG
Time System	CDS	Load ID	Calendar Date	06/27/97	Week 26
Start	JEE+CDS	00000284:00:0	97-178/16:44:42.799	JEE+000/04:47:09.333	
End	JEE+CDS	00000303:00:0	97-178/17:03:55.466	JEE+000/05:06:22.000	
Duration		00000019:00:0	000/00:19:12.667	000/00:19:12.667	
Top Label	C9JNSPOLEM05-				
Bottom Label					
Plot Key	NIMS	Type	SCI		
CDS Bytes	150	Report Options	BOTH		
CDS Source	OAP	Spin State	DUAL	Scan Platform	Yes
			DMS		Yes
Observation Objective					
<p>Second of four maps of the South Polar region, examining haze vertical and spatial structure over all longitudes at South Polar latitudes. Observation obtained with minimum-airmass longitude near 345 degrees west longitude. South Pole imaged in 25 colors, using NIMS downlink wavelength table JFT25A.</p>					
Data Returned					
Design Detail					
<p>Short map, Nyquist sampled observation of 4 X 2 (40 X 18 mrad) area centered on South Pole at 345 degrees west longitude, 65 degrees south latitude. Spacecraft distance about 0.75 million KM, NIMS IFOV (NIMSel) = 375 KM. 4 X 2 mosaic covers 30000 X 13500 KM, covering more than 30 degrees of longitude in the polar region. About 750 seconds = 12:30 of scanning, including 10 seconds for a reposition slew, accumulating 0.6737 MBTG in 19 colors, and using 0.0252 tracks. Target time is four rims.</p>					
Short Map (SM), Gain 2, Grating Start 1, LPU, C9JFT68C, C9JFT68C					
Galileo Activity Plan Form			06/09/97	10:29:43	rev 6/95



165EN:TT= 0 TMC= 1 C= -2.50 XC= 0.00 BS= 0/7204 TC= 1(-23 69)
 A= 728 pD= 0 SR=17.450 RA50=351.54 DEC50= -5.33 cone=149.93 clock=282.21
 117EN:#SB= 1 OR= 0.200 RR=12.000 BM=F RC= 1 BS= 0/7204
 1:#s= 1 Cs= 41.00 XCs= 0.00 Cr= 0.00 XCr= 0.00 sD= 600 rD= 2

C9JNGRS03901

TARGET G3.1 jdods: 6/ 3/1997 15: 7: 4

FILE:P.C9JNGRS03901

CENTRAL BODY:JUPITER

MINI:m.target

S/C EPH:/DATA/NAVIO/T-970513-tour.NS

PERIAPSIS:

START:JEE 97-178/11:57:33.466 +CDS 308:00:0

OBSERVATION:C9JNGRS03901

THINNING:NIM 1

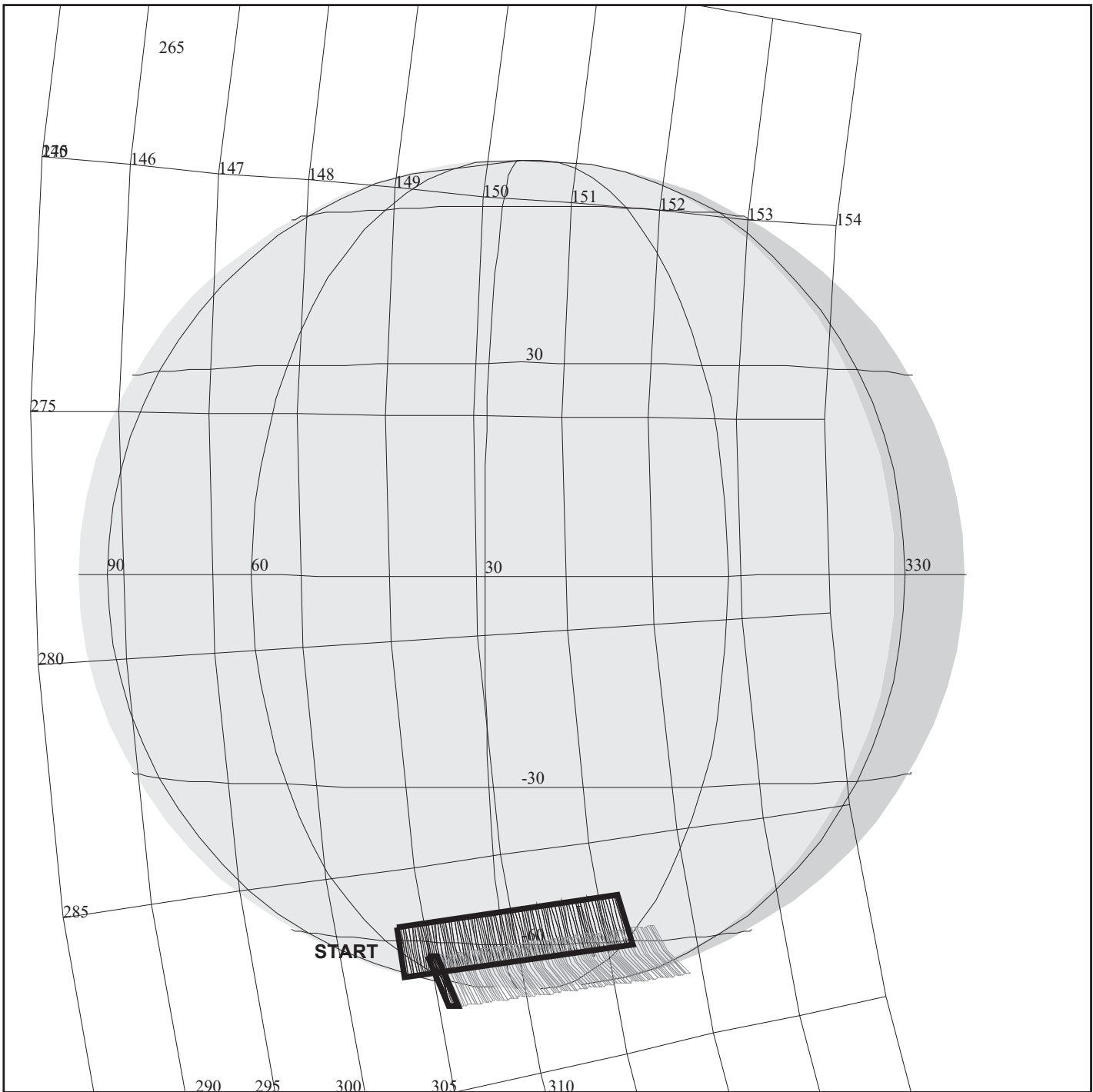
BODY PLOT TIME:TARGET-TIME D= 0 S= 0.850

DESCRIP:JUP_GREAT_RED_SPOT_39_DEG_01

Jupiter Great Red Spot 39 degrees prt 1		ACTIVITY ID:	C9JNGRS03901-		
		START TIME:	97-178/17:03:55.466		
Activity ID: Orbit C9 Target J Inst N OAPEL GRS039 SeqNo 01 -					
Title	Jupiter Great Red Spot 39 degrees prt 1 Instrument				NIMS
Requestor	NIMS-AWG/K. BAINES		Team	NIMS Working Group	AWG
Time System	CDS	Load ID	Calendar Date	06/27/97	Week 26
Start	JEE+CDS	00000303:00:0	97-178/17:03:55.466	JEE+000/05:06:22.000	
End	JEE+CDS	00000312:00:0	97-178/17:13:01.466	JEE+000/05:15:28.000	
Duration		00000009:00:0	000/00:09:06.000	000/00:09:06.000	
Top Label	C9JNGRS03901-				
Bottom Label					
Plot Key	NIMS	Type	SCI		
CDS Bytes	150	Report Options	BOTH	Scan Platform	Yes
CDS Source	OAP	Spin State	DUAL	DMS	Yes
Observation Objective					
<p>One of 14 OAPELS constituting the Great Red Spot feature tracks. This is the first of three observations obtained on a rotation with phase angle approximately 39 degrees. Jupiter imaged in 25 colors, using NIMS downlink wavelength table JFT25A. This observation acquired with the Great Red Spot near the morning limb, assuming feature coordinates 23 degrees south latitude (planetographic) and 69 degrees west longitude (System III).</p>					
Data Returned					
Design Detail					
<p>Short map, Nyquist-sampled observation of 2 X 1 (20 X 10 mrad) area centered on the heart of the GRS near 69 degrees west longitude, 23 degrees south planetographic latitude. Spacecraft distance 0.78 million KM, NIMS IFOV (NIMSel) = 390 KM; 1 X 2 mosaic covers 15600 X 7800 KM. About 200 seconds of scanning, accumulating 0.1797 MBTG in 19 colors, and using 0.00672 tracks. Four rims reserved for targetting.</p>					
<p>Note (5/6/97): GRS center longitude updated to 62 degrees West longitude. This limb observation observes 35-77 degrees W. longitude.</p>					
<p>NOTE 5/15/97: Scan rate increased to encompass 4 X 1 area, in order to acquire the eastern side of the GRS including some of the interaction between the colliding small white oval and GRS.</p>					
Short Map (SM), Gain 2, Grating Start 1, LPU, C9JFT68C, C9JFT68C					
Galileo Activity Plan Form			06/09/97	10:29:43	rev 6/95

This page BLANK

NIMS Real-Time Software Reload		ACTIVITY ID: C9NNRELOAD05-	
		START TIME: 97-178/17:55:29.466	
Activity ID: Orbit C9 Target N Inst N OAPEL RELOAD SeqNo 05 -			
Title	NIMS Real-Time Software Reload		Instrument
Requestor	NIMS-AWG/K. BAINES	Team	NIMS Working Group
			NIMS AWG
Time System	CDS	Load ID	Calendar Date 06/27/97 Week 26
Start	JEE+CDS 00000354:00:0	97-178/17:55:29.466	JEE+000/05:57:56.000
End	JEE+CDS 00000364:00:0	97-178/18:05:36.132	JEE+000/06:08:02.666
Duration	00000010:00:0	000/00:10:06.666	000/00:10:06.666
Top Label	C9NNRELOAD05-		
Bottom Label			
Plot Key	NIMS	Type	SCI
CDS Bytes	150	Report Options	BOTH
CDS Source	OAP	Spin State	DUAL
			Scan Platform
			DMS
			No
			No
Observation Objective			
<p>Reload NIMS software to prevent loss of science observations. These loads are placed strtegeticaly to protect high priority science.</p> <p>Memory reload from CDS to NIMS and restart. Diagnostic Checksum, Processor Halt, Memory Reload from CDS, Instrument Restart, and Operational Mode Set.</p>			
Design Detail			
<p>Use a standard set of commands to halt the instrument, load the software and reinitialize the instrument.</p> <p>6CKSUM - Check Sum NIMS RAM 1000 - 14BC 37PL - Halt NIMS Processor (37PL) 37MRL - Memory Reallocate 6MCPY - Copy flight software from CDS to NIMS 1000 6MCPY - Copy flight software from CDS to NIMS 1598 37IRT - Instrument Reset 37MN - Memory Normal 37IST - Chopper Reference.</p>			
Galileo Activity Plan Form		06/09/97 10:29:43 rev 6/95	



C9JNSPOLEM06

165EO:TT= 0 TMC=1 C= -20.00 XC= -5.00 BS= 0/8306 TC= 1(-65 30)
 A= 728 pD= 0 SR=17.450 RA50=353.42 DEC50= -7.18 cone=148.72 clock=286.78
 117EO:#SB= 1 OR= 0.100 RR=12.000 BM=F RC= 1 BS= 0/8306
 1:#s= 2 Cs= 40.00 XCs= 0.00 Cr= -40.00 XCr= 6.00 sD= 1104 rD= 40

TARGET G3.1 jdods: 6/ 3/1997 15: 7: 4

FILE:P.C9JNSPOLEM06

CENTRAL BODY:JUPITER

MINI:m.target

S/C EPH:/DATA/NAVIO/T-970513-tour.NS

PERIAPSIS:

THINNING:NIM 2

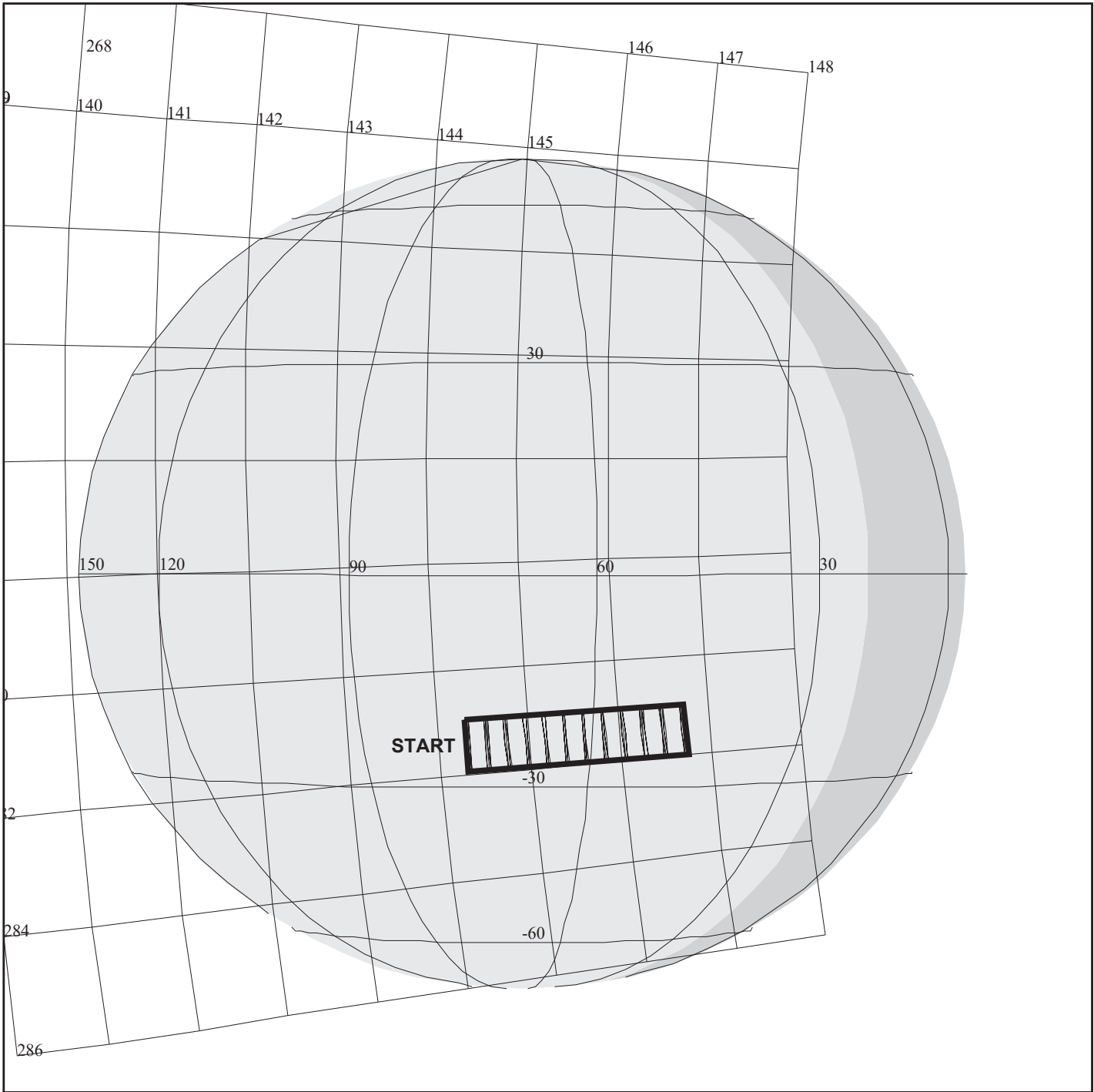
START:JEE 97-178/11:57:33.466 +CDS 369:00:0

BODY PLOT TIME:TARGET-TIME D= 0 S= 0.850

OBSERVATION:C9JNSPOLEM06

DESCRIP:JUPITER_SOUTH_POLE_MAP_06

Jupiter South Pole Map part 6		ACTIVITY ID:	C9JNSPOLEM06-		
		START TIME:	97-178/18:05:36.132		
Activity ID: Orbit C9 Target J Inst N OAPEL SPOLEM SeqNo 06 -					
Title	Jupiter South Pole Map part 6		Instrument		NIMS
Requestor	NIMS-AWG/K. BAINES		Team	NIMS Working Group	AWG
Time System	CDS	Load ID	Calendar Date	06/27/97	Week 26
Start	JEE+CDS	00000364:00:0	97-178/18:05:36.132	JEE+000/06:08:02.666	
End	JEE+CDS	00000383:00:0	97-178/18:24:48.799	JEE+000/06:27:15.333	
Duration		00000019:00:0	000/00:19:12.667	000/00:19:12.667	
Top Label	C9JNSPOLEM06-				
Bottom Label					
Plot Key	NIMS	Type	SCI		
CDS Bytes	150	Report Options	BOTH		
CDS Source	OAP	Spin State	DUAL	Scan Platform	Yes
			DMS		Yes
Observation Objective					
<p>Third of four maps of the South Polar region, examining haze vertical and spatial structure over all longitudes at South Polar latitudes. Observation obtained with minimum-airmass longitude near 30 degrees west longitude. South Pole imaged in 25 colors, using NIMS downlink wavelength table JFT25A.</p>					
Data Returned					
Design Detail					
<p>Short map, Nyquist sampled observation of 4 X 2 (40 X 18 mrad) area centered on South Pole at 30 degrees west longitude, 65 degrees south latitude. Spacecraft distance about 0.75 million KM, NIMS IFOV (NIMSel) = 375 KM. 4 X 2 mosaic covers 30000 X 13500 KM, covering more than 30 degrees of longitude in the polar region. About 750 seconds = 6:30 of scanning, including 10 seconds for a reposition slew, accumulating 0.6737 MBTG in 19 colors, and using 0.0252 tracks. Target time is four rims.</p>					
Short Map (SM), Gain 2, Grating Start 1, LPU, C9JFT68C, C9JFT68C					
Galileo Activity Plan Form			06/09/97	10:29:43	rev 6/95



C9JNGRSFUL01

165ET:TT= 0 TMC= 1 C= -14.00 XC= 0.00 BS= 0/2866 TC= 1(-23 69)
 A= 182 pD= 0 SR=17.450 RA50=356.87 DEC50= -2.93 cone=144.11 clock=281.44
 118ET:#SB= 1 Cs= 3.55 XCs= 0.00 TPP= 104 SR= 3.000 RR=12.000 BM=F RC= 1 BS= 0/2866
 1:#s= 13 #p= 1 Cr= 3.55 XCr= 0.00

TARGET G3.1 jdods: 6/ 3/1997 15: 7: 4

FILE:P.C9JNGRSFUL01

CENTRAL BODY:JUPITER

MINI:m.target

S/C EPH:/DATA/NAVIO/T-970513-tour.NS

PERIAPSIS:

THINNING:NIM 1

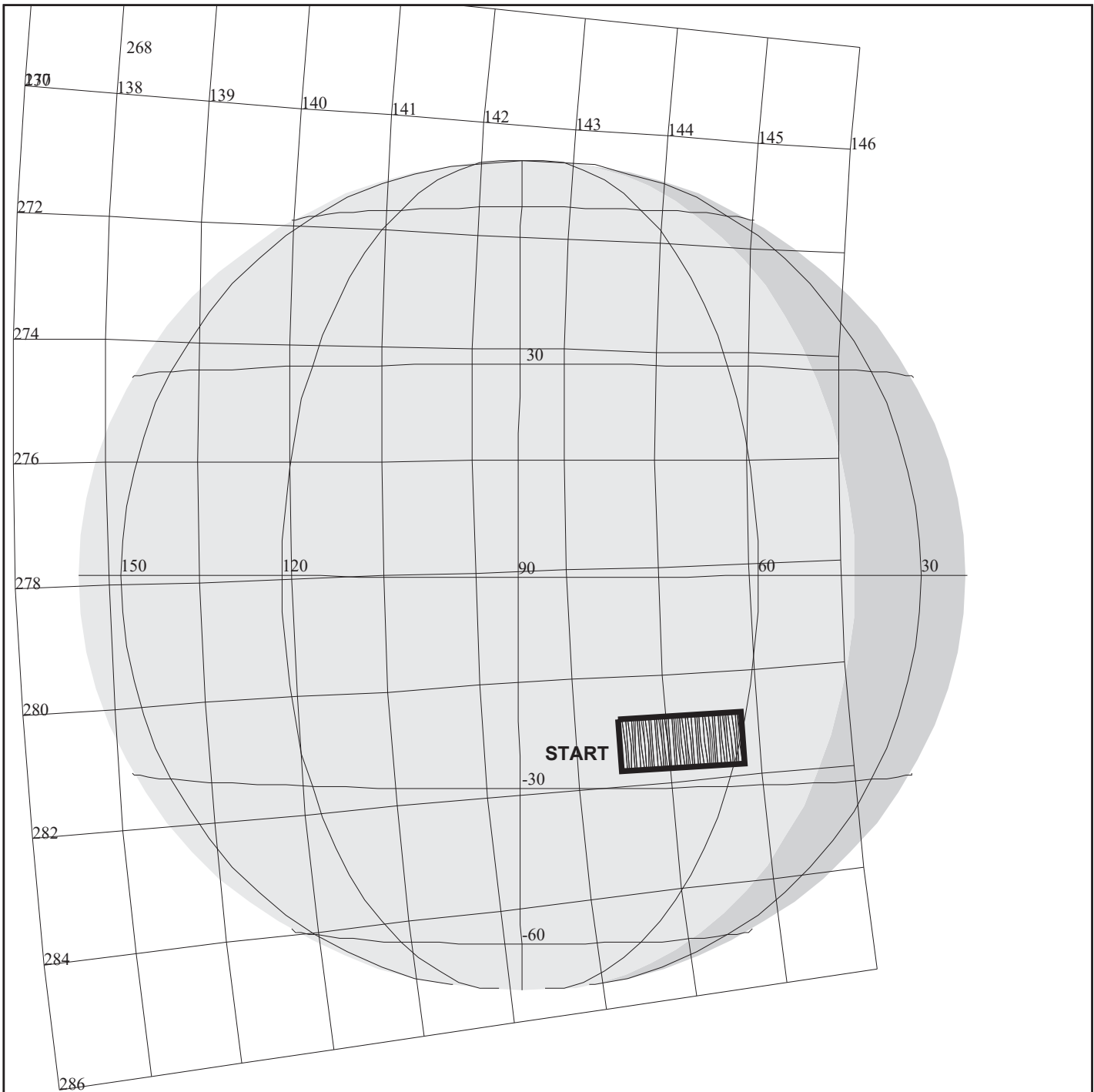
START:JEE 97-178/11:57:33.466 +CDS 449:00:0

BODY PLOT TIME:TARGET-TIME D= 0 S= 0.850

OBSERVATION:C9JNGRSFUL01

DESCRIP:JUPITER_FTR_TRK_FULL_SPECTRA

Jupiter Great Red Spot Full-Spectra		ACTIVITY ID:	C9JNGRSFUL01-		
		START TIME:	97-178/19:27:30.132		
Activity ID: Orbit C9 Target J Inst N OAPEL GRSFUL SeqNo 01 -					
Title	Jupiter Great Red Spot Full-Spectra		Instrument		NIMS
Requestor	NIMS-AWG/K. BAINES		Team	NIMS Working Group	AWG
Time System	CDS	Load ID	Calendar Date	06/27/97	Week 26
Start	JEE+CDS	00000445:00:0	97-178/19:27:30.132	JEE+000/07:29:56.666	
End	JEE+CDS	00000456:00:0	97-178/19:38:37.466	JEE+000/07:41:04.000	
Duration		00000011:00:0	000/00:11:07.334	000/00:11:07.334	
Top Label	C9JNGRSFUL01-				
Bottom Label					
Plot Key	NIMS	Type	SCI		
CDS Bytes	150	Report Options	BOTH		
CDS Source	OAP	Spin State	DUAL	Scan Platform	Yes
			DMS		Yes
Observation Objective					
<p>Full Long-map spectrum in 408 wavelengths of 12 selected regions within the Great Red Spot 2 X 1 territory. The GRS campaign feature, centered at 69 degrees west longitude (System III), 23 degrees south planetographic latitude, observed near the central meridian during the phase angle approximately 39 degrees rotation. The feature is scanned in 253 wavelengths specified by NIMS wavelength table JFE253A: 0.695 - 5.22 microns.</p>					
Data Returned					
Design Detail					
<p>Long map, full spectral observation of 12 selected NIMS columns evenly spaced about the center of the 2 X 1 GRS campaign feature. At each site, 4 long map spectra are acquired, lasting 34.6667 seconds. Spacecraft distance 0.75 million KM, each column covers 375 X 7500 KM at 375 IFOV resolution. About 436.667 seconds of start/stop scanning, including 3 seconds of repositioning between each of the 12 sites, accumulating 2.09237 MBTG and using 0.0550 tracks. One rim reserved for targetting.</p>					
<p>Note (5/6/97): GRS center longitude updated to 62 degrees west longitude. This observation obtains spectra sampling longitude from 55 to 83 degrees longitude.</p>					
Long Map (LM), Gain 2, Grating Start 0, MPW, C9JFE442A, C9JFE360A					
Galileo Activity Plan Form			06/09/97	10:29:43	rev 6/95



C9JNGRS03902

165EU:TT= 0 TMC= 1 C= -11.25 XC= 0.00 BS= 0/9782 TC= 1(-23 69)
 A= 182 pD= 0 SR=17.450 RA50=357.43 DEC50= -2.60 cone=143.48 clock=281.26
 117EU:#SB= 1 OR= 0.100 RR=12.000 BM=F RC= 1 BS= 0/9782
 1:#s= 1 Cs= 21.80 XCs= 0.00 Cr= 0.00 XCr= 0.00 sD= 600 rD= 2

TARGET G3.1 jdods: 6/ 3/1997 15: 7: 4

FILE:P.C9JNGRS03902

CENTRAL BODY:JUPITER

MINI:m.target

S/C EPH:/DATA/NAVIO/T-970513-tour.NS

PERIAPSIS:

THINNING:NIM 2

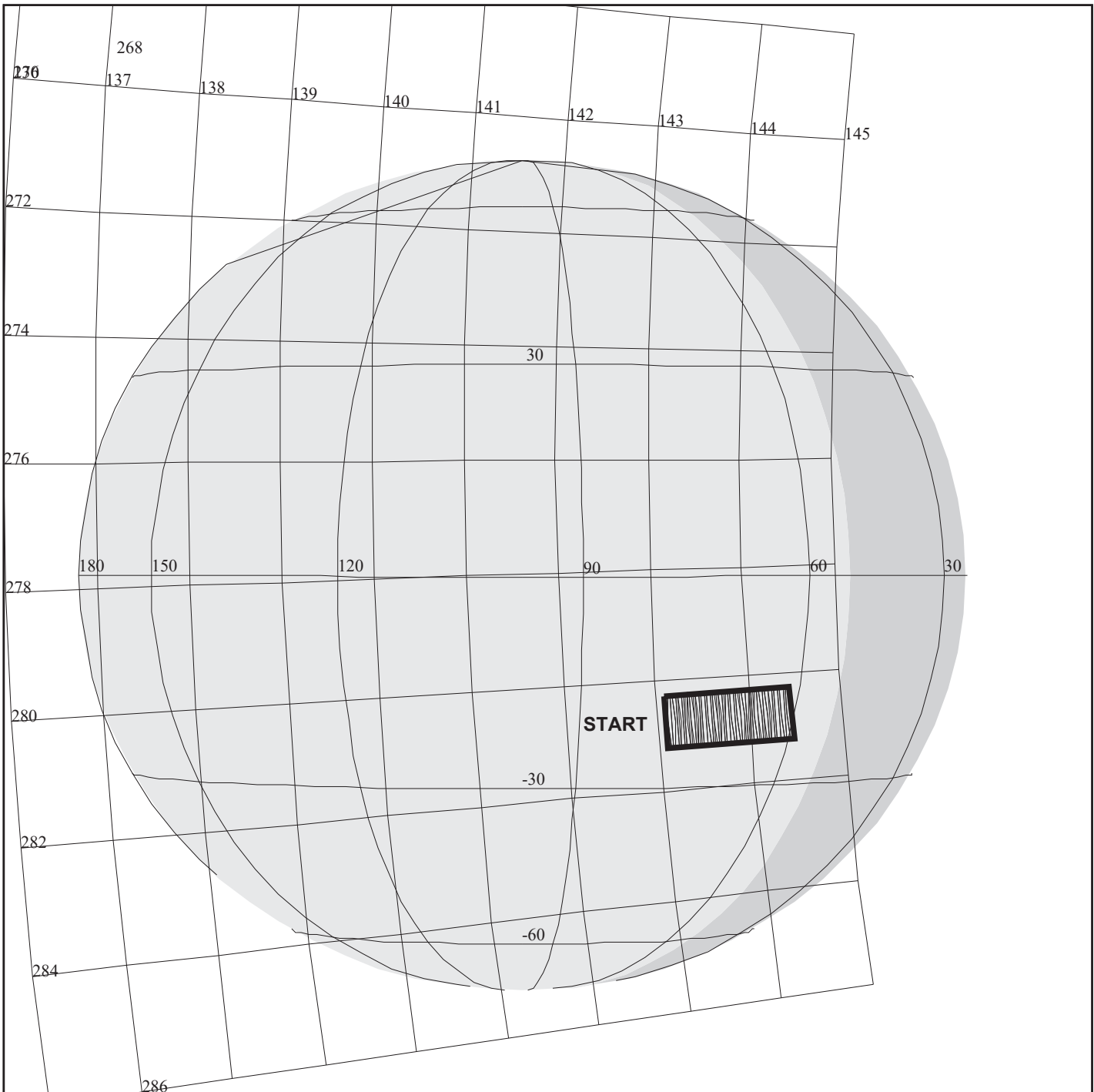
START:JEE 97-178/11:57:33.466 +CDS 487:00:0

BODY PLOT TIME:TARGET-TIME D= 0 S= 0.850

OBSERVATION:C9JNGRS03902

DESCRIP:JUP_GREAT_RED_SPOT_39_DEG_02

Jupiter Great Red Spot 39 degrees prt 2		ACTIVITY ID:	C9JNGRS03902-		
		START TIME:	97-178/20:07:56.799		
Activity ID: Orbit C9 Target J Inst N OAPEL GRS039 SeqNo 02 -					
Title	Jupiter Great Red Spot 39 degrees prt 2 Instrument				NIMS
Requestor	NIMS-AWG/K. BAINES		Team	NIMS Working Group	AWG
Time System	CDS	Load ID	Calendar Date	06/27/97	Week 26
Start	JEE+CDS	00000485:00:0	97-178/20:07:56.799	JEE+000/08:10:23.333	
End	JEE+CDS	00000491:00:0	97-178/20:14:00.799	JEE+000/08:16:27.333	
Duration		00000006:00:0	000/00:06:04.000	000/00:06:04.000	
Top Label	C9JNGRS03902-				
Bottom Label					
Plot Key	NIMS	Type	SCI		
CDS Bytes	150	Report Options	BOTH	Scan Platform	Yes
CDS Source	OAP	Spin State	DUAL	DMS	Yes
Observation Objective					
<p>One of 14 OAPELS constituting the Great Red Spot feature tracks. This is the second of three observations obtained on a rotation with phase angle approximately 39 degrees. Jupiter imaged in 25 colors, using NIMS downlink wavelength table JFT25A. This observation acquired with the Great Red Spot near 21 degrees relative longitude, assuming feature coordinates 23 degrees south latitude (planetographic) and 69 degrees west longitude (System III)</p>					
Data Returned					
Design Detail					
<p>Short map, Nyquist-sampled observation of 2 X 1 (20 X 10 mrad) area centered on the heart of the GRS near 69 degrees west longitude, 23 degrees south planetographic latitude. Spacecraft distance 0.77 million KM, NIMS IFOV (NIMSel) = 385 KM; 2 X 1 mosaic covers 15400 X 7700 KM. About 200 seconds of scanning, accumulating 0.1797 MBTG in 19 colors, and using 0.00672 tracks. One rim reserved for targetting.</p>					
<p>Note (5/6/97): GRS center longitude updated to 62 degrees west longitude. This observation covers 60 to 77 degrees longitude, i.e., Western half of the GRS.</p>					
Short Map (SM), Gain 2, Grating Start 1, LPU, C9JFT68C, C9JFT68C					
Galileo Activity Plan Form			06/09/97	10:29:43	rev 6/95



C9JNGRS03903

165EV:TT= 0 TMC= 1 C= -12.00 XC= -4.50 BS= 0/2330 TC= 1(-23 69)
 A= 728 pD= 0 SR=17.450 RA50=357.68 DEC50= -2.18 cone=143.09 clock=280.75
 117EV:#SB= 1 OR= 0.100 RR=12.000 BM=F RC= 1 BS= 0/2330
 1:#s= 2 Cs= 21.80 XCs= 0.00 Cr= -23.00 XCr= 8.00 sD= 600 rD= 40

TARGET G3.1 jdods: 6/ 3/1997 15: 7: 4

FILE:P.C9JNGRS03903

CENTRAL BODY:JUPITER

MINI:m.target

S/C EPH:/DATA/NAVIO/T-970513-tour.NS

PERIAPSIS:

THINNING:NIM 2

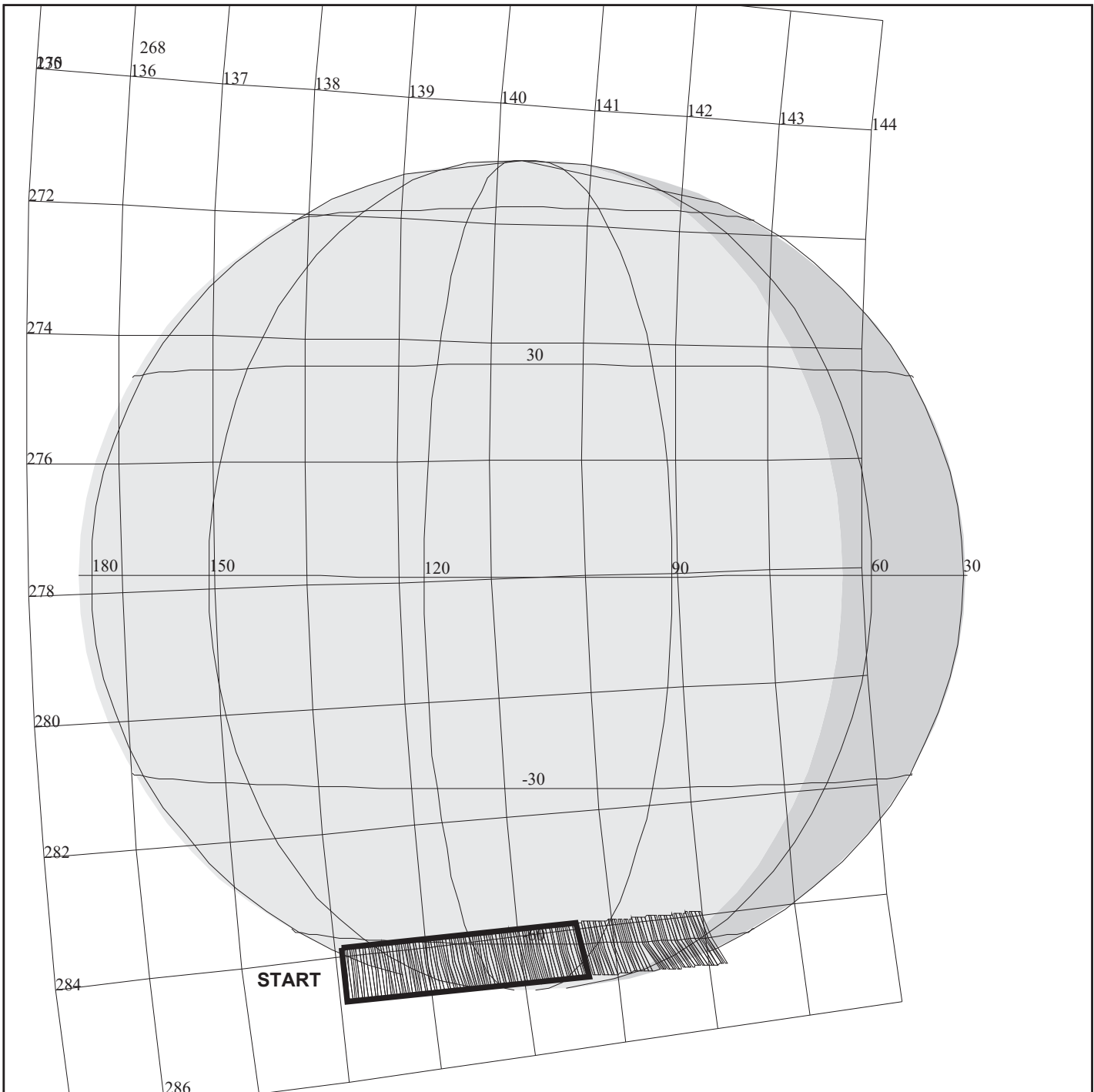
START:JEE 97-178/11:57:33.466 +CDS 501:00:0

BODY PLOT TIME:TARGET-TIME D= 0 S= 0.850

OBSERVATION:C9JNGRS03903

DESCRIP:JUP_GREAT_RED_SPOT_39_DEG_03

Jupiter Great Red Spot 39 degrees prt 3		ACTIVITY ID:	C9JNGRS03903-		
		START TIME:	97-178/20:19:04.132		
Activity ID: Orbit C9 Target J Inst N OAPEL GRS039 SeqNo 03 -					
Title	Jupiter Great Red Spot 39 degrees prt 3 Instrument				NIMS
Requestor	NIMS-AWG/K. BAINES		Team	NIMS Working Group	AWG
Time System	CDS	Load ID	Calendar Date	06/27/97	Week 26
Start	JEE+CDS	00000496:00:0	97-178/20:19:04.132	JEE+000/08:21:30.666	
End	JEE+CDS	00000508:00:0	97-178/20:31:12.132	JEE+000/08:33:38.666	
Duration		00000012:00:0	000/00:12:08.000	000/00:12:08.000	
Top Label	C9JNGRS03903-				
Bottom Label					
Plot Key	NIMS	Type	SCI		
CDS Bytes	150	Report Options	BOTH	Scan Platform	Yes
CDS Source	OAP	Spin State	DUAL	DMS	Yes
Observation Objective					
<p>One of 14 OAPELS constituting the Great Red Spot feature tracks. This is the third of three observations obtained on a rotation with phase angle approximately 39 degrees. Jupiter imaged in 25 colors, using NIMS downlink wavelength table JFT25A. This observation acquired with the Great Red Spot near 30 degrees relative longitude, assuming feature coordinates 23 degrees south latitude (planetographic) and 69 degrees west longitude (System III)</p>					
Data Returned					
Design Detail					
<p>Short map, Nyquist-sampled observation of 2 X 2 (20 X 18 mrad) area centered on the heart of the GRS near 69 degrees west longitude, 23 degrees south planetographic latitude. Spacecraft distance 0.78 million KM, NIMS IFOV (NIMSel) = 390 KM; 2 X 2 mosaic covers 15600 X 14040 KM. About 420 seconds of scanning, including 20 seconds for reposition slew, accumulating 0.3773 MBTG in 19 colors, and using 0.01073 tracks. Four rims reserved for targetting.</p> <p>Note (5/6/97): GRS center longitude updated to 62 degrees west longitude. This observation covers 57 to 78 degrees W. longitude, i.e., Western half of the GRS.</p> <p>Only top swath recorded and returned.</p>					
Short Map (SM), Gain 2, Grating Start 1, LPU, C9JFT68C, C9JFT68C					
Galileo Activity Plan Form			06/09/97	10:29:43	rev 6/95



C9JNSPOLEM08

165EX:TT= 0 TMC= 1 C= -39.00 XC= -2.00 BS= 0/5970 TC= 1(-65 100)
 A= 182 pD= 0 SR=17.450 RA50= 3.15 DEC50= -2.57 cone=138.09 clock=284.28
 117EX:#SB= 1 OR= 0.100 RR=12.000 BM=F RC= 1 BS= 0/5970
 1:#s= 1 Cs= 61.00 XCs= 0.00 Cr= -67.00 XCr= 7.00 sD= 1678 rD= 40

TARGET G3.1 jdods: 6/ 3/1997 15: 7: 4

FILE:P.C9JNSPOLEM08

CENTRAL BODY:JUPITER

MINI:m.target

S/C EPH:/DATA/NAVIO/T-970513-tour.NS

PERIAPSIS:

THINNING:NIM 2

START:JEE 97-178/11:57:33.466 +CDS 521:00:0

BODY PLOT TIME:TARGET-TIME D= 0 S= 0.850

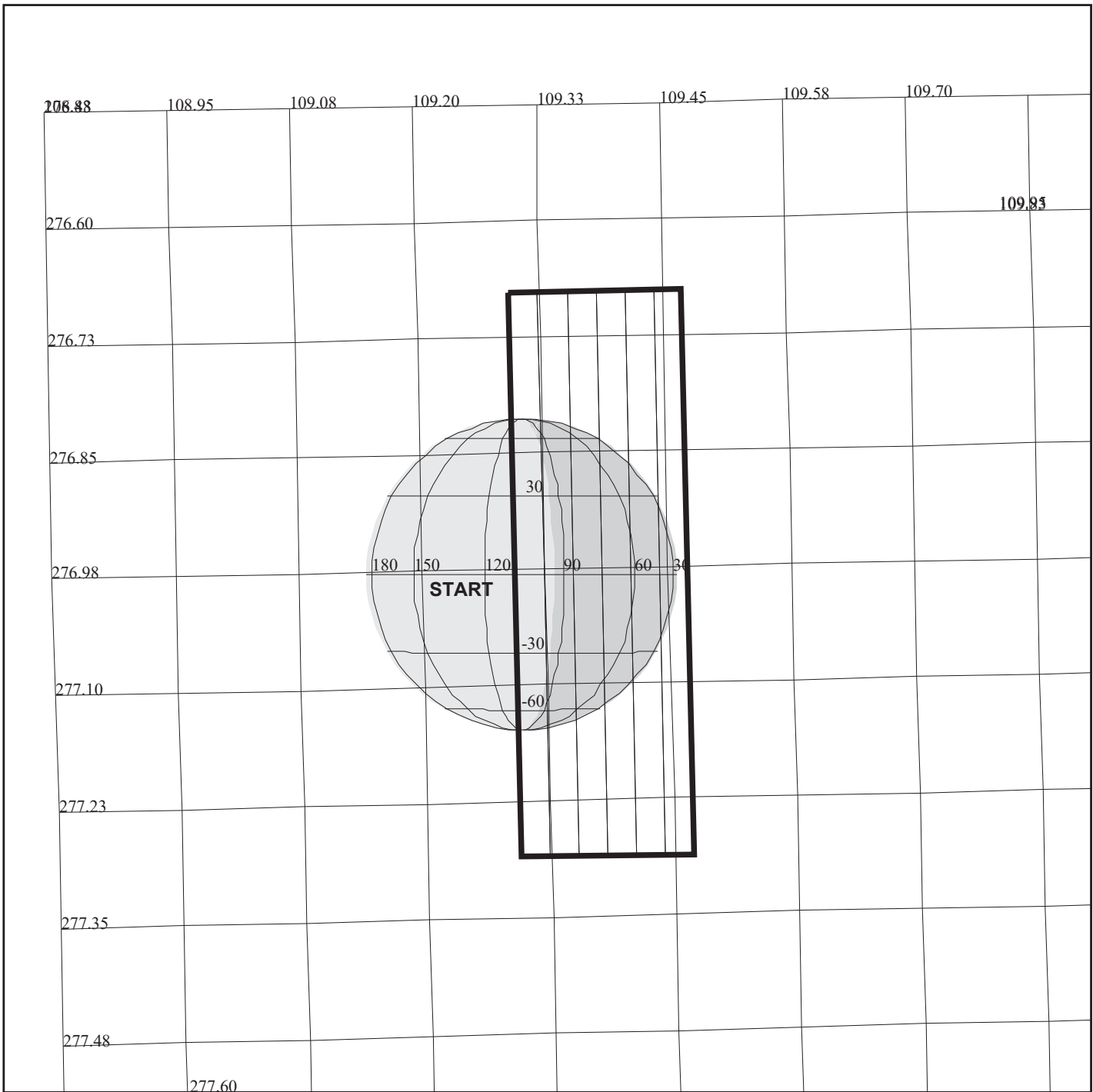
OBSERVATION:C9JNSPOLEM08

DESCRIP:JUPITER_SOUTH_POLE_MAP_08

Jupiter South Pole Map part 8		ACTIVITY ID:	C9JNSPOLEM08-		
		START TIME:	97-178/20:41:18.799		
Activity ID: Orbit C9 Target J Inst N OAPEL SPOLEM SeqNo 08 -					
Title	Jupiter South Pole Map part 8		Instrument		NIMS
Requestor	NIMS-AWG/K. BAINES		Team	NIMS Working Group	AWG
Time System	CDS	Load ID	Calendar Date	06/27/97	Week 26
Start	JEE+CDS	00000518:00:0	97-178/20:41:18.799	JEE+000/08:43:45.333	
End	JEE+CDS	00000531:00:0	97-178/20:54:27.466	JEE+000/08:56:54.000	
Duration		00000013:00:0	000/00:13:08.667	000/00:13:08.667	
Top Label	C9JNSPOLEM08-				
Bottom Label					
Plot Key	NIMS	Type	SCI		
CDS Bytes	150	Report Options	BOTH		
CDS Source	OAP	Spin State	DUAL	Scan Platform	Yes
			DMS		Yes
Observation Objective					
<p>Fourth of four maps of the South Polar region, examining haze vertical and spatial structure over all longitudes at South Polar latitudes. Observation obtained with minimum-airmass longitude near 100 degrees west longitude. South Pole imaged in 25 colors, using NIMS downlink wavelength table JFT25A.</p>					
Data Returned					
Design Detail					
<p>Short map, Nyquist sampled observation of 6 X 2 (60 X 18 mrad) area centered on South Pole at 100 degrees west longitude, 65 degrees south latitude. Spacecraft distance about 0.78 million KM, NIMS IFOV (NIMSel) = 390 KM. 6 X 2 mosaic covers 46800 X 140400KM, covering more than 50 degrees of longitude in the polar region. About 1140 seconds = 19:30 of scanning, including 10 seconds for a reposition slew, accumulating 1.024 MBTG in 19 colors, and using 0.0252 tracks. Target time is one rim.</p>					
<p>Note: Original tape and MBTG resources of SPOLE07 combined with SPOLE08 to save CDS bytes.</p>					
Short Map (SM), Gain 2, Grating Start 1, LPU, C9JFT68C, C9JFT68C					
Galileo Activity Plan Form			06/09/97	10:29:43	rev 6/95

This page BLANK

NIMS Real-Time Software Reload		ACTIVITY ID: C9NNRELOAD06-	
		START TIME: 97-178/21:16:42.133	
Activity ID: Orbit C9 Target N Inst N OAPEL RELOAD SeqNo 06 -			
Title	NIMS Real-Time Software Reload		Instrument
Requestor	NIMS-SWG/R.	Team	NIMS Working Group
			NIMS SWG
Time System	CDS	Load ID	Calendar Date 06/27/97 Week 26
Start	IEE-CDS 00000311:00:0	97-178/21:16:42.133	IEE-000/05:14:27.333
End	IEE-CDS 00000301:00:0	97-178/21:26:48.800	IEE-000/05:04:20.666
Duration	00000010:00:0	000/00:10:06.667	000/00:10:06.667
Top Label	C9NNRELOAD06-		
Bottom Label			
Plot Key	NIMS	Type	SCI
CDS Bytes	150	Report Options	BOTH
CDS Source	OAP	Spin State	DUAL
		Scan Platform	No
		DMS	No
Observation Objective			
<p>Reload NIMS software to prevent loss of science observations. These loads are placed strtegeticaly to protect high priority science.</p> <p>Memory reload from CDS to NIMS and restart. Diagnostic Checksum, Processor Halt, Memory Reload from CDS, Instrument Restart, and Operational Mode Set.</p>			
Design Detail			
<p>Use a standard set of commands to halt the instrument, load the software and reinitialize the instrument.</p> <p>6CKSUM - Check Sum NIMS RAM 1000 - 14BC 37PL - Halt NIMS Processor (37PL) 37MRL - Memory Reallocate 6MCPY - Copy flight software from CDS to NIMS 1000 6MCPY - Copy flight software from CDS to NIMS 1598 37IRT - Instrument Reset 37MN - Memory Normal 37IST - Chopper Reference.</p>			
Galileo Activity Plan Form		06/09/97 10:29:44 rev 6/95	



C9INVOLCAN01

165EZ:TT= 0 TMC= 1 C= 0.00 XC= 0.00 BS= 0/5434 TC= 3
 A= 708 pD= 0 SR=17.450 RA50= 28.16 DEC50= 13.16 cone=109.30 clock=276.98
 117EZ:#SB= 1 OR= 0.020 RR=12.000 BM=F RC= 1 BS= 0/5434
 1:#s= 1 Cs= 1.80 XCs= 0.00 Cr= 0.00 XCr= 0.00 sD= 280 rD= 2

TARGET G3.1 jdods: 6/ 3/1997 15: 7: 4

FILE:P.C9INVOLCAN01

TARGET BODY : IO

MINI:m.target

S/C EPH:/DATA/NAVIO/T-970513-tour.NS

PERIAPSIS:

THINNING:NIM 2

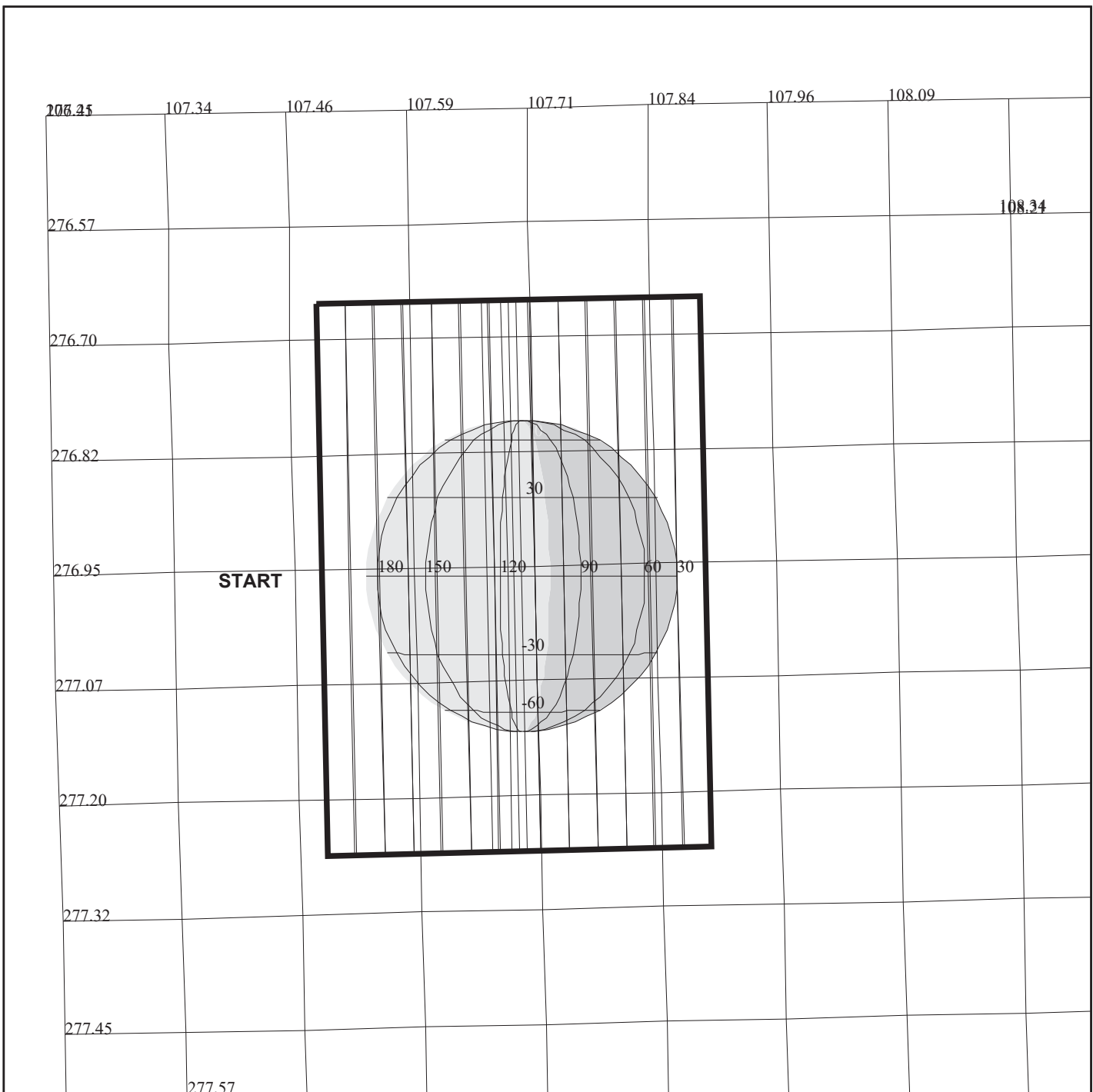
START:IEE 97-179/02:31:09.466 -CDS 291:00:0

BODY PLOT TIME:TARGET-TIME D= 0 S= 0.300

OBSERVATION:C9INVOLCAN01

DESCRIP:Io Volcan 1

Monitoring of Selected Volcanic Regions		ACTIVITY ID:	C9INVOLCAN01-		
		START TIME:	97-178/21:31:52.133		
Activity ID: Orbit C9 Target I Inst N OAPEL VOLCAN SeqNo 01 -					
Title	Monitoring of Selected Volcanic Regions Instrument			NIMS	
Requestor	NIMS-SWG/R.		Team	NIMS Working Group	SWG
Time System	CDS	Load ID	Calendar Date	06/27/97	Week 26
Start	IEE-CDS	00000296:00:0	97-178/21:31:52.133	IEE-000/04:59:17.333	
End	IEE-CDS	00000289:00:0	97-178/21:38:56.800	IEE-000/04:52:12.666	
Duration		00000007:00:0	000/00:07:04.667	000/00:07:04.667	
Top Label	C9INVOLCAN01-				
Bottom Label					
Plot Key	NIMS	Type	SCI		
CDS Bytes	150	Report Options	BOTH	Scan Platform	Yes
CDS Source	OAP	Spin State	DUAL	DMS	Yes
Observation Objective					
To monitor time variations in activity of selected regions (Loki, Pelee, Kanehekili) using selected wavelengths.					
Data Returned					
Design Detail					
Long Map, 8 wavelengths, 30 secs duration (or less). Orbit 7 is high priority for Loki region, will be seen at the best nightside resolution (278 km). ~ 5 observations per orbit. Tracks: 0.005 per observation.					
Locations of features: Kanehekili (-10 d. lat. +40 d. long.) Pelee (-20 d. lat. -255 d. long.) Loki (+12 d. lat. 310 d. long.)					
Long Map (LM), Gain 4, Grating Start 0, LPU, C9ILMDK243C, C9ILMDK228D					
Galileo Activity Plan Form			06/09/97	10:29:44	rev 6/95



C9INCHEMIS03

165FB:TT= 0 TMC= 1 C= -3.50 XC= 0.00 BS= 0/5262 TC= 3
 A= 728 pD= 756 SR=17.450 RA50= 29.89 DEC50= 13.82 cone=107.50 clock=276.96
 117FB:#SB= 1 OR= 0.030 RR=12.000 BM=F RC= 1 BS= 0/5262
 1:#s= 2 Cs= 3.60 XCs= 0.00 Cr= -0.50 XCr= 0.00 sD= 364 rD= 28

TARGET G3.1 jdods: 6/ 3/1997 15: 7: 4

FILE:P.C9INCHEMIS03

TARGET BODY : IO

MINI:m.target

S/C EPH:/DATA/NAVIO/T-970513-tour.NS

PERIAPSIS:

THINNING:NIM 2

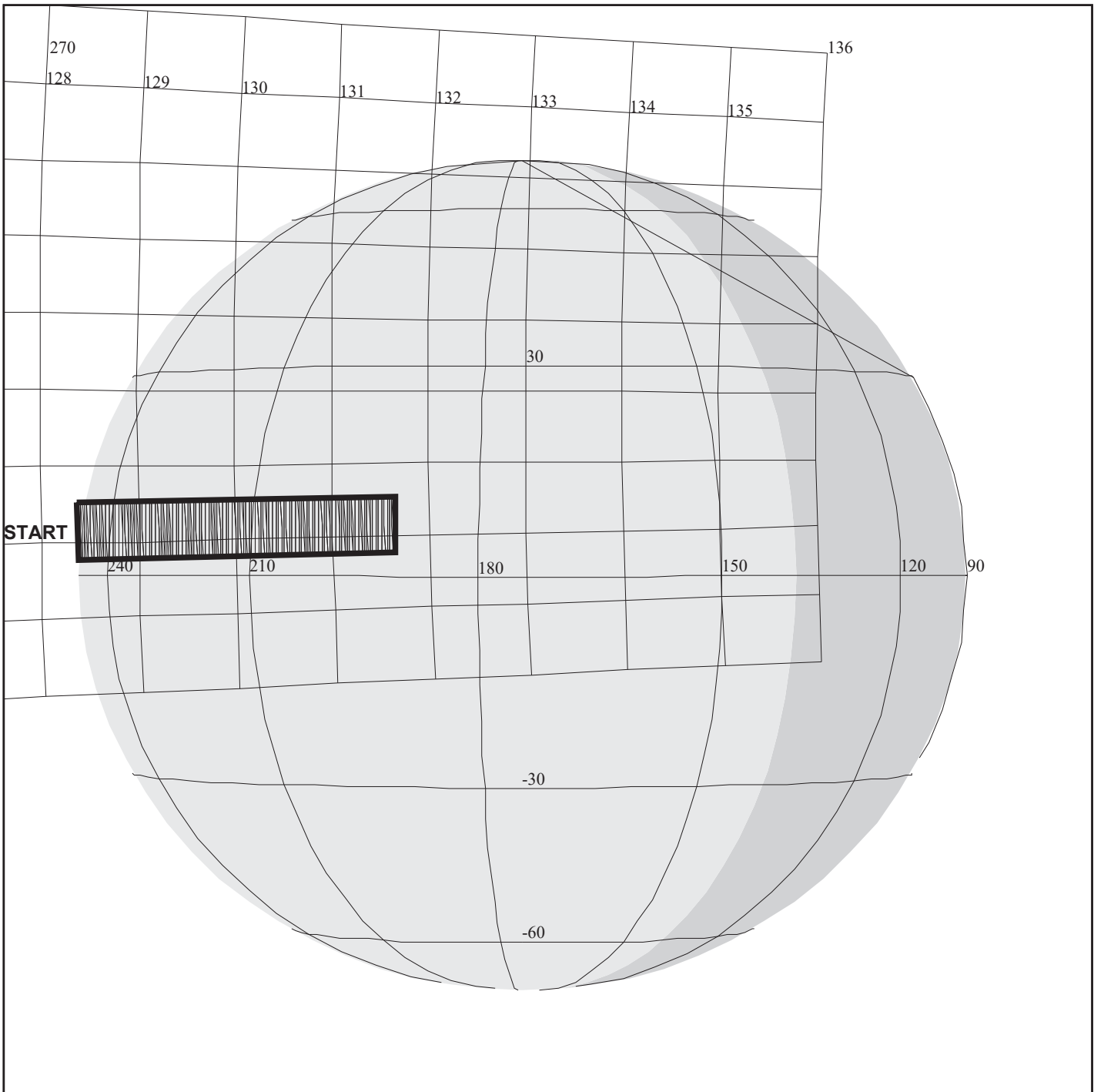
START:IEE 97-179/02:31:09.466 -CDS 237:00:0

BODY PLOT TIME:TARGET-TIME D= 756 S= 0.300

OBSERVATION:C9INCHEMIS03

DESCRIP:lo Chemis 3

Monitoring of Io's Dayside		ACTIVITY ID:	C9INCHEMIS03-		
		START TIME:	97-178/22:26:28.133		
Activity ID: Orbit C9 Target I Inst N OAPEL CHEMIS SeqNo 03 -					
Title	Monitoring of Io's Dayside		Instrument		NIMS
Requestor	NIMS-SWG/R.		Team	NIMS Working Group	SWG
Time System	CDS	Load ID	Calendar Date	06/27/97	Week 26
Start	IEE-CDS 00000242:00:0		97-178/22:26:28.133	IEE-000/04:04:41.333	
End	IEE-CDS 00000232:00:0		97-178/22:36:34.800	IEE-000/03:54:34.666	
Duration	00000010:00:0		000/00:10:06.667	000/00:10:06.667	
Top Label	C9INCHEMIS03-				
Bottom Label					
Plot Key	NIMS	Type	SCI		
CDS Bytes	150	Report Options	BOTH		
CDS Source	OAP	Spin State	DUAL	Scan Platform	Yes
			DMS		Yes
Observation Objective					
<p>Dayside monitoring covering wide range of longitudes to look for chemical changes (e.g. SO2 distribution) at resolutions better than ~800 km/nimsel (most observations will have resolutions between 120 and 400 km/nimsel).</p>					
Data Returned					
Design Detail					
<p>Partial or full disk mosaics within C/A + or - 32 hours in all orbits. High priority orbits are G2, C3, E4, E6 and E10 where resolution for lit disk is best.</p> <p>Long map, 51 wavelengths. Tracks used per orbit: 0.05 to 0.42. Bits To Ground per orbit: 0.3 to 2.2 Mbits.</p>					
Long Map (LM), Gain 2, Grating Start 0, LPU, C9ILM243C, C9ILM228C					
Galileo Activity Plan Form			06/09/97	10:29:44	rev 6/95



C9JNFEA05701

165FC:TT= 0 TMC= 1 C= -2.00 XC= 0.00 BS= 0/7992 TC= 1(6.5 249)
 A= 728 pD= 0 SR=17.450 RA50= 10.20 DEC50= 6.01 cone=128.39 clock=276.84
 117FC:#SB= 1 OR= 0.100 RR=12.000 BM=F RC= 1 BS= 0/7992
 1:#s= 1 Cs= 55.00 XCs= 0.00 Cr= 0.00 XCr= 8.00 sD= 1510 rD= 2

TARGET G3.1 jdods: 6/ 3/1997 15: 7: 4

FILE:P.C9JNFEA05701

CENTRAL BODY:JUPITER

MINI:m.target

S/C EPH:/DATA/NAVIO/T-970513-tour.NS

PERIAPSIS:

THINNING:NIM 2

START:JEE 97-178/11:57:33.466 +CDS 642:00:0

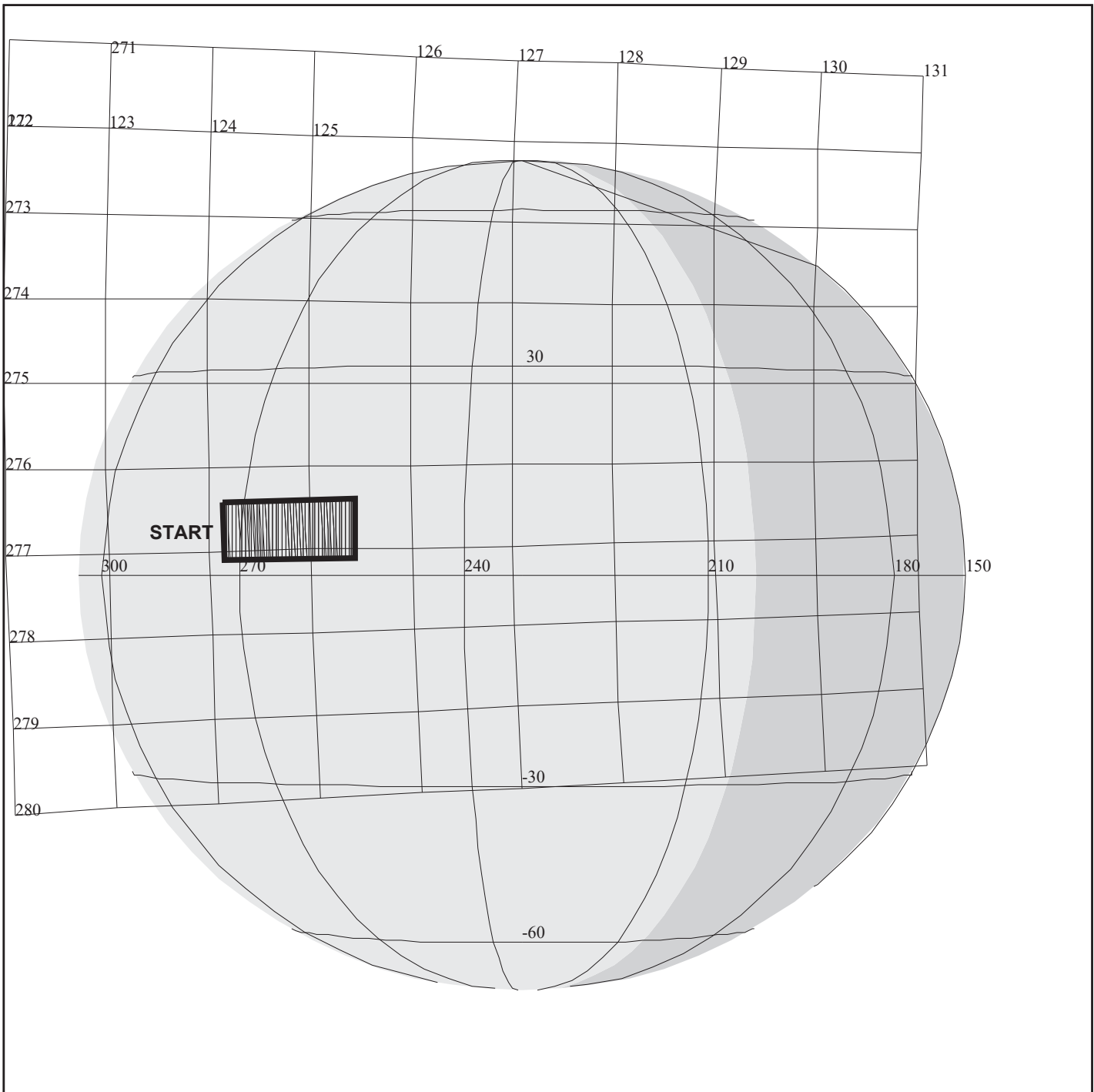
BODY PLOT TIME:TARGET-TIME D= 0 S= 0.850

OBSERVATION:C9JNFEA05701

DESCRIP:Jup_Fea_trk_57_deg_phase_01

Jupiter Ftr Trk 57 degrees Phase part 1 ACTIVITY ID: C9JNFEA05701-						
START TIME: 97-178/22:41:38.132						
Activity ID: Orbit C9 Target J Inst N OAPEL FEA057 SeqNo 01 -						
Title	Jupiter Ftr Trk 57 degrees Phase part 1 Instrument					NIMS
Requestor	NIMS-AWG/K. BAINES Team NIMS Working Group					AWG
Time System	CDS	Load ID	Calendar Date	06/27/97	Week	26
Start	JEE+CDS	00000637:00:0	97-178/22:41:38.132	JEE+000/10:44:04.666		
End	JEE+CDS	00000654:00:0	97-178/22:58:49.466	JEE+000/11:01:16.000		
Duration		00000017:00:0	000/00:17:11.334	000/00:17:11.334		
Top Label	C9JNFEA05701-					
Bottom Label						
Plot Key	NIMS	Type	SCI			
CDS Bytes	150	Report Options	BOTH	Scan Platform		Yes
CDS Source	OAP	Spin State	DUAL	DMS		Yes
Observation Objective						
<p>One of 12 OAPELS constituting the feature tracks of the Hot Spot/Plume feature campaign. This is the first of four observations obtained on a rotation with phase angle approximately 57 degrees. Jupiter imaged in 25 colors, using NIMS downlink wavelength table JFT25A. This observation acquired with hotspot/plume feature at the morning limb, assuming feature coordinates 6.5 degrees North latitude (planetographic) and nominally 263 degrees West longitude (System III). This OAPEL incorporated inside a slide-able window to allow targetting of the best hotspot/plume candidate.</p>						
Data Returned						
Design Detail						
<p>Short map, Nyquist-sampled observation of 2 X 1 (20 X 10 mrad) area centered on hotspot/plume feature nominally near 263 degrees West longitude, 6.5 degrees North planetographic latitude. Spacecraft distance 0.87 million KM, NIMS IFOV (NIMSel) = 435 KM; 2 X 1 mosaic covers 17400 X 8700 KM. About 200 seconds of scanning, accumulating 0.17966 MBTG in 19 colors, and using 0.00672 tracks. Four rims reserved for targetting.</p>						
Short Map (SM), Gain 2, Grating Start 1, LPU, C9JFT68C, C9JFT68C						
Galileo Activity Plan Form				06/09/97	10:29:44	rev 6/95

NIMS Real-Time Software Reload		ACTIVITY ID: C9NNRELOAD07-	
		START TIME: 97-179/00:17:41.466	
Activity ID: Orbit C9 Target N Inst N OAPEL RELOAD SeqNo 07 -			
Title	NIMS Real-Time Software Reload		Instrument
Requestor	NIMS-SWG/J. HUI	Team	NIMS Working Group
			NIMS AWG
Time System	CDS	Load ID	Calendar Date 06/28/97 Week 26
Start	JTD+CDS 00000713:00:0	97-179/00:17:41.466	JTD+000/12:00:55.333
End	JTD+CDS 00000723:00:0	97-179/00:27:48.133	JTD+000/12:11:02.000
Duration	00000010:00:0	000/00:10:06.667	000/00:10:06.667
Top Label	C9NNRELOAD07-		
Bottom Label			
Plot Key	NIMS	Type	SCI
CDS Bytes	150	Report Options	BOTH
CDS Source	OAP	Spin State	DUAL
		Scan Platform	No
		DMS	No
Observation Objective			
<p>Reload NIMS software to prevent loss of science observations. These loads are placed strtegeticaly to protect high priority science.</p> <p>Memory reload from CDS to NIMS and restart. Diagnostic Checksum, Processor Halt, Memory Reload from CDS, Instrument Restart, and Operational Mode Set.</p>			
Design Detail			
<p>Use a standard set of commands to halt the instrument, load the software and reinitialize the instrument.</p> <p>6CKSUM - Check Sum NIMS RAM 1000 - 14BC 37PL - Halt NIMS Processor (37PL) 37MRL - Memory Reallocate 6MCPY - Copy flight software from CDS to NIMS 1000 6MCPY - Copy flight software from CDS to NIMS 1598 37IRT - Instrument Reset 37MN - Memory Normal 37IST - Chopper Reference.</p>			
Galileo Activity Plan Form		06/09/97 10:29:44 rev 6/95	



165FF:TT= 0 TMC= 1 C= -11.00 XC= 0.00 BS= 0/7102 TC= 1(6.5 263)
 A= 728 pD= 0 SR=17.450 RA50= 14.09 DEC50= 7.77 cone=124.15 clock=276.75
 117FF:#SB= 1 OR= 0.100 RR=12.000 BM=F RC= 1 BS= 0/7102
 1:#s= 1 Cs= 21.90 XCs= 0.00 Cr= 0.00 XCr= 0.00 sD= 600 rD= 2

C9JNFEA05702

TARGET G3.1 jdods: 6/ 3/1997 15: 7: 4

FILE:P.C9JNFEA05702

CENTRAL BODY:JUPITER

MINI:m.target

S/C EPH:/DATA/NAVIO/T-970513-tour.NS

PERIAPSIS:

START:JTD 97-178/12:16:46.133 +CDS 728:00:0

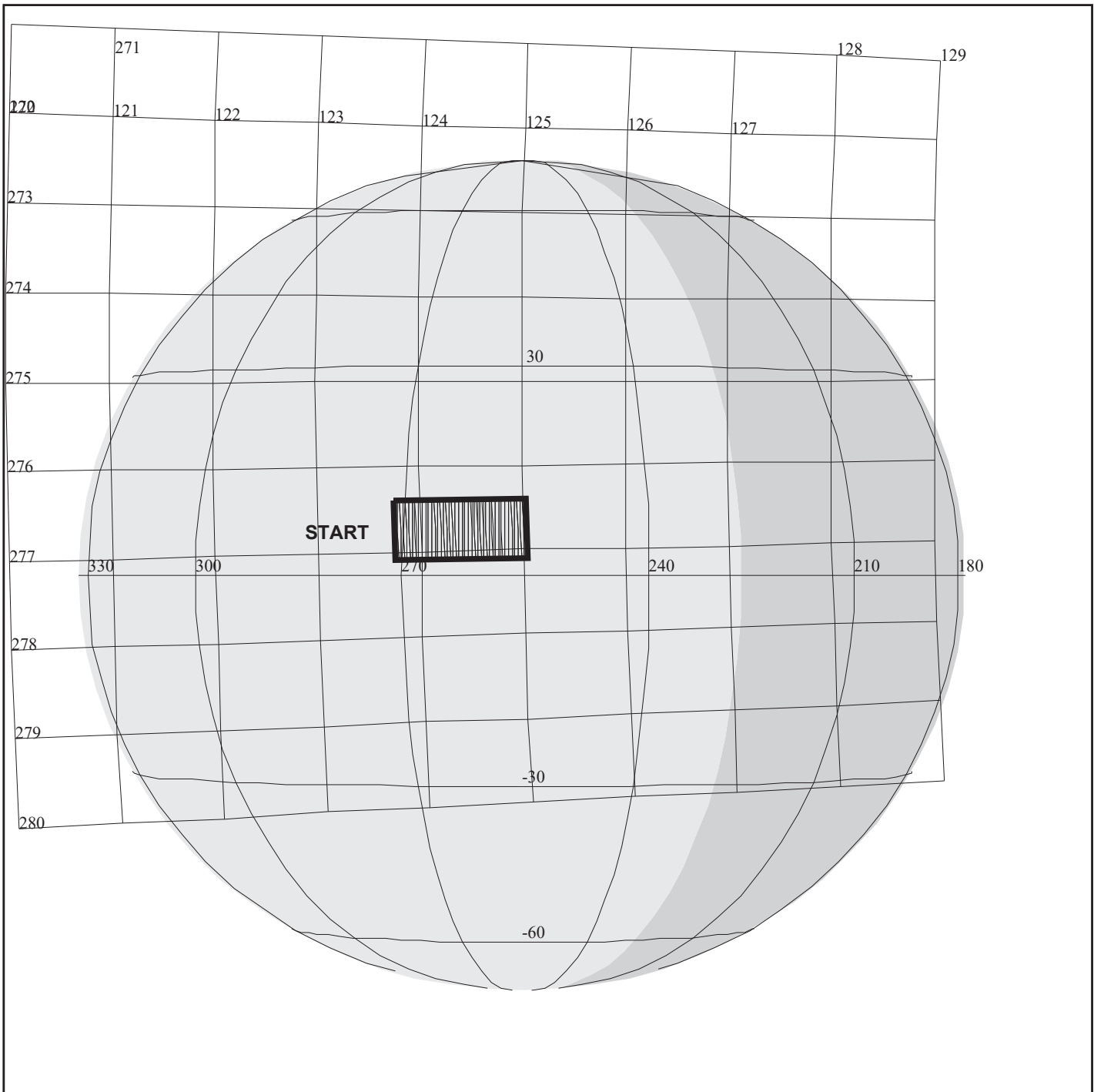
OBSERVATION:C9JNFEA05702

THINNING:NIM 2

BODY PLOT TIME:TARGET-TIME D= 0 S= 0.850

DESCRIP:Jup_Fea_trk_57_deg_phase_02

Jupiter Ftr Trk 57 degrees Phase part 2		ACTIVITY ID:	C9JNFEA05702-		
		START TIME:	97-179/00:28:48.799		
Activity ID: Orbit C9 Target J Inst N OAPEL FEA057 SeqNo 02 -					
Title	Jupiter Ftr Trk 57 degrees Phase part 2 Instrument				NIMS
Requestor	NIMS-AWG/K. BAINES		Team	NIMS Working Group	AWG
Time System	CDS	Load ID	Calendar Date	06/28/97	Week 26
Start	JTD+CDS	00000724:00:0	97-179/00:28:48.799	JTD+000/12:12:02.666	
End	JTD+CDS	00000732:00:0	97-179/00:36:54.133	JTD+000/12:20:08.000	
Duration		00000008:00:0	000/00:08:05.334	000/00:08:05.334	
Top Label	C9JNFEA05702-				
Bottom Label					
Plot Key	NIMS	Type	SCI		
CDS Bytes	150	Report Options	BOTH	Scan Platform	Yes
CDS Source	OAP	Spin State	DUAL	DMS	Yes
Observation Objective					
<p>One of 12 OAPELS constituting the feature tracks of the Hot Spot/Plume feature campaign. This is the second of four observations obtained on a rotation with phase angle approximately 57 degrees. Jupiter imaged in 25 colors, using NIMS downlink wavelength table JFT25A. This observation acquired with Hot Spot/Plume feature near minimum airmass, assuming feature coordinates 8 degrees north latitude (planetographic) and nominally 249 degrees west longitude (System III). This OAPEL incorporated inside a slide-able window to allow targetting of the best Hot Spot/Plume candidate.</p>					
Data Returned					
Design Detail					
<p>Short map, Nyquist-sampled observation of 2 X 1 (208X 10 mrad) area centered on Hot Spot/Plume feature nominally near 249 degrees west longitude, 8 degrees north planetographic latitude. Spacecraft distance 0.85 million KM, NIMS IFOV (NIMSel) = 425 KM; 2 X 1 mosaic covers 17000 X 8500 KM. About 200 seconds of scanning, accumulating 0.17966 MBTG in 19 colors, and using 0.00672 tracks. Four rims reserved for targetting.</p>					
<p>NOTE 5/15/97: Target coordinates changed to 263 degrees West longitude, 6.5 degrees North latitude to encompass both hotspot and plume head.</p>					
<p>GANYMEDE'S shadow in the mosaic.</p>					
<p>Short Map (SM), Gain 2, Grating Start 1, LPU, C9JFT68C, C9JFT68C</p>					
Galileo Activity Plan Form			06/09/97	10:29:44	rev 6/95



C9JNFEA05703

165FG:TT= 0 TMC= 1 C= -11.00 XC= 0.00 BS= 0/4382 TC= 1(6.5 263)
 A= 728 pD= 0 SR=17.450 RA50= 14.45 DEC50= 7.93 cone=123.75 clock=276.74
 117FG:#SB= 1 OR= 0.100 RR=12.000 BM=F RC= 1 BS= 0/4382
 1:#s= 1 Cs= 21.90 XC= 0.00 Cr= 0.00 XCr= 0.00 sD= 600 rD= 2

TARGET G3.1 jdods: 6/ 3/1997 15: 7: 4

FILE:P.C9JNFEA05703

CENTRAL BODY:JUPITER

MINI:m.target

S/C EPH:/DATA/NAVIO/T-970513-tour.NS

PERIAPSIS:

THINNING:NIM 2

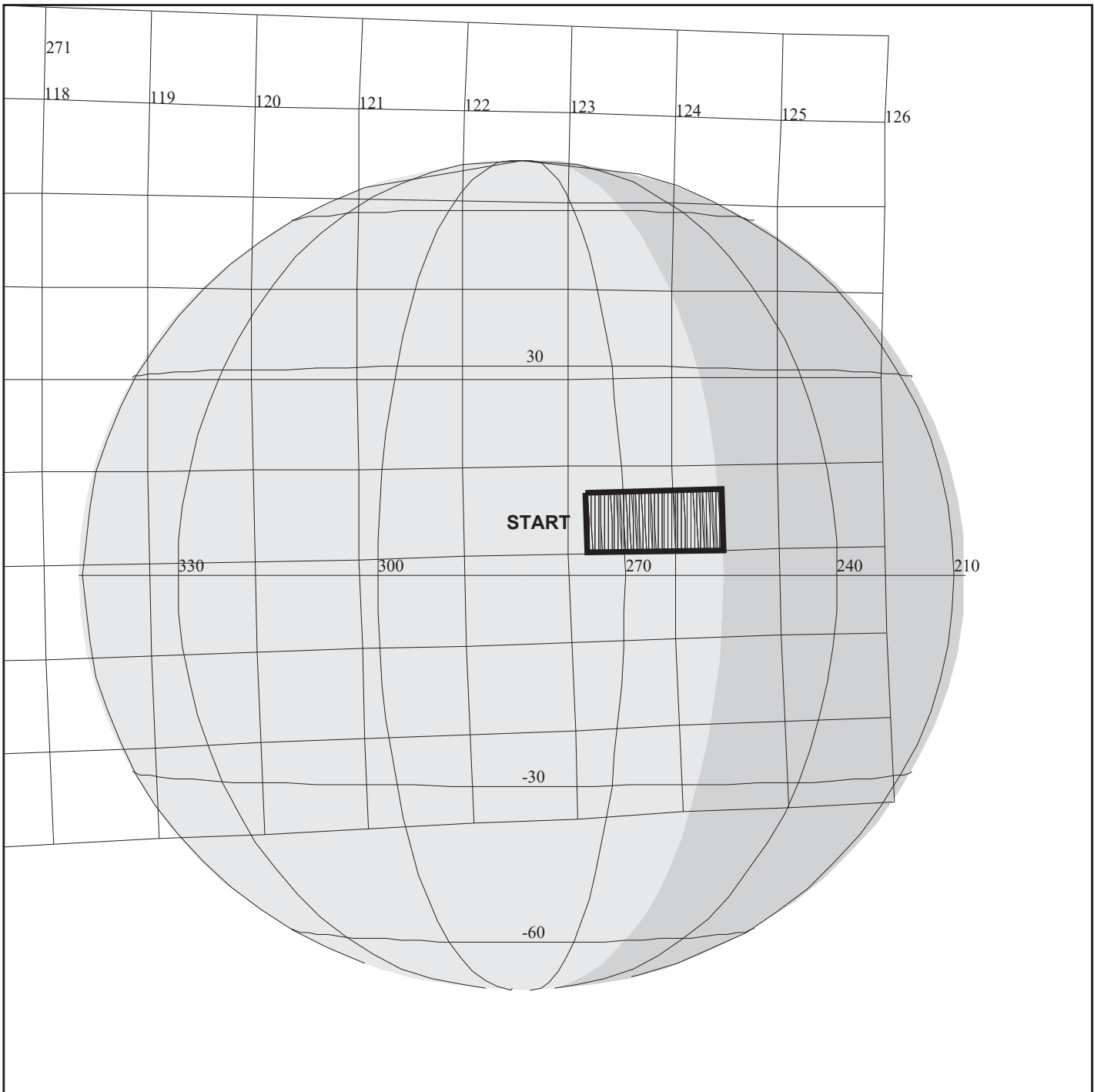
START:JTD 97-178/12:16:46.133 +CDS 768:00:0

BODY PLOT TIME:TARGET-TIME D= 0 S= 0.850

OBSERVATION:C9JNFEA05703

DESCRIP:Jup_Fea_trk_57_deg_phase_03

Jupiter Ftr Trk 57 degrees Phase part 3		ACTIVITY ID:	C9JNFEA05703-		
		START TIME:	97-179/01:08:14.799		
Activity ID: Orbit C9 Target J Inst N OAPEL FEA057 SeqNo 03 -					
Title	Jupiter Ftr Trk 57 degrees Phase part 3 Instrument				NIMS
Requestor	NIMS-AWG/K. BAINES		Team	NIMS Working Group	AWG
Time System	CDS	Load ID	Calendar Date	06/28/97	Week 26
Start	JTD+CDS	00000763:00:0	97-179/01:08:14.799	JTD+000/12:51:28.666	
End	JTD+CDS	00000772:00:0	97-179/01:17:20.799	JTD+000/13:00:34.666	
Duration		00000009:00:0	000/00:09:06.000	000/00:09:06.000	
Top Label	C9JNFEA05703-				
Bottom Label					
Plot Key	NIMS	Type	SCI		
CDS Bytes	150	Report Options	BOTH		
CDS Source	OAP	Spin State	DUAL	Scan Platform	Yes
			DMS		Yes
Observation Objective					
<p>One of 12 OAPELS constituting the feature tracks the of Hot Spot/Plume feature campaign. This is the third of four observations obtained on a rotation with phase angle approximately 57 degrees. Jupiter imaged in 25 colors, using NIMS downlink wavelength table JFT25A. This observation acquired with Hot Spot/Plume feature near the central meridian, assuming feature coordinates 6.5 degrees north latitude (planetographic) and nominally 263 degrees west longitude (System III). This OAPEL incorporated inside a slide-able window to allow targetting of the best Hot Spot/Plume candidate.</p>					
Data Returned					
Design Detail					
<p>Short map, Nyquist-sampled observation of 2 X 1 (20 X 10 mrad) area centered on Hot Spot/Plume feature nominally near 263 degrees west longitude, 6.5 degrees north planetographic latitude. Spacecraft distance 0.86 million KM, NIMS IFOV (NIMSel) = 430 KM; 2 X 1 mosaic covers 17200 X 8600 KM. About 200 seconds of scanning, accumulating 0.17966 MBTG in 19 colors, and using 0.00672 tracks. Four rims reserved for targetting.</p>					
<p>NOTE 5/15/97: Target coordinates changed to 263 degrees West longitude, 6.5 degrees north latitude, to encompass both hotspot and plume head.</p>					
GANYMEDE'S shadow in the mosaic.					
Short Map (SM), Gain 2, Grating Start 1, LPU, C9JFT68C, C9JFT68C					
Galileo Activity Plan Form			06/09/97	10:29:44	rev 6/95



C9JNFEA05704

165FH:TT= 0 TMC= 1 C= -32.00 XC= 0.00 BS= 0/3118 TC= 1(8 249)
 A= 182 pD= 0 SR=17.450 RA50= 14.95 DEC50= 8.24 cone=123.17 clock=276.64
 117FH:#SB= 1 OR= 0.100 RR=12.000 BM=F RC= 1 BS= 0/3118
 1:#s= 1 Cs= 21.90 XCs= 0.00 Cr= 0.00 XCr= 0.00 sD= 600 rD= 2

TARGET G3.1 jdods: 6/ 3/1997 15: 7: 4

FILE:P.C9JNFEA05704

CENTRAL BODY:JUPITER

MINI:m.target

S/C EPH:/DATA/NAVIO/T-970513-tour.NS

PERIAPSIS:

THINNING:NIM 2

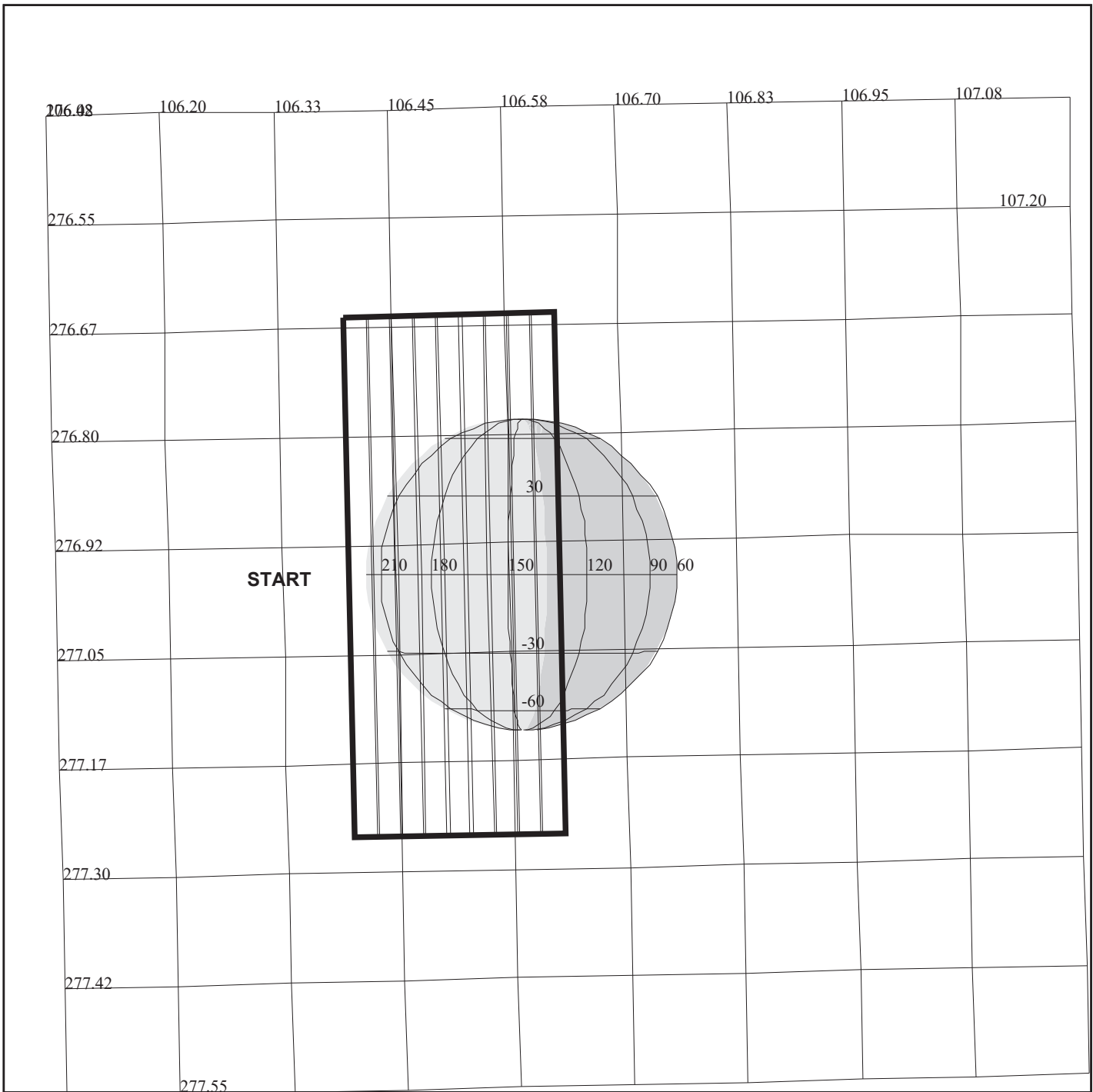
START:JTD 97-178/12:16:46.133 +CDS 816:00:0

BODY PLOT TIME:TARGET-TIME D= 0 S= 0.850

OBSERVATION:C9JNFEA05704

DESCRIP:Jup_Fea_trk_57_deg_phase_04

Jupiter Ftr Trk 57 degrees Phase part 4		ACTIVITY ID:	C9JNFEA05704-		
		START TIME:	97-179/01:57:47.466		
Activity ID: Orbit C9 Target J Inst N OAPEL FEA057 SeqNo 04 -					
Title	Jupiter Ftr Trk 57 degrees Phase part 4 Instrument				NIMS
Requestor	NIMS-AWG/K. BAINES		Team	NIMS Working Group	AWG
Time System	CDS	Load ID	Calendar Date	06/28/97	Week 26
Start	JTD+CDS	00000812:00:0	97-179/01:57:47.466	JTD+000/13:41:01.333	
End	JTD+CDS	00000820:34:0	97-179/02:06:15.466	JTD+000/13:49:29.333	
Duration		00000008:34:0	000/00:08:28.000	000/00:08:28.000	
Top Label	C9JNFEA05704-				
Bottom Label					
Plot Key	NIMS	Type	SCI		
CDS Bytes	150	Report Options	BOTH		
CDS Source	OAP	Spin State	DUAL	Scan Platform	Yes
			DMS		Yes
Observation Objective					
<p>One of 12 OAPELS constituting the feature tracks the of Hot Spot/Plume feature campaign. This is the fourth of four observations obtained on a rotation with phase angle approximately 57 degrees. Jupiter imaged in 25 colors, using NIMS downlink wavelength table JFT25A. This observation acquired with Hot Spot/Plume feature near the evening terminator, assuming feature coordinates 6.5 degrees north latitude (planetographic) and nominally 263 degrees west longitude (System III). This OAPEL incorporated inside a slide-able window to allow targetting of the best Hot Spot/Plume candidate.</p>					
Data Returned					
Design Detail					
<p>Short map, Nyquist-sampled observation of 2 X 1 (20 X 10 mrad) area centered on Hot Spot/Plume feature nominally near 263 degrees west longitude, 6.5 degrees north planetographic latitude. Spacecraft distance 0.88 million KM, NIMS IFOV (NIMSel) = 440 KM; 2 X 1 mosaic covers 17600 X 8800 KM. About 200 seconds of scanning, accumulating 0.17966 MBTG in 19 colors, and using 0.00672 tracks. One rim reserved for targetting, to accomodate PPR REGMAP02</p>					
Short Map (SM), Gain 2, Grating Start 1, LPU, C9JFT68C, C9JFT68C					
Galileo Activity Plan Form			06/09/97	10:29:44	rev 6/95



C9INHRSPEC01

165Fl:TT= 0 TMC= 1 C= -3.20 XC= 0.00 BS= 0/8578 TC= 3
 A= 546 pD= 0 SR=17.450 RA50= 30.95 DEC50= 14.19 cone=106.41 clock=276.96
 117Fl:#SB= 1 OR= 0.030 RR=12.000 BM=F RC= 1 BS= 0/8578
 1:#s= 1 Cs= 4.50 XCs= 0.00 Cr= 0.00 XCr= 0.00 sD= 454 rD= 2

TARGET G3.1 jdods: 6/ 3/1997 15: 7: 4

FILE:P.C9INHRSPEC01

TARGET BODY : IO

MINI:m.target

S/C EPH:/DATA/NAVIO/T-970513-tour.NS

PERIAPSIS:

THINNING:NIM 2

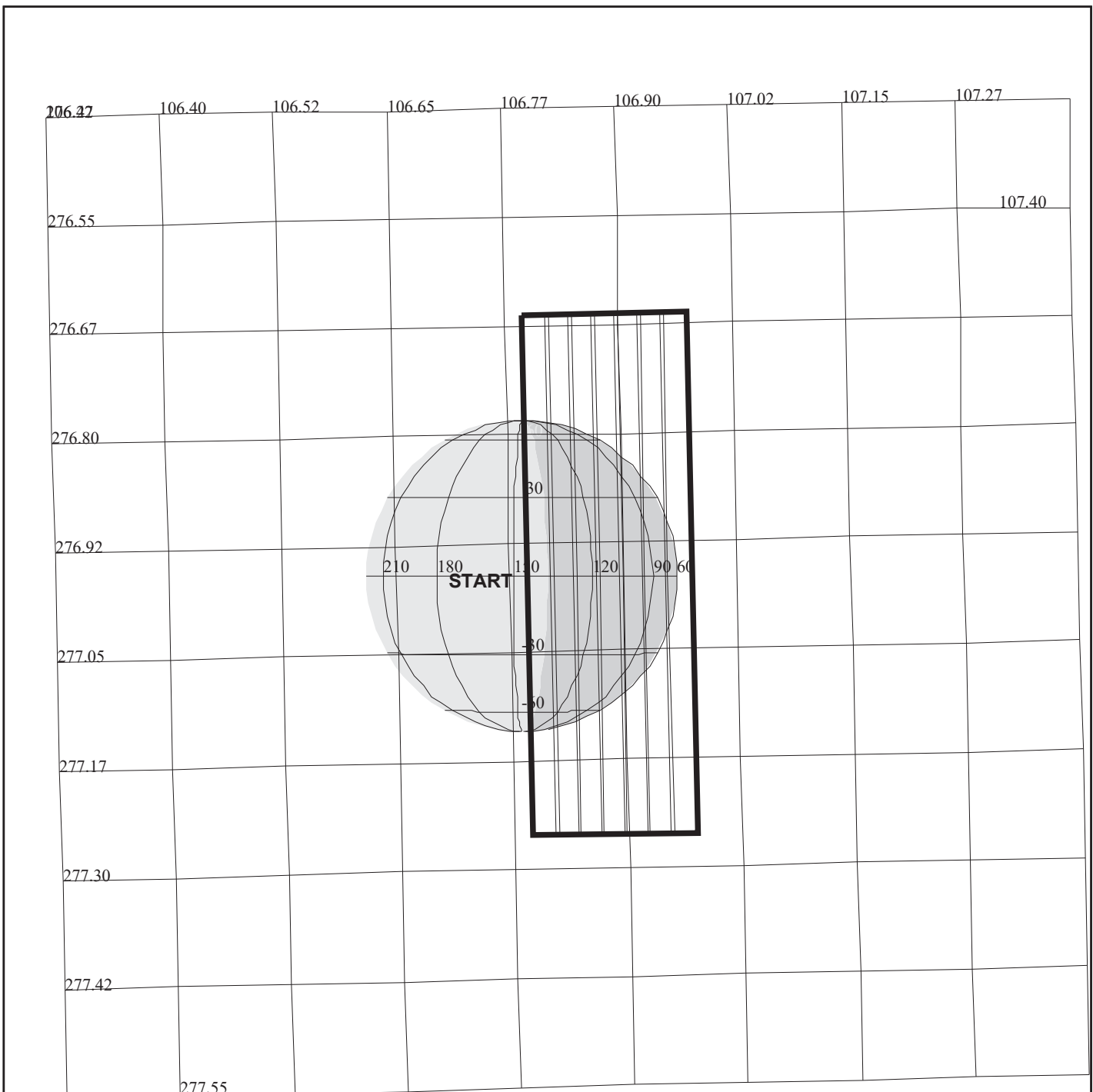
START:IEE 97-179/02:31:09.466 +CDS 01:00:0

BODY PLOT TIME:TARGET-TIME D= 0 S= 0.300

OBSERVATION:C9INHRSPEC01

DESCRIP:lo High Res. Spec. 1

High Spatial and Spectral obs. of Io	ACTIVITY ID: C9INHRSPEC01-	START TIME: 97-179/02:28:07.466
Activity ID: Orbit C9 Target I Inst N OAPEL HRSPEC SeqNo 01 -		
Title	High Spatial and Spectral obs. of Io	Instrument NIMS
Requestor	NIMS-SWG/R.	Team NIMS Working Group SWG
Time System	CDS	Load ID
		Calendar Date 06/28/97 Week 26
Start	IEE-CDS 00000003:00:0	97-179/02:28:07.466 IEE-000/00:03:02.000
End	IEE+CDS 00000004:00:0	97-179/02:35:12.132 IEE+000/00:04:02.666
Duration	00000007:00:0	000/00:07:04.666 000/00:07:04.666
Top Label	C9INHRSPEC01-	
Bottom Label		
Plot Key	NIMS	Type SCI
CDS Bytes	150	Report Options BOTH
CDS Source	OAP	Spin State DUAL
		Scan Platform DMS
		Yes Yes
Observation Objective		
Mapping observation of Io's dayside at high spatial and spectral resolutions. Objective is to search for both known and yet unknown spectral features.		
Data Returned		
Design Detail		
Global mosaic in Long Map (408 wavelengths).		
Long Map (LM), Gain 2, Grating Start 0, MPW, C9ILM442, C9ILM360		
Galileo Activity Plan Form	06/09/97 10:29:44	rev 6/95



C9INNSPEC_01

165FJ:TT= 0 TMC= 1 C= 0.25 XC= 0.00 BS= 0/0944 TC= 3
 A= 546 pD= 0 SR=17.450 RA50= 30.57 DEC50= 14.05 cone=106.80 clock=276.96
 117FJ:#SB= 1 OR= 0.030 RR=12.000 BM=F RC= 1 BS= 0/0944
 1:#s= 1 Cs= 3.60 XCs= 0.00 Cr= 0.00 XCr= 0.00 sD= 364 rD= 2

TARGET G3.1 jdods: 6/ 3/1997 15: 7: 4

FILE:P.C9INNSPEC_01

TARGET BODY : IO

MINI:m.target

S/C EPH:/DATA/NAVIO/T-970513-tour.NS

PERIAPSIS:

THINNING:NIM 2

START:IEE 97-179/02:31:09.466 +CDS 14:00:0

BODY PLOT TIME:TARGET-TIME D= 0 S= 0.300

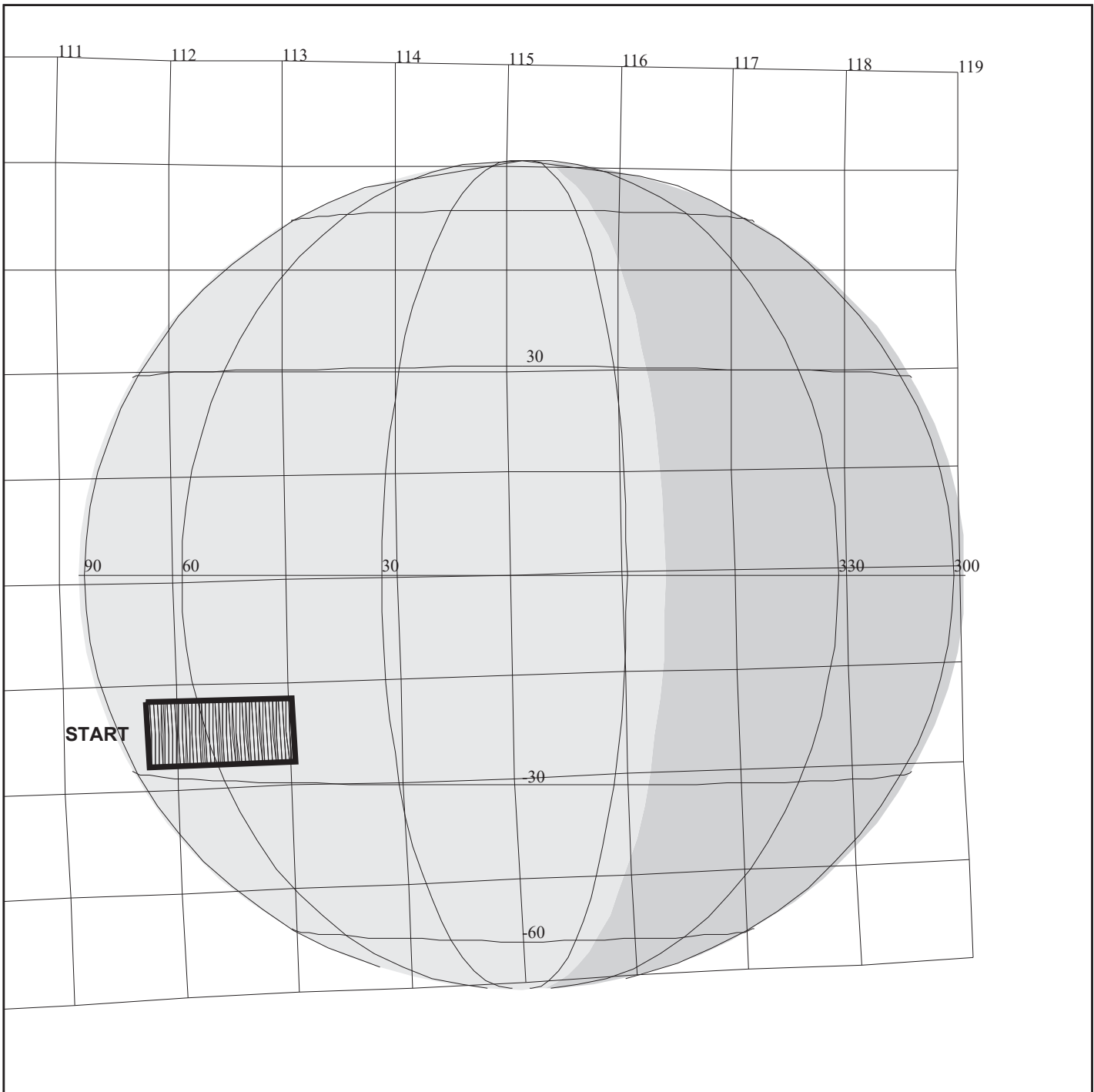
OBSERVATION:C9INNSPEC_01

DESCRIP:lo High Res. Nightside Spec. 1

Nightside Spectra at High Resolution		ACTIVITY ID:	C9INNSPEC 01-		
		START TIME:	97-179/02:41:16.132		
Activity ID: Orbit C9 Target I Inst N OAPEL NSPEC SeqNo 01 -					
Title	Nightside Spectra at High Resolution		Instrument		NIMS
Requestor	NIMS-SWG/R.		Team	NIMS Working Group	SWG
Time System	CDS	Load ID	Calendar Date	06/28/97	Week 26
Start	IEE+CDS 00000010:00:0		97-179/02:41:16.132	IEE+000/00:10:06.666	
End	IEE+CDS 00000016:00:0		97-179/02:47:20.132	IEE+000/00:16:10.666	
Duration	00000006:00:0		000/00:06:04.000	000/00:06:04.000	
Top Label	C9INNSPEC 01-				
Bottom Label					
Plot Key	NIMS	Type	SCI		
CDS Bytes	150	Report Options	BOTH		
CDS Source	OAP	Spin State	DUAL	Scan Platform	Yes
			DMS		Yes
Observation Objective					
<p>Thermal monitoring of IO's nightside covering as wide a range of longitudes as possible with resolutions better than ~800 km/nimsel. Objective is to search for and map hot spots, thermal anomalies and outbursts on the surface. Observations will also include the limb to search for auroral effects.</p>					
Data Returned					
Design Detail					
<p>Partial or full disk mosaics within C/A + or - 32 hours in all orbits. High priority orbits are G1, C3, and C10 because these have the highest longitudinal coverage and orbits G7 and G8 because these have the best nighttime resolution for LOKI.</p> <p>Instrument mode: Long Map, Number of Wavelengths: 51, Tracks used per orbit: 0.01 to 0.1, Bits To Ground used per orbit: 0.01 to 0.5 Mbits.</p>					
Long Map (LM), Gain 4, Grating Start 0, MPW, C9ILM442, C9ILM360					
Galileo Activity Plan Form			06/09/97	10:29:44	rev 6/95

This page BLANK

NIMS Real-Time Software Reload		ACTIVITY ID: C9NNRELOAD08-	
		START TIME: 97-179/04:28:26.799	
Activity ID: Orbit C9 Target N Inst N OAPEL RELOAD SeqNo 08 -			
Title	NIMS Real-Time Software Reload		Instrument
Requestor	NIMS-SWG/J. HUI	Team	NIMS Working Group
			NIMS AWG
Time System	CDS	Load ID	Calendar Date 06/28/97 Week 26
Start	JEE+CDS 00000980:00:0	97-179/04:28:26.799	JEE+000/16:30:53.333
End	JEE+CDS 00000990:00:0	97-179/04:38:33.466	JEE+000/16:41:00.000
Duration	00000010:00:0	000/00:10:06.667	000/00:10:06.667
Top Label	C9NNRELOAD08-		
Bottom Label			
Plot Key	NIMS	Type	SCI
CDS Bytes	150	Report Options	BOTH
CDS Source	OAP	Spin State	DUAL
		Scan Platform	No
		DMS	No
Observation Objective			
<p>Reload NIMS software to prevent loss of science observations. These loads are placed strtegeticaly to protect high priority science.</p> <p>Memory reload from CDS to NIMS and restart. Diagnostic Checksum, Processor Halt, Memory Reload from CDS, Instrument Restart, and Operational Mode Set.</p>			
Design Detail			
<p>Use a standard set of commands to halt the instrument, load the software and reinitialize the instrument.</p> <p>6CKSUM - Check Sum NIMS RAM 1000 - 14BC 37PL - Halt NIMS Processor (37PL) 37MRL - Memory Reallocate 6MCPY - Copy flight software from CDS to NIMS 1000 6MCPY - Copy flight software from CDS to NIMS 1598 37IRT - Instrument Reset 37MN - Memory Normal 37IST - Chopper Reference.</p>			
Galileo Activity Plan Form		06/09/97 10:29:45 rev 6/95	



C9JNGRS07501

165FK:TT= 0 TMC= 1 C= -3.00 XC= 0.00 BS= 0/2238 TC= 1(-23 69)
 A= 556 pD= 0 SR=17.450 RA50= 26.32 DEC50= 11.01 cone=111.75 clock=278.46
 117FK:#SB= 1 OR= 0.100 RR=12.000 BM=F RC= 1 BS= 0/2238
 1:#s= 1 Cs= 21.70 XCs= 0.00 Cr= 0.00 XCr= 0.00 sD= 600 rD= 2

TARGET G3.1 jdods: 6/ 3/1997 15: 7: 4

FILE:P.C9JNGRS07501

CENTRAL BODY:JUPITER

MINI:m.target

S/C EPH:/DATA/NAVIO/T-970513-tour.NS

PERIAPSIS:

START:JEE 97-178/11:57:33.466 +CDS 995:00:0

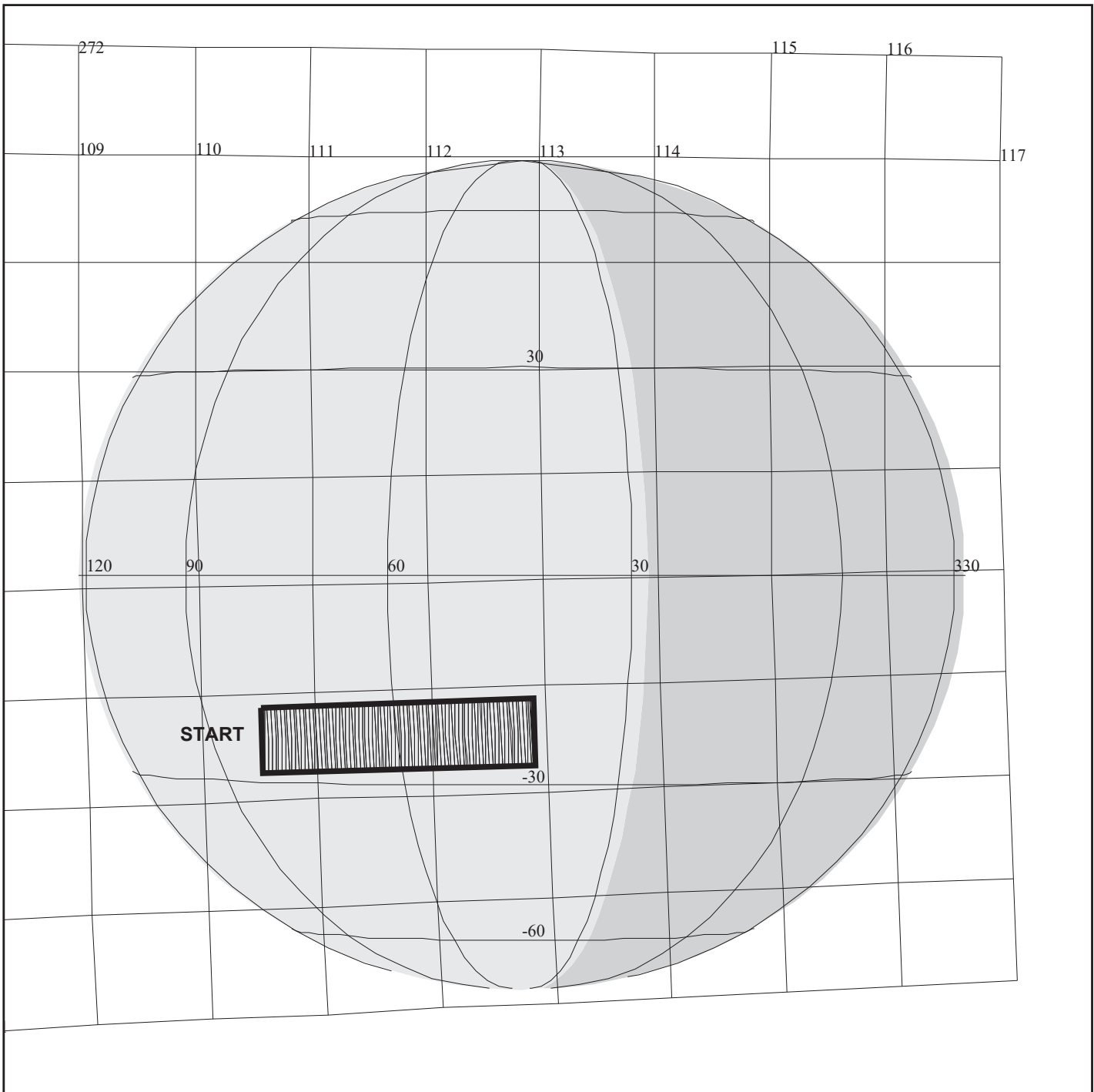
OBSERVATION:C9JNGRS07501

THINNING:NIM 2

BODY PLOT TIME:TARGET-TIME D= 0 S= 0.850

DESCRIP:JUP_GREAT_RED_SPOT_75_DEG_01

Jupiter Great Red Spot 75 degrees prt 1		ACTIVITY ID:	C9JNGRS07501-		
		START TIME:	97-179/04:39:34.132		
Activity ID: Orbit C9 Target J Inst N OAPEL GRS075 SeqNo 01 -					
Title	Jupiter Great Red Spot 75 degrees prt 1 Instrument				NIMS
Requestor	NIMS-AWG/K. BAINES		Team	NIMS Working Group	AWG
Time System	CDS	Load ID	Calendar Date	06/28/97	Week 26
Start	JEE+CDS	00000991:00:0	97-179/04:39:34.132	JEE+000/16:42:00.666	
End	JEE+CDS	00000999:00:0	97-179/04:47:39.466	JEE+000/16:50:06.000	
Duration		00000008:00:0	000/00:08:05.334	000/00:08:05.334	
Top Label	C9JNGRS07501-				
Bottom Label					
Plot Key	NIMS	Type	SCI		
CDS Bytes	150	Report Options	BOTH	Scan Platform	Yes
CDS Source	OAP	Spin State	DUAL	DMS	Yes
Observation Objective					
<p>One of 14 OAPELS constituting the Great Red Spot feature tracks. This is the first of three observations obtained on a rotation with phase angle approximately 75 degrees. Jupiter imaged in 15 colors, using NIMS downlink wavelength table JFT15A. This observation acquired with Great Red Spot feature near the morning limb, assuming feature coordinates 23 degrees south latitude (planetographic) and nominally 69 degrees west longitude (System III).</p> <p>Note: GRS07503 eliminated on 12/11/95 to accomodate UVS Torus observation.</p>					
Data Returned					
Design Detail					
<p>Short map, Nyquist-sampled observation of 2 X 1 (20 X 10 mrad) area centered on the heart of the GRS near 69 degrees west longitude, 23 degrees south planetographic latitude. Spacecraft distance 0.99 million KM, NIMS IFOV (NIMSel) = 495 KM; 2 X 1 mosaic covers 19800 X 9900 KM. About 200 seconds of scanning, accumulating 0.1454 MBTG in 15 colors, and using 0.00672 tracks. Four rims reserved for targetting.</p> <p>Note (5/6/97): GRS center longitude updated to 62 degrees West longitude. This observation, near the limb, covers 44 to 75 degrees W. longitude.</p>					
Short Map (SM), Gain 2, Grating Start 1, LPU, C9JFT68B, C9JFT40A					
Galileo Activity Plan Form			06/09/97	10:29:45	rev 6/95



C9JNGRS07502

165FL:TT= 0 TMC= 1 C= -11.00 XC= 0.00 BS= 0/2066 TC= 1(-23 69)
 A= 556 pD= 0 SR=17.450 RA50= 27.48 DEC50= 11.46 cone=110.52 clock=278.43
 117FL:#SB= 1 OR= 0.200 RR=12.000 BM=F RC= 1 BS= 0/2066
 1:#s= 1 Cs= 41.00 XCs= 0.00 Cr= 0.00 XCr= 0.00 sD= 600 rD= 2

TARGET G3.1 jdods: 6/ 3/1997 15: 7: 4

FILE:P.C9JNGRS07502

CENTRAL BODY:JUPITER

MINI:m.target

S/C EPH:/DATA/NAVIO/T-970513-tour.NS

PERIAPSIS:

THINNING:NIM 1

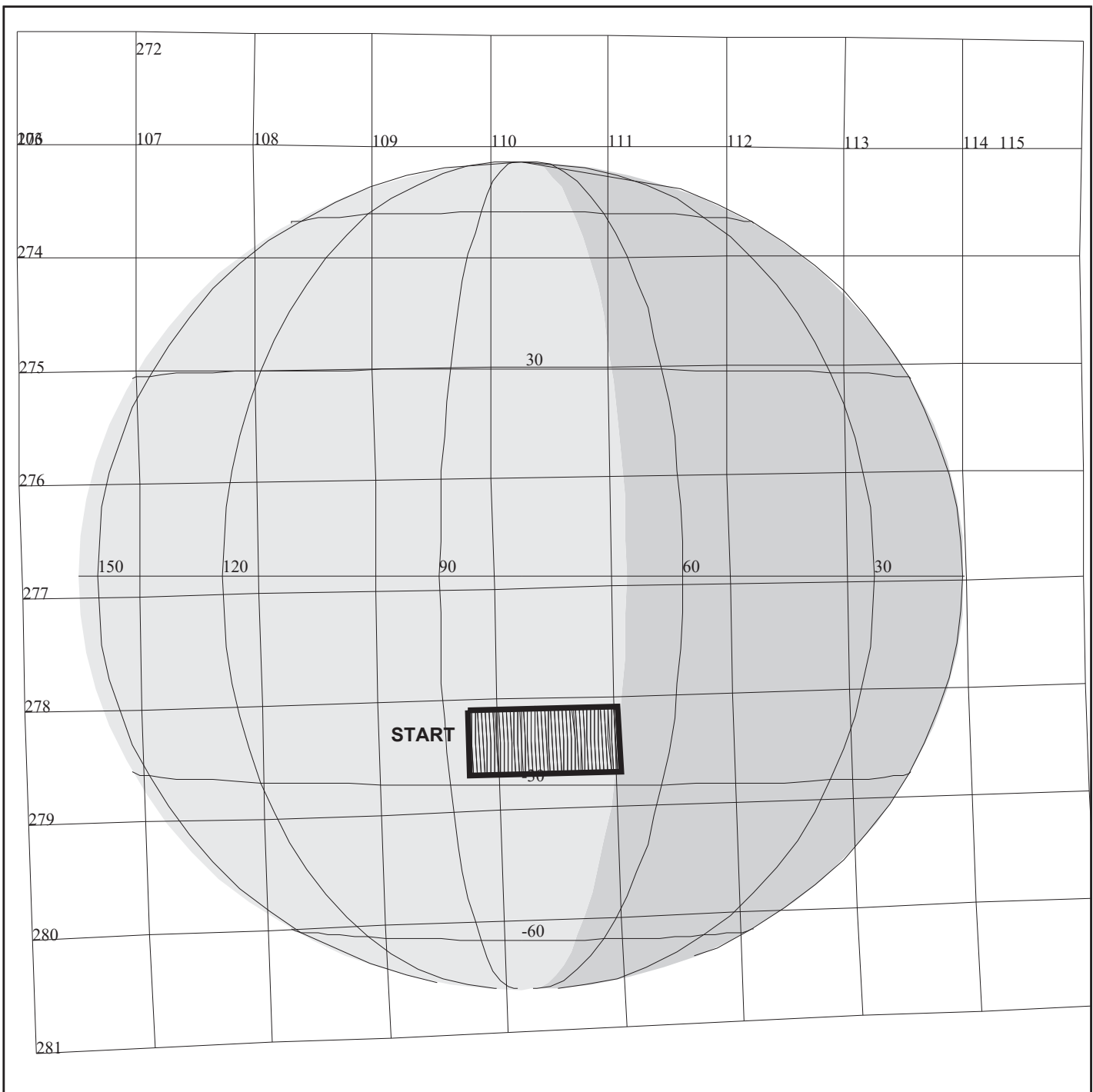
START:JEE 97-178/11:57:33.466 +CDS 1049:00:0

BODY PLOT TIME:TARGET-TIME D= 0 S= 0.850

OBSERVATION:C9JNGRS07502

DESCRIP:JUP_GREAT_RED_SPOT_75_DEG_03

Jupiter Great Red Spot 75 degrees prt 2		ACTIVITY ID:	C9JNGRS07502-		
		START TIME:	97-179/05:34:10.132		
Activity ID: Orbit C9 Target J Inst N OAPEL GRS075 SeqNo 02 -					
Title	Jupiter Great Red Spot 75 degrees prt 2 Instrument				NIMS
Requestor	NIMS-AWG/K. BAINES		Team	NIMS Working Group	AWG
Time System	CDS	Load ID	Calendar Date	06/28/97	Week 26
Start	JEE+CDS	00001045:00:0	97-179/05:34:10.132	JEE+000/17:36:36.666	
End	JEE+CDS	00001053:00:0	97-179/05:42:15.466	JEE+000/17:44:42.000	
Duration		00000008:00:0	000/00:08:05.334	000/00:08:05.334	
Top Label	C9JNGRS07502-				
Bottom Label					
Plot Key	NIMS	Type	SCI		
CDS Bytes	150	Report Options	BOTH	Scan Platform	Yes
CDS Source	OAP	Spin State	DUAL	DMS	Yes
Observation Objective					
<p>One of 14 OAPELS constituting the Great Red Spot feature tracks. This is the second of three observations obtained on a rotation with phase angle approximately 75 degrees. Jupiter imaged in 15 colors, using NIMS downlink wavelength table JFT15A. This observation acquired with Great Red Spot feature near minimum airmass, assuming feature coordinates 23 degrees south latitude (planetographic) and nominally 69 degrees west longitude (System III).</p>					
Data Returned					
Design Detail					
<p>Short map, Nyquist-sampled observation of 2 X 1 (20 X 10 mrad) area centered on the heart of the GRS near 69 degrees west longitude, 23 degrees south planetographic latitude. Spacecraft distance 0.98 million KM, NIMS IFOV (NIMSel) = 490 KM; 2 X 1 mosaic covers 19600 X 9900 KM. About 200 seconds of scanning, accumulating 0.1454 MBTG in 15 colors, and using 0.00672 tracks. Four rims reserved for targetting.</p>					
<p>Note (5/6/97): GRS center longitude updated to 62 degrees West longitude. This observation covers 58 to 80 degrees W. longitude, i.e., Western half of the GRS.</p>					
<p>NOTE 5/15/97: Scan rate increased to encompass 4 X 1 area, in order to acquire the eastern side of the GRS including some of the interaction between the colliding small white oval and GRS.</p>					
Short Map (SM), Gain 2, Grating Start 1, LPU, C9JFT68B, C9JFT40A					
Galileo Activity Plan Form			06/09/97	10:29:45	rev 6/95



C9JNGRS07504

165FN:TT= 0 TMC= 1 C= -20.00 XC= 0.00 BS= 0/3714 TC= 1(-23 69)
 A= 546 pD= 0 SR=17.450 RA50= 28.19 DEC50= 11.77 cone=109.76 clock=278.38
 117FN:#SB= 1 OR= 0.100 RR=12.000 BM=F RC= 1 BS= 0/3714
 1:#s= 1 Cs= 21.80 XCs= 0.00 Cr= 0.00 XCr= 0.00 sD= 600 rD= 2

TARGET G3.1 jdods: 6/ 3/1997 15: 7: 4

FILE:P.C9JNGRS07504

CENTRAL BODY:JUPITER

MINI:m.target

S/C EPH:/DATA/NAVIO/T-970513-tour.NS

PERIAPSIS:

THINNING:NIM 2

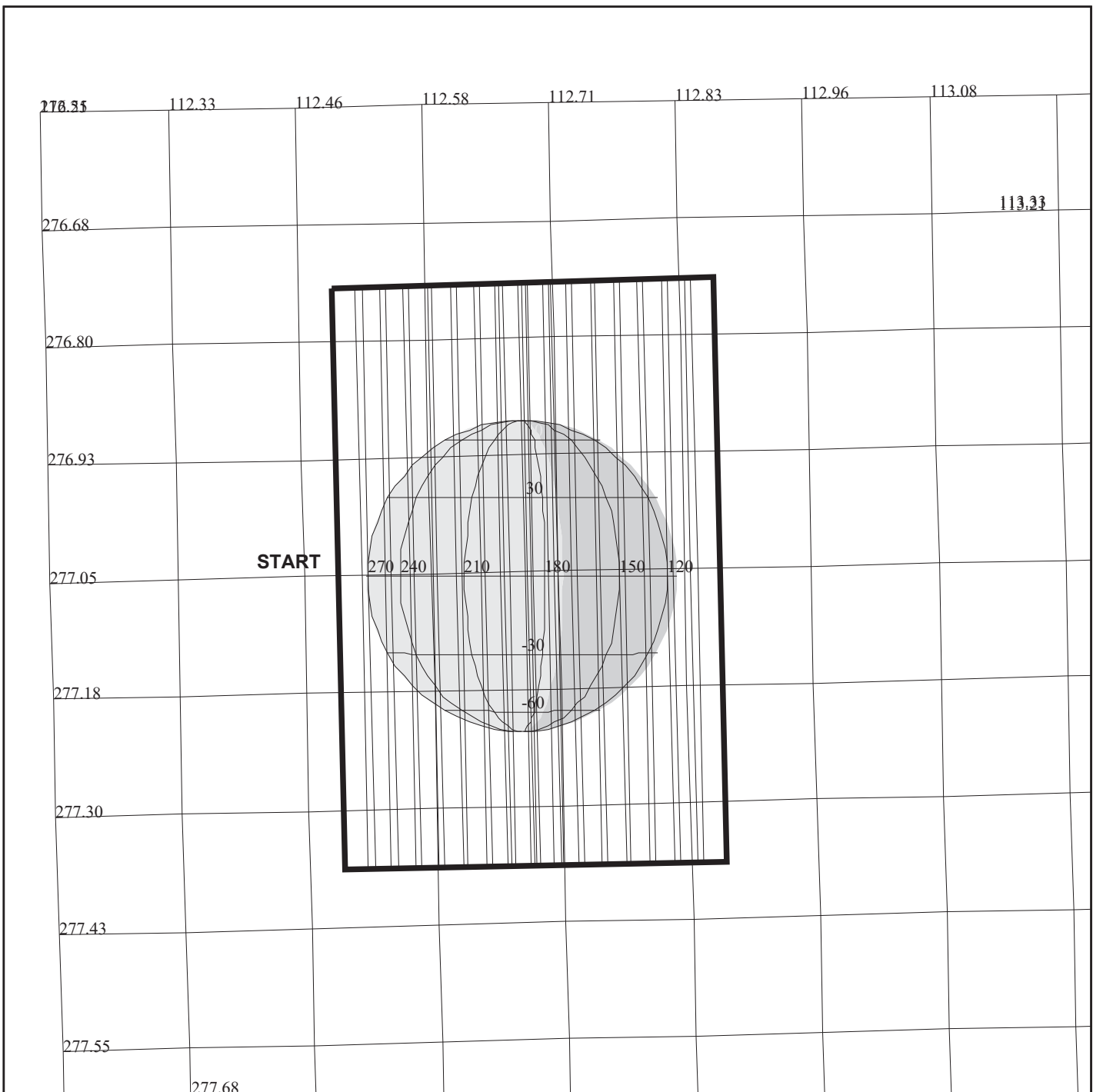
START:JEE 97-178/11:57:33.466 +CDS 1113:00:0

BODY PLOT TIME:TARGET-TIME D= 0 S= 0.850

OBSERVATION:C9JNGRS07504

DESCRIP:JUP_GREAT_RED_SPOT_75_DEG_03

Jupiter Great Red Spot 75 degrees prt 4		ACTIVITY ID:	C9JNGRS07504-		
		START TIME:	97-179/06:38:52.799		
Activity ID: Orbit C9 Target J Inst N OAPEL GRS075 SeqNo 04 -					
Title	Jupiter Great Red Spot 75 degrees prt 4 Instrument				NIMS
Requestor	NIMS-AWG/K. BAINES		Team	NIMS Working Group	AWG
Time System	CDS	Load ID	Calendar Date	06/28/97	Week 26
Start	JEE+CDS	00001109:00:0	97-179/06:38:52.799	JEE+000/18:41:19.333	
End	JEE+CDS	00001117:07:0	97-179/06:47:02.799	JEE+000/18:49:29.333	
Duration		00000008:07:0	000/00:08:10.000	000/00:08:10.000	
Top Label	C9JNGRS07504-				
Bottom Label					
Plot Key	NIMS	Type	SCI		
CDS Bytes	150	Report Options	BOTH	Scan Platform	Yes
CDS Source	OAP	Spin State	DUAL	DMS	Yes
Observation Objective					
<p>One of 14 OAPELS constituting the Great Red Spot feature tracks. This is the third of three observations obtained on a rotation with phase angle approximately 75 degrees. Jupiter imaged in 15 colors, using NIMS downlink wavelength table JFT15A. This observation acquired with Great Red Spot feature near the evening terminator, assuming feature coordinates 23 degrees south latitude (planetographic) and nominally 69 degrees west longitude (System III).</p>					
Data Returned					
Design Detail					
<p>Short map Nyquist-sampled observation of 2 X 1 (20 X 10 mrad) area centered on the heart of the GRS near 69 degrees west longitude, 23 degrees south planetographic latitude. Spacecraft distance 1.00 million KM, NIMS IFOV (NIMSel) = 500 KM; 2 X 1 mosaic covers 20000 X 10000 KM. About 200 seconds of scanning, accumulating 0.1454 MBTG in 15 colors, and using 0.00672 tracks. Three rims reserved for targetting.</p>					
<p>Note (5/6/97): GRS center longitude updated to 62 degrees West longitude. This observation covers 65 to 85 degrees W. longitude, i.e., Western half of the GRS.</p>					
Short Map (SM), Gain 2, Grating Start 1, LPU, C9JFT68B, C9JFT40A					
Galileo Activity Plan Form			06/09/97	10:29:45	rev 6/95



C9INCHEMIS04

165FO:TT= 0 TMC= 1 C= -3.00 XC= 0.00 BS= 0/6444 TC= 3
 A= 728 pD= 0 SR=17.450 RA50= 25.13 DEC50= 11.96 cone=112.50 clock=277.06
 117FO:#SB= 1 OR= 0.030 RR=12.000 BM=F RC= 1 BS= 0/6444
 1:#s= 2 Cs= 4.30 XCs= 0.00 Cr= -0.50 XCr= 0.00 sD= 438 rD= 28

TARGET G3.1 jdods: 6/ 3/1997 15: 7: 4

FILE:P.C9INCHEMIS04

TARGET BODY : IO

MINI:m.target

S/C EPH:/DATA/NAVIO/T-970513-tour.NS

PERIAPSIS:

THINNING:NIM 2

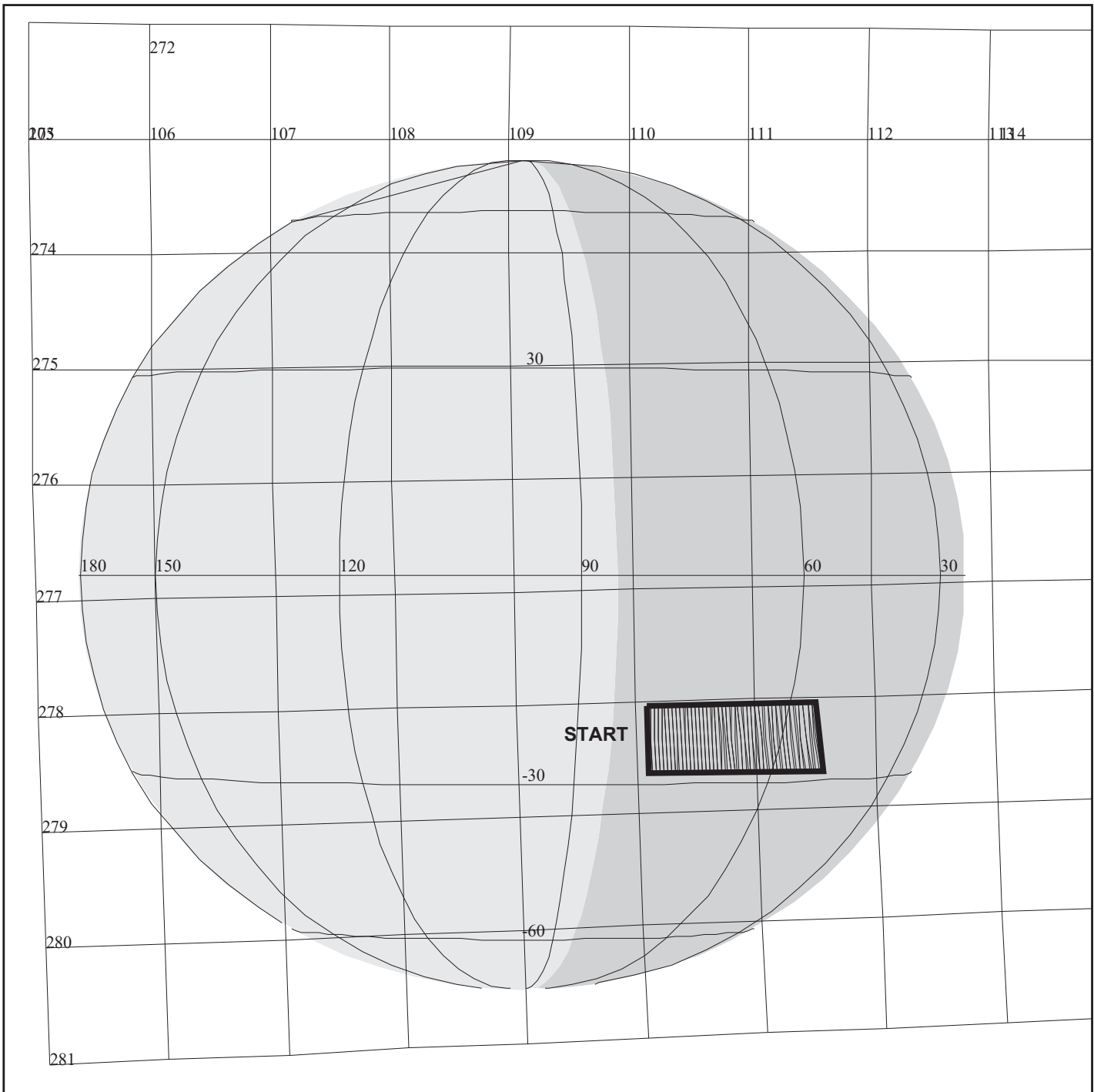
START:IEE 97-179/02:31:09.466 +CDS 264:00:0

BODY PLOT TIME:TARGET-TIME D= 0 S= 0.300

OBSERVATION:C9INCHEMIS04

DESCRIP:Io Chemis 4

Monitoring of Io's Dayside		ACTIVITY ID:	C9INCHEMIS04-		
		START TIME:	97-179/06:53:02.132		
Activity ID: Orbit C9 Target I Inst N OAPEL CHEMIS SeqNo 04 -					
Title	Monitoring of Io's Dayside		Instrument		NIMS
Requestor	NIMS-SWG/R.		Team	NIMS Working Group	SWG
Time System	CDS	Load ID	Calendar Date	06/28/97	Week 26
Start	IEE+CDS 00000259:00:0		97-179/06:53:02.132	IEE+000/04:21:52.666	
End	IEE+CDS 00000269:00:0		97-179/07:03:08.799	IEE+000/04:31:59.333	
Duration	00000010:00:0		000/00:10:06.667	000/00:10:06.667	
Top Label	C9INCHEMIS04-				
Bottom Label					
Plot Key	NIMS	Type	SCI		
CDS Bytes	150	Report Options	BOTH		
CDS Source	OAP	Spin State	DUAL		DMS
				Scan Platform	Yes
					Yes
Observation Objective					
<p>Dayside monitoring covering wide range of longitudes to look for chemical changes (e.g. SO2 distribution) at resolutions better than ~800 km/nimsel (most observations will have resolutions between 120 and 400 km/nimsel).</p>					
Data Returned					
Design Detail					
<p>Partial or full disk mosaics within C/A + or - 32 hours in all orbits. High priority orbits are G2, C3, E4, E6 and E10 where resolution for lit disk is best.</p> <p>Long map, 51 wavelengths. Tracks used per orbit: 0.05 to 0.42. Bits To Ground per orbit: 0.3 to 2.2 Mbits.</p>					
Long Map (LM), Gain 2, Grating Start 0, LPU, C9ILM243C, C9ILM228C					
Galileo Activity Plan Form			06/09/97	10:29:45	rev 6/95



C9JNGRS53M01

165FP:TT= 0 TMC= 1 C= -11.50 XC= 0.00 BS= 0/9174 TC= 1(-23 69)
 A= 546 pD= 0 SR=17.450 RA50= 27.86 DEC50= 11.69 cone=110.10 clock=278.34
 117FP:#SB= 1 OR= 0.030 RR=12.000 BM=F RC= 1 BS= 0/9174
 1:#s= 2 Cs= 21.80 XCs= 0.00 Cr= -22.90 XCr= 0.00 sD= 2184 rD= 364

TARGET G3.1 jdods: 6/ 3/1997 15: 7: 4

FILE:P.C9JNGRS53M01

CENTRAL BODY:JUPITER

MINI:m.target

S/C EPH:/DATA/NAVIO/T-970513-tour.NS

PERIAPSIS:

THINNING:NIM 2

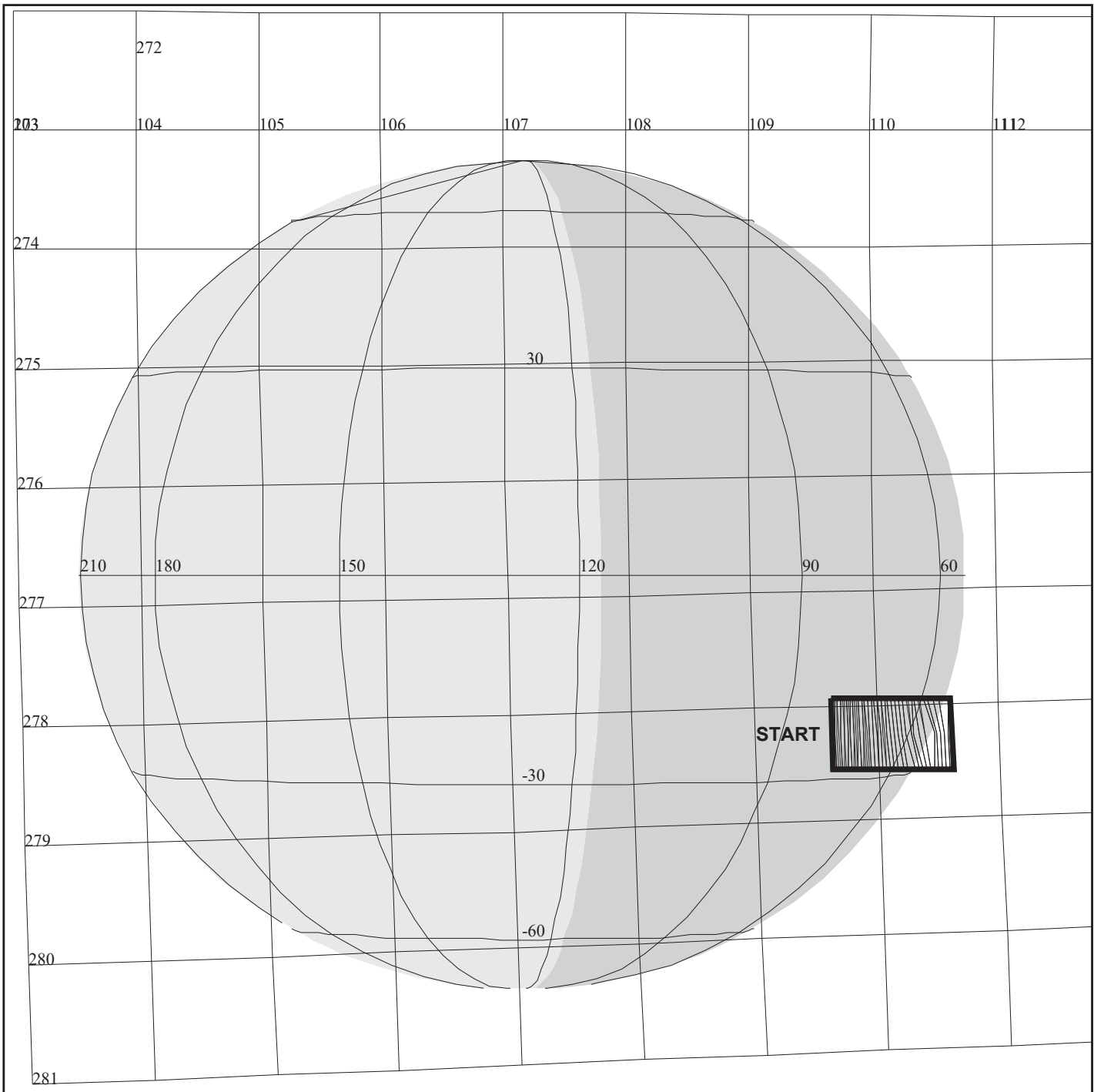
START:JEE 97-178/11:57:33.466 +CDS 1143:00:0

BODY PLOT TIME:TARGET-TIME D= 0 S= 0.850

OBSERVATION:C9JNGRS53M01

DESCRIP:JUP_GRS_5_AND_3_MICRON_MAP

Jupiter Great Red Spot 5 and 3 Microns		ACTIVITY ID:	C9JNGRS53M01-		
		START TIME:	97-179/07:09:02.799		
Activity ID: Orbit C9 Target J Inst N OAPeL GRS53M SeqNo 01 -					
Title	Jupiter Great Red Spot 5 and 3 Microns		Instrument	NIMS	
Requestor	NIMS-AWG/K. BAINES		Team	NIMS Working Group	AWG
Time System	CDS	Load ID	Calendar Date	06/28/97	Week 26
Start	JEE+CDS	00001138:76:0	97-179/07:09:02.799	JEE+000/19:11:29.333	
End	JEE+CDS	00001170:00:0	97-179/07:40:33.466	JEE+000/19:43:00.000	
Duration		00000031:15:0	000/00:31:30.667	000/00:31:30.667	
Top Label	C9JNGRS53M01-				
Bottom Label					
Plot Key	NIMS	Type	SCI		
CDS Bytes	150	Report Options	BOTH		
CDS Source	OAP	Spin State	DUAL	Scan Platform	Yes
			DMS		Yes
Observation Objective					
<p>High spectral resolution 5-micron and 3-micron night-time maps of trace species within the Great Red Spot campaign feature. The first scan is a 5-micron map, of complete spectral and spatial sampling over the 4.28 to 5.22 micron interval. The campaign feature, centered at 69 degrees west longitude (System III), 23 degrees south planetographic latitude, is observed near 30 degrees relative longitude during the phase angle approximately 75 degrees rotation. The feature is first scanned in the 157 wavelengths specified by NIMS wavelength table J35157. The second scan is a 3-micron map using 80 wavelengths specified by wavelength table J3M80B, spanning the wavelength range 2.50 - 3.44 microns.</p>					
Data Returned					
Design Detail					
<p>Two long map, Nyquist-sampled observations of 2 X 1 (20 X 10 mrad) area centered on the campaign feature. Spacecraft distance about 1.03 million KM, map covers 20600 X 10300 KM. Each observation encompasses about 12 minutes of scanning, including reposition slew, accumulating 0.72510 MBTG and using 0.02419 tracks. Three rims reserved for targetting. Two minutes reserved for reposition slew. Total OAPeL resources used: 1.4502 MBTG and 0.04838 tracks. Wavelength table changed from J5M80B to J3M80B during the reposition dlew between scans. SCIREC #1 stops at end of first scan. SCIREC #2 starts at beginning of subsequent scan.</p>					
<p>Note (5/6/97): GRS center longitude updated to 62 degrees West longitude. Observation covers 54 to 80 degrees W. longitude. Note: All data transmitted using J35157. Only first scan was recorded and returned.</p>					
Long Map (LM), Gain 4, Grating Start 0, LPU, C9J35157, C9J35157					
Galileo Activity Plan Form			06/09/97	10:29:45	rev 6/95 f



C9JNGRS5UM01

165FR:TT= 0 TMC= 1 C= -7.00 XC= 0.00 BS= 0/8638 TC= 1(-23 69)
 A= 728 pD= 0 SR=17.450 RA50= 28.26 DEC50= 11.93 cone=109.64 clock=278.25
 117FR:#SB= 1 OR= 0.020 RR=12.000 BM=F RC= 1 BS= 0/8638
 1:#s= 1 Cs= 10.90 XCs= 0.00 Cr= 0.00 XCr= 0.00 sD= 1638 rD= 2

TARGET G3.1 jdods: 6/ 3/1997 15: 7: 4

FILE:P.C9JNGRS5UM01

CENTRAL BODY:JUPITER

MINI:m.target

S/C EPH:/DATA/NAVIO/T-970513-tour.NS

PERIAPSIS:

THINNING:NIM 2

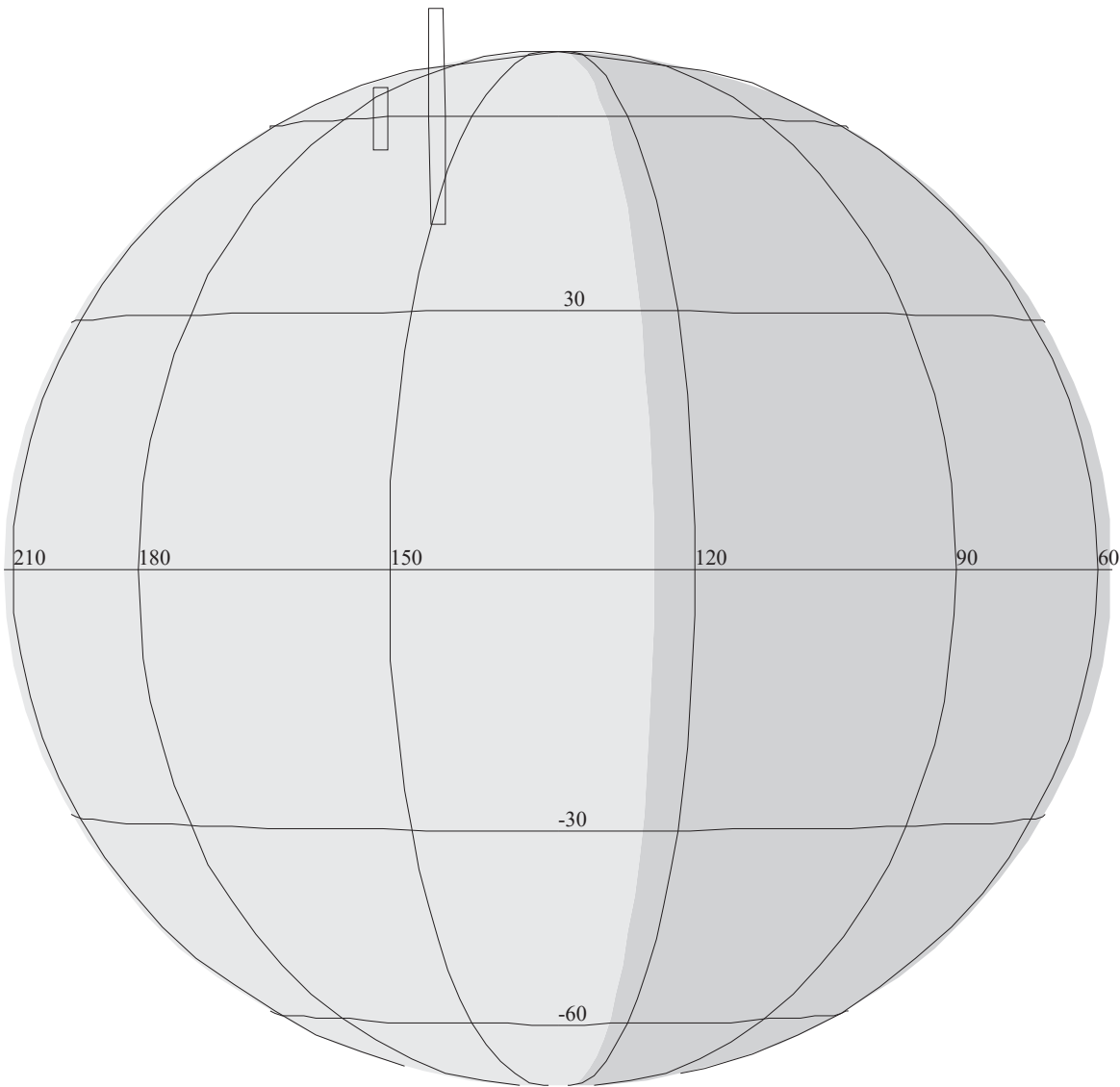
START:JEE 97-178/11:57:33.466 +CDS 1195:00:0

BODY PLOT TIME:TARGET-TIME D= 0 S= 0.850

OBSERVATION:C9JNGRS5UM01

DESCRIP:JUP_GREAT_RED_SPOT_5_MICRON_MAP

Jupiter Great Red Spot 5 Micron Map		ACTIVITY ID:	C9JNGRS5UM01-		
		START TIME:	97-179/08:00:46.799		
Activity ID: Orbit C9 Target J Inst N OAPEL GRS5UM SeqNo 01 -					
Title	Jupiter Great Red Spot 5 Micron Map		Instrument	NIMS	
Requestor	NIMS-AWG/K. BAINES		Team	NIMS Working Group	AWG
Time System	CDS	Load ID	Calendar Date	06/28/97	Week 26
Start	JEE+CDS	00001190:00:0	97-179/08:00:46.799	JEE+000/20:03:13.333	
End	JEE+CDS	00001204:00:0	97-179/08:14:56.132	JEE+000/20:17:22.666	
Duration		00000014:00:0	000/00:14:09.333	000/00:14:09.333	
Top Label	C9JNGRS5UM01-				
Bottom Label					
Plot Key	NIMS	Type	SCI		
CDS Bytes	150	Report Options	BOTH		
CDS Source	OAP	Spin State	DUAL	Scan Platform	Yes
			DMS		Yes
Observation Objective					
<p>High spectral resolution 5-micron night-time map of trace species within the Great Red Spot campaign feature. This is the second 5-um map obtained during the 75 degree phase angle rotation, the other having been obtained during OAPEL C9JNGRS53M01-. The campaign feature, centered at 69 degrees west longitude (System III), 23 degrees south planetographic latitude, observed near 60 degrees emission angle during the phase angle approximately 75 degrees rotation. The feature is scanned in the 157 wavelengths specified by NIMS wavelength table J35157: 4.28 - 5.22 microns.</p>					
Data Returned					
Design Detail					
<p>Long map, Nyquist-sampled observation of 1.5 X 1 (15 X 10 mrad) area centered on the Great Red Spot campaign feature. Spacecraft distance 1.07 million KM, map covers 16050 X 10700 KM at 535 IFOV resolution. About 9 minutes of scanning, accumulating 0.5499 MBTG and using 0.01834 tracks. Four rims reserved for targetting.</p>					
<p>Note (5/6/97): GRS center longitude updated to 62 degrees West longitude. Limb observation covers 46 to 80 degrees W. longitude.</p>					
Long Map (LM), Gain 4, Grating Start 0, LPU, C9J35157, C9J35157					
Galileo Activity Plan Form			06/09/97	10:29:45	rev 6/95



C9JNAURMAP03

165AQ:TT= 0 TMC=1 C= 0.00 XC= 0.00 BS= 0/0640 TC= 1(60 170)
 A= 182 pD= 0 SR=17.450 RA50= 30.60 DEC50= 17.39 cone=105.60 clock=273.72
 165AR:TT= 0 TMC=1 C= 0.00 XC= 0.00 BS= 0/6100 TC= 1(60 190)
 A= 182 pD= 0 SR=17.450 RA50= 31.73 DEC50= 17.77 cone=104.46 clock=273.75

TARGET G3.1 jdods: 6/ 3/1997 15: 7: 4

FILE:P.C9JUAURMAP04

CENTRAL BODY:JUPITER

MINI:m.target

S/C EPH:/DATA/NAVIO/T-970513-tour.NS

PERIAPSIS:

THINNING:UVS 10 :UVS 1

START:JEE 97-178/11:57:33.466 +CDS 1206:00:0

BODY PLOT TIME:TARGET-TIME D= 0 S= 0.850

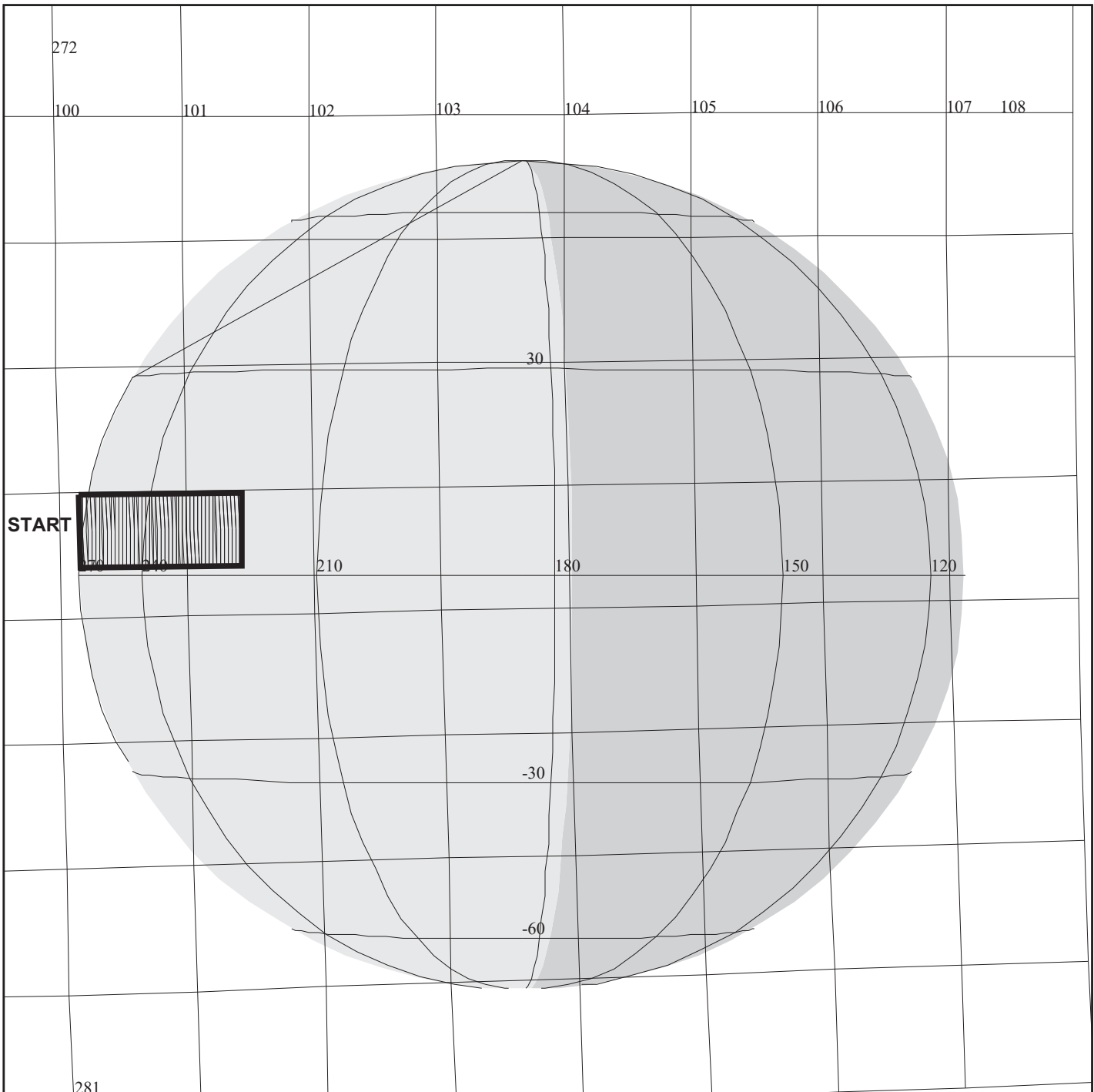
OBSERVATION:C9JUAURMAP04

DESCRIP:Auroral_Asymmetry_Map

NIMS Ride Along with UVS		ACTIVITY ID: C9JNAURMAP03+	
		START TIME: 97-179/08:37:10.799	
Activity ID: Orbit C9 Target J Inst N OAPEL AURMAP SeqNo 03 +			
Title	NIMS Ride Along with UVS		Instrument
Requestor	NIMS-AWG/K. BAINES		NIMS AWG
	Team	NIMS	Working Group
Time System	CDS	Load ID	Calendar Date 06/28/97 Week 26
Start	JEE+CDS 00001226:00:0	97-179/08:37:10.799	JEE+000/20:39:37.333
End	JEE+CDS 00001234:00:0	97-179/08:45:16.132	JEE+000/20:47:42.666
Duration	00000008:00:0	000/00:08:05.333	000/00:08:05.333
Top Label	C9JNAURMAP03+		
Bottom Label			
Plot Key	NIMS	Type	SCI
CDS Bytes	40	Report Options	BOTH
CDS Source	OAP	Spin State	DUAL
		Scan Platform	Yes
		DMS	No
Observation Objective			
Southern auroral map of dayside/nightside between 175-130 longitudes. Observe color ratios for H2 band particle energies.			
Data Returned			
Design Detail			
Ride-along with UVS (C9JUAURMAP04). Select 3 RIMS of real-time data.			
Mirror Blocked (1B,1B) (11011,11011)			
Long Map (LM), Gain 4, Grating Start 0, R/T, RT408			
Galileo Activity Plan Form		06/09/97 10:29:45	rev 6/95

This page BLANK

NIMS Real-Time Software Reload		ACTIVITY ID: C9NNRELOAD09-	
		START TIME: 97-179/08:46:16.799	
Activity ID: Orbit C9 Target N Inst N OAPEL RELOAD SeqNo 09 -			
Title	NIMS Real-Time Software Reload		Instrument
Requestor	NIMS-AWG/K. BAINES	Team	NIMS Working Group
			NIMS AWG
Time System	CDS	Load ID	Calendar Date 06/28/97 Week 26
Start	JEE+CDS 00001235:00:0	97-179/08:46:16.799	JEE+000/20:48:43.333
End	JEE+CDS 00001245:00:0	97-179/08:56:23.466	JEE+000/20:58:50.000
Duration	00000010:00:0	000/00:10:06.667	000/00:10:06.667
Top Label	C9NNRELOAD09-		
Bottom Label			
Plot Key	NIMS	Type	SCI
CDS Bytes	150	Report Options	BOTH
CDS Source	OAP	Spin State	DUAL
		Scan Platform	No
		DMS	No
Observation Objective			
<p>Reload NIMS software to prevent loss of science observations. These loads are placed strtegeticaly to protect high priority science.</p> <p>Memory reload from CDS to NIMS and restart. Diagnostic Checksum, Processor Halt, Memory Reload from CDS, Instrument Restart, and Operational Mode Set.</p>			
Design Detail			
<p>Use a standard set of commands to halt the instrument, load the software and reinitialize the instrument.</p> <p>6CKSUM - Check Sum NIMS RAM 1000 - 14BC 37PL - Halt NIMS Processor (37PL) 37MRL - Memory Reallocate 6MCPY - Copy flight software from CDS to NIMS 1000 6MCPY - Copy flight software from CDS to NIMS 1598 37IRT - Instrument Reset 37MN - Memory Normal 37IST - Chopper Reference.</p>			
Galileo Activity Plan Form		06/09/97 10:29:45 rev 6/95	



C9JNFEA08501

165FS:TT= 0 TMC= 1 C= -4.50 XC= 0.00 BS= 0/6656 TC= 1(6.5 249)
 A= 364 pD= 0 SR=17.450 RA50= 36.84 DEC50= 16.85 cone=100.17 clock=276.30
 117FS:#SB= 1 OR= 0.100 RR=12.000 BM=F RC= 1 BS= 0/6656
 1:#s= 1 Cs= 21.90 XCs= 0.00 Cr= 0.00 XCr= 0.00 sD= 600 rD= 2

TARGET G3.1 jdods: 6/ 3/1997 15: 7: 4

FILE:P.C9JNFEA08501

CENTRAL BODY:JUPITER

MINI:m.target

S/C EPH:/DATA/NAVIO/T-970513-tour.NS

PERIAPSIS:

THINNING:NIM 2

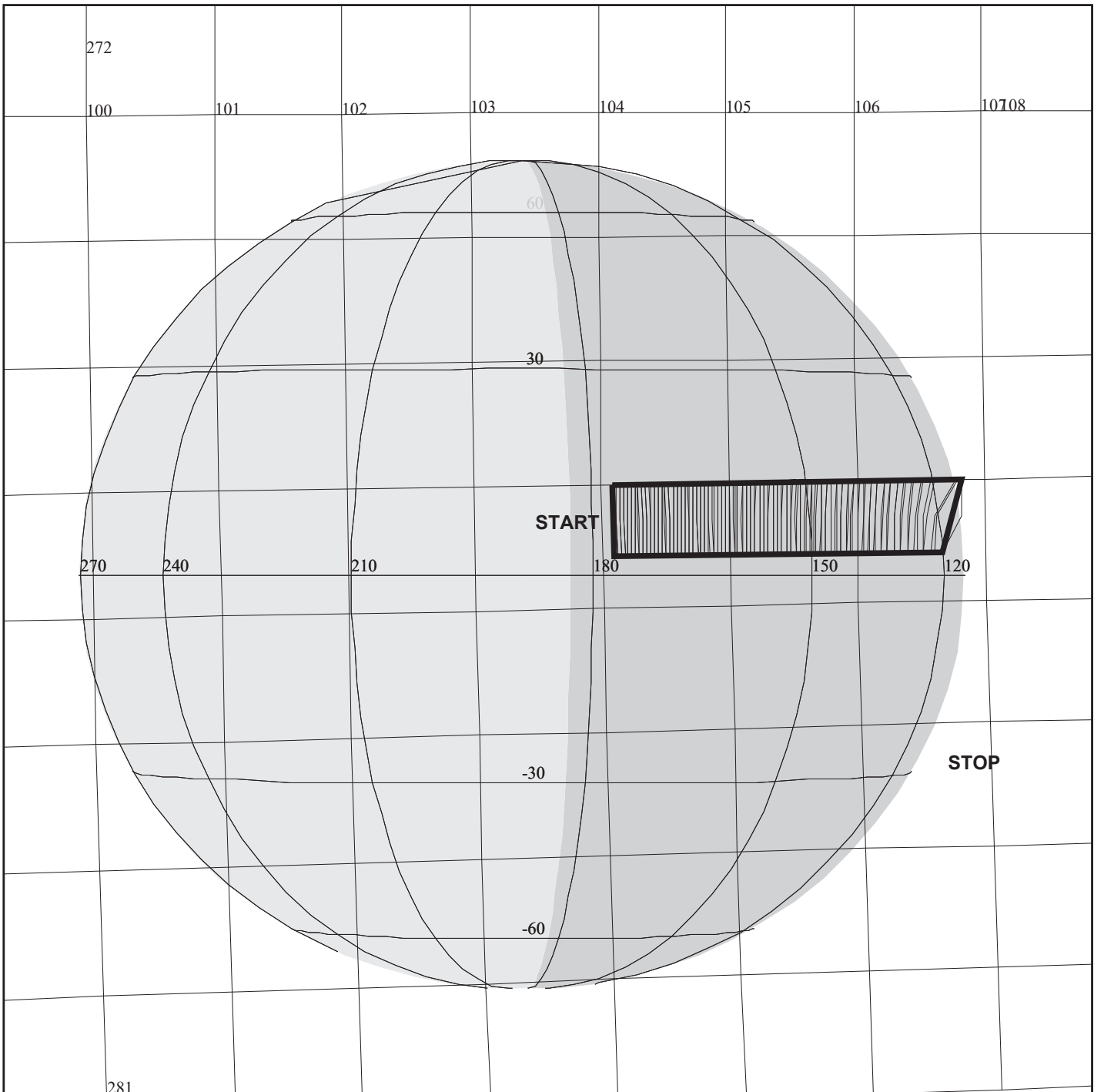
START:JEE 97-178/11:57:33.466 +CDS 1294:00:0

BODY PLOT TIME:TARGET-TIME D= 0 S= 0.850

OBSERVATION:C9JNFEA08501

DESCRIP:Jup_Fea_trk_85_deg_phase_01

Jupiter Ftr Trk 85 degrees Phase part 1		ACTIVITY ID:	C9JNFEA08501-		
		START TIME:	97-179/09:42:55.466		
Activity ID: Orbit C9 Target J Inst N OAPEL FEA085 SeqNo 01 -					
Title	Jupiter Ftr Trk 85 degrees Phase part 1 Instrument				NIMS
Requestor	NIMS-AWG/K. BAINES		Team	NIMS Working Group	AWG
Time System	CDS	Load ID	Calendar Date	06/28/97	Week 26
Start	JEE+CDS	00001291:02:0	97-179/09:42:55.466	JEE+000/21:45:22.000	
End	JEE+CDS	00001298:06:0	97-179/09:50:02.799	JEE+000/21:52:29.333	
Duration		00000007:04:0	000/00:07:07.333	000/00:07:07.333	
Top Label	C9JNFEA08501-				
Bottom Label					
Plot Key	NIMS	Type	SCI		
CDS Bytes	150	Report Options	BOTH	Scan Platform	Yes
CDS Source	OAP	Spin State	DUAL	DMS	Yes
Observation Objective					
<p>One of 12 OAPELS constituting the feature tracks the Hot Spot/Plume feature campaign. This is the first of four observations obtained on a rotation with phase angle approximately 85 degrees. Jupiter imaged in 15 colors, using NIMS downlink wavelength table JFT15A. This observation acquired with Hot Spot/Plume feature at the morning limb, assuming feature coordinates 6.5 degrees north latitude (planetographic) and nominally 263 degrees west longitude (System III). This OAPEL incorporated inside a slide-able window to allow targetting of the best Hot Spot/Plume coordinate.</p>					
Data Returned					
Design Detail					
<p>Short map, Nyquist-sampled observation of 2 X 1 (20 X 10 mrad) area centered on Hot Spot/Plume feature nominally near 263 degrees west longitude, 6.5 degrees north planetographic latitude. Spacecraft distance 1.1 million KM, NIMS IFOV (NIMSel) = 550 KM; 2 X 1 mosaic covers 22000 X 11000 KM. About 200 seconds of scanning, accumulating 0.1454 MBTG in 15 colors, and using 0.00672 tracks. Four rims reserved for targetting.</p>					
Short Map (SM), Gain 2, Grating Start 1, LPU, C9JFT68B, C9JFT40A					
Galileo Activity Plan Form			06/09/97	10:29:45	rev 6/95



C9JNTHRCYL03

165FT:TT= 0 TMC= 1 C= -13.00 XC= 0.00 BS= 0/8112 TC= 1(8 165)
 A= 182 pD= 0 SR=17.450 RA50= 32.98 DEC50= 15.58 cone=104.09 clock=276.29
 117FT:#SB= 1 OR= 0.030 RR=12.000 BM=F RC= 1 BS= 0/8112
 1:#s= 1 Cs= 35.90 XCs= 0.00 Cr= 0.00 XCr= 0.00 sD= 3598 rD= 2

TARGET G3.1 jdods: 6/ 3/1997 15: 7: 4

FILE:P.C9JNTHRCYL03

CENTRAL BODY:JUPITER

MINI:m.target

S/C EPH:/DATA/NAVIO/T-970513-tour.NS

PERIAPSIS:

START:JEE 97-178/11:57:33.466 +CDS 1302:00:0

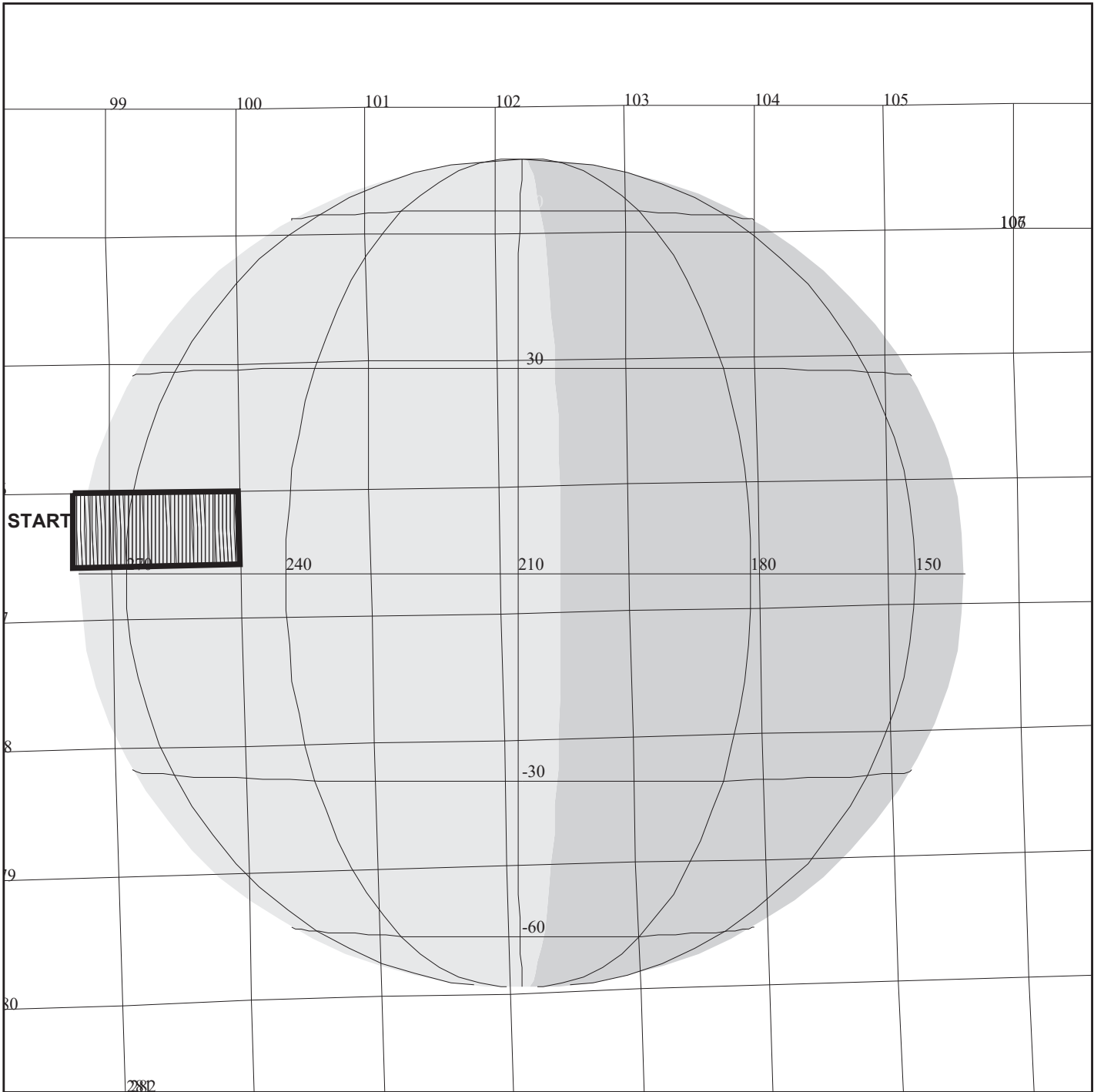
OBSERVATION:C9JNTHRCYL03

THINNING:NIM 2

BODY PLOT TIME:TARGET-TIME D= 0 S= 0.850

DESCRIP:JUPITER_THERMAL_CYCLE_MAP_PART_3

Jupiter Thermal Cylindrical Map part 3		ACTIVITY ID:	C9JNTHRCYL03-		
		START TIME:	97-179/09:52:02.799		
Activity ID: Orbit C9 Target J Inst N OAPEL THRCYL SeqNo 03 -					
Title	Jupiter Thermal Cylindrical Map part 3			Instrument	NIMS
Requestor	NIMS-AWG/K. BAINES		Team	NIMS Working Group	AWG
Time System	CDS	Load ID	Calendar Date	06/28/97	Week 26
Start	JEE+CDS	00001300:04:0	97-179/09:52:02.799	JEE+000/21:54:29.333	
End	JEE+CDS	00001321:74:0	97-179/10:14:03.466	JEE+000/22:16:30.000	
Duration		00000021:70:0	000/00:22:00.667	000/00:22:00.667	
Top Label	C9JNTHRCYL03-				
Bottom Label					
Plot Key	NIMS	Type	SCI		
CDS Bytes	150	Report Options	BOTH	Scan Platform	Yes
CDS Source	OAP	Spin State	DUAL	DMS	Yes
Observation Objective					
<p>Part one of seven OAPELS constituting the Jupiter Cylindrical map of the 8-degrees north latitude Hotspot region to assess lower-tropospheric properties such as phosphine and water abundance variation with longitude, and 5-micron variability of ammonia cloud opacity. Night time observation near 15 degrees relative longitude 10 degrees to the east of the terminator obtained during 85 degree phase angle opportunity near 15 Rj using NIMS wavelength table J5M80B spanning 4.279 - 5.22 microns. Equatorial longitude approximately 165 degrees west longitude.</p> <p>Note: OAPELS THRCYL01 and THRCYL02 moved to the end of the Thermal Cycle sequence to accomodate UVS Aurora map.</p> <p>Data Returned</p>					
Design Detail					
<p>Long map, Nyquist sampled observation of 5 X 1 (50 mrad X 10 mrad) area centered near 9-degrees north latitude, 165 degrees west longitude, covering about 30 degrees of longitude at about 550 KM IFOV spatial resolution.</p> <p>Science scan lasts 200 X 8.666 = 1732 secs = 28:52 = 28:50 CDS accumulating 1.7443 MBTG in 80 colors, and using 0.05819 tracks. One rim available for targetting.</p>					
Long Map (LM), Gain 4, Grating Start 0, LPU, C9J5M253B, C9J5M127B					
Galileo Activity Plan Form			06/09/97	10:29:45	rev 6/95



C9JNFEA08502

165FV:TT= 0 TMC= 1 C= -11.00 XC= 0.00 BS= 0/4664 TC= 1(6.5 263)
 A= 728 pD= 0 SR=17.450 RA50= 38.28 DEC50= 17.33 cone= 98.71 clock=276.28
 117FV:#SB= 1 OR= 0.100 RR=12.000 BM=F RC= 1 BS= 0/4664
 1:#s= 1 Cs= 21.90 XCs= 0.00 Cr= 0.00 XCr= 0.00 sD= 600 rD= 2

TARGET G3.1 jdods: 6/ 3/1997 15: 7: 4

FILE:P.C9JNFEA08502

CENTRAL BODY:JUPITER

MINI:m.target

S/C EPH:/DATA/NAVIO/T-970513-tour.NS

PERIAPSIS:

THINNING:NIM 2

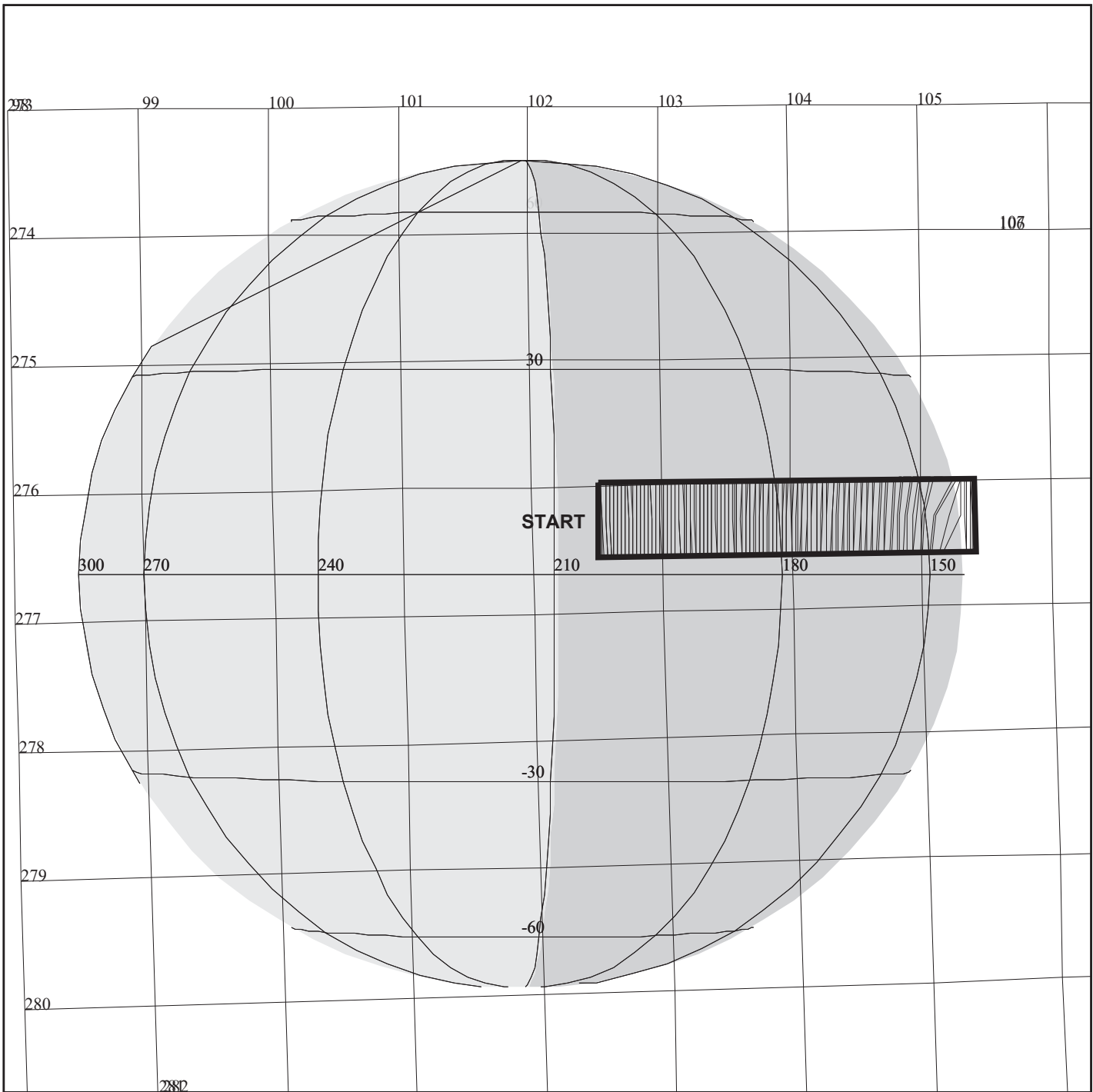
START:JEE 97-178/11:57:33.466 +CDS 1338:00:0

BODY PLOT TIME:TARGET-TIME D= 0 S= 0.850

OBSERVATION:C9JNFEA08502

DESCRIP:Jup_Fea_trk_85_deg_phase_02

Jupiter Ftr Trk 85 degrees Phase part 2		ACTIVITY ID:	C9JNFEA08502-		
		START TIME:	97-179/10:26:02.799		
Activity ID: Orbit C9 Target J Inst N OAPEL FEA085 SeqNo 02 -					
Title	Jupiter Ftr Trk 85 degrees Phase part 2 Instrument				NIMS
Requestor	NIMS-AWG/K. BAINES		Team	NIMS Working Group	AWG
Time System	CDS	Load ID	Calendar Date	06/28/97	Week 26
Start	JEE+CDS	00001333:61:0	97-179/10:26:02.799	JEE+000/22:28:29.333	
End	JEE+CDS	00001343:51:0	97-179/10:36:02.799	JEE+000/22:38:29.333	
Duration		00000009:81:0	000/00:10:00.000	000/00:10:00.000	
Top Label	C9JNFEA08502-				
Bottom Label					
Plot Key	NIMS	Type	SCI		
CDS Bytes	150	Report Options	BOTH		
CDS Source	OAP	Spin State	DUAL	Scan Platform	Yes
			DMS		Yes
Observation Objective					
<p>One of 12 OAPELS constituting the feature tracks the Hot Spot/Plume feature campaign. This is the second of four observations obtained on a rotation with phase angle approximately 85 degrees. Jupiter imaged in 15 colors, using NIMS downlink wavelength table JFT15A. This observation acquired with Hot Spot/Plume feature near minimum airmass, assuming feature coordinates 8 degrees north latitude (planetographic) and nominally 249 degrees west longitude (System III). This OAPEL incorporated inside a slide-able window to allow targetting of the best Hot Spot/Plume coordinate.</p>					
Data Returned					
Design Detail					
<p>Short map, Nyquist-sampled observation of 2 X 1 (20 X 10 mrad) area centered on Hot Spot/Plume feature nominally near 249 degrees west longitude, 8 degrees north planetographic latitude. Spacecraft distance 1.1 million KM, NIMS IFOV (NIMSel) = 550 KM; 2 X 1 mosaic covers 22000 X 11000 KM. About 200 seconds of scanning, accumulating 0.1454 MBTG in 15 colors, and using 0.00672 tracks. Four rims reserved for targetting.</p>					
<p>NOTE 5/15/97: Target coordinates chaged to 263 degrees West longitude, 6.5 degrees North latitude, to encompass both hotspot and plume head.</p>					
Short Map (SM), Gain 2, Grating Start 1, LPU, C9JFT68B, C9JFT40A					
Galileo Activity Plan Form			06/09/97	10:29:46	rev 6/95



C9JNTHRCYL04

165FW:TT= 0 TMC=1 C= -15.00 XC= 0.00 BS= 0/6120 TC= 1/8 190)
 A= 182 pD= 0 SR=17.450 RA50= 34.51 DEC50= 16.12 cone=102.52 clock=276.27
 117FW:#SB= 1 OR= 0.030 RR=12.000 BM=F RC= 1 BS= 0/6120
 1:#s= 1 Cs= 38.09 XC= 0.00 Cr= 0.00 XCr= 0.00 sD= 3822 rD= 2

TARGET G3.1 jdods: 6/ 3/1997 15: 7: 4

FILE:P.C9JNTHRCYL04

CENTRAL BODY:JUPITER

MINI:m.target

S/C EPH:/DATA/NAVIO/T-970513-tour.NS

PERIAPSIS:

THINNING:NIM 2

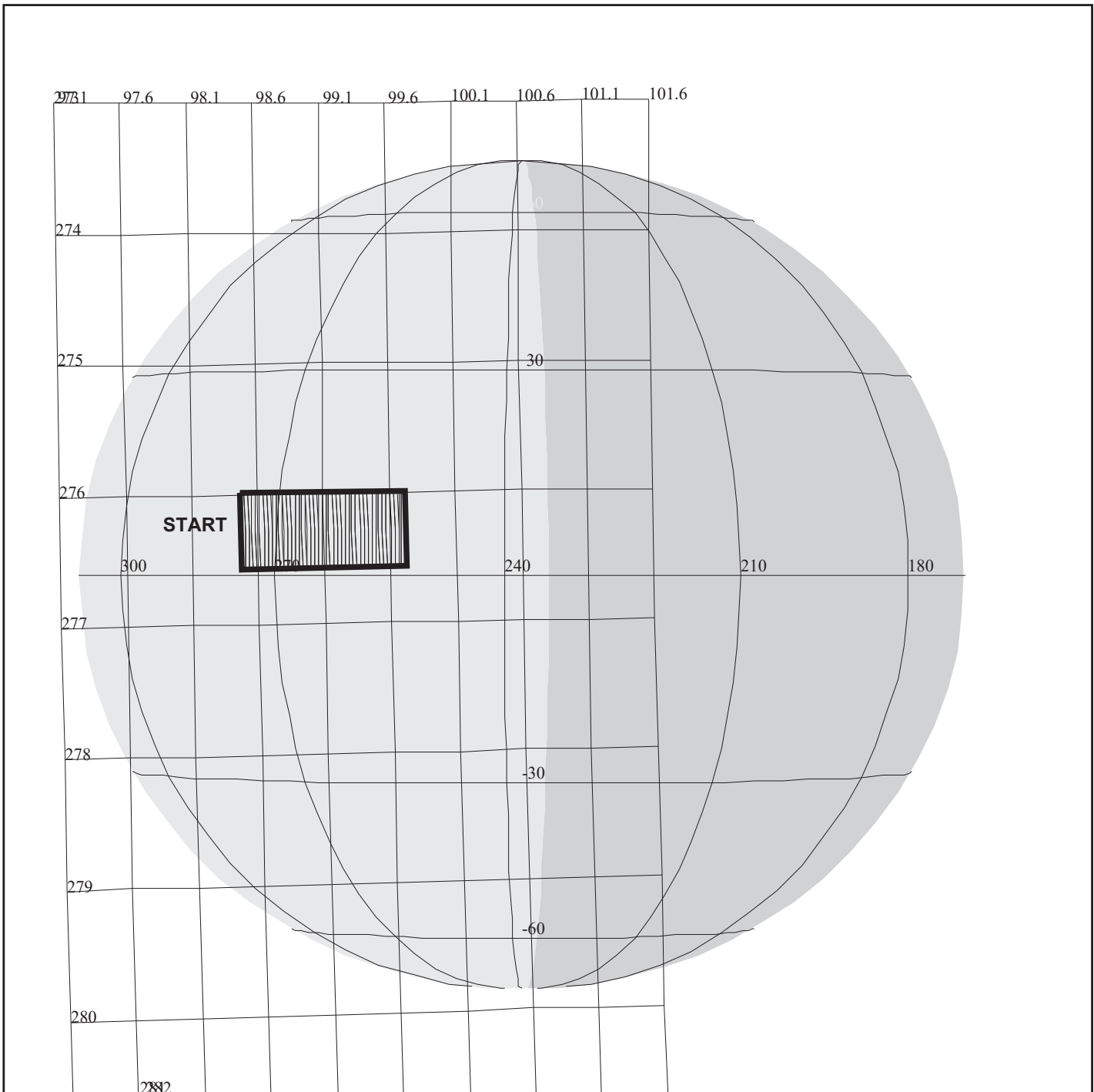
START:JEE 97-178/11:57:33.466 +CDS 1346:00:0

BODY PLOT TIME:TARGET-TIME D= 0 S= 0.850

OBSERVATION:C9JNTHRCYL04

DESCRIP:JUPITER_THERMAL_CYCLE_MAP_PART_4

Jupiter Thermal Cylindrical Map part 4		ACTIVITY ID:	C9JNTHRCYL04-		
		START TIME:	97-179/10:37:02.799		
Activity ID: Orbit C9 Target J Inst N OAPEL THRCYL SeqNo 04 -					
Title	Jupiter Thermal Cylindrical Map part 4		Instrument	NIMS	
Requestor	NIMS-AWG/K. BAINES		Team	NIMS Working Group	AWG
Time System	CDS	Load ID	Calendar Date	06/28/97	Week 26
Start	JEE+CDS	00001344:50:0	97-179/10:37:02.799	JEE+000/22:39:29.333	
End	JEE+CDS	00001366:28:0	97-179/10:59:02.799	JEE+000/23:01:29.333	
Duration		00000021:69:0	000/00:22:00.000	000/00:22:00.000	
Top Label	C9JNTHRCYL04-				
Bottom Label					
Plot Key	NIMS	Type	SCI		
CDS Bytes	150	Report Options	BOTH	Scan Platform	Yes
CDS Source	OAP	Spin State	DUAL	DMS	Yes
Observation Objective					
<p>Part two of seven OAPELS constituting the Jupiter Cylindrical map of the 8-degrees north latitude Hotspot region to assess lower-tropospheric properties such as phosphine and water abundance variation with longitude, and 5-micron variability of ammonia cloud opacity. Night time observation near 15 degrees relative longitude 10 degrees to the east of the terminator obtained during 85 degree phase angle opportunity near 15 Rj using NIMS wavelength table J5M80B spanning 4.279 - 5.22 microns. Equatorial longitude approximately 190 degrees west longitude.</p>					
Data Returned					
Design Detail					
<p>Long map, Nyquist sampled observation of 5 X 1 (50 mrad X 10 mrad) area centered near 9-degrees north latitude, 190 degrees west longitude, covering about 30 degrees of longitude at about 550 KM IFOV spatial resolution.</p> <p>Science scan lasts 200 X 8.666 = 1732 secs = 28:52 = 28:50 CDS accumulating 1.7443 MBTG in 80 colors, and using 0.05819 tracks. One rim available for targetting.</p>					
Long Map (LM), Gain 4, Grating Start 0, LPU, C9J5M253B, C9J5M127B					
Galileo Activity Plan Form			06/09/97	10:29:46	rev 6/95



C9JNFEA08503

165FY:TT= 0 TMC= 1 C= -11.00 XC= 0.00 BS= 0/3582 TC= 1(6.5 263)
 A= 728 pD= 0 SR=17.450 RA50= 38.51 DEC50= 17.41 cone= 98.48 clock=276.28
 117FY:#SB= 1 OR= 0.100 RR=12.000 BM=F RC= 1 BS= 0/3582
 1:#s= 1 Cs= 21.90 XCs= 0.00 Cr= 0.00 XCr= 0.00 sD= 600 rD= 2

TARGET G3.1 jdods: 6/ 3/1997 15: 7: 4

FILE:P.C9JNFEA08503

CENTRAL BODY:JUPITER

MINI:m.target

S/C EPH:/DATA/NAVIO/T-970513-tour.NS

PERIAPSIS:

THINNING:NIM 2

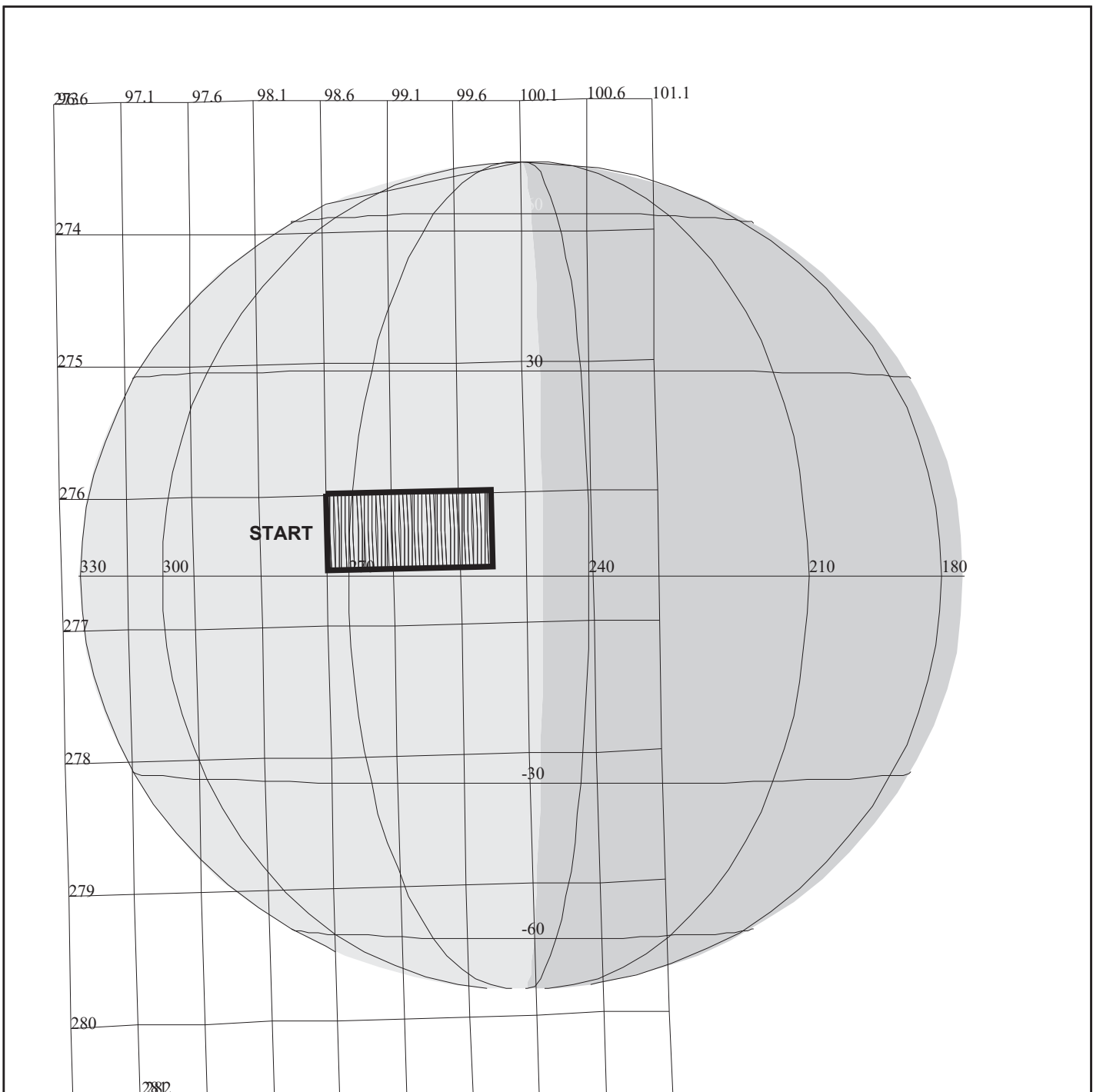
START:JEE 97-178/11:57:33.466 +CDS 1387:00:0

BODY PLOT TIME:TARGET-TIME D= 0 S= 0.850

OBSERVATION:C9JNFEA08503

DESCRIP:Jup_Fea_trk_85_deg_phase_03

Jupiter Ftr Trk 85 degrees Phase part 3		ACTIVITY ID:	C9JNFEA08503-		
		START TIME:	97-179/11:14:54.799		
Activity ID: Orbit C9 Target J Inst N OAPEL FEA085 SeqNo 03 -					
Title	Jupiter Ftr Trk 85 degrees Phase part 3 Instrument				NIMS
Requestor	NIMS-AWG/K. BAINES		Team	NIMS Working Group	AWG
Time System	CDS	Load ID	Calendar Date	06/28/97	Week 26
Start	JEE+CDS	00001382:00:0	97-179/11:14:54.799	JEE+000/23:17:21.333	
End	JEE+CDS	00001391:00:0	97-179/11:24:00.799	JEE+000/23:26:27.333	
Duration		00000009:00:0	000/00:09:06.000	000/00:09:06.000	
Top Label	C9JNFEA08503-				
Bottom Label					
Plot Key	NIMS	Type	SCI		
CDS Bytes	150	Report Options	BOTH		
CDS Source	OAP	Spin State	DUAL	Scan Platform	Yes
			DMS		Yes
Observation Objective					
<p>One of 12 OAPELS constituting the feature tracks the Hot Spot/Plume feature campaign. This is the third of four observations obtained on a rotation with phase angle approximately 85 degrees. Jupiter imaged in 15 colors, using NIMS downlink wavelength table JFT15A. This observation acquired with Hot Spot/Plume feature near evening terminator, assuming feature coordinates 8 degrees north latitude (planetographic) and nominally 249 degrees west longitude (System III). This OAPEL incorporated inside a slide-able window to allow targetting of the best Hot Spot/Plume coordinate.</p>					
Data Returned					
Design Detail					
<p>Short map, Nyquist-sampled observation of 2 X 1 (20 X 10 mrad) area centered on Hot Spot/Plume feature nominally near 249 degrees west longitude, 8 degrees north planetographic latitude. Spacecraft distance 1.1 million KM, NIMS IFOV (NIMSel) = 550 KM; 2 X 1 mosaic covers 22000 X 11000 KM. About 200 seconds of scanning, accumulating 0.1454 MBTG in 15 colors, and using 0.00672 tracks. Four rims reserved for targetting.</p>					
<p>NOTE 5/15/97: Target coordinates chaged to 263 degrees West longitude, 6.5 degrees North latitude, to encompass both hotspot and plume head.</p>					
Short Map (SM), Gain 2, Grating Start 1, LPU, C9JFT68B, C9JFT40A					
Galileo Activity Plan Form			06/09/97	10:29:46	rev 6/95



C9JNFEA08504

165FZ:TT= 0 TMC= 1 C= -10.00 XC= 0.00 BS= 0/6858 TC= 1(6.5 263)
 A= 728 pD= 0 SR=17.450 RA50= 38.41 DEC50= 17.38 cone= 98.58 clock=276.28
 117FZ:#SB= 1 OR= 0.100 RR=12.000 BM=F RC= 1 BS= 0/6858
 1:#s= 1 Cs= 21.90 XCs= 0.00 Cr= 0.00 XCr= 0.00 sD= 600 rD= 2

TARGET G3.1 jdods: 6/ 3/1997 15: 7: 4

FILE:P.C9JNFEA08504

CENTRAL BODY:JUPITER

MINI:m.target

S/C EPH:/DATA/NAVIO/T-970513-tour.NS

PERIAPSIS:

THINNING:NIM 2

START:JEE 97-178/11:57:33.466 +CDS 1405:00:0

BODY PLOT TIME:TARGET-TIME D= 0 S= 0.850

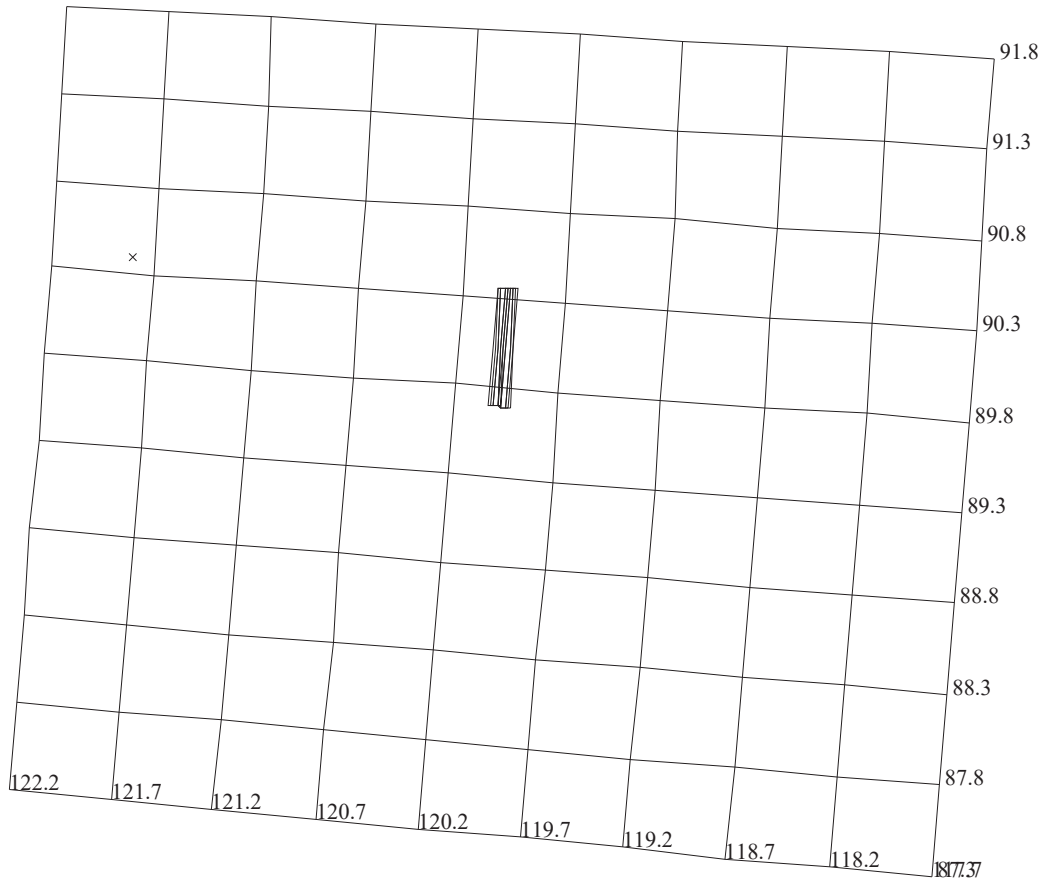
OBSERVATION:C9JNFEA08504

DESCRIP:Jup_Fea_trk_85_deg_phase_04

Jupiter Ftr Trk 85 degrees Phase part 4		ACTIVITY ID:	C9JNFEA08504-		
		START TIME:	97-179/11:34:02.799		
Activity ID: Orbit C9 Target J Inst N OAPEL FEA085 SeqNo 04 -					
Title	Jupiter Ftr Trk 85 degrees Phase part 4 Instrument				NIMS
Requestor	NIMS-AWG/K. BAINES		Team	NIMS Working Group	AWG
Time System	CDS	Load ID	Calendar Date	06/28/97	Week 26
Start	JEE+CDS	00001400:84:0	97-179/11:34:02.799	JEE+000/23:36:29.333	
End	JEE+CDS	00001408:76:0	97-179/11:42:02.799	JEE+000/23:44:29.333	
Duration		00000007:83:0	000/00:08:00.000	000/00:08:00.000	
Top Label	C9JNFEA08504-				
Bottom Label					
Plot Key	NIMS	Type	SCI		
CDS Bytes	150	Report Options	BOTH	Scan Platform	Yes
CDS Source	OAP	Spin State	DUAL	DMS	Yes
Observation Objective					
<p>One of 12 OAPELS constituting the feature tracks the Hot Spot/Plume feature campaign. This is the fourth of four observations obtained on a rotation with phase angle approximately 85 degrees. Jupiter imaged in 15 colors, using NIMS downlink wavelength table JFT15A. This observation acquired with Hot Spot/Plume feature near the central meridian at the evening terminator, assuming feature coordinates 6.5 degrees north latitude (planetographic) and nominally 263 degrees west longitude (System III). This OAPEL incorporated inside a slide-able window to allow targetting of the best Hot Spot/Plume coordinate.</p>					
Data Returned					
Design Detail					
<p>Short map, Nyquist-sampled observation of 2 X 1 (208X 10 mrad) area centered on Hot Spot/Plume feature nominally near 263 degrees west longitude, 6.5 degrees north planetographic latitude. Spacecraft distance 1.1 million KM, NIMS IFOV (NIMSel) = 550 KM; 2 X 1 mosaic covers 22000 X 11000 KM. About 200 seconds of scanning, accumulating 0.1454 MBTG in 15 colors, and using 0.00672 tracks. Four rims reserved for targetting.</p>					
Short Map (SM), Gain 2, Grating Start 1, LPU, C9JFT68B, C9JFT40A					
Galileo Activity Plan Form			06/09/97	10:29:46	rev 6/95

This page BLANK

NIMS Real-Time Software Reload		ACTIVITY ID: C9NNRELOAD10-	
		START TIME: 97-179/12:04:27.466	
Activity ID: Orbit C9 Target N Inst N OAPEL RELOAD SeqNo 10 -			
Title	NIMS Real-Time Software Reload		Instrument
Requestor	NIMS-SWG/J. HUI	Team	NIMS Working Group
			NIMS AWG
Time System	CDS	Load ID	Calendar Date 06/28/97 Week 26
Start	JEE+CDS 00001431:00:0	97-179/12:04:27.466	JEE+001/00:06:54.000
End	JEE+CDS 00001441:00:0	97-179/12:14:34.132	JEE+001/00:17:00.666
Duration	00000010:00:0	000/00:10:06.666	000/00:10:06.666
Top Label	C9NNRELOAD10-		
Bottom Label			
Plot Key	NIMS	Type	SCI
CDS Bytes	150	Report Options	BOTH
CDS Source	OAP	Spin State	DUAL
			Scan Platform
			DMS
			No
			No
Observation Objective			
<p>Reload NIMS software to prevent loss of science observations. These loads are placed strtegeticaly to protect high priority science.</p> <p>Memory reload from CDS to NIMS and restart. Diagnostic Checksum, Processor Halt, Memory Reload from CDS, Instrument Restart, and Operational Mode Set.</p>			
Design Detail			
<p>Use a standard set of commands to halt the instrument, load the software and reinitialize the instrument.</p> <p>6CKSUM - Check Sum NIMS RAM 1000 - 14BC 37PL - Halt NIMS Processor (37PL) 37MRL - Memory Reallocate 6MCPY - Copy flight software from CDS to NIMS 1000 6MCPY - Copy flight software from CDS to NIMS 1598 37IRT - Instrument Reset 37MN - Memory Normal 37IST - Chopper Reference.</p>			
Galileo Activity Plan Form		06/09/97 10:29:46 rev 6/95	



C9HNDARK__04

165LB:TT= 0 TMC= 1 C= 0.00 XC= 0.00 BS= 0/3956 TC= 2(120 90)
 A= 728 pD= 0 SR=17.450 RA50=259.01 DEC50=-30.17 cone=120.00 clock= 90.00
 117LB:#SB= 1 OR= 0.030 RR=12.000 BM=F RC= 1 BS= 0/3956
 1:#s= 1 Cs= -1.70 XCs= 0.00 Cr= 0.00 XCr= 0.00 sD= 182 rD= 2

TARGET G3.1 jdods: 6/ 3/1997 15: 7: 4

FILE:P.C9HNDARK__04

CENTRAL BODY:JUPITER

MINI:m.target

S/C EPH:/DATA/NAVIO/T-970513-tour.NS

PERIAPSIS:

THINNING:NIM 1

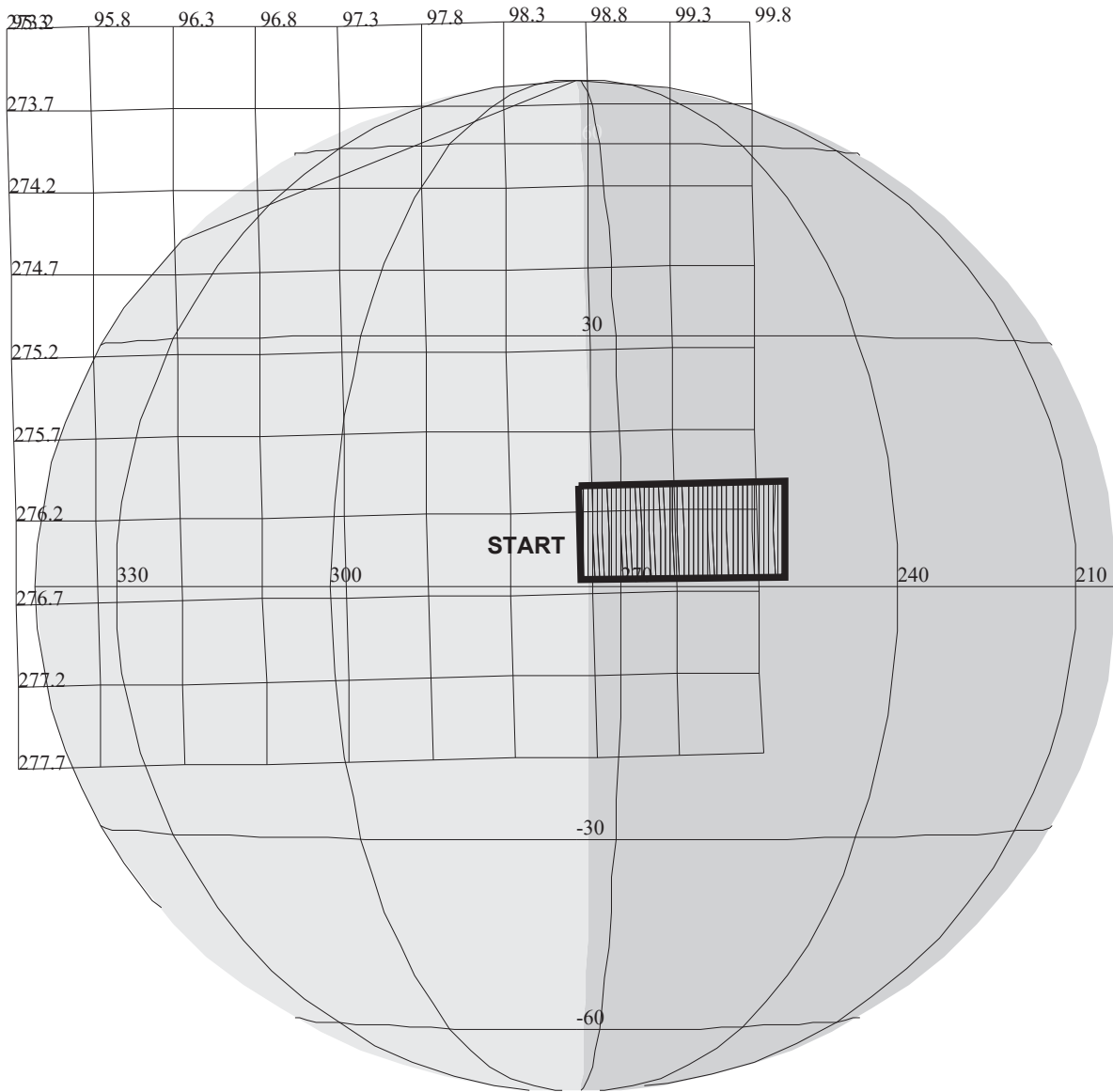
START:JEE 97-178/11:57:33.466 +CDS 1444:00:0

BODY PLOT TIME:TARGET-TIME D= 0 S= 1.000

OBSERVATION:C9HNDARK__04

DESCRIP:NIMS_DARK_OBSERVATION

NIMS Dark Observation		ACTIVITY ID: C9HNDARK_04-	
		START TIME: 97-179/12:12:32.799	
Activity ID: Orbit C9 Target H Inst N OAPEL DARK__ SeqNo 04 -			
Title	NIMS Dark Observation		Instrument
Requestor	NIMS-AWG/M. SEGURA	Team	NIMS Working Group
			NIMS AWG
Time System	CDS	Load ID	Calendar Date 06/28/97 Week 26
Start	JEE+CDS 00001439:00:0	97-179/12:12:32.799	JEE+001/00:14:59.333
End	JEE+CDS 00001445:00:0	97-179/12:18:36.799	JEE+001/00:21:03.333
Duration	00000006:00:0	000/00:06:04.000	000/00:06:04.000
Top Label	C9HNDARK__04-		
Bottom Label			
Plot Key	NIMS	Type	SCI
CDS Bytes	150	Report Options	BOTH
CDS Source	OAP	Spin State	DUAL
		Scan Platform	Yes
		DMS	Yes
Observation Objective			
Collect Dark Values for calibration purposes.			
Data Returned			
Design Detail			
Slew to dark space and record 1 RIM of dark values.			
Long Map			
Gain State 3			
Long Map (LM), Gain 3, Grating Start 0, LPU, C9DRK2524, C9DRK252			
Galileo Activity Plan Form		06/09/97 10:29:46	rev 6/95



C9JNFEA53M01

165LC:TT= 0 TMC= 1 C= -11.50 XC= 0.00 BS= 0/5048 TC= 1(6.5 263)
 A= 586 pD= 0 SR=17.450 RA50= 38.29 DEC50= 17.34 cone= 98.70 clock=276.28
 117LC:#SB= 1 OR= 0.030 RR=12.000 BM=F RC= 1 BS= 0/5048
 1:#s= 2 Cs= 21.80 XCs= 0.00 Cr= -21.00 XCr= 0.00 sD= 2184 rD= 364

TARGET G3.1 jdods: 6/ 3/1997 15: 7: 4

FILE:P.C9JNFEA53M01

CENTRAL BODY:JUPITER

MINI:m.target

S/C EPH:/DATA/NAVIO/T-970513-tour.NS

PERIAPSIS:

THINNING:NIM 2

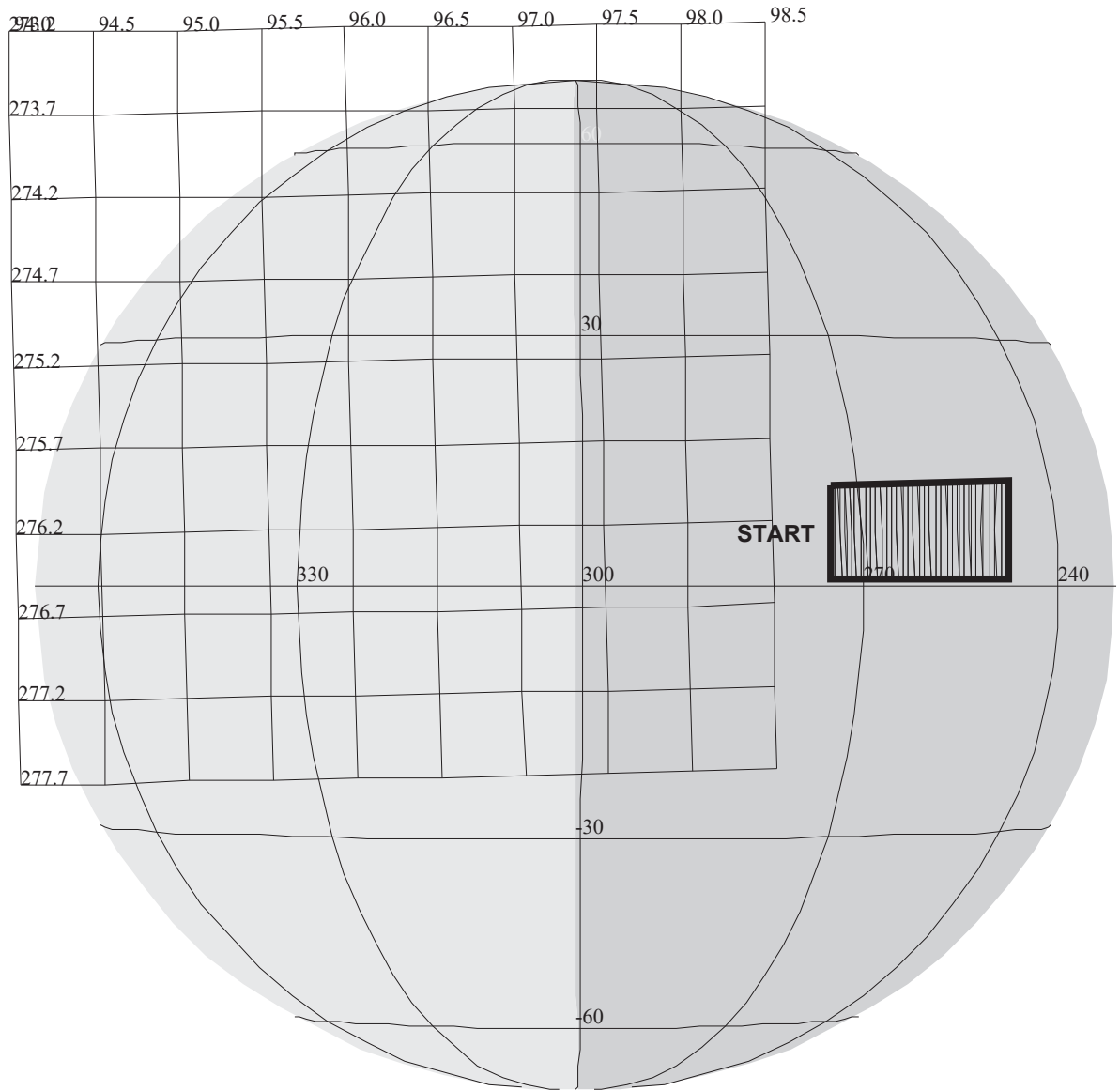
START:JEE 97-178/11:57:33.466 +CDS 1450:00:0

BODY PLOT TIME:TARGET-TIME D= 0 S= 0.850

OBSERVATION:C9JNFEA53M01

DESCRIP:JUP_FTR_TRK_5_AND_3_MICRON_MAP

Jupiter Ftr Trk 5 and 3 Micron Map		ACTIVITY ID:	C9JNFEA53M01-		
		START TIME:	97-179/12:19:37.466		
Activity ID: Orbit C9 Target J Inst N OAPEL FEA53M SeqNo 01 -					
Title	Jupiter Ftr Trk 5 and 3 Micron Map		Instrument	NIMS	
Requestor	NIMS-AWG/K. BAINES		Team NIMS Working Group	AWG	
Time System	CDS	Load ID	Calendar Date	06/28/97	Week 26
Start	JEE+CDS	00001446:00:0	97-179/12:19:37.466	JEE+001/00:22:04.000	
End	JEE+CDS	00001476:08:0	97-179/12:50:02.799	JEE+001/00:52:29.333	
Duration		00000030:08:0	000/00:30:25.333	000/00:30:25.333	
Top Label	C9JNFEA53M01-				
Bottom Label					
Plot Key	NIMS	Type	SCI		
CDS Bytes	150	Report Options	BOTH		
CDS Source	OAP	Spin State	DUAL	Scan Platform	Yes
			DMS		Yes
Observation Objective					
<p>High spectral resolution 5-micron and 3-micron night-time maps of trace species within the Hot Spot/Plume campaign feature. The first scan is a 5-micron map, of complete spectral and spatial sampling over the 4.28 to 5.22 micron interval. The campaign feature, centered at 249 degrees west longitude (System III), 8 degrees north planetographic latitude, is observed near the central meridian during the phase angle approximately 85 degrees rotation.</p>					
Data Returned					
Design Detail					
<p>Two Long Map, Nyquist-sampled observations of 2 X 1 (20 X 10 mrad) area centered on the Hot Spot/Plume campaign feature. Spacecraft distance about 1.17 million KM, map covers 23400 X 11700 KM. Each observation encompasses about 12 minutes of scanning, including reposition slew, accumulating 0.72510 MBTG and using 0.02419 tracks. Three rims reserved for targetting. Two minutes reserved for reposition slew. Total OAPel resources used: 1.4502 MBTG and 0.04838 tracks.</p>					
<p>Note: All data transmitted using J35157. Only first scan needs to be transmitted down.</p>					
<p>NOTE 5/15/97: Target coordinates chaged to 263 degrees West longitude, 6.5 degrees North latitude, to encompass both hotspot and plume head. Only first swath was returned.</p>					
<p>Long Map (LM), Gain 4, Grating Start 0, LPU, C9J35157, C9J35157</p>					
Galileo Activity Plan Form			06/09/97	10:29:46	rev 6/95



C9JNFEA5UM01

165LD:TT= 0 TMC= 1 C= -9.00 XC= 0.00 BS= 0/3238 TC= 1(6.5 263)
 A= 728 pD= 0 SR=17.450 RA50= 38.12 DEC50= 17.28 cone= 98.88 clock=276.29
 117LD:#SB= 1 OR= 0.030 RR=12.000 BM=F RC= 1 BS= 0/3238
 1:#s= 1 Cs= 16.35 XCs= 0.00 Cr= 0.00 XCr= 0.00 sD= 1638 rD= 2

TARGET G3.1 jdods: 6/ 3/1997 15: 7: 4

FILE:P.C9JNFEA5UM01

CENTRAL BODY:JUPITER

MINI:m.target

S/C EPH:/DATA/NAVIO/T-970513-tour.NS

PERIAPSIS:

THINNING:NIM 2

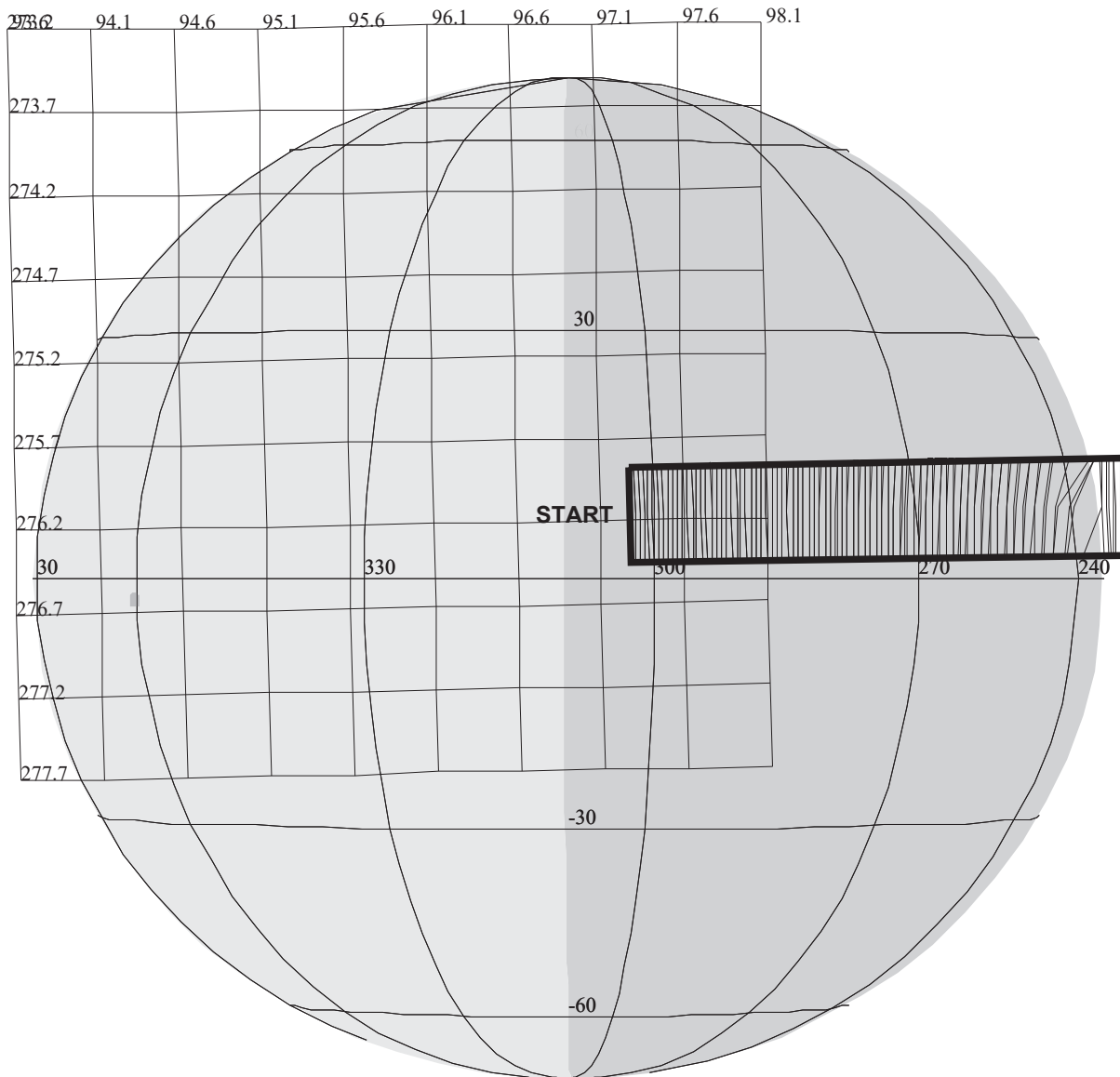
START:JEE 97-178/11:57:33.466 +CDS 1495:00:0

BODY PLOT TIME:TARGET-TIME D= 0 S= 0.850

OBSERVATION:C9JNFEA5UM01

DESCRIP:JUPITER_FTR_TRK_5_MICRON_MAP

Jupiter Ftr Trk 5 Micron Map		ACTIVITY ID:	C9JNFEA5UM01-		
		START TIME:	97-179/13:04:06.799		
Activity ID: Orbit C9 Target J Inst N OAPEL FEA5UM SeqNo 01 -					
Title	Jupiter Ftr Trk 5 Micron Map		Instrument		NIMS
Requestor	NIMS-AWG/K. BAINES		Team	NIMS Working Group	AWG
Time System	CDS	Load ID	Calendar Date	06/28/97	Week 26
Start	JEE+CDS	00001490:00:0	97-179/13:04:06.799	JEE+001/01:06:33.333	
End	JEE+CDS	00001504:00:0	97-179/13:18:16.132	JEE+001/01:20:42.666	
Duration		00000014:00:0	000/00:14:09.333	000/00:14:09.333	
Top Label	C9JNFEA5UM01-				
Bottom Label					
Plot Key	NIMS	Type	SCI		
CDS Bytes	150	Report Options	BOTH		
CDS Source	OAP	Spin State	DUAL	Scan Platform	Yes
			DMS		Yes
Observation Objective					
<p>High spectral resolution 5-micron night-time map of trace species within the Hot Spot/Plume campaign feature. This is the second 5-um map obtained during the 85 degree phase angle rotation, the other having been obtained during OAPEL C9JNFEA53M01-. The campaign feature, centered at 249 degrees west longitude (System III), 8 degrees south planetographic latitude, observed near 60 degrees emission angle during the phase angle approximately 85 degrees rotation. The feature is scanned in 157 wavelengths specified by NIMS wavelength table J35157.</p>					
Data Returned					
Design Detail					
<p>Long map, Nyquist-sampled observation of 1.5 X 1 (15 X 10 mrad) area centered on the Hot Spot/Plume campaign feature. Spacecraft distance 1.21 million KM, map covers 18150 X 12100 KM at 600 KM IFOV resolution. About 9 minutes of scanning, accumulating 0.54986 MBTG and using 0.01834 tracks. Four rims reserved for targetting.</p>					
<p>NOTE 5/15/97: Target coordinates chaged to 263 degrees West longitude, 6.5 degrees North latitude, to encompass both hotspot and plume head.</p>					
Long Map (LM), Gain 4, Grating Start 0, LPU, C9J35157, C9J35157					
Galileo Activity Plan Form			06/09/97	10:29:46	rev 6/95



165LE:TT= 0 TMC= 1 C= -17.00 XC= 0.00 BS= 0/5786 TC= 1(8 285)
 A= 182 pD= 0 SR=17.450 RA50= 39.64 DEC50= 17.85 cone= 97.32 clock=276.19
 117LE:#SB= 1 OR= 0.030 RR=12.000 BM=F RC= 1 BS= 0/5786
 1:#s= 1 Cs= 40.00 XCs= 0.00 Cr= 0.00 XCr= 0.00 sD= 4052 rD= 2

C9JNTHRCYL06

TARGET G3.1 jdods: 6/ 3/1997 15: 7: 4

FILE:P.C9JNTHRCYL06

CENTRAL BODY:JUPITER

MINI:m.target

S/C EPH:/DATA/NAVIO/T-970513-tour.NS

PERIAPSIS:

START:JEE 97-178/11:57:33.466 +CDS 1509:00:0

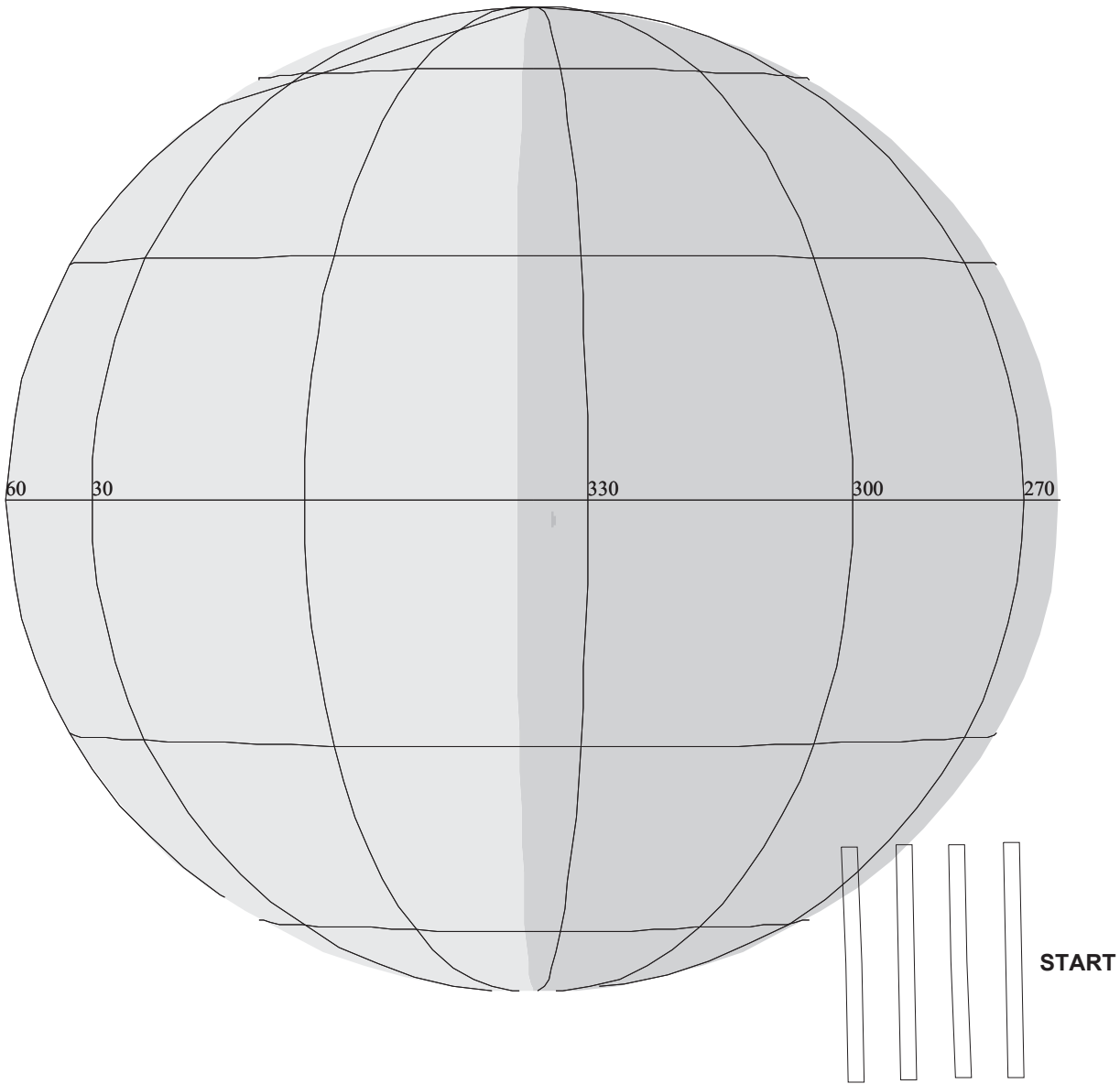
OBSERVATION:C9JNTHRCYL06

THINNING:NIM 2

BODY PLOT TIME:TARGET-TIME D= 0 S= 0.850

DESCRIP:JUPITER_THERMAL_CYCLE_MAP_PART_6

Jupiter Thermal Cylindrical Map part 6		ACTIVITY ID:	C9JNTHRCYL06-		
		START TIME:	97-179/13:20:02.799		
Activity ID: Orbit C9 Target J Inst N OAPEL THRCYL SeqNo 06 -					
Title	Jupiter Thermal Cylindrical Map part 6			Instrument	NIMS
Requestor	NIMS-AWG/K. BAINES		Team	NIMS Working Group	AWG
Time System	CDS	Load ID	Calendar Date	06/28/97	Week 26
Start	JEE+CDS	00001505:69:0	97-179/13:20:02.799	JEE+001/01:22:29.333	
End	JEE+CDS	00001531:44:0	97-179/13:46:03.466	JEE+001/01:48:30.000	
Duration		00000025:66:0	000/00:26:00.667	000/00:26:00.667	
Top Label	C9JNTHRCYL06-				
Bottom Label					
Plot Key	NIMS	Type	SCI		
CDS Bytes	150	Report Options	BOTH	Scan Platform	Yes
CDS Source	OAP	Spin State	DUAL	DMS	Yes
Observation Objective					
<p>Part four of seven OAPELS constituting the Jupiter Cylindrical map of the 8-degrees north latitude Hotspot region to assess lower-tropospheric properties such as phosphine and water abundance variation with longitude, and 5-micron variability of ammonia cloud opacity. Night time observation near 15 degrees relative longitude 10 degrees to the east of the terminator obtained during 85 degree phase angle opportunity near 15 Rj using NIMS wavelength table J5M80B spanning 4.279 - 5.22 microns. Equatorial longitude approximately 285 degrees west longitude.</p>					
Data Returned					
Design Detail					
<p>Long map, Nyquist sampled observation of 5 X 1 (50 mrad X 10 mrad) area centered near 9-degrees north latitude, 285 degrees west longitude, covering about 30 degrees of longitude at about 550 KM IFOV spatial resolution.</p> <p>Science scan lasts 200 X 8.666 = 1732 secs = 28:52 = 28:50 CDS accumulating 1.7443 MBTG in 80 colors, and using 0.05819 tracks. One rim available for targetting.</p>					
Long Map (LM), Gain 4, Grating Start 0, LPU, C9J5M253B, C9J5M127B					
Galileo Activity Plan Form			06/09/97	10:29:46	rev 6/95



C9JNAURVAR01

165AS:TT= 0 TMC= 1 C= 0.00 XC= 0.00 BS= 0/4158 TC=15(14.5 39.5)
 A= 728 pD= 0 SR=17.450 RA50= 39.50 DEC50= 14.50 cone= 98.46 clock=279.37
 117AS:#SB= 1 OR= 0.090 RR=12.000 BM=F RC= 1 BS= 0/4158
 1:#s= 2 Cs= -110.00 XCs= 0.00 Cr= 100.00 XCr= 0.00 sD= 3550 rD= 90

TARGET G3.1 jdods: 6/ 3/1997 15: 7: 4

FILE:P.C9JUAURVAR01

CENTRAL BODY:JUPITER

MINI:m.target

S/C EPH:/DATA/NAVIO/T-970513-tour.NS

PERIAPSIS:

THINNING: :UVS 7

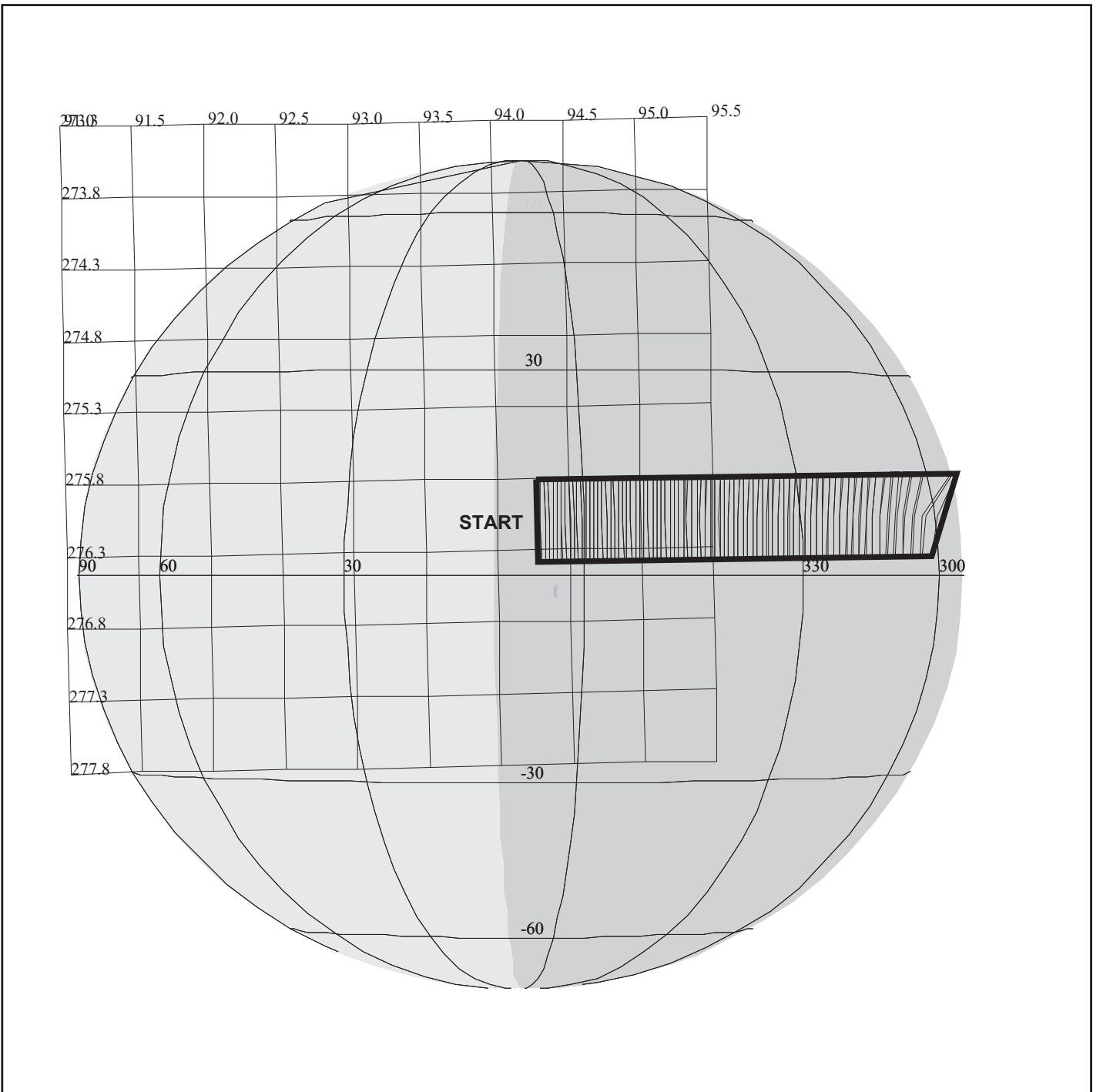
START:JEE 97-178/11:57:33.466 +CDS 1555:00:0

BODY PLOT TIME:TARGET-TIME D= 0 S= 0.850

OBSERVATION:C9JUAURVAR01

DESCRIP:Auroral_Variability_Map

NIMS Ride Along with UVS		ACTIVITY ID: C9JNAURVAR01+	
		START TIME: 97-179/14:05:47.466	
Activity ID: Orbit C9 Target J Inst N OAPEL AURVAR SeqNo 01 +			
Title	NIMS Ride Along with UVS		Instrument
Requestor	NIMS-AWG/K. BAINES		NIMS AWG
	Team	NIMS	Working Group
Time System	CDS	Load ID	Calendar Date 06/28/97 Week 26
Start	JEE+CDS 00001551:00:0	97-179/14:05:47.466	JEE+001/02:08:14.000
End	JEE+CDS 00001585:00:0	97-179/14:40:10.132	JEE+001/02:42:36.666
Duration	00000034:00:0	000/00:34:22.666	000/00:34:22.666
Top Label	C9JNAURVAR01+		
Bottom Label			
Plot Key	NIMS	Type	SCI
CDS Bytes	40	Report Options	BOTH
CDS Source	OAP	Spin State	DUAL
		Scan Platform	No
		DMS	No
Observation Objective			
Southern aurora Io fluxtube footprint spatial characterization and short time-scale variability using H Ly-a at a fixed longitude on the darkside. Coincident with the MWG Campaign A.			
Data Returned			
Design Detail			
Ride-along with UVS (C9JUAURVAR01). Campaign A select 5 RIMS of real-time data.			
Mirror Blocked (1B,1B) (11011,11011)			
Long Map (LM), Gain 4, Grating Start 0, R/T, RT408			
Galileo Activity Plan Form		06/09/97 10:29:46	rev 6/95



C9JNTHRCYL07

165LF:TT= 0 TMC= 1 C= -15.00 XC= 0.00 BS= 0/4168 TC= 1(8 350)
 A= 728 pD= 0 SR=17.450 RA50= 42.67 DEC50= 18.80 cone= 94.29 clock=276.14
 117LF:#SB= 1 OR= 0.030 RR=12.000 BM=F RC= 1 BS= 0/4168
 1:#s= 1 Cs= 40.45 XCs= 0.00 Cr= 0.00 XCr= 0.00 sD= 4052 rD= 2

TARGET G3.1 jdods: 6/ 3/1997 15: 7: 4

FILE:P.C9JNTHRCYL07

CENTRAL BODY:JUPITER

MINI:m.target

S/C EPH:/DATA/NAVIO/T-970513-tour.NS

PERIAPSIS:

THINNING:NIM 2

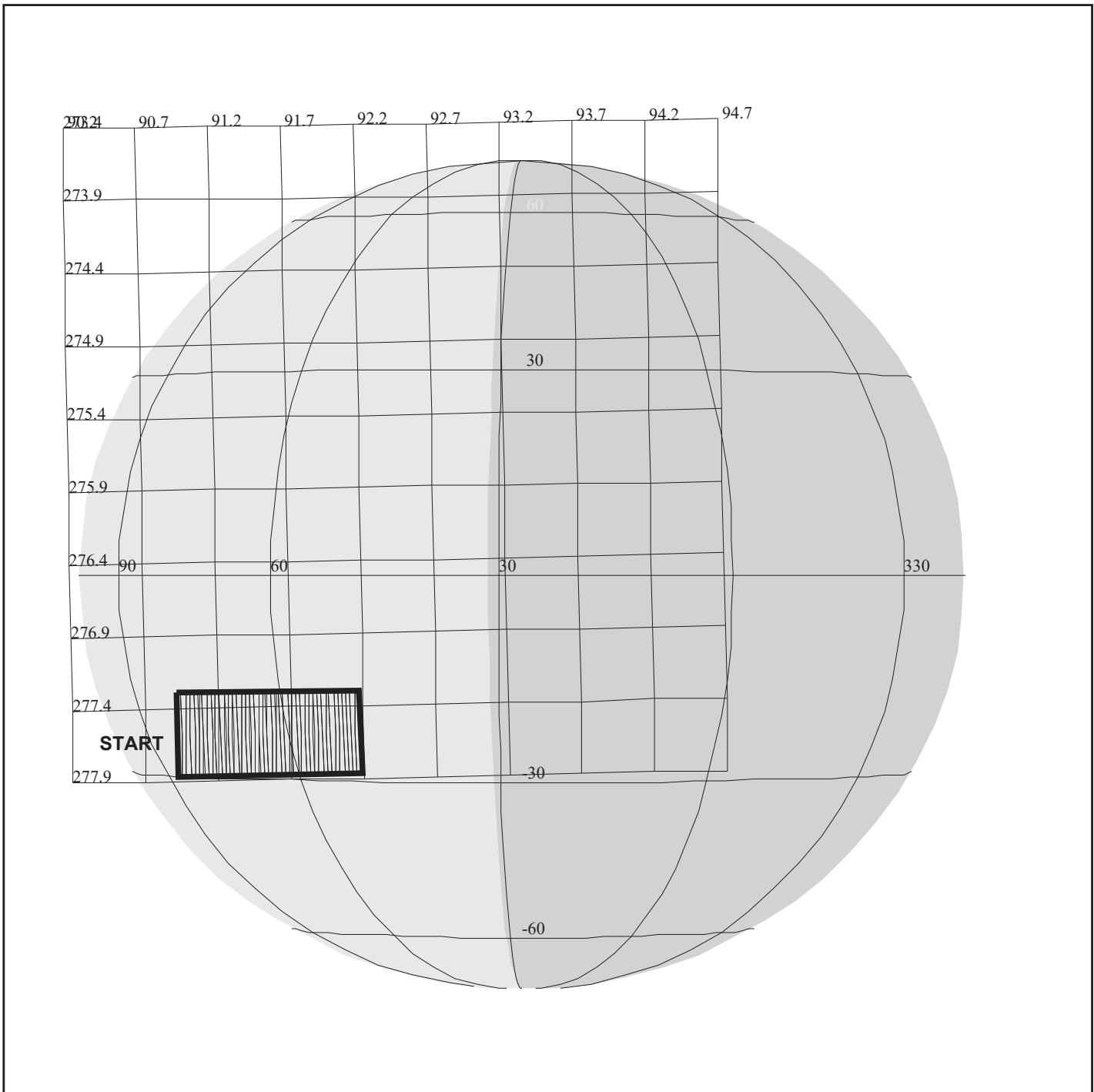
START:JEE 97-178/11:57:33.466 +CDS 1610:00:0

BODY PLOT TIME:TARGET-TIME D= 0 S= 0.850

OBSERVATION:C9JNTHRCYL07

DESCRIP:JUPITER_THERMAL_CYCLE_MAP_PART_7

Jupiter Thermal Cylindrical Map part 7		ACTIVITY ID:	C9JNTHRCYL07-		
		START TIME:	97-179/15:00:23.466		
Activity ID: Orbit C9 Target J Inst N OAPEL THRCYL SeqNo 07 -					
Title	Jupiter Thermal Cylindrical Map part 7			Instrument	NIMS
Requestor	NIMS-AWG/K. BAINES		Team	NIMS Working Group	AWG
Time System	CDS	Load ID	Calendar Date	06/28/97	Week 26
Start	JEE+CDS	00001605:00:0	97-179/15:00:23.466	JEE+001/03:02:50.000	
End	JEE+CDS	00001639:00:0	97-179/15:34:46.132	JEE+001/03:37:12.666	
Duration		00000034:00:0	000/00:34:22.666	000/00:34:22.666	
Top Label	C9JNTHRCYL07-				
Bottom Label					
Plot Key	NIMS	Type	SCI		
CDS Bytes	150	Report Options	BOTH	Scan Platform	Yes
CDS Source	OAP	Spin State	DUAL	DMS	Yes
Observation Objective					
<p>Part five of seven OAPELS constituting the Jupiter Cylindrical map of the 8-degrees north latitude Hotspot region to assess lower-tropospheric properties such as phosphine and water abundance variation with longitude, and 5-micronmeter variability of ammonia cloud opacity. Night time observation near 15 degrees relative longitude 10 degrees to the east of the terminator obtained during 85 degree phase angle opportunity near 15 Rj using NIMS wavelength table J5M80B spanning 4.279 - 5.22 microns. Equatorial longitude approximately 350 degrees west longitude.</p>					
Data Returned					
Design Detail					
<p>Long map, Nyquist sampled observation of 5 X 1 (50 mrad X 10 mrad) area centered near 9-degrees north latitude, 350 degrees west longitude, covering about 30 degrees of longitude at about 550 KM IFOV spatial resolution. This observation at 17 degrees longitude, is non-contiguous with the other 6 THRCYL OAPELS.</p> <p>Science scan lasts 200 X 8.666 = 1732 secs = 28:52 = 28:50 CDS accumulating 1.7443 MBTG in 80 colors, and using 0.05819 tracks. Four rims available for targetting.</p>					
Long Map (LM), Gain 4, Grating Start 0, LPU, C9J5M253B, C9J5M127B					
Galileo Activity Plan Form			06/09/97	10:29:46	rev 6/95



C9JNGRS09501

165LG:TT= 0 TMC= 1 C= -7.00 XC= 0.00 BS= 0/0174 TC= 1(-23 69)
 A= 728 pD= 0 SR=17.450 RA50= 46.51 DEC50= 18.38 cone= 90.91 clock=277.55
 117LG:#SB= 1 OR= 0.100 RR=12.000 BM=F RC= 1 BS= 0/0174
 1:#s= 1 Cs= 21.70 XCs= 0.00 Cr= 0.00 XCr= 0.00 sD= 600 rD= 2

TARGET G3.1 jdods: 6/ 3/1997 15: 7: 4

FILE:P.C9JNGRS09501

CENTRAL BODY:JUPITER

MINI:m.target

S/C EPH:/DATA/NAVIO/T-970513-tour.NS

PERIAPSIS:

THINNING:NIM 2

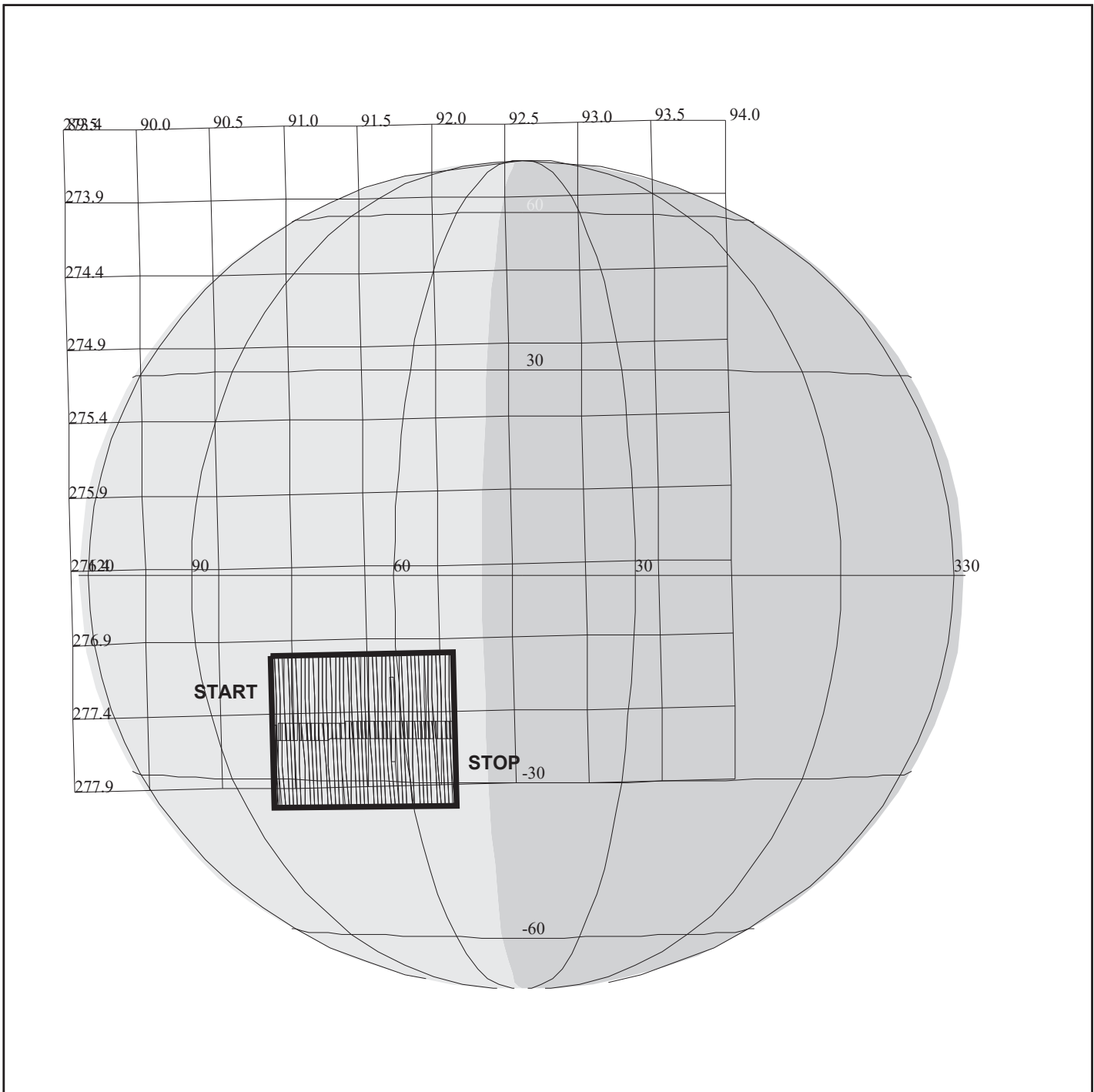
START:JEE 97-178/11:57:33.466 +CDS 1643:00:0

BODY PLOT TIME:TARGET-TIME D= 0 S= 0.850

OBSERVATION:C9JNGRS09501

DESCRIP:JUP_GREAT_RED_SPOT_95_DEG_01

Jupiter Great Red Spot 95 degrees prt 1		ACTIVITY ID:	C9JNGRS09501-		
		START TIME:	97-179/15:33:45.466		
Activity ID: Orbit C9 Target J Inst N OAPEL GRS095 SeqNo 01 -					
Title	Jupiter Great Red Spot 95 degrees prt 1 Instrument				NIMS
Requestor	NIMS-AWG/K. BAINES		Team	NIMS Working Group	AWG
Time System	CDS	Load ID	Calendar Date	06/28/97	Week 26
Start	JEE+CDS	00001638:00:0	97-179/15:33:45.466	JEE+001/03:36:12.000	
End	JEE+CDS	00001648:00:0	97-179/15:43:52.132	JEE+001/03:46:18.666	
Duration		00000010:00:0	000/00:10:06.666	000/00:10:06.666	
Top Label	C9JNGRS09501-				
Bottom Label					
Plot Key	NIMS	Type	SCI		
CDS Bytes	150	Report Options	BOTH	Scan Platform	Yes
CDS Source	OAP	Spin State	DUAL	DMS	Yes
Observation Objective					
<p>One of 14 OAPELS constituting the Great Red Spot feature tracks. This is the first of two observations obtained on a rotation with phase angle approximately 95 degrees. Jupiter imaged in 25 colors, using NIMS downlink wavelength table JFT25A. This observation acquired with the Great Red Spot near minimum airmass, assuming feature coordinates 23 degrees south latitude (planetographic) and 69 degrees west longitude (System III).</p>					
Data Returned					
Design Detail					
<p>Short map, Nyquist-sampled observation of 2 X 1 (20 X 10 mrad) area centered on the heart of the GRS near 69 degrees west longitude, 23 degrees south planetographic latitude. Spacecraft distance 1.28 million KM, NIMS IFOV (NIMSel) = 640 KM; 2 X 1 mosaic covers 25600 X 12800 KM. About 200 seconds of scanning, accumulating 0.0511 MBTG in 4 colors, and using 0.00672 tracks. Four rims reserved for targetting.</p>					
<p>Note (5/6/97): GRS center longitude updated to 62 degrees West longitude. Observation covers 50 to 85 degrees W. longitude.</p>					
Short Map (SM), Gain 2, Grating Start 1, LPU, C9JFT68C, C9JFT68C					
Galileo Activity Plan Form			06/09/97	10:29:47	rev 6/95



C9JNGRS09502

165LI:TT= 0 TMC= 1 C= -8.00 XC= -4.50 BS= 0/5452 TC= 1(-23 69)
 A= 728 pD= 0 SR=17.450 RA50= 46.51 DEC50= 18.66 cone= 90.84 clock=277.29
 117LI:#SB= 1 OR= 0.100 RR=12.000 BM=F RC= 1 BS= 0/5452
 1:#s= 2 Cs= 21.70 XCs= 0.00 Cr= -21.70 XCr= 8.00 sD= 600 rD= 40

TARGET G3.1 jdods: 6/ 3/1997 15: 7: 4

FILE:P.C9JNGRS09502

CENTRAL BODY:JUPITER

MINI:m.target

S/C EPH:/DATA/NAVIO/T-970513-tour.NS

PERIAPSIS:

THINNING:NIM 2

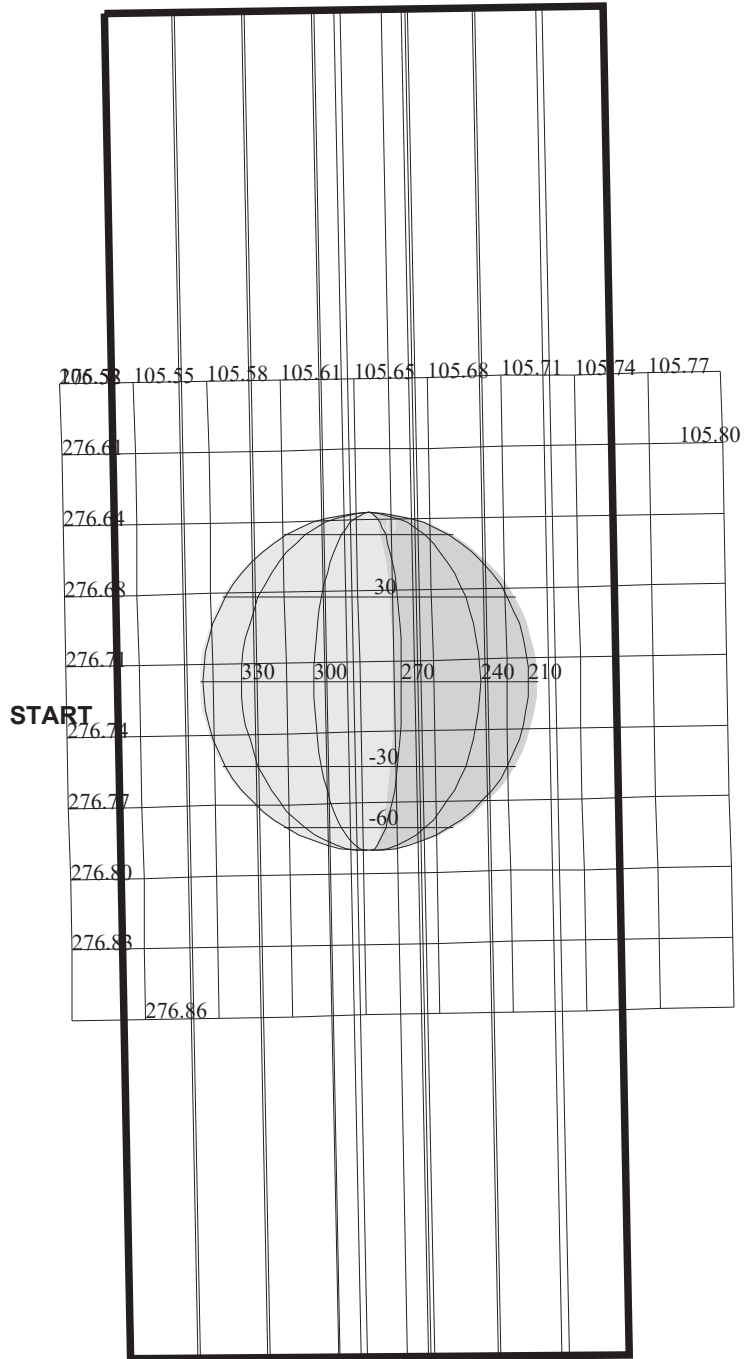
START:JEE 97-178/11:57:33.466 +CDS 1672:00:0

BODY PLOT TIME:TARGET-TIME D= 0 S= 0.850

OBSERVATION:C9JNGRS09502

DESCRIP:JUP_GREAT_RED_SPOT_95_DEG_02

Jupiter Great Red Spot 95 degrees prt 2		ACTIVITY ID:	C9JNGRS09502-		
		START TIME:	97-179/16:03:04.799		
Activity ID: Orbit C9 Target J Inst N OAPEL GRS095 SeqNo 02 -					
Title	Jupiter Great Red Spot 95 degrees prt 2 Instrument				NIMS
Requestor	NIMS-AWG/K. BAINES		Team	NIMS Working Group	AWG
Time System	CDS	Load ID	Calendar Date	06/28/97	Week 26
Start	JEE+CDS	00001667:00:0	97-179/16:03:04.799	JEE+001/04:05:31.333	
End	JEE+CDS	00001680:00:0	97-179/16:16:13.466	JEE+001/04:18:40.000	
Duration		00000013:00:0	000/00:13:08.667	000/00:13:08.667	
Top Label	C9JNGRS09502-				
Bottom Label					
Plot Key	NIMS	Type	SCI		
CDS Bytes	150	Report Options	BOTH	Scan Platform	Yes
CDS Source	OAP	Spin State	DUAL	DMS	Yes
Observation Objective					
<p>One of 14 OAPELS constituting the Great Red Spot feature tracks. This is the second of two observations obtained on a rotation with phase angle approximately 95 degrees. Jupiter imaged in 25 colors, using NIMS downlink wavelength table JFT25A. This observation acquired with the Great Red Spot near 23 degrees relative longitude, assuming feature coordinates 23 degrees south latitude (planetographic) and 69 degrees west longitude (System III)</p>					
Data Returned					
Design Detail					
<p>Short map, Nyquist-sampled observation of 2 X 2 (20 X 18 mrad) area centered on the heart of the GRS near 69 degrees west longitude, 23 degrees south planetographic latitude. Spacecraft distance 1.28 million KM, NIMS IFOV (NIMSel) = 640 KM; 2 X 1 mosaic covers 25600 X 23040 KM. About 420 seconds of scanning, accumulating 0.1073 MBTG in 4 colors, and using 0.01411 tracks. Four rims reserved for targetting.</p>					
<p>Note (5/6/97): GRS center longitude updated to 62 degrees West longitude. Observation covers 54 to 80 degrees W. longitude.</p>					
Short Map (SM), Gain 2, Grating Start 1, LPU, C9JFT68C, C9JFT68C					
Galileo Activity Plan Form			06/09/97	10:29:47	rev 6/95



Io is in Jupiter's Shadow

C9INCHEMIS06

DESIGN G3.1 jdods: 6/11/1997 13:29:39

FILE:P.C9INCHEMIS06

TARGET BODY : IO

MINI:m.C9INCHEMIS06

S/C EPH:/DATA/NAVIO/T-970513-tour.NS

PERIAPSIS:

START:IEE 97-179/02:31:09.466 +CDS 961:00:0

OBSERVATION:C9INCHEMIS06

165LK:TT= 0 TMC= 1 C= -1.75 XC= 0.00 BS= 0/3298 TC= 3
 A= 728 pD= 0 SR=17.450 RA50= 31.70 DEC50= 14.70 cone=105.55 clock=276.72
 117LK:#SB= 1 OR= 0.020 RR=12.000 BM=F RC= 1 BS= 0/3298
 1:#s= 2 Cs= 1.15 XCs= 0.00 Cr= -0.40 XCr= 0.00 sD= 220 rD= 26

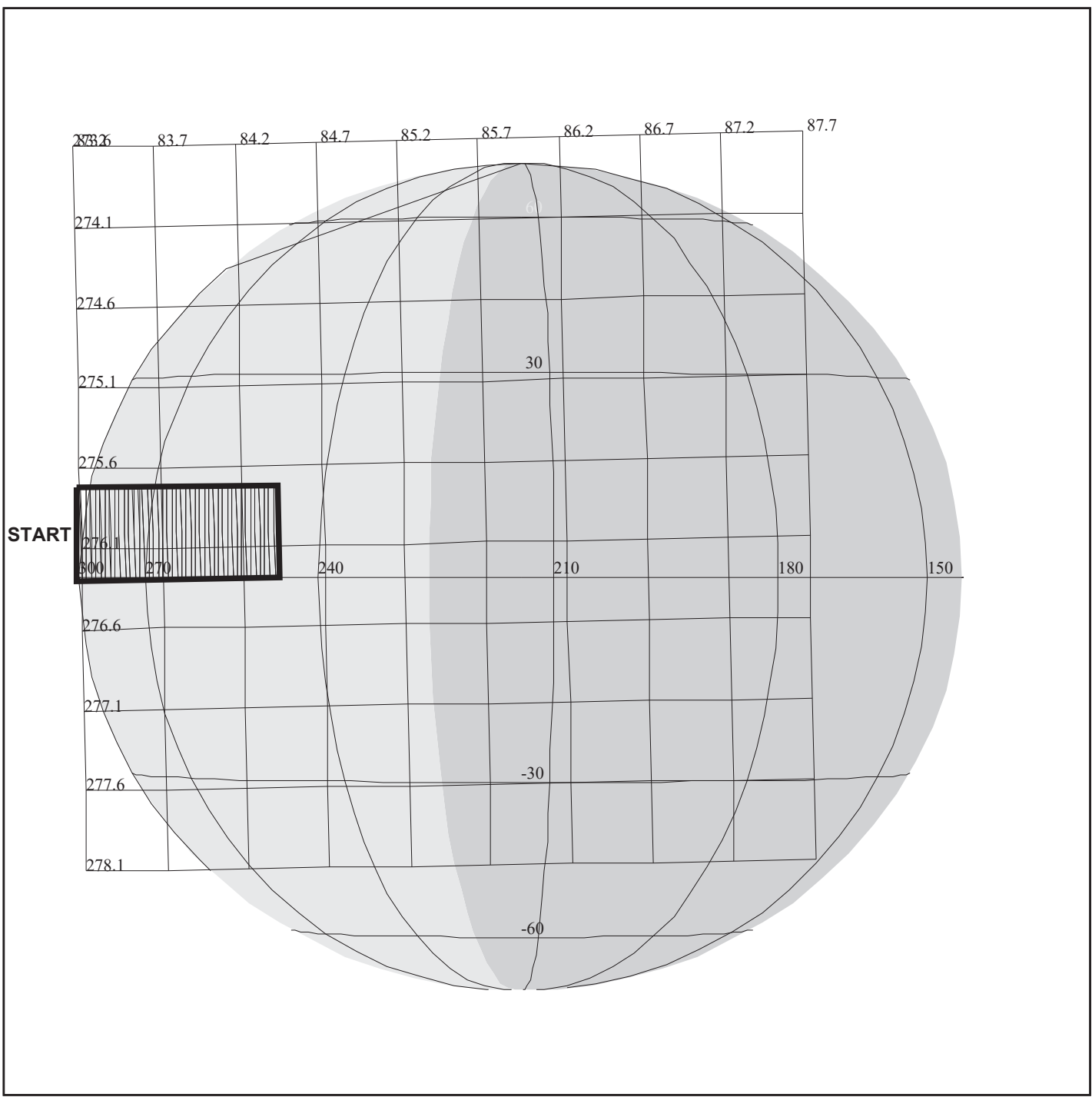
THINNING:NIM 2

BODY PLOT TIME:TARGET-TIME D= 0 S= 0.500

DESCRIP:Io Chemis 6

Monitoring of Io's Dayside		ACTIVITY ID:	C9INCHEMIS06-		
		START TIME:	97-179/18:37:46.799		
Activity ID: Orbit C9 Target I Inst N OAPEL CHEMIS SeqNo 06 -					
Title	Monitoring of Io's Dayside		Instrument		NIMS
Requestor	NIMS-SWG/R.		Team	NIMS Working Group	SWG
Time System	CDS	Load ID	Calendar Date	06/28/97	Week 26
Start	IEE+CDS 00000956:00:0		97-179/18:37:46.799	IEE+000/16:06:37.333	
End	IEE+CDS 00000966:00:0		97-179/18:47:53.466	IEE+000/16:16:44.000	
Duration	00000010:00:0		000/00:10:06.667	000/00:10:06.667	
Top Label	C9INCHEMIS06-				
Bottom Label					
Plot Key	NIMS	Type	SCI		
CDS Bytes	150	Report Options	BOTH		
CDS Source	OAP	Spin State	DUAL	Scan Platform	Yes
			DMS		Yes
Observation Objective					
<p>Dayside monitoring covering wide range of longitudes to look for chemical changes (e.g. SO2 distribution) at resolutions better than ~800 km/nimsel (most observations will have resolutions between 120 and 400 km/nimsel).</p>					
Data Returned					
Design Detail					
<p>Partial or full disk mosaics within C/A + or - 32 hours in all orbits. High priority orbits are G2, C3, E4, E6 and E10 where resolution for lit disk is best.</p> <p>Long map, 51 wavelengths. Tracks used per orbit: 0.05 to 0.42. Bits To Ground per orbit: 0.3 to 2.2 Mbits.</p> <p>Targetting time is 3 RIMS.</p> <p>Io is in Jupiter's Shadow.</p>					
Long Map (LM), Gain 2, Grating Start 0, LPU, C9ILM243C, C9ILM228C					
Galileo Activity Plan Form			06/09/97	10:29:47	rev 6/95

This page BLANK



C9JNFEA10201

165LQ:TT= 0 TMC= 1 C= -11.00 XC= 0.00 BS= 0/8050 TC= 1(6.5 263)
 A= 728 pD= 0 SR=17.450 RA50= 54.08 DEC50= 21.77 cone= 83.18 clock=276.01
 117LQ:#SB= 1 OR= 0.100 RR=12.000 BM=F RC= 1 BS= 0/8050
 1:#s= 1 Cs= 21.90 XCs= 0.00 Cr= 0.00 XCr= 0.00 sD= 600 rD= 2

TARGET G3.1 jdods: 6/ 3/1997 15: 7: 4

FILE:P.C9JNFEA10201

CENTRAL BODY:JUPITER

MINI:m.target

S/C EPH:/DATA/NAVIO/T-970513-tour.NS

PERIAPSIS:

THINNING:NIM 2

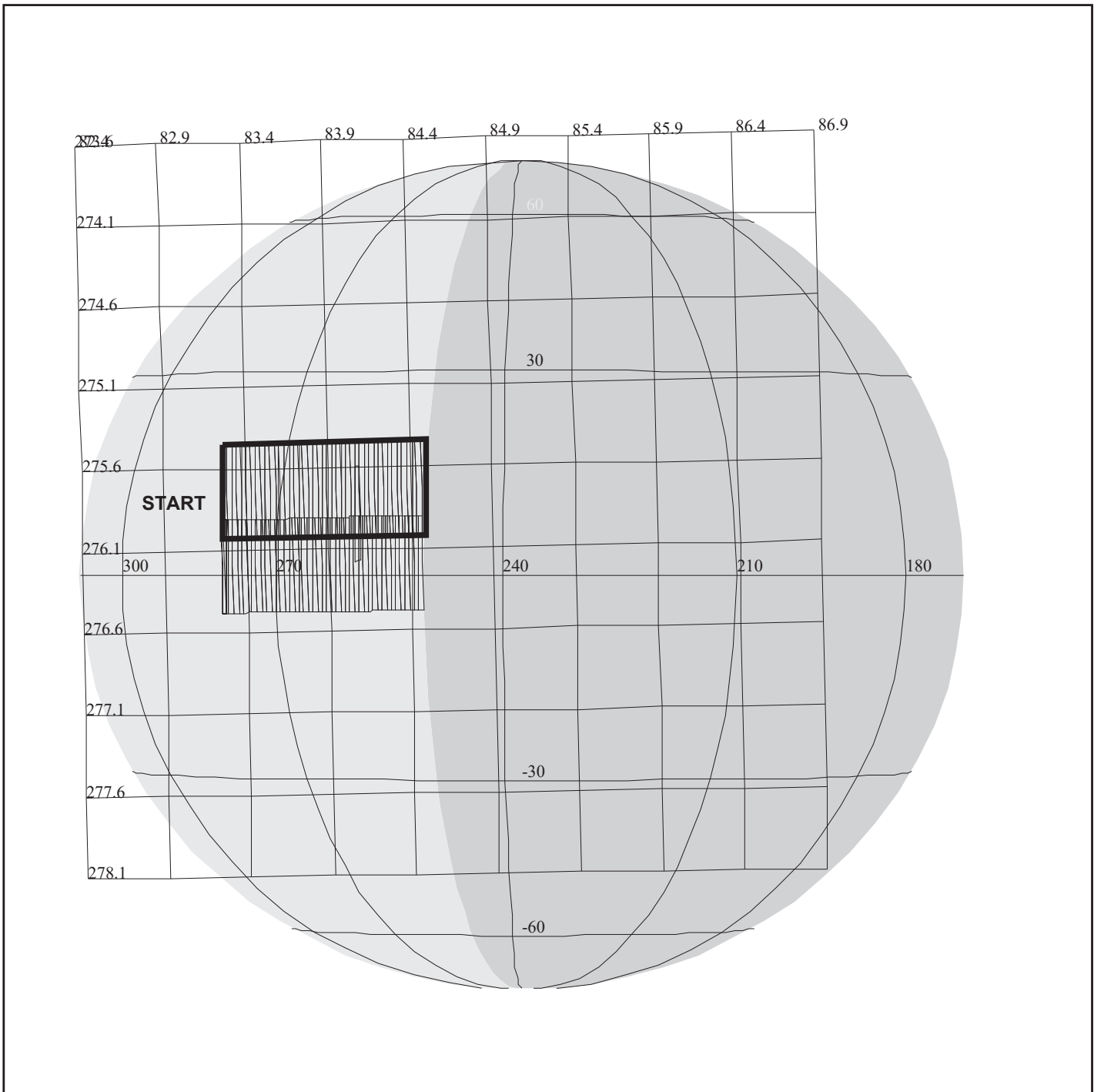
START:JTE 97-178/12:16:46.133 +CDS 1942:00:0

BODY PLOT TIME:TARGET-TIME D= 0 S= 0.850

OBSERVATION:C9JNFEA10201

DESCRIP:Jup_Fea_trk_102_deg_phase_01

Jupiter Ftr Trk 102 deg Phase part 1		ACTIVITY ID:	C9JNFEA10201-		
		START TIME:	97-179/20:55:17.466		
Activity ID: Orbit C9 Target J Inst N OAPEL FEA102 SeqNo 01 -					
Title	Jupiter Ftr Trk 102 deg Phase part 1		Instrument	NIMS	
Requestor	NIMS-AWG/K. BAINES		Team	NIMS Working Group	AWG
Time System	CDS	Load ID	Calendar Date	06/28/97	Week 26
Start	JTE+CDS 00001937:00:0		97-179/20:55:17.466	JTE+001/08:38:31.333	
End	JTE+CDS 00001946:00:0		97-179/21:04:23.466	JTE+001/08:47:37.333	
Duration	00000009:00:0		000/00:09:06.000	000/00:09:06.000	
Top Label	C9JNFEA10201-				
Bottom Label					
Plot Key	NIMS	Type	SCI		
CDS Bytes	150	Report Options	BOTH		
CDS Source	OAP	Spin State	DUAL	Scan Platform	Yes
			DMS		Yes
Observation Objective					
<p>One of 12 OAPELS constituting the feature tracks for the Hot Spot/Plume feature campaign. This is the first of two observations obtained on a rotation with phase angle approximately 102 degrees. Jupiter imaged in 25 colors, using NIMS downlink wavelength table JFT25A. This observation acquired with Hot Spot/Plume feature near minimum airmass, assuming feature coordinates 8 degrees north latitude (planetographic) and nominally 249 degrees west longitude (System III). This OAPEL incorporated inside a slide-able window to allow targetting of the best Hot Spot/Plume coordinate.</p>					
Data Returned					
Design Detail					
<p>Short map, Nyquist-sampled observation of 2 X 1 (20 X 10 mrad) area centered on Hot Spot/Plume feature nominally near 249 degrees west longitude, 8 degrees north planetographic latitude. Spacecraft distance 1.4 million KM, NIMS IFOV (NIMSel) = 700 KM; 2 X 1 mosaic covers 28000 X 14000 KM. About 200 seconds of scanning, accumulating 0.0511 MBTG in 4 colors, and using 0.00672 tracks. Four rims reserved for targetting.</p>					
<p>NOTE 5/15/97: Target coordinates chaged to 263 degrees West longitude, 6.5 degrees North latitude, to encompass both hotspot and plume head.</p>					
Short Map (SM), Gain 2, Grating Start 1, LPU, C9JFT68C, C9JFT68C					
Galileo Activity Plan Form			06/09/97	10:29:47	rev 6/95



C9JNFEA10202

165LR:TT= 0 TMC= 1 C= -22.00 XC= -4.50 BS= 0/5330 TC= 1(6.5 249)
 A= 728 pD= 0 SR=17.450 RA50= 53.91 DEC50= 21.98 cone= 83.29 clock=275.76
 117LR:#SB= 1 OR= 0.100 RR=12.000 BM=F RC= 1 BS= 0/5330
 1:#s= 2 Cs= 21.90 XCs= 0.00 Cr= -21.90 XCr= 8.00 sD= 600 rD= 40

TARGET G3.1 jdods: 6/ 3/1997 15: 7: 4

FILE:P.C9JNFEA10202

CENTRAL BODY:JUPITER

MINI:m.target

S/C EPH:/DATA/NAVIO/T-970513-tour.NS

PERIAPSIS:

THINNING:NIM 2

START:JTE 97-178/12:16:46.133 +CDS 1982:00:0

BODY PLOT TIME:TARGET-TIME D= 0 S= 0.850

OBSERVATION:C9JNFEA10202

DESCRIP:Jup_Fea_trk_102_deg_phase_02

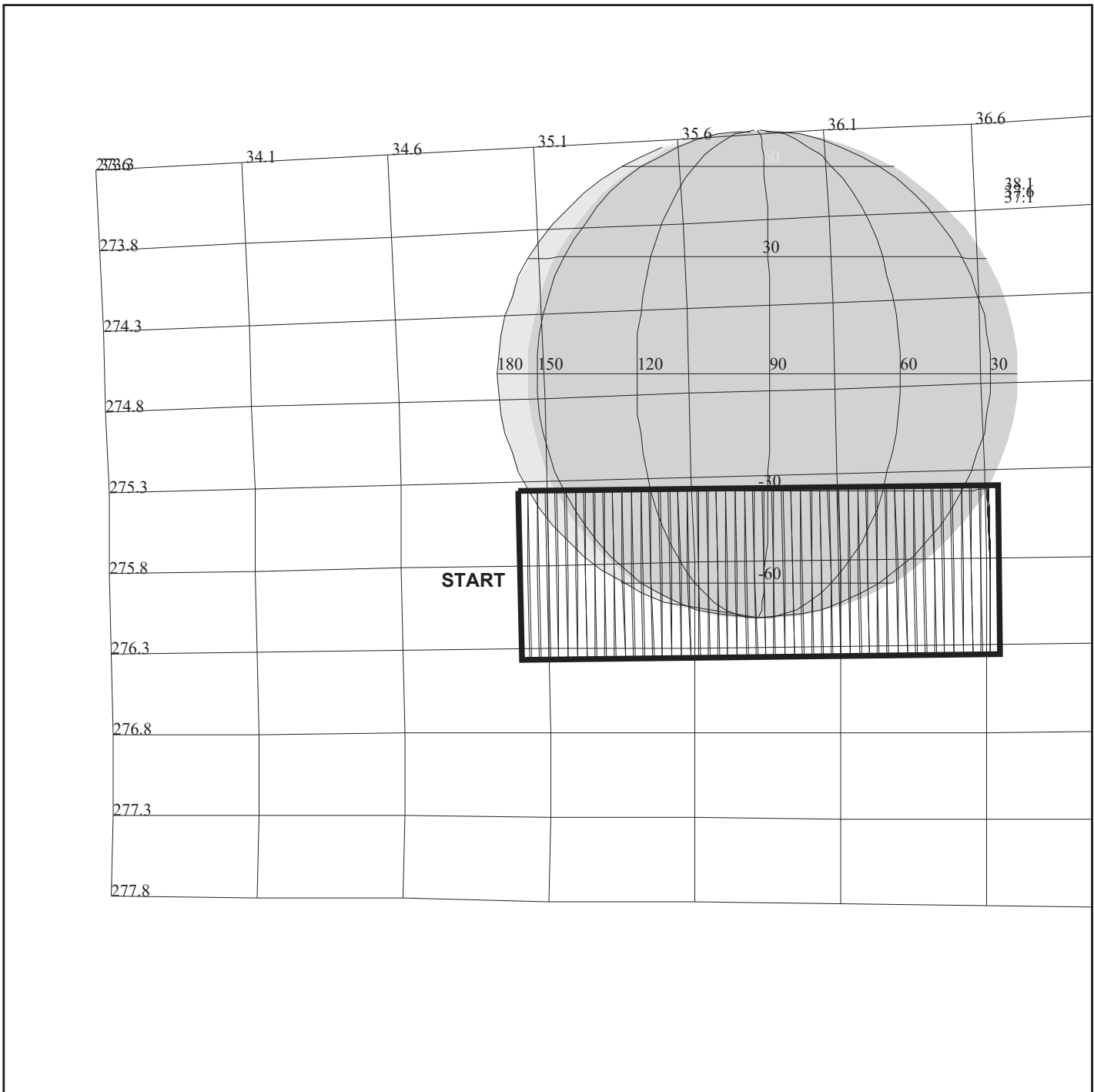
Jupiter Ftr Trk 102 deg Phase part 2		ACTIVITY ID:	C9JNFEA10202-		
		START TIME:	97-179/21:35:44.133		
Activity ID: Orbit C9 Target J Inst N OAPEL FEA102 SeqNo 02 -					
Title	Jupiter Ftr Trk 102 deg Phase part 2		Instrument	NIMS	
Requestor	NIMS-AWG/K. BAINES		Team	NIMS Working Group	AWG
Time System	CDS	Load ID	Calendar Date	06/28/97	Week 26
Start	JTE+CDS	00001977:00:0	97-179/21:35:44.133	JTE+001/09:18:58.000	
End	JTE+CDS	00001990:00:0	97-179/21:48:52.799	JTE+001/09:32:06.666	
Duration		00000013:00:0	000/00:13:08.666	000/00:13:08.666	
Top Label	C9JNFEA10202-				
Bottom Label					
Plot Key	NIMS	Type	SCI		
CDS Bytes	150	Report Options	BOTH	Scan Platform	Yes
CDS Source	OAP	Spin State	DUAL	DMS	Yes
Observation Objective					
<p>One of 12 OAPELS constituting the feature tracks for the Hot Spot/Plume feature campaign. This is the second of two observations obtained on a rotation with phase angle approximately 102 degrees. Jupiter imaged in 25 colors, using NIMS downlink wavelength table JFT25A. This observation acquired with Hot Spot/Plume feature near evening terminator, assuming feature coordinates 8 degrees north latitude (planetographic) and nominally 249 degrees west longitude (System III). This OAPEL incorporated inside a slide-able window to allow targetting of the best Hot Spot/Plume coordinate.</p> <p>Note: OAPEL FEA10203 deleted on 12/12/95 to accomodate UVS Neutral Cloud observation. Resources re-allocated here. Data Returned</p>					
Design Detail					
<p>Short map, Nyquist-sampled observation of 2 X 2 (20 X 18 mrad) area centered on Hot Spot/Plume feature nominally near 249 degrees west longitude, 8 degrees north planetographic latitude. Spacecraft distance 1.4 million KM, NIMS IFOV (NIMSel) = 700 KM; 2 X 2 mosaic covers 28000 X 25200 KM. About 420 seconds of scanning, including 20 seconds of reposition slew between tiers, accumulating 0.1073 MBTG in 4 colors, and using 0.01411 tracks. Four rims reserved for targetting.</p> <p>NOTE 5/15/97: Target coordinates chaged to 263 degrees West longitude, 6.5 degrees North latitude, to encompass both hotspot and plume head.</p> <p>Only top swath returned.</p> <p>Short Map (SM), Gain 2, Grating Start 1, LPU, C9JFT68C, C9JFT68C</p>					
Galileo Activity Plan Form			06/09/97	10:29:47	rev 6/95

NIMS Chopper Off		ACTIVITY ID: C9NNCHOPOF01-	
		START TIME: 97-179/21:52:55.466	
Activity ID: Orbit C9 Target N Inst N OAPEL CHOPOF SeqNo 01 -			
Title	NIMS Chopper Off		Instrument
Requestor	NIMS-AWG/K. BAINES		NIMS AWG
	Team	NIMS	Working Group
Time System	CDS	Load ID	Calendar Date 06/28/97 Week 26
Start	JTE+CDS 00001994:00:0	97-179/21:52:55.466	JTE+001/09:36:09.333
End	JTE+CDS 00002005:00:0	97-179/22:04:02.799	JTE+001/09:47:16.666
Duration	00000011:00:0	000/00:11:07.333	000/00:11:07.333
Top Label	C9NNCHOPOF01-		
Bottom Label			
Plot Key	NIMS	Type	SCI
CDS Bytes	50	Report Options	BOTH
CDS Source	OAP	Spin State	DUAL
		Scan Platform	No
		DMS	No
Observation Objective			
To preserve the NIMS chopper life.			
Design Detail			
Use a NIMSTAB PA to reset wavelength table with parameters 04,C4,02,00,00 and to issue a 37IOP,0,0 to put NIMS in safe.			
Then:			
Use two NIMS 37IST commands to turn chopper off:			
37IST,0,1,0,0,OFF,0,0,0 (Change Chopper Ref to 63Hz)			
37IST,0,1,1,0,OFF,0,0,0 (Change Chopper 63Hz to OFF)			
Also use a NIMS 37MB command to reset the mirror positions:			
37MB,0,0,0,0,0,0,0 (00000,00000)			
Galileo Activity Plan Form		06/09/97 10:29:47	rev 6/95

Transition From Cruise to Inertial Mode		ACTIVITY ID:	C9NNINERTL01-		
		START TIME:	97-185/12:43:48.534		
Activity ID: Orbit C9 Target N Inst N OAPEL INERTL SeqNo 01 -					
Title	Transition From Cruise to Inertial Mode Instrument				NIMS
Requestor	NIMS-SWG/J. HUI	Team	NIMS	Working Group	SWG
Time System	CDS	Load ID	Calendar Date	07/04/97	Week 27
Start	DKA-CDS 00000145:00:0	97-185/12:43:48.534	DKA-000/02:26:36.666		
End	DKA-CDS 00000095:00:0	97-185/13:34:21.867	DKA-000/01:36:03.333		
Duration	00000050:00:0	000/00:50:33.333	000/00:50:33.333		
Top Label	C9NNINERTL01-				
Bottom Label					
Plot Key	NIMS	Type	SCI		
CDS Bytes	150	Report Options	BOTH	Scan Platform	No
CDS Source	OAP	Spin State	DUAL	DMS	No
Observation Objective					
Transition from cruise to inertial mode to allow the following observations to occur.					
Design Detail					
Put comment PA on NIMS SSDF to request SEQ team to input the commands for the transition. It takes approximately 50 minutes to do this which includes warming up the gyro.					
Galileo Activity Plan Form			06/09/97	10:29:47	rev 6/95

This page BLANK

NIMS Chopper On		ACTIVITY ID: C9NNCHOPON02-	
		START TIME: 97-185/13:39:25.200	
Activity ID: Orbit C9 Target N Inst N OAPEL CHOPON SeqNo 02 -			
Title	NIMS Chopper On	Instrument	
Requestor	NIMS-AWG/K. BAINES	Team	NIMS Working Group
			NIMS AWG
Time System	CDS	Load ID	Calendar Date 07/04/97 Week 27
Start	DKA-CDS 00000090:00:0	97-185/13:39:25.200	DKA-000/01:31:00.000
End	DKA-CDS 00000080:00:0	97-185/13:49:31.867	DKA-000/01:20:53.333
Duration	00000010:00:0	000/00:10:06.667	000/00:10:06.667
Top Label	C9NNCHOPON02-		
Bottom Label			
Plot Key	NIMS	Type	SCI
CDS Bytes	50	Report Options	BOTH
CDS Source	OAP	Spin State	DUAL
			Scan Platform
			DMS
			No
			No
Observation Objective			
<p>Configure the NIMS instrument for orbit C9 data taking. Turn the chopper on to Reference. This orbit includes observations of Jupiter, Io, Callisto, Europa, Ganymede and the main ring.</p>			
Design Detail			
<p>Use NIMSINIT with the following commands.</p> <pre> 37IST,1,0,0,OFF,0,0,0; Chopper 63 Hz 37IST,1,2,0,OFF,0,0,0; Chopper Ref 37MB,0,0,0,0,0; No Mirror Blocking </pre>			
Galileo Activity Plan Form		06/09/97 10:29:47 rev 6/95	



C9JNAUCAMB01

165MR:TT= 0 TMC=1 C= -14.50 XC= 0.00 BS= 0/7523 TC= 1(-55 90)
 A= 728 pD= 0 SR=17.450 RA50=106.63 DEC50= 23.74 cone= 34.96 clock=275.82
 117MR:#SB= 1 OR= 0.110 RR=12.000 BM=F RC= 1 BS= 0/7523
 1:#s= 1 Cs= 28.00 XCs= 0.20 Cr= 0.00 XCr= 0.00 sD= 900 rD= 182

TARGET G3.1 jmart: 6/11/1997 14:29:54

FILE:P.C9JNAUCAMB01

CENTRAL BODY:JUPITER

MINI:m.target

S/C EPH:/DATA/NAVIO/T-970513-tour.NS

PERIAPSIS:

START:DKA 97-185/15:10:25.200 -CDS 70:00:0

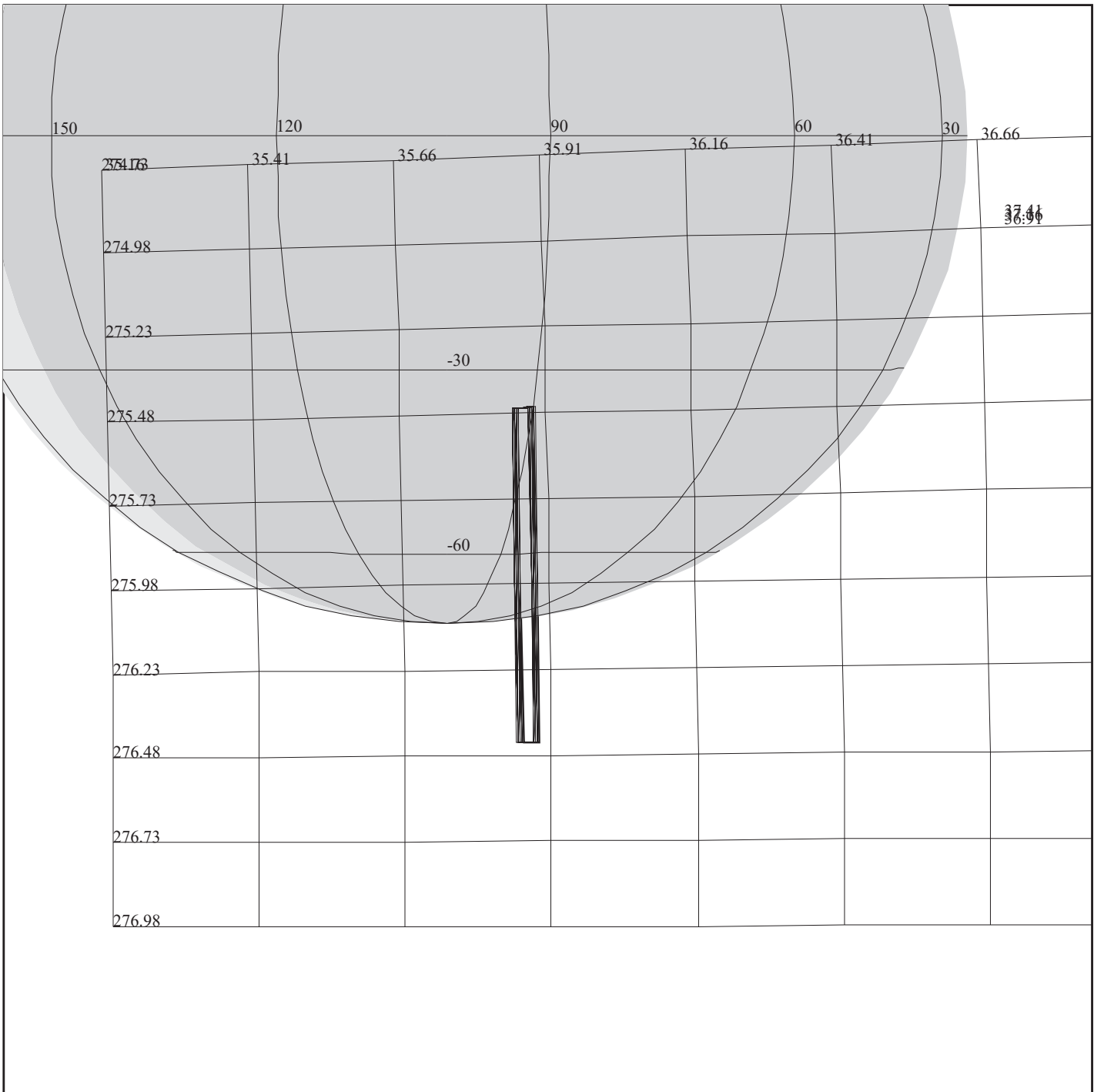
OBSERVATION:C9JNAUCAMB01

THINNING:NIM 2

BODY PLOT TIME:TARGET-TIME D= 0 S= 0.500

DESCRIP:AURORAL CAMPAIGN B MAP NO. 1

Auroral Campaign B Map No. 1		ACTIVITY ID:	C9JNAUCAMB01-		
		START TIME:	97-185/13:54:35.200		
Activity ID: Orbit C9 Target J Inst N OAPEL AUCAMB SeqNo 01 -					
Title	Auroral Campaign B Map No. 1		Instrument		NIMS
Requestor	NIMS-AWG/K. BAINES		Team	NIMS Working Group	AWG
Time System	CDS	Load ID	Calendar Date	07/04/97	Week 27
Start	DKA-CDS 00000075:00:0		97-185/13:54:35.200	DKA-000/01:15:50.000	
End	DKA-CDS 00000065:00:0		97-185/14:04:41.867	DKA-000/01:05:43.333	
Duration	00000010:00:0		000/00:10:06.667	000/00:10:06.667	
Top Label	C9JNAUCAMB01-				
Bottom Label					
Plot Key	NIMS	Type	SCI		
CDS Bytes	150	Report Options	BOTH		
CDS Source	OAP	Spin State	DUAL	Scan Platform	Yes
				DMS	Yes
Observation Objective					
<p>First of two South Auroral maps in shortmap, for comparison with In-Situ Fields and Particles measurements acquired during the FPSG Campaign B of the Transauroral Region.</p>					
Data Returned					
Design Detail					
<p>Shortmap, Nyquist sampled, 3 X 1 map centered at 55 degrees South, 310 degrees West longitude on the Central Meridian. Observation takes 300 seconds using 0.010 tracks, 4 RIMS reserved for targetting. Total duration: 00:09:00.</p>					
Full Map (FM), Gain 4, Grating Start 0, LPU, C9B_JAU126A, C9B_JAU126A					
Galileo Activity Plan Form			06/09/97	10:29:47	rev 6/95



165MS:TT= 0 TMC=1 C= -0.35 XC= 0.00 BS=0/0071 TC= 1(-65 79.30)
 A= 182 pD= 0 SR=17.450 RA50=105.64 DEC50= 23.79 cone= 35.87 clock=275.96

C9JNAURRTB01

TARGET G3.1 jmart: 6/11/1997 14:29:54

FILE:P.C9JNAURRTB01

CENTRAL BODY:JUPITER

MINI:m.target

S/C EPH:/DATA/NAVIO/T-970513-tour.NS

PERIAPSIS:

START:DKA 97-185/15:10:25.200 -CDS 56:00:0

OBSERVATION:C9JNAURRTB01

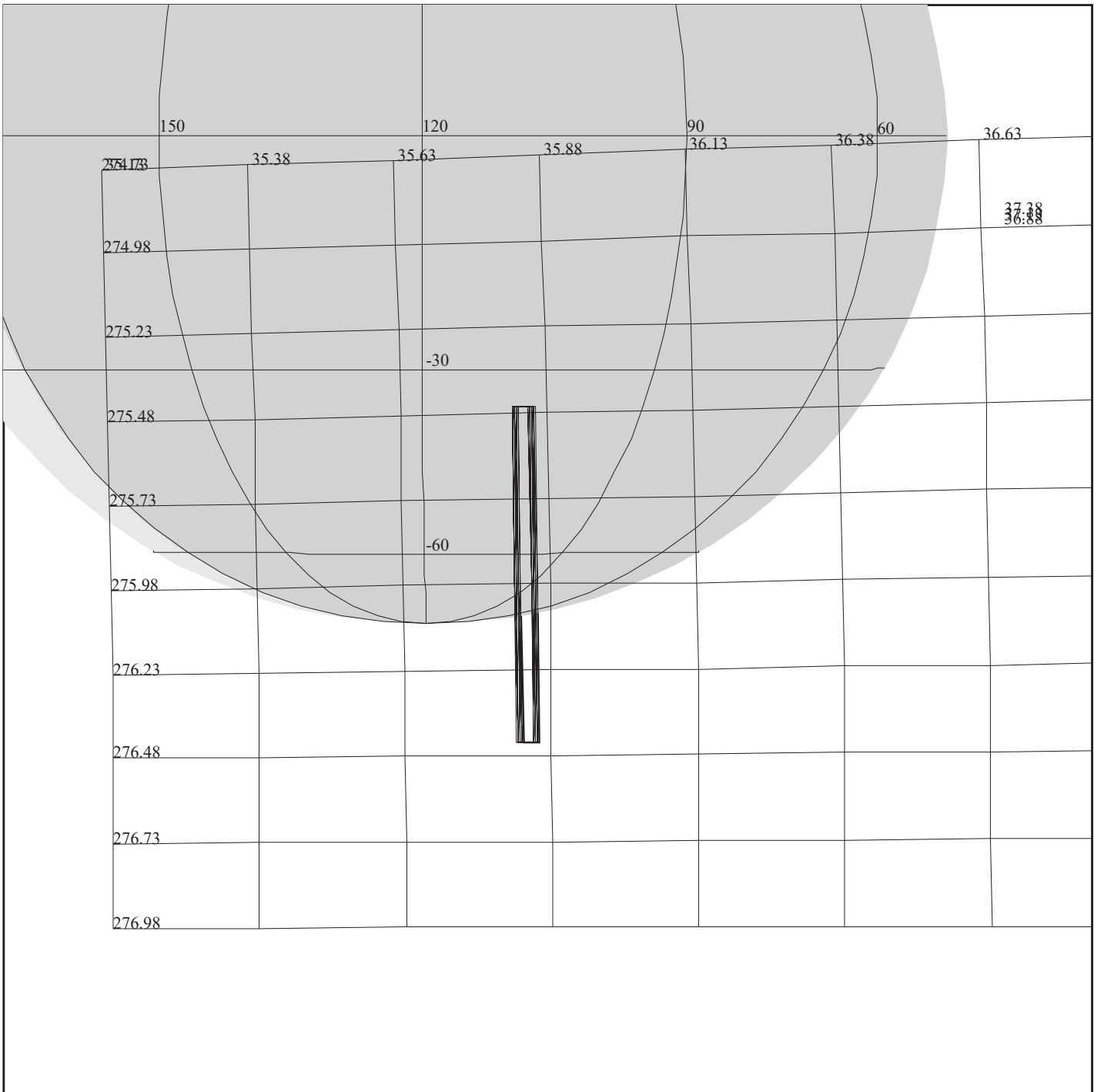
THINNING:NIM 2

BODY PLOT TIME:TARGET-TIME D= 0 S= 1.000

DESCRIP:AURORAL CAMPAIGN B REAL-TIME 1

Auroral Campaign B Real-Time No. 1		ACTIVITY ID:	C9JNAURRTB01-		
		START TIME:	97-185/14:09:45.200		
Activity ID: Orbit C9 Target J Inst N OAPEL AURRTB SeqNo 01 -					
Title	Auroral Campaign B Real-Time No. 1		Instrument		NIMS
Requestor	NIMS-AWG/K. BAINES		Team	NIMS Working Group	AWG
Time System	CDS	Load ID	Calendar Date	07/04/97	Week 27
Start	DKA-CDS 00000060:00:0		97-185/14:09:45.200	DKA-000/01:00:40.000	
End	DKA-CDS 00000051:00:0		97-185/14:18:51.200	DKA-000/00:51:34.000	
Duration	00000009:00:0		000/00:09:06.000	000/00:09:06.000	
Top Label	C9JNAURRTB01-				
Bottom Label					
Plot Key	NIMS	Type	SCI		
CDS Bytes	150	Report Options	BOTH		
CDS Source	OAP	Spin State	DUAL	Scan Platform	Yes
				DMS	No
Observation Objective					
<p>First of five real-time longmap spectra of the South Aurora in association with the FPSG/NIMS Campaign B. This spectral set is used to compare to the 2 NIMS maps associated with this campaign, to compare to other spectral sets, and to compare to FPSG measurements.</p>					
Data Returned					
Design Detail					
<p>Real-time longmap spectra centered near the Central Meridian 65 degrees South, 300 degrees West longitude. Five spectra are taken during the first 12 minor frames of each RIM to correct for boom effects. Four RIMS used for targetting.</p>					
Mirror Blocked (1B,1B) (11011,11011)					
Long Map (LM), Gain 4, Grating Start 0, R/T, RT408					
Galileo Activity Plan Form			06/09/97	10:29:47	rev 6/95

NIMS Star Calibration		ACTIVITY ID:	C9HNSTRCAL01-		
		START TIME:	97-185/14:19:41.867		
Activity ID: Orbit C9 Target H Inst N OAPEL STRCAL SeqNo 01 -					
Title	NIMS Star Calibration		Instrument		NIMS
Requestor	NIMS-SWG/J. HUI		Team	NIMS Working Group	SWG
Time System	CDS	Load ID	Calendar Date	07/04/97	Week 27
Start	DKA-CDS 00000050:15:0		97-185/14:19:41.867	DKA-000/00:50:43.333	
End	DKA-CDS 00000034:00:0		97-185/14:36:02.534	DKA-000/00:34:22.666	
Duration	00000016:15:0		000/00:16:20.667	000/00:16:20.667	
Top Label	C9HNSTRCAL01-				
Bottom Label					
Plot Key	NIMS	Type	SCI		
CDS Bytes	150	Report Options	BOTH		
CDS Source	OAP	Spin State	DUAL	Scan Platform	Yes
				DMS	No
Observation Objective					
<p>NIMS star calibration using Vega (part 1). All detectors, grating positions 0-11. NIMS, XM (Fixed Map), Grating Start = 0, Gain = 4</p> <p>Build a NIMS spectrum of Vega in real-time by stepping through grating start positions in Fixed Map mode. One Rim per grating start position.</p>					
Data Returned					
Design Detail					
<p>Target to Vega (RA = 278.88 Deg., DEC = 38.67 Deg). Offset in cone = 3minutes. Box CMOS across Vega. Select NIMS real-time before, for 12 RIMS, plus or minus 30mf. Mirror Block to return central mirror positions (11011,11011). Each RIM, use 37IOP to step grating start 0-11 in Fixed Map (XM).</p> <p>Check gain, ETB, Mode, MB for entry into next Jupiter observation.</p> <p>Aliases for grating positions 0-11: C9HNSTRCAL01, C9HNSTRCAL02, C9HNSTRCAL03, C9HNSTRCAL04, C9HNSTRCAL05, C9HNSTRCAL06, C9HNSTRCAL07, C9HNSTRCAL08, C9HNSTRCAL09, C9HNSTRCAL10, C9HNSTRCAL11, C9HNSTRCAL12</p> <p>Fixed Map (XM), Gain 4, Grating Start 0-11, R/T, SXM17</p>					
Galileo Activity Plan Form			06/09/97	10:29:48	rev 6/95 f



165MU:TT= 0 TMC=1 C= -0.35 XC= 0.00 BS= 0/5531 TC= 1(-65 92.02)
 A= 728 pD= 0 SR=17.450 RA50=105.68 DEC50= 23.79 cone= 35.84 clock=275.95

C9JNAURRTB02

TARGET G3.1 jmart: 6/11/1997 14:29:54

FILE:P.C9JNAURRTB02

CENTRAL BODY:JUPITER

MINI:m.target

S/C EPH:/DATA/NAVIO/T-970513-tour.NS

PERIAPSIS:

START:DKA 97-185/15:10:25.200 -CDS 26:00:0

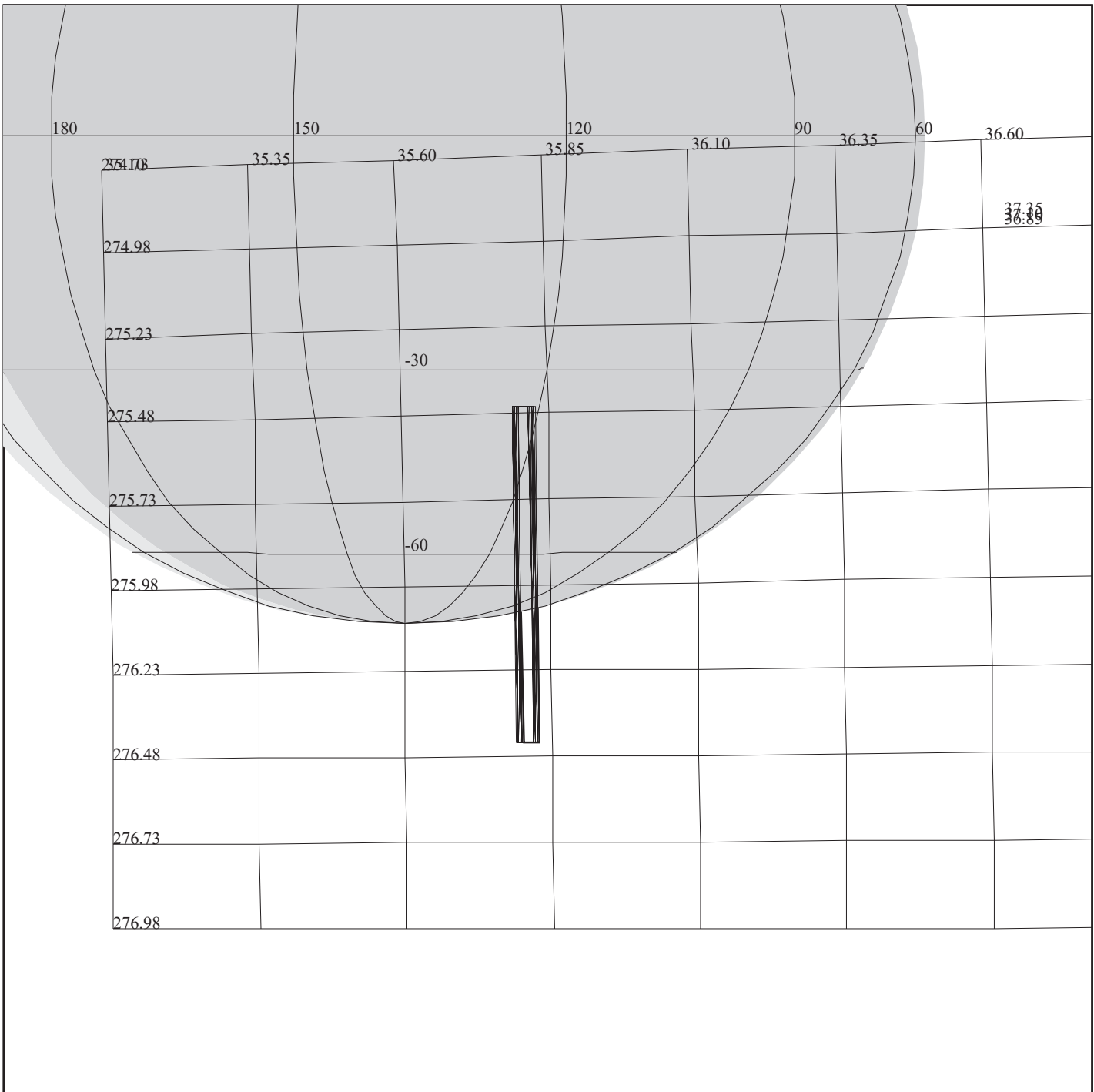
OBSERVATION:C9JNAURRTB02

THINNING:NIM 2

BODY PLOT TIME:TARGET-TIME D= 0 S= 1.000

DESCRIP:AURORAL CAMPAIGN B REAL-TIME 2

Auroral Campaign B Real-Time No. 2		ACTIVITY ID:	C9JNAURRTB02-		
		START TIME:	97-185/14:39:04.534		
Activity ID: Orbit C9 Target J Inst N OAPEL AURRTB SeqNo 02 -					
Title	Auroral Campaign B Real-Time No. 2		Instrument		NIMS
Requestor	NIMS-AWG/K. BAINES		Team	NIMS Working Group	AWG
Time System	CDS	Load ID	Calendar Date	07/04/97	Week 27
Start	DKA-CDS 00000031:00:0		97-185/14:39:04.534	DKA-000/00:31:20.666	
End	DKA-CDS 00000021:00:0		97-185/14:49:11.200	DKA-000/00:21:14.000	
Duration	00000010:00:0		000/00:10:06.666	000/00:10:06.666	
Top Label	C9JNAURRTB02-				
Bottom Label					
Plot Key	NIMS	Type	SCI		
CDS Bytes	150	Report Options	BOTH		
CDS Source	OAP	Spin State	DUAL	Scan Platform	Yes
				DMS	No
Observation Objective					
<p>Second of five real-time longmap spectra of the South Aurora in association with the FPSG/NIMS Campaign B. This spectral set is used to compare to the 2 NIMS maps associated with this campaign, to compare to other spectral sets, and to compare to FPSG measurements.</p>					
Data Returned					
Design Detail					
<p>Real-time longmap spectra centered at the Central Meridian 65 degrees South, 320 degrees West longitude. Five spectra are taken during the first 12 minor frames of each RIM to correct for boom effects. Four RIMS used for targetting.</p>					
Mirror Blocked (1B,1B) (11011,11011)					
Long Map (LM), Gain 4, Grating Start 0, R/T, RT408					
Galileo Activity Plan Form			06/09/97	10:29:48	rev 6/95



165MV:TT= 0 TMC=1 C= -0.35 XC= 0.00 BS=0/0991 TC= 1(-65 104.26)
 A= 484 pD= 0 SR=17.450 RA50=105.71 DEC50= 23.79 cone= 35.81 clock=275.95

C9JNAURRTB03

TARGET G3.1 jmart: 6/11/1997 14:29:54

FILE:P.C9JNAURRTB03

CENTRAL BODY:JUPITER

MINI:m.target

S/C EPH:/DATA/NAVIO/T-970513-tour.NS

PERIAPSIS:

START:DKA 97-185/15:10:25.200 +CDS 4:00:0

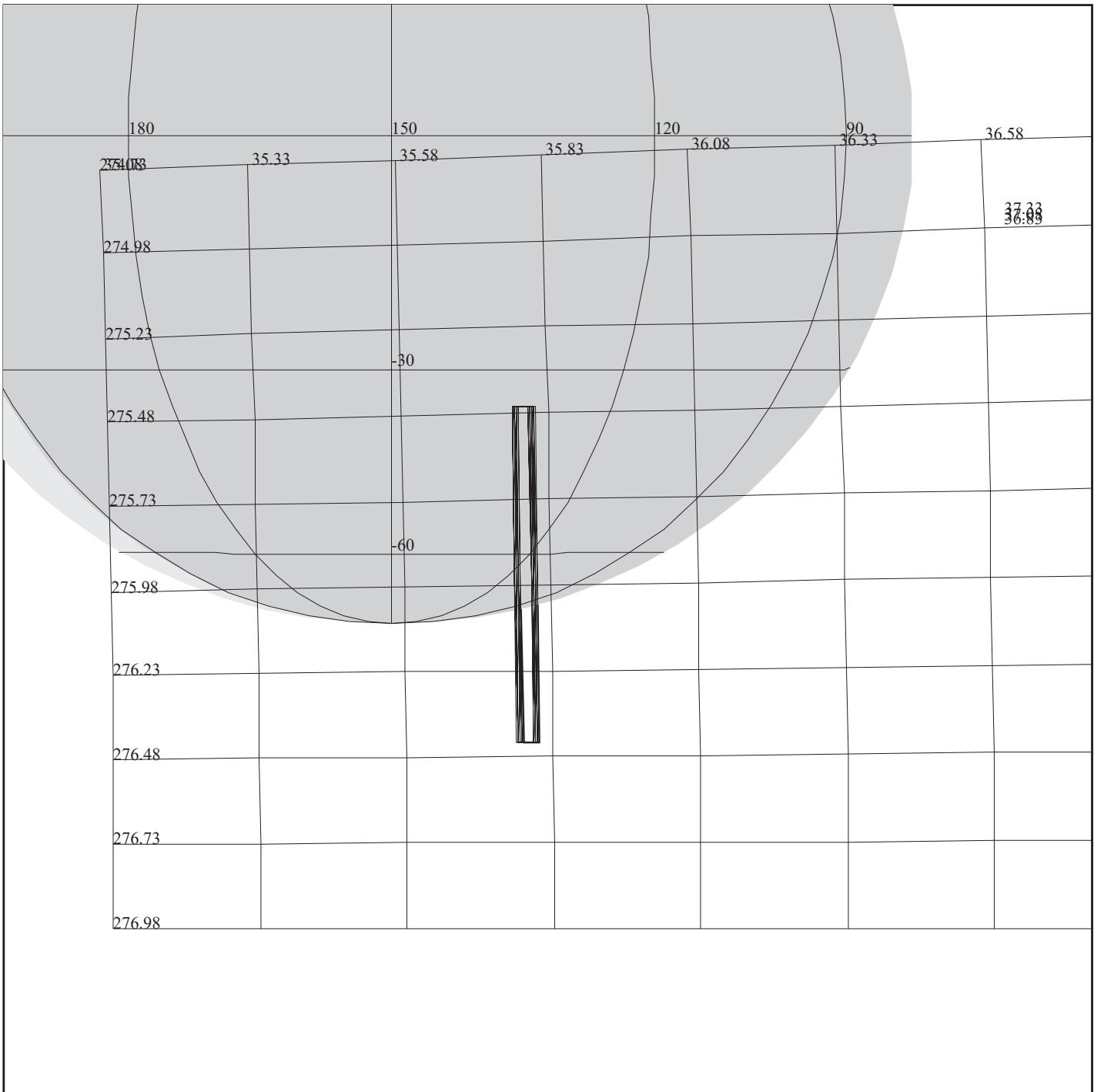
OBSERVATION:C9JNAURRTB03

THINNING:NIM 2

BODY PLOT TIME:TARGET-TIME D= 0 S= 1.000

DESCRIP:AURORAL CAMPAIGN B REAL-TIME 3

Auroral Campaign B Real-Time No. 3		ACTIVITY ID:	C9JNAURRTB03-		
		START TIME:	97-185/15:10:25.200		
Activity ID: Orbit C9 Target J Inst N OAPEL AURRTB SeqNo 03 -					
Title	Auroral Campaign B Real-Time No. 3		Instrument		NIMS
Requestor	NIMS-AWG/K. BAINES		Team	NIMS Working Group	AWG
Time System	CDS	Load ID	Calendar Date	07/04/97	Week 27
Start	DKA+CDS 00000000:00:0		97-185/15:10:25.200	DKA+000/00:00:00.000	
End	DKA+CDS 00000009:00:0		97-185/15:19:31.200	DKA+000/00:09:06.000	
Duration	00000009:00:0		000/00:09:06.000	000/00:09:06.000	
Top Label	C9JNAURRTB03-				
Bottom Label					
Plot Key	NIMS	Type	SCI		
CDS Bytes	150	Report Options	BOTH		
CDS Source	OAP	Spin State	DUAL	Scan Platform	Yes
				DMS	No
Observation Objective					
<p>Third of five real-time longmap spectra of the South Aurora in association with the FPSG/NIMS Campaign B. This spectral set is used to compare to the 2 NIMS maps associated with this campaign, to compare to other spectral sets, and to compare to FPSG measurements.</p>					
Data Returned					
Design Detail					
<p>Real-time longmap spectra centered at the Central Meridian 65 degrees South, 345 degrees West longitude. Five spectra are taken during the first 12 minor frames of each RIM to correct for boom effects. Four RIMS used for targetting.</p>					
Mirror Blocked (1B,1B) (11011,11011)					
Long Map (LM), Gain 4, Grating Start 0, R/T, RT408					
Galileo Activity Plan Form			06/09/97	10:29:48	rev 6/95



165DB:TT= 0 TMC=1 C= -0.35 XC= 0.00 BS= 0/4631 TC= 1(-65 112.47)
 A= 484 pD= 0 SR=17.450 RA50=105.73 DEC50= 23.79 cone= 35.78 clock=275.95

C9JNAURRTB04

TARGET G3.1 jmart: 6/11/1997 14:29:54

FILE:P.C9JNAURRTB04

CENTRAL BODY:JUPITER

MINI:m.target

S/C EPH:/DATA/NAVIO/T-970513-tour.NS

PERIAPSIS:

START:DKA 97-185/15:10:25.200 +CDS 24:00:0

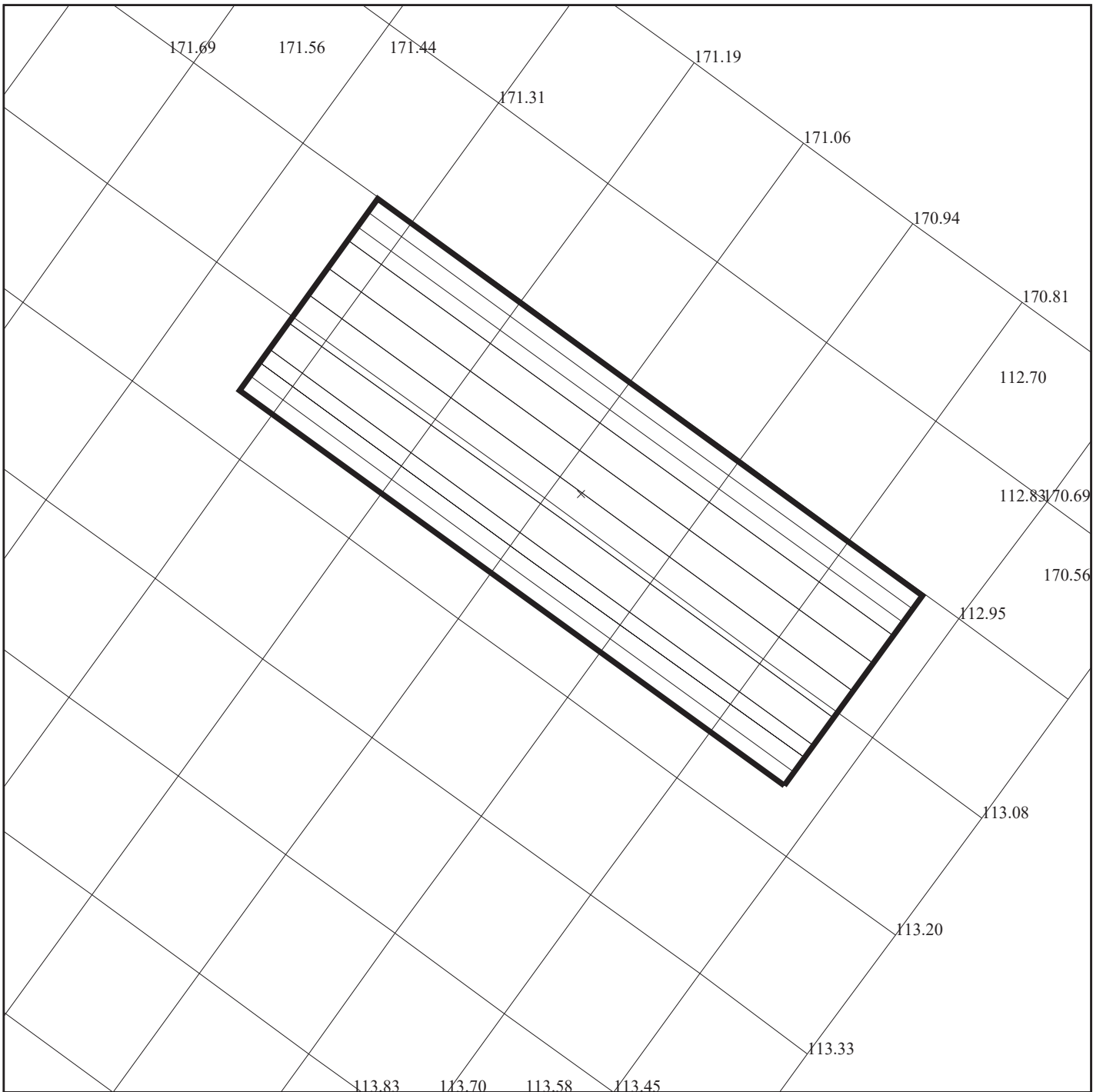
OBSERVATION:C9JNAURRTB04

THINNING:NIM 2

BODY PLOT TIME:TARGET-TIME D= 0 S= 1.000

DESCRIP:AURORAL CAMPAIGN B REAL-TIME 4

Auroral Campaign B Real-Time No. 4		ACTIVITY ID:	C9JNAURRTB04-		
		START TIME:	97-185/15:30:38.533		
Activity ID: Orbit C9 Target J Inst N OAPEL AURRTB SeqNo 04 -					
Title	Auroral Campaign B Real-Time No. 4		Instrument		NIMS
Requestor	NIMS-AWG/K. BAINES		Team	NIMS Working Group	AWG
Time System	CDS	Load ID	Calendar Date	07/04/97	Week 27
Start	DKA+CDS	00000020:00:0	97-185/15:30:38.533	DKA+000/00:20:13.333	
End	DKA+CDS	00000029:00:0	97-185/15:39:44.533	DKA+000/00:29:19.333	
Duration		00000009:00:0	000/00:09:06.000	000/00:09:06.000	
Top Label	C9JNAURRTB04-				
Bottom Label					
Plot Key	NIMS	Type	SCI		
CDS Bytes	150	Report Options	BOTH		
CDS Source	OAP	Spin State	DUAL	Scan Platform	Yes
				DMS	No
Observation Objective					
<p>Fourth of five real-time longmap spectra of the South Aurora in association with the FPSG/NIMS Campaign B. This spectral set is used to compare to the 2 NIMS maps associated with this campaign, to compare to other spectral sets, and to compare to FPSG measurements.</p>					
Data Returned					
Design Detail					
<p>Real-time longmap spectra centered near the Central Meridian 65 degrees South, 355 degrees West longitude. Five spectra are taken during the first 12 minor frames of each RIM to correct for boom effects. Four RIMS used for targetting.</p>					
Mirror Blocked (1B,1B) (11011,11011)					
Long Map (LM), Gain 4, Grating Start 0, R/T, RT408					
Galileo Activity Plan Form			06/09/97	10:29:48	rev 6/95



165DA:TT= 0 TMC= 1 C= 1.50 XC= 0.00 BS= 0/6451 TC=14(Vega)
 A= 728 pD= 0 SR=17.450 RA50=278.89 DEC50= 38.68 cone=113.14 clock=171.04
 117DA:#SB= 1 OR= 0.760 RR=12.000 BM=F RC= 1 BS= 0/6451
 1:#s= 42 Cs= -3.00 XCs= 0.00 Cr= 3.00 XCr= 0.00 sD= 30 rD= 16

C9HNSTRCAL02

TARGET G3.1 jmart: 6/11/1997 14:29:54

FILE:P.C9HNSTRCAL02

CENTRAL BODY:JUPITER

MINI:m.target

S/C EPH:/DATA/NAVIO/T-970513-tour.NS

PERIAPSIS:

START:DKA 97-185/15:10:25.200 +CDS 34:00:0

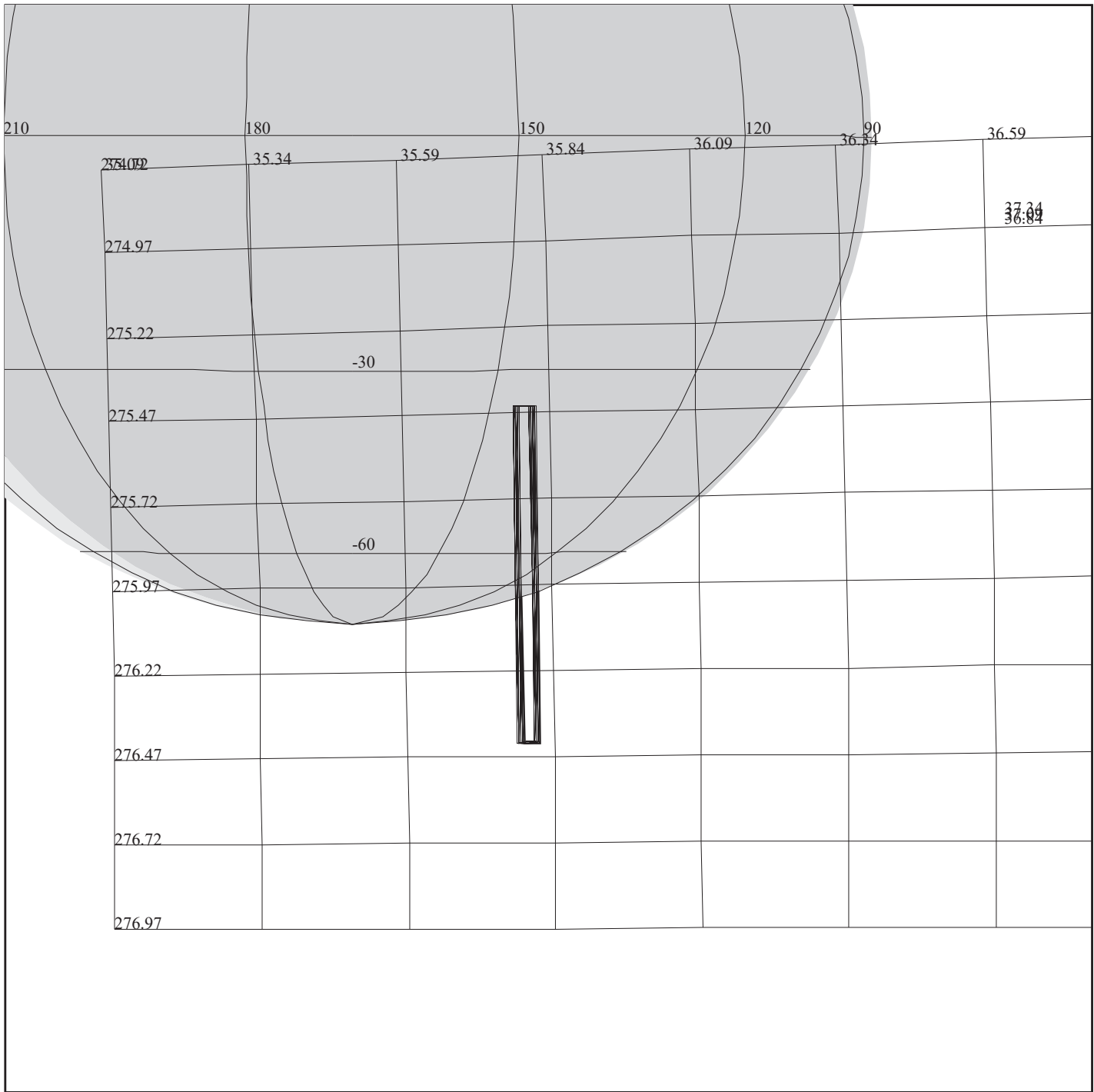
OBSERVATION:C9HNSTRCAL02

THINNING:NIM 2

BODY PLOT TIME:TARGET-TIME D= 0 S= 2.000

DESCRIP:NIMS_Vega_Star_Calibration

NIMS Star Calibration		ACTIVITY ID: C9HNSTRCAL02-	
		START TIME: 97-185/15:40:35.200	
Activity ID: Orbit C9 Target H Inst N OAPEL STRCAL SeqNo 02 -			
Title	NIMS Star Calibration		Instrument
Requestor	NIMS-SWG/J. HUI	Team	NIMS Working Group
			NIMS SWG
Time System	CDS	Load ID	Calendar Date 07/04/97 Week 27
Start	DKA+CDS 00000029:76:0	97-185/15:40:35.200	DKA+000/00:30:10.000
End	DKA+CDS 00000046:00:0	97-185/15:56:55.866	DKA+000/00:46:30.666
Duration	00000016:15:0	000/00:16:20.666	000/00:16:20.666
Top Label	C9HNSTRCAL02-		
Bottom Label			
Plot Key	NIMS	Type	SCI
CDS Bytes	150	Report Options	BOTH
CDS Source	OAP	Spin State	DUAL
		Scan Platform	DMS
			Yes
			No
Observation Objective			
<p>NIMS star calibration using Vega (part 2). All detectors, grating positions 12-23. NIMS, XM (Fixed Map), Grating Start = 0, Gain = 4</p> <p>Build a NIMS spectrum of Vega in real-time by stepping through grating start positions in Fixed Map mode. One Rim per grating start position.</p>			
Data Returned			
Design Detail			
<p>Target to Vega (RA = 278.88 Deg., DEC = 38.67 Deg). Offset in cone = 3minutes. Box CMOS across Vega. Select NIMS real-time before, for 12 RIMS, plus or minus 30mf. Mirror Block to return central mirror positions (11011,11011). Each RIM, use 37IOP to step grating start 12-23 in Fixed Map (XM). Check gain, ETB, Mode, MB for entry into next Jupiter observation.</p> <p>Aliases for grating positions 12-23: C9HNSTRCAL13, C9HNSTRCAL14, C9HNSTRCAL15, C9HNSTRCAL16, C9HNSTRCAL17, C9HNSTRCAL18, C9HNSTRCAL19, C9HNSTRCAL20, C9HNSTRCAL21, C9HNSTRCAL22, C9HNSTRCAL23, C9HNSTRCAL24</p> <p>Fixed Map (XM), Gain 4, Grating Start 12-23, R/T, SXM17</p>			
Galileo Activity Plan Form		06/09/97 10:29:48	rev 6/95 f



165MX:TT= 0 TMC=1 C= -0.35 XC= 0.00 BS=0/0091 TC= 1(-65 116.70)
 A= 484 pD= 0 SR=17.450 RA50=105.73 DEC50= 23.79 cone= 35.79 clock=275.94

C9JNAURRTB05

TARGET G3.1 jmart: 6/11/1997 14:29:54

FILE:P.C9JNAURRTB05

CENTRAL BODY:JUPITER

MINI:m.target

S/C EPH:/DATA/NAVIO/T-970513-tour.NS

PERIAPSIS:

START:DKA 97-185/15:10:25.200 +CDS 54:00:0

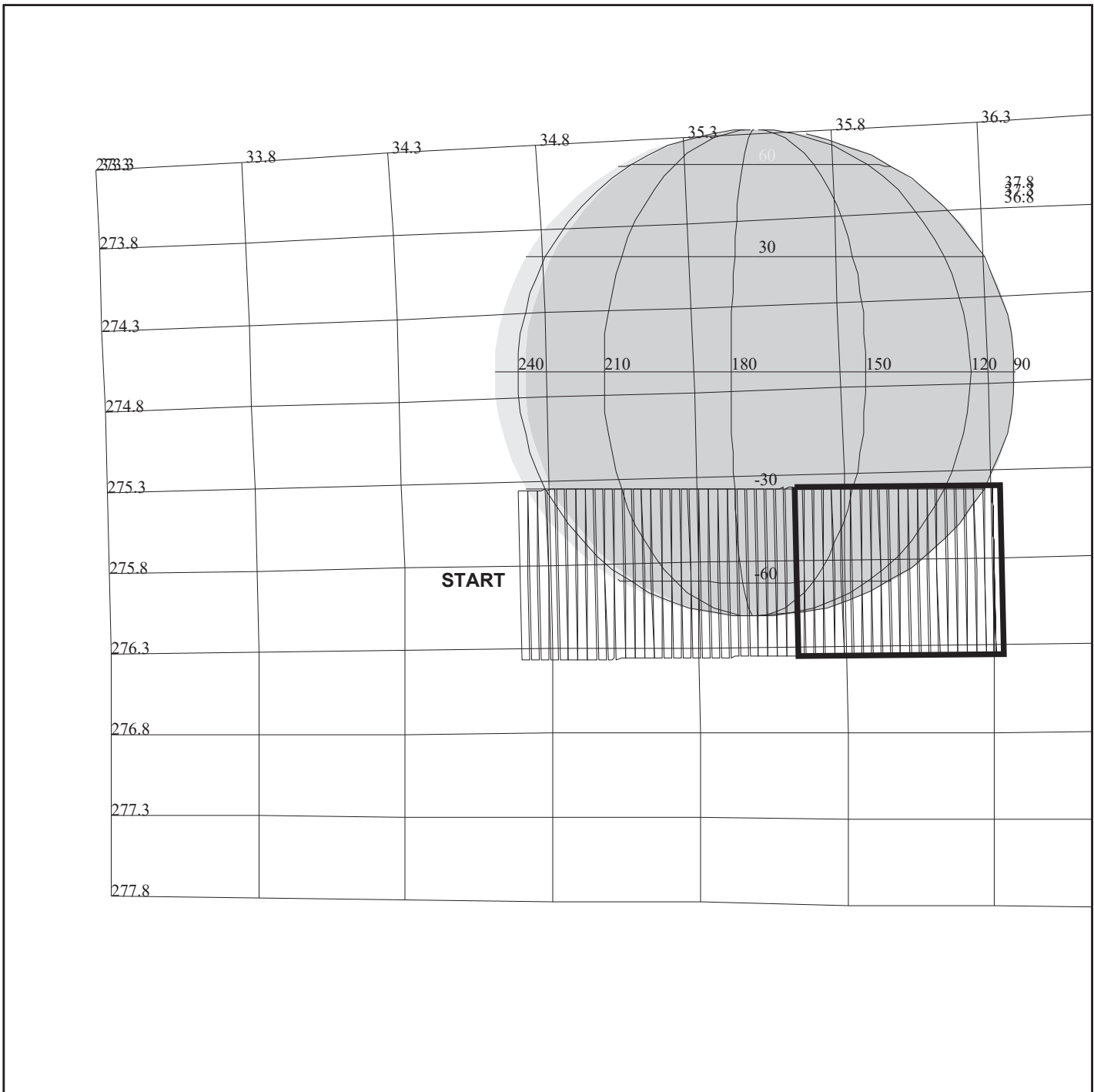
OBSERVATION:C9JNAURRTB05

THINNING:NIM 2

BODY PLOT TIME:TARGET-TIME D= 0 S= 1.000

DESCRIP:AURORAL CAMPAIGN B REAL-TIME 5

Auroral Campaign B Real-Time No. 5		ACTIVITY ID:	C9JNAURRTB05-		
		START TIME:	97-185/16:00:58.533		
Activity ID: Orbit C9 Target J Inst N OAPEL AURRTB SeqNo 05 -					
Title	Auroral Campaign B Real-Time No. 5		Instrument		NIMS
Requestor	NIMS-AWG/K. BAINES		Team	NIMS Working Group	AWG
Time System	CDS	Load ID	Calendar Date	07/04/97	Week 27
Start	DKA+CDS 00000050:00:0		97-185/16:00:58.533	DKA+000/00:50:33.333	
End	DKA+CDS 00000059:00:0		97-185/16:10:04.533	DKA+000/00:59:39.333	
Duration	00000009:00:0		000/00:09:06.000	000/00:09:06.000	
Top Label	C9JNAURRTB05-				
Bottom Label					
Plot Key	NIMS	Type	SCI		
CDS Bytes	150	Report Options	BOTH		
CDS Source	OAP	Spin State	DUAL	Scan Platform	Yes
				DMS	No
Observation Objective					
<p>Fifth of five real-time longmap spectra of the South Aurora in association with the FPSG/NIMS Campaign B. This spectral set is used to compare to the 2 NIMS maps associated with this campaign, to compare to other spectral sets, and to compare to FPSG measurements.</p>					
Data Returned					
Design Detail					
<p>Real-time longmap spectra centered near the Central Meridian 65 degrees South, 20 degrees West longitude. Five spectra are taken during the first 12 minor frames of each RIM to correct for boom effects. Four RIMS used for targetting.</p>					
Mirror Blocked (1B,1B) (11011,11011)					
Long Map (LM), Gain 4, Grating Start 0, R/T, RT408					
Galileo Activity Plan Form			06/09/97	10:29:48	rev 6/95



C9JNAUCAMB02

165MT:TT= 0 TMC=1 C= -23.00 XC= 0.00 BS= 0/2093 TC= 1(-55 90)
 A= 484 pD= 0 SR=17.450 RA50=106.93 DEC50= 23.70 cone= 34.68 clock=275.81
 117MT:#SB= 1 OR= 0.110 RR=12.000 BM=F RC= 1 BS= 0/2093
 1:#s= 1 Cs= 28.00 XCs= 0.20 Cr= 0.00 XCr= 0.00 sD= 900 rD= 2

TARGET G3.1 jmart: 6/11/1997 14:29:54

FILE:P.C9JNAUCAMB02

CENTRAL BODY:JUPITER

MINI:m.target

S/C EPH:/DATA/NAVIO/T-970513-tour.NS

PERIAPSIS:

START:DKA 97-185/15:10:25.200 +CDS 65:00:0

OBSERVATION:C9JNAUCAMB02

THINNING:NIM 2

BODY PLOT TIME:TARGET-TIME D= 0 S= 0.500

DESCRIP:AURORAL CAMPAIGN B MAP NO. 2

Auroral Campaign B Map No. 2		ACTIVITY ID:	C9JNAUCAMB02-		
		START TIME:	97-185/16:12:05.866		
Activity ID: Orbit C9 Target J Inst N OAPEL AUCAMB SeqNo 02 -					
Title	Auroral Campaign B Map No. 2		Instrument		NIMS
Requestor	NIMS-AWG/K. BAINES		Team	NIMS Working Group	AWG
Time System	CDS	Load ID	Calendar Date	07/04/97	Week 27
Start	DKA+CDS 00000061:00:0		97-185/16:12:05.866	DKA+000/01:01:40.666	
End	DKA+CDS 00000070:00:0		97-185/16:21:11.866	DKA+000/01:10:46.666	
Duration	00000009:00:0		000/00:09:06.000	000/00:09:06.000	
Top Label	C9JNAUCAMB02-				
Bottom Label					
Plot Key	NIMS	Type	SCI		
CDS Bytes	150	Report Options	BOTH		
CDS Source	OAP	Spin State	DUAL	Scan Platform	Yes
			DMS		Yes
Observation Objective					
<p>Second of two South Auroral maps in shortmap, for comparison with In-Situ Fields and Particles measurements acquired during the FPSG Campaign B of the Transauroral Region.</p>					
Data Returned					
Design Detail					
<p>Shortmap, Nyquist sampled, 3 X 1 map centered at 55 degrees South, 300 degrees West longitude on the Central Meridian. Observation takes 300 seconds using 0.010 tracks, 4 RIMS reserved for targetting. Total duration: 00:09:00.</p> <p>First half of observation lost, never recovered.</p>					
Full Map (FM), Gain 4, Grating Start 0, LPU, C9B_JAU126A, C9B_JAU126A					
Galileo Activity Plan Form			06/09/97	10:29:48	rev 6/95

NIMS Chopper Off		ACTIVITY ID: C9NNCHOPOF02-	
		START TIME: 97-185/16:22:12.533	
Activity ID: Orbit C9 Target N Inst N OAPEL CHOPOF SeqNo 02 -			
Title	NIMS Chopper Off		Instrument
Requestor	NIMS-AWG/K. BAINES		NIMS AWG
	Team	NIMS	Working Group
Time System	CDS	Load ID	Calendar Date 07/04/97 Week 27
Start	DKA+CDS 00000071:00:0		97-185/16:22:12.533 DKA+000/01:11:47.333
End	DKA+CDS 00000082:00:0		97-185/16:33:19.866 DKA+000/01:22:54.666
Duration	00000011:00:0		000/00:11:07.333 000/00:11:07.333
Top Label	C9NNCHOPOF02-		
Bottom Label			
Plot Key	NIMS	Type	SCI
CDS Bytes	50	Report Options	BOTH
CDS Source	OAP	Spin State	DUAL
		Scan Platform	No
		DMS	No
Observation Objective			
To preserve the NIMS chopper life.			
Design Detail			
Use a NIMSTAB PA to reset wavelength table with parameters 04,C4,02,00,00 and to issue a 37IOP,0,0 to put NIMS in safe.			
Then:			
Use two NIMS 37IST commands to turn chopper off:			
37IST,0,1,0,0,OFF,0,0,0 (Change Chopper Ref to 63Hz)			
37IST,0,1,1,0,OFF,0,0,0 (Change Chopper 63Hz to OFF)			
Also use a NIMS 37MB command to reset the mirror positions:			
37MB,0,0,0,0,0,0,0 (00000,00000)			
Galileo Activity Plan Form		06/09/97 10:29:48 rev 6/95	

Transition from Inertial to Curise Mode ACTIVITY ID: C9NNCRUISE01-
START TIME: 97-185/16:23:13.200

Activity ID: Orbit C9 Target N Inst N OAPEL CRUISE SeqNo 01 -

Title Transition from Inertial to Curise ModeInstrument NIMS
Requestor NIMS-SWG/J. HUI Team NIMS Working Group SWG

Time System CDS Load ID Calendar Date 07/04/97 Week 27
Start DKA+CDS 00000072:00:0 97-185/16:23:13.200 DKA+000/01:12:48.000
End DKA+CDS 00000087:00:0 97-185/16:38:23.200 DKA+000/01:27:58.000
Duration 00000015:00:0 000/00:15:10.000 000/00:15:10.000

Top Label C9NNCRUISE01-
Bottom Label
Plot Key NIMS Type SCI
CDS Bytes 100 Report Options BOTH Scan Platform No
CDS Source OAP Spin State DUAL DMS No

Observation Objective

Transition from inertial to cruise mode after doing NIMS AWG science observations.

Design Detail

Put comment PA in NIMS SSDF to request SEQ to input commands for the transition. It takes approximately 15 minutes.

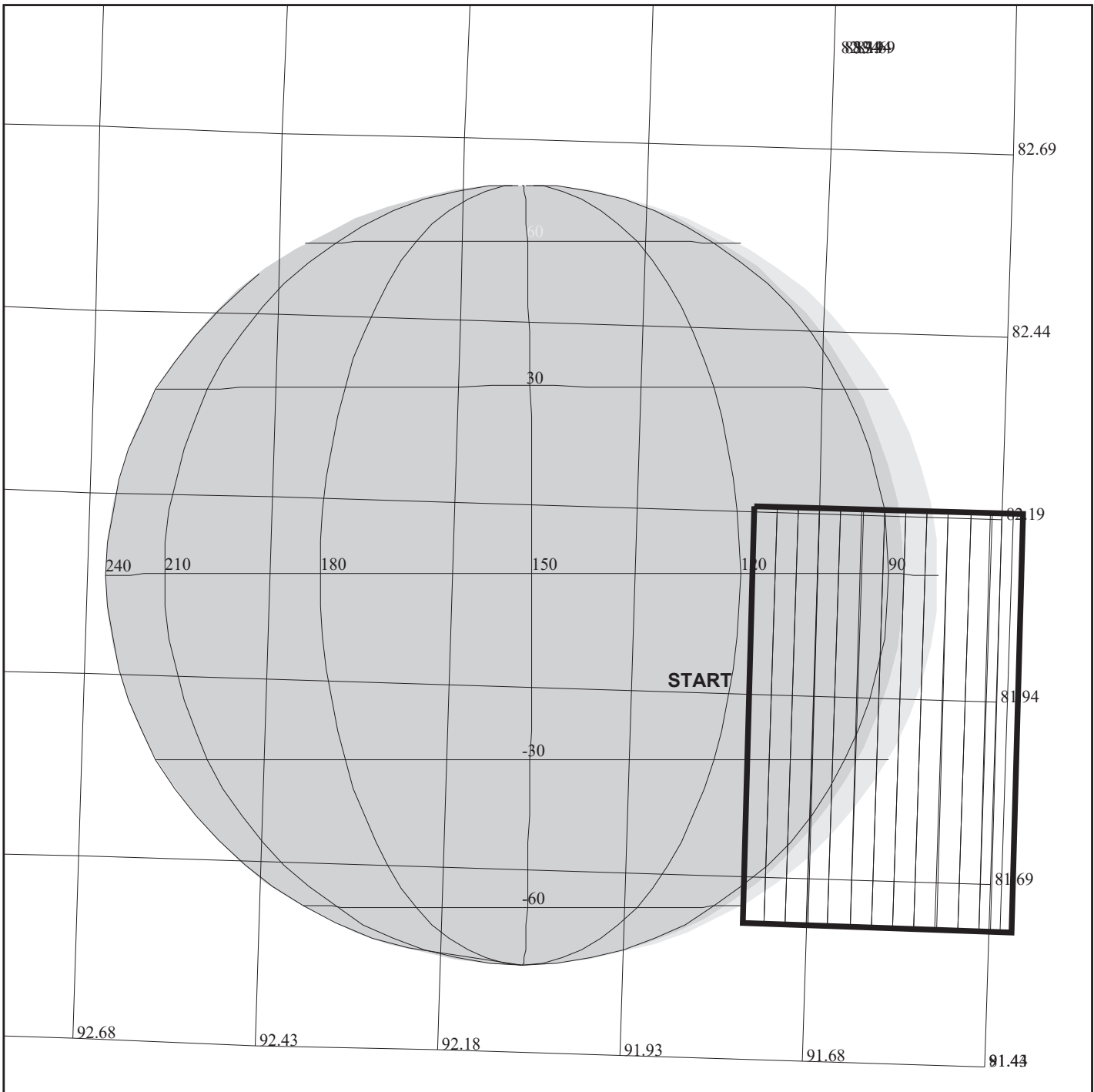
Galileo Activity Plan Form 06/09/97 10:29:48 rev 6/95

NIMS RCT Real Time		ACTIVITY ID: C9NNRCTRLT01-	
		START TIME: 97-194/09:13:54.733	
Activity ID: Orbit C9 Target N Inst N OAPEL RCTRLT SeqNo 01 -			
Title	NIMS RCT Real Time	Instrument	NIMS
Requestor	NIMS-SWG/M. SEGURA	Team NIMS Working Group	SWG
Time System	CDS	Load ID	Calendar Date 07/13/97 Week 28
Start	RTA-CDS 00000000:00:0	97-194/09:13:54.733	RTA-000/00:00:00.000
End	RTA+CDS 00000787:00:0	97-194/22:29:39.399	RTA+000/13:15:44.666
Duration	00000787:00:0	000/13:15:44.666	000/13:15:44.666
Top Label	C9NNRCTRLT01-		
Bottom Label			
Plot Key	NIMS	Type	SCI
CDS Bytes	500	Report Options	BOTH
CDS Source	OAP	Spin State	DUAL
		Scan Platform	No
		DMS	No
Observation Objective			
<p>This observation is a NIMS radiometric calibration using the RCT target. The data will be used to calibrate the NIMS thermal detectors. The calibration data will be returned using Real-time Telemetry.</p>			
Data Returned			
Design Detail			
<p>This is a Library Sequence.</p> <p>The Dark cone angle must be selected using Pointer.</p> <ol style="list-style-type: none"> 1) Turn on RCT Heaters for 12 hours. 2) Set Engineering Variable Map to return NIMS Temps more frequently. 3) Set NIMS to Long Map Mode, Gain state 1, Chopper Reference, Mirror Blocking (11011,11011), ETB=RCT252. 4) Pause playback before using scan platform. 5) Slew to Dark (cone = 119.7), return 1 grating cycle (12 mf) in R/T 6) Slew to RCT (cone = 0.0), return 2 grating cycles (12 mf) in R/T 7) Slew to Dark (cone = 119.7), return 1 grating cycle (12 mf) in R/T 8) Slew to Safe (cone = 153.0) 9) Set NIMS to Safe Mode and turn off Chopper. 10) Resume Playback after using scan platform. <p>Long Map (LM), Gain 1, Grating Start 0, R/T, C9RCT252</p>			
Galileo Activity Plan Form		06/09/97 10:29:48	rev 6/95 f

NIMS Real-Time PCT Calibration		ACTIVITY ID:	C9NNPCTRLT01-		
		START TIME:	97-195/04:04:56.667		
Activity ID: Orbit C9 Target N Inst N OAPEL PCTRLT SeqNo 01 -					
Title	NIMS Real-Time PCT Calibration		Instrument		NIMS
Requestor	NIMS-AWG/M. SEGURA		Team	NIMS Working Group	SWG
Time System	CDS	Load ID	Calendar Date	07/14/97	Week 28
Start	PCT-CDS 00000005:00:0		97-195/04:04:56.667	PCT-000/00:05:03.333	
End	PCT+CDS 00000434:00:0		97-195/11:28:49.333	PCT+000/07:18:49.333	
Duration	00000439:00:0		000/07:23:52.666	000/07:23:52.666	
Top Label	C9NNPCTRLT01-				
Bottom Label					
Plot Key	NIMS	Type	SCI		
CDS Bytes	450	Report Options	BOTH		
CDS Source	OAP	Spin State	DUAL	Scan Platform	Yes
				DMS	No
Observation Objective					
<p>This observation is a NIMS photometric calibration using the PCT target. The data will be used to calibrate the NIMS visible detectors. The calibration data will be returned via Real-Time. This calibration will take place during special off-earthline turn in C9 cruise when the spacecraft sun angle is 0 degrees.</p> <p>This was to be the BEST NIMS PCT cal during Prime Mission.</p> <p>Poor MUB management caused the NIMS PCT realtime packets to be pushed out of the RealTime Buffer and not returned.</p> <p>No Data Returned</p>					
Design Detail					
<ol style="list-style-type: none"> 1) Turn off Shield Heaters 48 hours before the calibration. 2) Turn off PCT heaters 6 hours before calibration. 3) Scan Platform is at Safe/Unstow (cone = 153.00, clock = 0.00) 4) Chopper on, Gain State 4, 5) Set NIMS to Long Map Mode, ETB = PCT252, Mirror Blocking (1B, 1B) (11011, 11011) 6) Select 1 RIM of Dark in Real-Time (Return 1 LM grating cycle) 7) Slew to PCT (cone = 54.88, clock = 244.07) 8) Select 10 RIMS of PCT in Real-Time (Return 10 LM grating cycles) 9) Slew to Safe (cone = 153.00, clock = 0.00) 10) NIMS to Safe Mode, Reset Mirror Blocking (00,00) (00000,00000) 11) Chopper Off <p>Long Map (LM), Gain 4, Grating Start 0, RT, C9PCT252</p>					
Galileo Activity Plan Form			06/09/97	10:29:48	rev 6/95

Power Mode CAL/DEC NIMS Rec Cal		ACTIVITY ID: C9NNRCTRLT02-	
		START TIME: 97-223/01:00:21.933	
Activity ID: Orbit C9 Target N Inst N OAPEL RCTRLT SeqNo 02 -			
Title Requestor	Power Mode CAL/DEC NIMS Rec Cal NIMS-SWG/M. SEGURA	Instrument Team	NIMS Working Group SWG
Time System	CDS	Load ID	Calendar Date 08/11/97 Week 32
Start	RTB+CDS 00000000:00:0	97-223/01:00:21.933	RTB+000/00:00:00.000
End	RTB+CDS 00000787:00:0	97-223/14:16:06.599	RTB+000/13:15:44.666
Duration	00000787:00:0	000/13:15:44.666	000/13:15:44.666
Top Label	C9NNRCTRLT02-		
Bottom Label			
Plot Key	NIMS	Type	SCI
CDS Bytes	500	Report Options	BOTH
CDS Source	OAP	Spin State	DUAL
		Scan Platform	Yes
		DMS	No
Observation Objective			
<p>This observation is a NIMS radiometric calibration using the RCT target. the data will be used to calibrate the NIMS thermal detectors. The calibration data will be returned using Real-time Telemetry.</p>			
Data Returned			
Design Detail			
<p>This is a Library Sequence.</p> <p>The Dark cone angle must be selected using Pointer.</p> <ol style="list-style-type: none"> 1) Turn on RCT Heaters for 12 hours. 2) Set Engineering Variable Map to return NIMS Temps more frequently. 3) Set NIMS to Long Map Mode, Gain state 1, Chopper Reference, Mirror Blocking (11011,11011), ETB=RCT252. 4) Pause playback before using scan platform. 5) Slew to Dark (cone = 119.7), return 1 grating cycle (12 mf) in R/T 6) Slew to RCT (cone = 0.0), return 2 grating cycles (12 mf) in R/T 7) Slew to Dark (cone = 119.7), return 1 grating cycle (12 mf) in R/T 8) Slew to Safe (cone = 153.0) 9) Set NIMS to Safe Mode and turn off Chopper. 10) Resume Playback after using scan platform. <p>Long Map (LM), Gain 1, Grating Start 0, R/T, C9RCT252</p>			
Galileo Activity Plan Form		06/09/97 10:29:49 rev 6/95 f	

NIMS Chopper On		ACTIVITY ID: C9NNCHOPON04-	
		START TIME: 97-246/21:39:55.399	
Activity ID: Orbit C9 Target N Inst N OAPEL CHOPON SeqNo 04 -			
Title	NIMS Chopper On	Instrument	
Requestor	NIMS-AWG/K. BAINES	Team	NIMS Working Group
			NIMS AWG
Time System	CDS	Load ID	Calendar Date 09/03/97 Week 36
Start	HPA+CDS 00001285:00:0	97-246/21:39:55.399	HPA+000/21:39:16.666
End	HPA+CDS 00001295:00:0	97-246/21:50:02.066	HPA+000/21:49:23.333
Duration	00000010:00:0	000/00:10:06.667	000/00:10:06.667
Top Label	C9NNCHOPON04-		
Bottom Label			
Plot Key	NIMS	Type	SCI
CDS Bytes	50	Report Options	BOTH
CDS Source	OAP	Spin State	DUAL
			Scan Platform
			No
			DMS
			No
Observation Objective			
<p>Configure the NIMS instrument for orbit C9 data taking. Turn the chopper on to Reference. This orbit includes observations of Jupiter, Io, Callisto, Europa, Ganymede and the main ring.</p>			
Design Detail			
<p>Use NIMSINIT with the following commands.</p> <pre> 37IST,1,0,0,OFF,0,0,0; Chopper 63 Hz 37IST,1,2,0,OFF,0,0,0; Chopper Ref 37MB,0,0,0,0,0; No Mirror Blocking </pre>			
Galileo Activity Plan Form		06/09/97 10:29:49 rev 6/95	



C9JNGRS15601

165LJ:TT= 0 TMC= 1 C= 3.00 XC= 0.00 BS= 0/6306 TC=1(-23 84)
 A= 728 pD= 0 SR=17.450 RA50=163.73 DEC50= 6.75 cone= 91.76 clock= 81.91
 117LJ:#SB= 1 OR= 0.100 RR=12.000 BM=F RC= 1 BS= 0/6306
 1:#s= 1 Cs= -6.00 XCs= 0.00 Cr= 0.00 XCr= 0.00 sD= 182 rD= 2

DESIGN G3.1 jmart: 6/12/1997 11:46: 1

FILE:P.C9JNGRS15601

CENTRAL BODY:JUPITER III

MINI:m.C9JNGRS15601

S/C EPH:/DATA/NAVIO/T-970513-tour.NS

PERIAPSIS:

THINNING:NIM 2

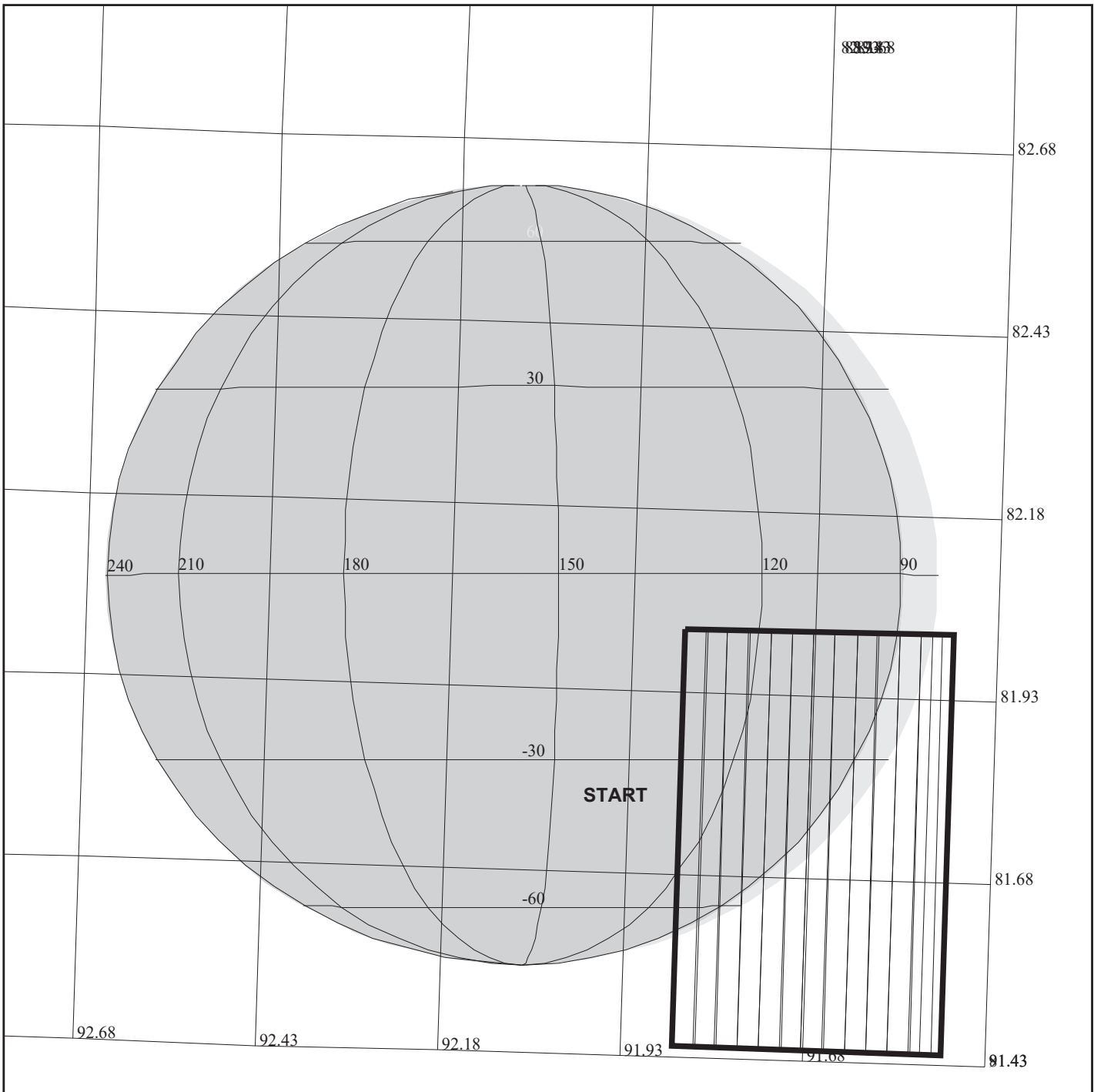
START:HPA 97-246/00:00:38.733 +CDS 1311:00:0

BODY PLOT TIME:TARGET-TIME D= 0 S= 0.800

OBSERVATION:C9JNGRS15601

DESCRIP:Jupiter_Great_Red_Spot_156_Deg

Jupiter Great Red Spot 156 Degrees		ACTIVITY ID:	C9JNGRS15601-		
		START TIME:	97-246/22:01:09.399		
Activity ID: Orbit C9 Target J Inst N OAPEL GRS156 SeqNo 01 -					
Title	Jupiter Great Red Spot 156 Degrees		Instrument		NIMS
Requestor	NIMS-AWG/K. BAINES		Team NIMS	Working Group	AWG
Time System	CDS	Load ID	Calendar Date	09/03/97	Week 36
Start	HPA+CDS 00001306:00:0		97-246/22:01:09.399	HPA+000/22:00:30.666	
End	HPA+CDS 00001312:00:0		97-246/22:07:13.399	HPA+000/22:06:34.666	
Duration	00000006:00:0		000/00:06:04.000	000/00:06:04.000	
Top Label	C9JNGRS15601-				
Bottom Label					
Plot Key	NIMS	Type	SCI		
CDS Bytes	150	Report Options	BOTH		
CDS Source	OAP	Spin State	DUAL	Scan Platform	Yes
			DMS		Yes
Observation Objective					
<p>156 degrees phase angle observation or the Great Red Spot. GRS centered at 84 degrees West longitude, 23 degrees South latitude. Jupiter imaged in 25 colors using NIMS downlink wavelength table JFT25A.</p>					
Data Returned					
Design Detail					
<p>Shortmap, Nyquist sample observation of approximately 0.5 X 1 (5 X 10 mrad) area centered on GRS near 84 degrees West longitude, 23 degrees South planetographic latitude. NIMS IFOV (NIMSEL) = 3575 KM. Spacecraft distance 7.15 million KM. About 50 seconds of scanning, accumulating 0.080 MBTG in 25 colors, and using 0.00168 tracks. Three RIMS reserved for targetting. Observation occurs during the first SSI off-earthline turn.</p>					
Short Map (SM), Gain 2, Grating Start 1, LPU, C9JFT68C, C9JFT68C					
Galileo Activity Plan Form			06/09/97	10:29:49	rev 6/95



C9JNSOU15601

165LL:TT= 0 TMC= 1 C= 3.00 XC= 0.00 BS= 0/7398 TC= 1(-45 84)
 A= 728 pD= 0 SR=17.450 RA50=163.75 DEC50= 6.56 cone= 91.85 clock= 81.74
 117LL:#SB= 1 OR= 0.100 RR=12.000 BM=F RC= 1 BS= 0/7398
 1:#s= 1 Cs= -6.00 XCs= 0.00 Cr= 0.00 XCr= 0.00 sD= 182 rD= 2

DESIGN G3.1 jmart: 6/12/1997 11:30:53

FILE:P.C9JNSOU15601

CENTRAL BODY:JUPITER III

MINI:m.C9JNSOU15601

S/C EPH:/DATA/NAVIO/T-970513-tour.NS

PERIAPSIS:

THINNING:NIM 2

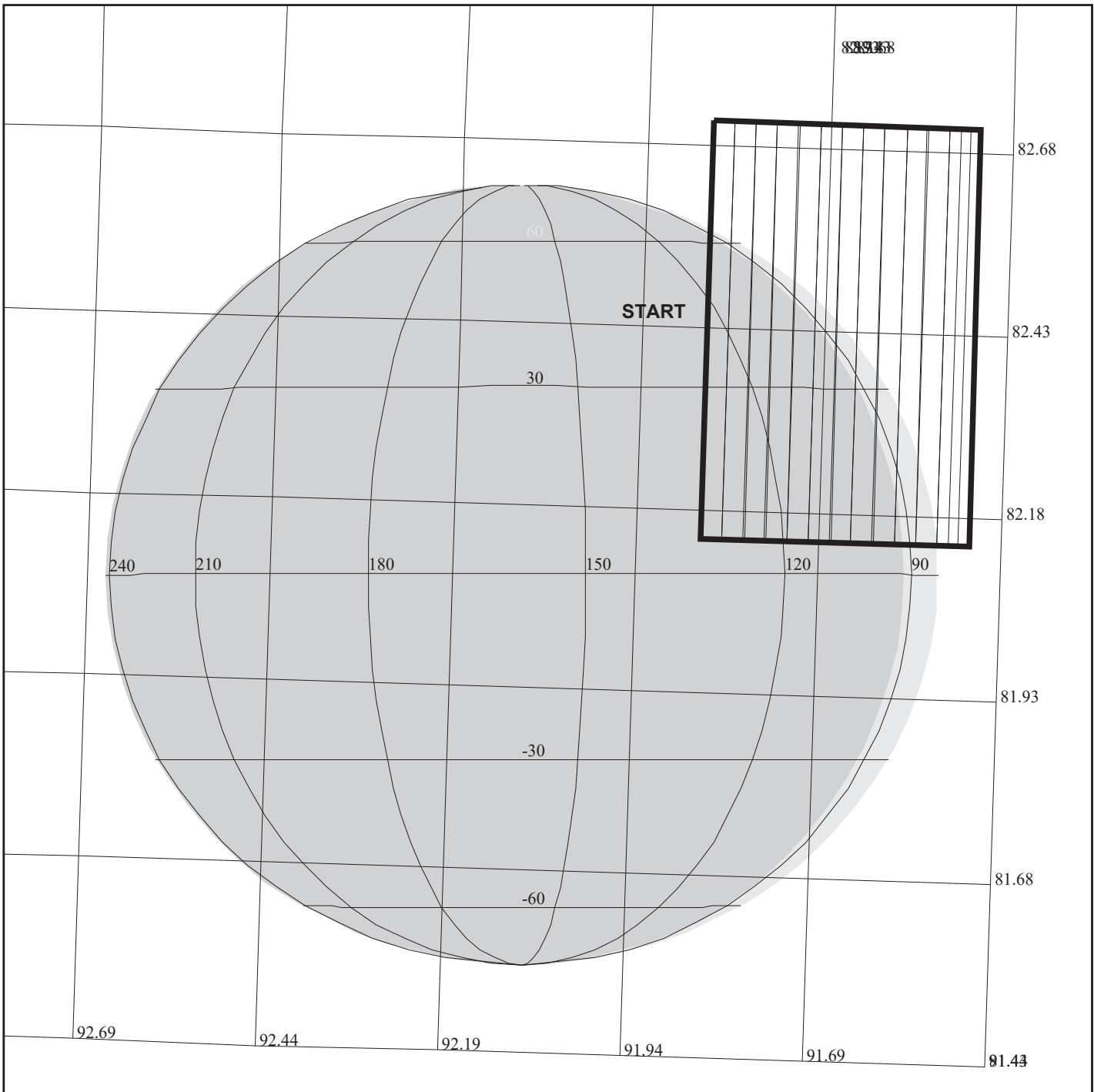
START:HPA 97-246/00:00:38.733 +CDS 1317:00:0

BODY PLOT TIME:TARGET-TIME D= 0 S= 0.800

OBSERVATION:C9JNSOU15601

DESCRIP:Jupiter_Southern_Hemisphere_156_

Jupiter Southern Hemisphere 156 Degrees		ACTIVITY ID:	C9JNSOU15601-		
		START TIME:	97-246/22:08:04.066		
Activity ID: Orbit C9 Target J Inst N OAPEL SOU156 SeqNo 01 -					
Title	Jupiter Southern Hemisphere 156 Degrees Instrument				NIMS
Requestor	NIMS-AWG/K. BAINES		Team	NIMS Working Group	AWG
Time System	CDS	Load ID	Calendar Date	09/03/97	Week 36
Start	HPA+CDS	00001312:76:0	97-246/22:08:04.066	HPA+000/22:07:25.333	
End	HPA+CDS	00001318:00:0	97-246/22:13:17.399	HPA+000/22:12:38.666	
Duration		00000005:15:0	000/00:05:13.333	000/00:05:13.333	
Top Label	C9JNSOU15601-				
Bottom Label					
Plot Key	NIMS	Type	SCI		
CDS Bytes	150	Report Options	BOTH	Scan Platform	Yes
CDS Source	OAP	Spin State	DUAL	DMS	Yes
Observation Objective					
<p>156 degrees phase angle observation of the Southern Hemisphere centered at 84 degrees West longitude, 45 degrees South latitude. Jupiter imaged in 25 colors using NIMS downlink wavelength table JFT25A.</p>					
Data Returned					
Design Detail					
<p>Short map, Nyquist sample observation of approximately 0.5 X 1 (5 X 10 mrad) area centered near 84 degrees West longitude, 45 degrees South latitude. NIMS IFOV (NIMSel) = 3575 KM. About 50 seconds of scanning, accumulating 0.080 MBTG in 25 colors, and using 0.00168 tracks. Three RIMS reserved for targetting. Observation occurs during the first SSI off-earthline turn.</p>					
Short Map (SM), Gain 2, Grating Start 1, LPU, C9JFT68C, C9JFT68C					
Galileo Activity Plan Form			06/09/97	10:29:49	rev 6/95



C9JNNOR15601

165LM:TT= 0 TMC=1 C= 3.00 XC= 0.00 BS= 0/8490 TC= 1(40 84)
 A= 728 pD= 0 SR=17.450 RA50=164.01 DEC50= 7.20 cone= 91.84 clock= 82.43
 117LM:#SB= 1 OR= 0.100 RR=12.000 BM=F RC= 1 BS= 0/8490
 1:#s= 1 Cs= -6.00 XCs= 0.00 Cr= 0.00 XCr= 0.00 sD= 182 rD= 2

DESIGN G3.1 jmart: 6/12/1997 11:29: 5

FILE:P.C9JNNOR15601

CENTRAL BODY:JUPITER III

MINI:m.C9JNNOR15601

S/C EPH:/DATA/NAVIO/T-970513-tour.NS

PERIAPSIS:

THINNING:NIM 2

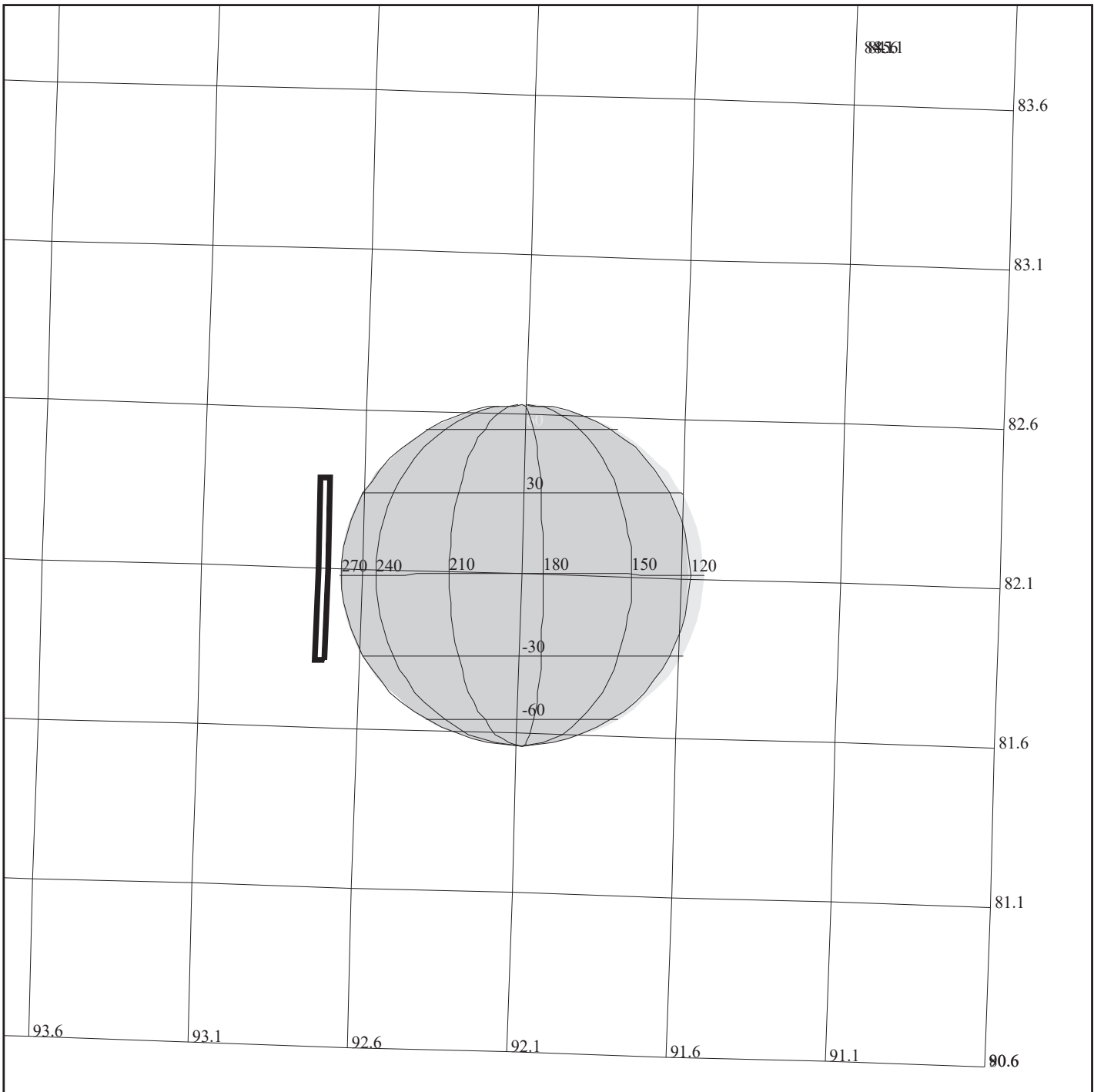
START:HPA 97-246/00:00:38.733 +CDS 1323:00:0

BODY PLOT TIME:TARGET-TIME D= 0 S= 0.800

OBSERVATION:C9JNNOR15601

DESCRIP:Jupiter_Northern_Hemisphere_156_

Jupiter Northern Hemisphere 156 Degrees		ACTIVITY ID:	C9JNNOR15601-		
		START TIME:	97-246/22:14:08.066		
Activity ID: Orbit C9 Target J Inst N OAPEL NOR156 SeqNo 01 -					
Title	Jupiter Northern Hemisphere 156 Degrees Instrument			NIMS	
Requestor	NIMS-AWG/K. BAINES Team NIMS Working Group			AWG	
Time System	CDS	Load ID	Calendar Date	09/03/97	Week 36
Start	HPA+CDS 00001318:76:0		97-246/22:14:08.066	HPA+000/22:13:29.333	
End	HPA+CDS 00001324:00:0		97-246/22:19:21.399	HPA+000/22:18:42.666	
Duration	00000005:15:0		000/00:05:13.333	000/00:05:13.333	
Top Label	C9JNNOR15601-				
Bottom Label					
Plot Key	NIMS	Type	SCI		
CDS Bytes	150	Report Options	BOTH	Scan Platform	Yes
CDS Source	OAP	Spin State	DUAL	DMS	Yes
Observation Objective					
<p>156 degrees phase angle observation of the Northern Hemisphere observation centered near 84 degrees West longitude, 40 degrees North latitude. Jupiter imaged in 25 colors, using NIMS downlink wavelength table JFT25A.</p>					
Data Returned					
Design Detail					
<p>Short map, Nyquist sample observation of approximately 0.5 X 1 (5 X 10 mrad) area centered on GRS near 84 degrees West longitude, 40 degrees North planetographic latitude. NIMS IFOV (NIMSel) = 3575 KM. About 50 seconds of scanning, accumulating 0.080 MBTG in 25 colors, and using 0.00168 tracks. Three RIMS reserved for targetting. Observation occurs during the first SSI off-earthline turn.</p>					
Short Map (SM), Gain 2, Grating Start 1, LPU, C9JFT68C, C9JFT68C					
Galileo Activity Plan Form			06/09/97	10:29:49	rev 6/95



165DZ:TT= 0 TMC= 1 C= 11.00 XC= 0.00 BS= 0/6862 TC= 9
 A= 728 pD= 0 SR=17.450 RA50=164.74 DEC50= 6.52 cone= 92.76 clock= 82.09

C9RNMRING_01

TARGET G3.1 jmart: 6/11/1997 14:29:54

FILE:P.C9RNMRING_01

CENTRAL BODY:JUPITER

MINI:m.target

S/C EPH:/DATA/NAVIO/T-970513-tour.NS

PERIAPSIS:

START:HPA 97-246/00:00:38.733 +CDS 1369:00:0

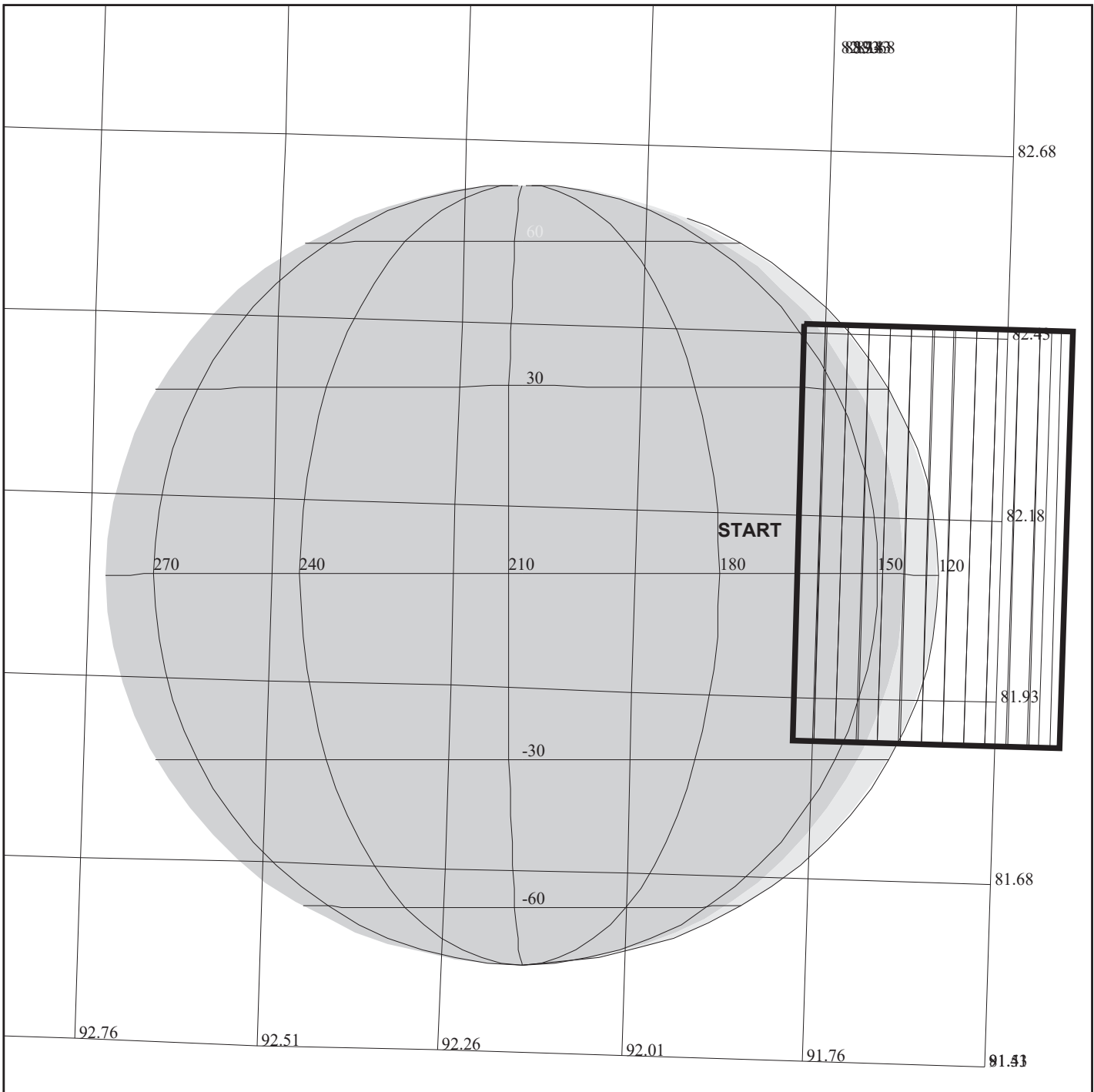
OBSERVATION:C9RNMRING_01

THINNING:NIM 2

BODY PLOT TIME:TARGET-TIME D= 0 S= 0.350

DESCRIP:Sit and Stare Ring Obs

Sit and Stare Ring Observation		ACTIVITY ID:	C9RNMRING_01-		
		START TIME:	97-246/22:59:48.066		
Activity ID: Orbit C9 Target R Inst N OAPEL MRING_ SeqNo 01 -					
Title	Sit and Stare Ring Observation	Instrument	NIMS		
Requestor	NIMS-SWG/J. Hui	Team	NIMS Working Group	SWG	
Time System	CDS	Load ID	Calendar Date	09/03/97	Week 36
Start	HPA+CDS 00001364:00:0	97-246/22:59:48.066	HPA+000/22:59:09.333		
End	HPA+CDS 00001373:00:0	97-246/23:08:54.066	HPA+000/23:08:15.333		
Duration	00000009:00:0	000/00:09:06.000	000/00:09:06.000		
Top Label	C9RNMRING_01-				
Bottom Label					
Plot Key	NIMS	Type	SCI		
CDS Bytes	150	Report Options	BOTH	Scan Platform	Yes
CDS Source	OAP	Spin State	DUAL	DMS	Yes
Observation Objective					
To study Jupiter's Ring system, i.e., particle size and composition.					
This NIMS ring observation is different from previous NIMS ring observations. This observation 'stares' at the same spot for 4 Rims.					
Observations is earlier orbits scanned along the ring in map mode.					
The objective is to add the spectra to increase the signal-to-noise ratio.					
Data Returned					
Design Detail					
Target 4 RIMS					
Target to ring plane and stare for four RIMS.					
- Recorded at LPU for 4 RIMS.					
- FM					
- Gain State = 4					
- Chopper Reference					
- Grating Offset = 0					
Full Map (FM), Gain 4, Grating Start 0, LPU, C9RFM126B, C9RFM126B					
Galileo Activity Plan Form			06/09/97	10:29:49	rev 6/95



C9JNFEA15601

165LO:TT= 0 TMC= 1 C= 3.00 XC= 0.00 BS= 0/3232 TC= 1(6 129)
 A= 728 pD= 0 SR=17.450 RA50=163.85 DEC50= 6.97 cone= 91.78 clock= 82.16
 117LO:#SB= 1 OR= 0.100 RR=12.000 BM=F RC= 1 BS= 0/3232
 1:#s= 1 Cs= -6.00 XCs= 0.00 Cr= 0.00 XCr= 0.00 sD= 182 rD= 2

DESIGN G3.1 jmart: 6/12/1997 11:32:48

FILE:P.C9JNFEA15601

CENTRAL BODY:JUPITER III

MINI:m.C9JNFEA15601

S/C EPH:/DATA/NAVIO/T-970513-tour.NS

PERIAPSIS:

THINNING:NIM 2

START:HPA 97-246/00:00:38.733 +CDS 1404:00:0

BODY PLOT TIME:TARGET-TIME D= 0 S= 0.800

OBSERVATION:C9JNFEA15601

DESCRIP:Jupiter_Feature_156_Deg_Phase

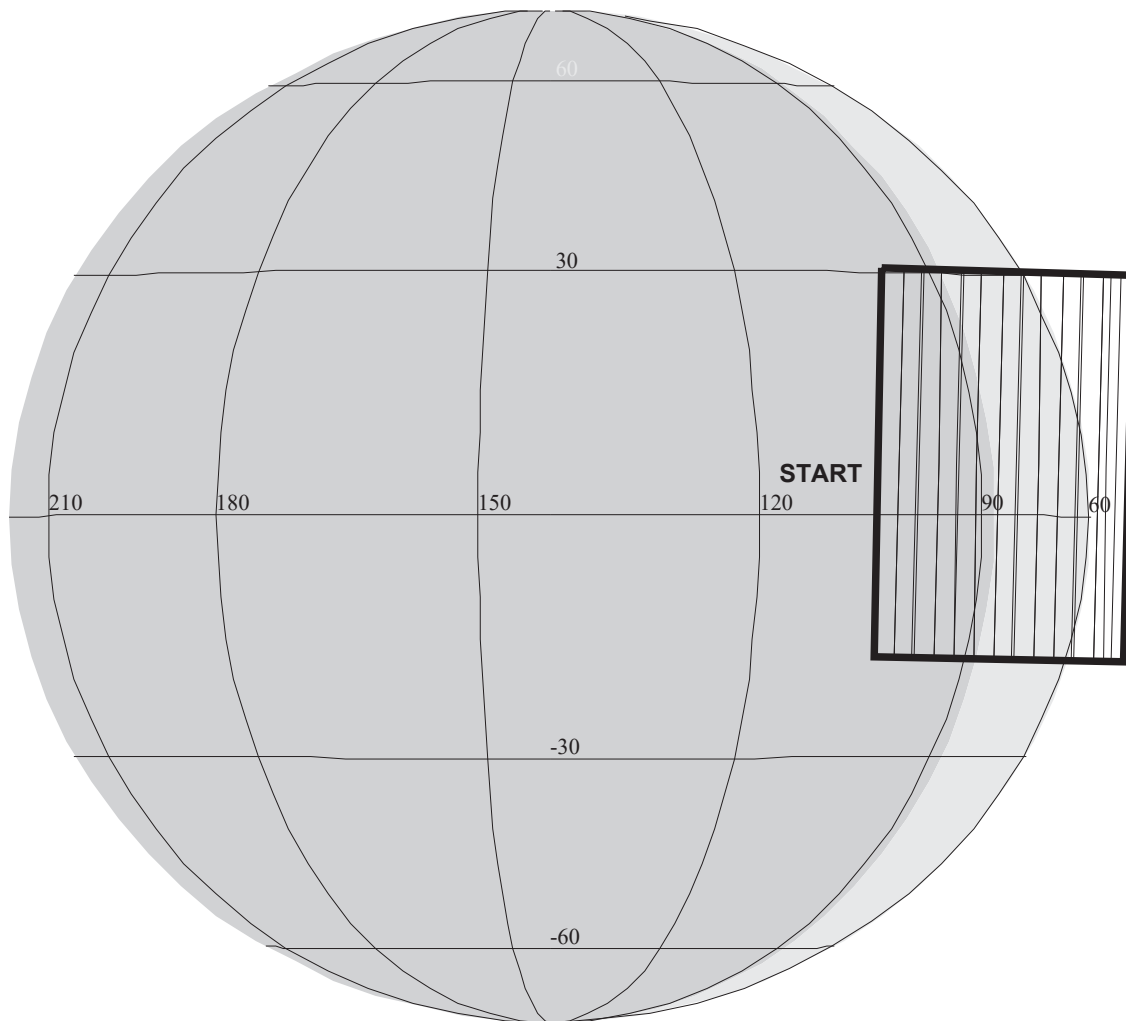
Jupiter Feature 156 Degrees Phase		ACTIVITY ID:	C9JNFEA15601-		
		START TIME:	97-246/23:35:11.399		
Activity ID: Orbit C9 Target J Inst N OAPEL FEA156 SeqNo 01 -					
Title	Jupiter Feature 156 Degrees Phase		Instrument		NIMS
Requestor	NIMS-AWG/K. BAINES		Team	NIMS Working Group	AWG
Time System	CDS	Load ID	Calendar Date	09/03/97	Week 36
Start	HPA+CDS 00001399:00:0		97-246/23:35:11.399	HPA+000/23:34:32.666	
End	HPA+CDS 00001405:00:0		97-246/23:41:15.399	HPA+000/23:40:36.666	
Duration	00000006:00:0		000/00:06:04.000	000/00:06:04.000	
Top Label	C9JNFEA15601-				
Bottom Label					
Plot Key	NIMS	Type	SCI		
CDS Bytes	150	Report Options	BOTH		
CDS Source	OAP	Spin State	DUAL	Scan Platform	Yes
			DMS		Yes
Observation Objective					
<p>156 degrees phase angle observation of the Hotspot/plume feature. Feature centered at 129 degrees West longitude, 6 degrees North latitude. Jupiter imaged in 25 colors, using NIMS downlink wavelength table JFT25A.</p>					
Data Returned					
Design Detail					
<p>Shortmap, Nyquist sample 156 degree phase angle observation of 0.5 X 1 (5 X 10 mrad) area centered on the bright limb near 129 degrees West longitude, 6 degrees North planetographic latitude. Spacecraft distance 7.15 million KM. NIMS IFOV (NIMSel) = 3575 km. About 50 seconds of scanning accumulating 0.080 MBTG in 25 colors, and using 0.00168 tracks. 4 RIMS reserved for targetting. Observation occurs during the second SSI off-earthline turn.</p>					
Short Map (SM), Gain 2, Grating Start 1, LPU, C9JFT68C, C9JFT68C					
Galileo Activity Plan Form			06/09/97	10:29:49	rev 6/95

NIMS Chopper Off		ACTIVITY ID: C9NNCHOPOF04-	
		START TIME: 97-246/23:41:56.066	
Activity ID: Orbit C9 Target N Inst N OAPEL CHOPOF SeqNo 04 -			
Title	NIMS Chopper Off		Instrument
Requestor	NIMS-AWG/K. BAINES		NIMS AWG
	Team	NIMS	Working Group
Time System	CDS	Load ID	Calendar Date 09/03/97 Week 36
Start	HPA+CDS 00001405:61:0		97-246/23:41:56.066 HPA+000/23:41:17.333
End	HPA+CDS 00001416:00:0		97-246/23:52:22.733 HPA+000/23:51:44.000
Duration	00000010:30:0		000/00:10:26.667 000/00:10:26.667
Top Label	C9NNCHOPOF04-		
Bottom Label			
Plot Key	NIMS	Type	SCI
CDS Bytes	50	Report Options	BOTH
CDS Source	OAP	Spin State	DUAL
		Scan Platform	No
		DMS	No
Observation Objective			
To preserve the NIMS chopper life.			
Design Detail			
Use a NIMSTAB PA to reset wavelength table with parameters 04,C4,02,00,00 and to issue a 37IOP,0,0 to put NIMS in safe.			
Then:			
Use two NIMS 37IST commands to turn chopper off:			
37IST,0,1,0,0,OFF,0,0,0 (Change Chopper Ref to 63Hz)			
37IST,0,1,1,0,OFF,0,0,0 (Change Chopper 63Hz to OFF)			
Also use a NIMS 37MB command to reset the mirror positions:			
37MB,0,0,0,0,0,0,0 (00000,00000)			
Galileo Activity Plan Form		06/09/97 10:29:49 rev 6/95	

NIMS Chopper On		ACTIVITY ID: C9NNCHOPON05-	
		START TIME: 97-253/11:45:08.999	
Activity ID: Orbit C9 Target N Inst N OAPEL CHOPON SeqNo 05 -			
Title	NIMS Chopper On	Instrument	
Requestor	NIMS-AWG/K. BAINES	Team	NIMS Working Group
			NIMS AWG
Time System	CDS	Load ID	Calendar Date 09/10/97 Week 37
Start	HPB+CDS 00000697:00:0	97-253/11:45:08.999	HPB+000/11:44:44.666
End	HPB+CDS 00000707:00:0	97-253/11:55:15.666	HPB+000/11:54:51.333
Duration	00000010:00:0	000/00:10:06.667	000/00:10:06.667
Top Label	C9NNCHOPON05-		
Bottom Label			
Plot Key	NIMS	Type	SCI
CDS Bytes	50	Report Options	BOTH
CDS Source	OAP	Spin State	DUAL
			Scan Platform
			DMS
			No
			No
Observation Objective			
<p>Configure the NIMS instrument for orbit C9 data taking. Turn the chopper on to Reference. This orbit includes observations of Jupiter, Io, Callisto, Europa, Ganymede and the main ring.</p>			
Design Detail			
Use NIMSINIT with the following commands.			
37IST,1,0,0,OFF,0,0,0;	Chopper 63 Hz		
37IST,1,2,0,OFF,0,0,0;	Chopper Ref		
37MB,0,0,0,0,0'	No Mirror Blocking		
Galileo Activity Plan Form		06/09/97 10:29:49	rev 6/95

This page BLANK

NIMS OPCAL		ACTIVITY ID: C9NNOPCAL_01-	
		START TIME: 97-253/12:04:21.666	
Activity ID: Orbit C9 Target N Inst N OAPEL OPCAL_ SeqNo 01 -			
Title	NIMS OPCAL	Instrument	NIMS
Requestor	NIMS-SWG/J. HUI	Team NIMS Working Group	SWG
Time System	CDS	Load ID	Calendar Date 09/10/97 Week 37
Start	HPB+CDS 00000716:00:0	97-253/12:04:21.666	HPB+000/12:03:57.333
End	HPB+CDS 00000739:00:0	97-253/12:27:36.999	HPB+000/12:27:12.666
Duration	00000023:00:0	000/00:23:15.333	000/00:23:15.333
Top Label	C9NNOPCAL_01-		
Bottom Label			
Plot Key	NIMS	Type	SCI
CDS Bytes	200	Report Options	BOTH
CDS Source	OAP	Spin State	DUAL
		Scan Platform	No
		DMS	No
Observation Objective			
Perform NIMS Optical Calibration to calibrate the NIMS grating.			
Data Returned			
Design Detail			
Long Map, gain state 4.			
Mirror Block On (1B,1B) - central mirror positions only.			
Target Dark sky.			
Select NIMS Real Time			
Use 37IST to turn on OPCAL Lamp (two times).			
1 Rim OPCAL			
1 Rim Dark			
1 Rim OPCAL			
Long Map (LM), Gain 4, Grating Start 0, R/T, OPCAL48			
Galileo Activity Plan Form		06/09/97 10:29:49	rev 6/95



C9JNFEA14501

165LP:TT= 0 TMC= 1 C= 4.00 XC= 0.00 BS= 0/2201 TC= 1(6 78)
 A= 728 pD= 0 SR=17.450 RA50=174.32 DEC50= 2.10 cone= 90.81 clock= 84.50
 117LP:#SB= 1 OR= 0.100 RR=12.000 BM=F RC= 1 BS= 0/2201
 1:#s= 1 Cs= -6.00 XCs= 0.00 Cr= 0.00 XCr= 0.00 sD= 182 rD= 2

TARGET G3.1 jmart: 6/11/1997 14:29:54

FILE:P.C9JNFEA14501

CENTRAL BODY:JUPITER

MINI:m.target

S/C EPH:/DATA/NAVIO/T-970513-tour.NS

PERIAPSIS:

START:HPB 97-253/00:00:24.333 +CDS 770:00:0

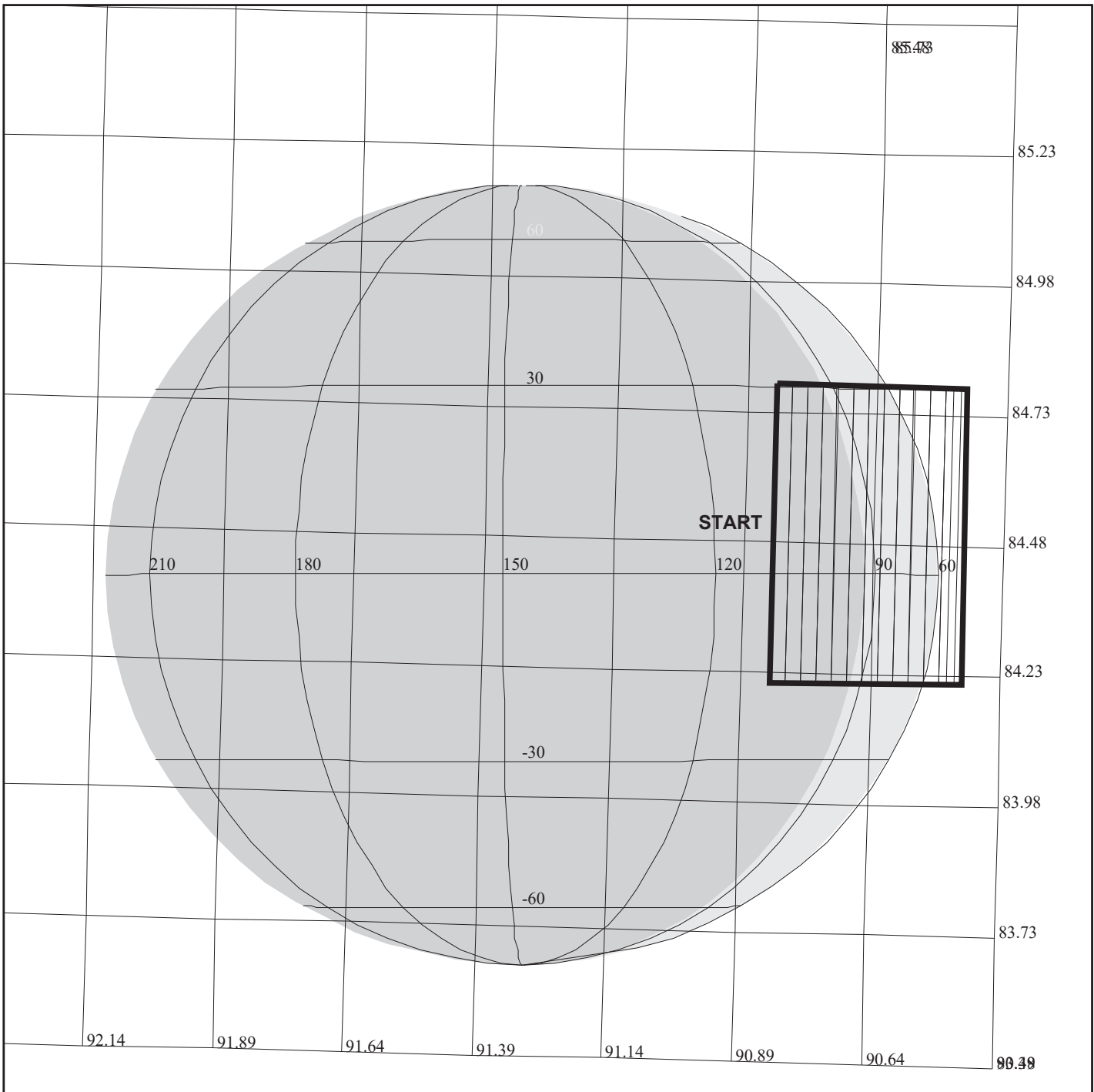
OBSERVATION:C9JNFEA14501

THINNING:NIM 2

BODY PLOT TIME:TARGET-TIME D= 0 S= 0.800

DESCRIP:Jupiter_Feature_145_Deg_Phase01

Jupiter Feature 145 Degrees Phase prt 1		ACTIVITY ID:	C9JNFEA14501-		
		START TIME:	97-253/12:53:54.333		
Activity ID: Orbit C9 Target J Inst N OAPEL FEA145 SeqNo 01 -					
Title	Jupiter Feature 145 Degrees Phase prt 1 Instrument				NIMS
Requestor	NIMS-AWG/K. BAINES		Team	NIMS Working Group	AWG
Time System	CDS	Load ID	Calendar Date	09/10/97	Week 37
Start	HPB+CDS	00000765:00:0	97-253/12:53:54.333	HPB+000/12:53:30.000	
End	HPB+CDS	00000771:00:0	97-253/12:59:58.333	HPB+000/12:59:34.000	
Duration		00000006:00:0	000/00:06:04.000	000/00:06:04.000	
Top Label	C9JNFEA14501-				
Bottom Label					
Plot Key	NIMS	Type	SCI		
CDS Bytes	150	Report Options	BOTH	Scan Platform	Yes
CDS Source	OAP	Spin State	DUAL	DMS	Yes
Observation Objective					
<p>145 degrees phase angle observation of the Hotspot/plume feature. Feature centered at 78 degrees West longitude, 6 degrees North latitude. Jupiter imaged in 25 colors, using NIMS downlink wavelength table JFT25A.</p>					
Data Returned					
Design Detail					
<p>First of three shortmap, Nyquist sample 145 degree phase angle observations of 0.5 X 1 (5 X 10 mrad) area centered on Hotspot/plume feature near 78 degrees West longitude, 6 degrees North planetographic latitude. Spacecraft distance 5.02 million KM, NIMS IFOV (NIMSel) = 2510 KM About 50 seconds of scanning, accumulating 0.080 MBTG in 25 colors, and using 0.00168 tracks. Four RIMS reserved for targetting. Observation occurs during the second SSI off-earthline turn.</p>					
Short Map (SM), Gain 2, Grating Start 1, LPU, C9JFT68C, C9JFT68C					
Galileo Activity Plan Form			06/09/97	10:29:49	rev 6/95



C9JNFEA14502

165LS:TT= 0 TMC= 1 C= 4.50 XC= 0.00 BS= 0/3657 TC= 1(6 78)
 A= 728 pD= 0 SR=17.450 RA50=174.33 DEC50= 2.09 cone= 90.82 clock= 84.50
 117LS:#SB= 1 OR= 0.100 RR=12.000 BM=F RC= 1 BS= 0/3657
 1:#s= 1 Cs= -6.00 XCs= 0.00 Cr= 0.00 XCr= 0.00 sD= 182 rD= 2

DESIGN G3.1 jmart: 6/12/1997 11:34:45

FILE:P.C9JNFEA14502

CENTRAL BODY:JUPITER III

MINI:m.C9JNFEA14502

S/C EPH:/DATA/NAVIO/T-970513-tour.NS

PERIAPSIS:

THINNING:NIM 2

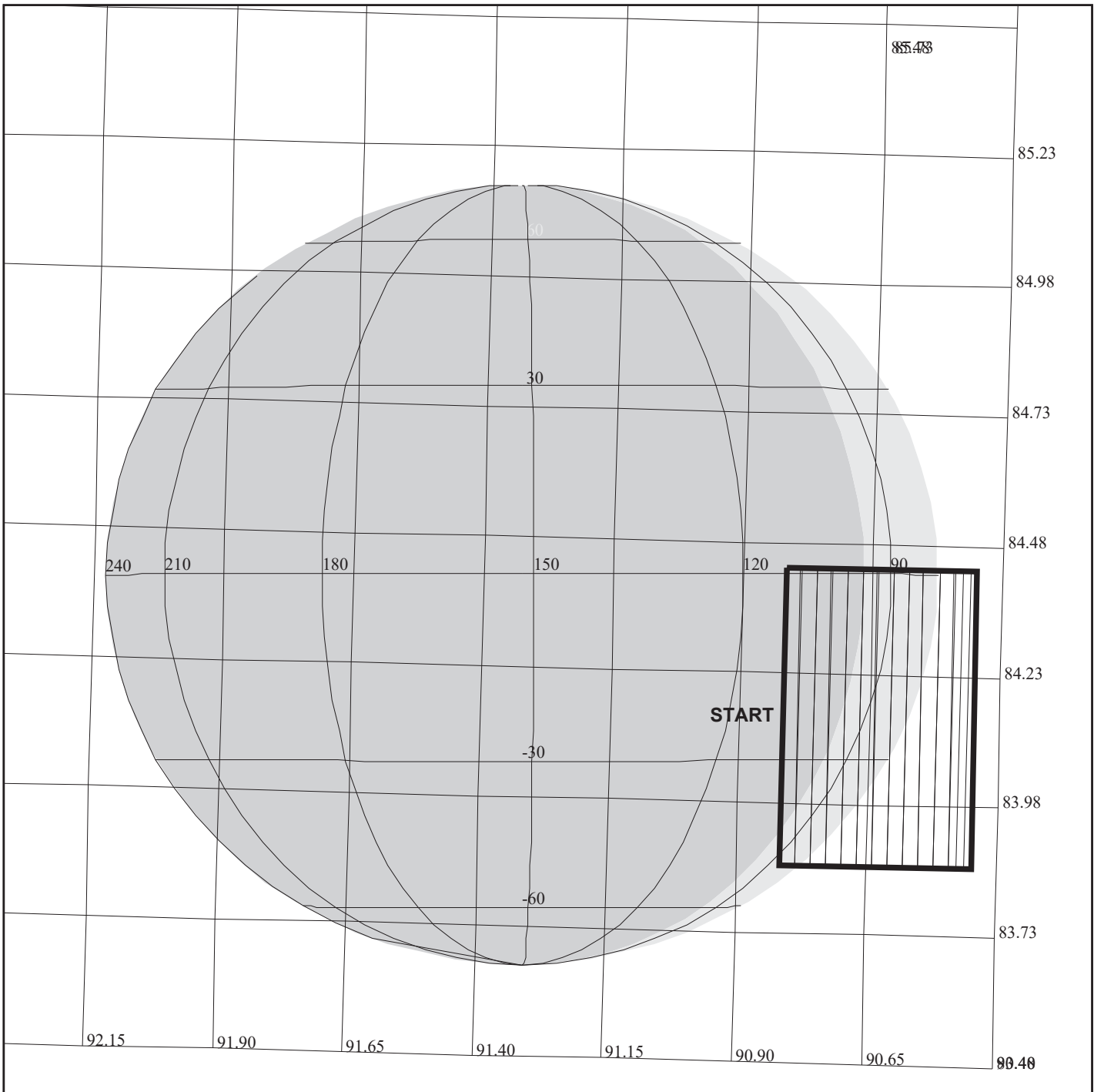
START:HPB 97-253/00:00:24.333 +CDS 778:00:0

BODY PLOT TIME:TARGET-TIME D= 0 S= 0.800

OBSERVATION:C9JNFEA14502

DESCRIP:Jupiter_Feature_145_Deg_Phase02

Jupiter Feature 145 Degrees Phase prt 2		ACTIVITY ID:	C9JNFEA14502-		
		START TIME:	97-253/13:01:59.666		
Activity ID: Orbit C9 Target J Inst N OAPEL FEA145 SeqNo 02 -					
Title	Jupiter Feature 145 Degrees Phase prt 2 Instrument				NIMS
Requestor	NIMS-AWG/K. BAINES		Team	NIMS Working Group	AWG
Time System	CDS	Load ID	Calendar Date	09/10/97	Week 37
Start	HPB+CDS	00000773:00:0	97-253/13:01:59.666	HPB+000/13:01:35.333	
End	HPB+CDS	00000779:00:0	97-253/13:08:03.666	HPB+000/13:07:39.333	
Duration		00000006:00:0	000/00:06:04.000	000/00:06:04.000	
Top Label	C9JNFEA14502-				
Bottom Label					
Plot Key	NIMS	Type	SCI		
CDS Bytes	150	Report Options	BOTH	Scan Platform	Yes
CDS Source	OAP	Spin State	DUAL	DMS	Yes
Observation Objective					
<p>145 degrees phase angle observation of the Hotspot/plume feature. Feature centered at 78 degrees West longitude, 6 degrees North latitude. Jupiter imaged in 25 colors, using NIMS downlink wavelength table JFT25A.</p>					
Data Returned					
Design Detail					
<p>Second of three shortmap, Nyquist sample, 145 degree phase angle observation of 0.5 X 1 (5 X 10 mrad) area centered on Hotspot/plume feature near 78 degrees West longitude, 6 degrees North planetographic latitude. Spacecraft distance 5.02 million KM, NIMS IFOV (NIMSel) = 2510 KM About 50 seconds of scanning, accumulating 0.160 MBTG in 25 colors, and using 0.00168 tracks. Four RIMS reserved for targetting. Observation occurs during the second SSI off-earthline turn.</p>					
Short Map (SM), Gain 2, Grating Start 1, LPU, C9JFT68C, C9JFT68C					
Galileo Activity Plan Form			06/09/97	10:29:50	rev 6/95



C9JNGRS14501

165FB:TT= 0 TMC= 1 C= 3.00 XC= 0.00 BS= 0/4931 TC= 1(-23 86)
 A= 728 pD= 0 SR=17.450 RA50=174.18 DEC50= 1.78 cone= 90.81 clock= 84.14
 117FB:#SB= 1 OR= 0.100 RR=12.000 BM=F RC= 1 BS= 0/4931
 1:#s= 1 Cs= -6.00 XCs= 0.00 Cr= 0.00 XCr= 0.00 sD= 182 rD= 2

DESIGN G3.1 jmart: 6/12/1997 11:31:54

FILE:P.C9JNGRS14501

CENTRAL BODY:JUPITER III

MINI:m.C9JNGRS14501

S/C EPH:/DATA/NAVIO/T-970513-tour.NS

PERIAPSIS:

START:HPB 97-253/00:00:24.333 +CDS 785:00:0

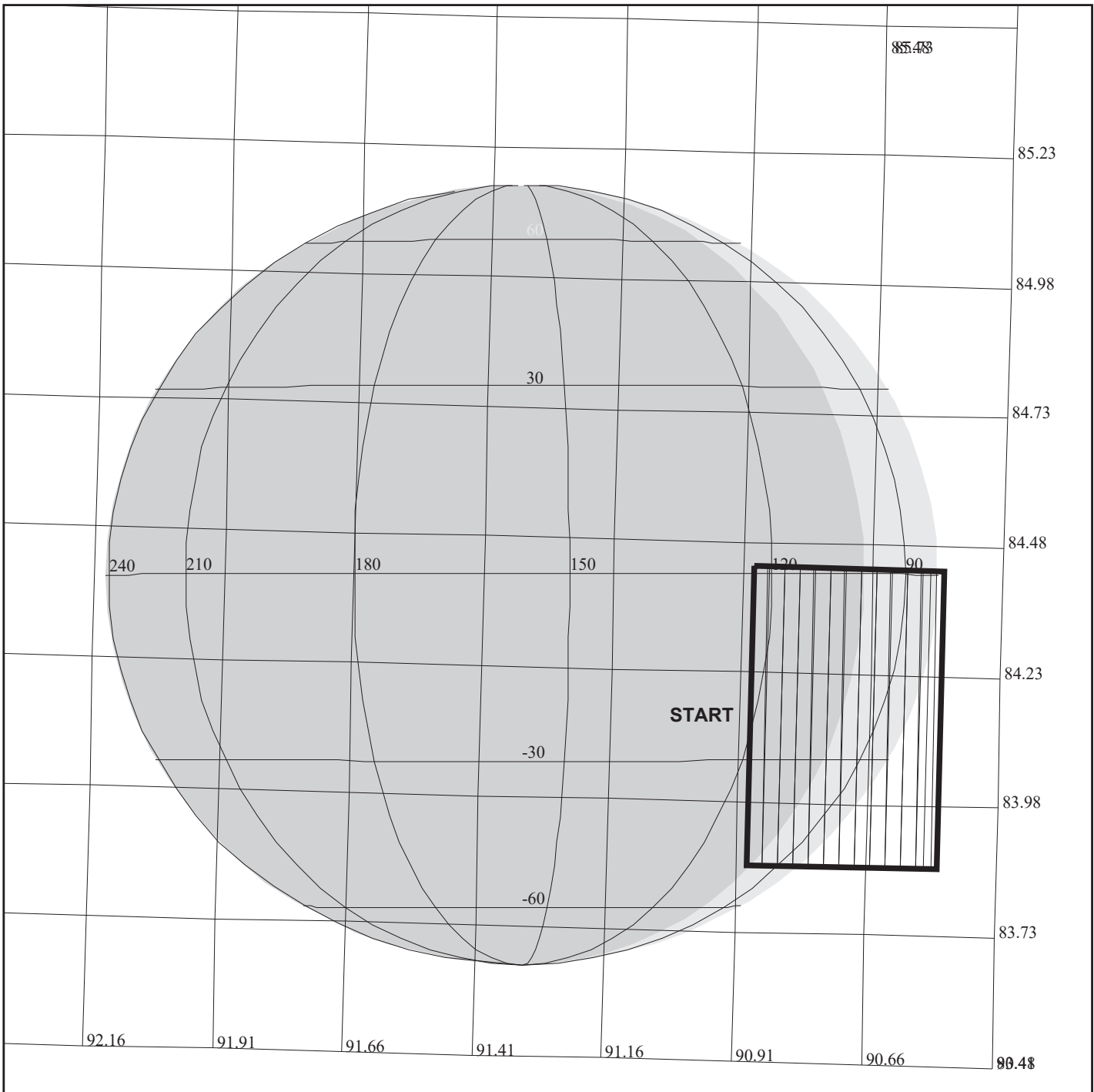
OBSERVATION:C9JNGRS14501

THINNING:NIM 2

BODY PLOT TIME:TARGET-TIME D= 0 S= 0.800

DESCRIP:Jupiter_GRS_145_Degree_Phase01

Jupiter GRS 145 Degree Phase prt 1		ACTIVITY ID:	C9JNGRS14501-		
		START TIME:	97-253/13:09:04.333		
Activity ID: Orbit C9 Target J Inst N OAPEL GRS145 SeqNo 01 -					
Title	Jupiter GRS 145 Degree Phase prt 1		Instrument		NIMS
Requestor	NIMS-AWG/K. BAINES		Team	NIMS Working Group	AWG
Time System	CDS	Load ID	Calendar Date	09/10/97	Week 37
Start	HPB+CDS	00000780:00:0	97-253/13:09:04.333	HPB+000/13:08:40.000	
End	HPB+CDS	00000786:00:0	97-253/13:15:08.333	HPB+000/13:14:44.000	
Duration		00000006:00:0	000/00:06:04.000	000/00:06:04.000	
Top Label	C9JNGRS14503-				
Bottom Label					
Plot Key	NIMS	Type	SCI		
CDS Bytes	150	Report Options	BOTH		
CDS Source	OAP	Spin State	DUAL	Scan Platform	Yes
			DMS		Yes
Observation Objective					
<p>First of two 145 degree phase angle observation of the Great Red Spot. GRS centered at 86 degrees West longitude, 23 degrees South latitude. Jupiter imaged in 25 colors, using NIMS downlink wavelength table JFT25A.</p>					
Data Returned					
Design Detail					
<p>Shortmap, Nyquist sample observation of approximately 0.5 X 1 (5 X 10 mrad) area centered on GRS on the bright limb near 86 degrees West longitude, 23 degrees South planetographic latitude. Spacecraft distance 5.02 million KM, NIMS IFOV (NIMSel) = 2510 KM. About 50 seconds of scanning, accumulating 0.080 MBTG in 25 colors, and using 0.00168 tracks. Four RIMS reserved for targetting. Observation occurs during the second SSI off-earthline turn.</p>					
Short Map (SM), Gain 2, Grating Start 1, LPU, C9JFT68C, C9JFT68C					
Galileo Activity Plan Form			06/09/97	10:29:50	rev 6/95



C9JNGRS14502

165LU:TT= 0 TMC= 1 C= 4.50 XC= 0.00 BS= 0/6387 TC= 1(-23 86)
 A= 728 pD= 0 SR=17.450 RA50=174.25 DEC50= 1.75 cone= 90.89 clock= 84.14
 117LU:#SB= 1 OR= 0.100 RR=12.000 BM=F RC= 1 BS= 0/6387
 1:#s= 1 Cs= -6.00 XCs= 0.00 Cr= 0.00 XCr= 0.00 sD= 182 rD= 2

DESIGN G3.1 jmart: 6/12/1997 11:26:15

FILE:P.C9JNGRS14502

CENTRAL BODY:JUPITER III

MINI:m.C9JNGRS14502

S/C EPH:/DATA/NAVIO/T-970513-tour.NS

PERIAPSIS:

THINNING:NIM 2

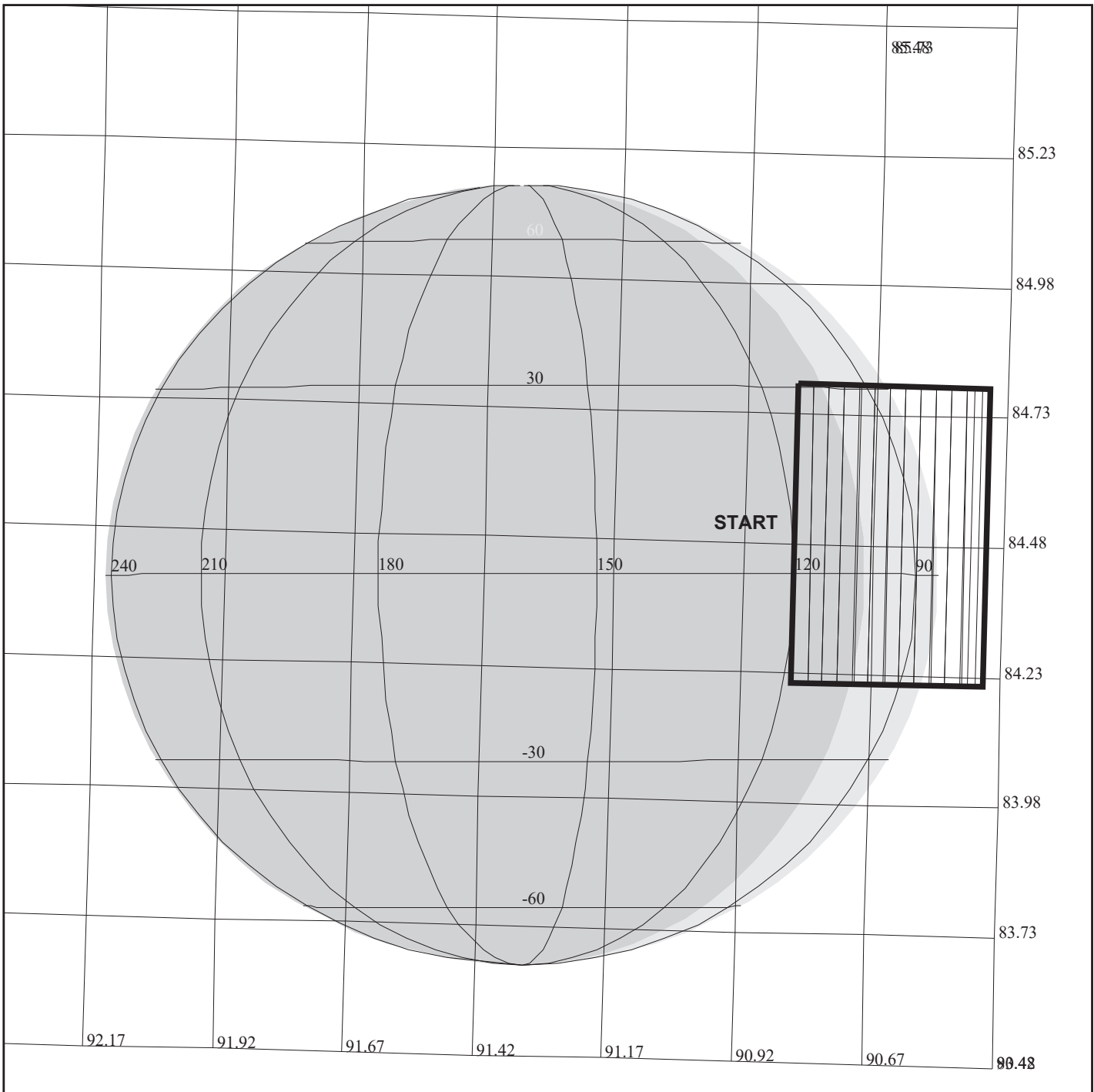
START:HPB 97-253/00:00:24.333 +CDS 793:00:0

BODY PLOT TIME:TARGET-TIME D= 0 S= 0.800

OBSERVATION:C9JNGRS14502

DESCRIP:Jupiter_GRS_145_Degree_Phase02

Jupiter GRS 145 Degrees Phase prt 2		ACTIVITY ID:	C9JNGRS14502-		
		START TIME:	97-253/13:17:09.666		
Activity ID: Orbit C9 Target J Inst N OAPEL GRS145 SeqNo 02 -					
Title	Jupiter GRS 145 Degrees Phase prt 2		Instrument	NIMS	
Requestor	NIMS-AWG/K. BAINES		Team	NIMS Working Group	AWG
Time System	CDS	Load ID	Calendar Date	09/10/97	Week 37
Start	HPB+CDS 00000788:00:0		97-253/13:17:09.666	HPB+000/13:16:45.333	
End	HPB+CDS 00000794:00:0		97-253/13:23:13.666	HPB+000/13:22:49.333	
Duration	00000006:00:0		000/00:06:04.000	000/00:06:04.000	
Top Label	C9JNGRS14502-				
Bottom Label					
Plot Key	NIMS	Type	SCI		
CDS Bytes	150	Report Options	BOTH		
CDS Source	OAP	Spin State	DUAL	Scan Platform	Yes
			DMS		Yes
Observation Objective					
<p>Second of two 145 degree phase angle observation of the Great Red Spot. GRS centered at 86 degrees West longitude, 23 degrees South latitude. Jupiter imaged in 25 colors, using NIMS downlink wavelength table JFT25A.</p>					
Data Returned					
Design Detail					
<p>Shortmap, Nyquist sample observation of approximately 0.5 X 1 (5 X 10 mrad) area centered on GRS on the bright limb near 86 degrees West longitude, 23 degrees South planetographic latitude. Spacecraft distance 5.02 million KM, NIMS IFOV (NIMSel) = 2510 KM. About 50 seconds of scanning, accumulating 0.080 MBTG in 25 colors, and using 0.00168 tracks. Four RIMS reserved for targetting. Observation occurs during the second SSI off-earthline turn.</p>					
Short Map (SM), Gain 2, Grating Start 1, LPU, C9JFT68C, C9JFT68C					
Galileo Activity Plan Form			06/09/97	10:29:50	rev 6/95



C9JNFEA14503

165MG:TT= 0 TMC= 1 C= 4.50 XC= 0.00 BS= 0/7479 TC= 1(6 78)
 A= 728 pD= 0 SR=17.450 RA50=174.33 DEC50= 2.09 cone= 90.82 clock= 84.50
 117MG:#SB= 1 OR= 0.100 RR=12.000 BM=F RC= 1 BS= 0/7479
 1:#s= 1 Cs= -6.00 XCs= 0.00 Cr= 0.00 XCr= 0.00 sD= 182 rD= 2

DESIGN G3.1 jmart: 6/12/1997 11:33:41

FILE:P.C9JNFEA14503

CENTRAL BODY:JUPITER III

MINI:m.C9JNFEA14503

S/C EPH:/DATA/NAVIO/T-970513-tour.NS

PERIAPSIS:

THINNING:NIM 2

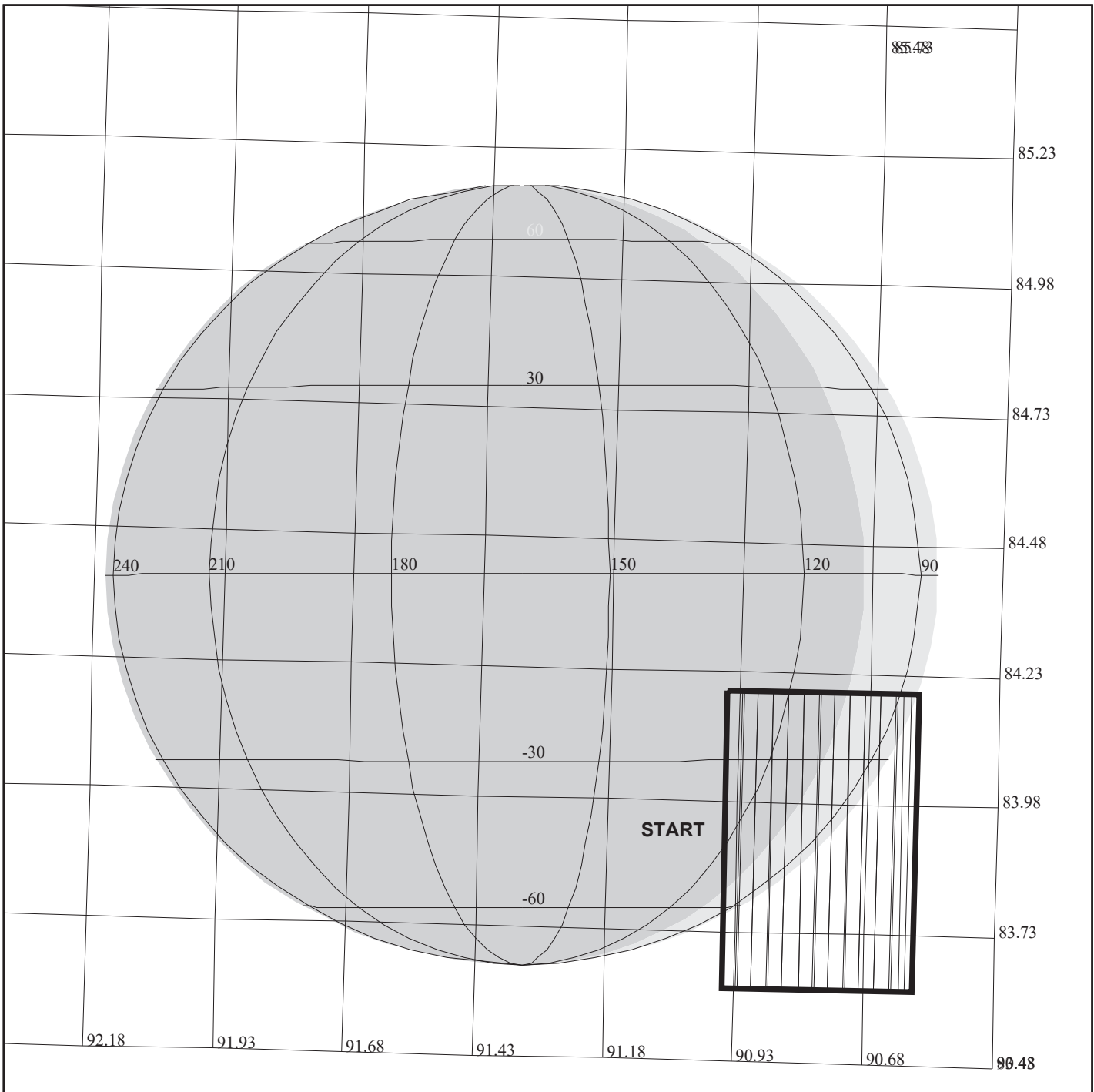
START:HPB 97-253/00:00:24.333 +CDS 799:00:0

BODY PLOT TIME:TARGET-TIME D= 0 S= 0.800

OBSERVATION:C9JNFEA14503

DESCRIP:Jupiter_Feature_145_Deg_Phase03

Jupiter Feature 145 Degrees Phase prt 3		ACTIVITY ID:	C9JNFEA14503-		
		START TIME:	97-253/13:24:04.333		
Activity ID: Orbit C9 Target J Inst N OAPEL FEA145 SeqNo 03 -					
Title	Jupiter Feature 145 Degrees Phase prt 3 Instrument				NIMS
Requestor	NIMS-AWG/K. BAINES		Team	NIMS Working Group	AWG
Time System	CDS	Load ID	Calendar Date	09/10/97	Week 37
Start	HPB+CDS	00000794:76:0	97-253/13:24:04.333	HPB+000/13:23:40.000	
End	HPB+CDS	00000800:00:0	97-253/13:29:17.666	HPB+000/13:28:53.333	
Duration		00000005:15:0	000/00:05:13.333	000/00:05:13.333	
Top Label	C9JNFEA14503-				
Bottom Label					
Plot Key	NIMS	Type	SCI		
CDS Bytes	150	Report Options	BOTH	Scan Platform	Yes
CDS Source	OAP	Spin State	DUAL	DMS	Yes
Observation Objective					
<p>145 degrees phase angle observation of the Hotspot/plume feature. Feature centered at 78 degrees West longitude, 6 degrees North latitude. Jupiter imaged in 25 colors, using NIMS downlink wavelength table JFT25A.</p>					
Data Returned					
Design Detail					
<p>Third of three shortmap, Nyquist sample, 145 degree phase angle observation of 0.5 X 1 (5 X 10 mrad) area centered on Hotspot/plume feature near 78 degrees West longitude, 6 degrees North planetographic latitude. Spacecraft distance 5.02 million KM, NIMS IFOV (NIMSel) = 2510 KM About 50 seconds of scanning, accumulating 0.160 MBTG in 25 colors, and using 0.00168 tracks. Three RIMS reserved for targetting. Observation occurs during the second SSI off-earthline turn.</p>					
Short Map (SM), Gain 2, Grating Start 1, LPU, C9JFT68C, C9JFT68C					
Galileo Activity Plan Form			06/09/97	10:29:50	rev 6/95



C9JNSOU14501

165MH:TT= 0 TMC=1 C= 3.00 XC= 0.00 BS= 0/8025 TC= 1(-45 86)
 A= 182 pD= 0 SR=17.450 RA50=174.21 DEC50= 1.50 cone= 90.95 clock= 83.91
 117MH:#SB= 1 OR= 0.100 RR=12.000 BM=F RC= 1 BS= 0/8025
 1:#s= 1 Cs= -6.00 XCs= 0.00 Cr= 0.00 XCr= 0.00 sD= 182 rD= 2

DESIGN G3.1 jmart: 6/12/1997 11:30:12

FILE:P.C9JNSOU14501

CENTRAL BODY:JUPITER III

MINI:m.C9JNSOU14501

S/C EPH:/DATA/NAVIO/T-970513-tour.NS

PERIAPSIS:

THINNING:NIM 2

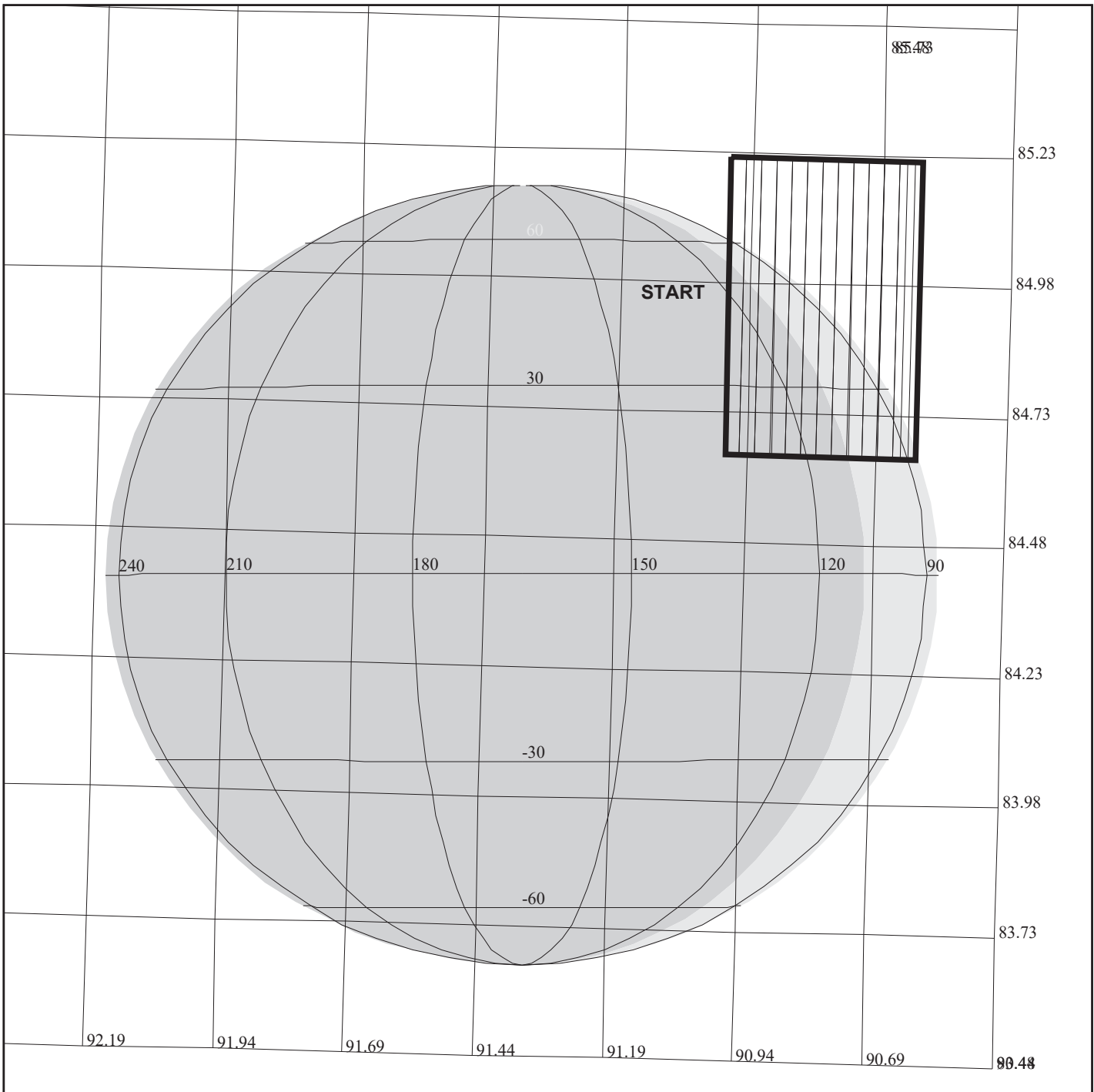
START:HPB 97-253/00:00:24.333 +CDS 802:00:0

BODY PLOT TIME:TARGET-TIME D= 0 S= 0.800

OBSERVATION:C9JNSOU14501

DESCRIP:Jupiter_Southern_Hemisphere_145_

Jupiter South Hemisphere 145 Deg Phase		ACTIVITY ID:	C9JNSOU14501-		
		START TIME:	97-253/13:29:17.666		
Activity ID: Orbit C9 Target J Inst N OAPEL SOU145 SeqNo 01 -					
Title	Jupiter South Hemisphere 145 Deg Phase		Instrument	NIMS	
Requestor	NIMS-AWG/K. BAINES		Team	NIMS Working Group	AWG
Time System	CDS	Load ID	Calendar Date	09/10/97	Week 37
Start	HPB+CDS	00000800:00:0	97-253/13:29:17.666	HPB+000/13:28:53.333	
End	HPB+CDS	00000804:00:0	97-253/13:33:20.333	HPB+000/13:32:56.000	
Duration		00000004:00:0	000/00:04:02.667	000/00:04:02.667	
Top Label	C9JNSOU14501-				
Bottom Label					
Plot Key	NIMS	Type	SCI		
CDS Bytes	150	Report Options	BOTH	Scan Platform	Yes
CDS Source	OAP	Spin State	DUAL	DMS	Yes
Observation Objective					
<p>145 degrees phase angle observation of the Southern Hemisphere. Observation centered at 86 degrees West longitude, 45 degrees South latitude. Jupiter imaged in 25 colors, using NIMS downlink wavelength table JFT25A.</p>					
Data Returned					
Design Detail					
<p>Shortmap, Nyquist sample, observation of approximately 0.5 X 1 (5 X 10 mrad) area centered on bright limb of the Southern Hemisphere near 86 degrees West longitude, 45 degrees South planetographic latitude. Spacecraft distance 5.02 million KM, NIMS IFOV (NIMSel) = 2510 KM. About 50 seconds of scanning, accumulating 0.080 MBTG in 25 colors, and using 0.00336 tracks. Three RIMS reserved for targetting. Observation occurs during the second SSI off-earthline turn.</p>					
Short Map (SM), Gain 2, Grating Start 1, LPU, C9JFT68C, C9JFT68C					
Galileo Activity Plan Form			06/09/97	10:29:50	rev 6/95



C9JNNOR14501

165LZ:TT= 0 TMC= 1 C= 3.00 XC= 0.00 BS= 0/8935 TC= 1(45 86)
 A= 520 pD= 0 SR=17.450 RA50=174.65 DEC50= 2.43 cone= 90.97 clock= 84.93
 117LZ:#SB= 1 OR= 0.100 RR=12.000 BM=F RC= 1 BS= 0/8935
 1:#s= 1 Cs= -6.00 XCs= 0.00 Cr= 0.00 XCr= 0.00 sD= 182 rD= 2

DESIGN G3.1 jmart: 6/12/1997 11:28:16

FILE:P.C9JNNOR14501

CENTRAL BODY:JUPITER III

MINI:m.C9JNNOR14501

S/C EPH:/DATA/NAVIO/T-970513-tour.NS

PERIAPSIS:

THINNING:NIM 2

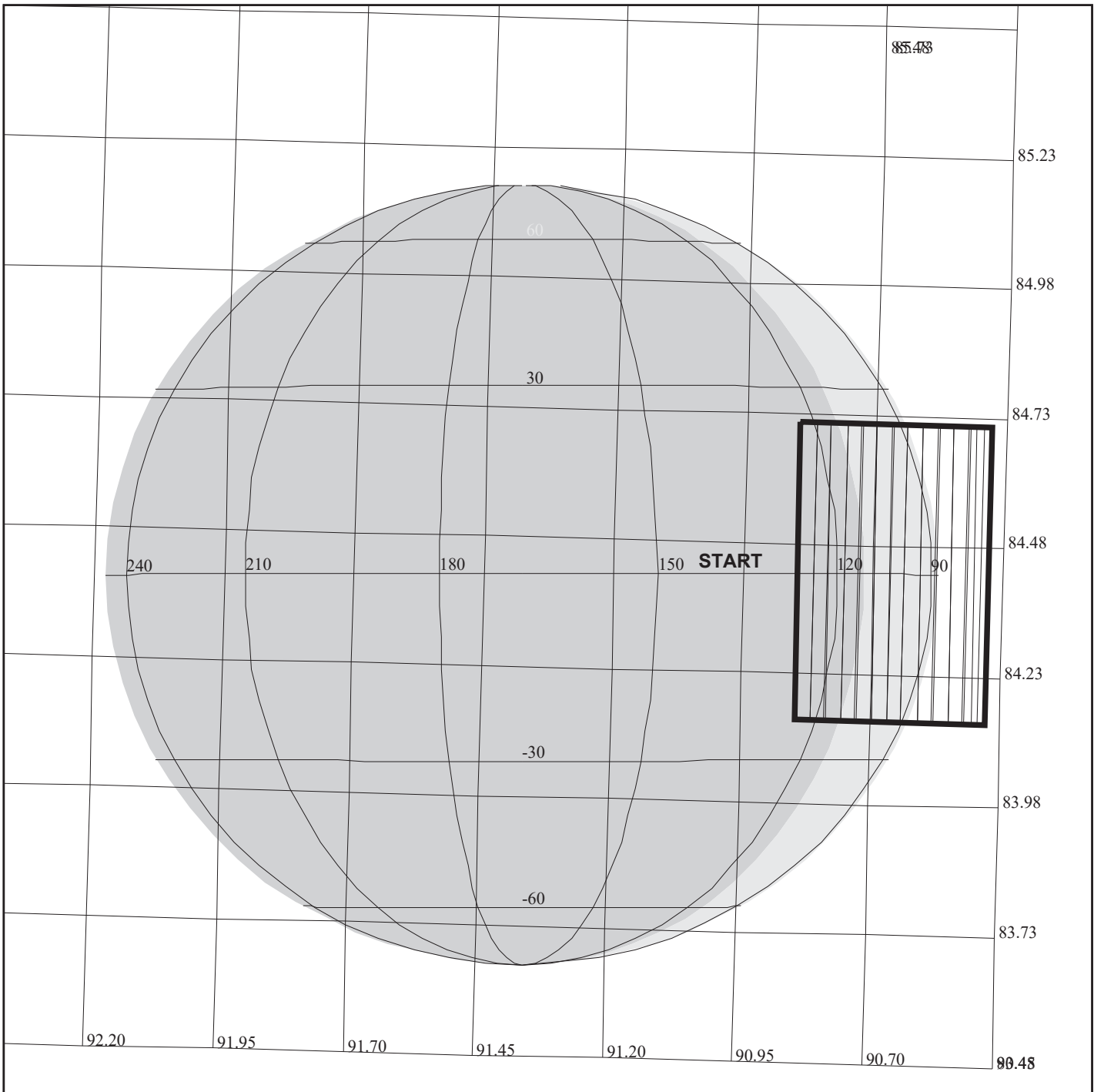
START:HPB 97-253/00:00:24.333 +CDS 807:00:0

BODY PLOT TIME:TARGET-TIME D= 0 S= 0.800

OBSERVATION:C9JNNOR14501

DESCRIP:Jupiter_North_Hemisphere_145_Deg

Jupiter North Hemisphere 145 Deg Phase		ACTIVITY ID:	C9JNNOR14501-		
		START TIME:	97-253/13:33:20.333		
Activity ID: Orbit C9 Target J Inst N OAPEL NOR145 SeqNo 01 -					
Title	Jupiter North Hemisphere 145 Deg Phase		Instrument	NIMS	
Requestor	NIMS-AWG/K. BAINES		Team	NIMS Working Group	AWG
Time System	CDS	Load ID	Calendar Date	09/10/97	Week 37
Start	HPB+CDS	00000804:00:0	97-253/13:33:20.333	HPB+000/13:32:56.000	
End	HPB+CDS	00000809:00:0	97-253/13:38:23.666	HPB+000/13:37:59.333	
Duration		00000005:00:0	000/00:05:03.333	000/00:05:03.333	
Top Label	C9JNNOR14501-				
Bottom Label					
Plot Key	NIMS	Type	SCI		
CDS Bytes	150	Report Options	BOTH	Scan Platform	Yes
CDS Source	OAP	Spin State	DUAL	DMS	Yes
Observation Objective					
<p>145 degrees phase angle observation of the Northern Hemisphere. Observation centered near 86 degrees West longitude, 40 degrees North latitude. Jupiter imaged in 25 colors, using NIMS downlink wavelength table JFT25A.</p>					
Data Returned					
Design Detail					
<p>Shortmap, Nyquist sample, observation of approximately 0.5 X 1 (5 X 10 mrad) area centered on the bright limb of the Northern Hemisphere near 86 degrees West longitude, 45 degrees South planetographic latitude. Spacecraft distance 5.02 million KM, NIMS IFOV (NIMSel) = 2510 KM. About 50 seconds of scanning, accumulating 0.080 MBTG in 25 colors, and using 0.00168 tracks. Three RIMS reserved for targetting. Observation occurs during the second SSI off-earthline turn.</p>					
Short Map (SM), Gain 2, Grating Start 1, LPU, C9JFT68C, C9JFT68C					
Galileo Activity Plan Form			06/09/97	10:29:50	rev 6/95



C9JNEQU14501

165MA:TT= 0 TMC=1 C= 4.50 XC= 0.00 BS= 0/0027 TC= 1(0 86)
 A= 546 pD= 0 SR=17.450 RA50=174.32 DEC50= 2.02 cone= 90.84 clock= 84.42
 117MA:#SB= 1 OR= 0.100 RR=12.000 BM=F RC= 1 BS= 0/0027
 1:#s= 1 Cs= -6.00 XCs= 0.00 Cr= 0.00 XCr= 0.00 sD= 182 rD= 2

DESIGN G3.1 jmart: 6/12/1997 11:36: 8

FILE:P.C9JNEQU14501

CENTRAL BODY:JUPITER III

MINI:m.C9JNEQU14501

S/C EPH:/DATA/NAVIO/T-970513-tour.NS

PERIAPSIS:

START:HPB 97-253/00:00:24.333 +CDS 813:00:0

OBSERVATION:C9JNEQU14501

THINNING:NIM 2

BODY PLOT TIME:TARGET-TIME D= 0 S= 0.800

DESCRIP:Jupiter_Equatorial_145_Deg_Phase

Jupiter Equatorial 145 Degrees Phase		ACTIVITY ID:	C9JNEQU14501-		
		START TIME:	97-253/13:38:23.666		
Activity ID: Orbit C9 Target J Inst N OAPEL EQU145 SeqNo 01 -					
Title	Jupiter Equatorial 145 Degrees Phase		Instrument	NIMS	
Requestor	NIMS-AWG/K. BAINES		Team	NIMS Working Group	AWG
Time System	CDS	Load ID	Calendar Date	09/10/97	Week 37
Start	HPB+CDS	00000809:00:0	97-253/13:38:23.666	HPB+000/13:37:59.333	
End	HPB+CDS	00000814:00:0	97-253/13:43:26.999	HPB+000/13:43:02.666	
Duration		00000005:00:0	000/00:05:03.333	000/00:05:03.333	
Top Label	C9JNEQU14501-				
Bottom Label					
Plot Key	NIMS	Type	SCI		
CDS Bytes	150	Report Options	BOTH	Scan Platform	Yes
CDS Source	OAP	Spin State	DUAL	DMS	Yes
Observation Objective					
<p>145 degrees phase angle observation of the Equator. Observation centered at 86 degrees West longitude, 0 degrees North latitude. Jupiter imaged in 25 colors, using NIMS downlink wavelength table JFT25A.</p>					
Data Returned					
Design Detail					
<p>Shortmap, Nyquist sample, observation of approximately 0.5 X 1 (5 X 10 mrad) area centered on Equatorial bright limb near 86 degrees West longitude, 0 degrees latitude. Spacecraft distance 5.02 million KM, NIMS IFOV (NIMSel) = 2510 KM. About 50 seconds of scanning, accumulating 0.080 MBTG in 25 colors, and using 0.00168 tracks. Three RIMS reserved for targetting. Observation occurs during the second SSI off-earthline turn.</p>					
Short Map (SM), Gain 2, Grating Start 1, LPU, C9JFT68C, C9JFT68C					
Galileo Activity Plan Form			06/09/97	10:29:50	rev 6/95

NIMS SAFE AND CHOPOFF

ACTIVITY ID: C9NNCHOPOF05-
START TIME: 97-253/13:47:29.666

Activity ID: Orbit C9 Target N Inst N OAPEL CHOPOF SeqNo 05 -

Title NIMS SAFE AND CHOPOFF Instrument NIMS
Requestor NIMS-SWG/J. HUI Team NIMS Working Group SWG

Time System CDS Load ID Calendar Date 09/10/97 Week 37

Start HPB+CDS 00000818:00:0 97-253/13:47:29.666 HPB+000/13:47:05.333
End HPB+CDS 00000829:00:0 97-253/13:58:36.999 HPB+000/13:58:12.666
Duration 00000011:00:0 000/00:11:07.333 000/00:11:07.333

Top Label C9NNCHOPOF05-
Bottom Label

Plot Key NIMS Type SCI
CDS Bytes 50 Report Options BOTH Scan Platform No
CDS Source OAP Spin State DUAL DMS No

Observation Objective

To preserve the NIMS chopper life.

Design Detail

Use a NIMSTAB PA to reset wavelength table with parameters
04,C4,02,00,00 and to issue a 37IOP,0,0 to put NIMS in safe.
Then:
Use two NIMS 37IST commands to turn chopper off:
37IST,0,1,0,0,OFF,0,0,0 (Change Chopper Ref to 63Hz)
37IST,0,1,1,0,OFF,0,0,0 (Change Chopper 63Hz to OFF)
Also use a NIMS 37MB command to reset the mirror positions:
37MB,0,0,0,0,0,0,0 (00000,00000)

Chapter 6 - Edit Tables

Contents

	Sub-Section	Page
6.0	Contents	1-2
6.1	Introduction	3
6.2	CLM243C_CLM228C	4
6.3	CLM442_CLM360	5
6.4	EFM126B_EFM126B	6
6.5	EFM204	7
6.6	GLM243K_GLM228K	8
6.7	GLM442	9
6.8	ILM243C_ILM228C	10
6.9	ILM442_ILM360	11
6.10	ILMDK243D_ILMDK228D	12
6.11	ISM68A_ISM68A	13
6.12	J35157_J35157	14
6.13	J5M253B_J5M127B	15
6.14	JAU126A_JAU126A	16
6.15	JFE253A_JFE253A	17

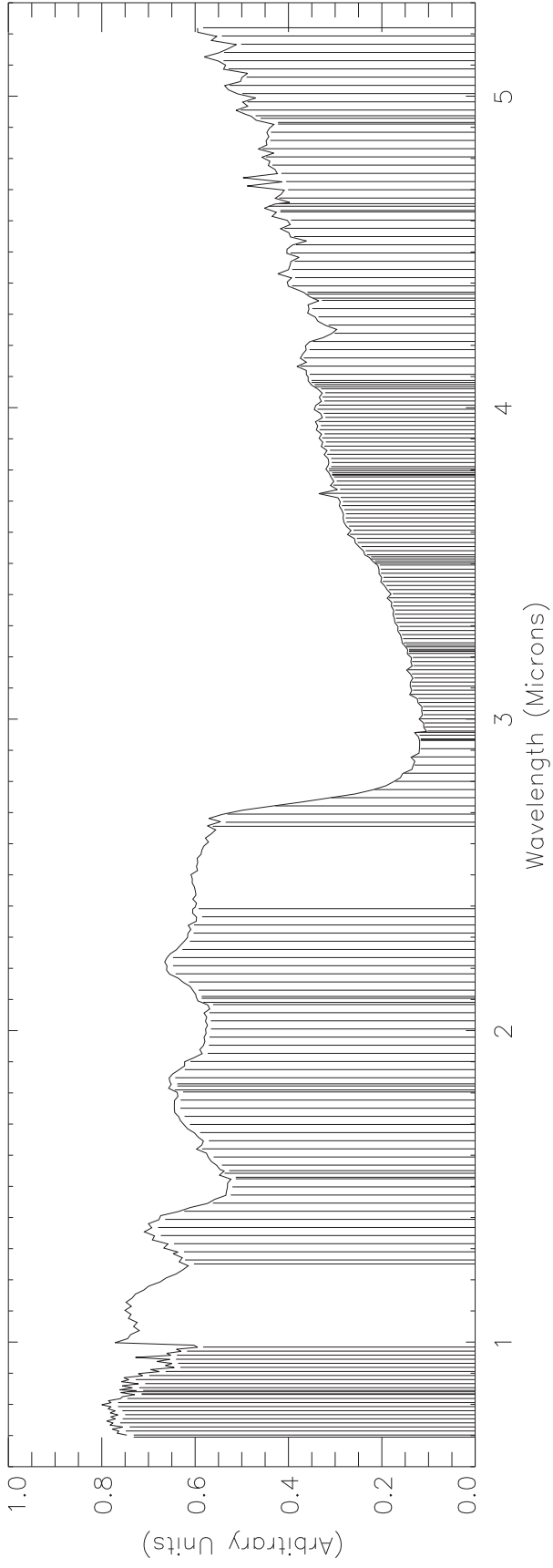
	Sub-Section	Page
6.16	JFE442A_JFE360A	18
6.17	JFT68B_JFT40A	19
6.18	JFT68C_JFT25A	20
6.19	JFT68C_JFT68C	21
6.20	JLM442	22
6.21	RFM126B	23
6.22	SXM17	24
6.23	DRK252	25
6.24	OPCAL48	26
6.25	PCT252	27
6.26	RCT252	28

Introduction to Chapter 6

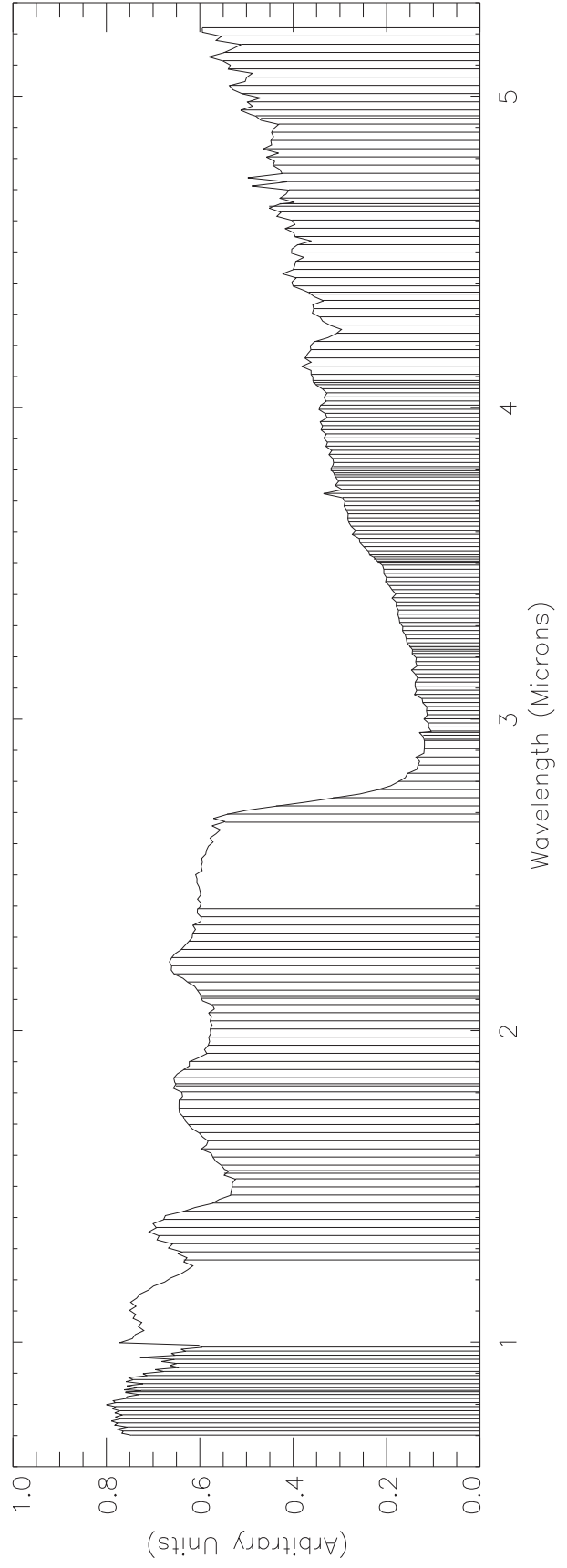
NIMS Edit Table Plots

This chapter contains plots of the NIMS Edit Tables used in C9. The representative spectra used in these plots are observational reference spectra for the target body as obtained from telescopic observations from the Earth. Each reference spectrum is a composite of multiple published sources. Vertical lines below the reference curves mark the wavelengths selected for return. Where no spectral information is available, the selected wavelengths are shown as lines with amplitude equal to .05 on the vertical axis.

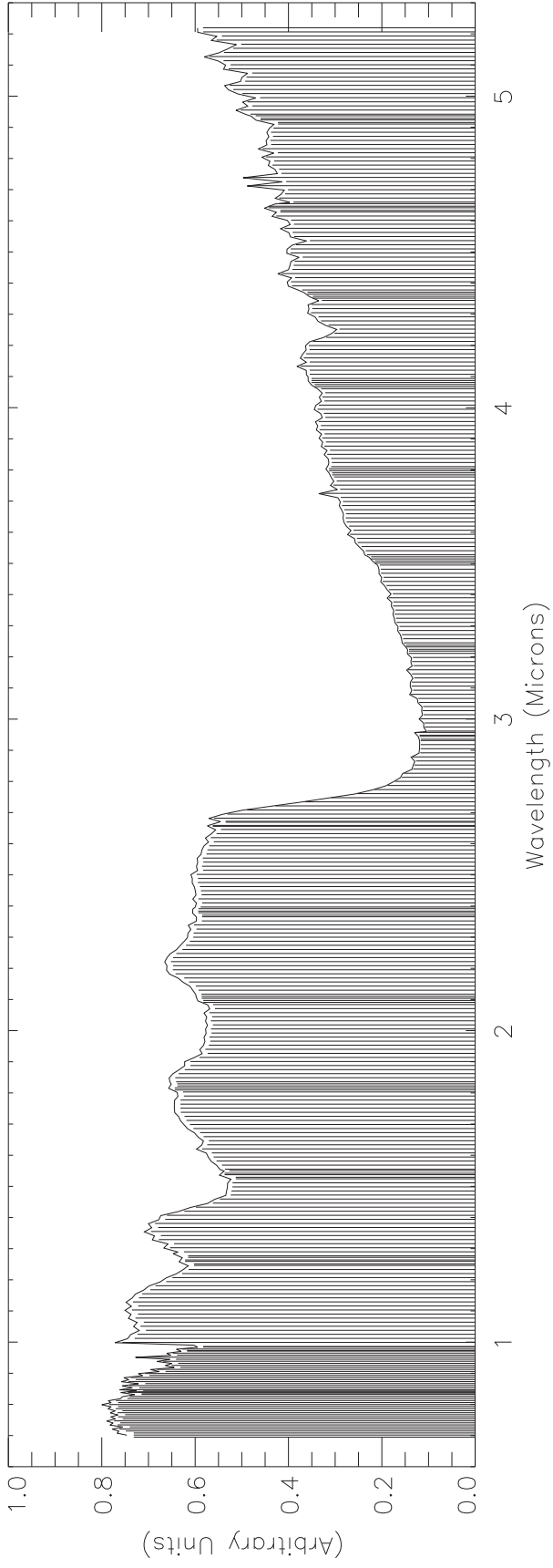
CLM243C.ETB



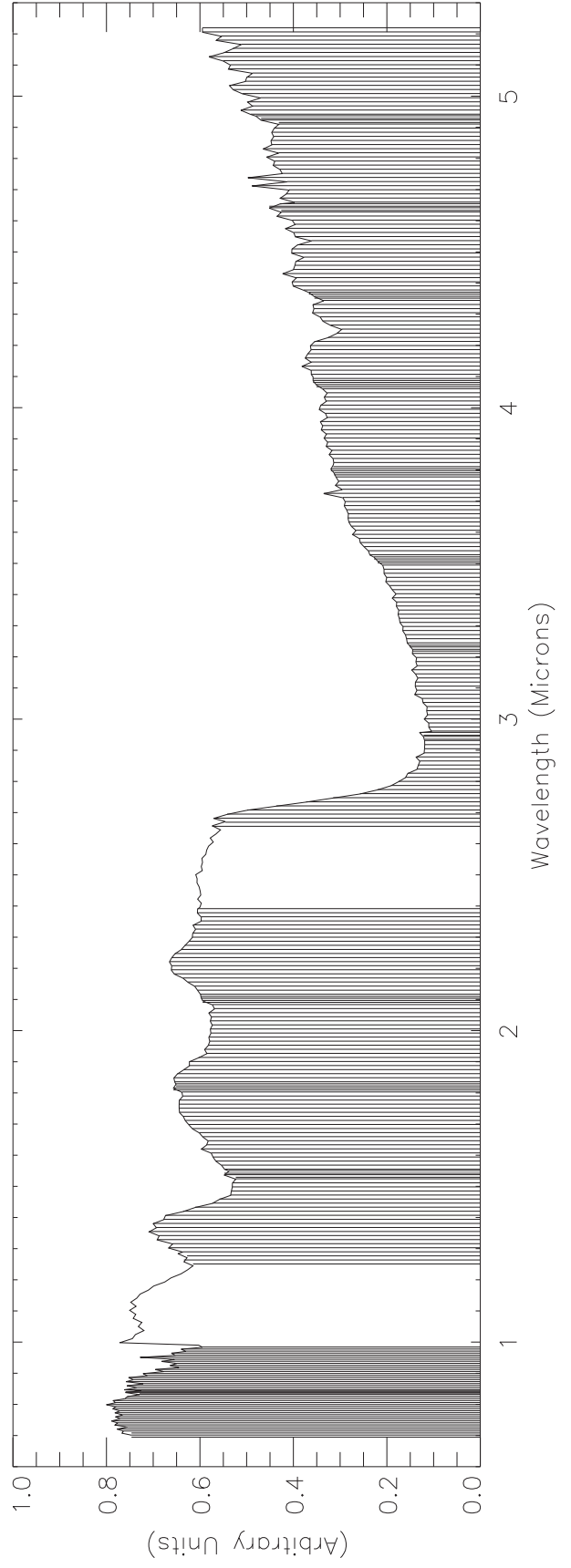
CLM228C.PBK



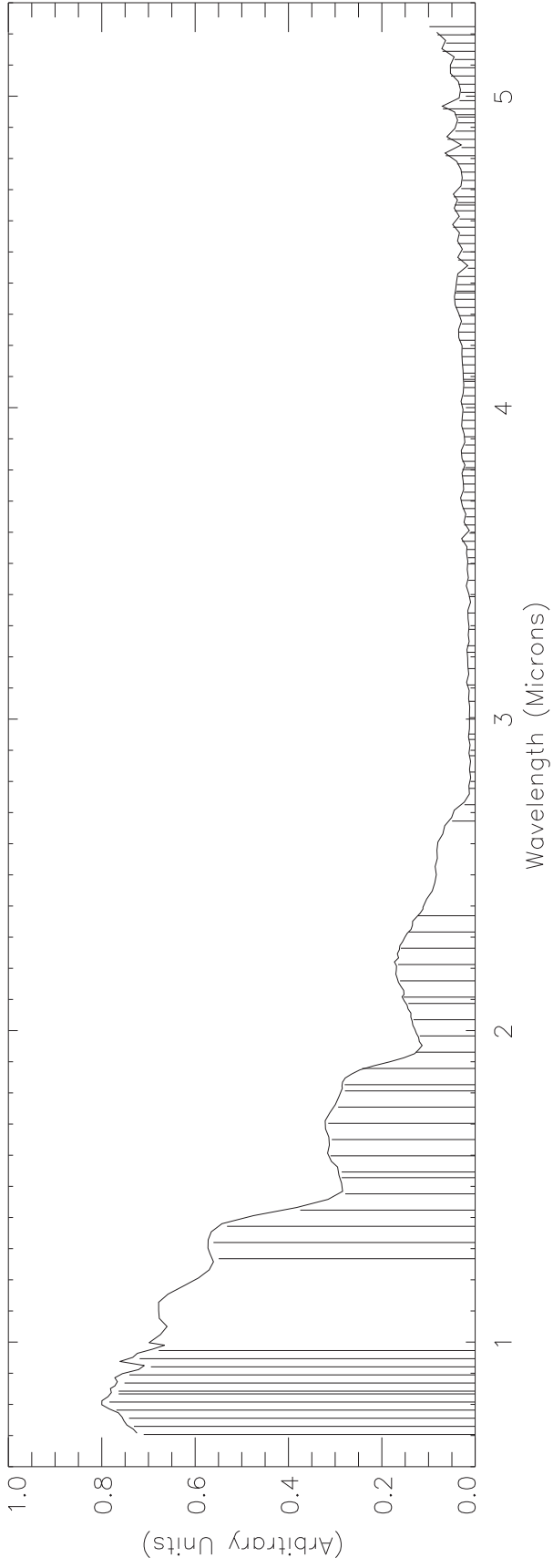
CLM442.ETB



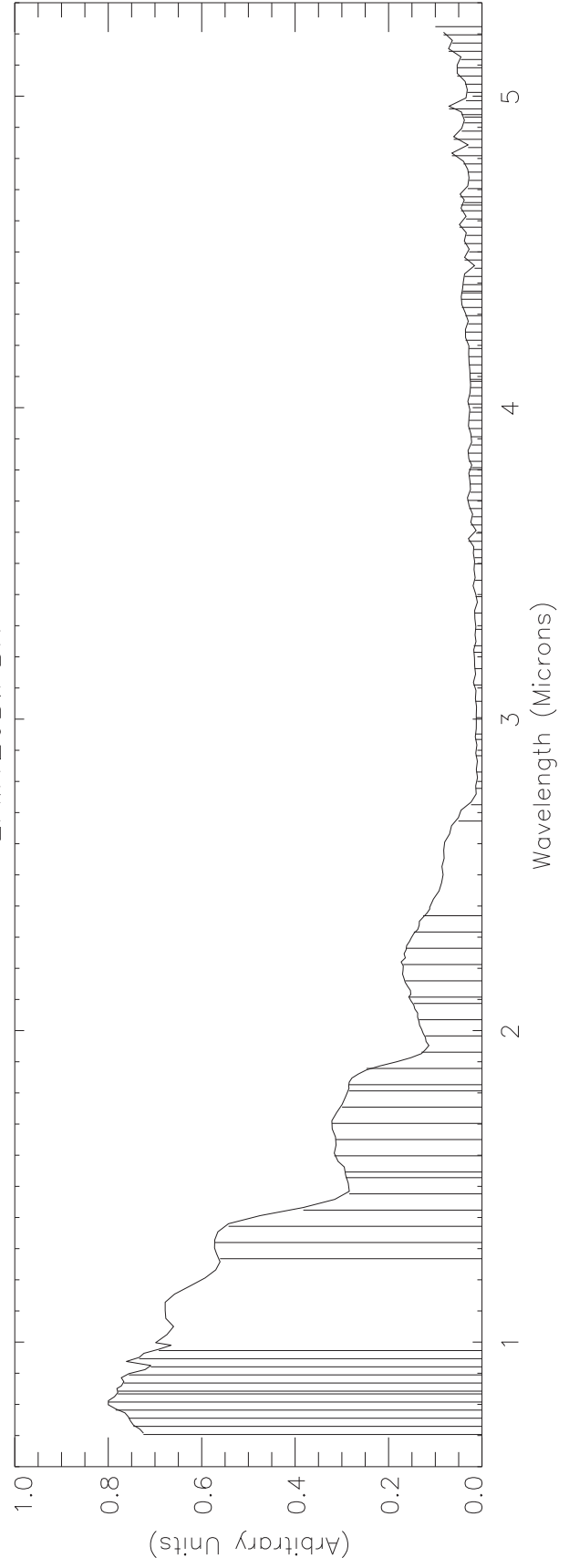
CLM360.PBK



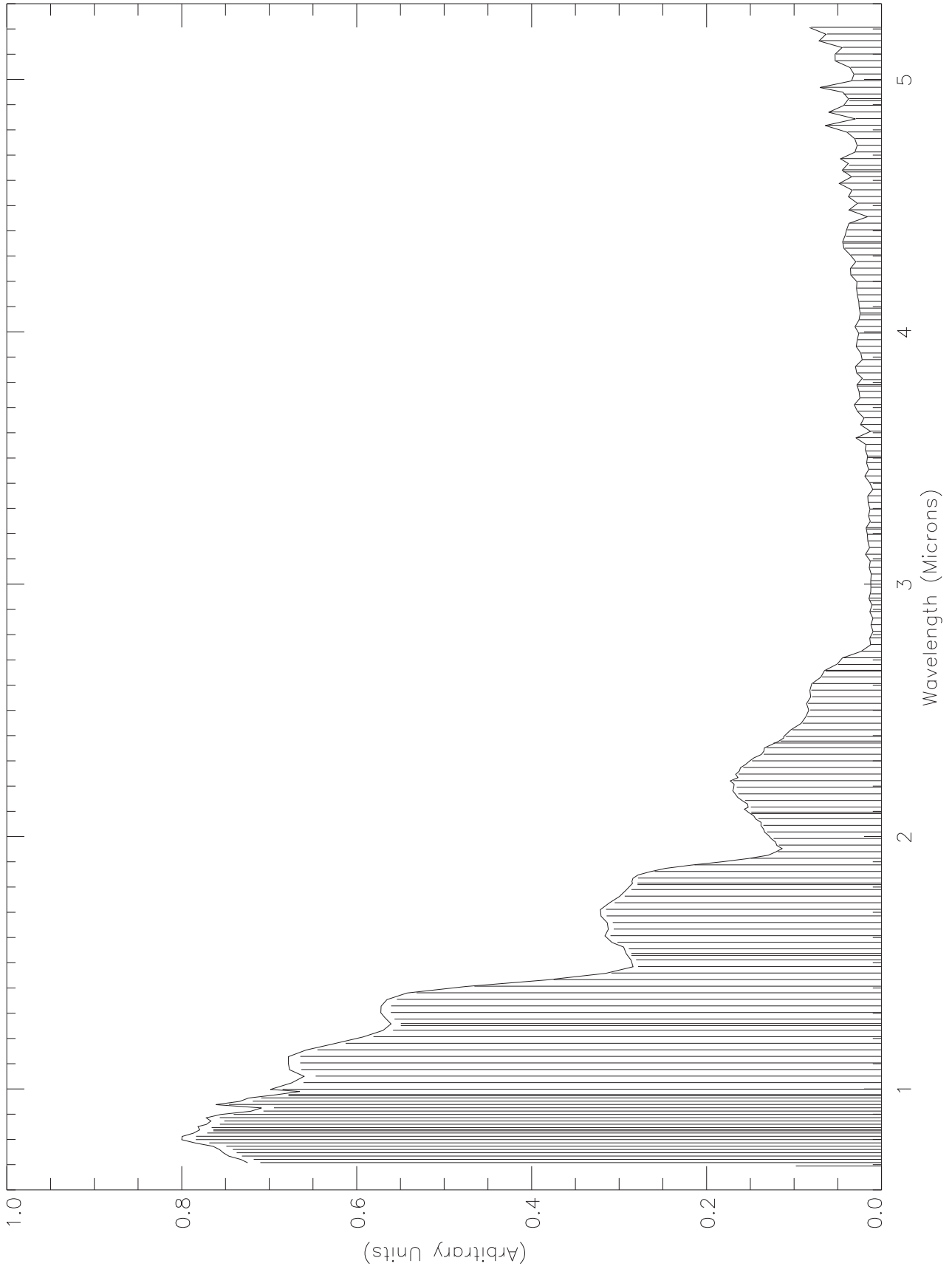
EFM126B.ETB



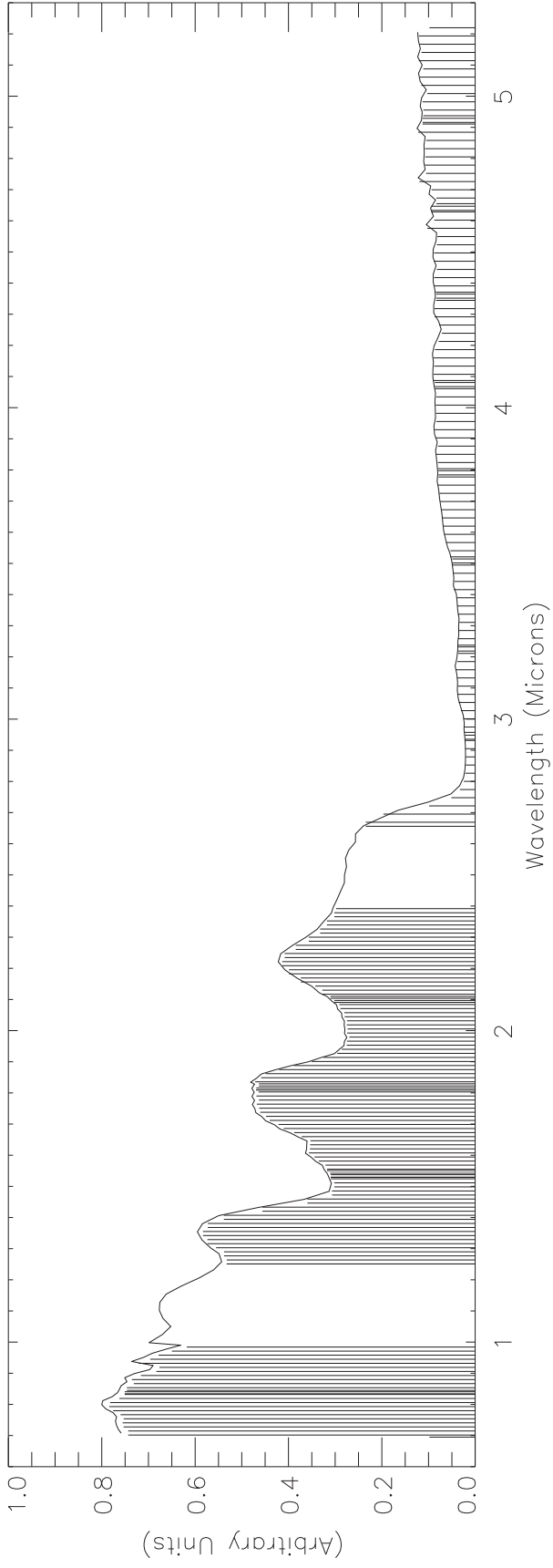
EFM126B.PBK



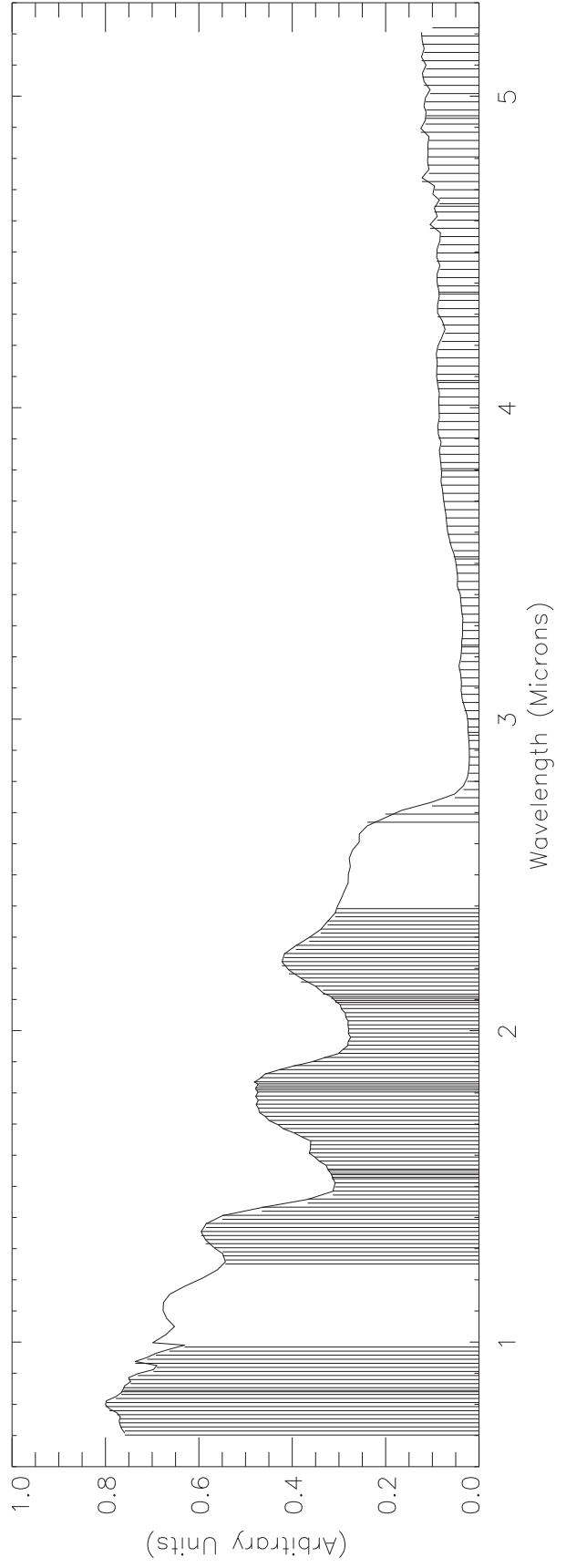
EFM204.ETB



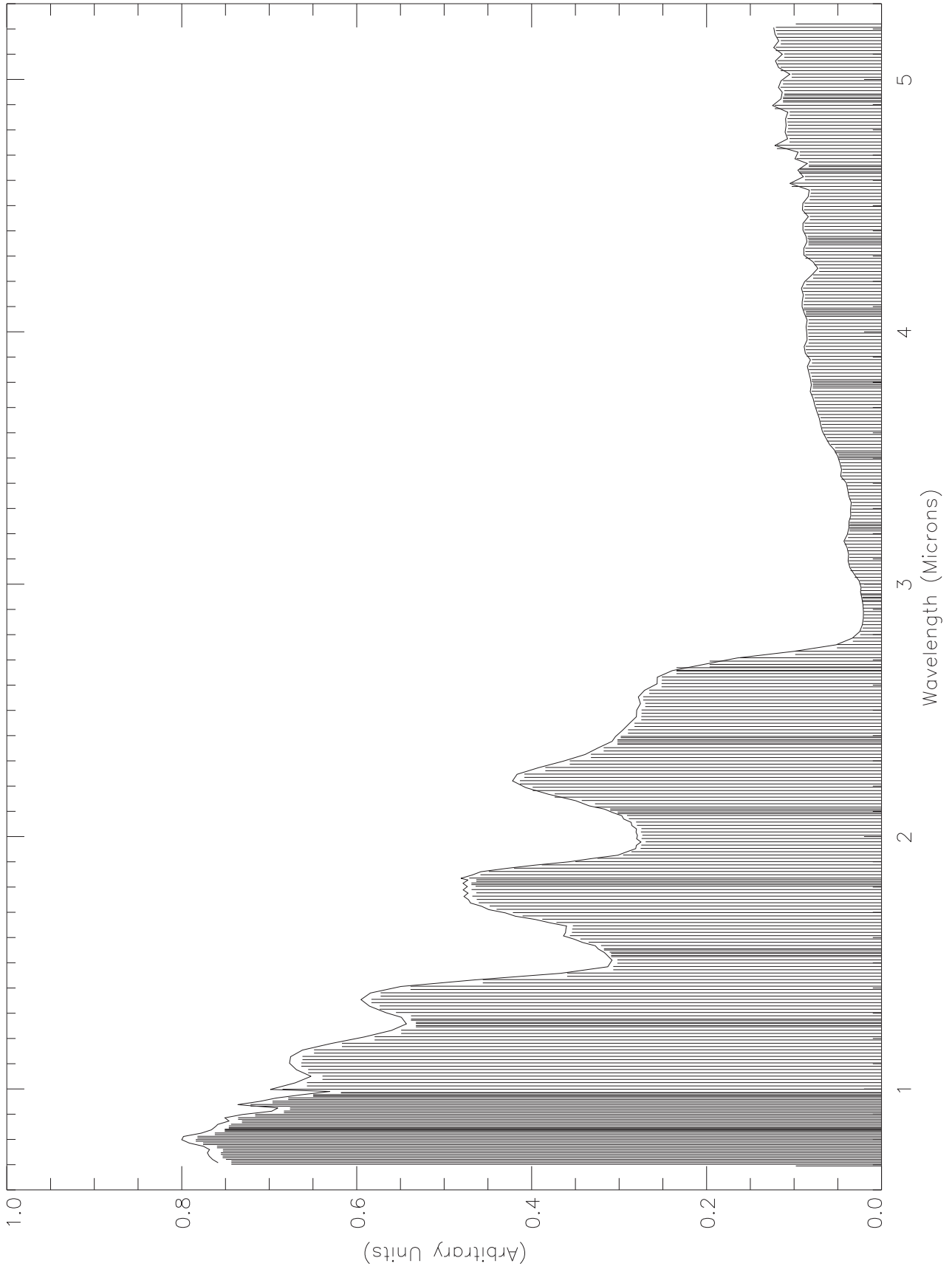
GLM243K.ETB



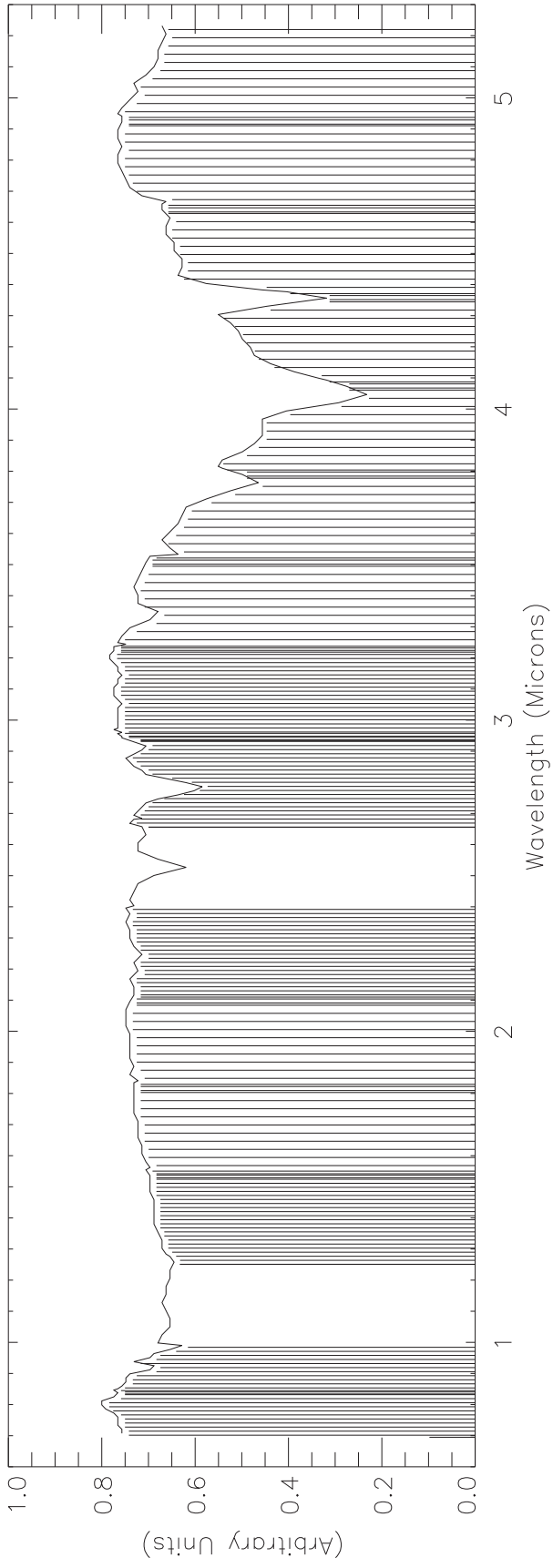
GLM228K.PBK



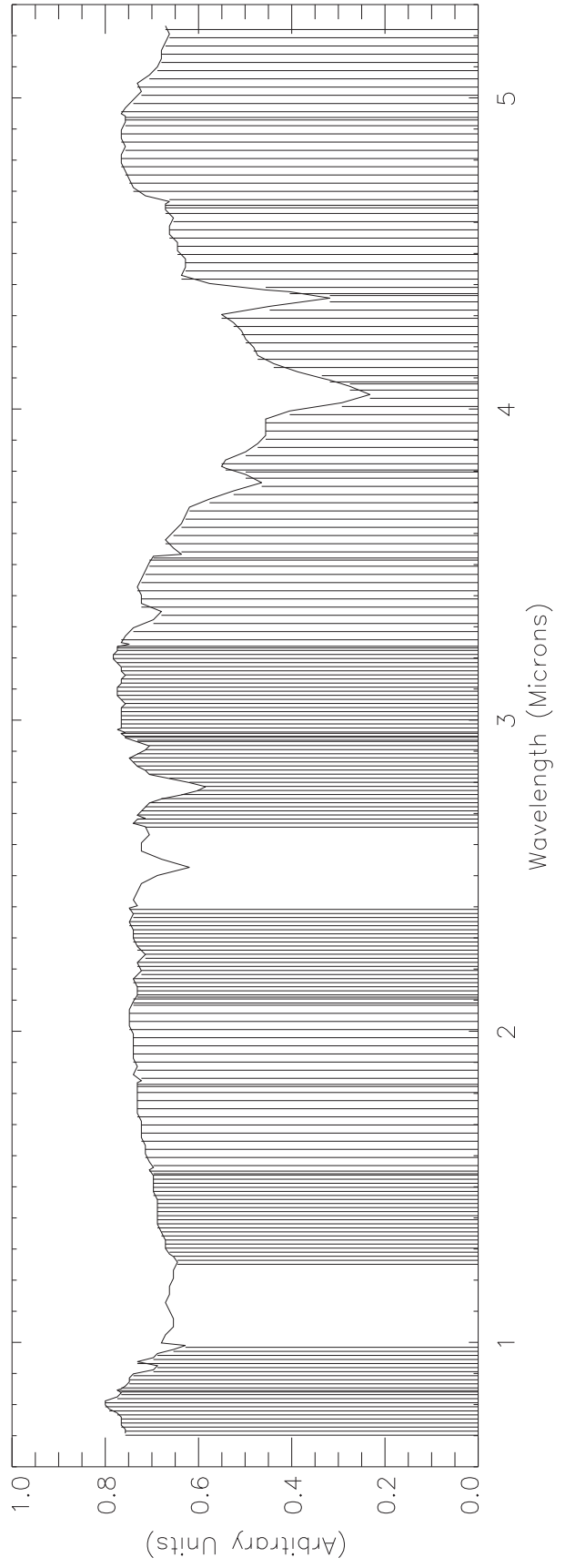
GLM442.ETB



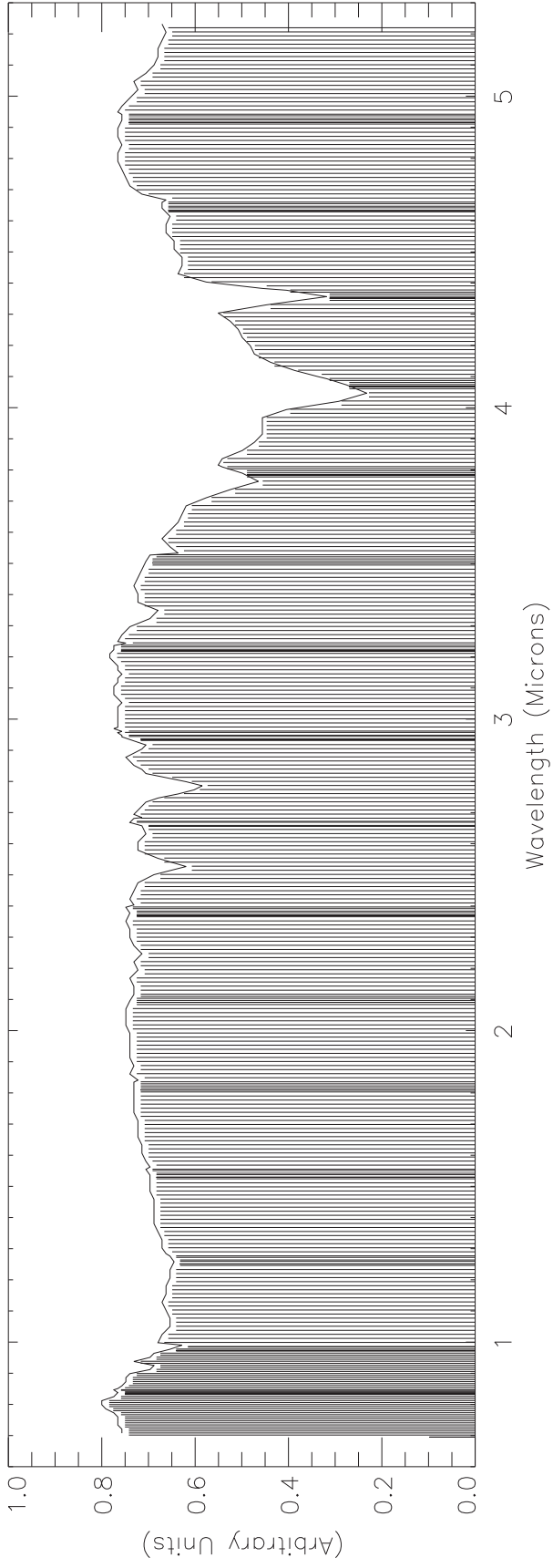
ILM243C.ETB



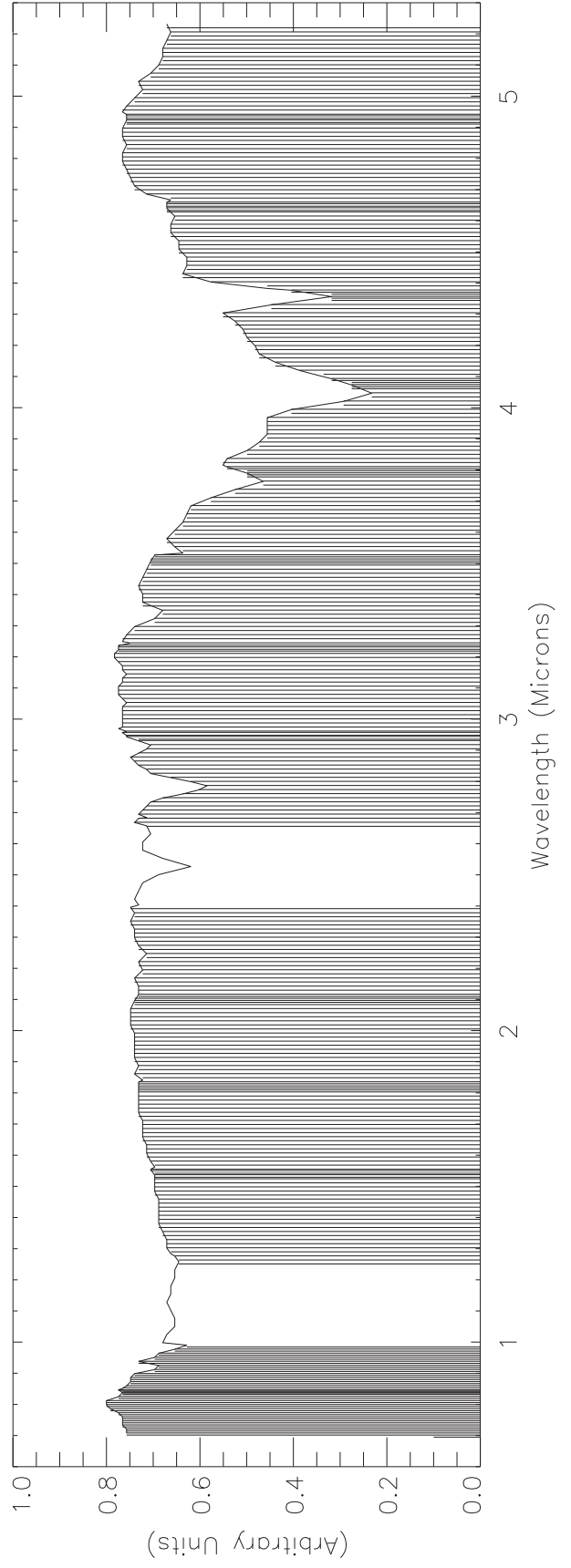
ILM228C.PBK



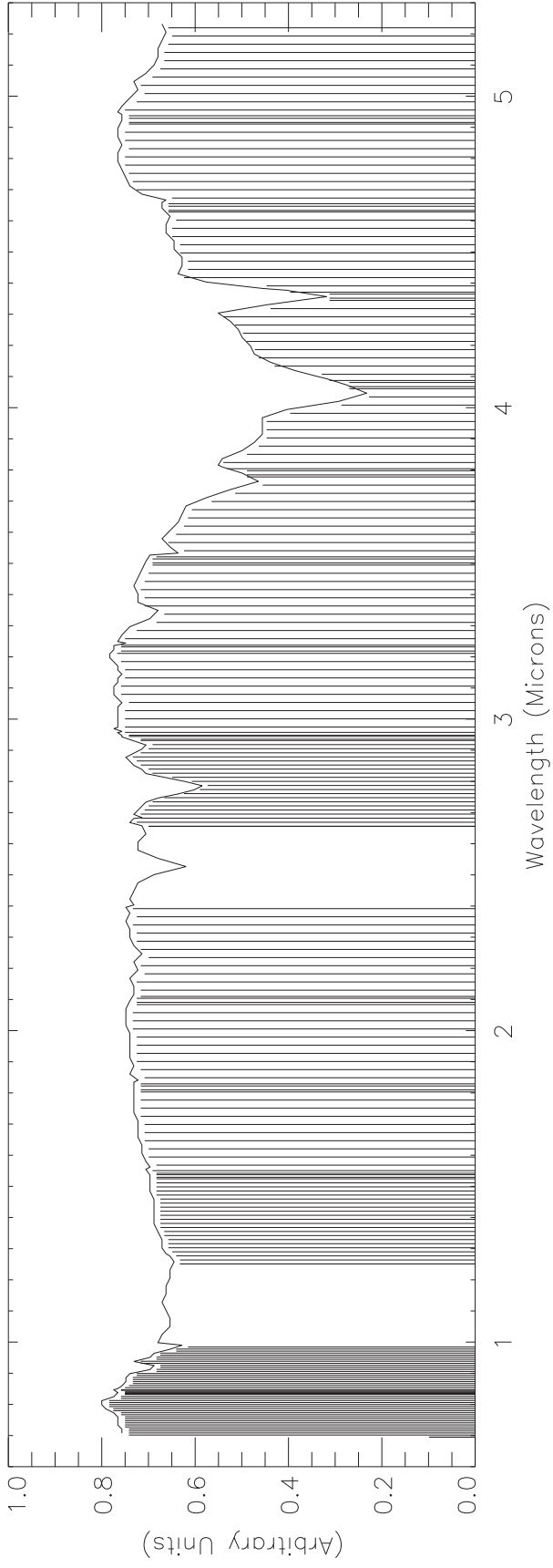
ILM442.ETB



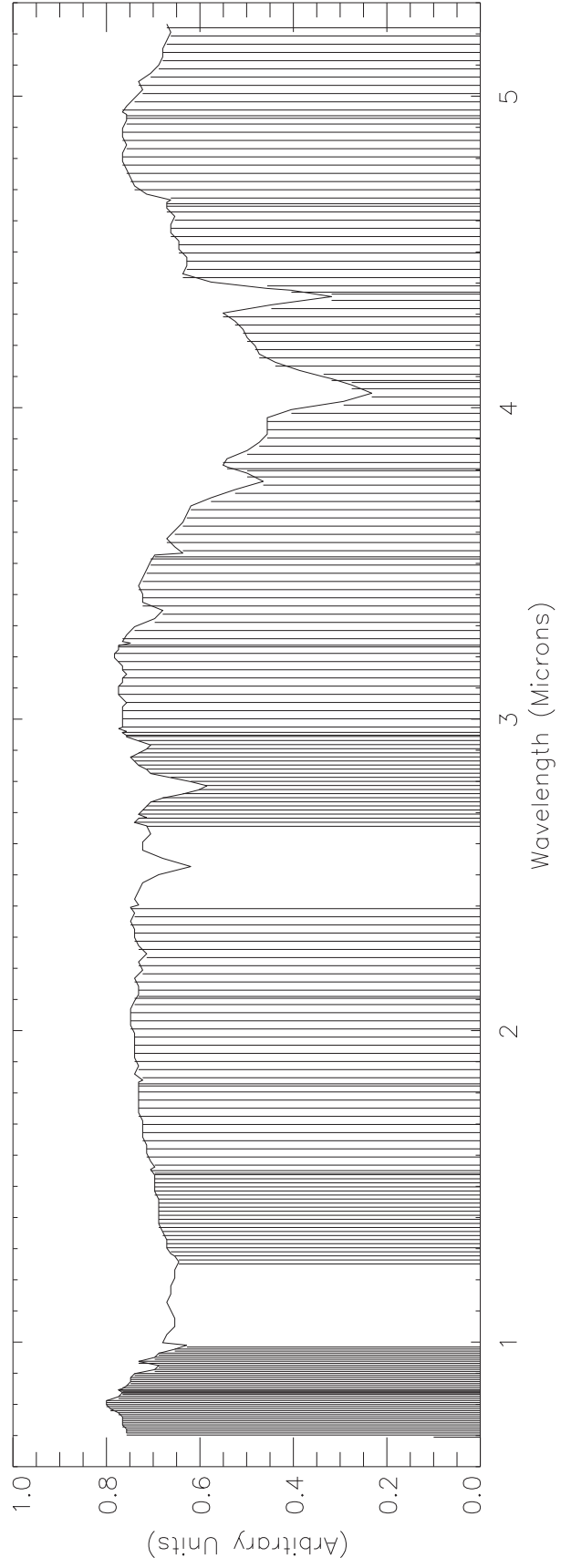
ILM360.PBK



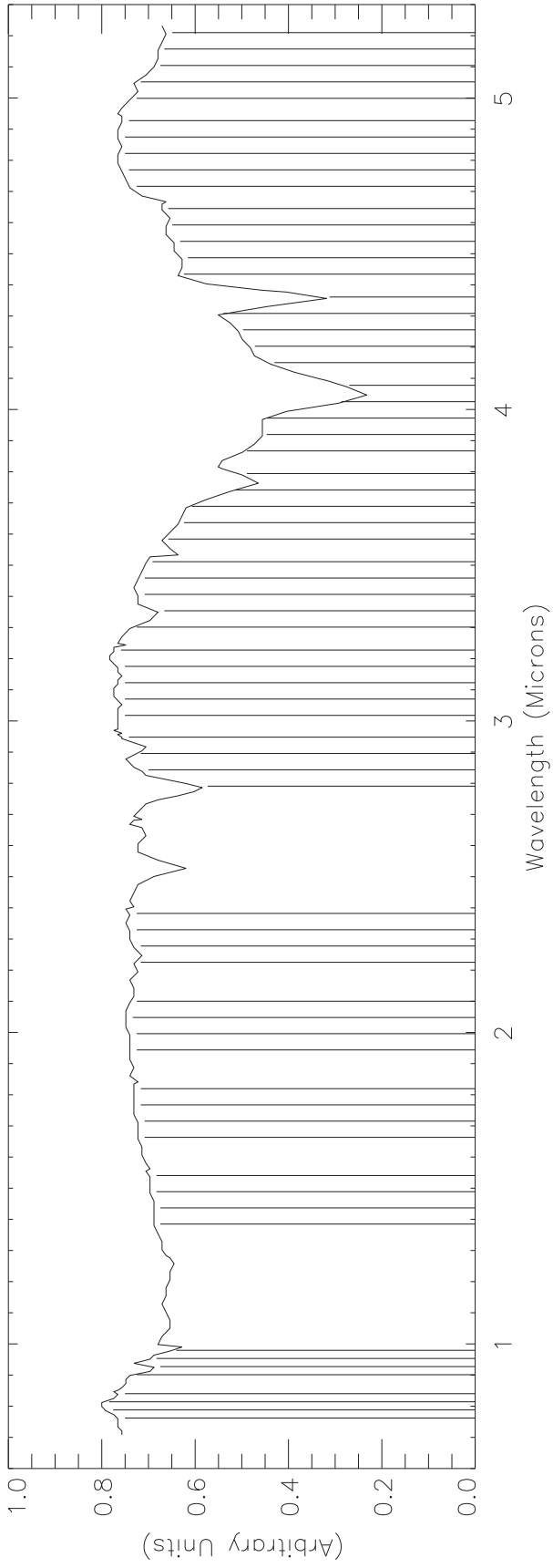
ILMDK243D.ETB



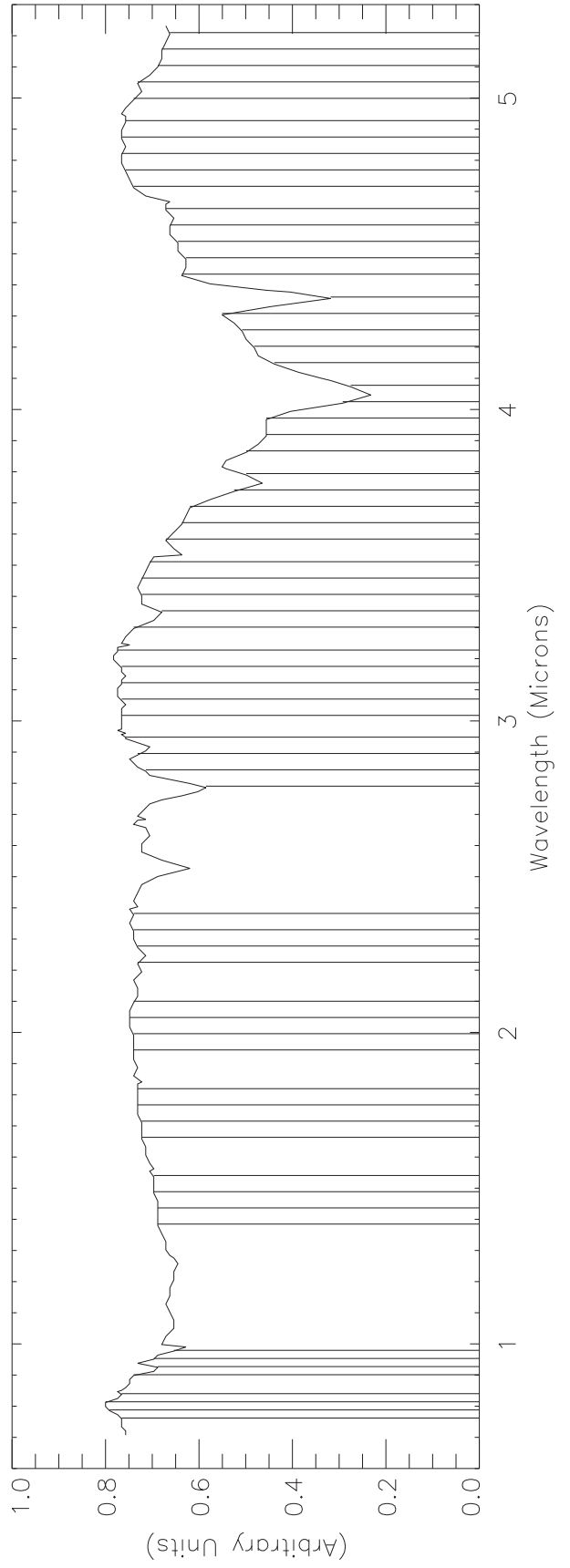
ILMDK228D.PBK



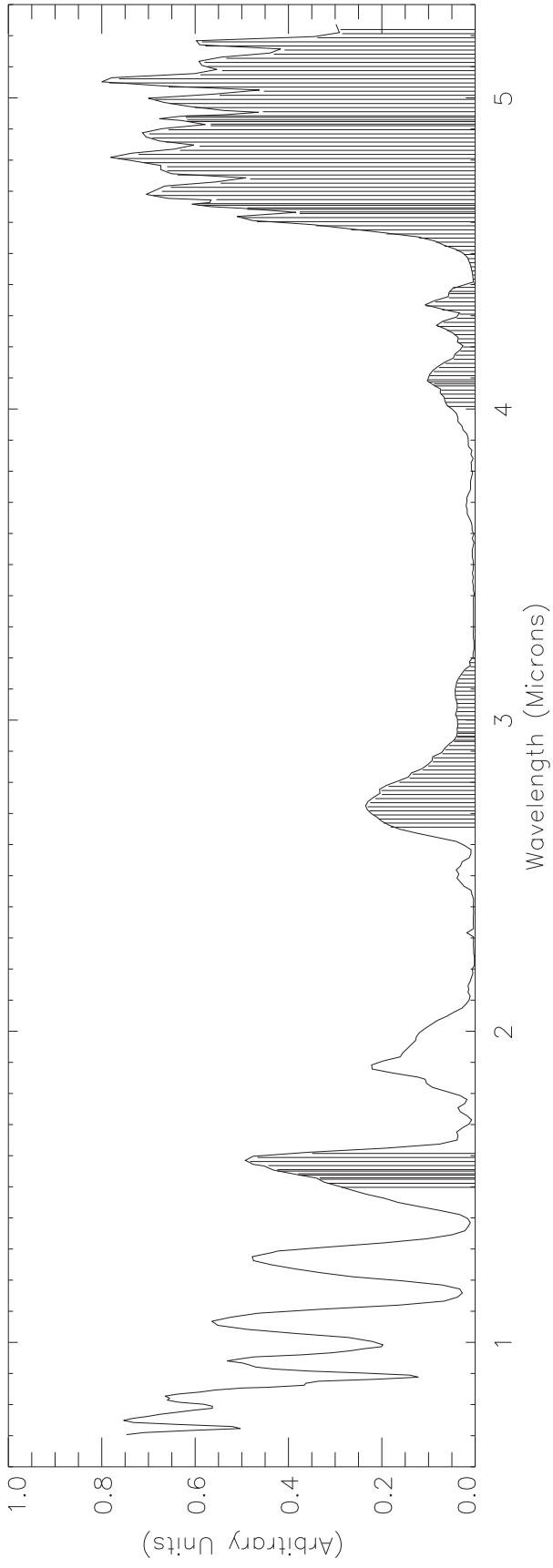
B_JSM68A.ETB



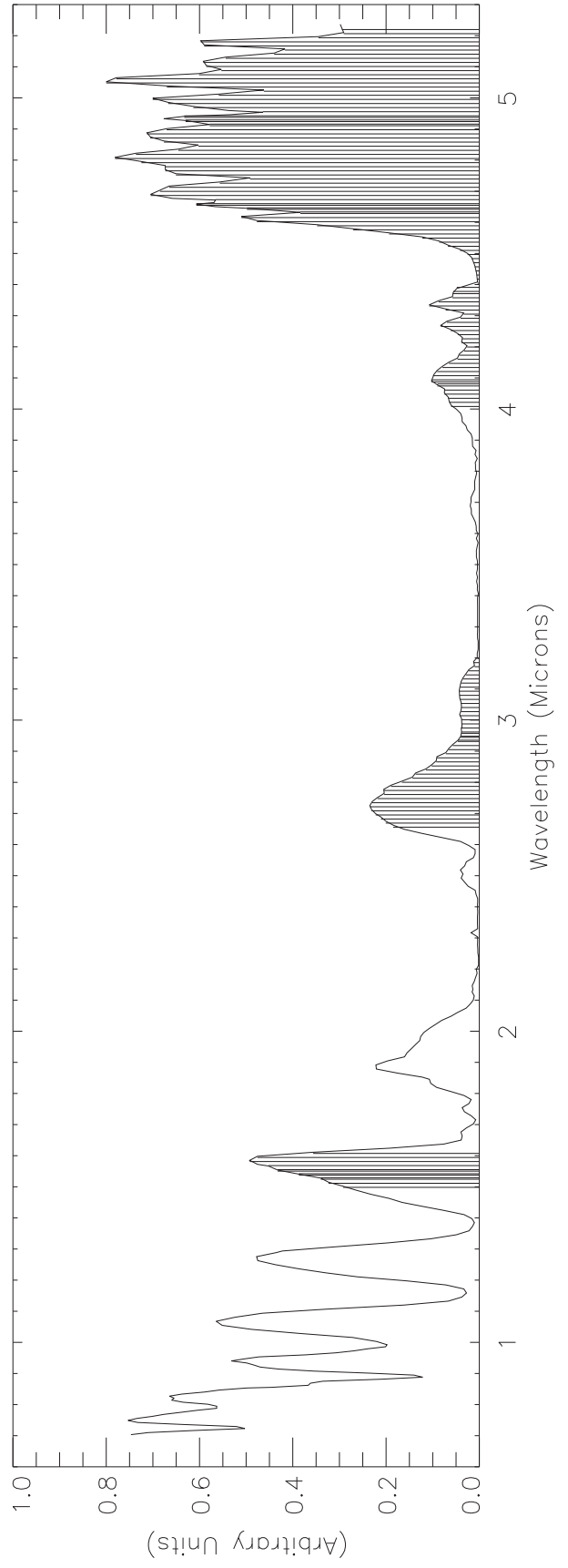
B_JSM68A.PBK



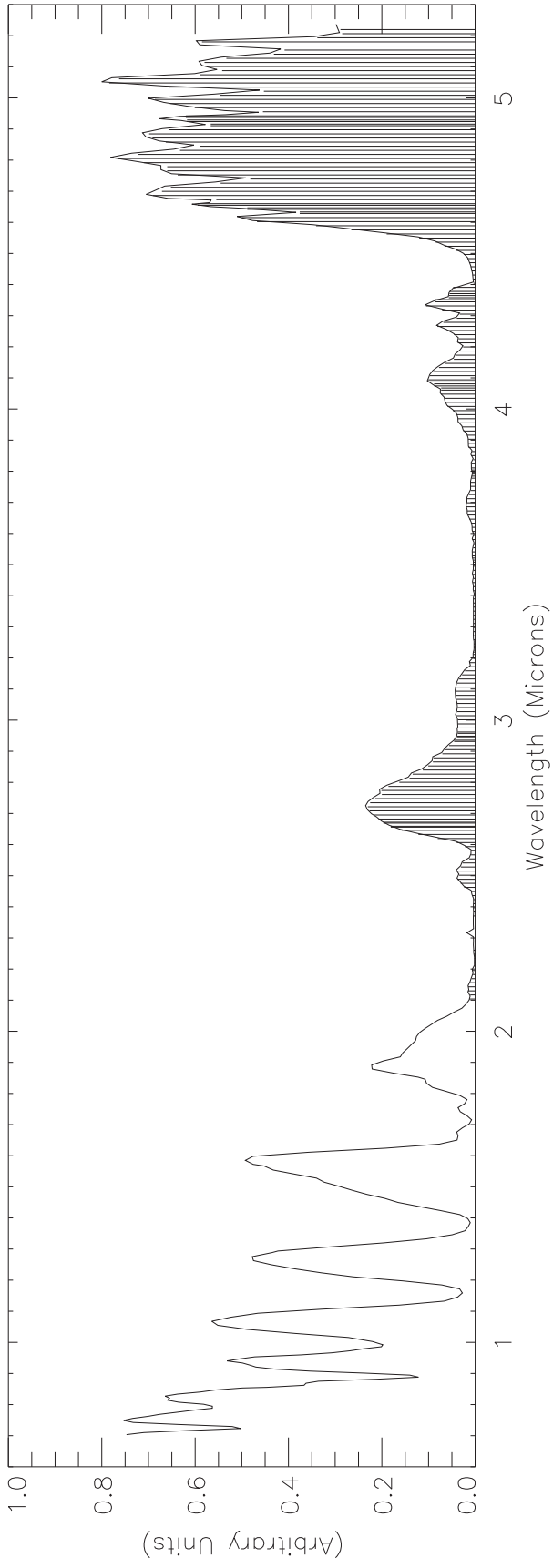
J35157.ETB



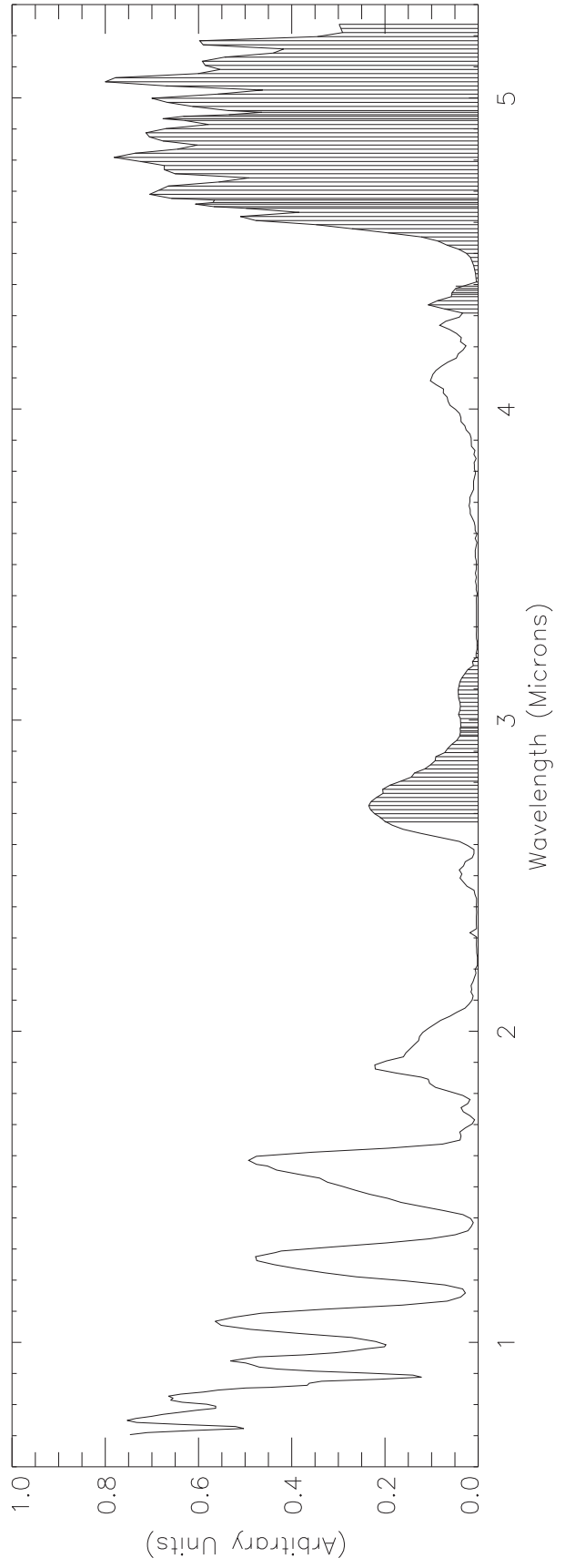
J35157.PBK



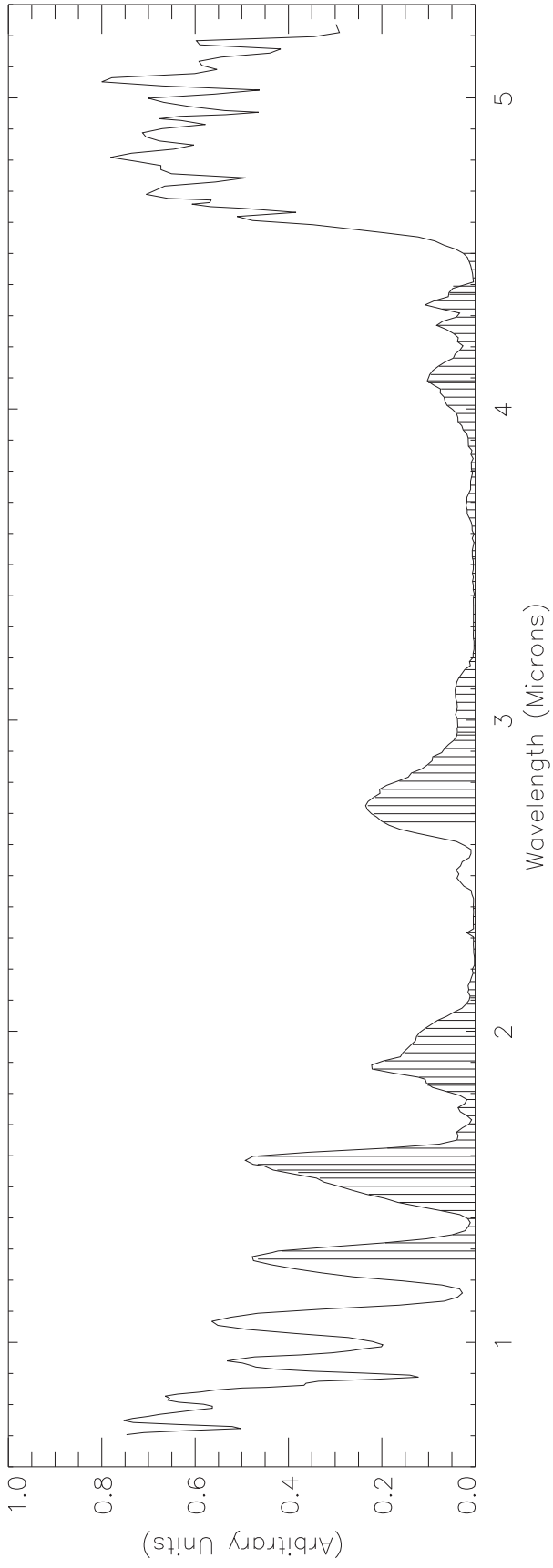
J5M253B.ETB



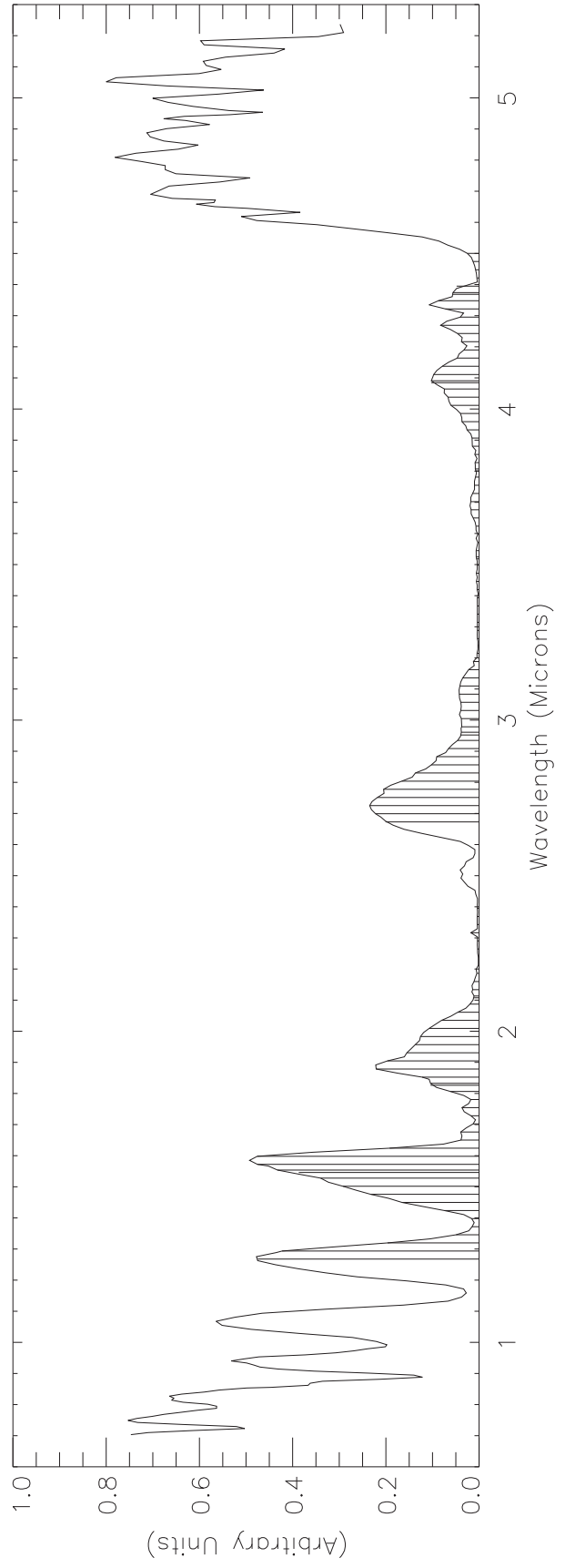
B_J5M127B.PBK



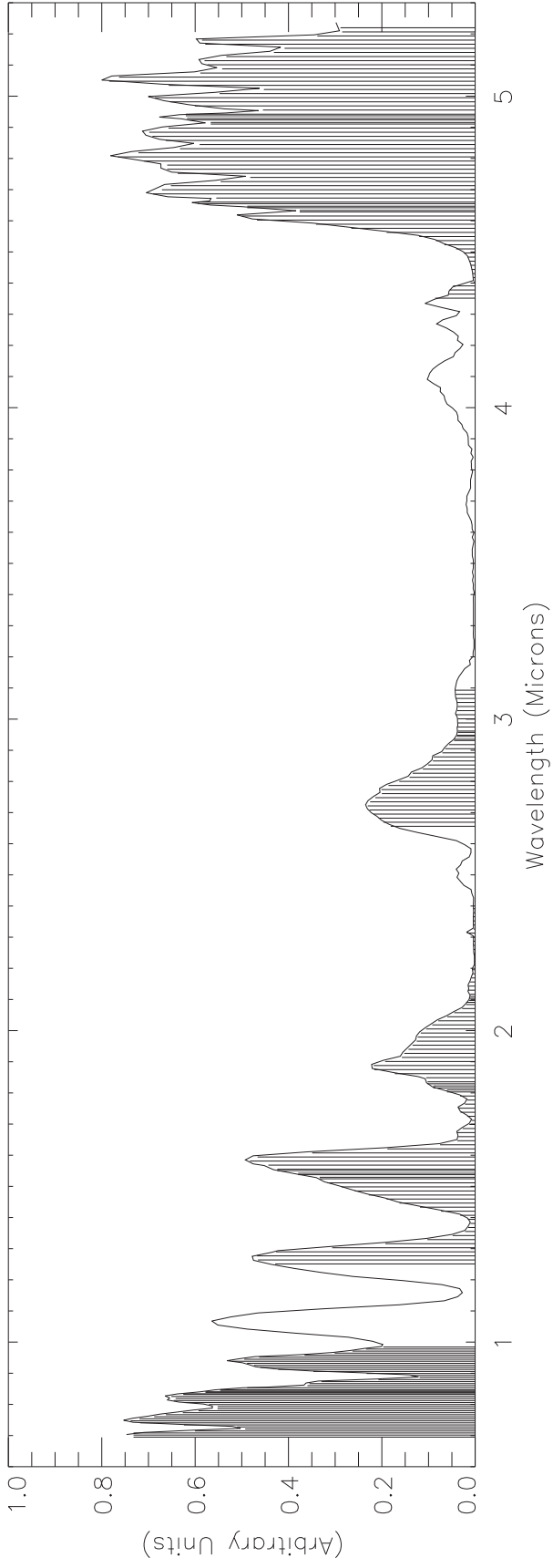
B_JAU126A.ETB



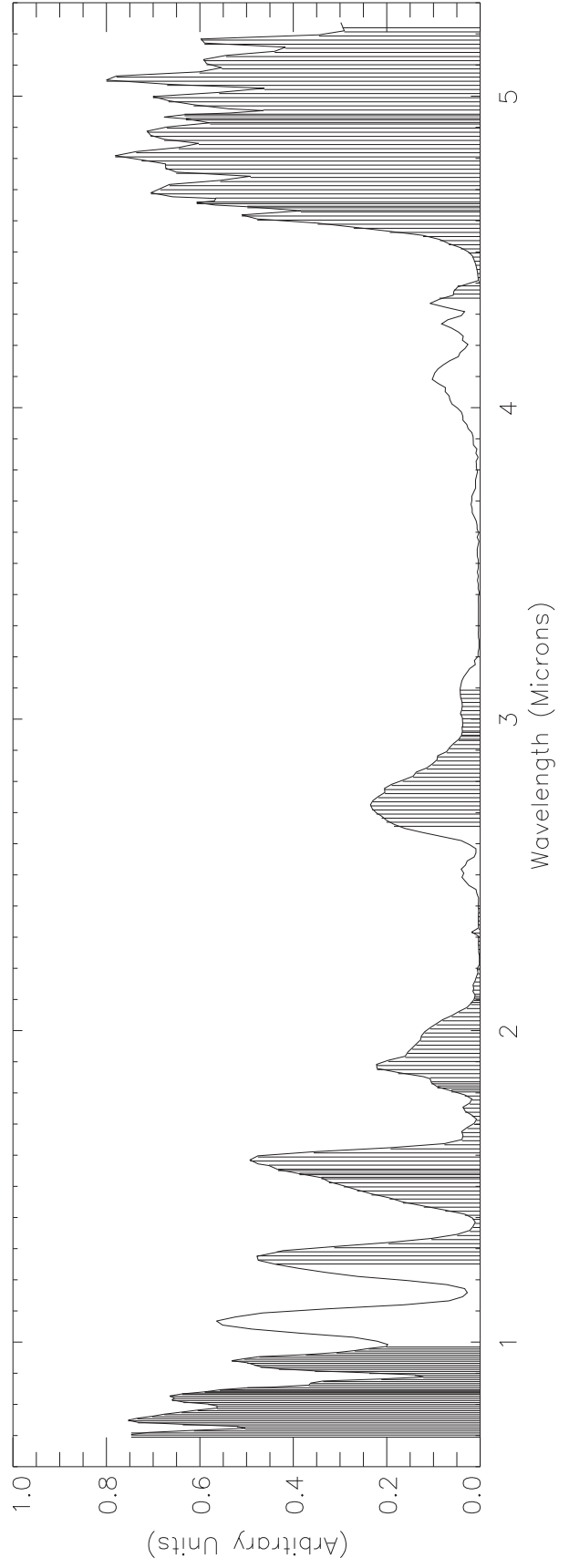
B_JAU126A.PBK



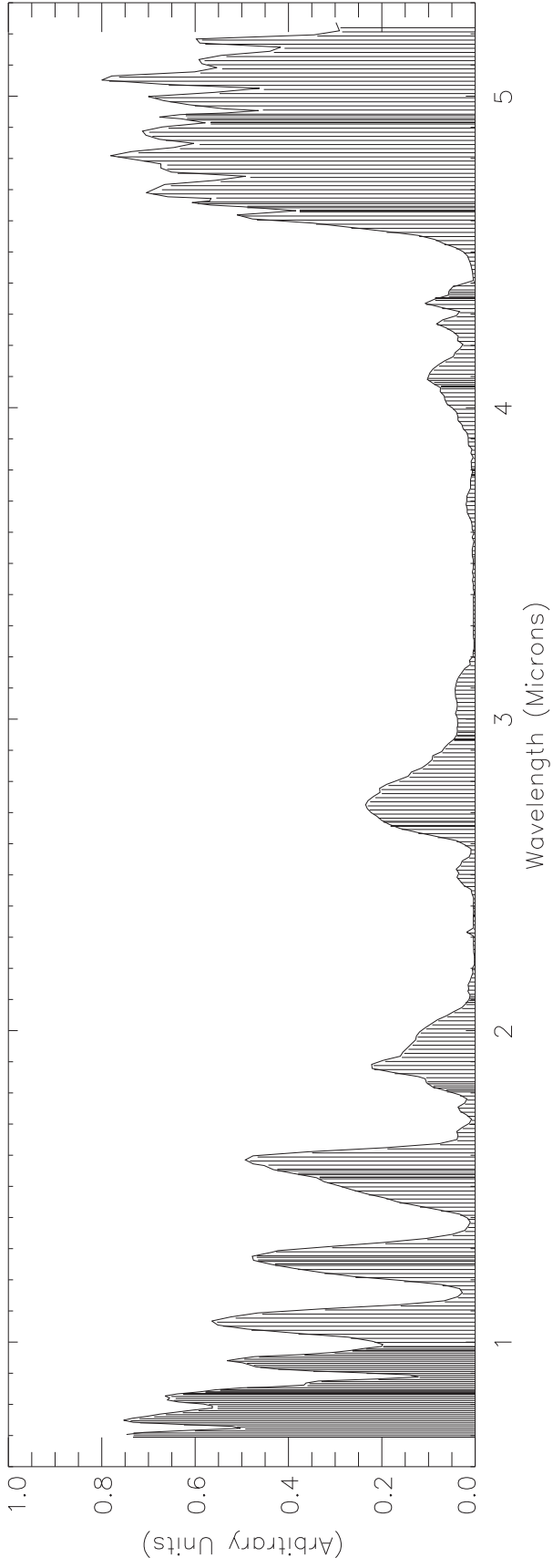
JFE253A.ETB



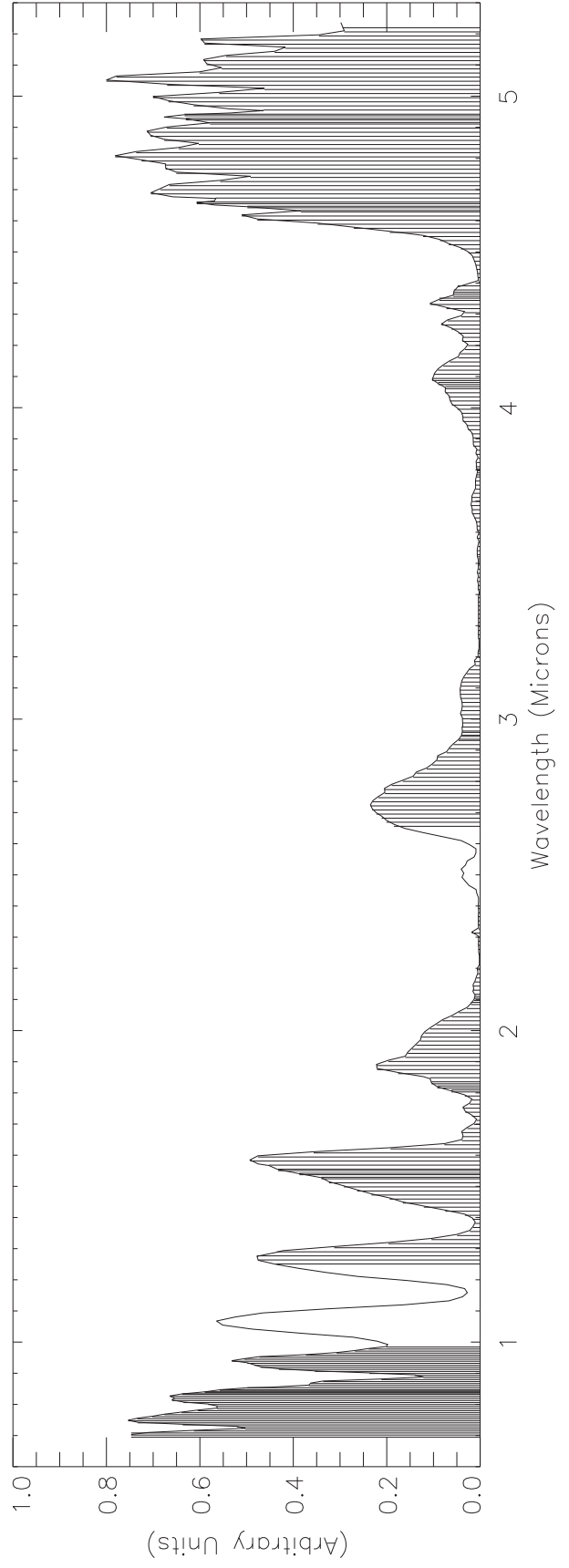
JFE253A.PBK



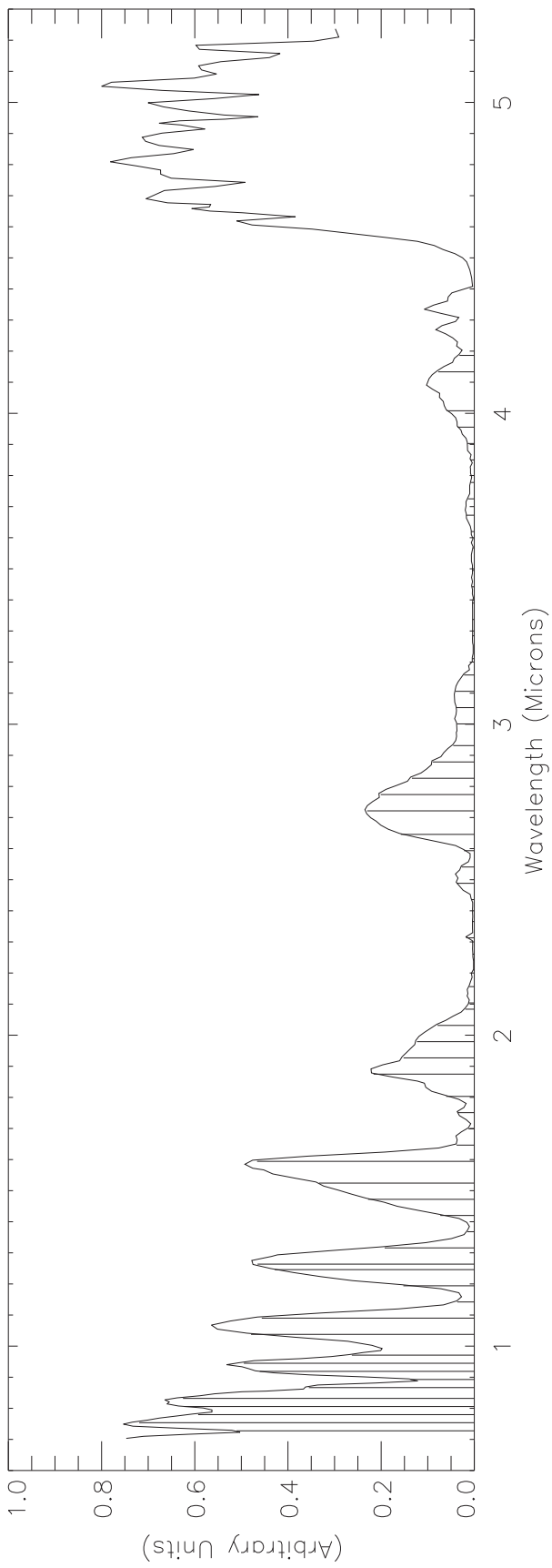
JFE442A.ETB



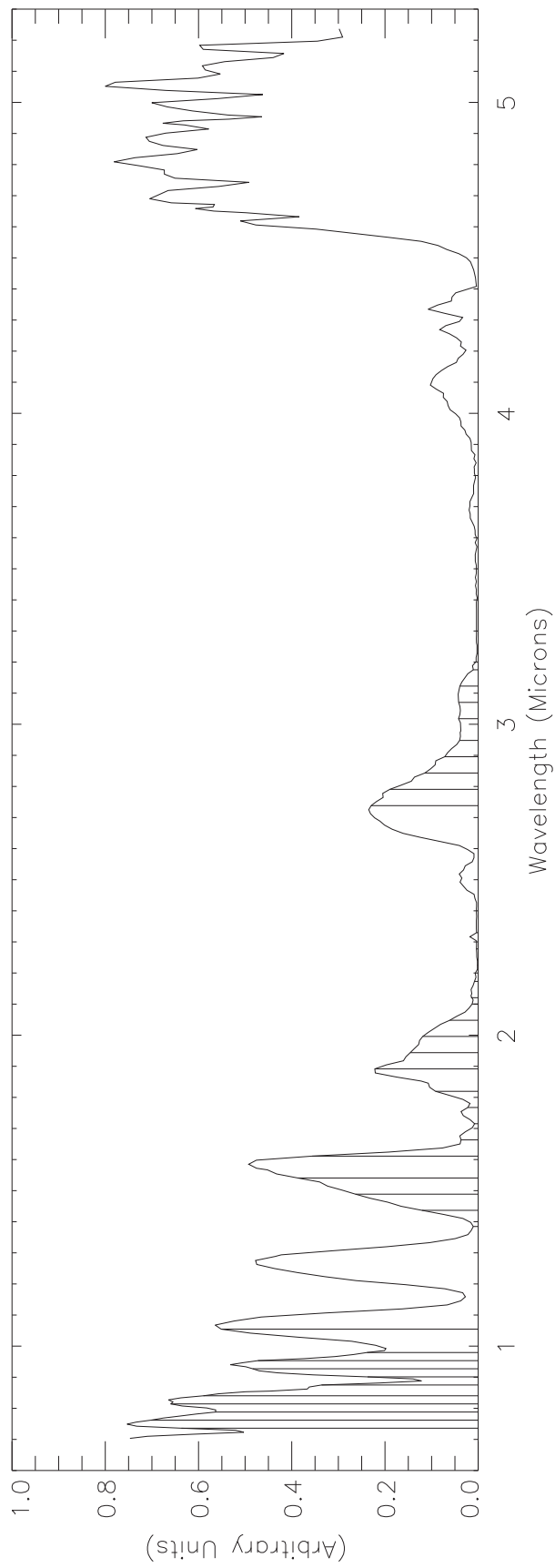
JFE360A.ETB



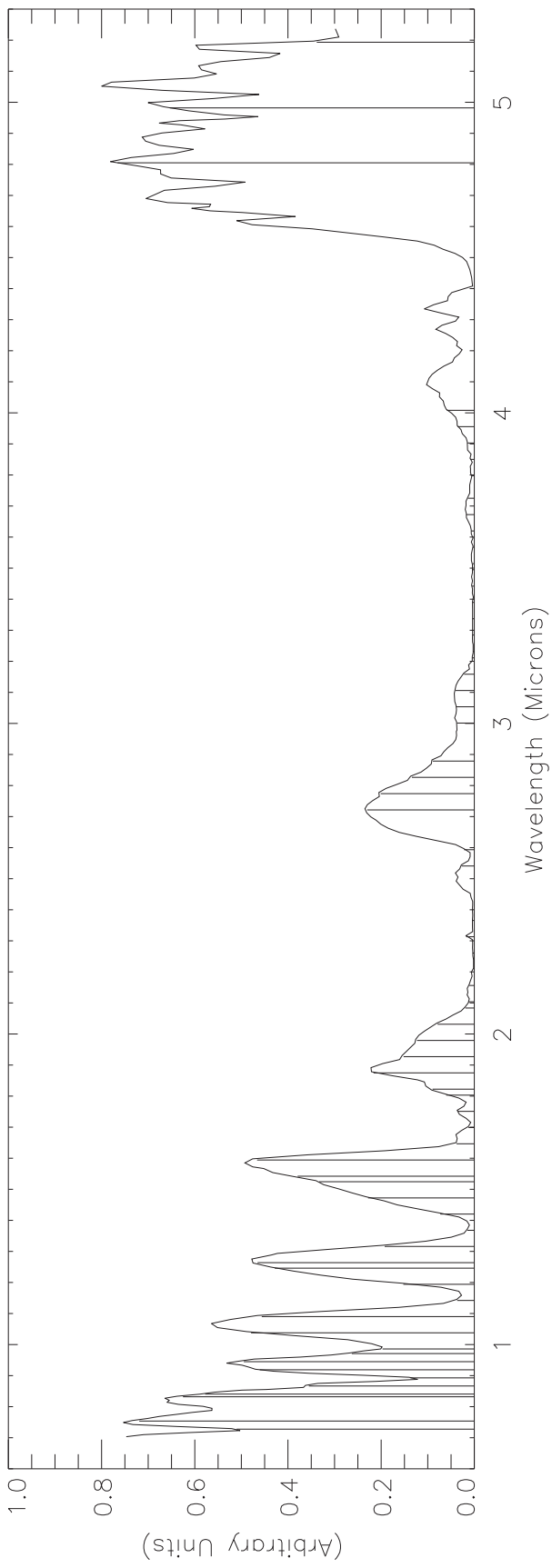
JFT68B.ETB



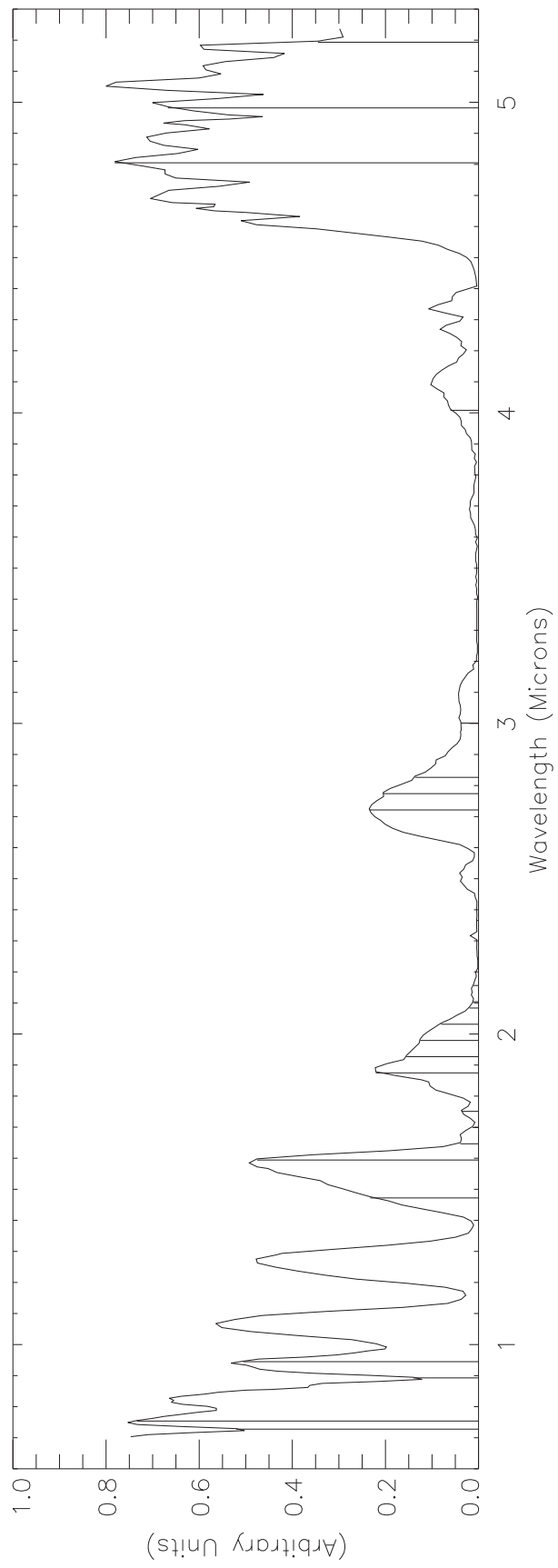
B_JFT40A.PBK



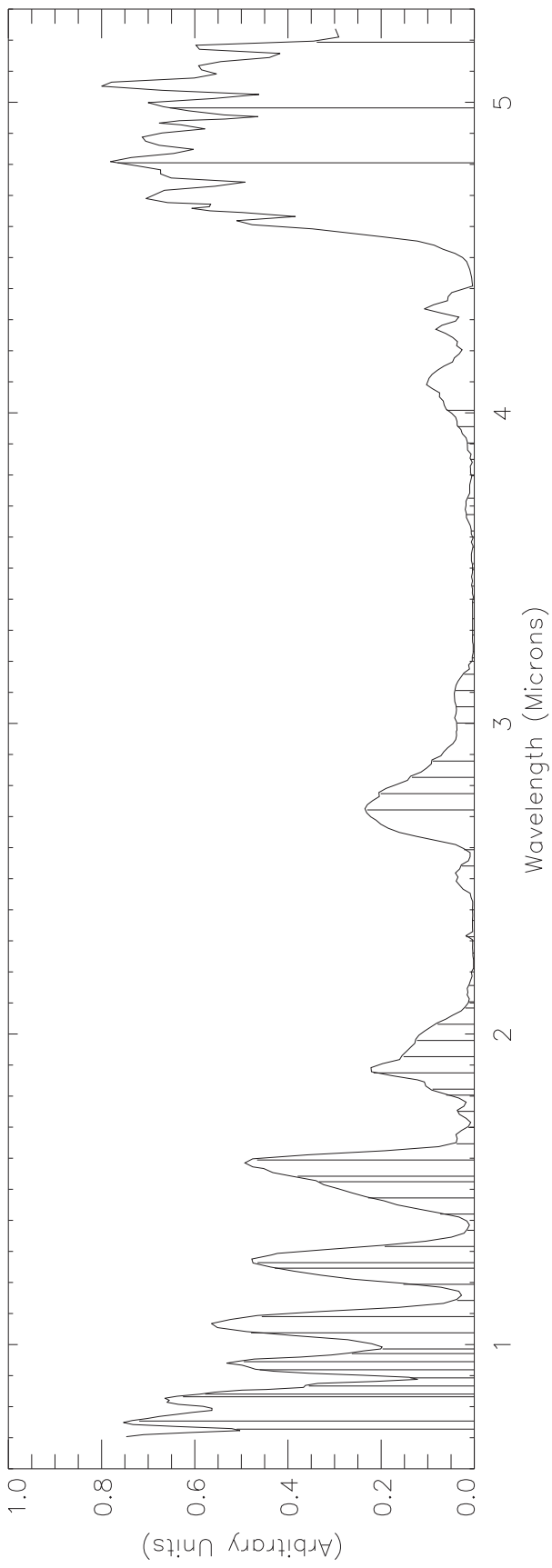
JFT68C.ETB



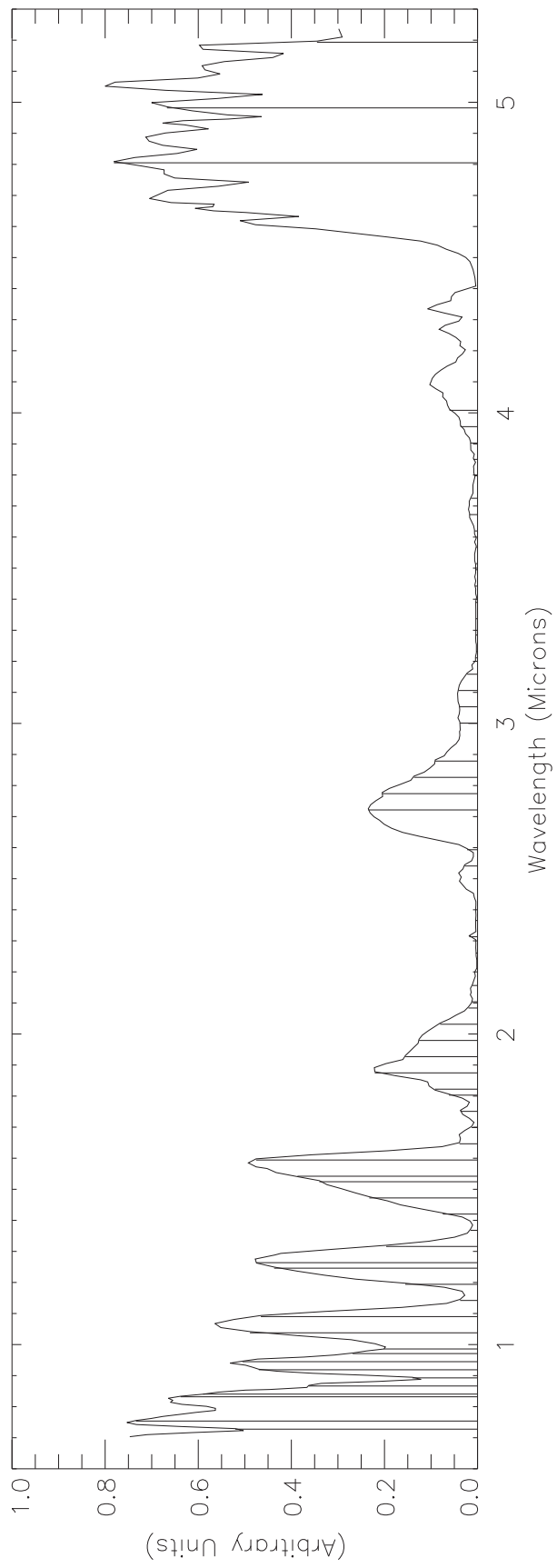
JFT25A.PBK



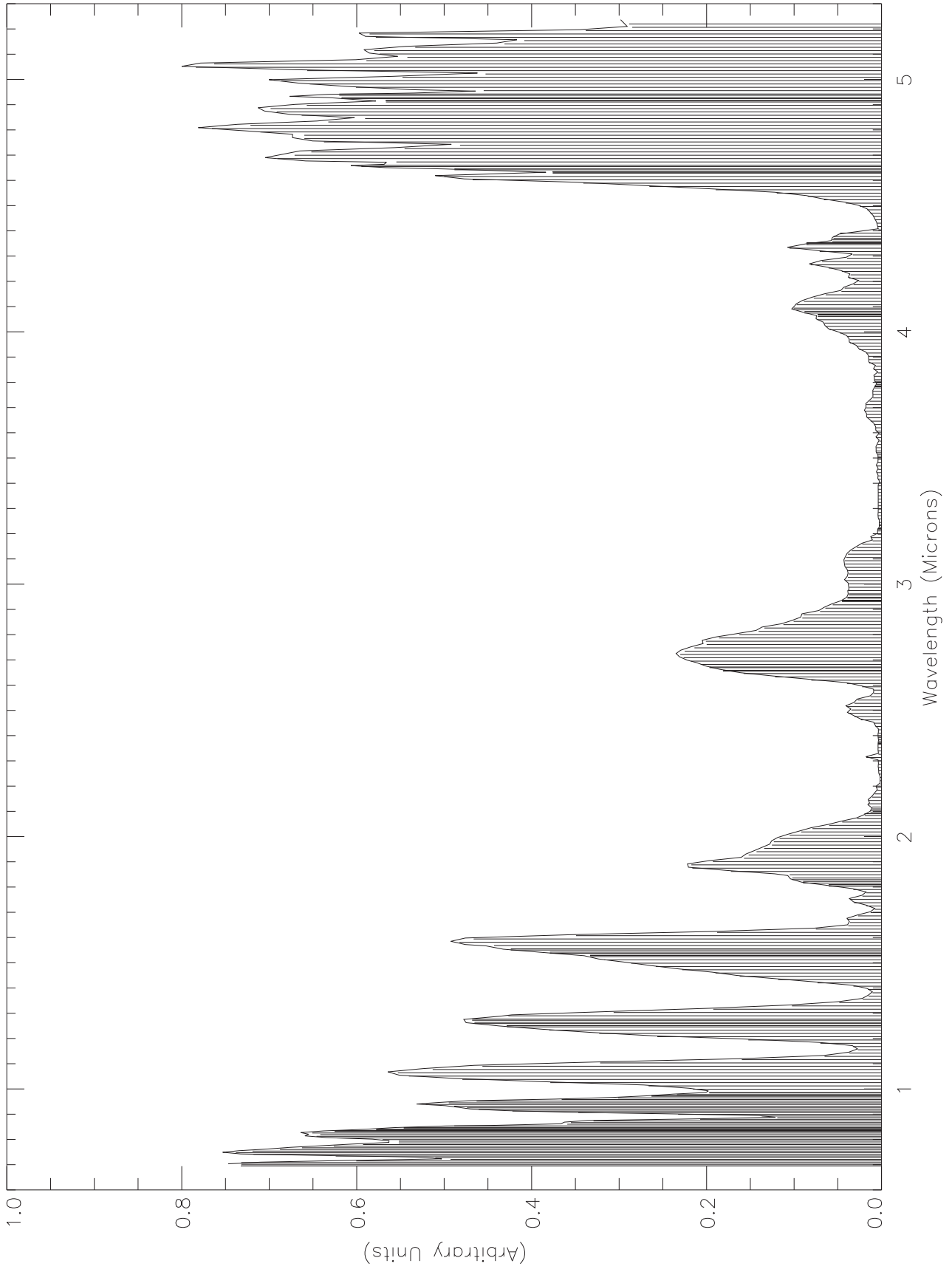
JFT68C.ETB



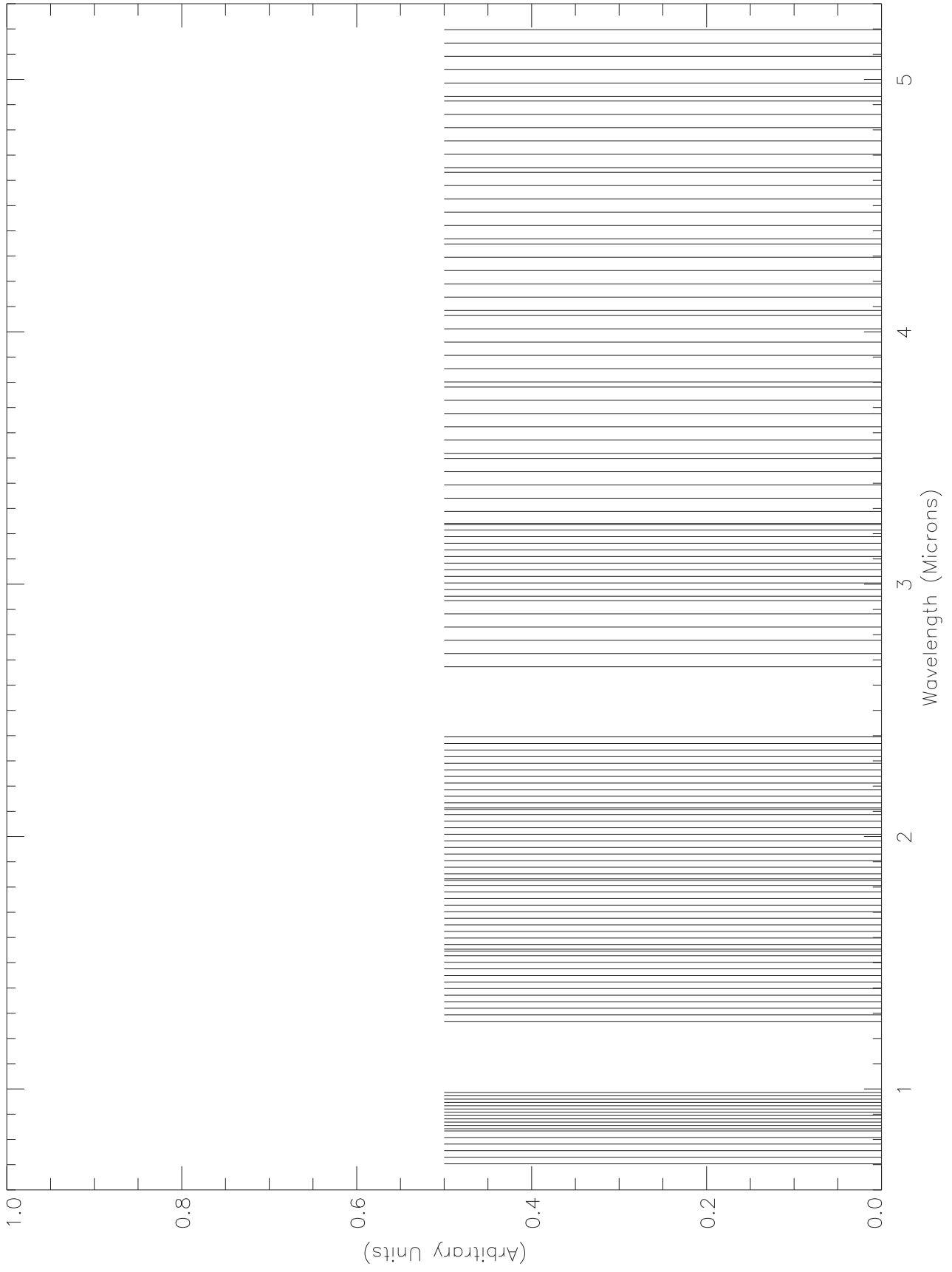
JFT68C.PBK



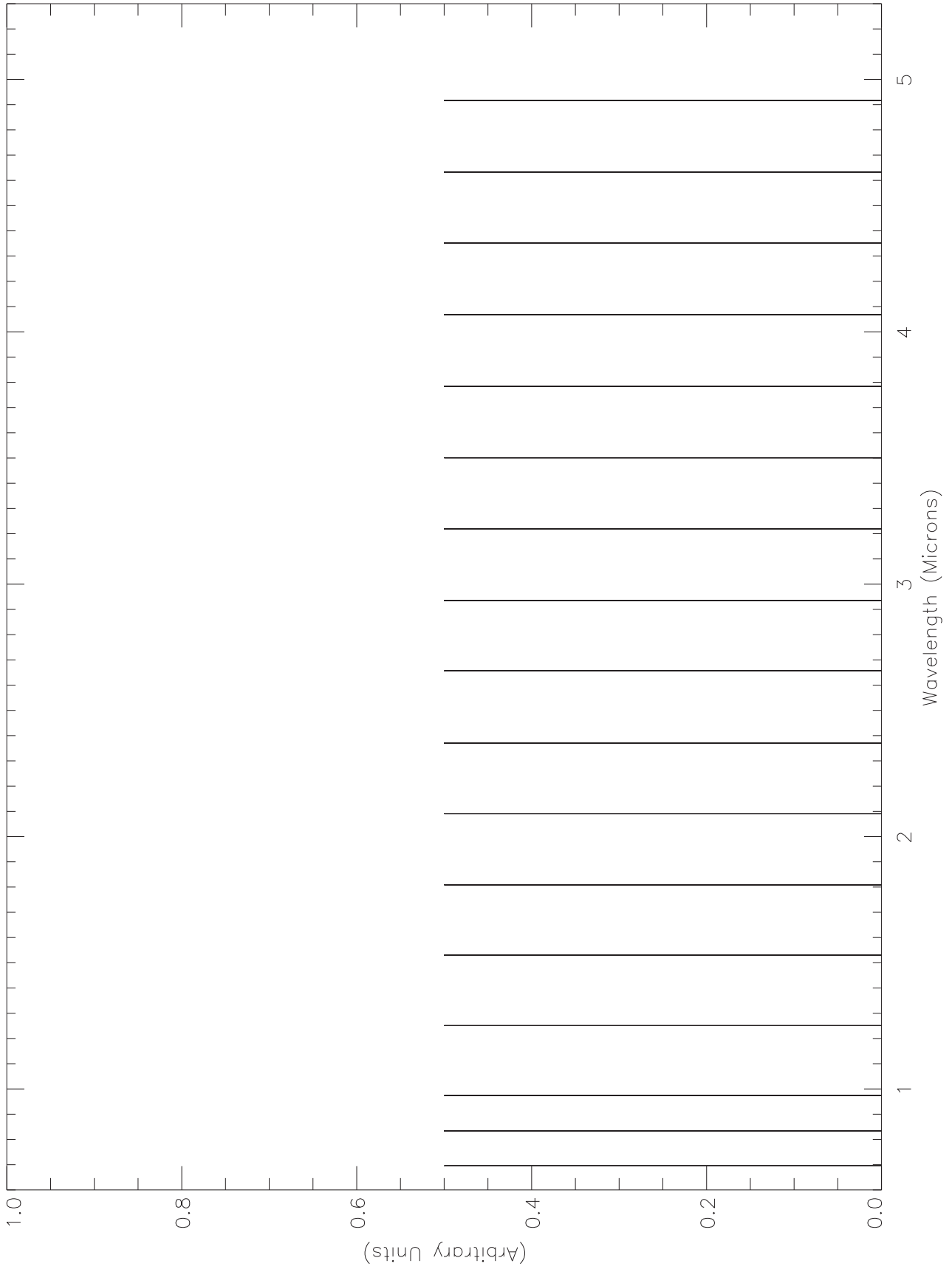
JLM442.ETB



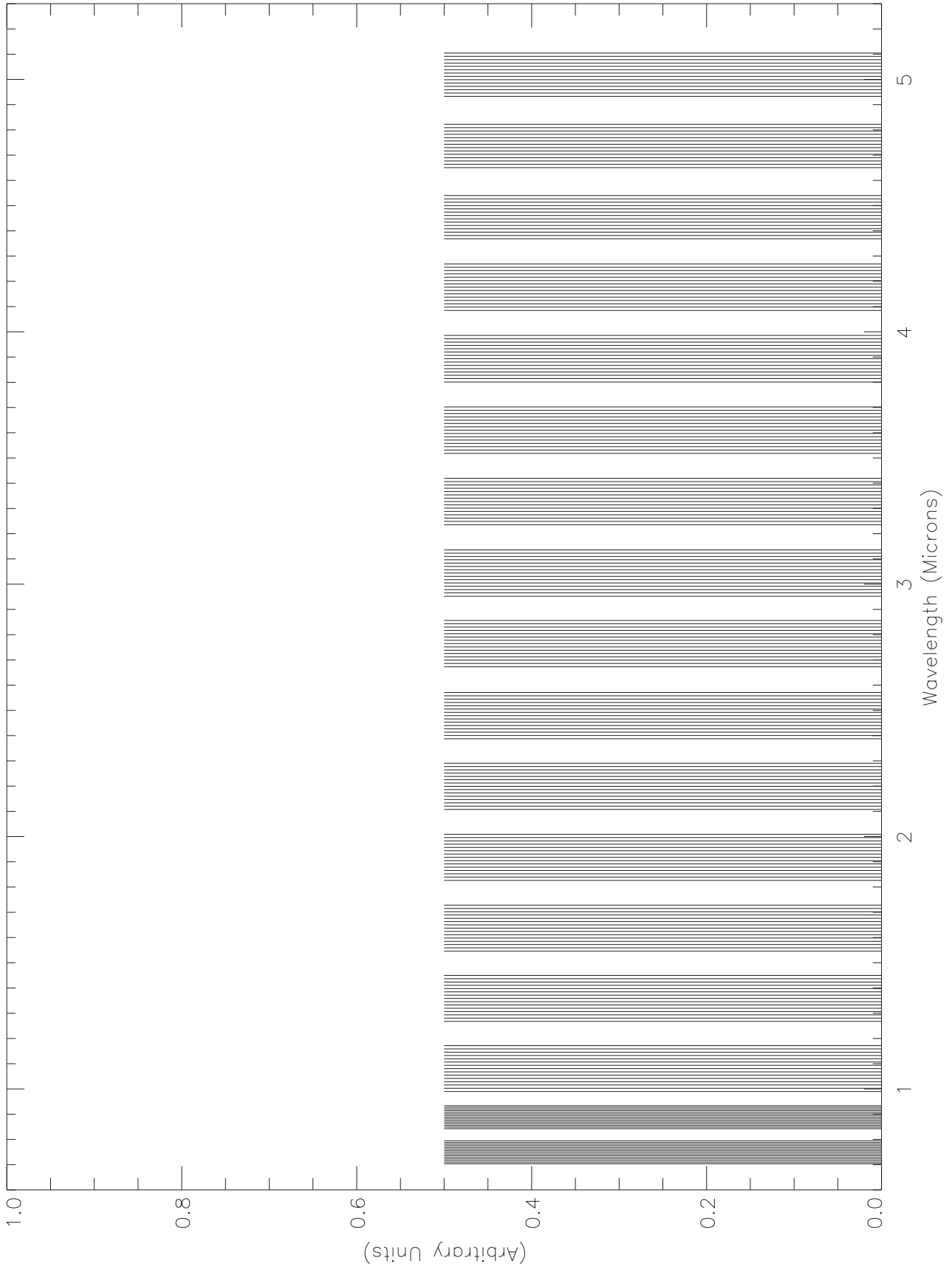
RFM126B.ETB



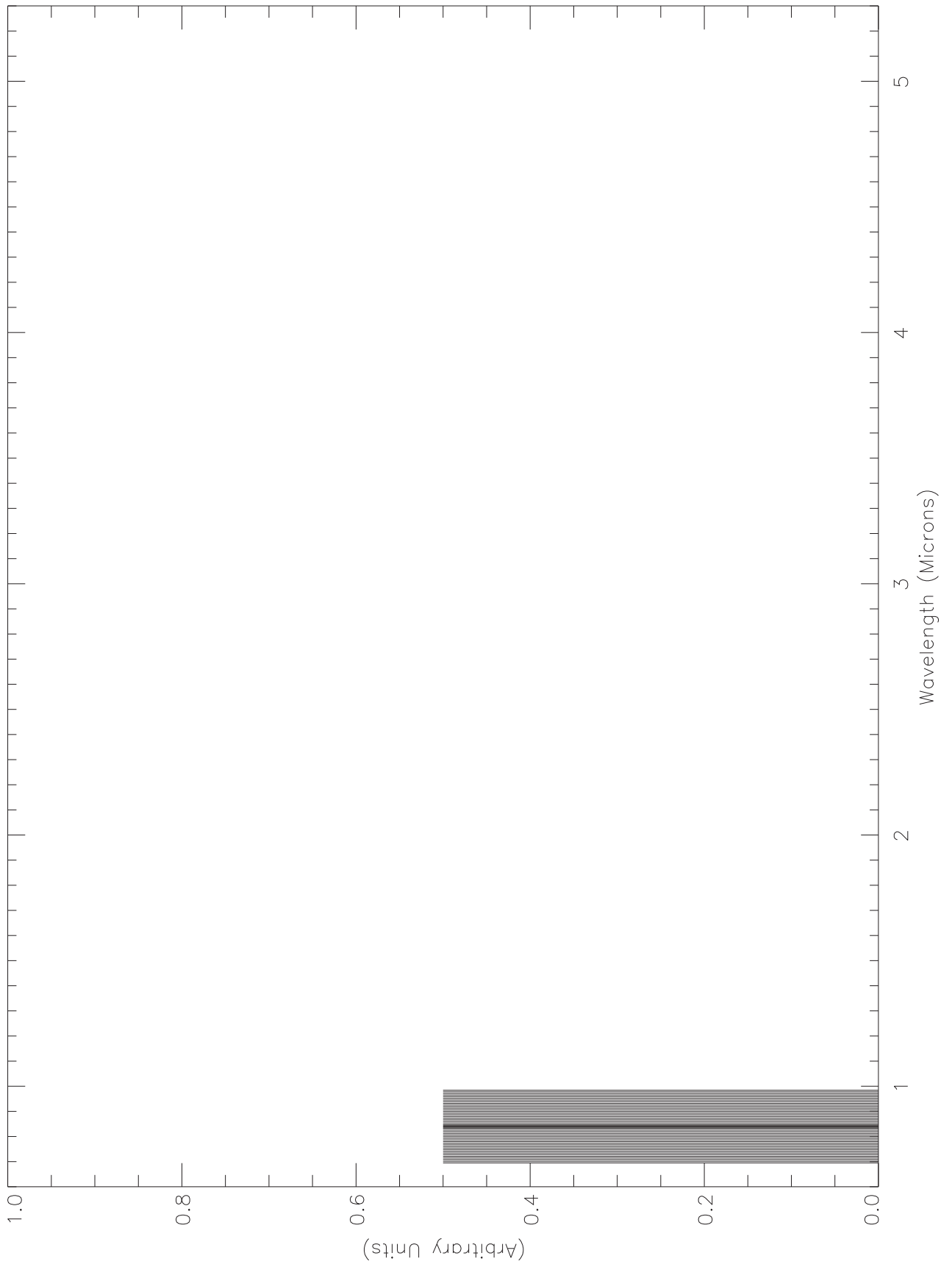
SXM17.ETB



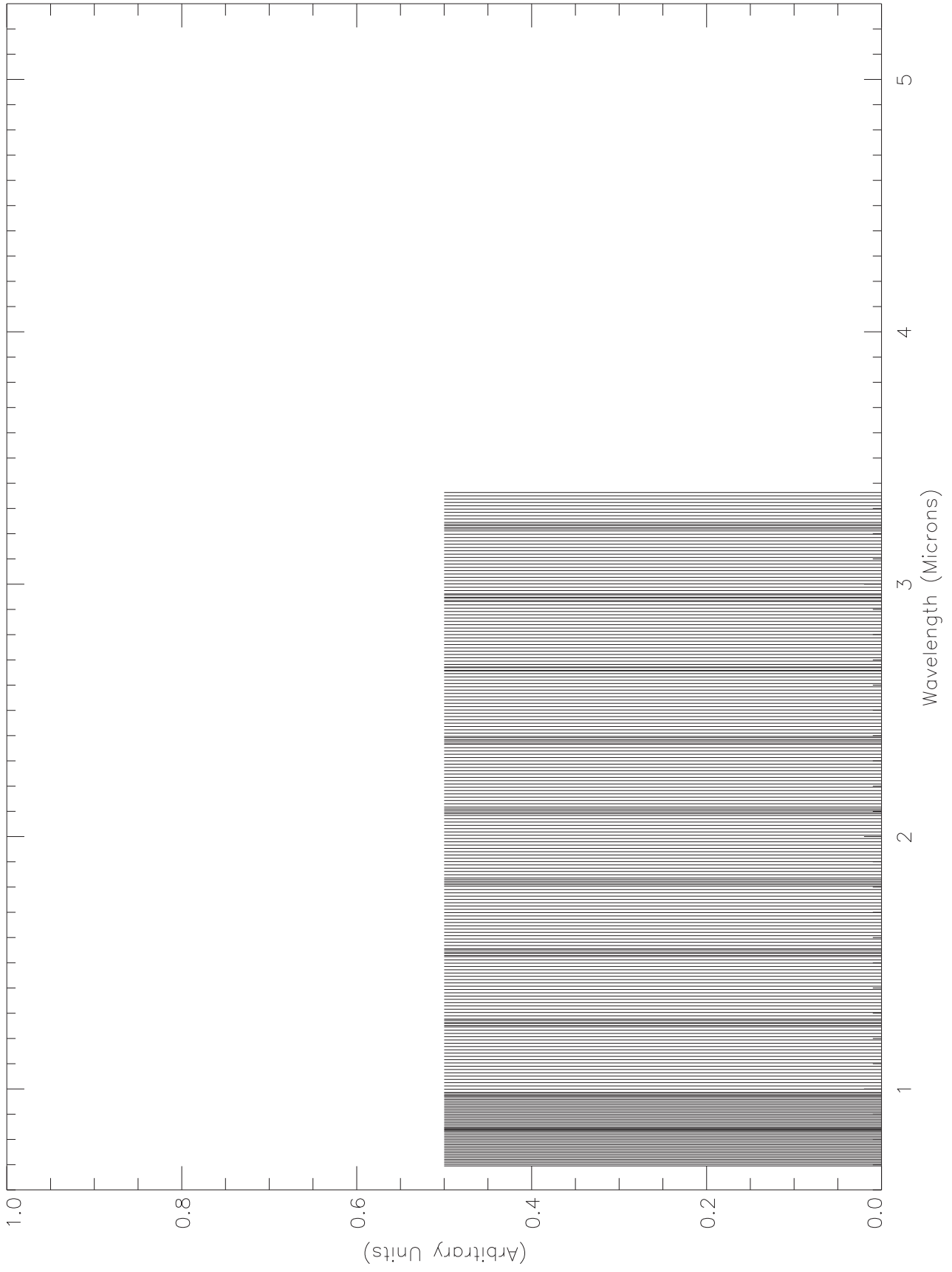
DRK252.ETB



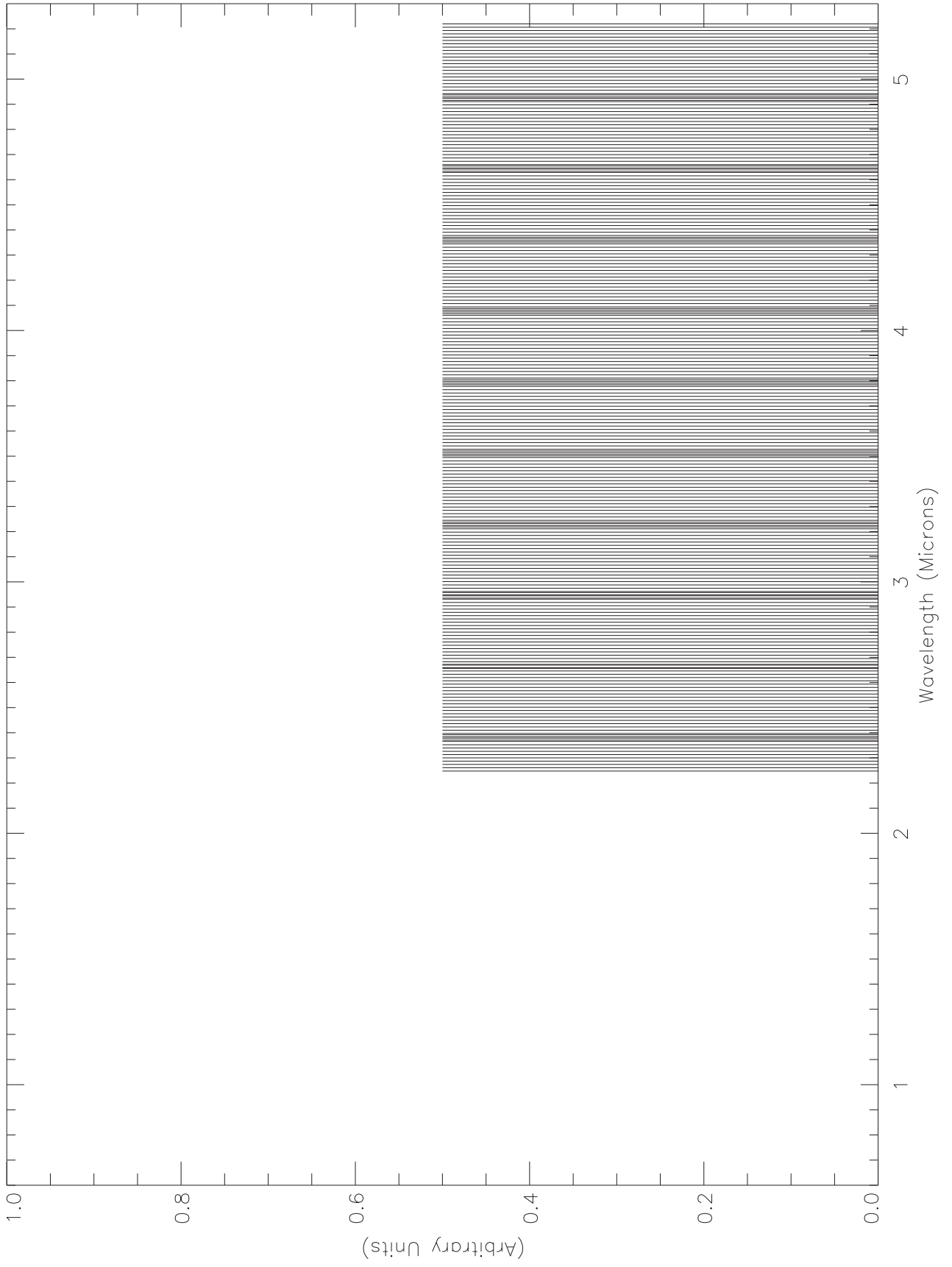
OPCAL48.ETB



PCT252.ETB



RCT252.PBK



Chapter 7 - Data Return

Contents

	Sub-Section	Page
7.0	Contents	1
7.1	Introduction to Chapter 7	2
7.2	NIMS C9 Observation Geometry Plot	3
7.3	NIMS Calibration Geometry Plot	4
7.4	Final C9 Playback Model	5-10
7.5	Recap of C9 Playback Events	11-12
7.6	Timeline of C9 Playback Events	13-16
7.7	C9 NIMS Anomaly Discussion	17-18
7.8	NIMS Archived EDRs and CUBEs	19
7.9	NIMS Data Formats, Types, Labels and Access ..	20-21
7.10	Understanding the NIMS Mask	22

Introduction to Chapter 7

This chapter is a report on the NIMS data return for the C9 orbit. Due to the low downlink data rates available for Galileo Jupiter Operations and other unforeseen and unpredictable events during the C9 Encounter and Cruise, not all NIMS data recorded on the tape recorder or selected in real-time were returned. The previous 6 chapters nominally describe the planning and intention of the NIMS observations for this orbit, except the obstab section in chapter 4 which was updated to give the latest parameters for the data that were actually returned.

Ten NIMS software reloads were inserted into the C9 Encounter sequence to protect against processor halts. During C9 only 1 NIMS observations was lost due to processor halts. The approach that we are taking to avoid data loss due to processor halts has proven to be very successful.

Detectors 3 and 8 are still not functioning and are expected to be lost for the rest of the mission. Another autobias off test was performed in an attempt to understand their malfunction.

The plots on the pages 3 and 4 show the geometry of the NIMS C9 observations using a north trajectory pole projection. The 'returned' observations are in Bold characters and the 'non-returned' in gray.

The spreadsheets on pages 5 through 10 summarize the 'final' playback model for the 'returned' data.

The text on pages 11 and 12 gives a 'recap' of the C9 playback events which affected which observations were returned.

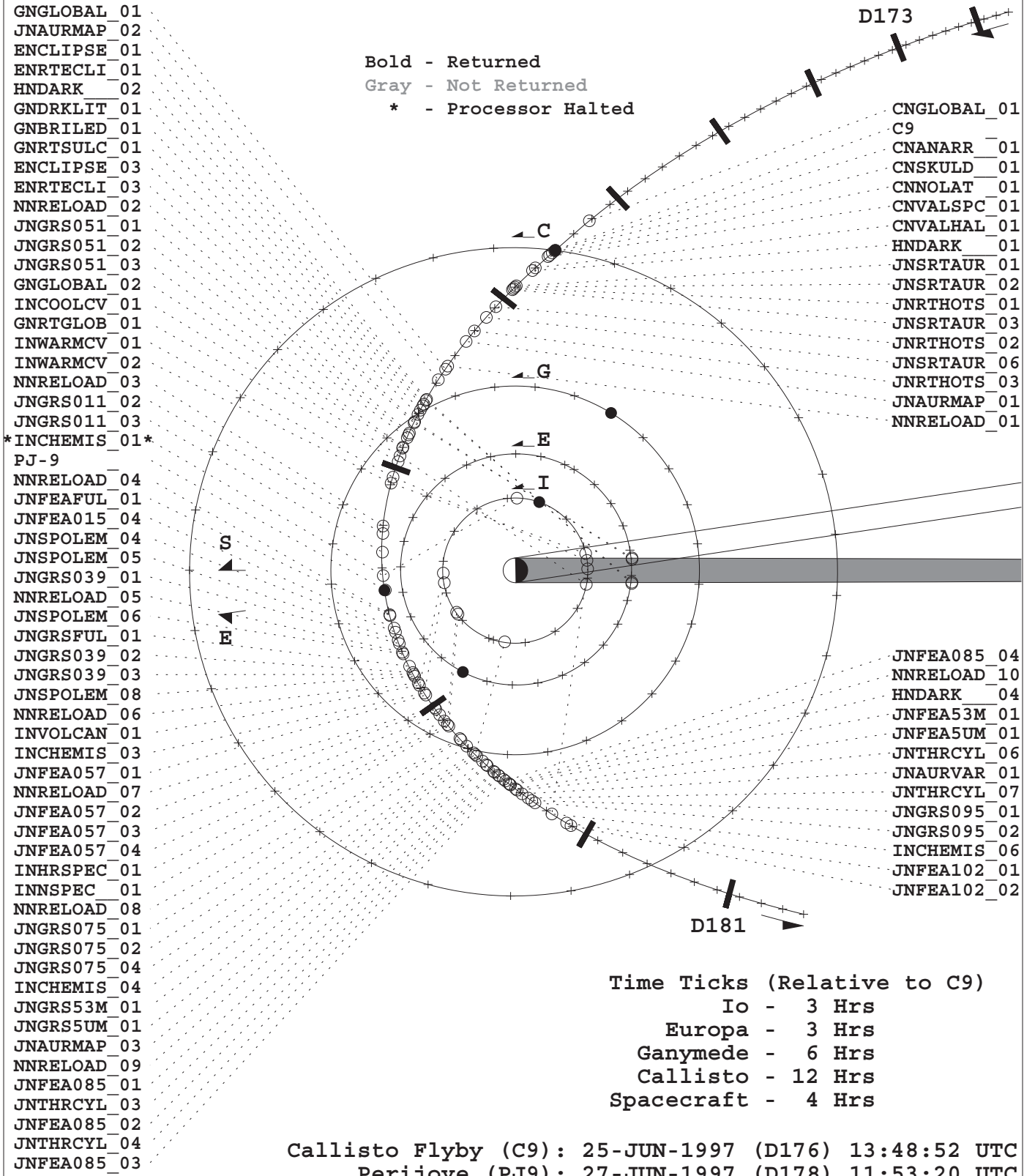
A Timeline of C9 playback events is on pages 13 through 16.

The text on pages 17 and 18 describes the C9 NIMS Anomalies.

The text on page 19 gives a brief discussion of the NIMS data files. Additional information about NIMS data formats, data types, data labels and data access is given on pages 20 and 21.

The text on page 22 is a guide to understanding the NIMS MASK.

NIMS C9 OBSERVATIONS



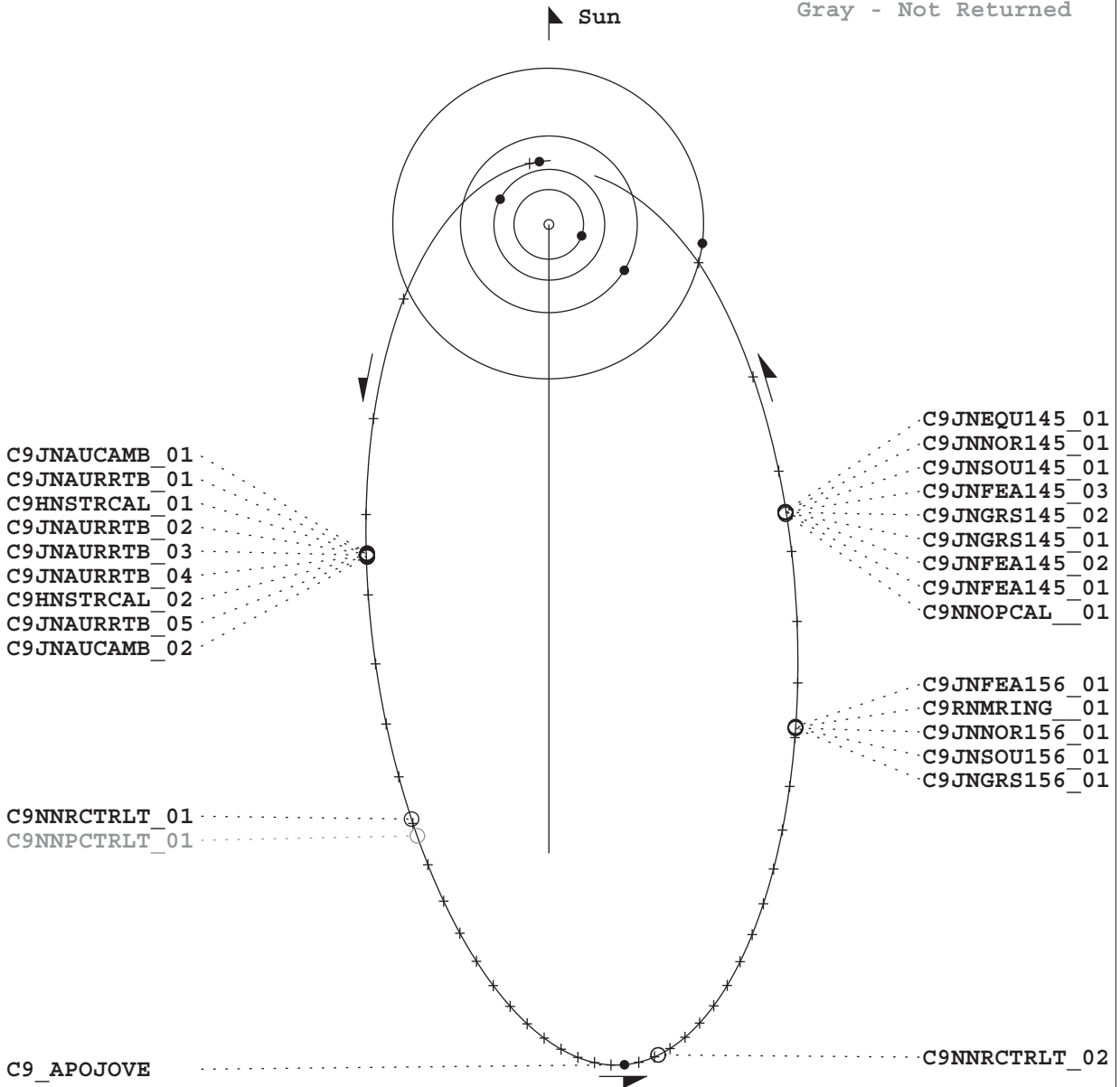
C9 North Trajectory Pole View

NIMS C9 CRUISE OBSERVATIONS

Callisto Flyby (C9): 25-JUN-1997 (D176) 13:48:52 UTC
 Perijove (PJ9): 27-JUN-1997 (D178) 11:53:20 UTC

Time Ticks (Relative to C9)
 Spacecraft - 2 Days

Bold - Returned
 Gray - Not Returned



C9 North Trajectory Pole View, Perijove to Perijove

NIMS C9 DATA RETURN

Activity ID	Observation Title	NIMS Edit		NIMS PB		Mode	Gain	Grating	Start	Offset	Record	PSID
		Table	Table	Table	Table							
C9ENCLIPSE03	- Europa Eclipse part 3	C9EFM126B	C9EFM126B	FM	4	0	4	LPU	DO			
C9ENRTECLI03	- NIMS Europa Real-Time Eclipse Obs	C9EFM204/MB	R/T	FM	4	0	4	R/T	EY			
C9JNGRS05101	- Jupiter Great Red Spot 51 degrees prt 1	C9JFT68C	C9JFT25A	SM	2	1	4	LPU	DP			
C9JNGRS05102	- Jupiter Great Red Spot 51 degrees prt 2	C9JFT68C	C9JFT25A	SM	2	1	4	LPU	DQ			
C9JNGRS05103	- Jupiter Great Red Spot 51 degrees prt 3	C9JFT68C	C9JFT25A	SM	2	1	4	LPU	DR			
C9GNGLOBAL02	- Global Surface Map	C9GLM243K	C9GLM228K	LM	4	0	4	LPU	DS			
C9INCOOLCV01	- NIMS Io Eclipse Observation (ingress)	C9B ISM68A	C9B ISM68A	SM	2	1	4	LPU	DT			
C9GNRTGLOB01+	- SSI Ride-along	C9GLM442/MB	R/T	LM	4	0	4	R/T				
C9INWARMCV01	- NIMS Io Eclipse Observation (egress)	C9B ISM68A	C9B ISM68A	SM	2	1	4	LPU	DU			
C9INWARMCV02	- NIMS Io Eclipse Obs. (post-egress)	C9B ISM68A	C9B ISM68A	SM	2	1	4	LPU	DV			
C9JNGRS01102	- Jupiter Great Red Spot 11 degrees prt 2	C9JFT68C	C9JFT68C	SM	2	1	4	LPU	DX			
C9JNGRS01103	- Jupiter Great Red Spot 11 degrees prt 3	C9JFT68C	C9JFT68C	SM	2	1	4	LPU	DY			
C9INCHEMIS01	- MONITORING OF IO'S DAYSIDE	C9ILM243C	C9ILM228C	LM	2	0	4	LPU	EA			
C9JNFEEFUL01	- Jupiter Ftr Trk Full Spectra	C9JFE253A	C9JFE253A	LM	2	0	4	LPU	EG			
C9JNFEA01504	- Jupiter Ftr Trk 15 degrees Phase part 4	C9JFT68C	C9JFT68C	SM	2	1	4	LPU	EK			
C9JNSPOLEM04	- Jupiter South Pole Map part 4	C9JFT68C	C9JFT68C	SM	2	1	4	LPU	EL			
C9JNSPOLEM05	- Jupiter South Pole Map part 5	C9JFT68C	C9JFT68C	SM	2	1	4	LPU	EM			
C9JNGRS03901	- Jupiter Great Red Spot 39 degrees prt 1	C9JFT68C	C9JFT68C	SM	2	1	4	LPU	EN			
C9JNSPOLEM06	- Jupiter South Pole Map part 6	C9JFT68C	C9JFT68C	SM	2	1	4	LPU	EO			
C9JNGRSFUL01	- Jupiter Great Red Spot Full-Spectra	C9JFE442A	C9JFE460A	LM	2	0	4	MPW	ET			
C9JNGRS03902	- Jupiter Great Red Spot 39 degrees prt 2	C9JFT68C	C9JFT68C	SM	2	1	4	LPU	EU			
C9JNGRS03903	- Jupiter Great Red Spot 39 degrees prt 3	C9JFT68C	C9JFT68C	SM	2	1	4	LPU	EV			
C9JNSPOLEM08	- Jupiter South Pole Map part 8	C9JFT68C	C9JFT68C	SM	2	1	4	LPU	EX			
C9INVOLCAN01	- MONITORING OF SELECTED VOLCANIC REGIONS	C9ILMDK243D	C9ILMDK228D	LM	4	0	4	LPU	EZ			
C9INCHEMIS03	- MONITORING OF IO'S DAYSIDE	C9ILM243C	C9ILM228C	LM	2	0	4	LPU				
C9JNFEA05701	- Jupiter Ftr Trk 57 degrees Phase part 1	C9JFT68C	C9JFT68C	SM	2	1	4	LPU	FC			
C9JNFEA05702	- Jupiter Ftr Trk 57 degrees Phase part 2	C9JFT68C	C9JFT68C	SM	2	1	4	LPU	FF			
C9JNFEA05703	- Jupiter Ftr Trk 57 degrees Phase part 3	C9JFT68C	C9JFT68C	SM	2	1	4	LPU	FG			
C9JNFEA05704	- Jupiter Ftr Trk 57 degrees Phase part 4	C9JFT68C	C9JFT68C	SM	2	1	4	LPU	FH			
C9INHRSPEC01	- HIGH SPATIAL & SPECTRAL OBS. OF IO	C9ILM442	C9ILM360	LM	2	0	4	MPW	FI			
C9INNSPEC 01	- NIGHTSIDE SPECTRA AT HIGH RESOLUTION	C9ILM442	C9ILM360	LM	4	0	4	MPW	FJ			
C9JNGRS07501	- Jupiter Great Red Spot 75 degrees prt 1	C9JFT68B	C9B JFT40A	SM	2	1	4	LPU	FK			
C9JNGRS07502	- Jupiter Great Red Spot 75 degrees prt 2	C9JFT68B	C9B JFT40A	SM	2	1	4	LPU	FL			
C9JNGRS07504	- Jupiter Great Red Spot 75 degrees prt 4	C9JFT68B	C9B JFT40A	SM	2	1	4	LPU	FN			
C9INCHEMIS04	- Monitoring of Io's Dayside and Nightside	C9ILM243C	C9ILM228C	LM	2	0	4	LPU	FO			
C9JNGRS53M01	- Jupiter Great Red Spot 5 and 3 Microns	C9J35157	C9J35157	LM	4	0	4	LPU	FP			
C9JNGRS5UM01	- Jupiter Great Red Spot 5 Micron Map	C9J35157	C9J35157	LM	4	0	4	LPU	FR			
C9JNAURMAP03+	- Jupiter UVS Ride RT	C9JLM442/MB	R/T	LM	4	0	4	R/T				
C9JNFEA08501	- Jupiter Ftr Trk 85 degrees Phase part 1	C9JFT68B	C9B JFT40A	SM	2	1	4	LPU	FS			
C9JNTHRCYL03	- Jupiter Thermal Cylindrical Map part 3	C9J5M253B	C9B J5M127B	LM	4	0	4	LPU	FT			
C9JNFEA08502	- Jupiter Ftr Trk 85 degrees Phase part 2	C9JFT68B	C9B JFT40A	SM	2	1	4	LPU	FV			
C9JNTHRCYL04	- Jupiter Thermal Cylindrical Map part 4	C9J5M253B	C9B J5M127B	LM	4	0	4	LPU	FW			

NIMS C9 DATA RETURN

Activity ID	Mode	Record	Wave- lengths	Record Time (sec)	PB Time (sec)	sel sBOT (Mbit)	Bits of Tape BOT	Total Bits of Tape BOT	Mode Cycle Time	Thold	Comp	Total (Mbtg) (4% ahead)	BTG Data	Reduct Factor	Pass
Format															
ret															
C9ENCLIPSE03-	FM	LPU	126	312	308	1.90	1.92	4.333	0	1.5	1.2420	1.53	1		
C9ENRTECLI03-	FM	R/T	204												
C9JNGRS05101-	SM	LPU	25	202	198	1.22	1.25	2.33	0	1.79	0.2469	4.95	1		
C9JNGRS05102-	SM	LPU	25	202	198	1.22	1.25	2.33	0	1.69	0.2615	4.67	1		
C9JNGRS05103-	SM	LPU	25	203	199	1.23	1.25	2.33	0	1.56	0.2847	4.31	1		
C9GNGLOBAL02-	LM	LPU	228	1210	1206	7.44	7.46	8.667	0	1.31	5.0374	1.48	1		
C9INCOOLCV01-	SM	LPU	68	527	523	3.23	3.25	2.33	0	1.55	2.0483	1.57	1		
C9GNRTGLOB01+	LM	R/T	408						0						
C9INWARMCV01-	SM	LPU	68	476	472	2.91	2.94	2.33	0	1.44	1.9897	1.46	1		
C9INWARMCV02-	SM	LPU	68	302	298	1.84	1.86	2.33	0	1.29	1.4023	1.31	1		
C9JNGRS01102-	SM	LPU	68	204	200	1.23	1.26	2.33	0	1.5	0.8094	1.52	1		
C9JNGRS01103-	SM	LPU	68	204	200	1.23	1.26	2.33	0	1.43	0.8490	1.45	1		
C9INCHEMIS01-	LM	LPU	228	125	121	0.75	0.77	8.667	0	3.5	0.1892	3.95	1		
C9JNFEEFUL01-	LM	LPU	253	262	258	1.59	1.62	8.667	0	1.39	1.1270	1.41	1		
C9JNFEA01504-	SM	LPU	68	204	200	1.23	1.26	2.33	0	1.48	0.8203	1.50	1		
C9JNSPOLEM04-	SM	LPU	68	393	389	2.40	2.42	2.33	0	1.53	1.5434	1.55	1		
C9JNSPOLEM05-	SM	LPU	68	393	389	2.40	2.42	2.33	0	1.52	1.5535	1.54	1		
C9JNGRS03901-	SM	LPU	68	204	200	1.23	1.26	2.33	0	1.5	0.8094	1.52	1		
C9JNSPOLEM06-	SM	LPU	68	393	389	2.40	2.42	2.33	0	1.57	1.5041	1.60	1		
C9JNGRSFUL01-	LM	MPW	360	262	258	2.97	3.02	8.667	0	1.45	1.5373	1.93	1		
C9JNGRS03902-	SM	LPU	68	204	200	1.23	1.26	2.33	0	1.52	0.7987	1.54	1		
C9JNGRS03903-	SM	LPU	68	204	200	1.23	1.26	2.33	0	1.53	0.7935	1.55	1		
C9JNSPOLEM08-	SM	LPU	68	393	389	2.40	2.42	2.33	0	1.51	1.5638	1.53	1		
C9INVOLCAN01-	LM	LPU	228	97	93	0.57	0.60	8.667	0	1.31	0.3885	1.48	1		
C9INCHEMIS03-	LM	LPU	228	204	200	1.23	1.26	8.667	0	1.4	0.7817	1.58	1		
C9JNFEA05701-	SM	LPU	68	694	690	4.26	4.28	2.33	0	1.64	2.5540	1.67	1		
C9JNFEA05702-	SM	LPU	68	204	200	1.23	1.26	2.33	0	1.62	0.7494	1.65	1		
C9JNFEA05703-	SM	LPU	68	204	200	1.23	1.26	2.33	0	1.64	0.7403	1.67	1		
C9JNFEA05704-	SM	LPU	68	209	205	1.26	1.29	2.33	0	1.8	0.6913	1.83	1		
C9INHRSPEC01-	LM	MPW	360	155	151	1.74	1.79	8.667	2	1.57	0.8309	2.09	1		
C9INNSPEC 01-	LM	MPW	360	125	121	1.39	1.44	8.667	2	2.14	0.4885	2.85	1		
C9JNGRS07501-	SM	LPU	40	204	200	1.23	1.26	2.33	0	1.97	0.3625	3.40	1		
C9JNGRS07502-	SM	LPU	40	204	200	1.23	1.26	2.33	0	2.29	0.3119	3.96	1		
C9JNGRS07504-	SM	LPU	40	304	200	1.23	1.88	2.33	0	2.47	0.2891	4.27	1		
C9INCHEMIS04-	LM	LPU	228	304	300	1.85	1.88	8.667	2	1.94	0.8462	2.19	1		
C9JNGRS53M01-	LM	LPU	157	550	546	3.37	3.39	8.667	0	1.44	1.4286	2.36	1		
C9JNGRS5UM01-	LM	LPU	157	550	546	3.37	3.39	8.667	0	1.56	1.3187	2.55	1		
C9JNAURMAP03+	LM	R/T	408												
C9JNFEA08501-	SM	LPU	40	204	200	1.23	1.26	2.33	0	2.24	0.3188	3.87	1		
C9JNTHRCYL03-	LM	LPU	127	1195	1191	7.35	7.37	8.667	0	1.61	2.2547	3.26	1		
C9JNFEA08502-	SM	LPU	40	204	200	1.23	1.26	2.33	0	2.22	0.3217	3.83	1		
C9JNTHRCYL04-	LM	LPU	127	1195	1191	7.35	7.37	8.667	0	1.6	2.2688	3.24	1		

NIMS C9 DATA RETURN

Activity ID	Observation Title	NIMS Edit		NIMS PB	Mode	Gain	Grating	Grating	Record	PSID	
		Table	Table								Start
C9JNFEA08503	- Jupiter Ftr Trk 85 degrees Phase part 3	C9JFT68B	C9B	JFT40A	SM	2	1	4	LPU	FY	
C9JNFEA08504	- Jupiter Ftr Trk 85 degrees Phase part 4	C9JFT68B	C9B	JFT40A	SM	2	1	4	LPU	FZ	
C9NHNDARK 04	- NIMS Dark Observation	C9DRK252	C9DRK252		LM	3	0	4	LPU	LB	
C9JNFEA53M01	- Jupiter Ftr Trk 5 and 3 Micron Map	C9J35157	C9J35157		LM	4	0	4	LPU	LC	
C9JNFEA5UM01	- Jupiter Ftr Trk 5 Micron Map	C9J35157	C9J35157		LM	4	0	4	LPU	LD	
C9JNTHRCYL06	- Jupiter Thermal Cylindrical Map part 6	C9J5M253B	C9B	J5M127B	LM	4	0	4	LPU	LE	
C9JNAURVAR01+	- Jupiter UVS Ride RT	C9JLM442/MB	R/T		LM	4	0	4	R/T		
C9JNTHRCYL07	- Jupiter Thermal Cylindrical Map part 7	C9J5M253B	C9B	J5M127B	LM	4	0	4	LPU	LF	
C9JNGRS09501	- Jupiter Great Red Spot 95 degrees prt 1	C9JFT68C	C9JFT68C		SM	2	1	4	LPU	LG	
C9JNGRS09502	- Jupiter Great Red Spot 95 degrees prt 2	C9JFT68C	C9JFT68C		SM	2	1	4	LPU	LI	
C9INCHEMIS06	- Monitoring of Io's Dayside and Nightside	C9ILM243C	C9ILM228C		LM	2	0	4	LPU	LK	
C9JNFEA10201	- Jupiter Ftr Trk 102 deg Phase part 1	C9JFT68C	C9JFT68C		SM	2	1	4	LPU	LQ	
C9JNFEA10202	- Jupiter Ftr Trk 102 deg Phase part 2	C9JFT68C	C9JFT68C		SM	2	1	4	LPU	LR	
C9CNGLOBAL01	- CALLISTO GLOBAL COVERAGE	C9CLM243C	C9CLM228C		LM	4	0	4	LPU	DC	
C9CNANARR 01	- Anarr Crater Coverage	C9CLM442	C9CLM360		LM	4	0	4	MPW	DD	
C9CNSKULD 01	- STUDY OF A BRIGHT CRATER	C9CLM243C	C9CLM228C		LM	4	0	4	LPU	DE	
C9CNSNOLAT 01	- North Latitude Coverage	C9CLM243C	C9CLM228C		LM	4	0	4	LPU	DF	
C9CNSVALSPC01	- Valhalla Spectral Scan	C9CLM243C	C9CLM228C		LM	4	0	4	LPU	DG	
C9CNVALHAL01	- Valhalla Multi-Ring Structure Obs	C9CLM243C	C9CLM228C		LM	4	0	4	LPU	DH	
C9NHNDARK 01	- NIMS Dark Observation	C9DRK252	C9DRK252		LM	4	0	4	LPU	DB	
C9JNSRTAUR01	- NIMS Jupiter Real-Time Aurora Obs	C9JLM442/MB	R/T		LM	4	0	4	R/T	FE	
C9JNSRTAUR02	- NIMS Jupiter Real-Time Aurora Obs	C9JLM442/MB	R/T		LM	4	0	4	R/T	FQ	
C9JNRTHOTS01	- NIMS Real-Time Hotspot Obs	C9JLM442/MB	R/T		LM	4	0	4	R/T	MB	
C9JNSRTAUR03	- NIMS Jupiter Real-Time Aurora Obs	C9JLM442/MB	R/T		LM	4	0	4	R/T	FU	
C9JNRTHOTS02	- NIMS Real-Time Hotspot Obs	C9JLM442/MB	R/T		LM	4	0	4	R/T	MC	
C9JNSRTAUR06	- NIMS Jupiter Real-Time Aurora Obs	C9JLM442/MB	R/T		LM	4	0	4	R/T	DM	
C9JNRTHOTS03	- NIMS Real-Time Hotspot Obs	C9JLM442/MB	R/T		LM	4	0	4	R/T	MD	
C9JNAURMAP01+	- Jupiter UVS Ride RT	C9JLM442/MB	R/T		LM	4	0	4	R/T		
C9GNGLOBAL01	- Global Surface Map	C9GLM243K	C9GLM228K		LM	3	0	4	LPU	DI	
C9JNAURMAP02+	- Jupiter UVS Ride RT	C9JLM442/MB	R/T		LM	4	0	4	R/T		
C9ENCLIPSE01	- Europa Eclipse part 1	C9EFM126B	C9EFM126B		FM	4	0	4	LPU	DJ	
C9ENRTECLI01	- NIMS Europa Real-Time Observation	C9EFM204/MB	R/T		FM	4	0	4	R/T	ME	
C9NHNDARK 02	- NIMS Dark Observation	C9DRK252	C9DRK252		LM	2	0	4	LPU	DK	
C9GNDRKLIT01	- Dark and Light transition	C9GLM243K	C9GLM228K		LM	3	0	4	LPU	DL	
C9GNBRILED01	- Bright endmember lead hemisphere	C9GLM243K	C9GLM228K		LM	3	0	4	LPU	DN	
C9GNRITSULC01+	- SSI Ride-Along Real Time	C9GLM442/MB	R/T		LM	3	0	4	R/T	EQ	
C9NNAUCAMB01	- Auroral Campaign B Map No. 1	C9B	JAU126A	C9B	JAU126A	FM	4	1	4	LPU	MR
C9NNAURRTB01	- Auroral Campaign B Real-Time No. 1	C9JLM442/MB	R/T		LM	4	0	4	R/T	MS	
C9HNSTRCAL01	- Star Calibration	SXM17	R/T		XM	4	0-11	4	R/T		
C9NNAURRTB02	- Auroral Campaign B Real-Time No. 2	C9JLM442/MB	R/T		LM	4	0	4	R/T	MU	

NIMS C9 DATA RETURN

Activity ID	Mode	Record Format	Wave-lengths	Record Time (sec)	PB Time (sec)	Sel Bits of Tape (Mbit)	Total Bits of Tape (Mbit)	Mode Cycle Time	Thold	Comp	Total (Mbtg)	BTG Data (sBOT/BTG)	Reduct Factor	Pass
C9JNFEA08503-	SM	LPU	40	204	200	1.23	1.26	2.33	0	2.48	0.2880	4.28	1	
C9JNFEA08504-	SM	LPU	40	204	200	1.23	1.26	2.33	0	2.83	0.2524	4.89	1	
C9HNDARK 04	LM	LPU	252	64	60	0.37	0.39	8.667	0	2.34	0.1551	2.39	1	
C9JNFEA53M01-	LM	LPU	157	715	711	4.39	4.41	8.667	0	1.75	1.5308	2.86	1	
C9JNFEA5UM01-	LM	LPU	157	550	546	3.37	3.39	8.667	0	1.77	1.1623	2.90	1	
C9JNTHRCYL06-	LM	LPU	127	1339	1335	8.23	8.26	8.667	0	1.5	2.7126	3.04	1	
C9JNAURVAR01+	LM	R/T	408											
C9JNTHRCYL07-	LM	LPU	127	1295	1291	7.96	7.99	8.667	0	1.54	2.5551	3.12	1	
C9JNGRS09501-	SM	LPU	68	204	200	1.23	1.26	2.33	0	2.11	0.5754	2.14	1	
C9JNGRS09502-	SM	LPU	68	391	387	2.39	2.41	2.33	0	2.35	0.9997	2.39	1	
C9INCHEMIS06-	LM	LPU	228	224	155	0.96	1.38	8.667	2	4.37	0.1941	4.93	1	
C9JNFEA10201-	SM	LPU	68	204	200	1.23	1.26	2.33	0	2.05	0.5922	2.08	1	
C9JNFEA10202-	SM	LPU	68	204	200	1.23	1.26	2.33	0	2.3	0.5279	2.34	1	
C9CNGLOBAL01-	LM	LPU	228	2004	2000	12.34	12.36	8.667	2	2.36	4.6371	2.66	2	
C9CNANARR 01-	LM	MPW	360	604	300	3.46	6.96	8.667	0	1.94	1.3360	2.59	2,3	
C9CNSKULD 01-	LM	LPU	228	604	300	1.85	3.73	8.667	0	1.95	0.8418	2.20	2,3	
C9CNNOLAT 01-	LM	LPU	228	649	320	1.97	4.00	8.667	2	1.79	0.9782	2.02	2,3	
C9CNVALSPC01-	LM	LPU	228	404	200	1.23	2.49	8.667	0	1.75	0.6253	1.97	2,3	
C9CNVALHAL01-	LM	LPU	228	1720	858	5.29	10.61	8.667	2	1.85	2.5377	2.09	2,3	
C9HNDARK 01	LM	LPU	252	64	60	0.37	0.39	8.667	0	2.16	0.1680	2.20	2	
C9JNSRTAUR01-	LM	R/T	408											
C9JNSRTAUR02-	LM	R/T	408											
C9JNRTHOTS01-	LM	R/T	408											
C9JNSRTAUR03-	LM	R/T	408											
C9JNRTHOTS02-	LM	R/T	408											
C9JNSRTAUR06-	LM	R/T	408											
C9JNRTHOTS03-	LM	R/T	408											
C9JNAURMAP01+	LM	R/T	408											
C9GNGLOBAL01-	LM	LPU	228	2887	2883	17.78	17.81	8.667	2	1.84	8.5735	2.07	2	
C9JNAURMAP02+	LM	R/T	408											
C9ENCLIPSE01-	FM	LPU	126	312	308	1.90	1.92	4.333	0	1.66	1.1222	1.69	2	
C9ENRTECLI01-	FM	R/T	204											
C9HNDARK 02	LM	LPU	252	64	60	0.37	0.39	8.667	0	1.93	0.1880	1.97	2	
C9GNDRKLIT01-	LM	LPU	228	1753	1749	10.79	10.81	8.667	0	1.53	6.2550	1.72	2	
C9GNBRILLED01-	LM	LPU	228	682	678	4.18	4.21	8.667	0	1.58	2.3480	1.78	2	
C9GNRTSUCLO1+	LM	R/T	408											
C9JNAUCAMB01	FM	LPU	126	312	308	1.90	1.92	4.333	0	2.15	0.8665	2.19	2	
C9JNAURRTB01	LM	R/T	408											
C9HNSTRCAL01-	LM	R/T	17											
C9JNAURRTB02	LM	R/T	408											

NIMS C9 DATA RETURN

Activity ID	Observation Title	NIMS Edit		NIMS PB		Mode	Gain	Grating	Start	Offset	Record	PSID
		Table	Table	Table	Table							
C9NNAURRTB03	Auroral Campaign B Real-Time No. 3	C9JLM442/MB	R/T	LM	4	0	4	R/T	MV			
C9NNAURRTB04	Auroral Campaign B Real-Time No. 4	C9JLM442/MB	R/T	LM	4	0	4	R/T	MW			
C9HNSTRCAL02	Star Calibration	SXM17	R/T	XM	4	12-23	4	R/T				
C9NNAURRTB05	Auroral Campaign B Real-Time No. 5	C9JLM442/MB	R/T	LM	4	0	4	R/T	MX			
C9NNAUCAMB02	Auroral Campaign B Map No. 2	C9B JAU126A	C9B JAU126A	FM	4	1	4	LPU	MT			
C9NNRCTRLT01	NIMS RCT Calibration	C9RCT252	R/T	LM	1	0	4	R/T	LT			
C9NNRCTRLT02	NIMS RCT Calibration	C9RCT252	R/T	LM	1	0	4	R/T	LT			
C9CNANARR 01	Anarr Crater Coverage	C9CLM442	C9CLM360	LM	4	0	4	MPW	DD			
C9CNSKULD 01	STUDY OF A BRIGHT CRATER	C9CLM243C	C9CLM228C	LM	4	0	4	LPU	DE			
C9CNNOLAT 01	North Latitude Coverage	C9CLM243C	C9CLM228C	LM	4	0	4	LPU	DF			
C9CNVALSPC01	Valhalla Spectral Scan	C9CLM243C	C9CLM228C	LM	4	0	4	LPU	DG			
C9CNVALHAL01	Valhalla Multi-Ring Structure Obs	C9CLM243C	C9CLM228C	LM	4	0	4	LPU	DH			
C9GNGLOBAL01	Global Surface Map	C9GLM243K	C9GLM228K	LM	3	0	4	LPU	DI			
C9GNDRKLIT01	Dark and Light transition	C9GLM243K	C9GLM228K	LM	3	0	4	LPU	DL			
C9JNGRS15601	Jupiter Great Red Spot 156 Degrees	C9JFT68C	C9JFT68C	SM	2	1	4	LPU	LJ			
C9JNSOU15601	Jupiter Southern Hemisphere 156 Degrees	C9JFT68C	C9JFT68C	SM	2	1	4	LPU	LL			
C9JNNOR15601	Jupiter Northern Hemisphere 156 Degrees	C9JFT68C	C9JFT68C	SM	2	1	4	LPU	LM			
C9RNMRRING 01	Sit and Stare Ring Observation	C9RFM126B	C9RFM126B	FM	4	0	4	LPU	DZ			
C9JNFEA15601	Jupiter Feature 156 Degrees Phase	C9JFT68C	C9JFT68C	SM	2	1	4	LPU	LO			
C9NNOPCAL 01	NIMS OPCAL	C9OPCAL48	R/T	LM	4	0	4	R/T				
C9JNFEA14501	Jupiter Feature 145 Degrees Phase prt 1	C9JFT68C	C9JFT68C	SM	2	1	4	LPU	LP			
C9JNFEA14502	Jupiter Feature 145 Degrees Phase prt 2	C9JFT68C	C9JFT68C	SM	2	1	4	LPU	LS			
C9JNGRS14501	Jupiter GRS 145 Degree Phase prt 1	C9JFT68C	C9JFT68C	SM	2	1	4	LPU	FB			
C9JNGRS14502	Jupiter GRS 145 Degree Phase prt 2	C9JFT68C	C9JFT68C	SM	2	1	4	LPU	LU			
C9JNFEA14503	Jupiter Feature 145 Degrees Phase prt 3	C9JFT68C	C9JFT68C	SM	2	1	4	LPU	MG			
C9JNSOU14501	Jupiter South Hemisphere 145 Deg Phase	C9JFT68C	C9JFT68C	SM	2	1	4	LPU	MH			
C9JNNOR14501	Jupiter North Hemisphere 145 Deg Phase	C9JFT68C	C9JFT68C	SM	2	1	4	LPU	LZ			
C9JNEQU14501	Jupiter Equatorial 145 Degrees Phase	C9JFT68C	C9JFT68C	SM	2	1	4	LPU	MA			

NIMS C9 DATA RETURN

Activity ID	Mode	Record Format	Wave-lengths	Record Time (sec)	PB Time (sec)	Sel of Tape (sec)	sBOT (Mbit)	Total Bits of Tape (Mbit)	Mode of Tape Cycle	Thold	Comp (4% ahead)	Total BTG (Mbtg)	Data Reduct Factor	Pass
ret														
C9JNAURRTB03	LM	R/T	408											
C9JNAURRTB04	LM	R/T	408											
C9HNSTRCAL02	LM	R/T	17											
C9JNAURRTB05	LM	R/T	408											
C9JNAUCAMB02	FM	LPU	126	312	308	1.90	1.92	4.333	0	2.39	0.7795	2.44	2	
C9NNRCRLT01	LM	R/T	252											
C9NNRCRLT02	LM	R/T	252											
C9CNANARR 01	LM	MPW	360	604	309	3.56	6.96	8.667	0	1.94	1.3761	2.59	2,3	
C9CNSKULD 01	LM	LPU	228	604	309	1.91	3.73	8.667	0	1.95	0.8671	2.20	2,3	
C9CNNOLAT 01	LM	LPU	228	649	329	2.03	4.00	8.667	2	1.79	1.0057	2.02	2,3	
C9CNVALSPC01	LM	LPU	228	404	209	1.29	2.49	8.667	0	1.75	0.6535	1.97	2,3	
C9CNVALHAL01	LM	LPU	228	1720	867	5.35	10.61	8.667	2	1.85	2.5643	2.09	2,3	
C9NGLOBAL01	LM	LPU	228	2887	345	2.13	17.81	8.667	2	1.65	1.1441	1.86	2	
C9GNDRKLIT01	LM	LPU	228	1753	248	1.53	10.81	8.667	0	1.53	0.8869	1.72	2	
C9JNGRS15601	SM	LPU	68	54	50	0.31	0.33	2.33	0	2.16	0.1405	2.19	3	
C9JNSOU15601	SM	LPU	68	54	50	0.31	0.33	2.33	0	2.14	0.1418	2.17	3	
C9JNNOR15601	SM	LPU	68	54	50	0.31	0.33	2.33	0	2.06	0.1473	2.09	3	
C9RNRMRING 01	FM	LPU	126	244	240	1.48	1.50	4.333	0	2.56	0.5670	2.61	3	
C9JNFEA15601	SM	LPU	68	54	50	0.31	0.33	2.33	0	2.27	0.1337	2.31	3	
C9NNOPCAL 01	LM	R/T	48											
C9JNFEA14501	SM	LPU	68	54	50	0.31	0.33	2.33	0	2.04	0.1488	2.07	3	
C9JNFEA14502	SM	LPU	68	54	50	0.31	0.33	2.33	0	2.05	0.1481	2.08	3	
C9JNGRS14501	SM	LPU	68	54	50	0.31	0.33	2.33	0	2.01	0.1510	2.04	3	
C9JNGRS14502	SM	LPU	68	54	50	0.31	0.33	2.33	0	1.96	0.1549	1.99	3	
C9JNFEA14503	SM	LPU	68	54	50	0.31	0.33	2.33	0	2.06	0.1473	2.09	3	
C9JNSOU14501	SM	LPU	68	54	50	0.31	0.33	2.33	0	2.01	0.1510	2.04	3	
C9JNNOR14501	SM	LPU	68	54	50	0.31	0.33	2.33	0	1.96	0.1549	1.99	3	
C9JNEQU14501	SM	LPU	68	54	50	0.31	0.33	2.33	0	2.04	0.1488	2.07	3	
Total												95.7822		
Alloc												98.3260		

RECAP OF C9 PLAYBACK EVENTS

The C9 orbit was unique for a number of reasons. It was the "largest" prime mission orbit in terms of duration and downlink bits. NIMS allocation for C9 was nearly 100 Megabits. In addition, during C9, playback was paused several times in order to record new observations on the tape. As a result the C9 playback process was significantly more complex than for any other Galileo orbit.

NIMS experienced one instrument software crash in C9 which resulted in the loss of one observation, C9INCHEMIS01. A portion of this data was returned to ground during playback because there were no opportunities to modify the playback table before the observation was sent down.

The Galileo main computer (CDS) experienced two significant problems in C9, one due to "overflowing" the multi-use buffer, and another involving continuous search mode for the tape recorder.

Compression of NIMS observations showed a clear relationship to distance from Jupiter, with observations inside 15 Rj compressing poorly and those outside 15 Rj compressing better than predicted. This caused playback to at times run ahead of schedule, and at times run behind.

There were 7 RDC ("record during cruise") events in C9. These permitted the recording of unique data on top of C9 encounter data that had already been played back. These events were somewhat costly, at something like 5 Mbits of downlink lost per event. During each one, the following steps were performed: Pause playback, slew to the tape location specified for recording, wait 15 minutes, record the observations, slew back to the point where playback was paused, and resume playback. Timing was critical, since a) if playback had not progressed as planned, we might write over encounter data that had not been played back, and b) if playback had progressed too far, then it might not be possible to reach the location for new recording before the time recording was to begin, causing loss of the new observation. All of the RDCs in C9 executed as planned.

RECAP OF C9 PLAYBACK EVENTS

To accomplish this, C9 departed from most orbits in abandoning the first recorded-first played back strategy. The following summary of the overall playback strategy was produced by playback coordinator Jeff Culwell in late April 1997:

The current strategy will have playback start on track 3. RDCs 1-4 will overwrite tracks 3 and 4. So there is only one pass across tracks 3 and 4. However, there is reasonable margin between the time when we playback data from tracks 3 and 4 and the time when we overwrite the data. The office and SPOT are aware that playback of encounter tracks 3 and 4 is a one pass plan, and adequate margin will be retained to prevent an overwrite before playback.

After completing the playback of tracks 3 and 4, playback will continue on tracks 1 and 2 for the first pass across this encounter data set. Playback will return RDCs 1-4 after finishing the first pass across tracks 1 and 2. RDCs 5-7 will overwrite RDCs 1 and 2 on track 3. There currently is plenty of margin between the time when we playback RDCs 1 and 2 and when we overwrite them. This margin is built into the playback plan.

After completing the playback of RDCs 1-4 on tracks 3 and 4, playback will continue with pass 2 of encounter tracks 1 and 2. All of track 2 will be available for 2 passes. After completing pass 2 on tracks 1 and 2, playback will return RDCs 5-7 on track 3.

This plan does not require any terminate/initiate commands during playback. There are no out of order recordings, and there are no special procedural issues with respect to SEQGEN or multiple files.

C9 Playback Events Timeline (04-30-97 to 09-13-97)

- 04-30-97: Playback table delivered with commands arranged to conform to NIMS C9 Playback strategy.
- 05-13-97: Internal trade of NIMS bits. SWG gives 15.76 Mbits to AWG.
- 05-30-97: Playback table update. To ensure safe recording of RDCs, the playback coordinator requests we reduce playback of the Jupiter thermal cylindrical map observations (C9JNTHRCYL03, 04, 06, 07). Wavelength coverage for these is reduced to 127 bands, and the saved bits are moved to fill out other Jupiter observations, principally the high phase observations in RDCs 6 and 7.
- 06-11-97: Playback table updates with minor refinements.
- 06-18-97: Playback table updates with minor refinements.
- 06-24-97: Final pre-uplink update. NIMS playback plan is slightly under allocation and 0.5 Mbits is given to UVS in recognition of their generosity in the past. It is discovered that C9JNFEA05704 recording will begin too close to the end of the tape to permit playback of the full observation; about 1/3 of it cannot be brought down.
- 06-25-97: Callisto close approach occurs at 13:48 GMT.
- 06-27-97: NIMS software crash at about 10:00 GMT affects recording of C9INCHEMIS01. Reload #4 restores function 4 hours later. Perijove occurs at 11:53 GMT.
- 06-29-97: Playback begins.
- 07-04-97: Playback paused for RDC # 1 (Calibrations). NIMS records a STRCAL and two observations of Jupiter aurora (C9JNAUCAMB01-02).
- 07-09-97: Playback table update. The following is from the memo produced for that date:
C9 playback has been eventful. Both SSI and NIMS under-compressed significantly during the first few days of playback, to the tune of some 10 Mbits, >60% SSI. Currently the best explanation is lots of noise. We had a close shave, barely completing playback of the observations that were scheduled to be overwritten by the first Record-During-Cruise (RDC). The next RDC is July 14, and there appears to be sufficient cushion to enable this to happen with less nail-biting. It proved to be impossible to delete the commands to play back the observation INCHEMIS01, which was to be taken at the time when the NIMS clock stopped (prior to software reload 04). The SSI undercompression left them in a painful position of having to delete commands to return some high priority images. Since AWG was retaining about 2 Mb in reserve, and since our AWG observations are fully selected from here on out (exception: we are returning 127 of 253

C9 Playback Events Timeline (04-30-97 to 09-13-97)

wavelengths for the JNTHRCYL observations), we decided to build some good will and transfer our share of the 2 Mb to SSI for this week's update. We returned our initial SWG observations without thresholding. This probably contributed to the problem with our compressions. Therefore in this update thresholding is commanded for 9 observations: INHRSPEC01, INNNSPEC01, INCHEMIS04, INCHEMIS06, CNGLOBAL01, CNNOLAT_01, CNVALHAL01, GNGLOBAL01, ENCLIPSE01. In no case are we returning part of an observation with thresholding, and part without.

- 07-14-97: Record during cruise #2 ("Dusk magnetotail #1). NIMS returns RCTCAL. First CDS anomaly results in stoppage of playback.
- 07-15-97: Playback table update window. The following is excerpted from a memo produced at that time:
As some of you know, Galileo stopped returning science data yesterday morning. This was a new variety of "anomaly." The multi-use buffer filled to capacity, and locked up. Fortunately CDS folks were able to diagnose the problem and uplink a patch in good time. We lost only 15 hours = 3.8 Mb of downlink capability. Tal Brady deserves a thank-you. The problem was traced to RRCC processes, which permit us to get continuous MWG data while the tape recorder is running up and down, recording image data. That process is permitted to place more than the standard maximum number of VCDU's in the MUB. There were apparently a few incomplete data packets in the MUB to start with. The system locked up (stopped processing) because there were more VCDU's than the software was equipped to cope with. This is another case that probably will not arise again. We were asked to identify what we would cut (using 2 scenarios) in order to permit the next RDC to occur as planned. The more optimistic case had us losing 4 Mbits, which we would have gotten by reducing wavelength coverage on the JNTHRCYL observations. Fortunately at the moment it appears that no such cuts will be required. The lost 3.8 Mb will come from the office margin. For this week's normal update cycle, two changes were required. In order for the two ENCLIPSE observations to be usefully comparable, they will both be returned without thresholding. One is down already, the other will be returned in pass 2. Secondly, we were about 0.9 Mb over our allocation due to pass 1 under-compression. To bring this into line the final Callisto observation was truncated in pass 2 playback (VALHAL01) by 307 seconds. It is expected taht this wll be added back in when office margin bits are released later on.
- 07-22-97: RDC #3 ("Dusk Magnetotail #2").
- 07-23-97: Playback table update - see following memo from that date: After running significantly behind schedule for much of the early data return, improved compression performance has moved us ahead of schedule by more than a day. We

C9 Playback Events Timeline (04-30-97 to 09-13-97)

are currently performing the RDC 3; playback is paused in order to do this. Playback will resume with CNANARR_01, which was the second observation recorded by NIMS in C9. The first (CNGLOBAL01) has been returned in its entirety. The remarkably consistent degradation of NIMS compression on performance inside Ganymede's orbit in C9 is most probably due to radiation noise. In today's SSO meeting EPD/HIC reported that radiation around perijove was a factor of 2-3 times more intense than was observed earlier in C3. SSI reported that they were seeing noise levels 5-6 times higher than they expected. Together with the NIMS performance it seems almost certain that unusually high radiation was the cause for our low compression. On Monday a 4-hour portion of our DSN-43 downlink was taken over by Mars Pathfinder, in their efforts to re-establish communication. While our playback was paused we lost about 2.5 Mb of capability. This was covered by SSO office margin, so no cuts by instrument teams will be needed. However, if MPF has its mission extended through August, and if they were to receive all the downlink that they want, it would cut more than 45 Mb from Galileo C9 playback capability. This worst-case scenario is unlikely but at the moment it is unclear whether Galileo will have to take further hits to subsidize MPF downlink. We lost 94 frames, mainly real-time data, due to Monday's event.

- 07-30-97: Playback table update-see following memo from that date: Due to significant overcompression by SSI and also (possibly) by NIMS, playback is about 2 days ahead of schedule. This has happened at an unfortunate time. Playback reached the end of segment 13 before segment 14 could be uplinked, and as a result playback paused at about 9:30 this morning. A one-way DSN63 pass is being converted to 2-way, and the new segment will go up later today. This will result in the loss of over 1 Mb of capability, which will be subtracted from our allocations. The impact should be minimal for us. The observations CNVALHAL01 and HNDARK_01 should be on the ground now, followed later by GNGLOBAL01. It appears that we lost approximately 1.77 Mb (gaps) during the first pass of playback. We cannot go back to pick up lost bits now since the data has now been recorded over. However, we will have another shot to pick up missing data for our pass 2 Callisto and Ganymede observations.
- 08-07-97: RDC #4 ("Apojove A and B"). NIMS returns RCTCAL.
- 08-12-97: Playback table update window. See following memo from that date:
The C9 "process" shifted from snoozing to streaking during the past 48 hours. SSI was up against a tough choice. Due to data losses and errors in commanding they need about 7 Mb to bring down their key Callisto data. They were facing cuts in their calibration observations that would have only gotten them halfway there. As a result

C9 Playback Events Timeline (04-30-97 to 09-13-97)

they pressured the office to release office margin to help them out. Since we now have experience with the RDC process it was decided to release 10 Mb of margin, retaining 4 Mb for the coming weeks. The 10 was split between NIMS and SSI. SSI also got 2 Mb from other sources. In the meeting a trade was proposed. Since NIMS is in good shape, we offered to trade 2 Mb of our 5 for an equivalent amount in E11, where we are severely squeezed for downlink. The trade involved only office margin. After taking the offer to a telephone conference, they came back to dicker. We gave them 2.5 in exchange for the first 1.5 Mb of their share of E11 office margin. This is a good deal for us. After the trade and after projected gap filling requirements, and fully selecting all remaining NIMS data, we still have roughly 2.5 Mb more than we need in C9. We can consider replaying an entire Callisto observation without thresholding to sop up these bits. In E11, where we are squeezed, it is likely that we will receive about 3 Mb of office margin (ours and theirs), above our allocation.

- 08-14-97: A severe data loss occurs due to problems at DSN stations 14 and 43. We lose > 50% of C9JNAUCAMB02. This is not recoverable.
- 08-20-97: Playback table update. Seven sets of commands are entered to fill gaps in C9GNGLOBAL01 and C9GNDRKLIT01. Also, full spatial coverage is restored for C9CNVALHAL01.
- 08-23-97: RDC #5 ("Dawn Magnetotail").
- 09-03-97: RDC #6 ("AWG High Phase #1"). NIMS records Jupiter observations at phase 156 degrees.
- 09-08-97: Playback table update. See memo from that date (below): Although the playback process went into limited search mode, and was terminated, over the weekend, the impacts for NIMS will apparently be nil. A DSN station outage 10 hours long began during playback of the 156 degree phase Jupiter observations that were recorded during cruise last week. It will be possible to replay these observations however. An unrelated problem occurred to send the tape into limited search. The time of the next segment to be played back was later than anything existing on the tape (corresponding to RDC #7 playback; these observations will be recorded Wednesday). The tape would look for the nonexistent time forever if playback was not terminated. The fact that playback was terminated permits us to send up new commands to playback the remaining RDC 6 data, as well as the upcoming RDC 7 data. The impact of these events was the loss of a considerable amount of realtime data. None of this was NIMS data, however.
- 09-10-97: RDC #7 ("AWG High Phase #2"). NIMS records Jupiter observations at 145 degrees phase.
- 09-13-97: Playback is terminated. All commanded NIMS data from RDC #7 is received before termination.

NIMS Anomaly Report - C9 Sequence

Two types of anomalies occurred during the C9 Encounter: The NIMS processor halted once and NIMS realtime PCT data were lost from the MUB. The processor Halt was recoverable, but the PCT data were permanently lost.

Detectors 3 and 8 are still not functioning and are expected to be lost for the rest of the mission.

Processor Halts

Facts:

0. Between the start of the C9 Encounter and the single Halt NIMS returned 13 realtime observations and successfully reloaded NIMS from CDS 3 times. The NIMS SCLK engineering channels were continuously monitored for detecting a NIMS processor halt.

1. A NIMS processor halt was detected at SCLK 04017644 from the analysis of the NIMS SCLK engineering telemetry channels S-1931 and S-1932. This occurred about 2 hours before C9 perijove. A fourth NIMS reload occurred about 4 hours and 10 minutes later. No more Halts occurred during the rest of the encounter. A table of the NIMS engineering SCLK values near the time of the Halt follows (Note that the NIMS engineering SCLK value is normally 2 Rims behind the CDS SCLK Rim when it is reported):

NIMS SCLK	CDS SCLK	CDS SCET	GROUND ERT
04017478	04017480.40	1997-178T07:15:50.189	1997-178T08:19:50.149
04017644	04017665.05	1997-178T10:22:30.182	1997-178T10:58:59.739
04017644	04017882.58	1997-178T14:02:30.174	1997-178T14:58:24.454
04018045	04018047.43	1997-178T16:49:10.168	1997-178T17:38:49.493

2. Only one NIMS observation was lost due to this Halt: C9INCHEMIS01.

Timing:

SCLK	Comments
04017665.05	Anomalous 04017644 SCLK reported
04017679:00	Start of NIMS observation C9INCHEMIS01
04017683:79	END of NIMS observation C9INCHEMIS01
04017755:00	C9 Perijove
04017887:06	Start of NIMS CDS Reload04 (#4)

NIMS Anomaly Report - C9 Sequence

Summary:

1. One NIMS processor halt occurred during the C9 Encounter.
2. Continuous monitoring of the NIMS SCLK channels led to a rapid identification that NIMS processor halts had occurred.
3. The 10 NIMS software reloads from CDS greatly lessened the potentially disastrous effects of the C9 Halt and protected the NIMS observations in the encounter.
4. Frequent NIMS realtime observations, both science observations and instrument health monitoring observations, verified that NIMS was functioning normally at various time points throughout the encounter.
5. The error avoidance measures applied to the C9 Encounter as determined in the analysis of the processor halts that occurred in earlier orbits were shown to be the proper response for dealing with the inevitable occurrence of radiation-induced NIMS processor halts.

Autobias Test

During C9 Cruise (B-load), we tested the effects of turning off the autobias on all NIMS detectors. This is part of the on-going effort to understand what might be wrong with detectors 3 and 8 and how they might be made operational. The autobias off test was done in two C9B NIMS calibrations: the RCT Calibration and the PCT Calibration. In the C9B NIMS RCT calibration, autobias was turned off for the entire RCT Cal, looking at both dark sky and the RCT for detectors 7-17. In the C9B NIMS PCT calibration, autobias was turned off for the last 2 Rims of the PCT Cal, looking at the PCT for detectors 1-10. The RCT calibration data were returned successfully, but the PCT calibration data were lost in a CDS MUB overflow caused by SSI.

Autobias was turned off using the 37MPT command. The 37MPT command is similar to the one used in G8NNDDET3AN01. For the RCT calibration, 37MPT,...,1,192,192 was commanded at 04041119:00; modify byte 1 of PTAB-A with 192, modify byte 1 of PTAB-B with 192. The 37IOP at RIM 04041146:84 put NIMS into SAFE Mode and loaded a new set of PTABs that have Autobias ON.

192 = 11000000

Byte 1 contains

- | | |
|-------------------------------|----------------------------------|
| 1) (M) Mirror Operation | Bit 7 |
| 2) (A) Autobias | Bit 6 |
| 3) (S) Grating Start Position | Bits 0-5 |
| M = INT(192/128) | = 1 ==> (Mirror Scan ON) |
| A = INT(192 - M*128)/64 | = 1 ==> (Autobias OFF) |
| S = INT(192 - M*128 - A*64) | = 0 ==> (Grating Start Position) |

Turning off the autobias did not make detectors 3 and 8 function in any nominal fashion at all.

NIMS Archived EDRs and CUBEs

The NIMS data are stored in EDRs (Experimental Data Records) produced by JPL-MIPS (Multi-mission Image Processing System). The NIMS Phase2 EDR is described in the NIMS EDR SIS (Software Interface Specification) Number 232-08. The same information is available in both human and machine-readable form in the PDS (Planetary Data System) structure files EDRHDR.FMT and EDRDATA.FMT in the LABEL directory of the NIMS EDR CD-ROM. Each observation has at least one EDR. The EDR file name is derived from the 12 character observation name plus a single character which allows an observation to be broken up into multiple EDRs. The EDRs have a Vicar label, followed by a PDS/ISIS label, binary header records and the data records. For archiving on CD-ROM, the Vicar labels are detached from the EDR (but kept separately on CD) and the file is renamed so as to conform to the 8.3 DOS file-naming convention. The 8.3 EDR name consists of a 2 character orbit identifier, a single character target identifier, a 3 digit counter and the suffix EDR. For example, the MIPS EDR G1GNGLOBAL01A.1 becomes G1G001.EDR. More information about NIMS EDRs can be found in the VOLINFO.TXT file on the EDR CD-ROM.

NIMS EDR data typically require considerable processing before they are readily amenable to science analysis. Normally, the EDRs are processed into spectral image cubes by one of several sets of software. MIPS systematically processes the EDRs into CUBEs (band sequential image files) and MASKs (spatial/spectral summary images) which are distributed on the NIMS CUBE CD-ROMs. Information about the structure of the NIMS CUBEs can be found in the VOLINFO.TXT file on the CUBE CD-ROM. The name of the CUBE file is derived from the input EDR filename. For archiving on CD-ROM, the CUBE files are renamed so as to conform to the 8.3 DOS file-naming convention. The 8.3 CUBE name consists of a 2 character orbit identifier, a single character target identifier, a 3 digit counter, a single character cube-type identifier, a single character data unit-type (DN, radiance or IOF) and the suffix QUB. For example, the MIPS IOF radiance cube for the observation G1GNGLOBAL01A.1 (G1G001) becomes G1G001CR.EDR. The summary MASKs on the CD-ROM have the same 6 character name as the EDR name with the suffix JPG or GIF to denote its graphics format.

Data Format

All data files have PDS labels. The raw data (EDR) file contains time-sequential, 16 bit integers. Reduced data files (TUBES and CUBES) may be viewed as images or spectra. They contain VAX real numbers, are band sequential (BSQ - the images are stacked in band order) and have geometry information appended as backplanes after the last NIMS band.

Data Types

Mask files contain summary images (3 band BSQ) and spectra of up to six selected regions that provide a quick indication of data location, data quality and spectral content. A Guide to understanding the NIMS mask is available.

Cube files contain data that have been projected and resampled. The core data are BSQ - spatial in the first two dimensions, and spectral in the third. Cubes of the satellites are projected in point-of-view, and, with few exceptions have no photometric correction applied. Cubes of Jupiter are (generally) projected as simple cylindrical. Cubes of Europa, Ganymede, and Callisto have been despiked. The cubes are available both in radiance and I/F (intensity divided by flux) form.

Tube files contain data in (almost) time order and normally have a NIMS-related 20 pixel spatial dimension (20 x n or n x 20). Projection coordinates are contained in backplanes, but the data have not been resampled. The data are in units of radiance and no despiking has been applied. All data in cubes are also available in tube form. Some data (such as spatially undersampled data) appear in tube form only.

A spike file contains a list of pixels that have been identified as spikes, but not replaced, in the tube. Spike files can be used to remove spikes from both tube and EDR files.

EDR files contain the most primitive form of the data available. They should be used only for advanced data analysis. The format is complex and the files do not form images or spectra without prior processing.

Data Labels

A data label (PDS form) is attached to the front of each file (except masks, which have an attached VICAR label and a detached PDS label). The labels are in ASCII keyword=value format and contain pointers to various data objects in the file, descriptions of the data objects and descriptions of the observation associated with the file. A history object in similar format follows and describes the processing steps that produced the file. Much of this information is necessary for understanding and viewing the cube. In particular, the label contains the offset to the cube, the dimensions of the cube, axes labels, and explicit wavelength information.

Data Access

Software for processing this data is called ISIS and is available for DEC VAX VMS, SUN Solaris, DEC Alpha Digital Unix, Silicon Graphics Unix and PC LINUX systems. The Unix versions are available from the USGS Astrogeology team. Images from NIMS cubes and tubes can be viewed with any image display program which allows an offset from the beginning of the file to the selected image. Packages tested include ISIS, VICAR, ENVI, SAO IMAGE, and NASAVIEW. ISIS and ENVI (and soon NASAVIEW) additionally display spectra. The ISIS viewer is named CV (UNIX) or QL3 (VMS).

Labels may be displayed with some editors (eg DOS edit), and with most "type" and "search" functions. Some editors do not recognize the PDS line termination conventions. The label may be listed by the ISIS function LHLIST (VMS) or LABEL (UNIX).

Software for converting EDRs to cubes exist in both ISIS (DEC VAX VMS) and VICAR (DEC Alpha VMS) versions only. A primitive list of values in an EDR may be obtained with the program EDRDMP2.

Understanding the NIMS Mask

The NIMS mask is designed to provide a quick summary of the contents of a NIMS data cube (or tube). It displays a view of both the spatial and spectral content of the data.

The mask has four regions. Starting from the upper left and proceeding clockwise: a spatial display; six or fewer representative spectra; annotation; and a spectral histogram.

The spatial display of an observation which has been projected and resampled (a cube) has a maximum size of 600x600 pixels. This is overlaid with surface coordinates and is embedded in a 700x700 grid of pixel coordinates. It is accompanied by two 1-dimensional histograms describing the raw image and the image stretched for display. The data image can range from a simple combination of up to 3 NIMS bands displayed in the RGB planes, to complicated arithmetic functions of NIMS bands displayed in the RGB planes. (The formulas appear as annotation below the histograms.) The graphics directly below the image show the input and output data histograms for the three color planes. The "shortest" color for each bin displays in front. The image also contains from one to six numbered rectangles, which show the from which averaged spectra (displayed on the right) were taken.

The spatial display of an observation in time sequence (a tube) is a graphic showing a footprint of the observation over a grid of surface coordinates on the target body. Numerals 1-6 on the graphic mark the locations of the average spectra displayed on the right.

The spectra to the right of the image may display either BDRF or radiance (or both). If both are displayed, then a vertical "radiance fence" line will appear where the breakpoint occurs. This permits display of both atmospheric data, which have significant reflectance and thermal components, and I/F satellite surface data which have strong absorptions at longer wavelengths (such as water spectra.) The spectra are labelled with wavelength in microns and location in both pixel and latitude-longitude space.

The annotation provides information about the observation, including its name, a brief description, its geometry, instrument and projection parameters. TCA is the time from Galileo's closest approach to the target body.

The 2-dimensional spectral histogram in the lower left corner shows the number of pixels at a given radiance for each wavelength. If a surface contains spatial mixtures with significantly different spatial fractions for several components, the spectra of the components will be evident in this display.